

ART *in* FURNITURE

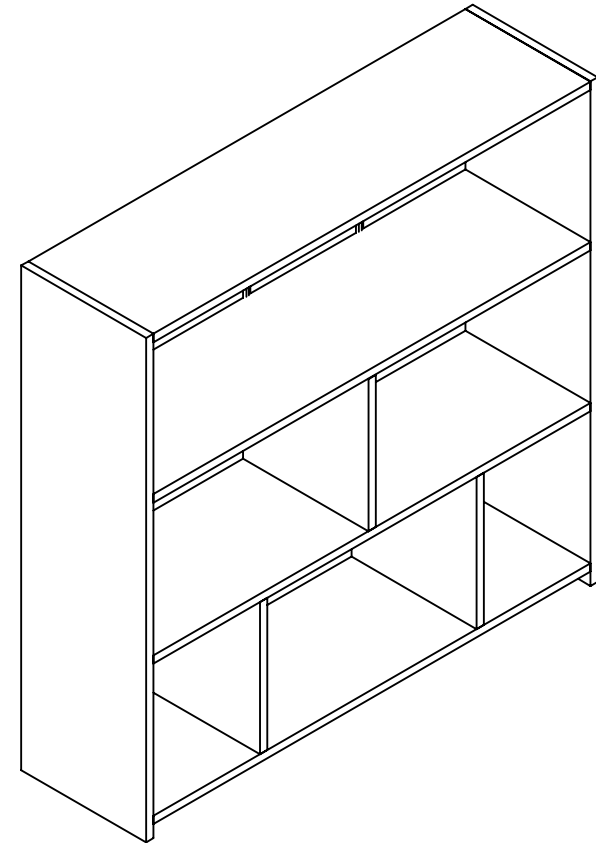
"Creative Solutions for Your Home"

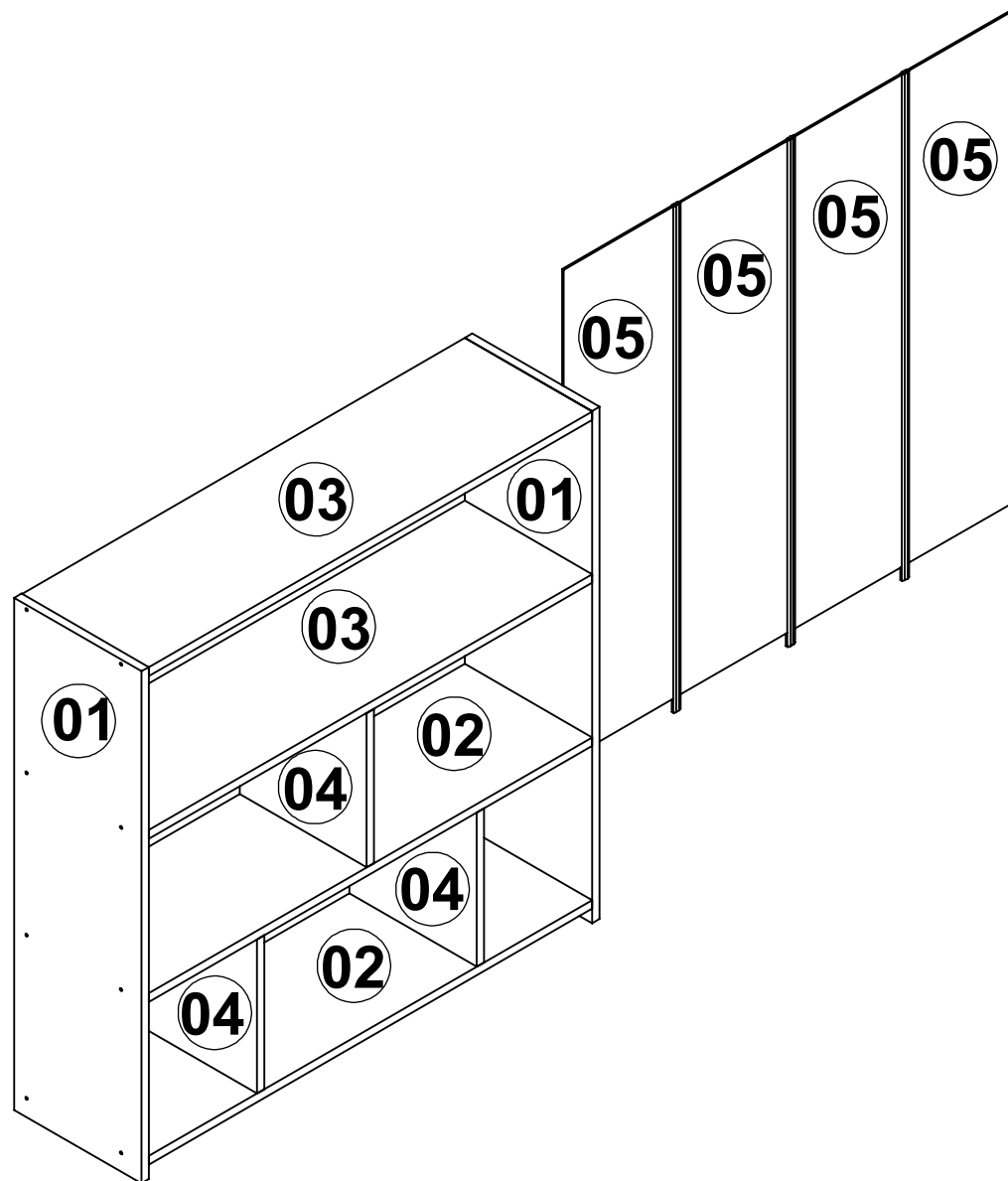


Thank you for choosing Art in Furniture!

We're thrilled to have you as a customer and to be part of your home.
Your trust means the world to us, and we hope you'll think of us for future home furnishing needs.
Your feedback is incredibly valuable as we continue to design products that bring your dreams to life.
Visit: <https://artinmoveis.com.br/en/home-english/> to share your experience with us!

ORGANIZATIONAL SHELVING



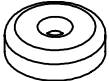
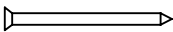



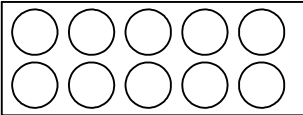
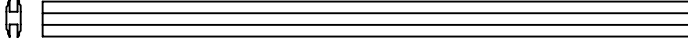
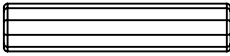
COD	DESCRIPTION	DIMENSIONS	QTY
01	SIDE	35 7/16"X 10 1/8"X 5/8"	02
02	LOWER SHELF	35 7/16"X 10 1/8"X 5/8"	02
03	UPPER SHELF	35 7/16"X 10 1/8"X 5/8"	02
04	DIVIDER	10 11/16"X10 1/8"X5/8"	03
05	BACK	34 1/16"X8 15/16X1/8"	04

IMPORTANT: PLEASE READ THE INSTRUCTIONS CAREFULLY BEFORE ASSEMBLY.

NECESSARY TOOLS:



A		FOOT	04
B		NAIL 10X10	40
C		SCREW \varnothing 3,5x40 CC	16

D		STICKER 12MM	16
E		BACKING CONNECTOR 865 MM	03
F		WOOD DOWEL \varnothing 6X30MM	12

RECOMMENDATIONS:

- 01 – Carefully check all parts before starting assembly.
- 02 – We strongly recommend assembling this product by following the steps provided in this Instruction Manual.
- 03 – It is the assembler's responsibility to ensure that the furniture is properly assembled according to the instructions.
- 04 – Make sure all bolts, nuts, and screws are securely fastened, but be careful not to overtighten them.

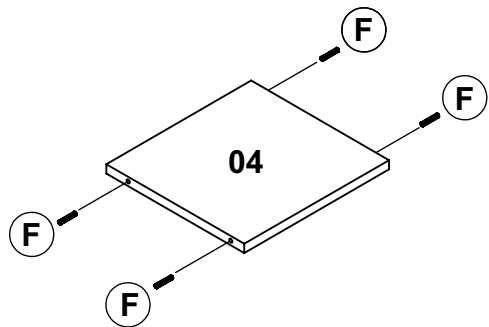
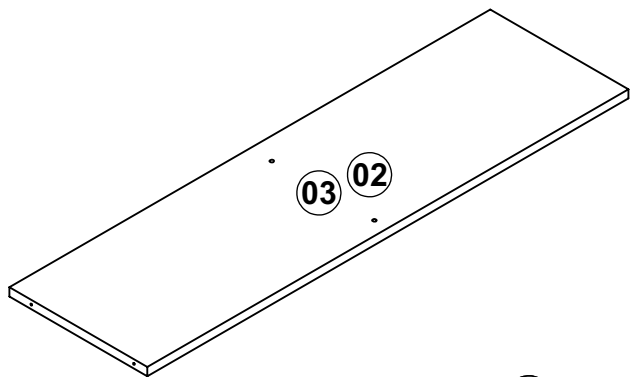
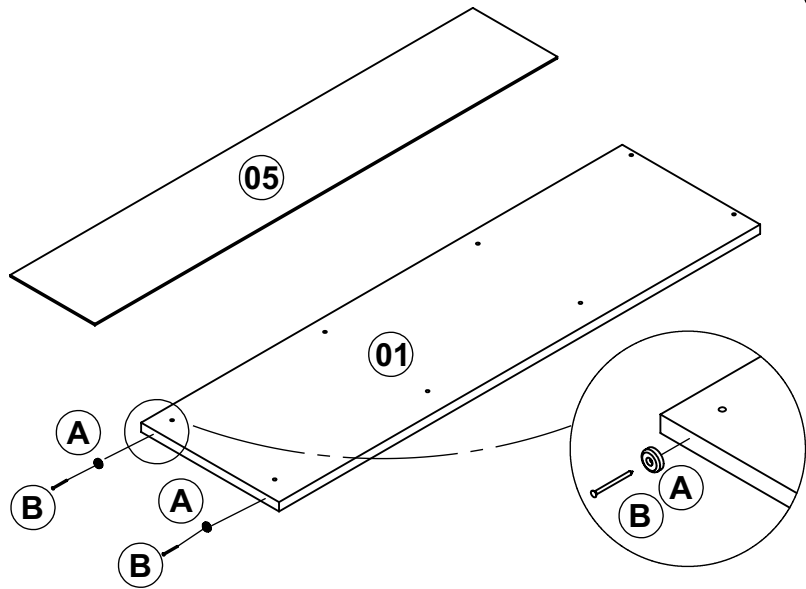
CLEANING:

- 01 – Wipe with a cloth slightly dampened with water.
- 02 – Avoid using chemicals or abrasive cleaners.

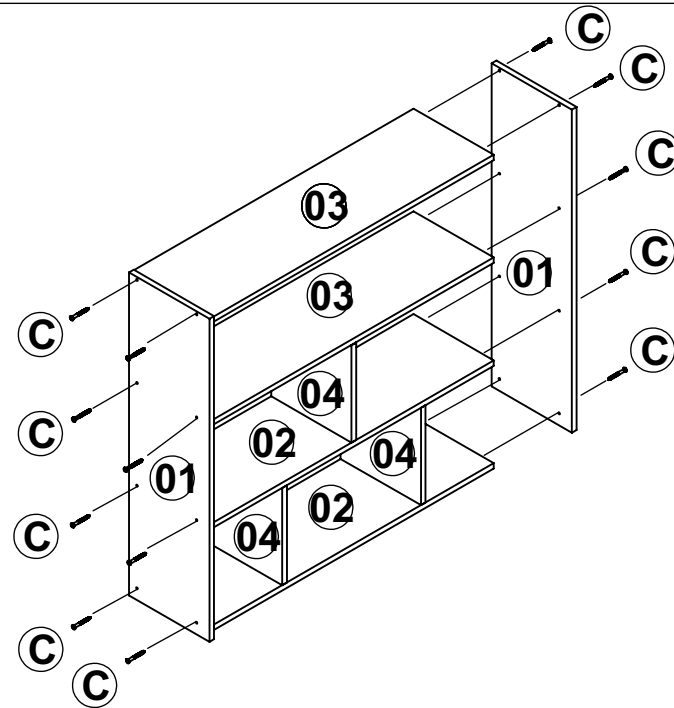
WARNINGS:

- 01 - Keep the product away from open flames and other heat sources, such as electric or gas heaters.
- 02 - Do not use the product if any parts are broken, torn, or missing. Only use manufacturer-approved replacement parts.

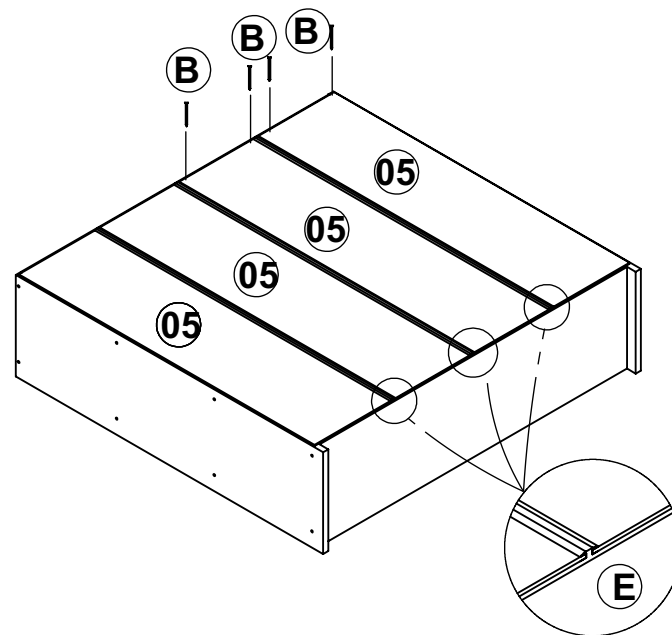
01



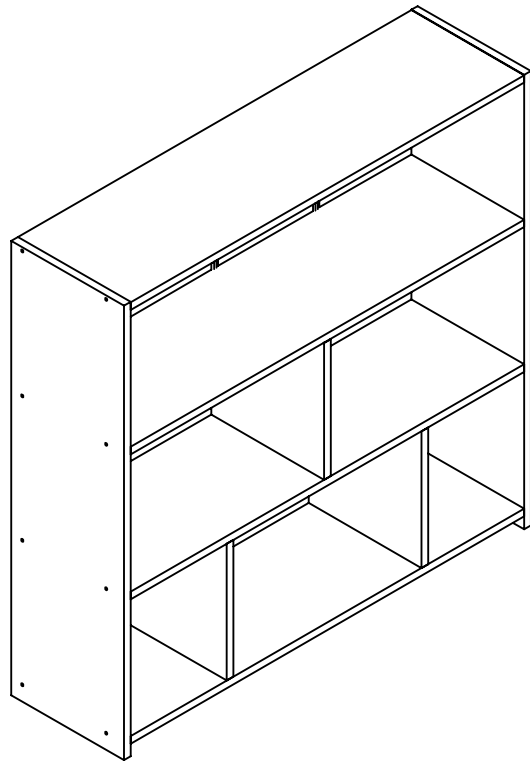
02



03



04



15 lbs.

15 lbs.

15 lbs.

15 lbs.

MAXIMUM WEIGHT CAPACITY: 60 lbs

05

