

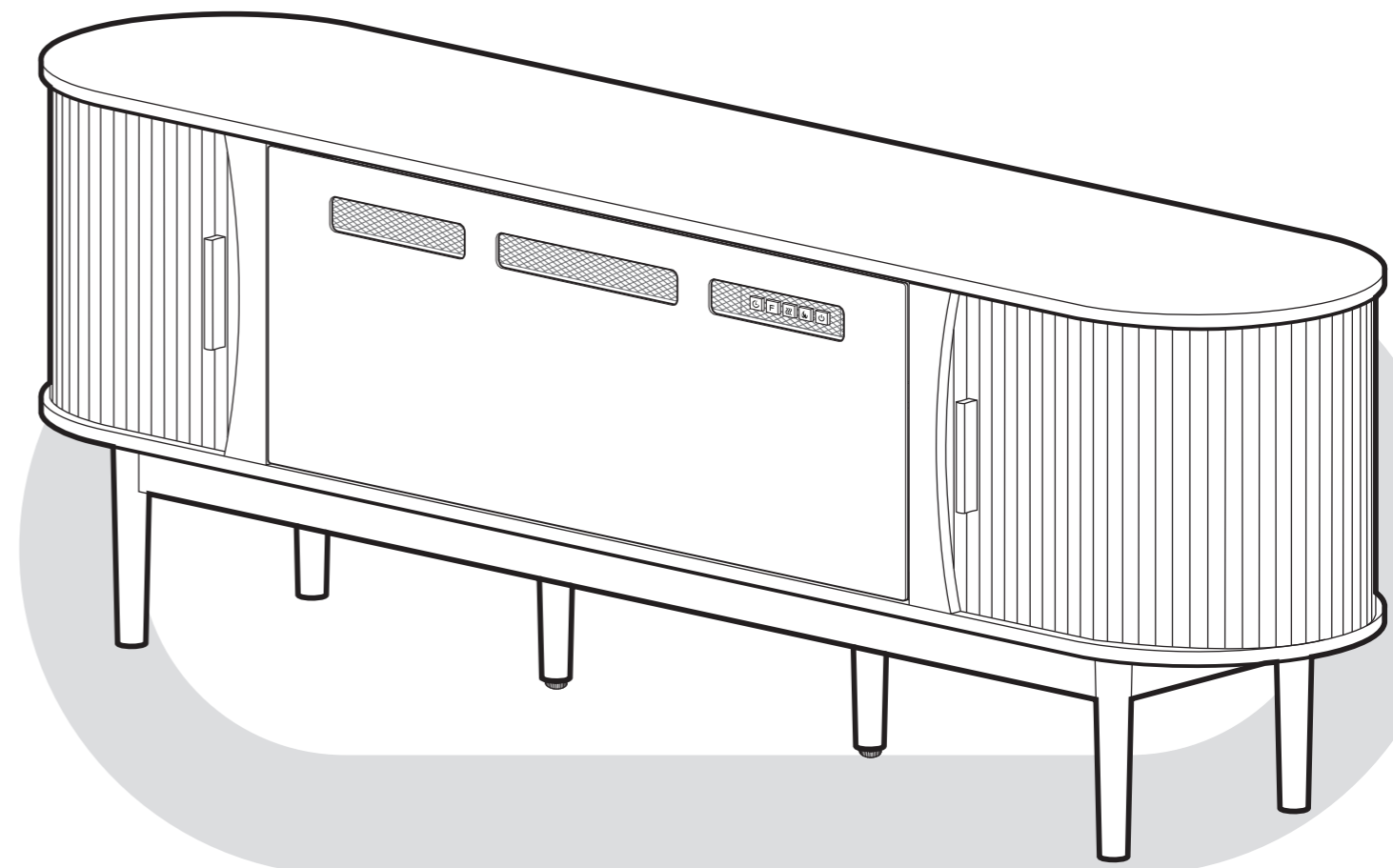
Get in Touch?

✉ support@bsservicehome.com

TV STAND

Model: DC-TS03

ASSEMBLY INSTRUCTIONS



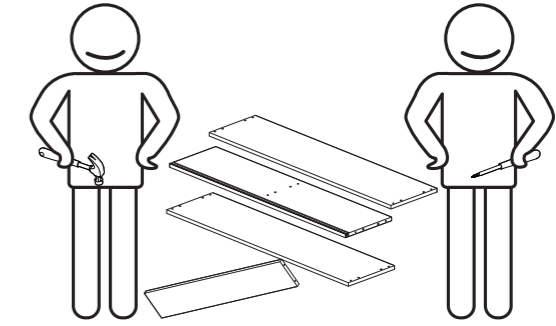
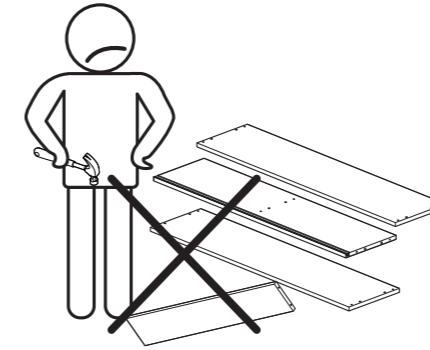
Manufacturer: Shenzhen Guiyang Network Technology Co., Ltd

Address: 1404K3, East Block, Shengtang Commercial Building, Futian District, Shenzhen, China

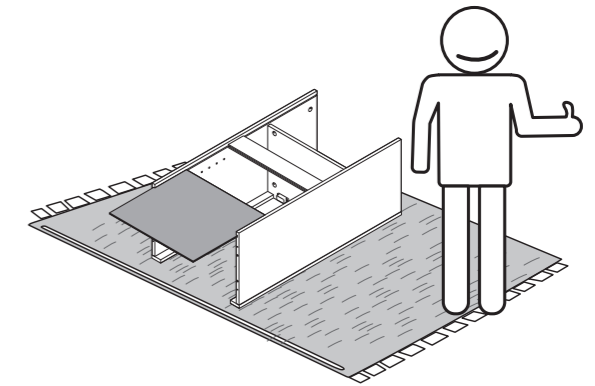
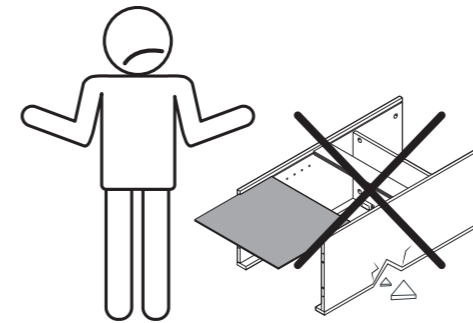
Made in China Rev_1.4_EN

24/7
Service

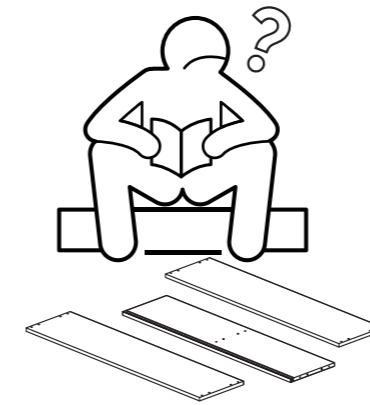
Any other questions, contact us via **email: support@bsservicehome.com** We provide 24/7 online service with dedicated one-on-one expert support for all your inquiries.



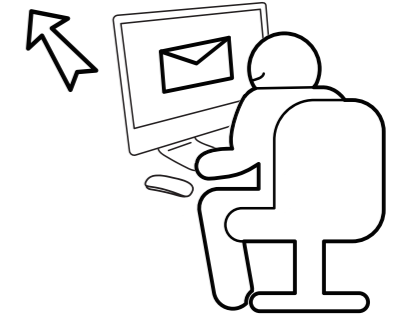
We recommend at least 2 people for the assembly.



To prevent any damage during assembly, place a mat under the pieces.



support@bsservicehome.com

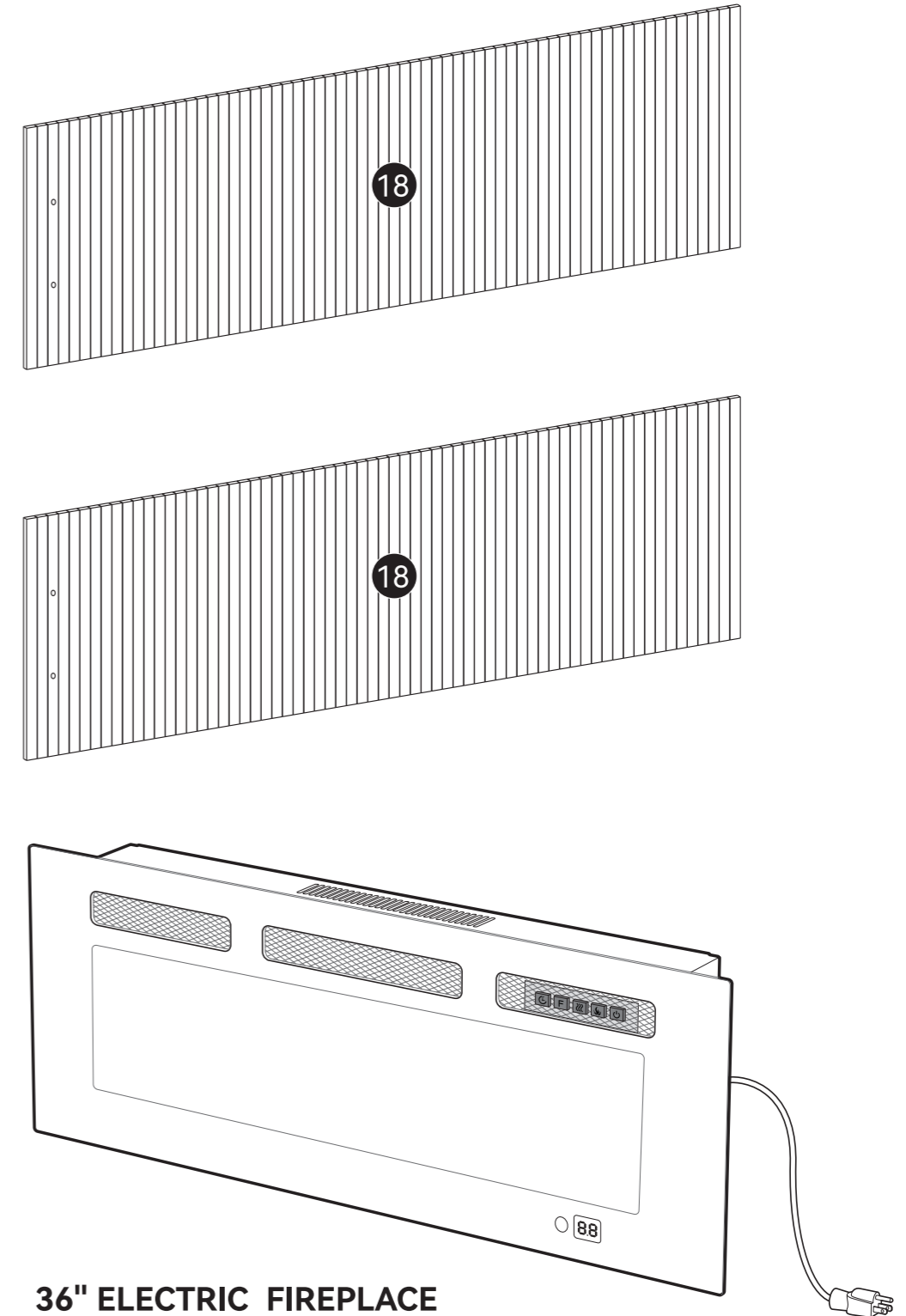
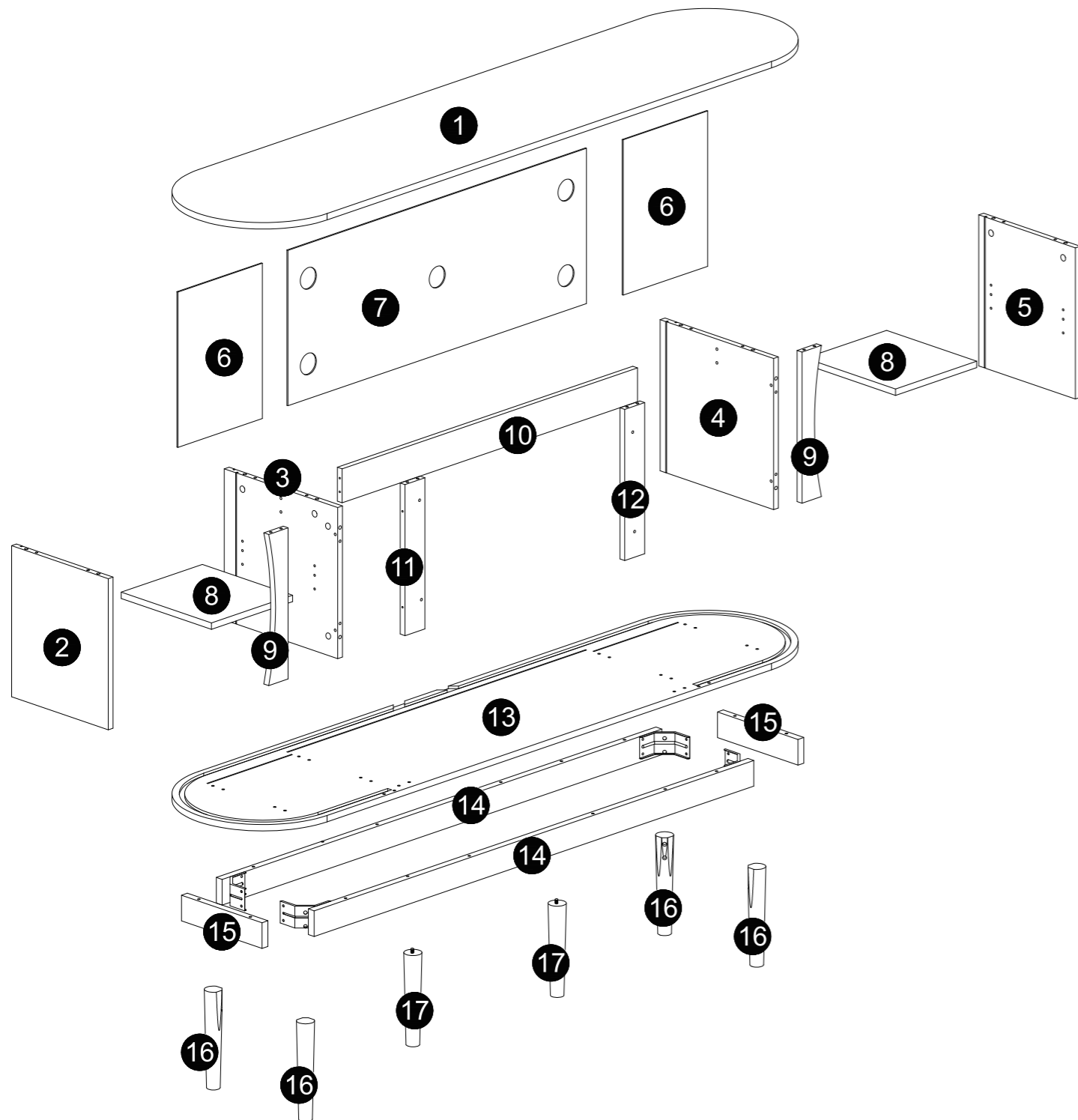


**Any questions concerning assembly, contact us
via email: support@bsservicehome.com**

PARTS DIAGRAM



Check if all parts and hardwares are included. Contact us via email: support@bsservicehome.com if there is any part missing or damaged.



36" ELECTRIC FIREPLACE

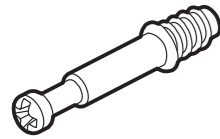
The fireplace is delivered in a separate carton (Box 1).
Wait patiently for two cartons to be arrived before assembling.

HARDWARES

SPARE PARTS



The spare parts are the additional parts provided in case of missing or damaged ones. Keep the spare parts and tools for future use.



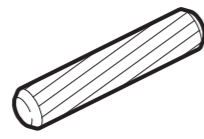
M6x35mm

A x 12



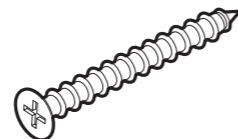
M15x10mm

B x 12



Ø6x30mm

C x 40



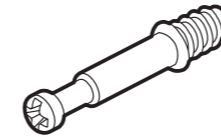
M4x35mm

D x 16



M4x10mm

E x 4



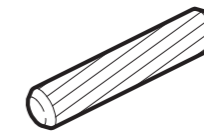
M6x35mm

A x 1



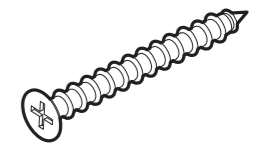
M15x10mm

B x 1



Ø6x30mm

C x 4



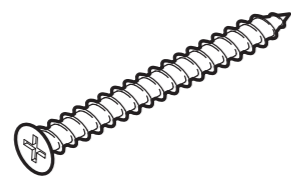
M4x35mm

D x 1



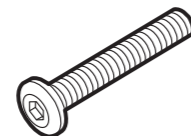
M4x16mm

F x 12



M4x50mm

G x 12



M6x35mm

H x 8



Ø16xØ6.4x1.0mm

I x 8



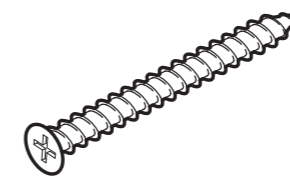
Ø10xØ6.4x1.8mm

J x 8



M4x16mm

F x 1



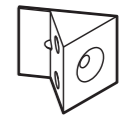
M4x50mm

G x 1



M4x14mm

K x 2

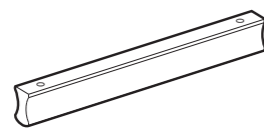


S x 1

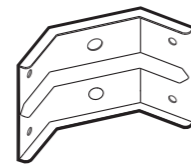


M4x14mm

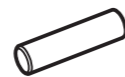
K x 24



L x 2

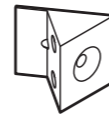


M x 4

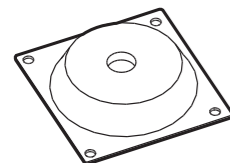


Ø5x25mm

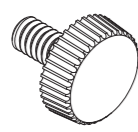
N x 8



S x 12

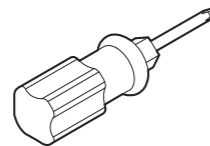


T x 2

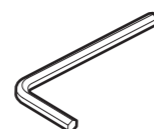


M6x20mm

W x 2




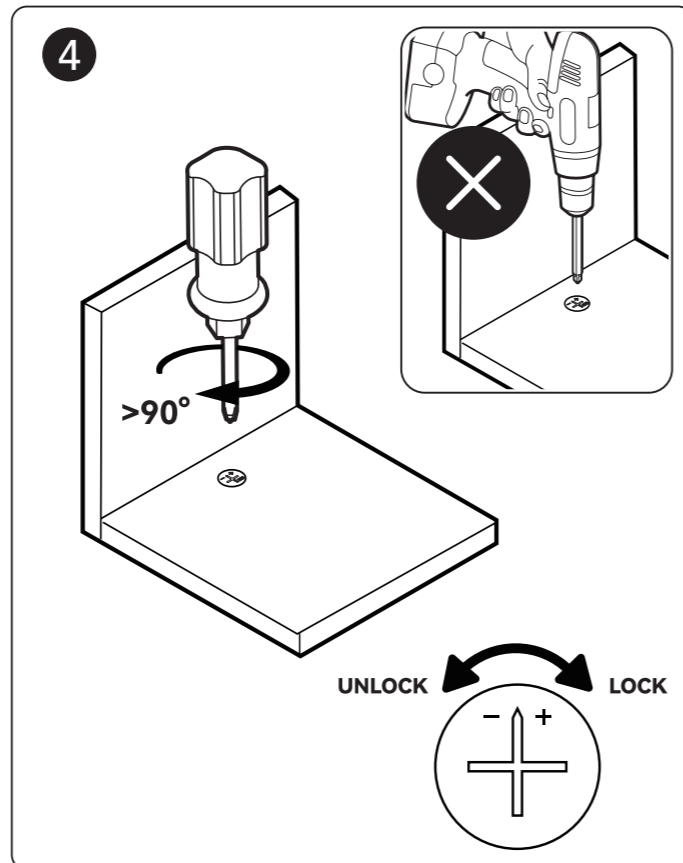
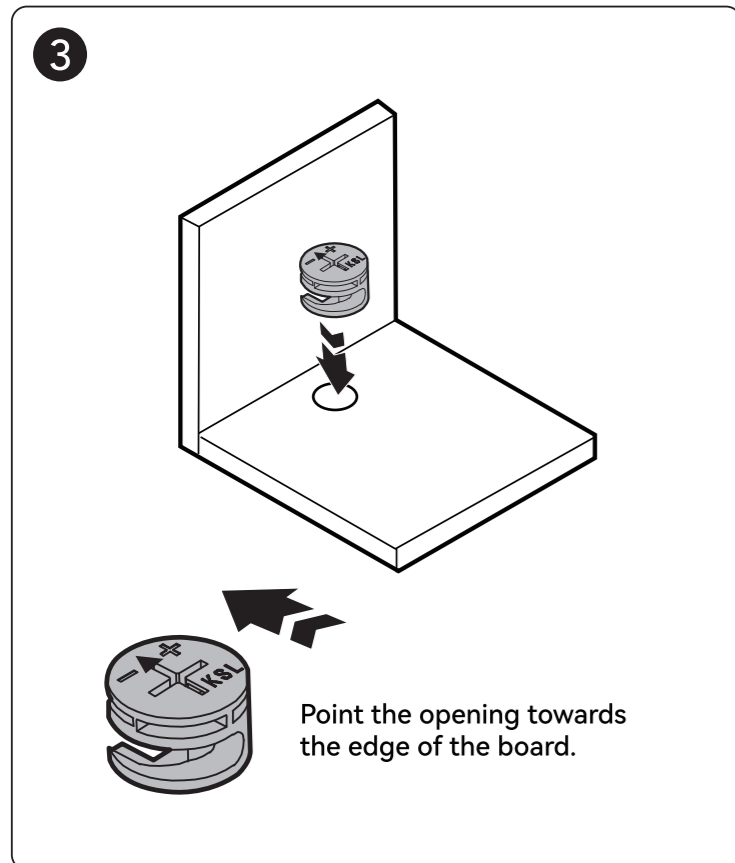
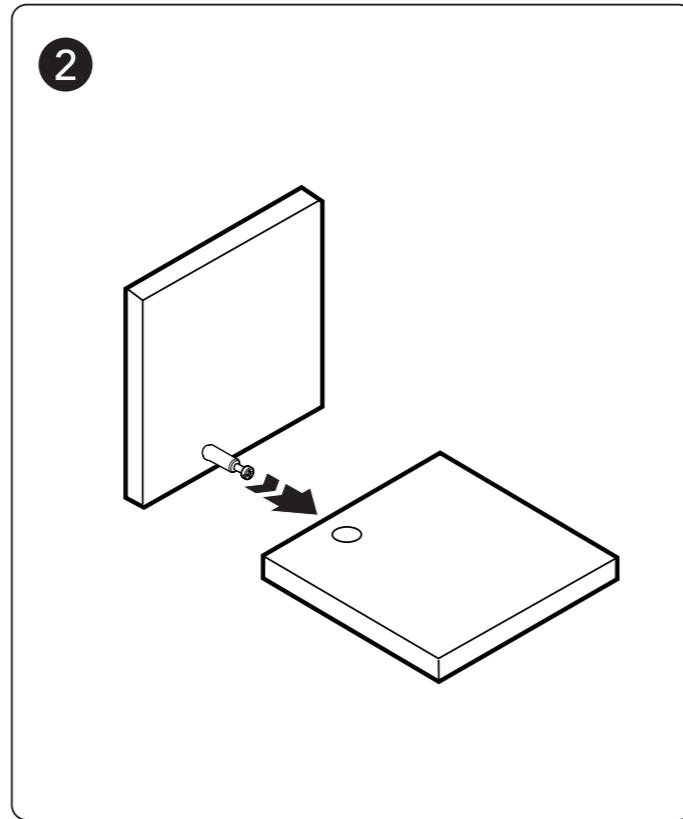
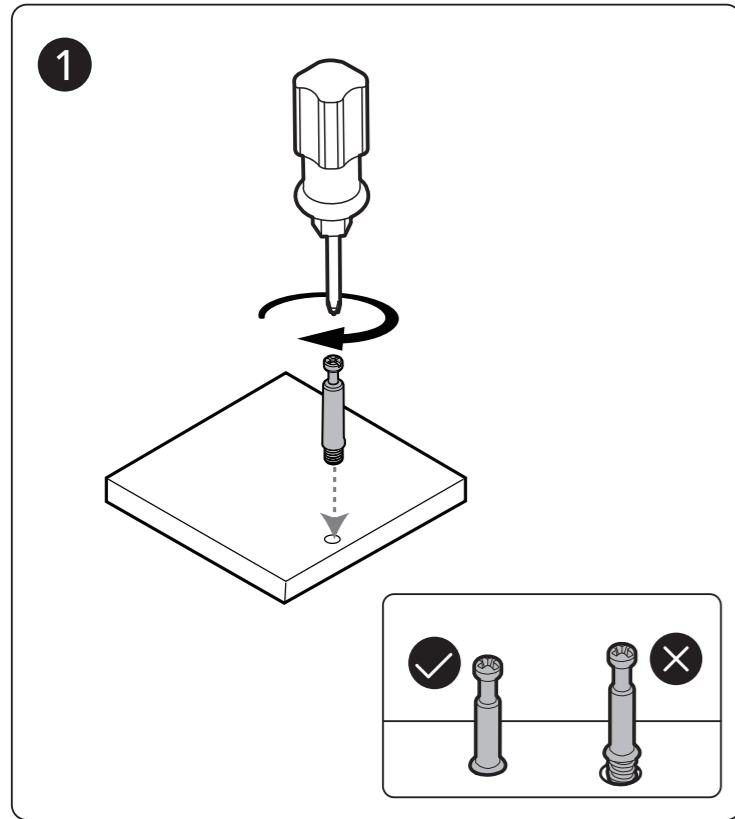
x 1



x 1


CAM LOCK FASTEN SYSTEM

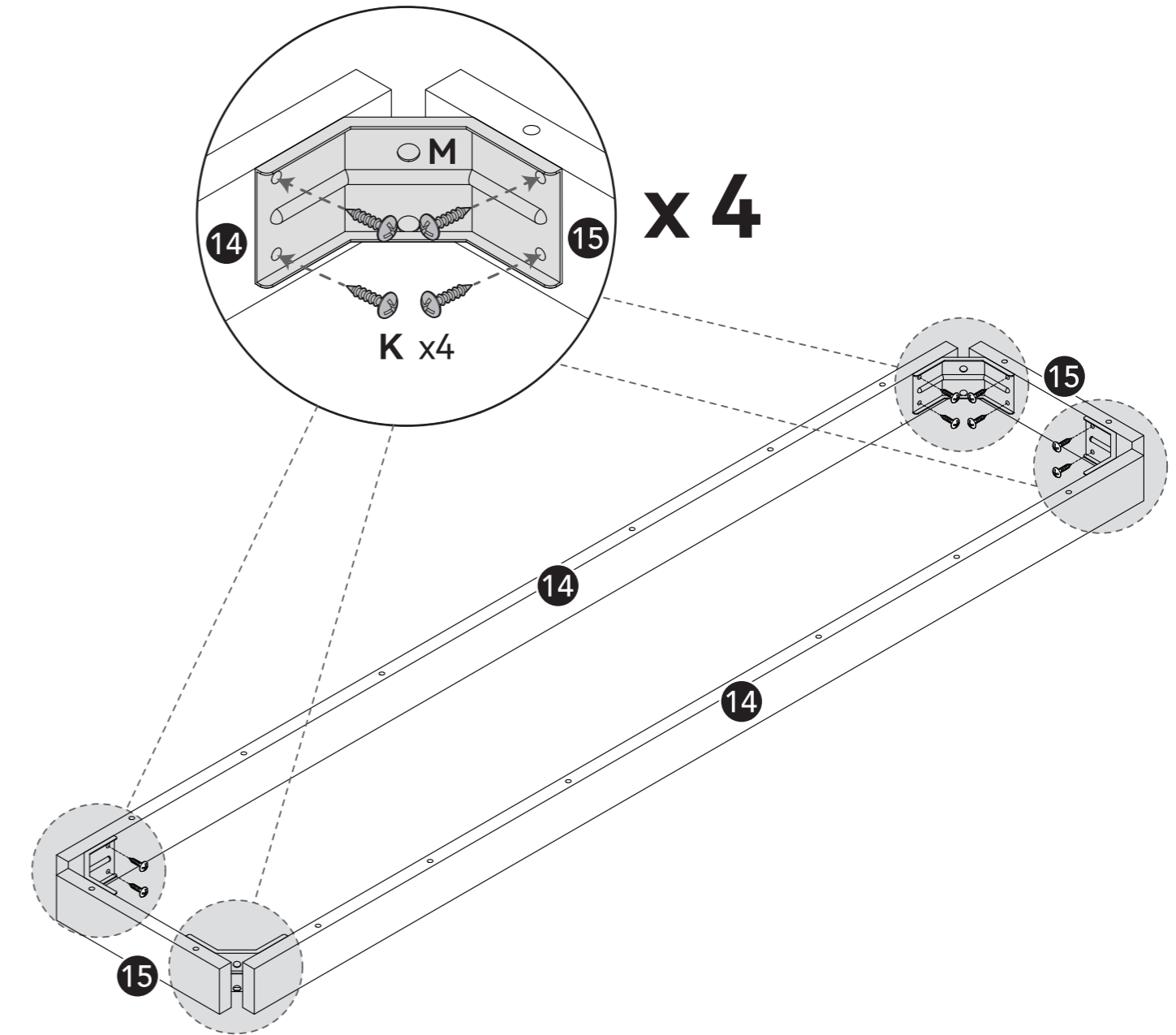
 Insert the cam bolt into the hole, then insert the cam lock and tighten.



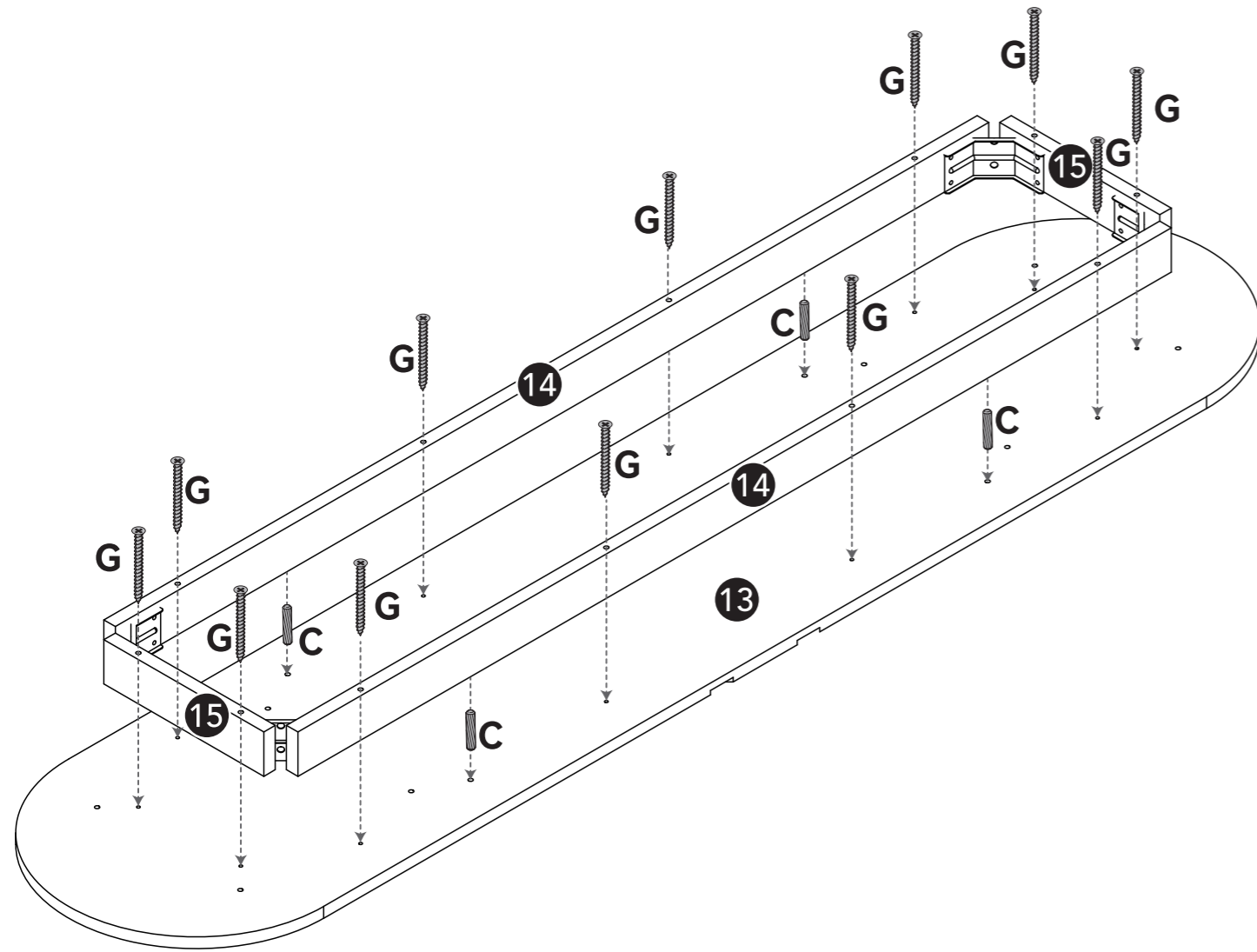
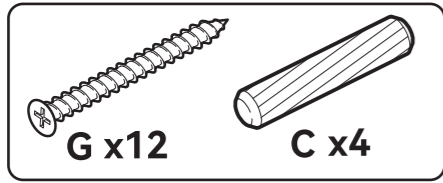
ASSEMBLY



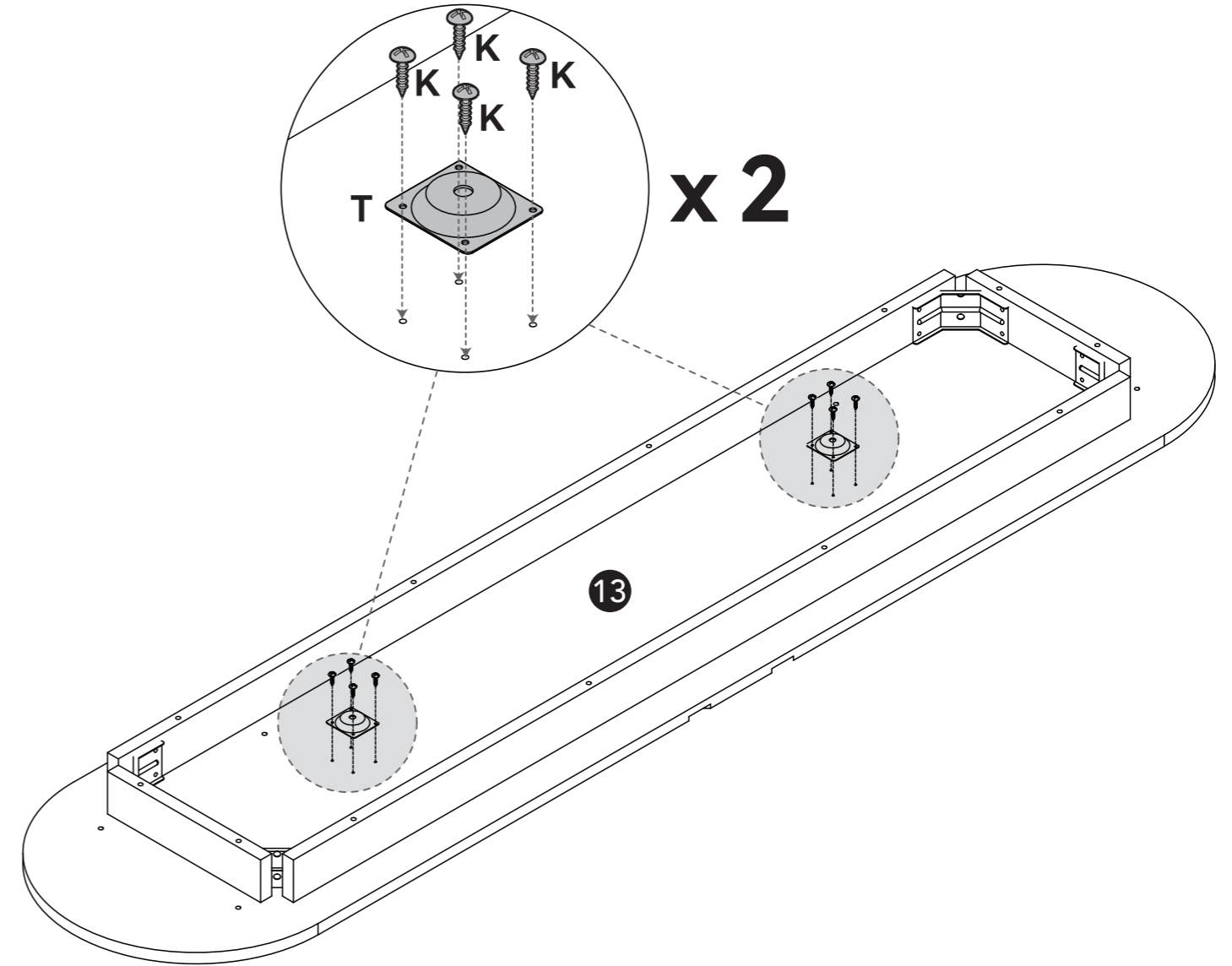
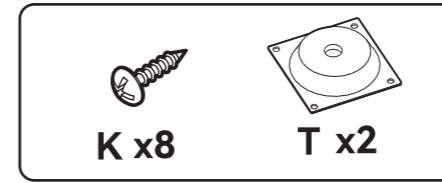
 **IMPORTANT:** For proper installation of fireplace, refer to this assembly instructions only. This document is the sole reference for installation and supersedes all others.



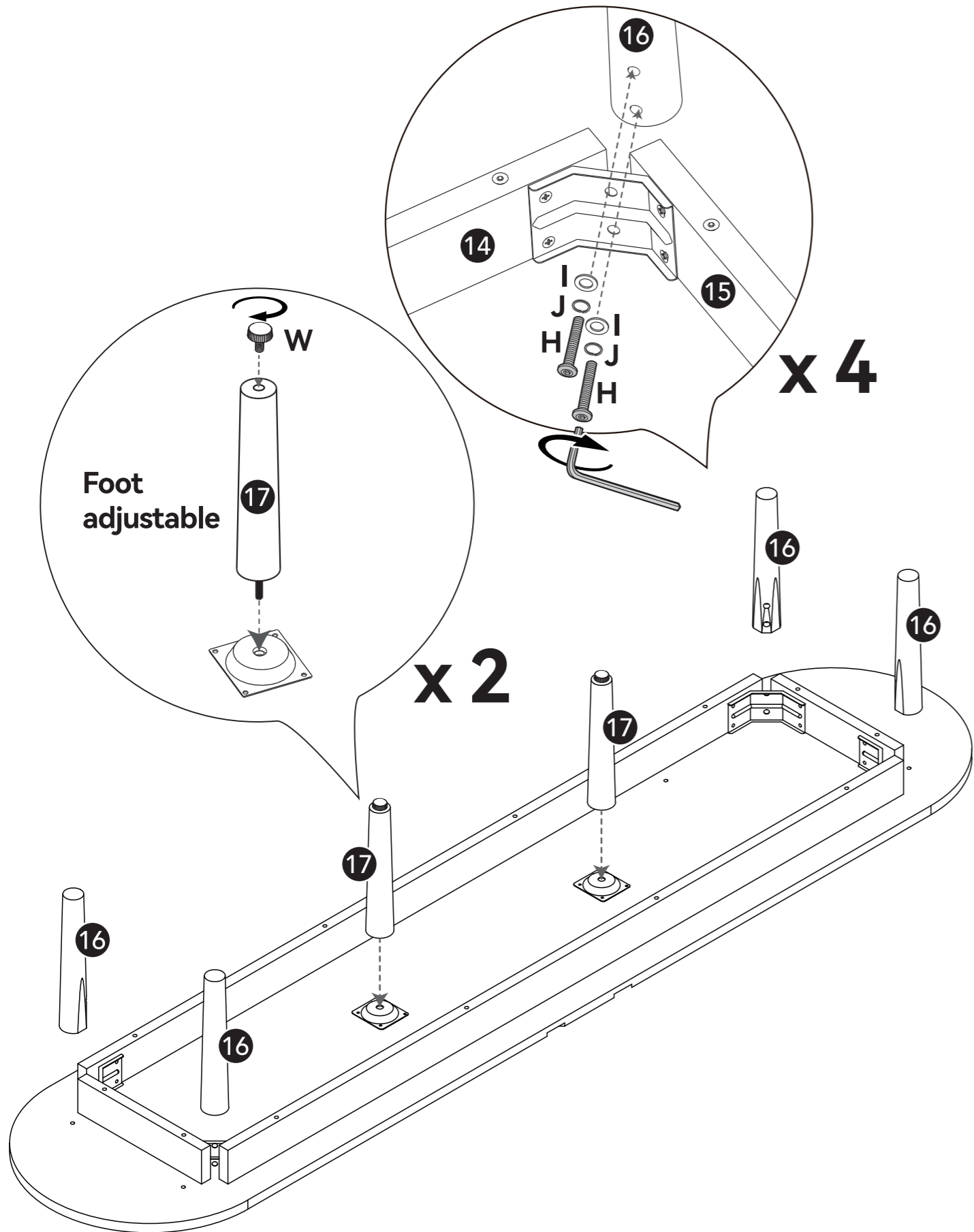
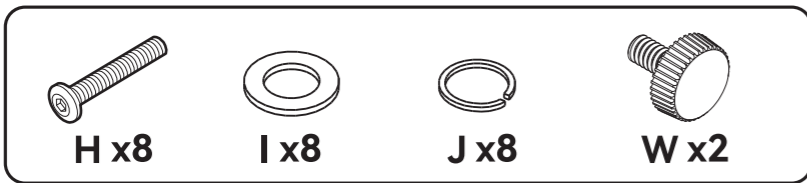
2



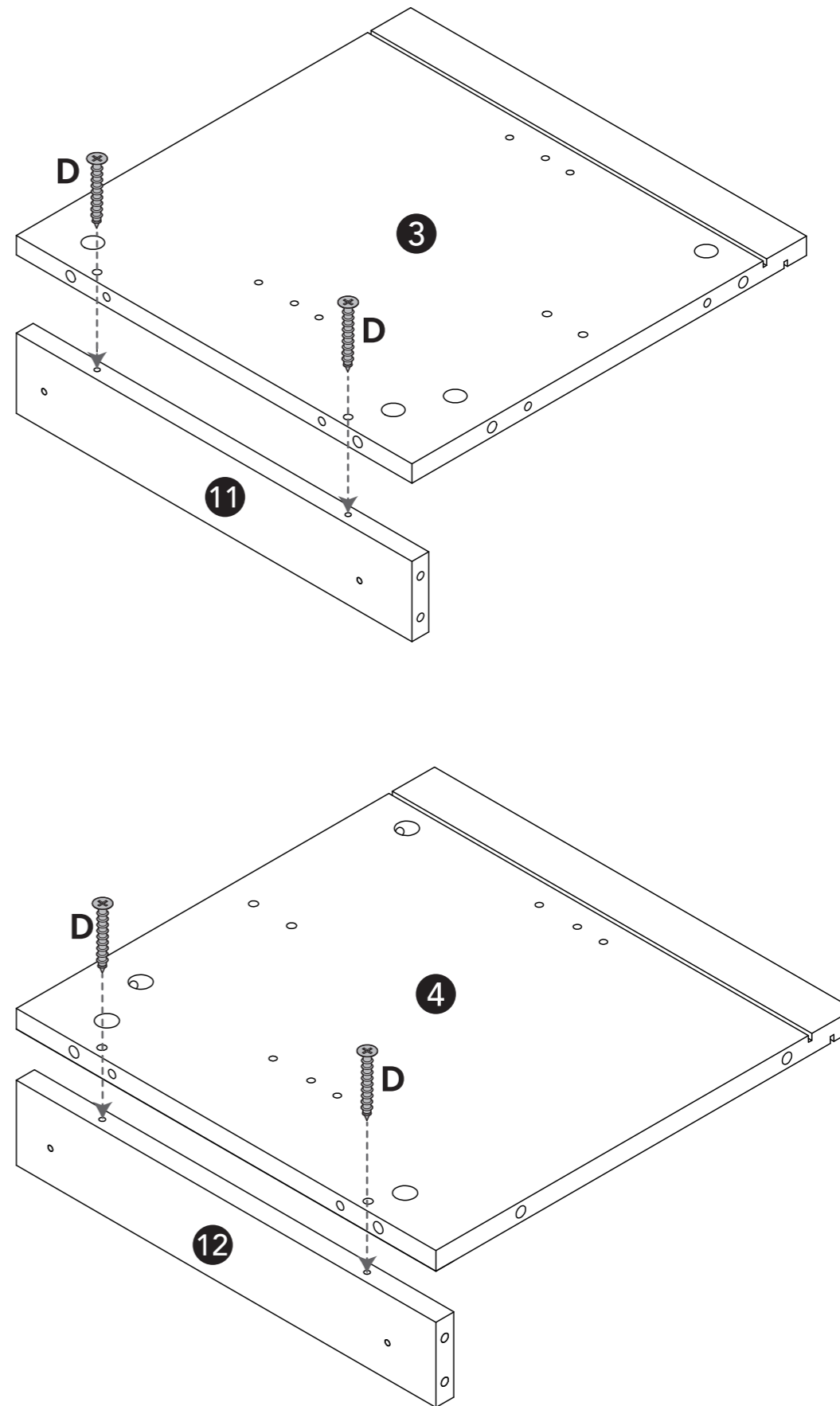
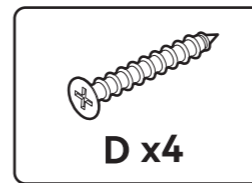
3



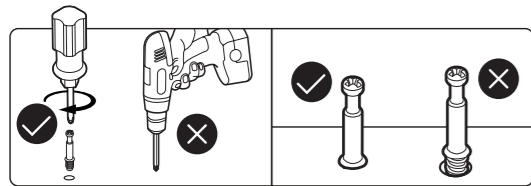
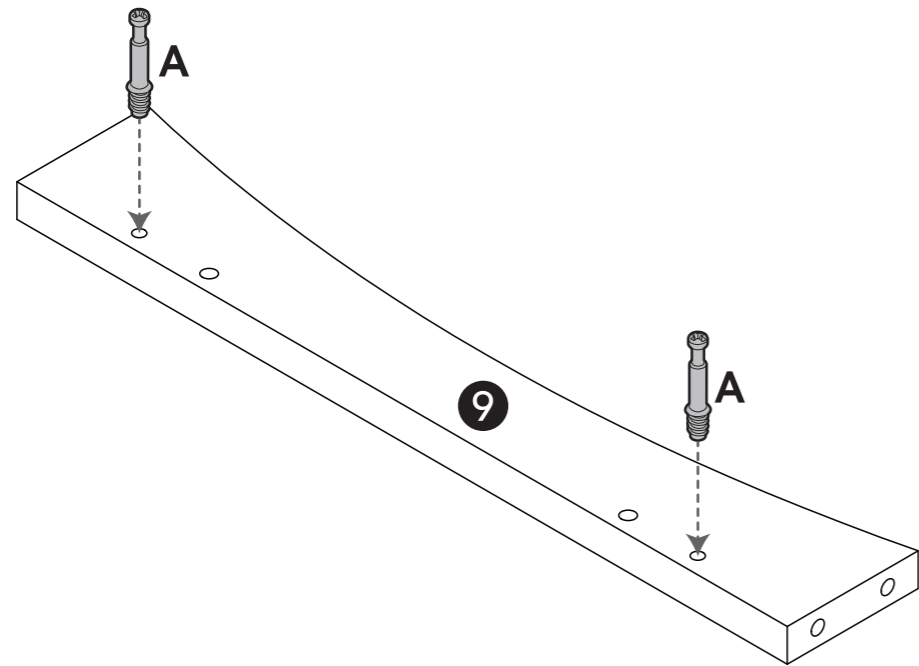
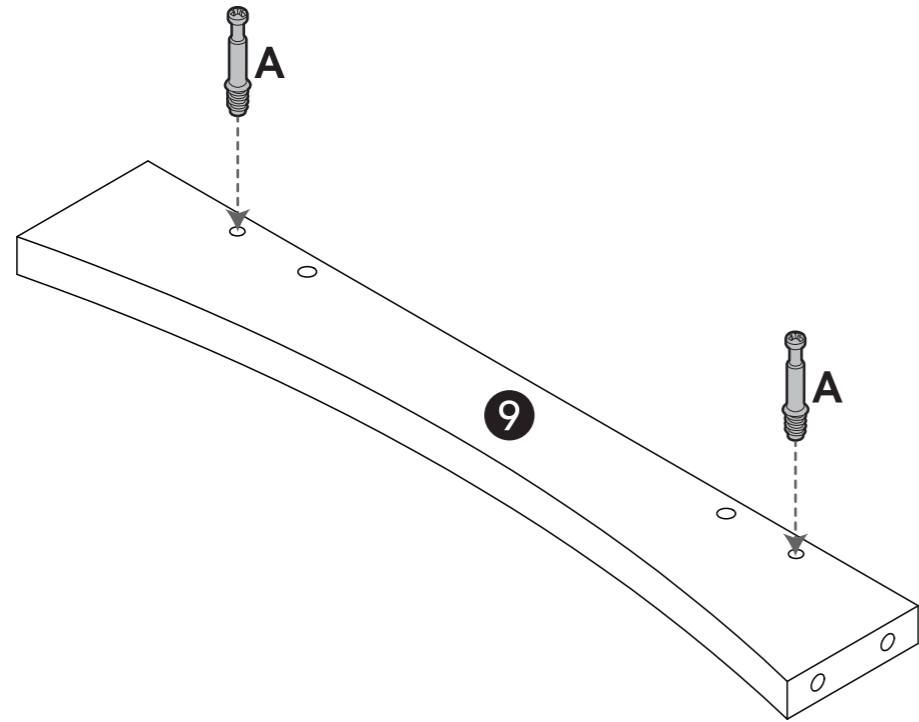
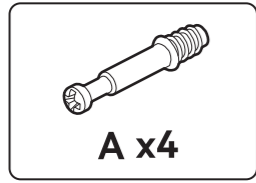
4



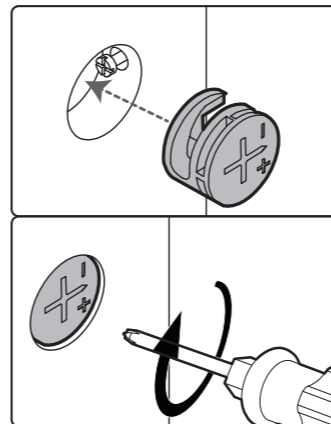
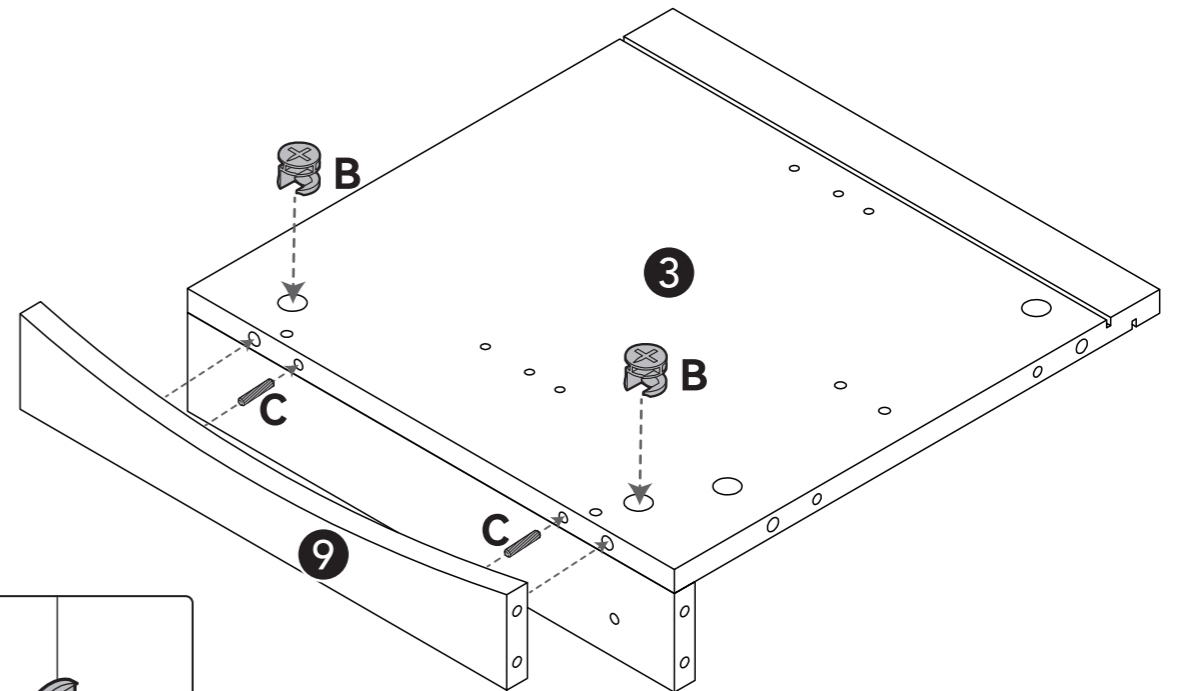
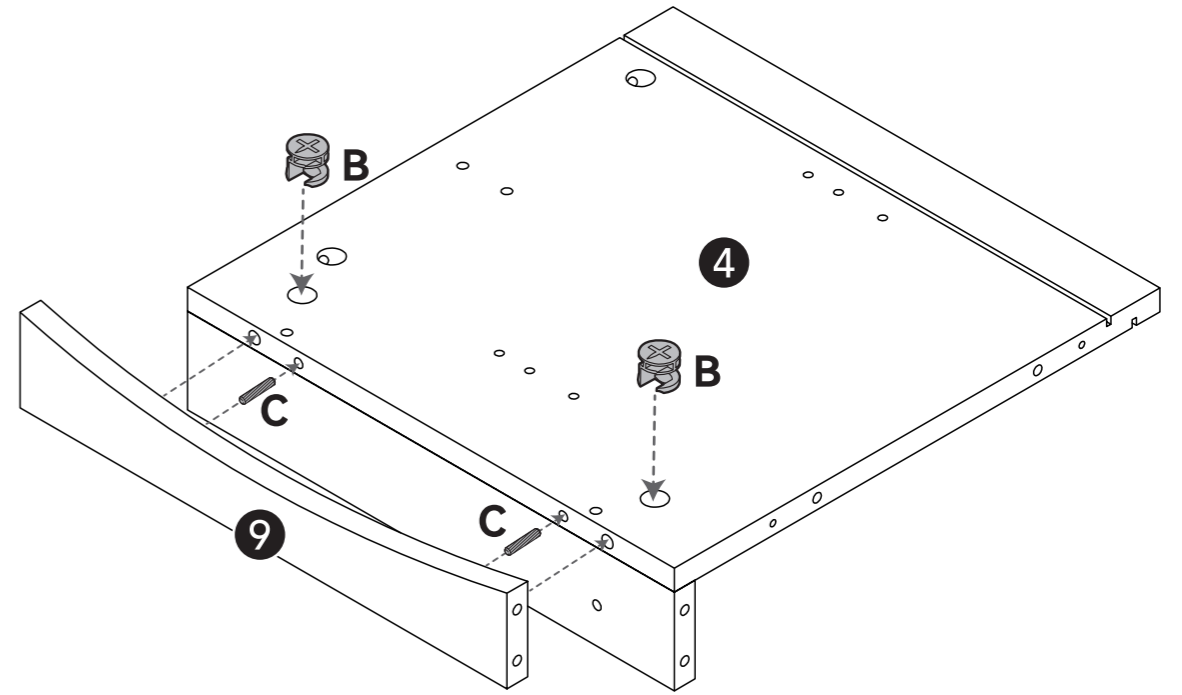
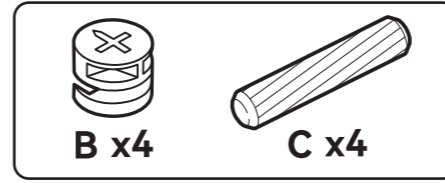
5



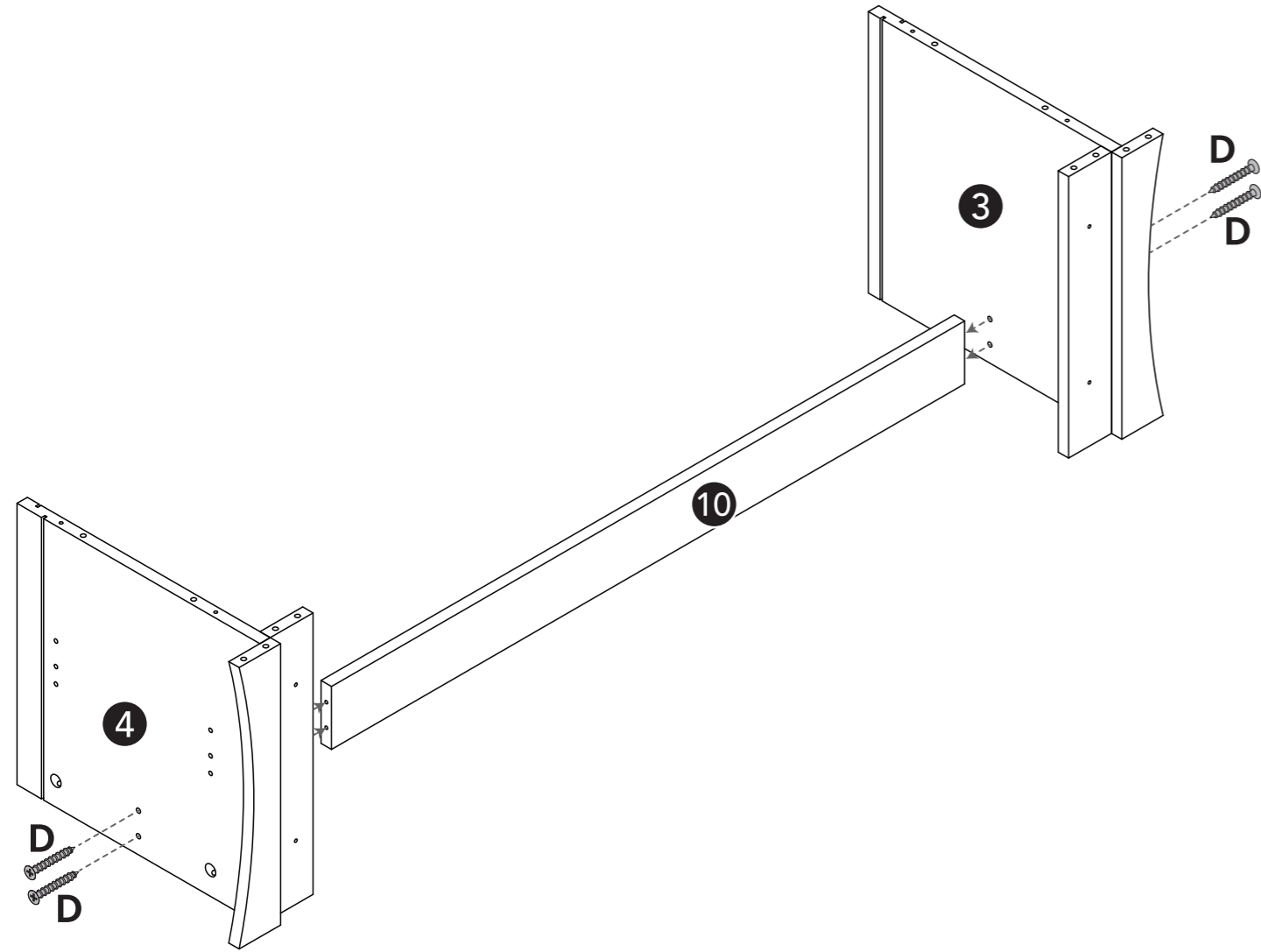
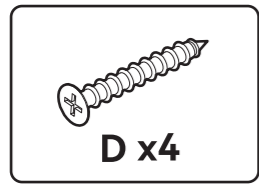
6



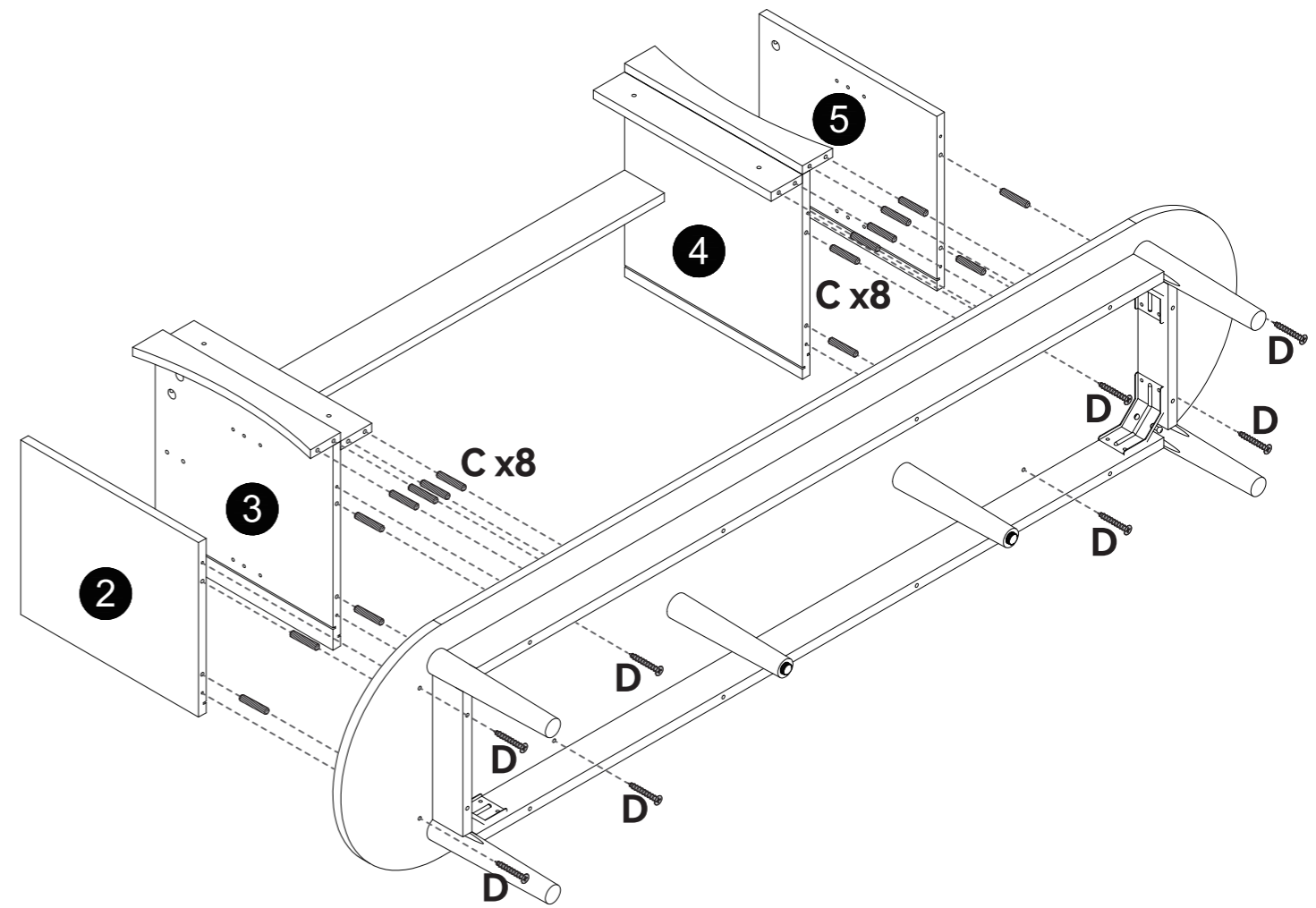
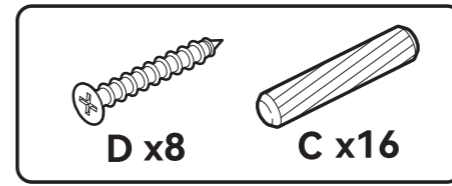
7



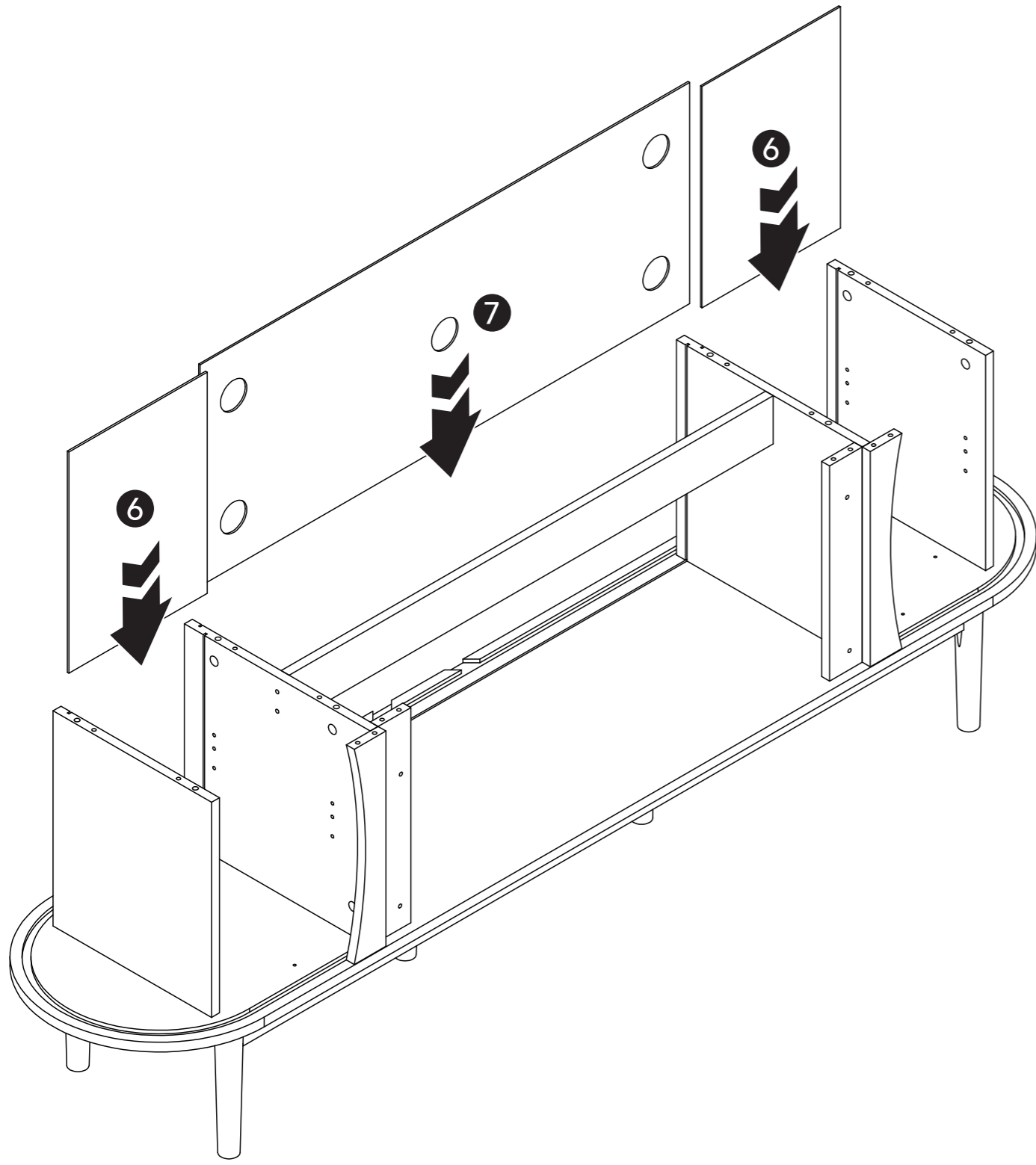
8



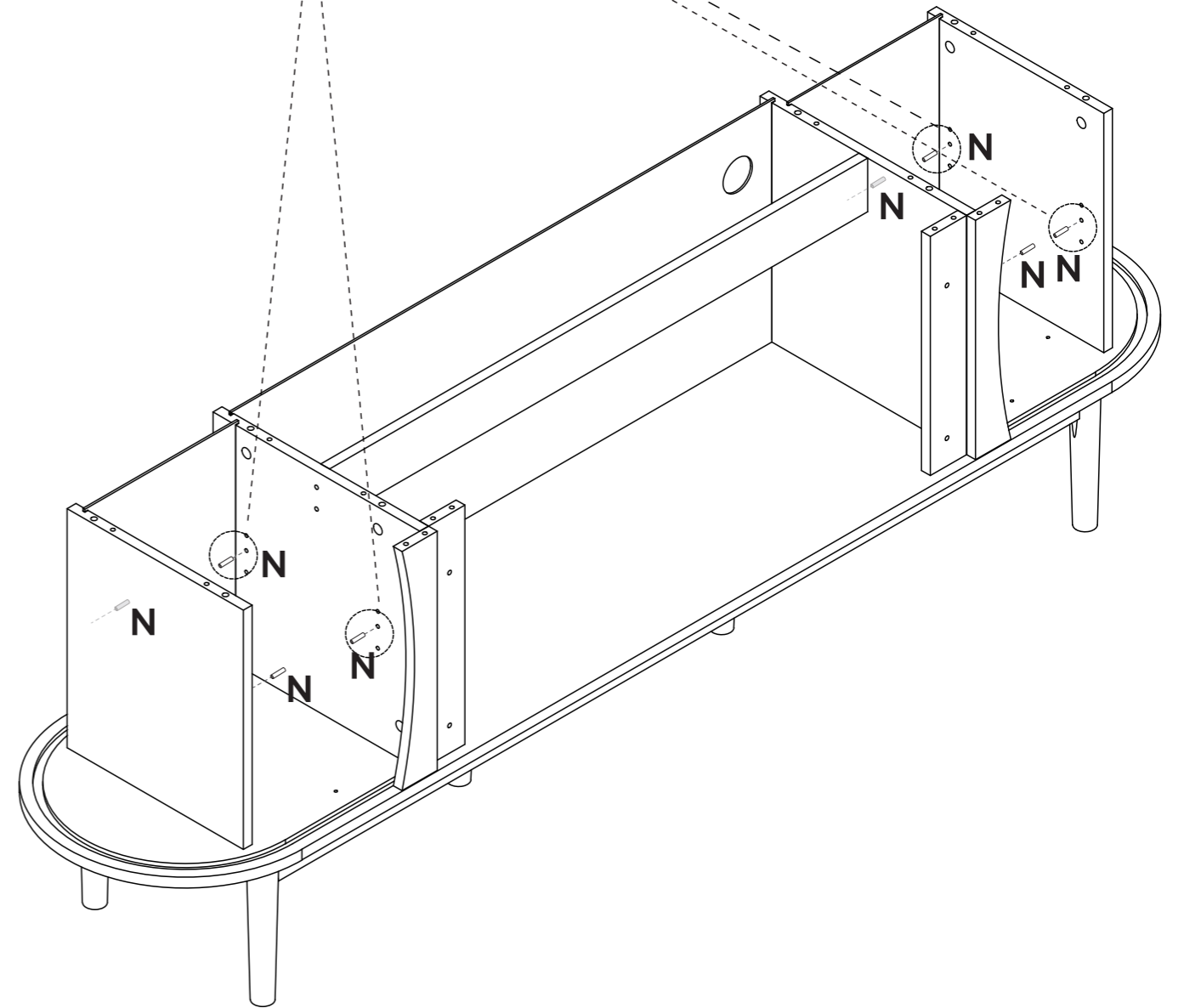
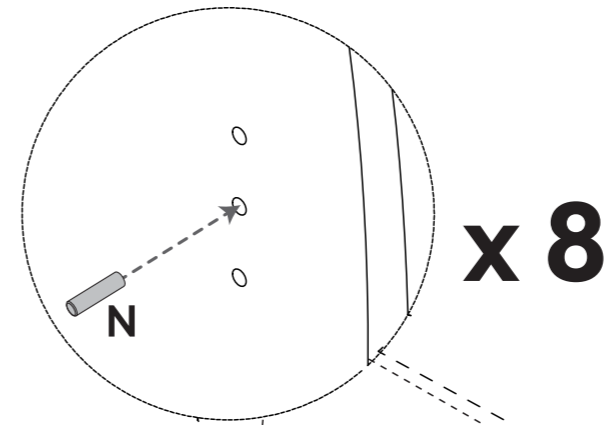
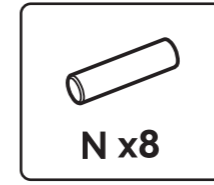
9



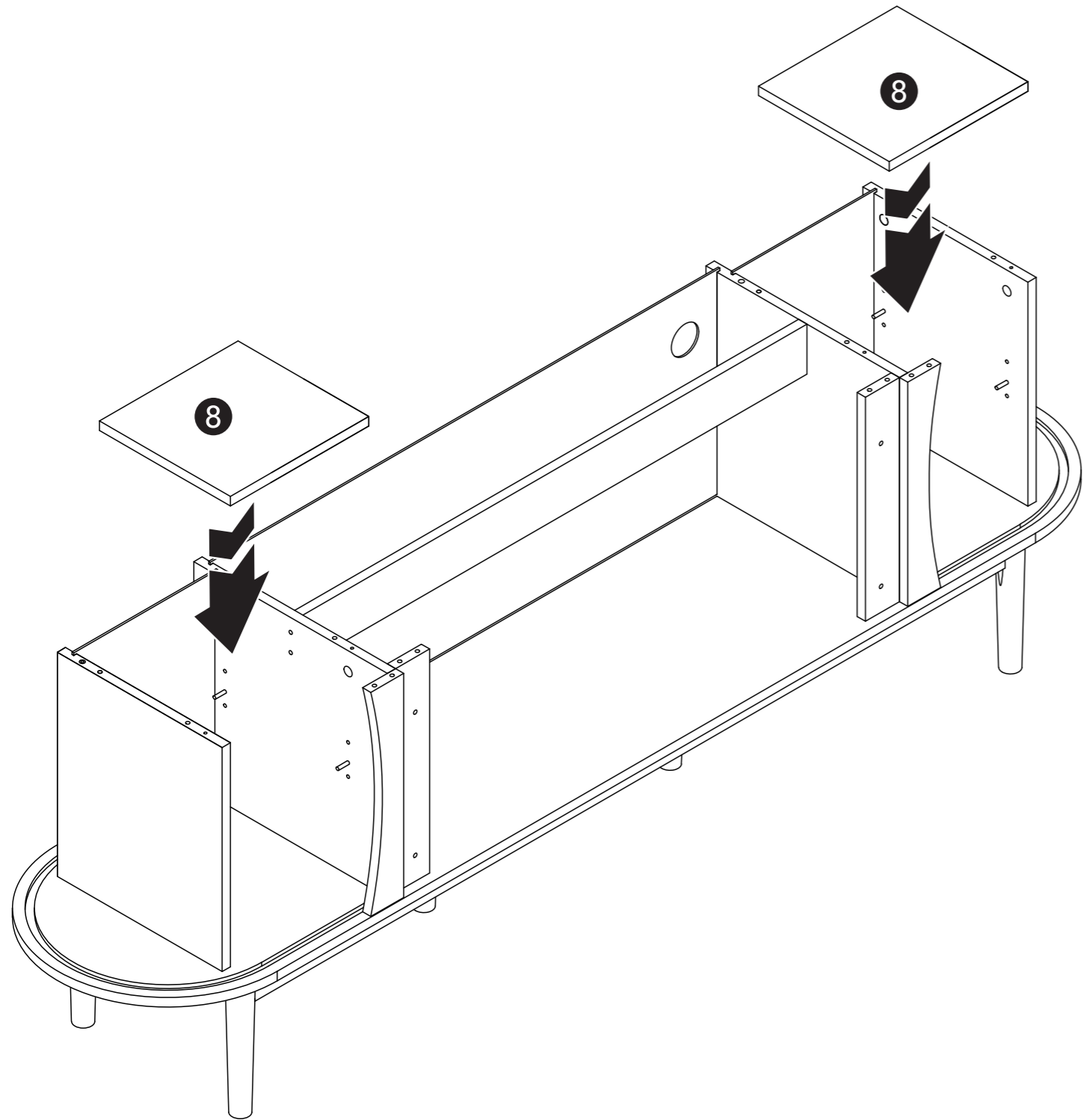
10



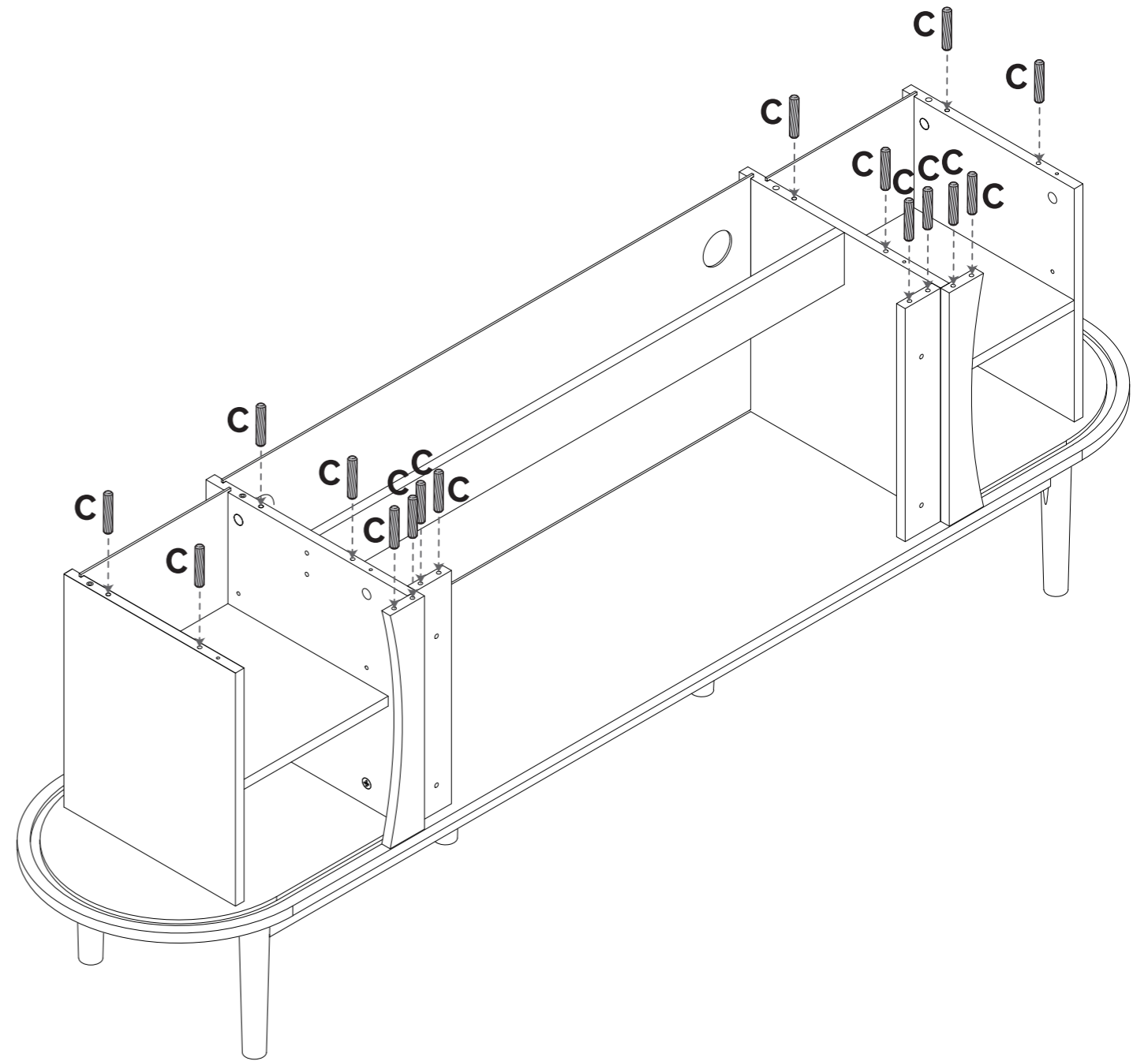
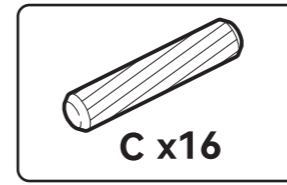
11



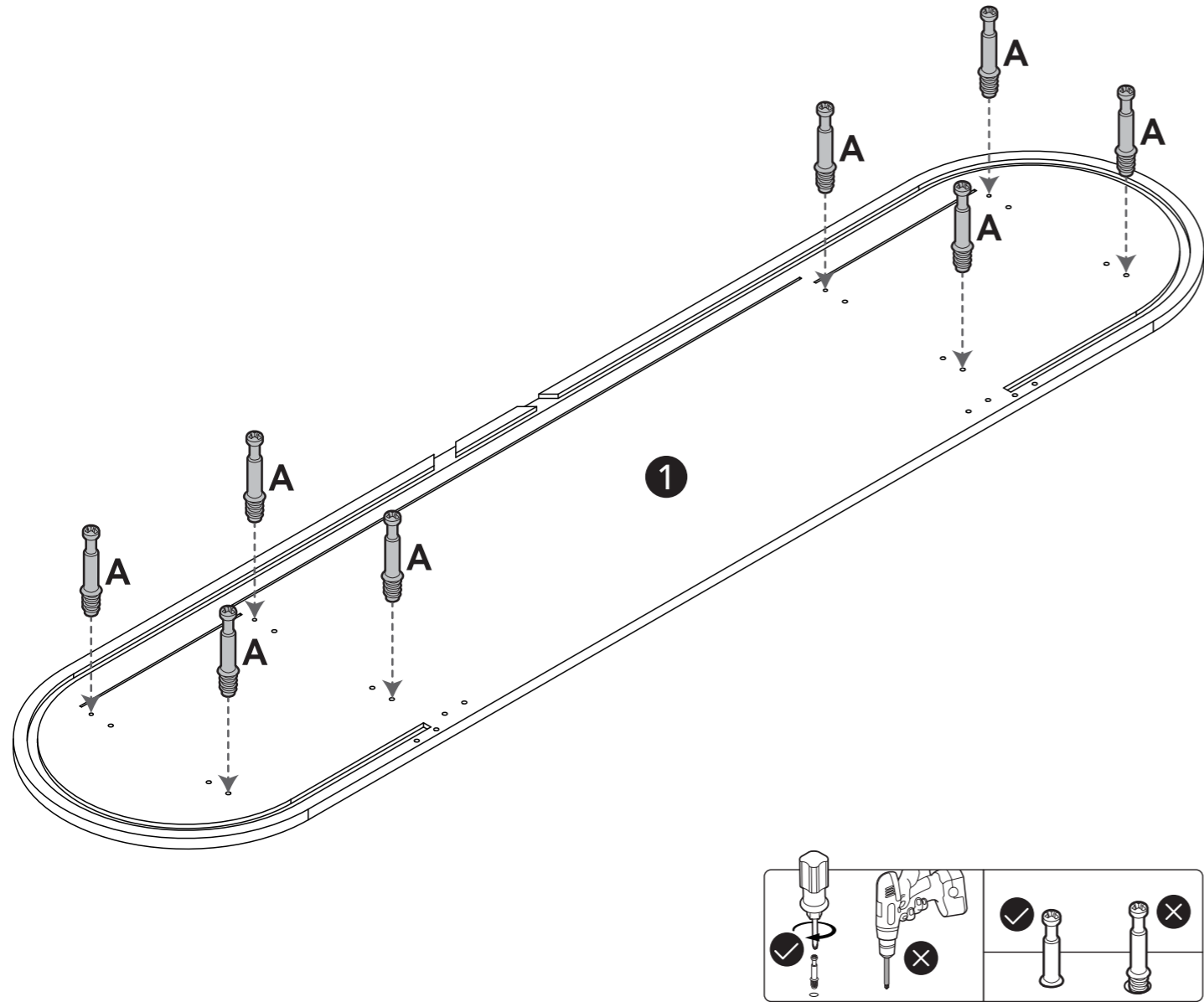
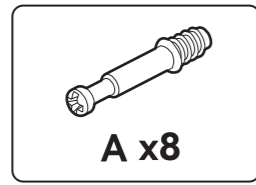
12



13



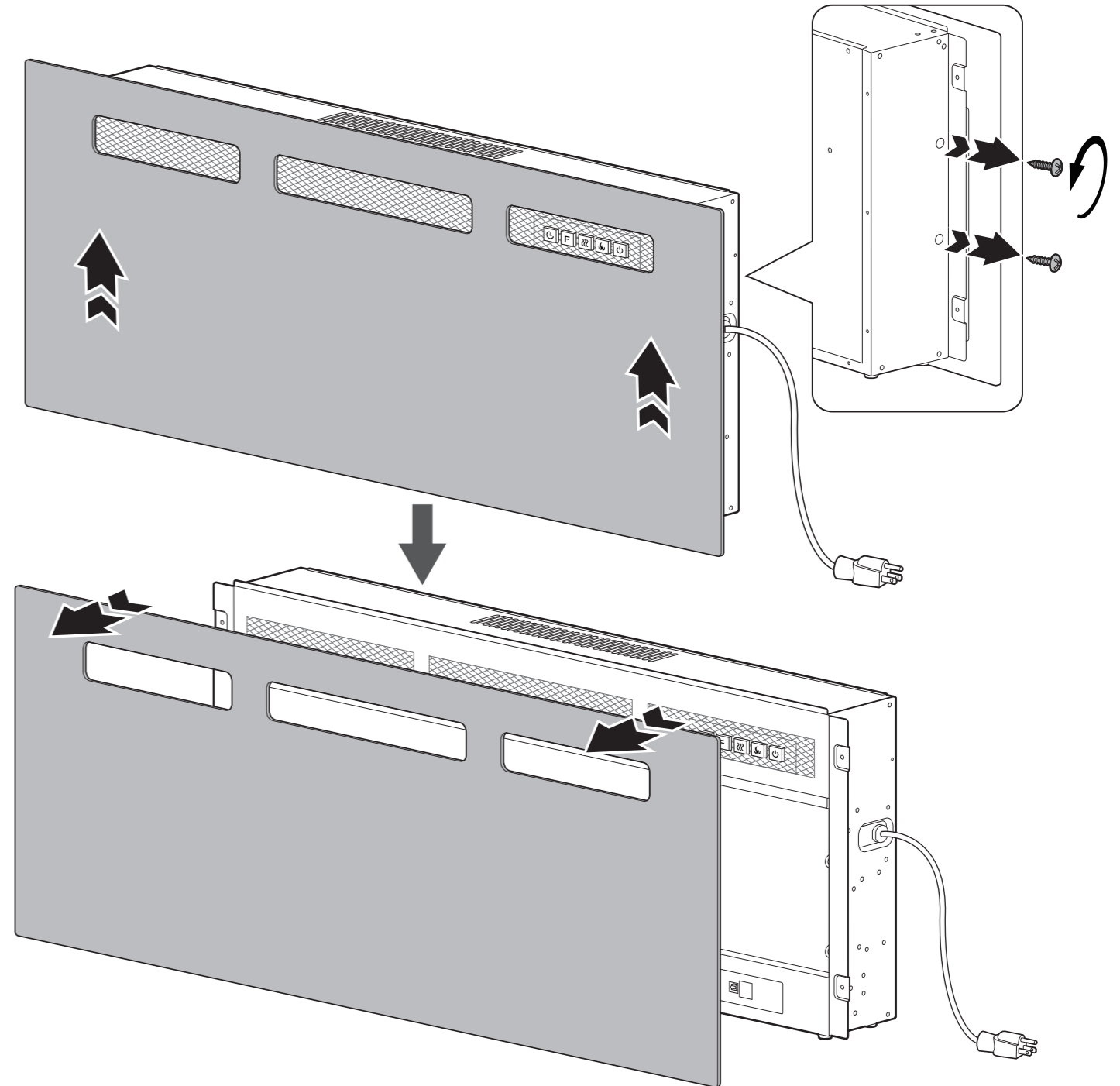
14



15



IMPORTANT: For proper installation of fireplace, refer to this assembly instructions only. This document is the sole reference for installation and supersedes all others.



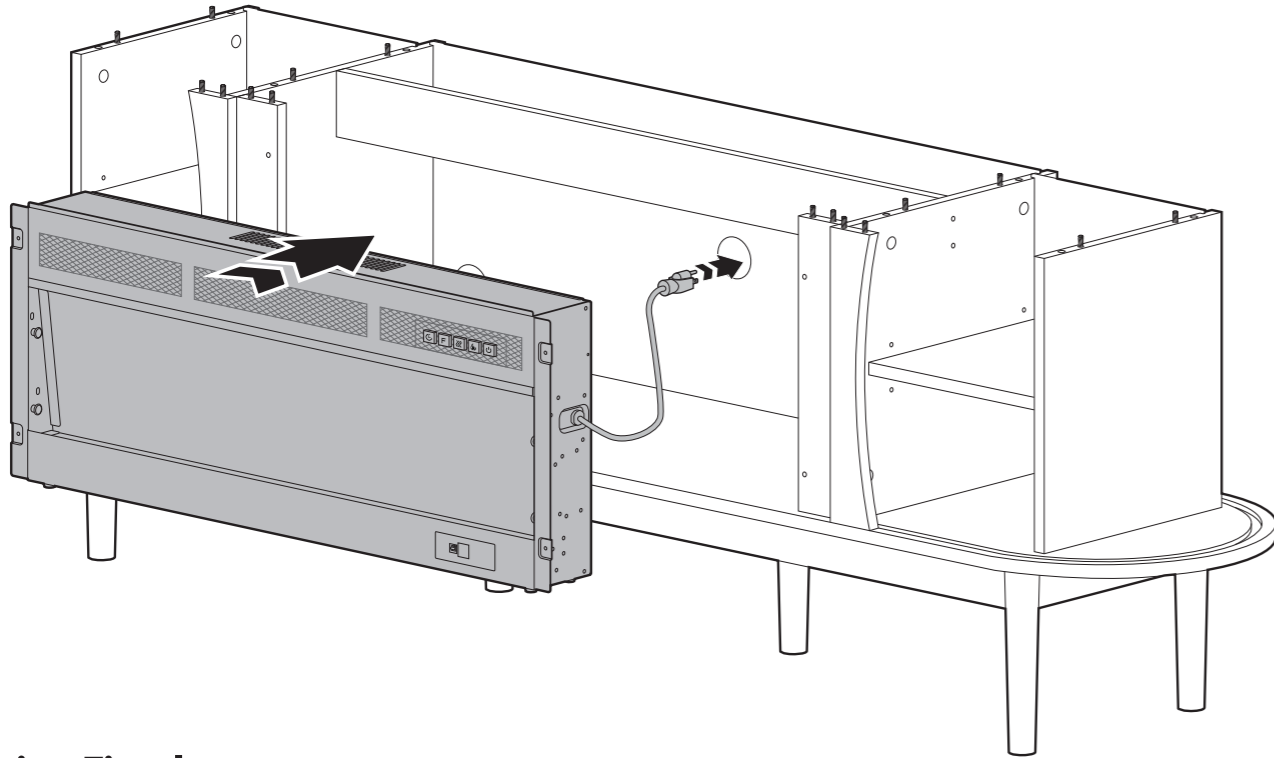
Removing Front Glass Panel

Unscrew the four screws from the sides (two on each side) of the fireplace. Carefully lift and remove the front glass panel. Set aside for later use.

16

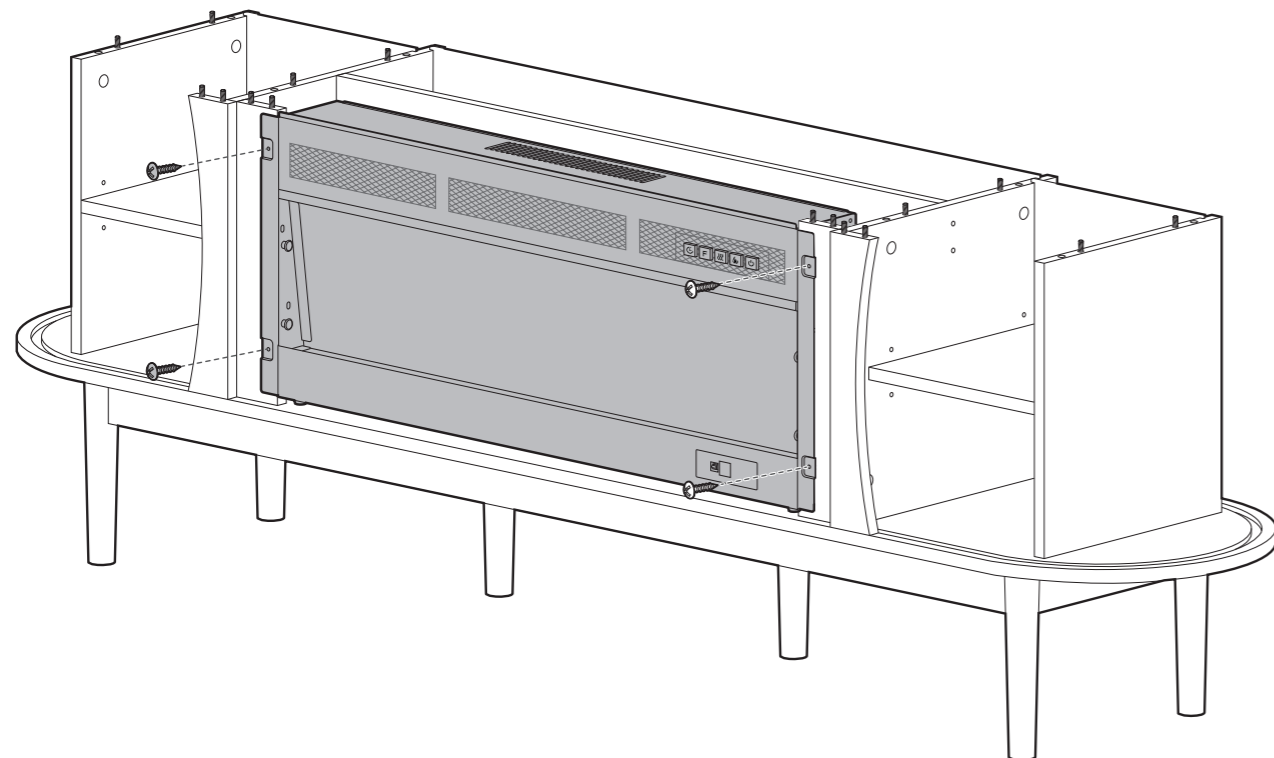
Attaching Fireplace

Gently hold and place the fireplace in the TV stand by 2 people.
Run the power cord and plug through the hole.



Securing Fireplace

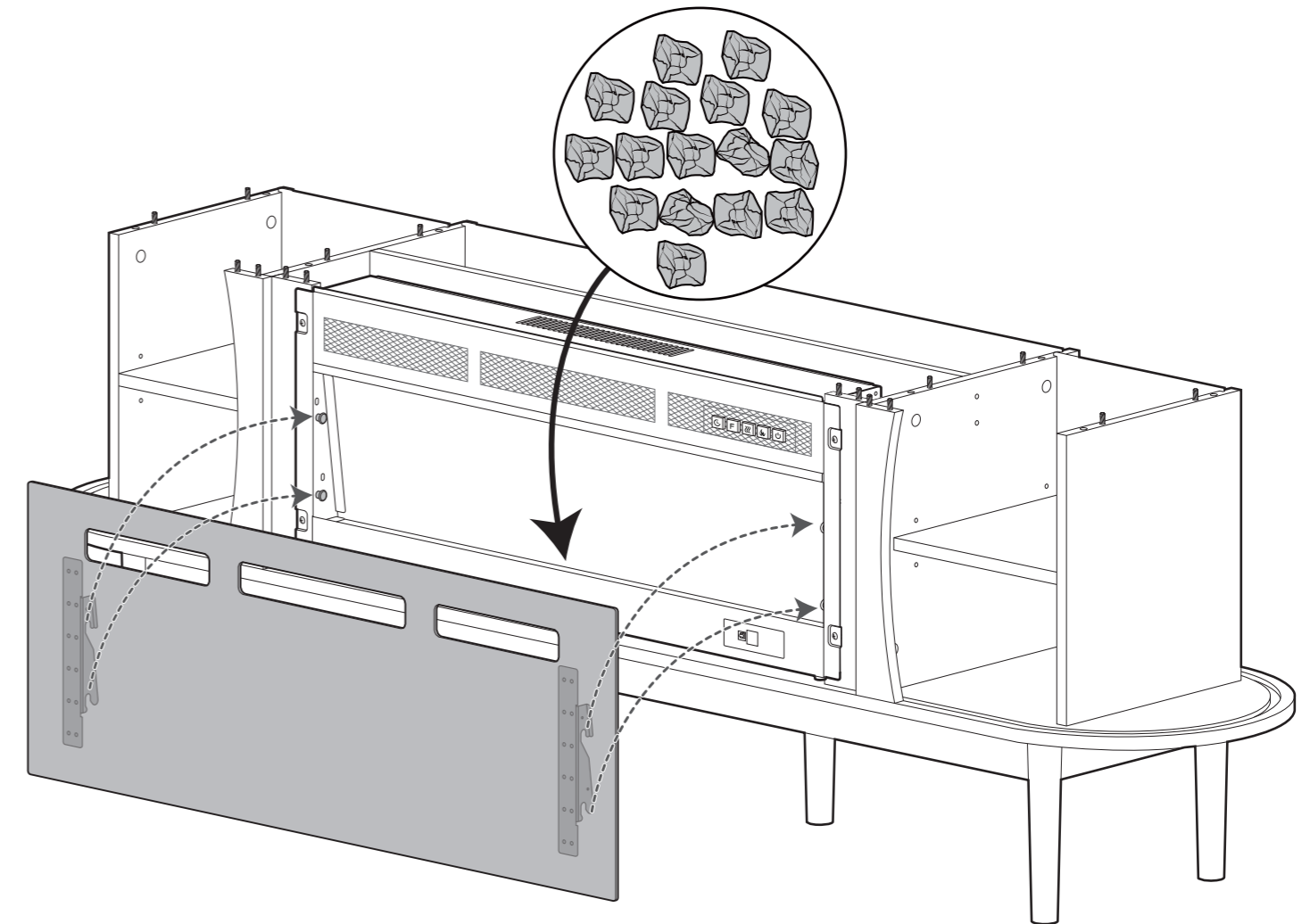
Align with the holes on the TV stand and fix the fireplace onto the TV stand with four ST4*12 screws (in the package of fireplace).



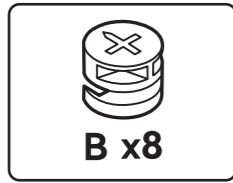
17

Attaching Front Glass Panel

Place the decorative crystals in. Align with the lugs on the inner sides of the fireplace and attach the front glass panel back in place.

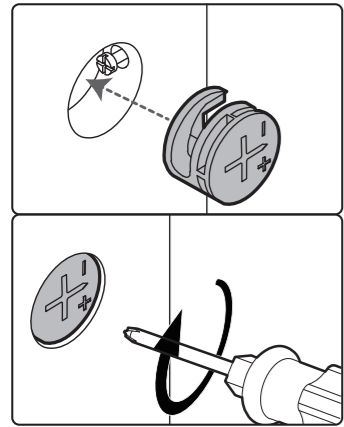
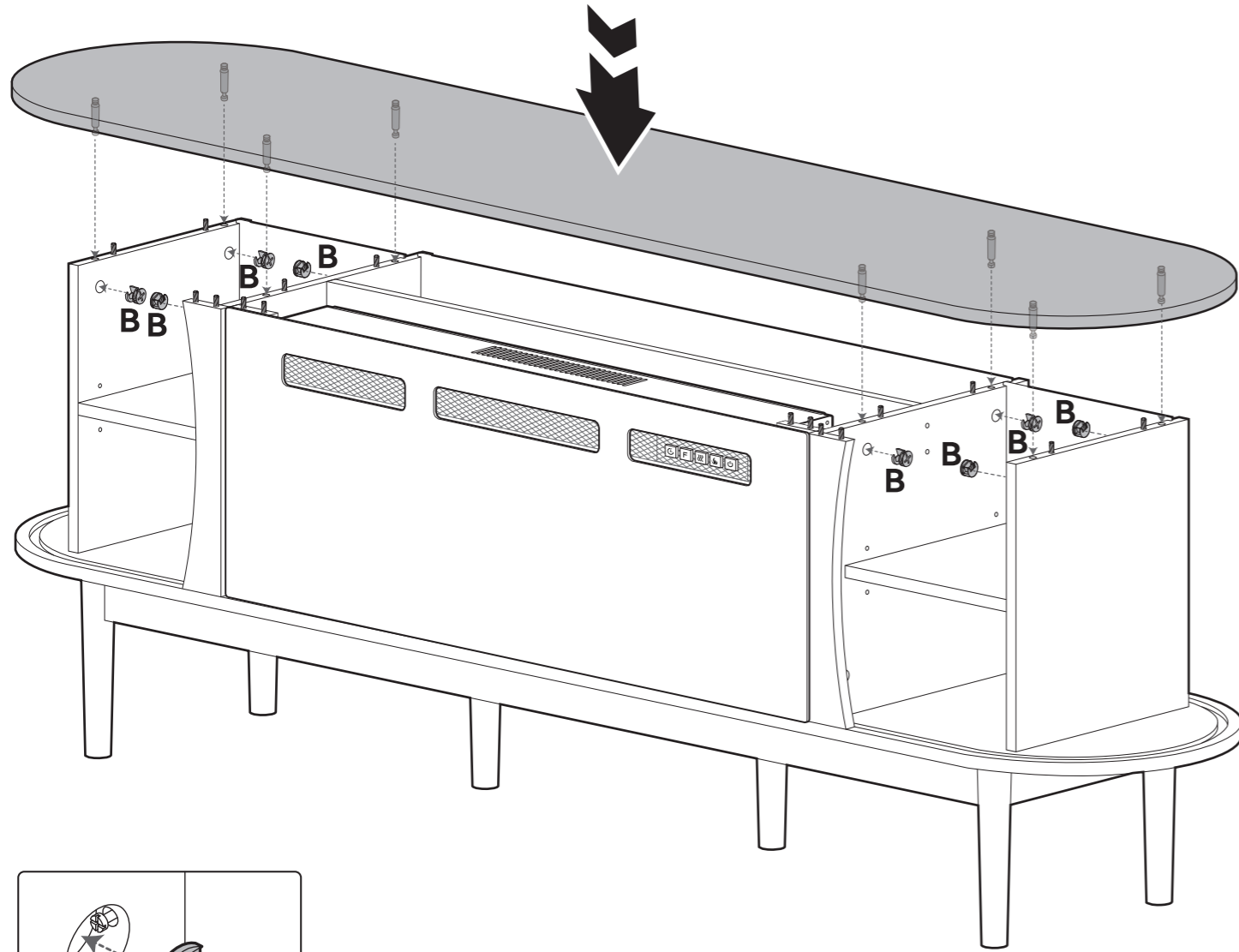


18

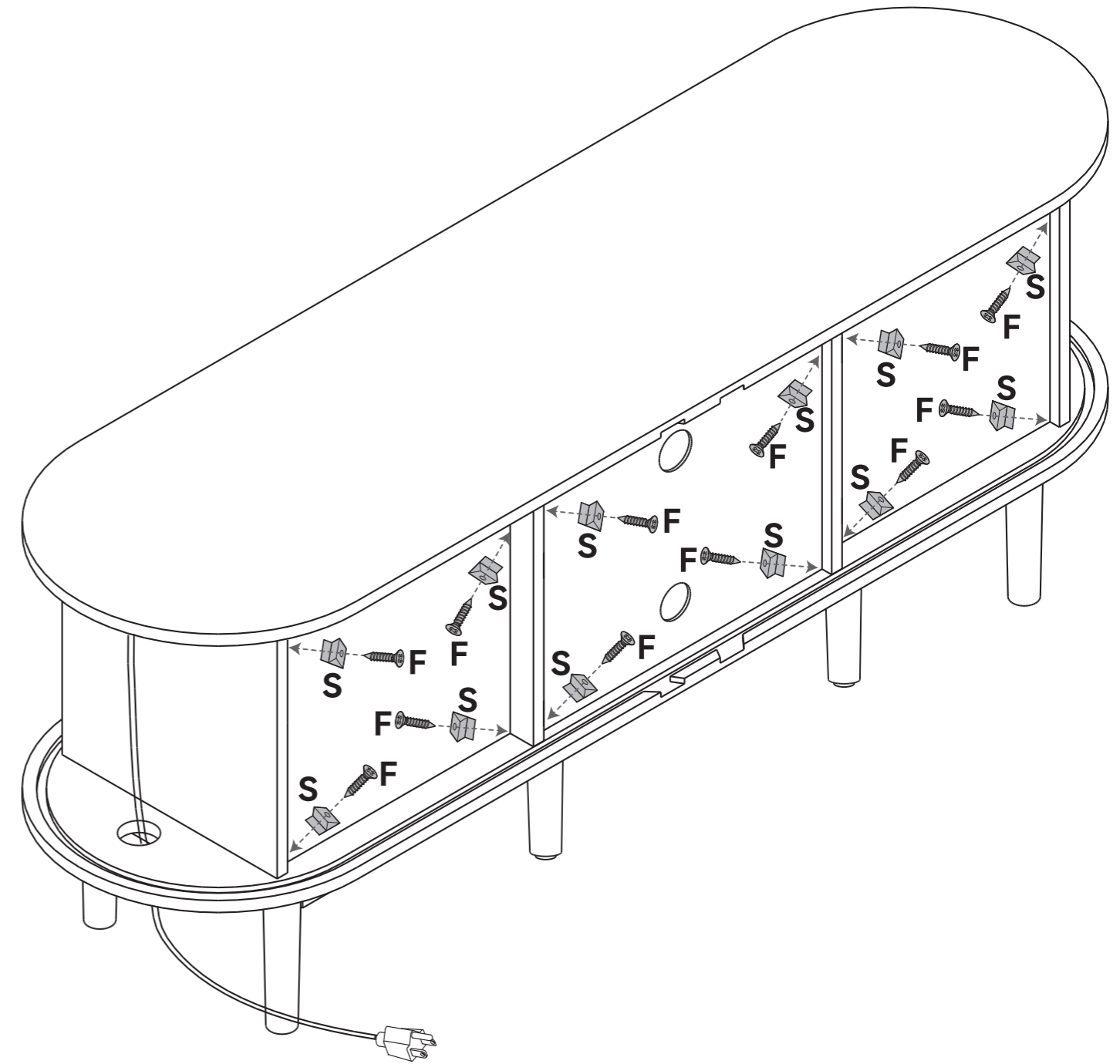
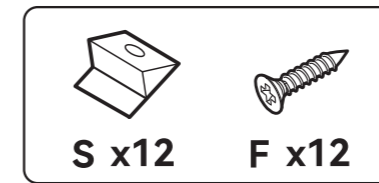


Attaching Top Board

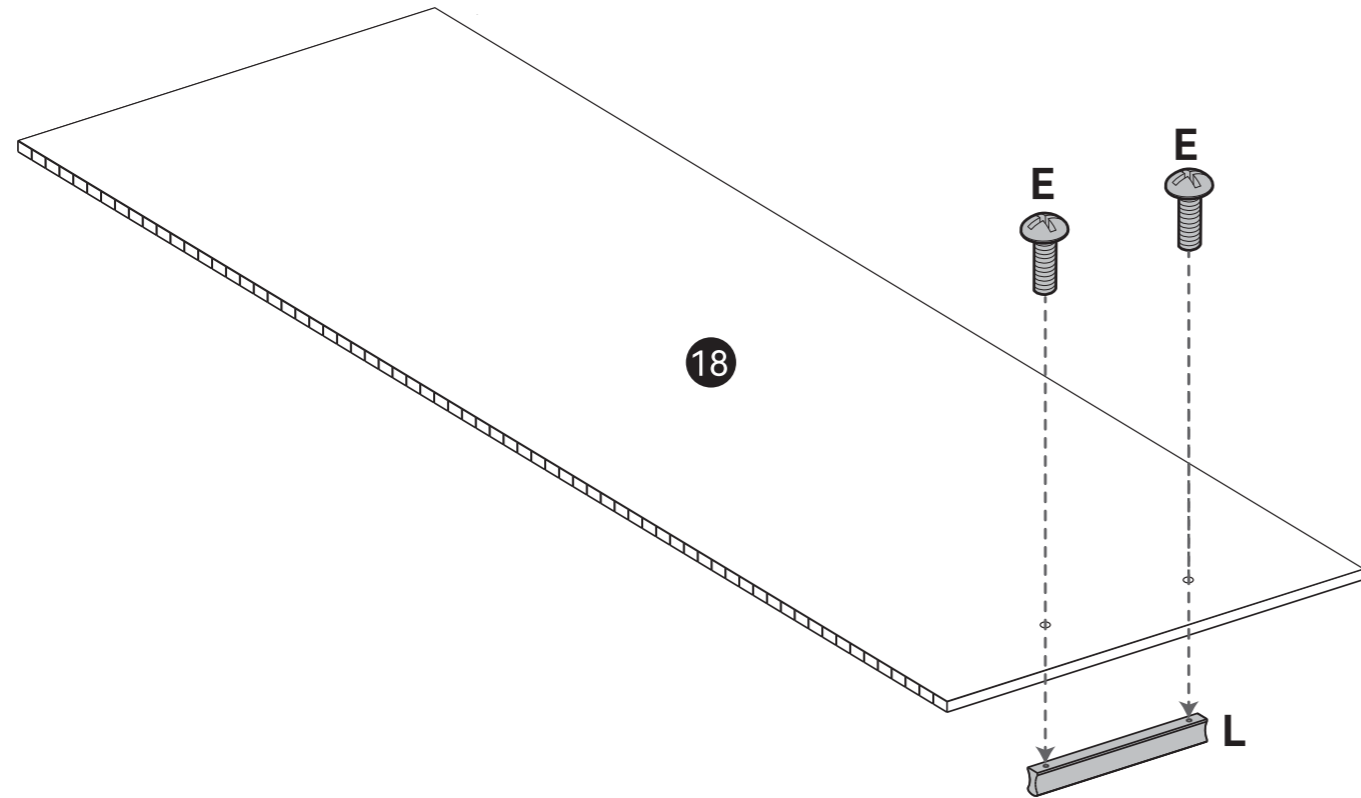
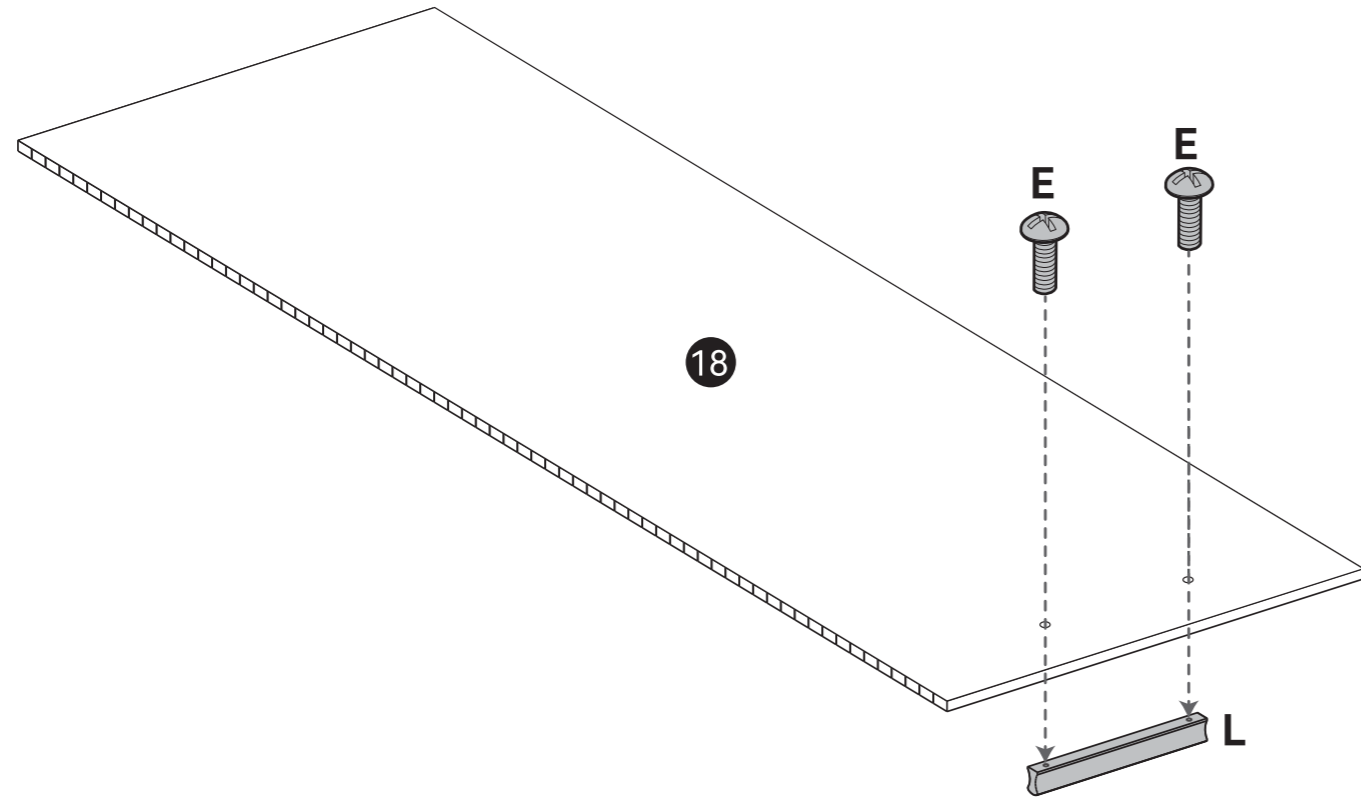
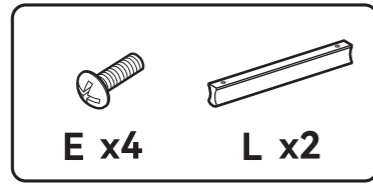
Align and attach the top board onto the TV stand.
Lock the top board with the cam locks.



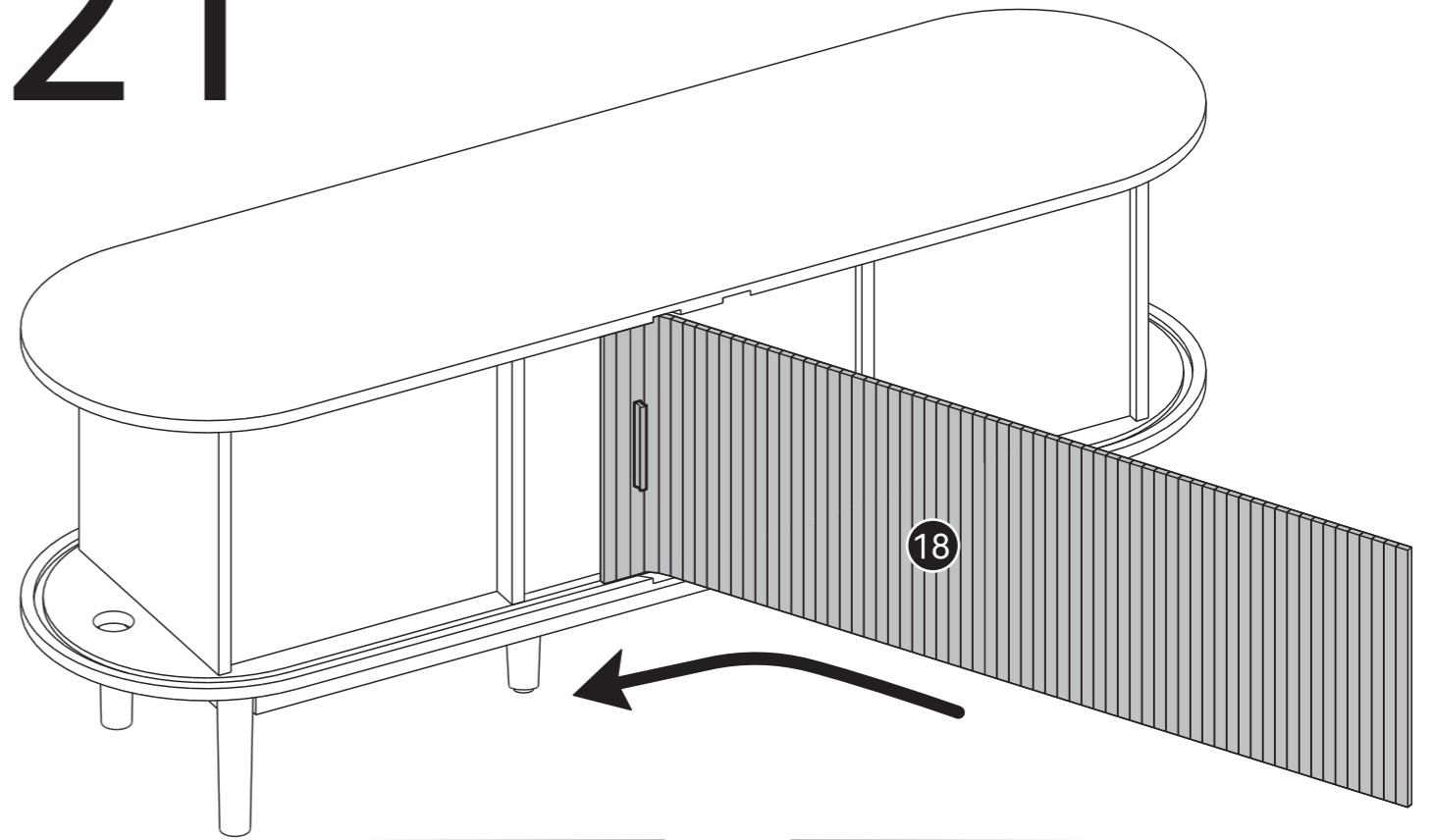
19



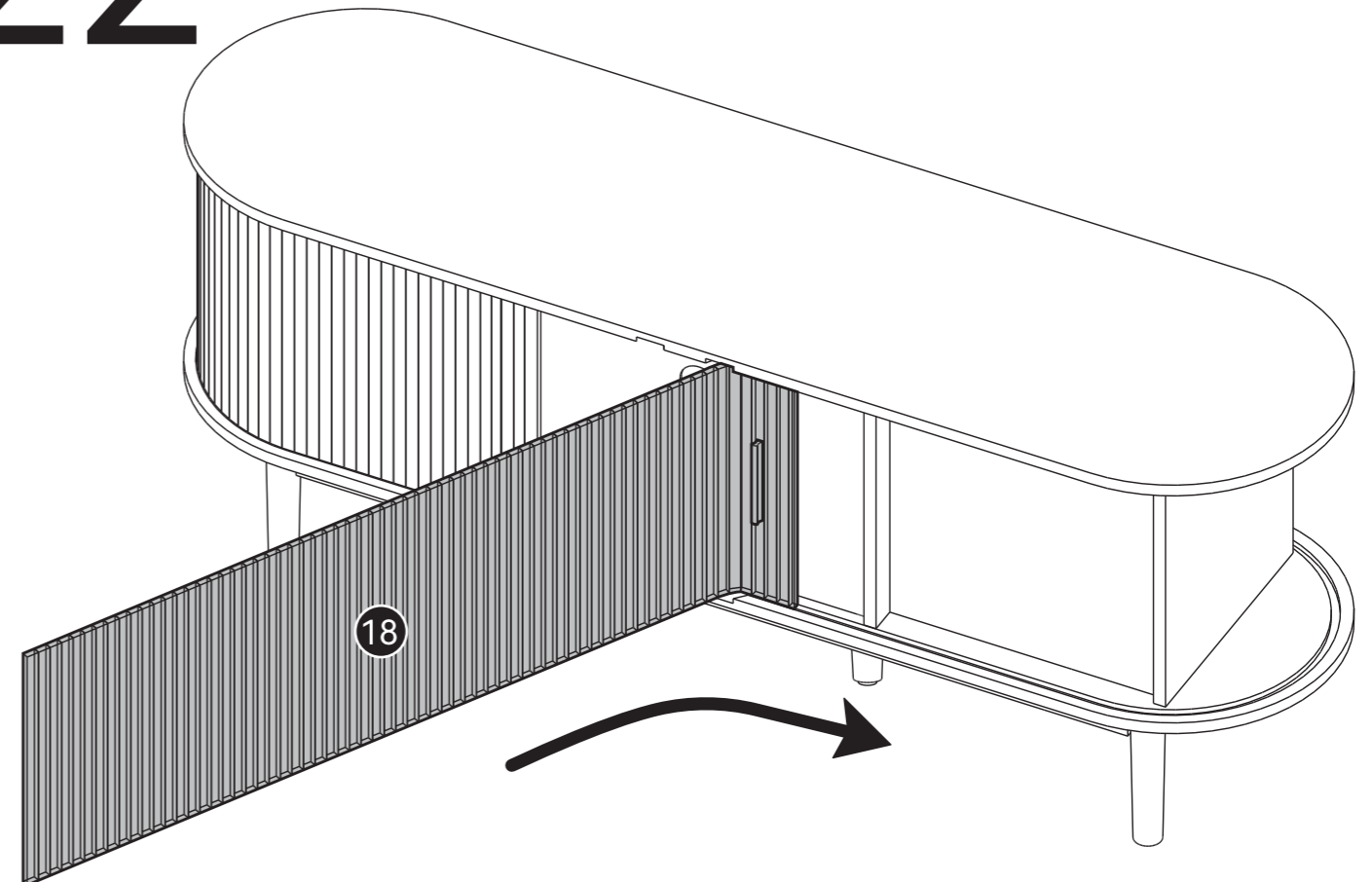
20



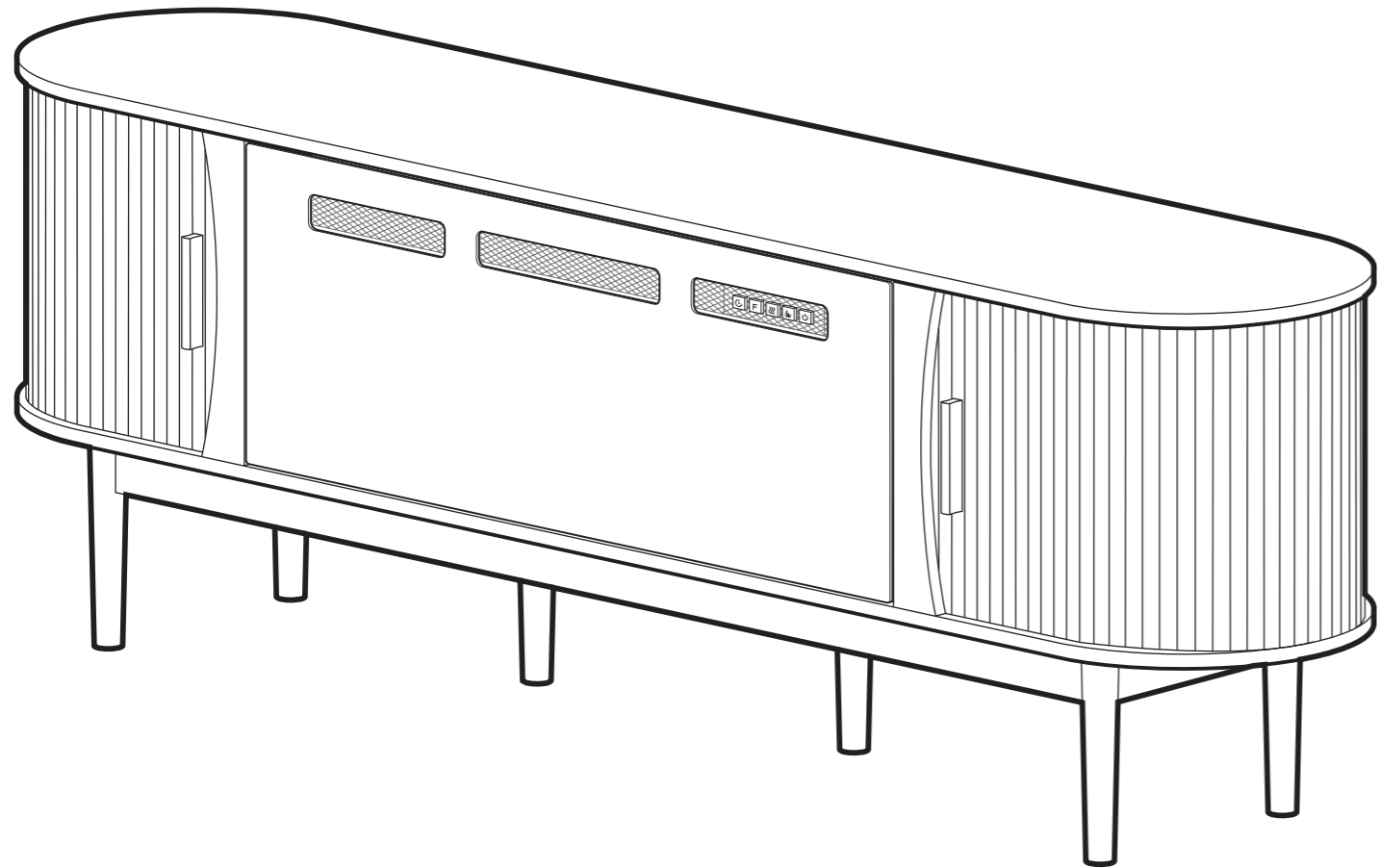
21



22



23



成品尺寸：210*297mm

骑马钉

材质：封面128克铜版纸

内页80g书纸

单色印刷