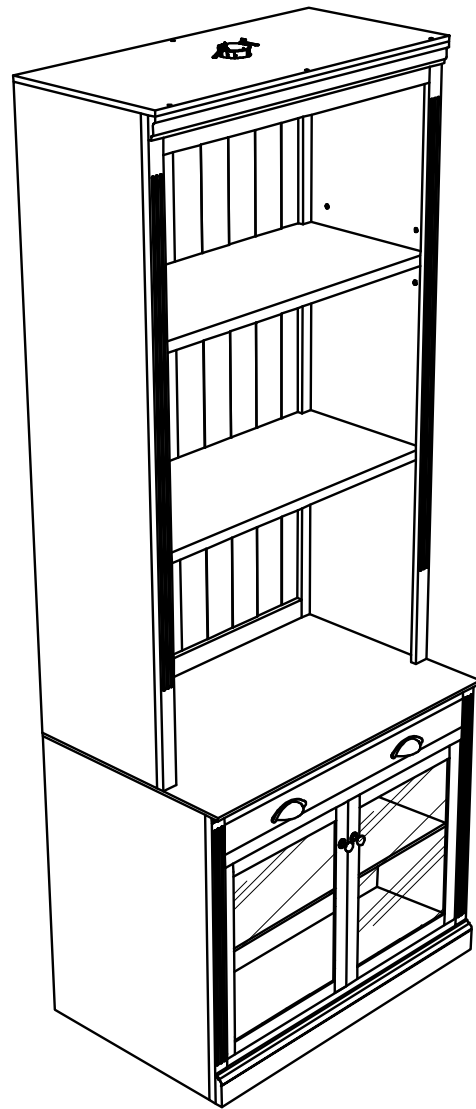
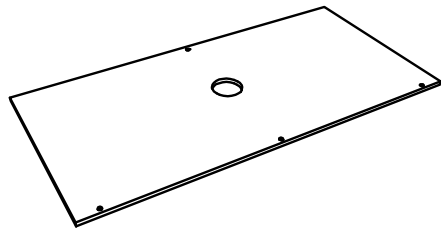


ASSEMBLY INSTRUCTION



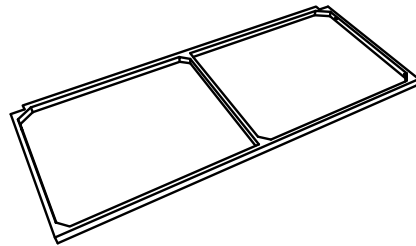
PARTS LIST

(A)



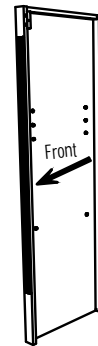
Quantity:
1 pc

(B)



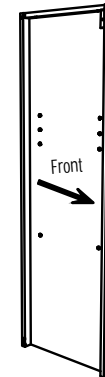
Quantity:
2 pcs

(CL)



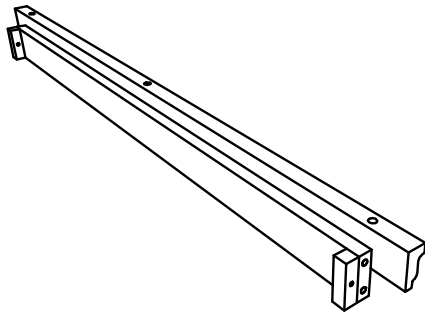
Quantity:
1 pc

(CR)



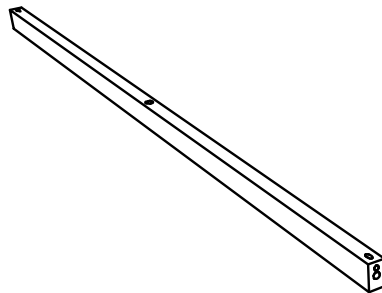
Quantity:
1 pc

(D)



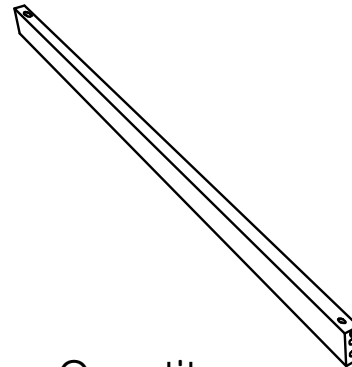
Quantity:
1 pc

(E)



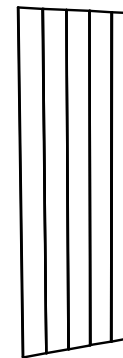
Quantity:
1 pc

(F)



Quantity:
1 pc

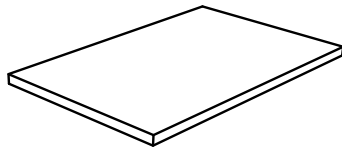
(G)



Quantity:
2 pcs

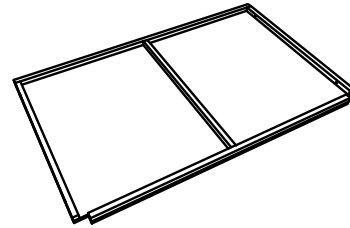
PARTS LIST

(H)



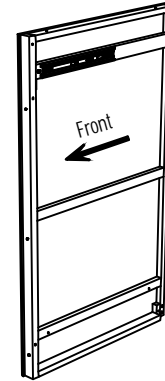
Quantity:
1 pc

(I)



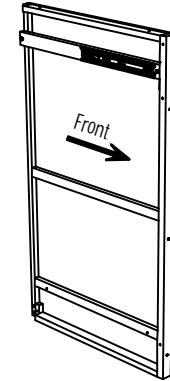
Quantity:
1 pc

(JL)



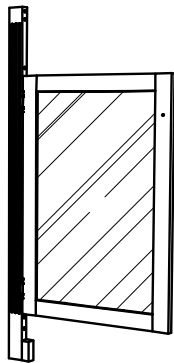
Quantity:
1 pc

(JR)



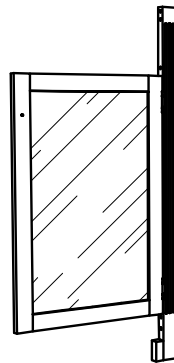
Quantity:
1 pc

(KL)



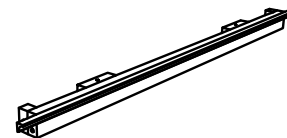
Quantity:
1 pc

(KR)



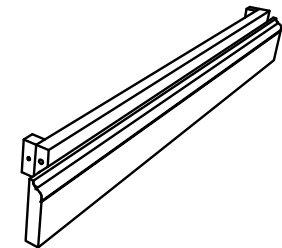
Quantity:
1 pc

(L)



Quantity:
1 pc

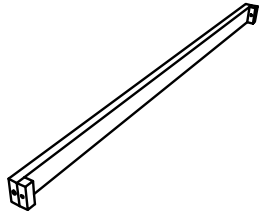
(M)



Quantity:
1 pc

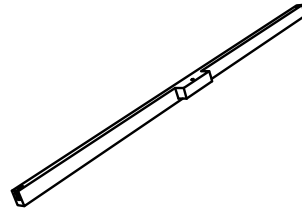
PARTS LIST

N



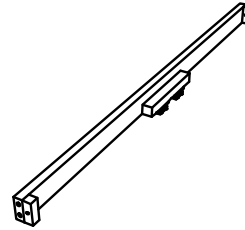
Quantity:
1 pc

O



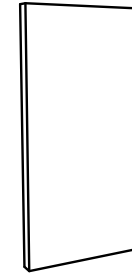
Quantity:
1 pc

P



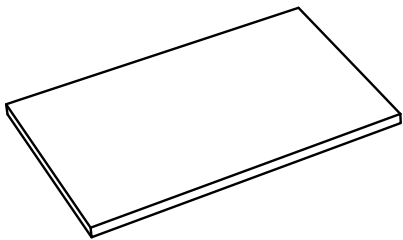
Quantity:
1 pc

Q



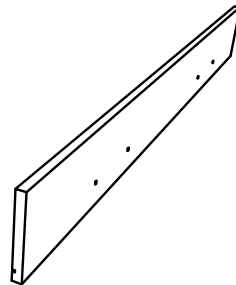
Quantity:
2 pcs

R



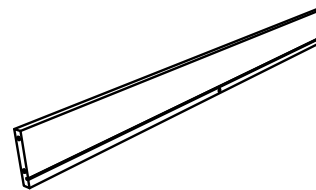
Quantity:
1 pc

S



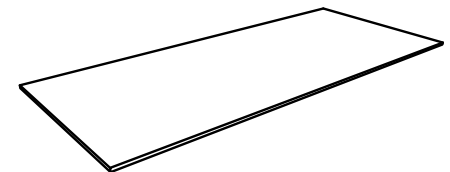
Quantity:
1 pc

T



Quantity:
1 pc

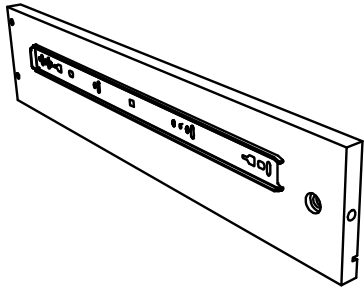
U



Quantity:
1 pc

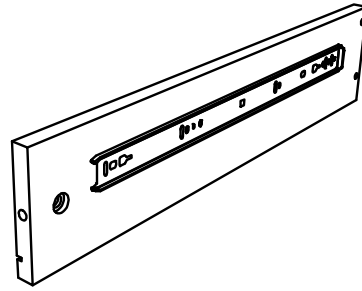
PARTS LIST

WL



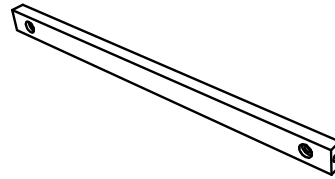
Quantity:
1 pc

WR

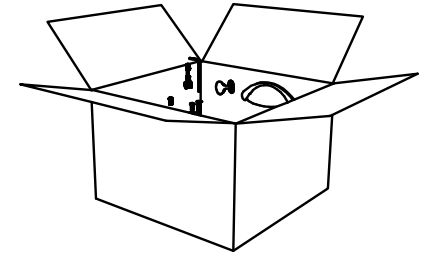


Quantity:
1 pc

X







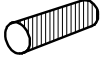


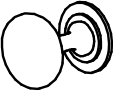



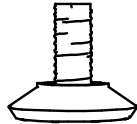


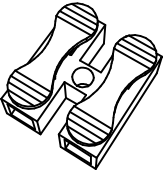



Quantity:
1 pc

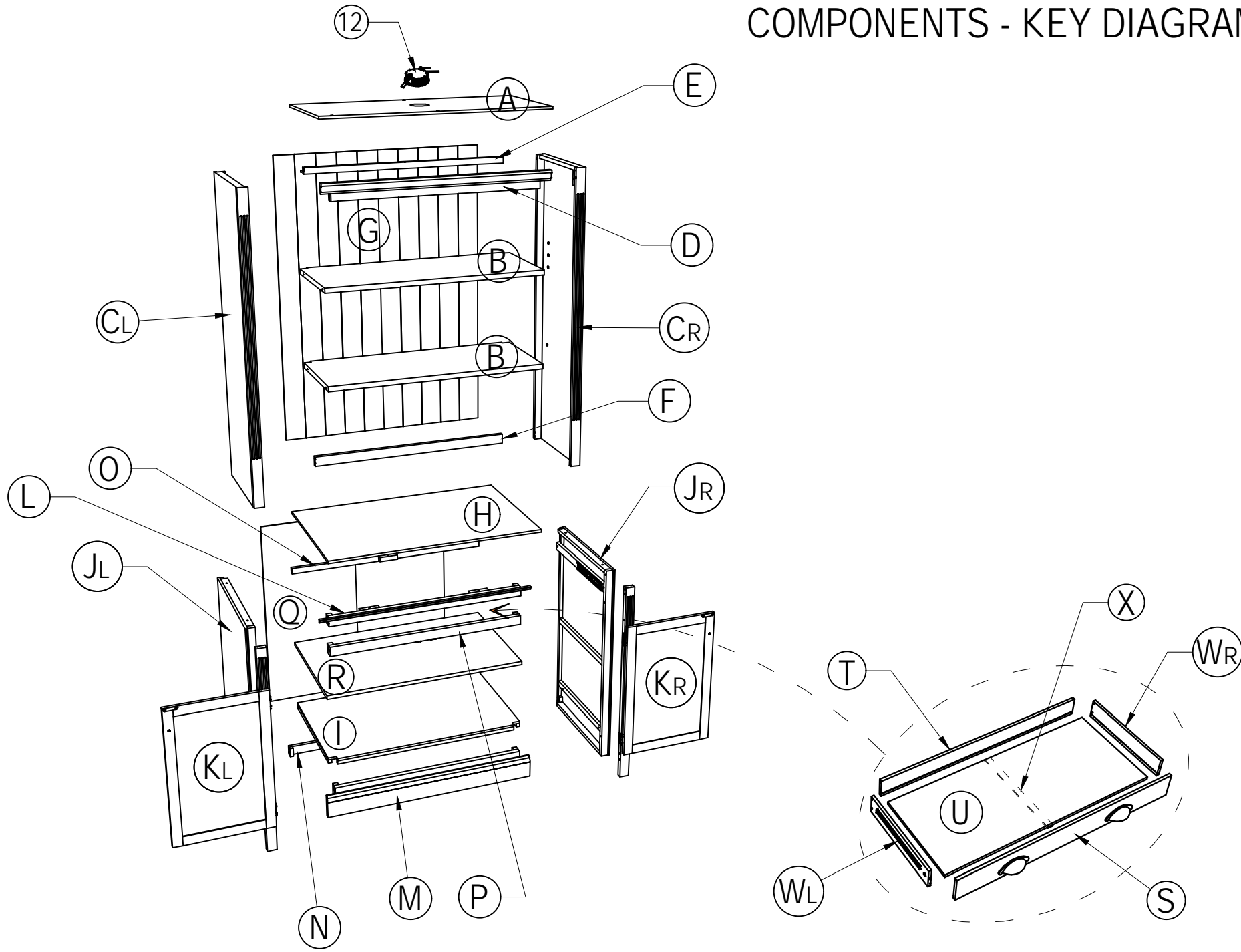


HARDWARE

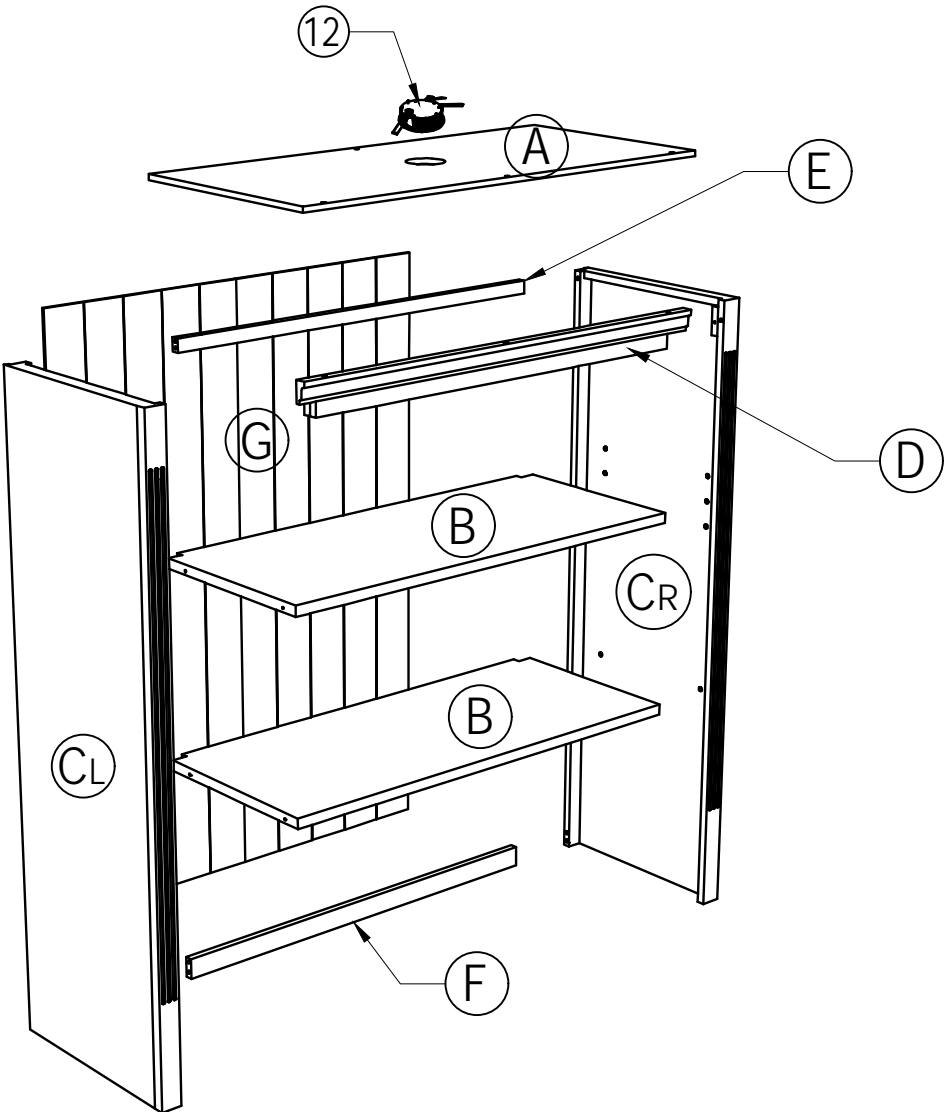
HARDWARE LIST

| | | | | | | | | |
|--|--|--|--|--|--|--|--|--|
| <p>①</p>  <p>Allen key Quantity: 1 pc</p> | <p>②</p>  <p>Cam lock pin Cam lock Quantity: 4 pc</p> | <p>③</p>  <p>6x30mm Quantity: 47 pcs + extra 3pcs</p> | <p>④</p>  <p>6x16mm Quantity: 39 pcs + extra 3pcs</p> | <p>⑤</p>  <p>4x25mm Quantity: 2 pcs</p> | <p>⑥</p>  <p>4x15mm Quantity: 4 pcs</p> | <p>⑦</p>  <p>8x30mm Quantity: 20 pcs + extra 2pcs</p> | <p>⑧</p>  <p>5x30mm Quantity: 8 pcs</p> | <p>⑨</p>  <p>3x15mm Quantity: 46 pcs + extra 3pcs</p> |
| <p>⑩</p>  <p>Quantity: 2 pcs</p> | <p>⑪</p>  <p>Quantity: 2 pcs</p> | <p>⑫</p>  <p>Led light Quantity: 1 pc</p> | <p>⑬</p>  <p>Screwdrivers Quantity: 1 pc</p> | <p>⑭</p>  <p>15x20mm Quantity: 4 pcs</p> | <p>⑮</p>  <p>20x80mm Quantity: 2 pcs</p> | <p>⑯</p>  <p>4x20mm Quantity: 4 pcs</p> | <p>⑰</p>  <p>Quantity: 2 pcs</p> | <p>⑱</p>  <p>Quantity: 4 pcs</p> |

COMPONENTS - KEY DIAGRAM



COMPONENTS - KEY DIAGRAM



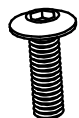
STEP 1

1



1 pc

3



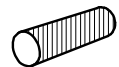
6x30mm
1 pc

4



6x16mm
1 pc

7



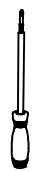
8x30mm
4 pcs

8

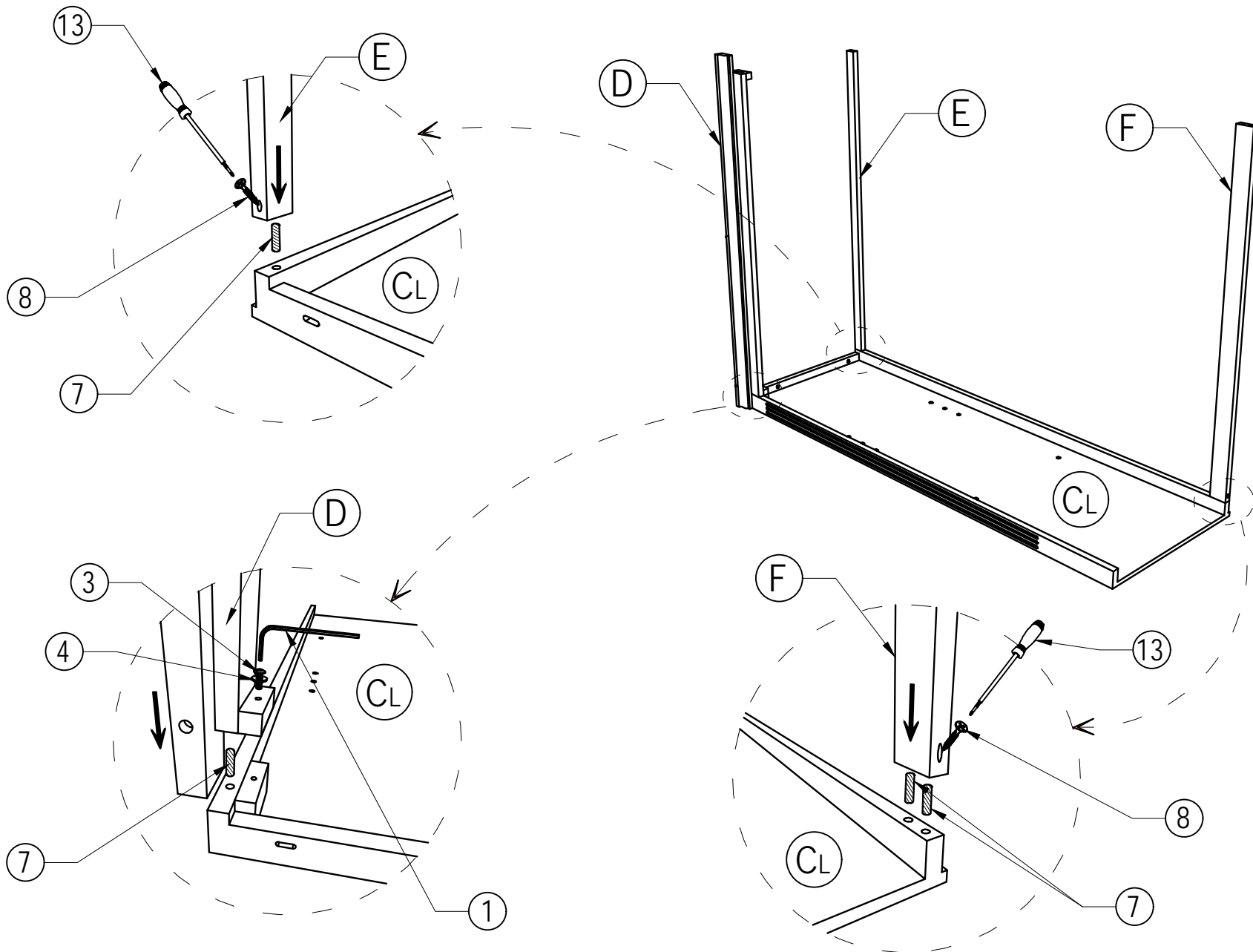


5x30mm
2 pcs

13



1 pc



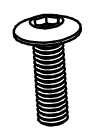
STEP 2

1



1 pc

3

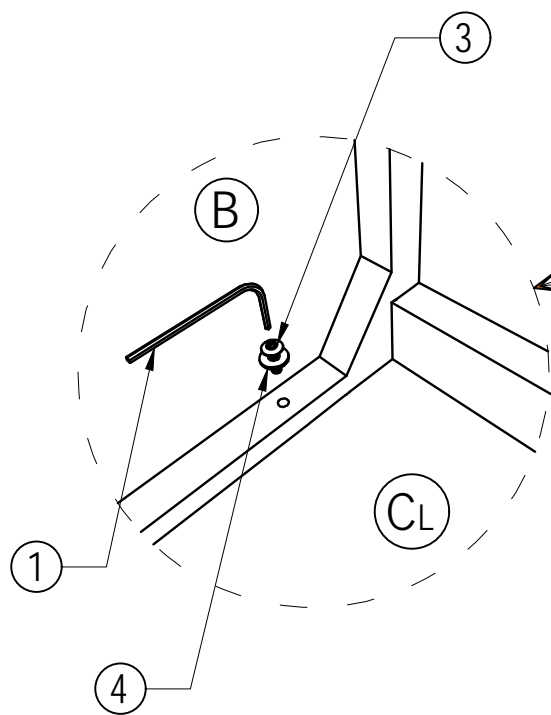


6x30mm
4 pcs

4



6x16mm
4 pcs



D

E

F

B

B

CL

3

B

CL

1

4

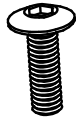
STEP 3

1



1 pc

3



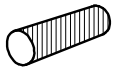
6x30mm
5 pcs

4



6x16mm
5 pcs

7



8x30mm
4 pcs

8

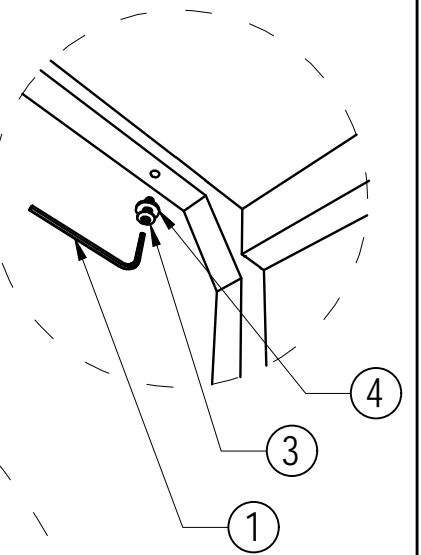
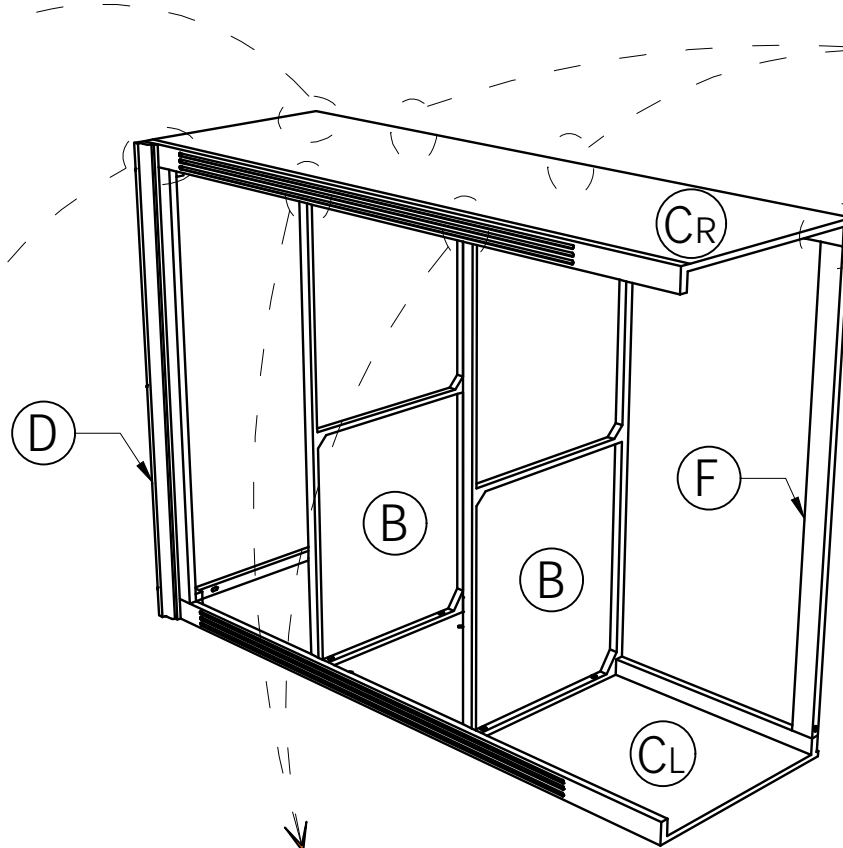
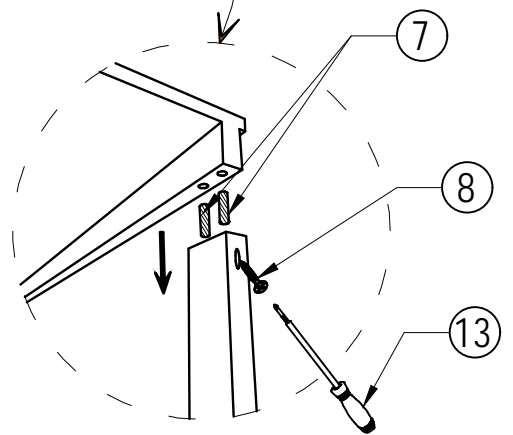
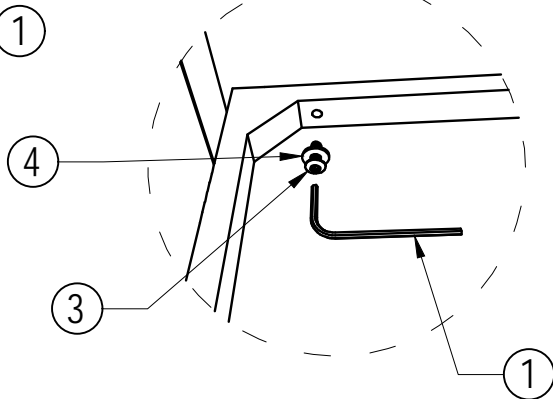
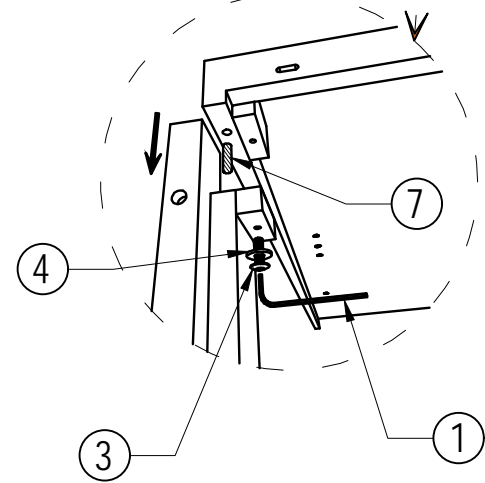
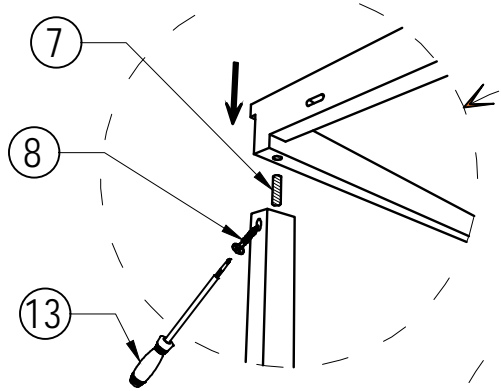


5x30mm
2 pcs

13



1 pc



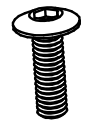
STEP 4

1



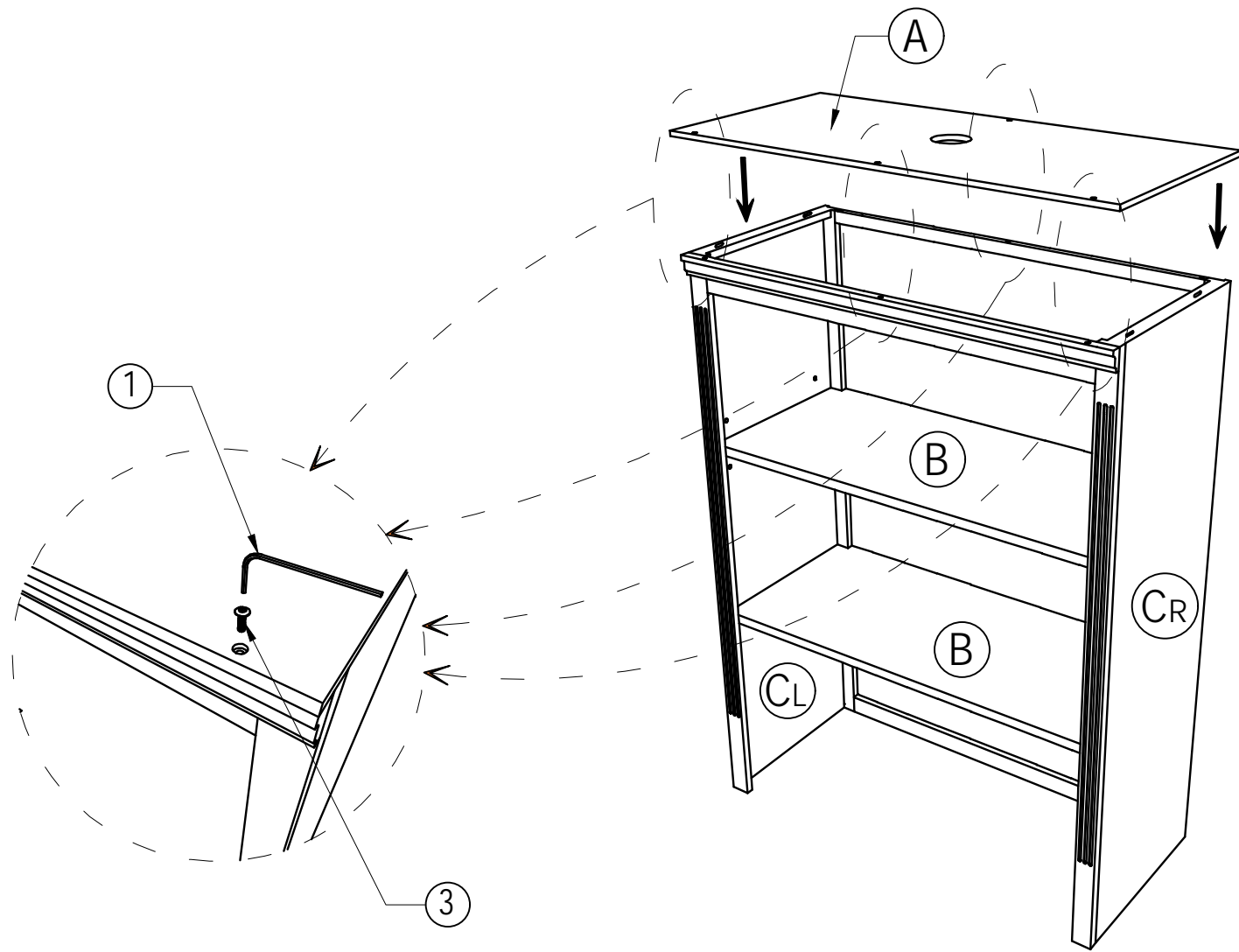
1 pc

3



6x30mm

4 pcs



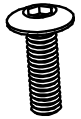
STEP 5

1



1 pc

3

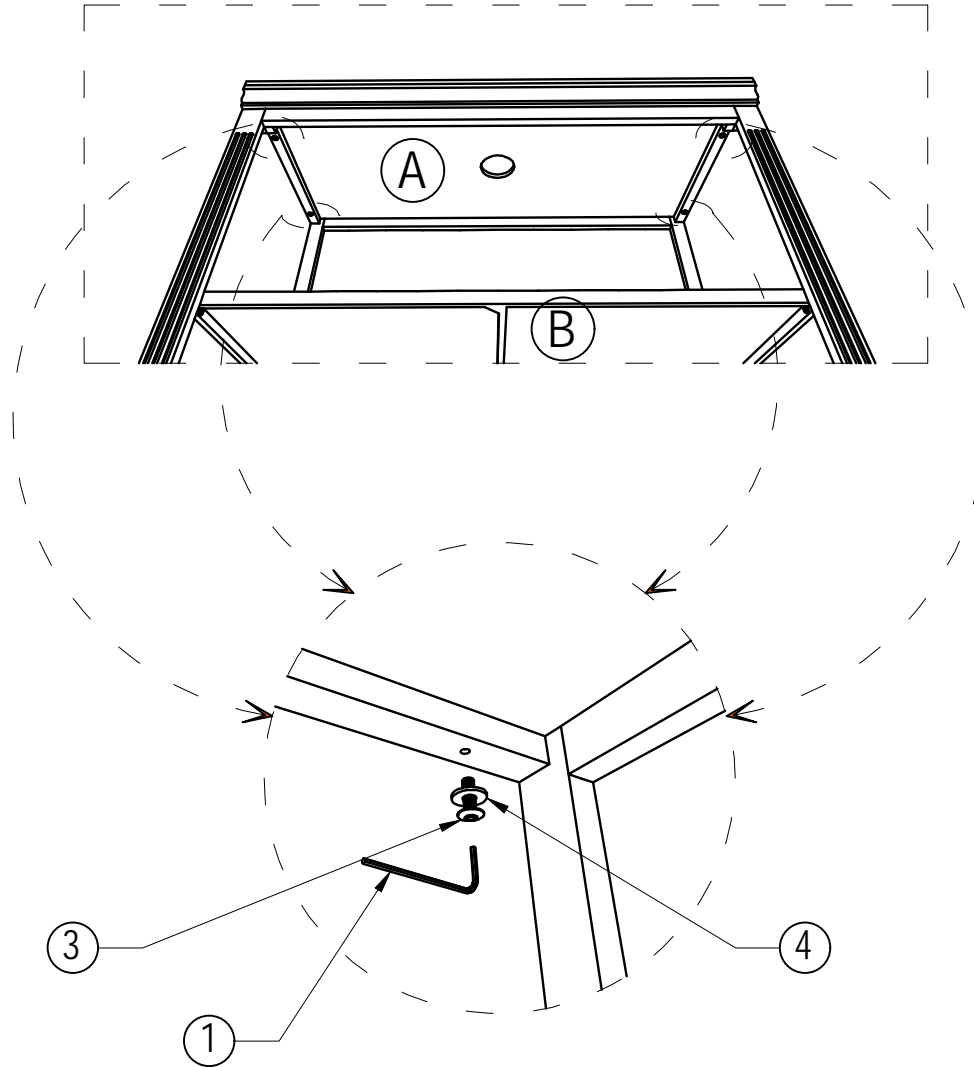


6x30mm
4 pcs

4



6x16mm
4 pcs



STEP 6

9

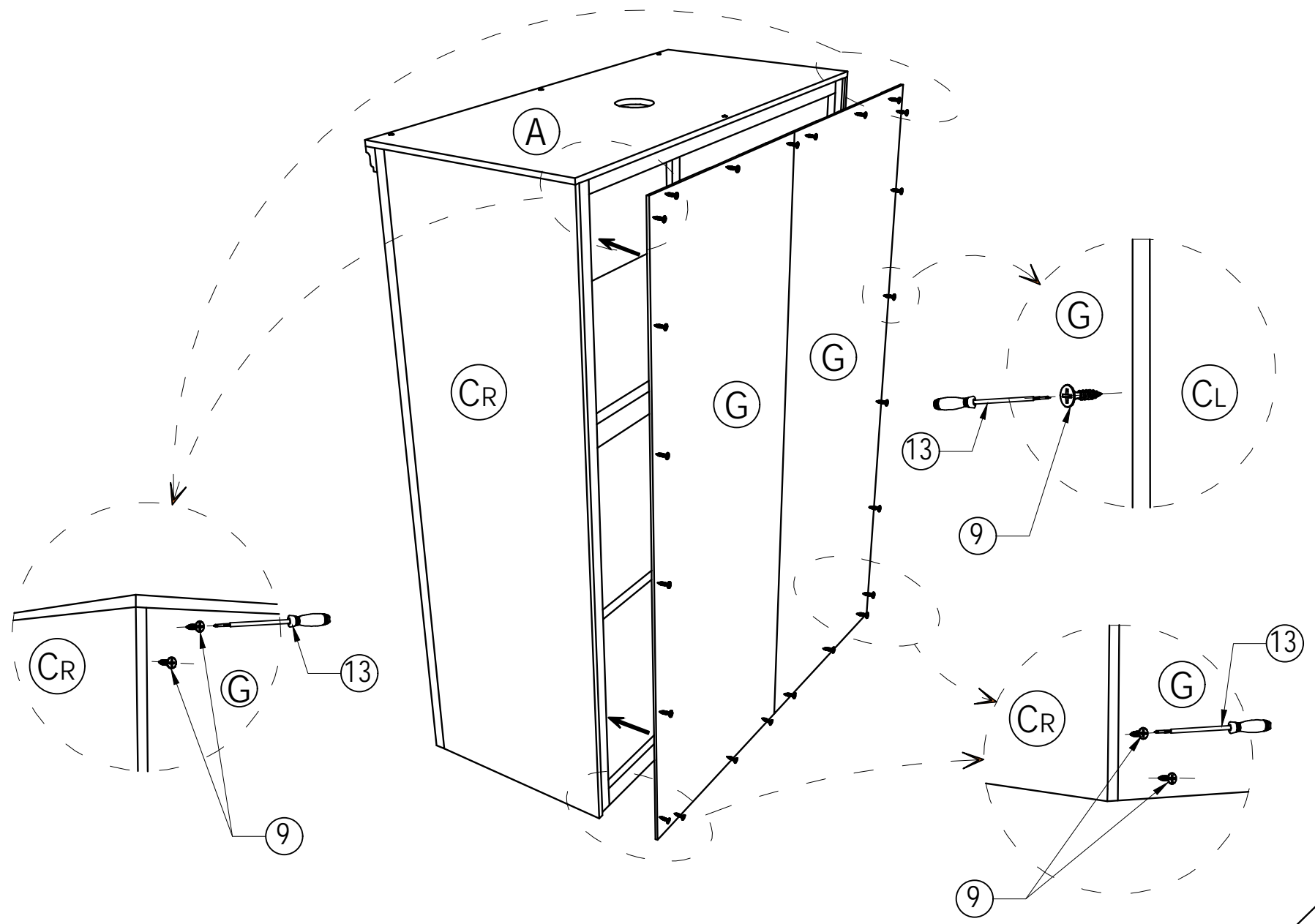


3x15mm
24 pcs

13



1 pc



12



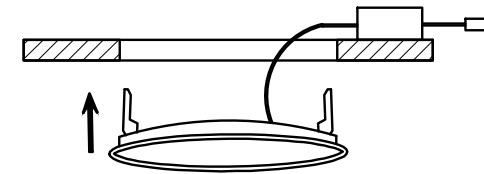
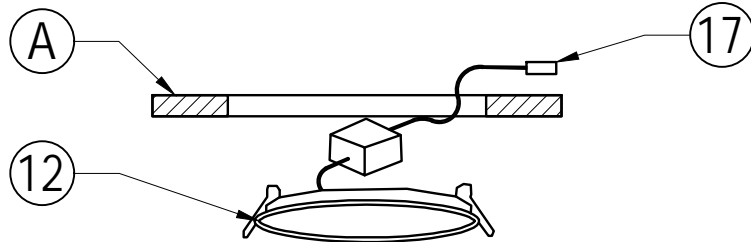
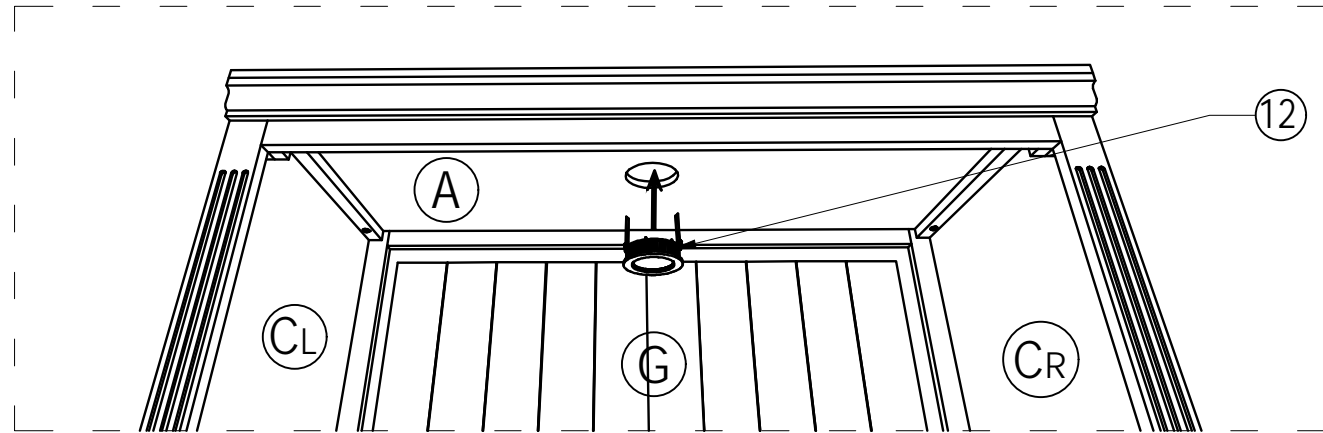
1 pc

17



2 pcs

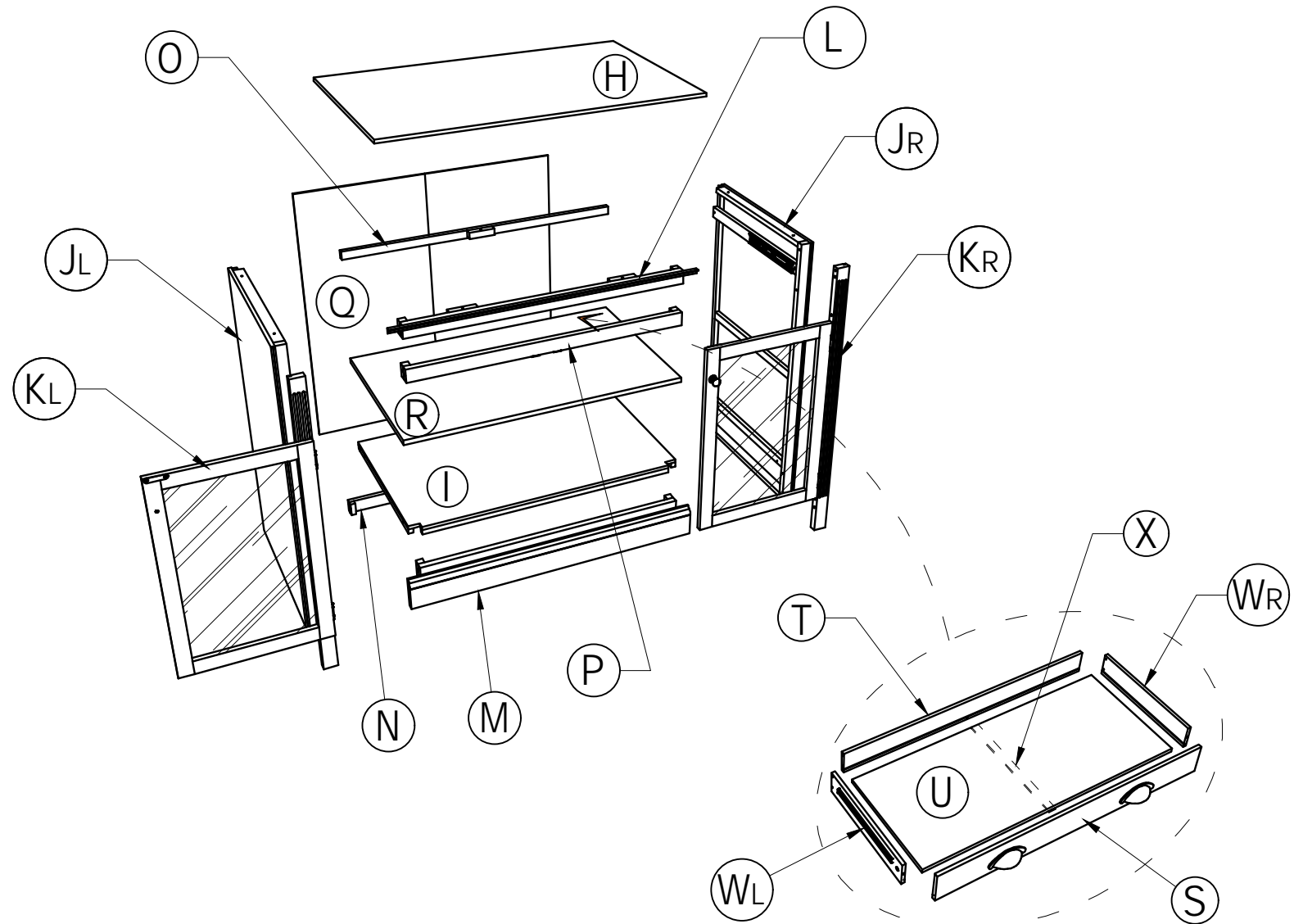
STEP 7



1. First, turn off the power at home. After turning off the power at home, put on insulating gloves to handle it. Connect the wires of the lamp and the wires at home through component #17 (insert several wires into the slot of component #17), and you can use it.

2. If you still don't understand, you can watch the video provided. The yellow wire in the video is the electrical wire that can be powered in the user's home.

COMPONENTS - KEY DIAGRAM



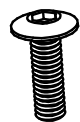
STEP 8

1



1 pc

3

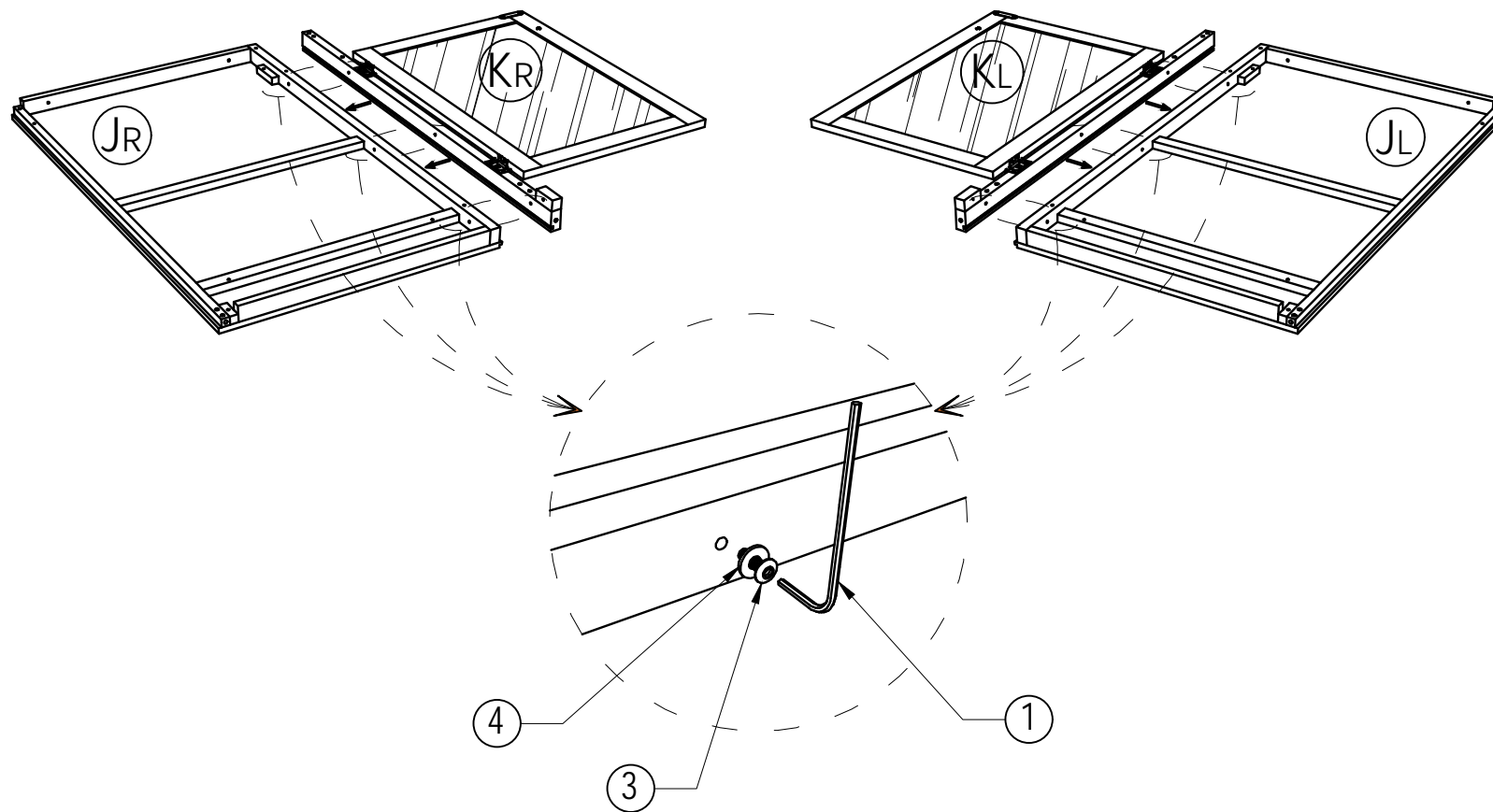


6x30mm
6 pcs

4



6x16mm
6 pcs



STEP 9

①



1 pc

③



6x30mm
3 pcs

④

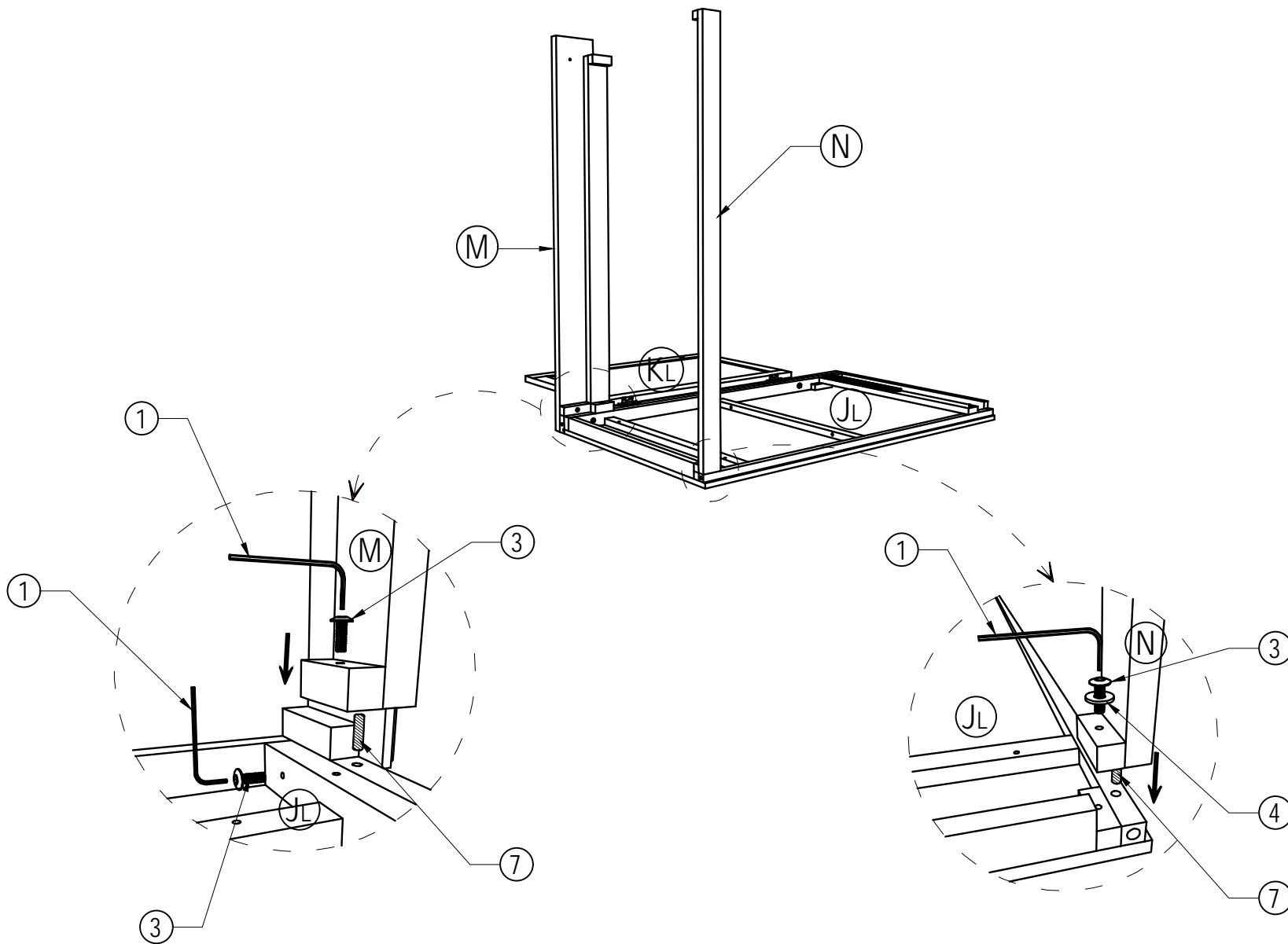


6x16mm
1 pc

⑦



8x30mm
2 pcs



STEP 10

①



1 pc

③



6x30mm
2 pcs

④



6x16mm
2 pcs

⑦



8x30mm
4 pcs

⑧

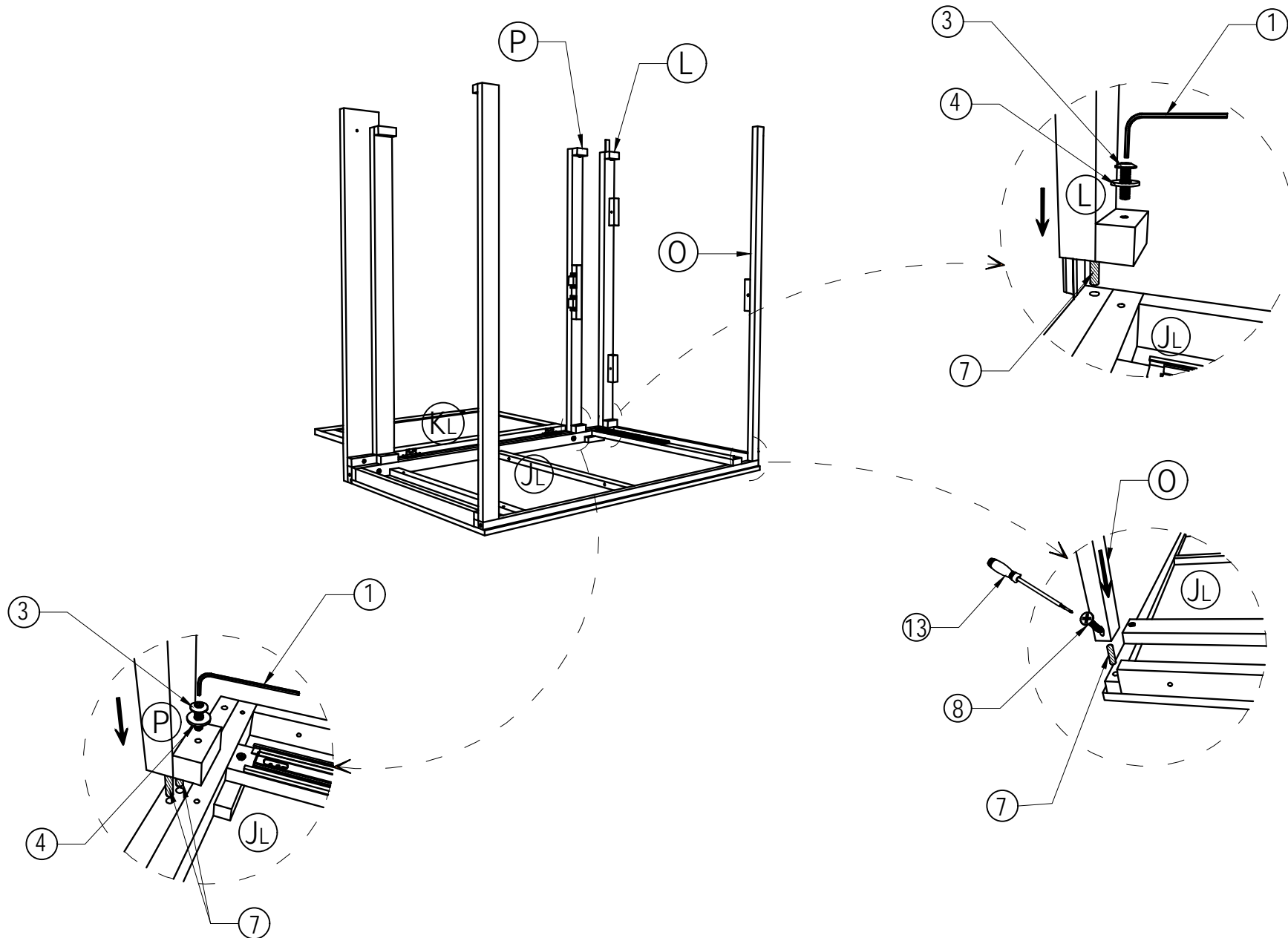


5x30mm
1 pc

⑬



1 pc



STEP 11

①



1 pc

③



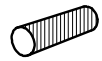
6x30mm
3 pcs

④

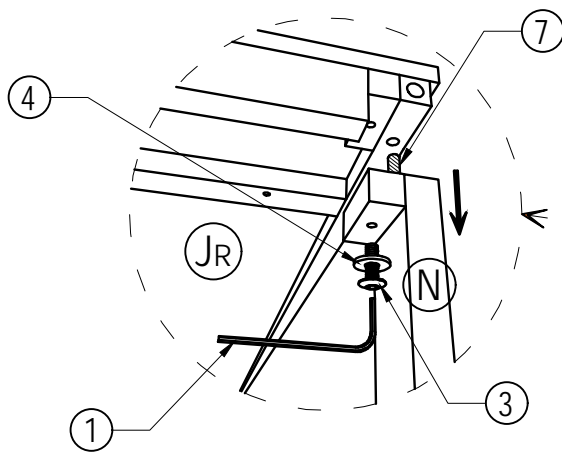
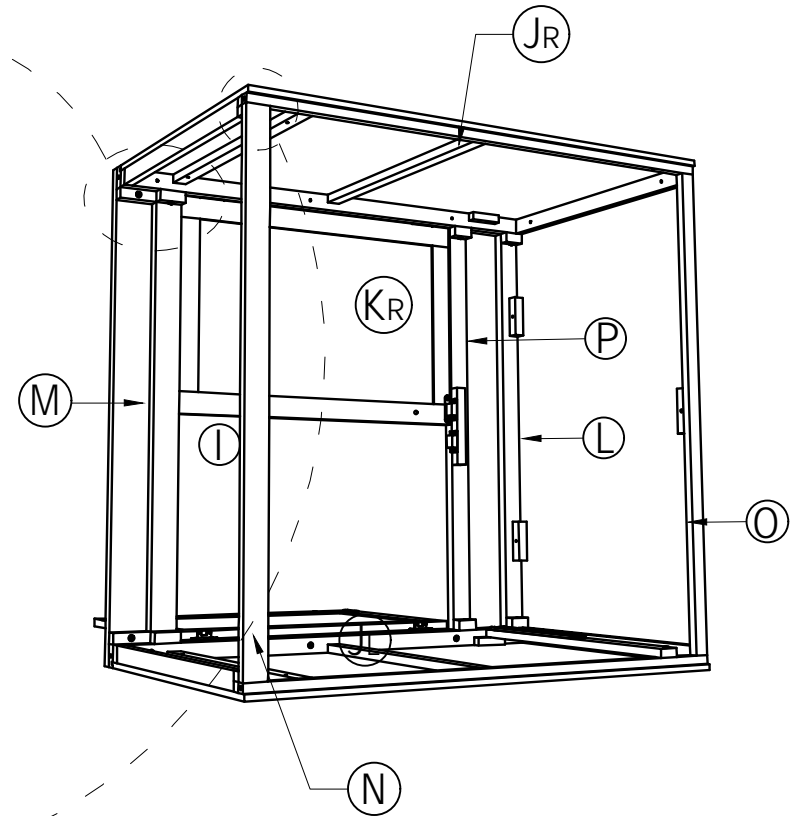
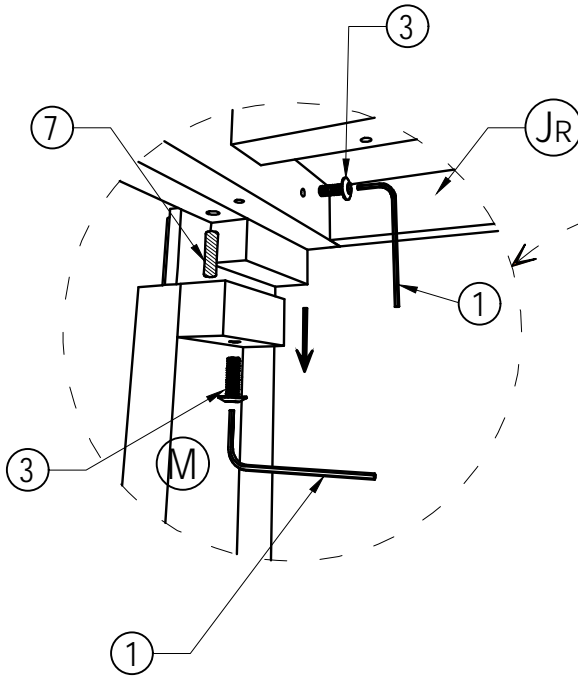


6x16mm
1 pc




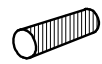


⑦

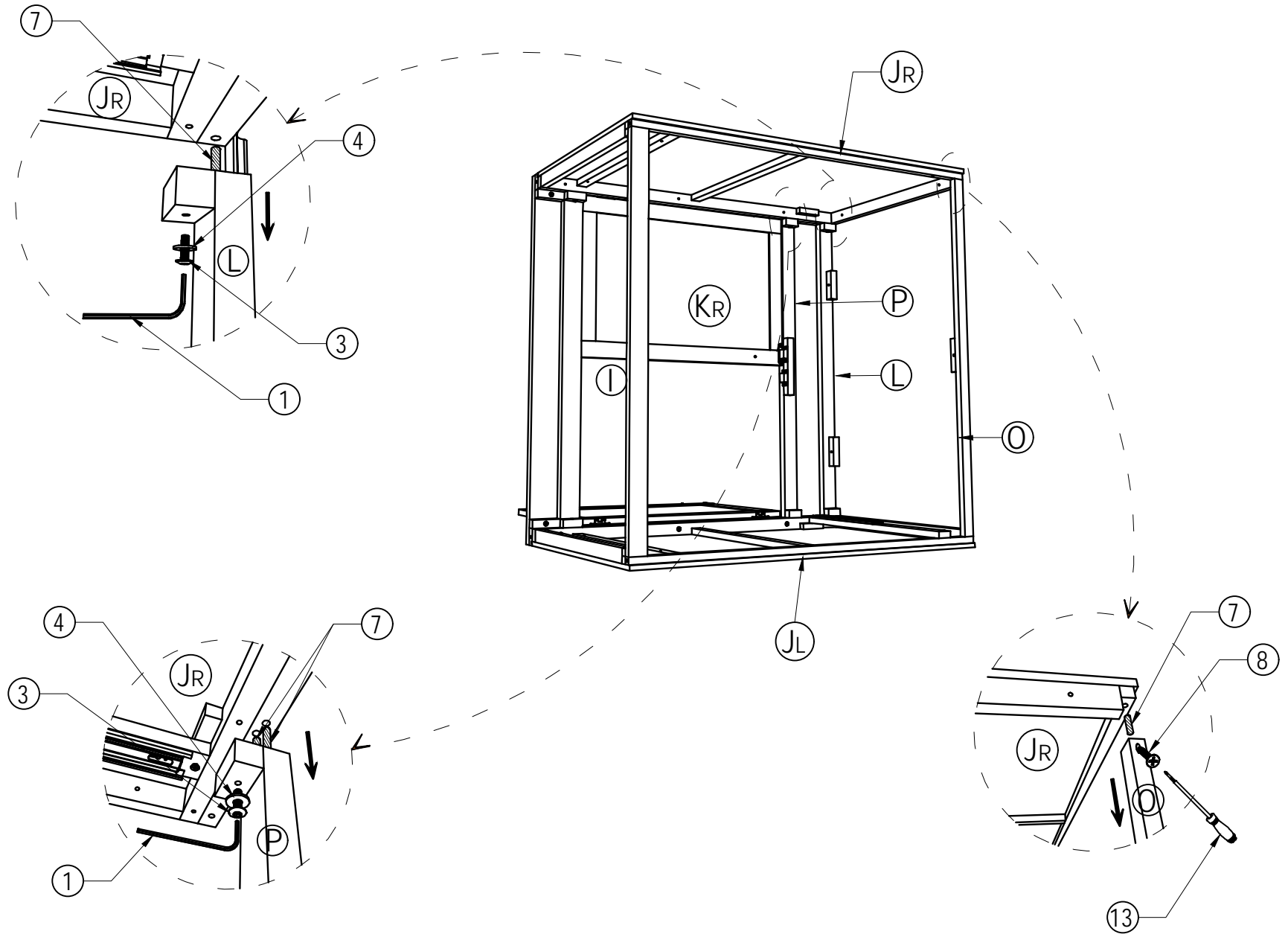


8x30mm
2 pcs






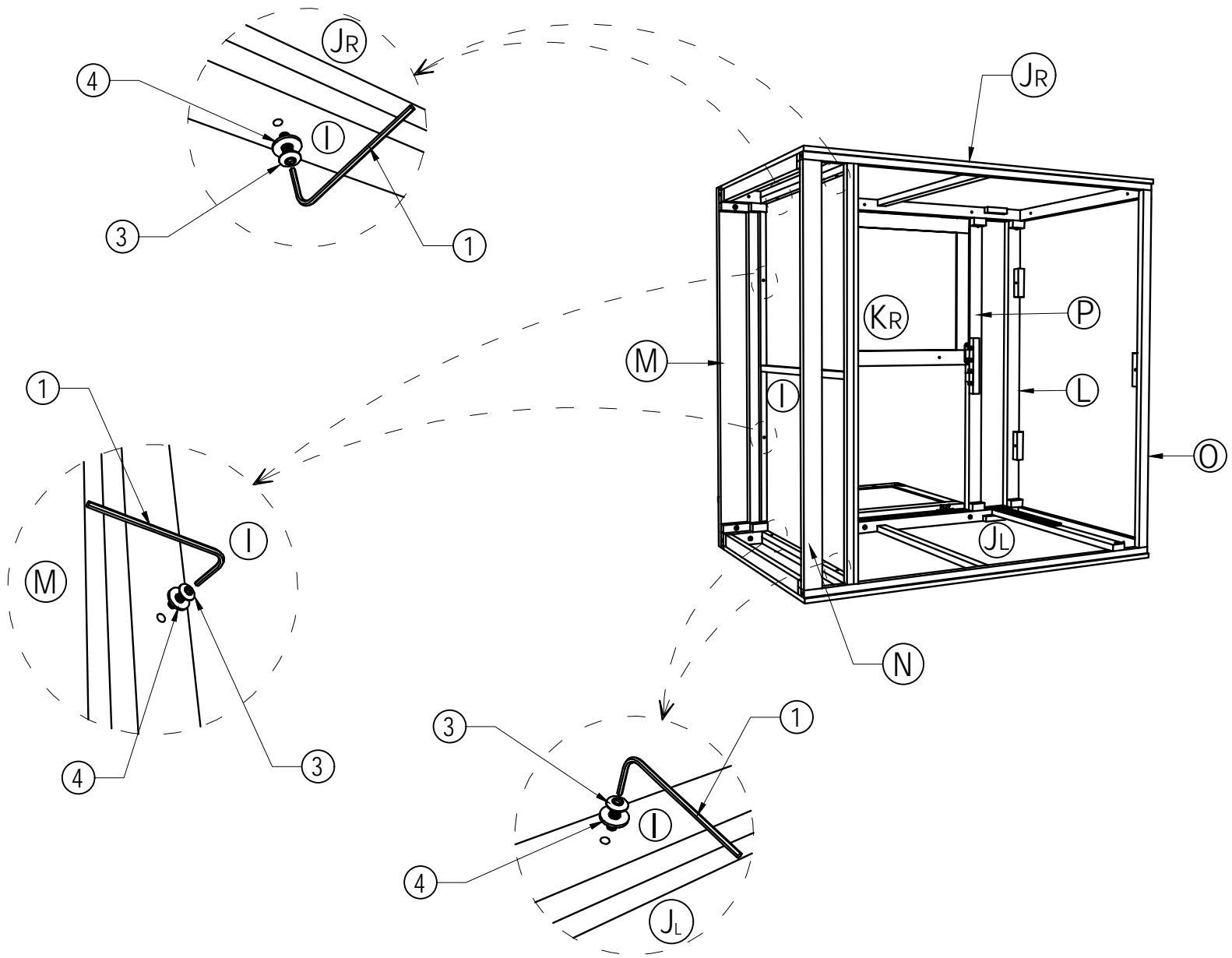
STEP 12

- ① 
1 pc
- ③ 
6x30mm
2 pcs
- ④ 
6x16mm
2 pcs
- ⑦ 
8x30mm
4 pcs
- ⑧ 
5x30mm
1 pc
- ⑬ 
1 pc

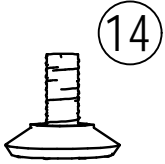


STEP 13

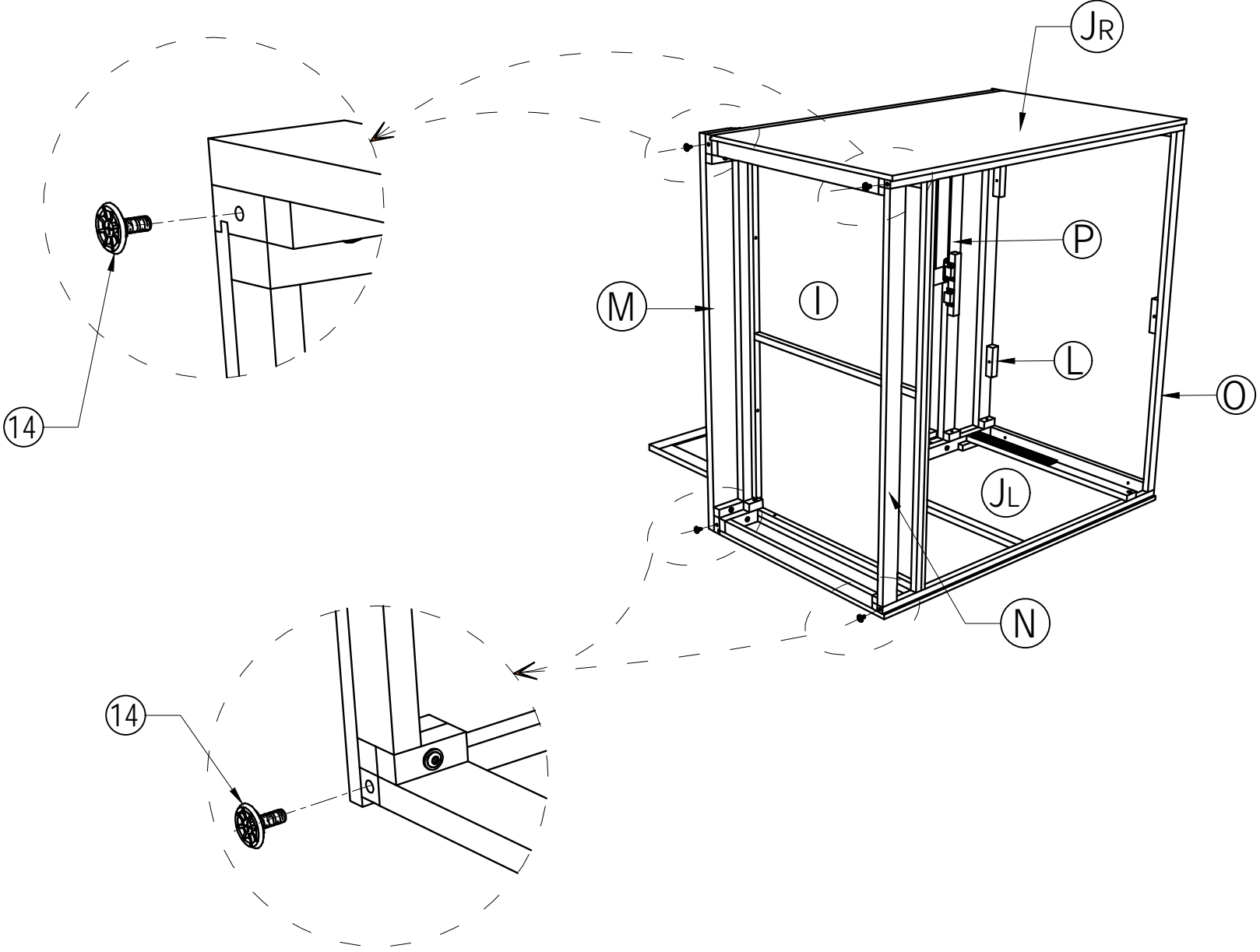
- ① 
1 pc
- ③ 
6x30mm
6 pcs
- ④ 
6x16mm
6 pcs



STEP 14



15x20mm
4 pcs



STEP 15

1



1 pc

3

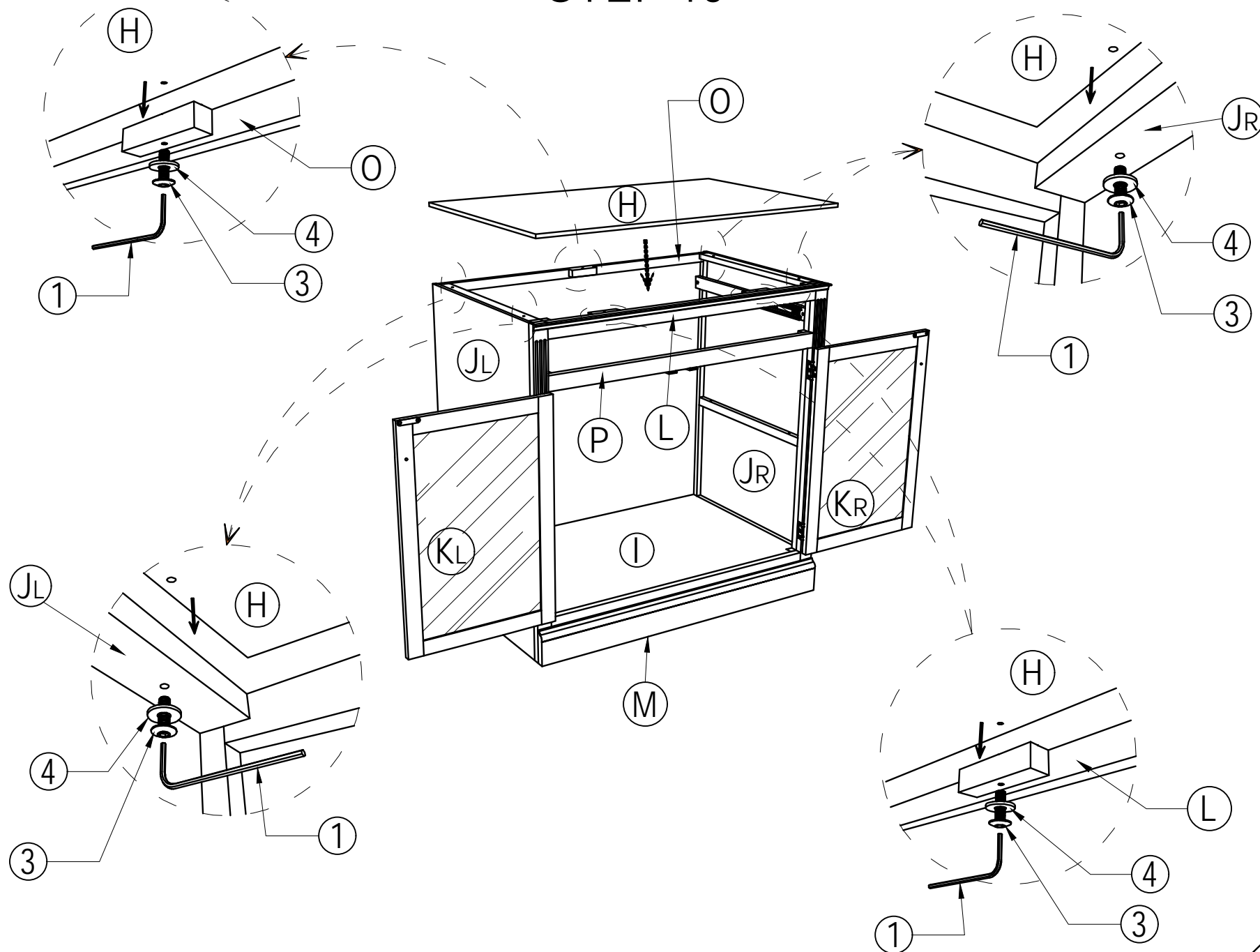


6x30mm
7 pcs

4



6x16mm
7 pcs



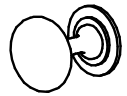
STEP 16

5

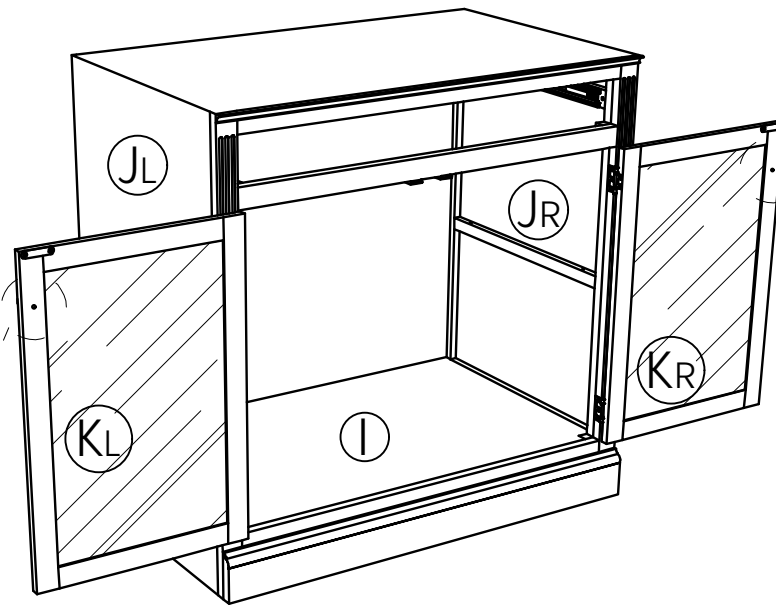


4x25mm
2 pcs

10

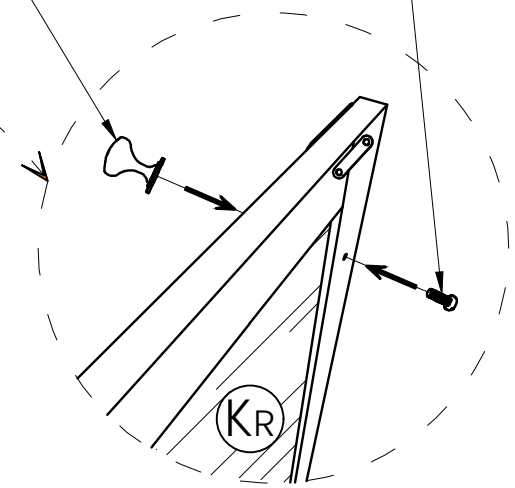


2 pcs



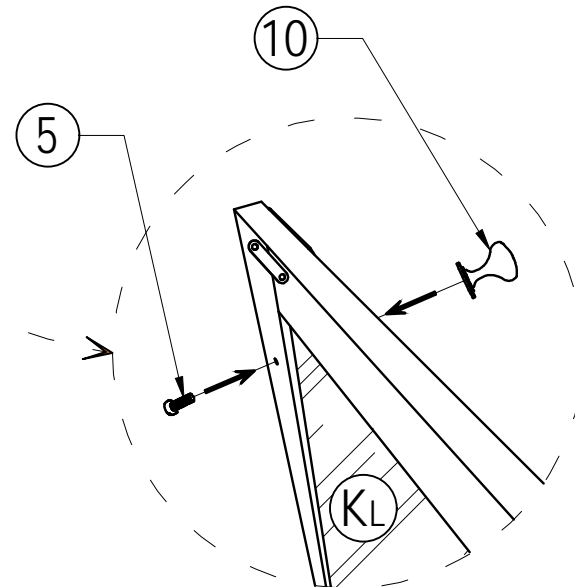
10

5



10

5



STEP 17

18

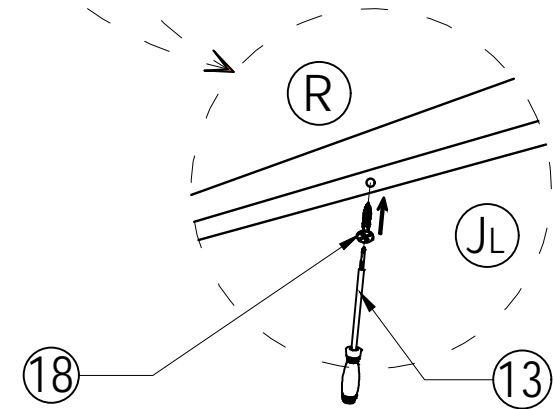
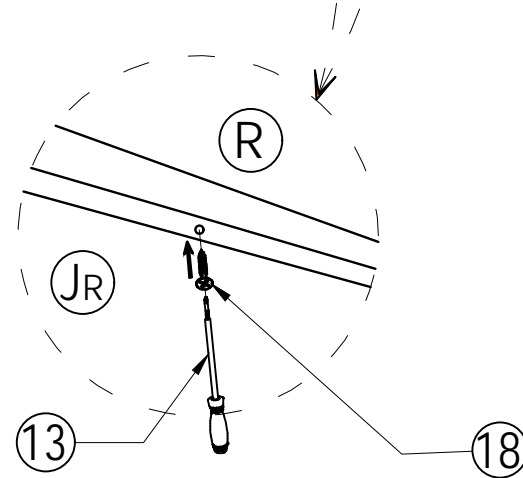
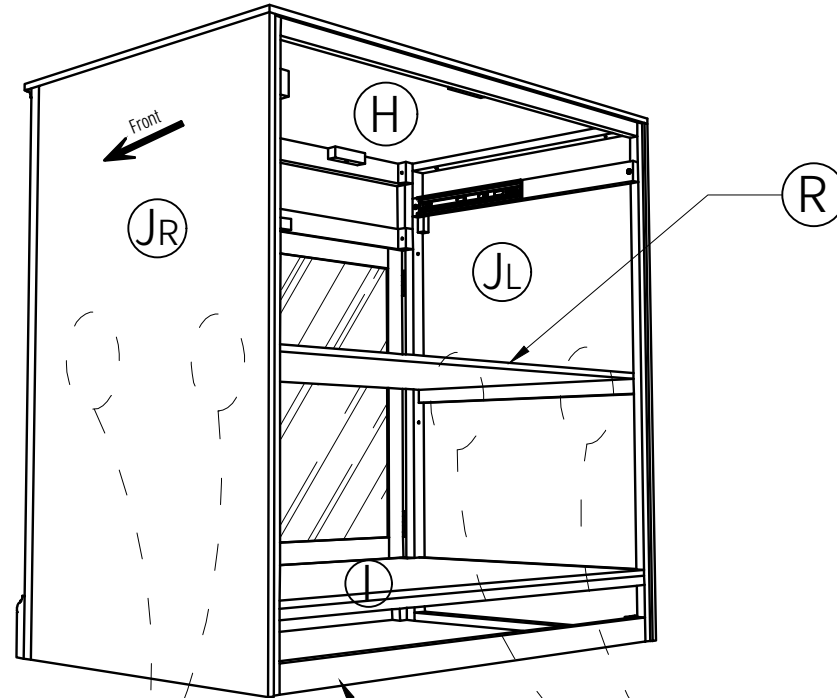


4x25mm
4 pcs

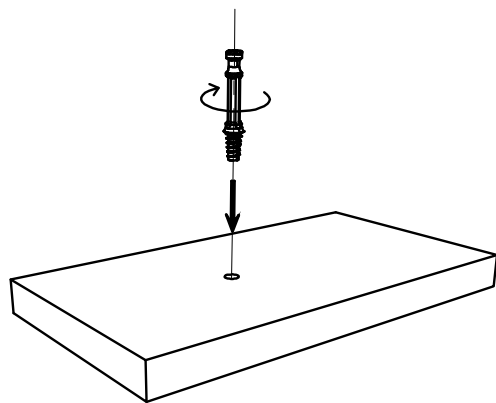
13



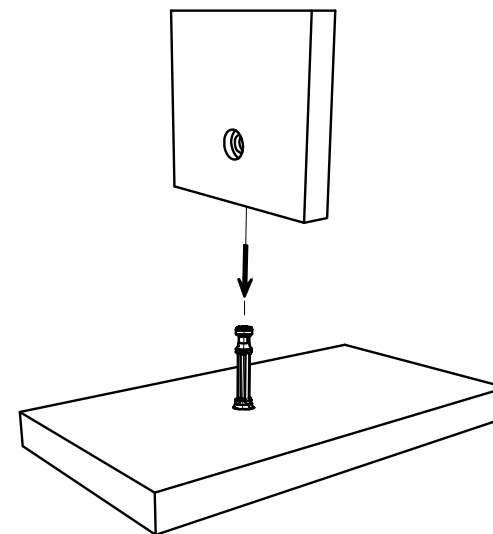
1 pc



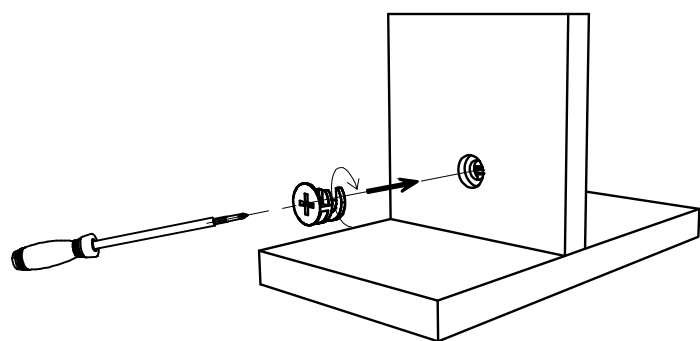
Typical way to install cam screws



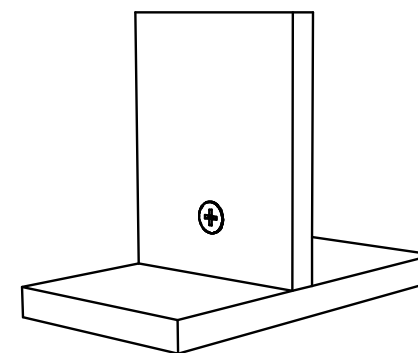
1



2



3



4. Done

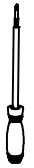
STEP 18

2

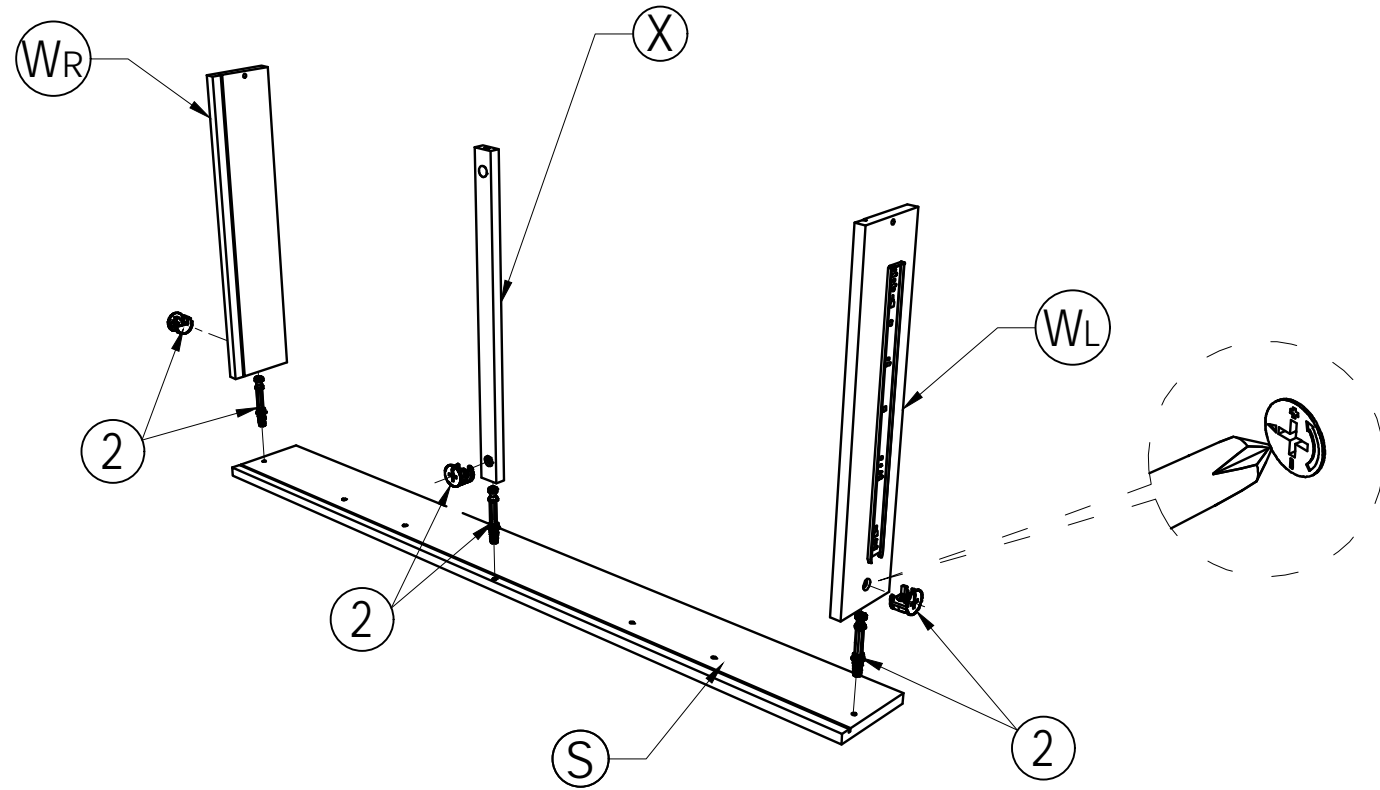


3 pcs

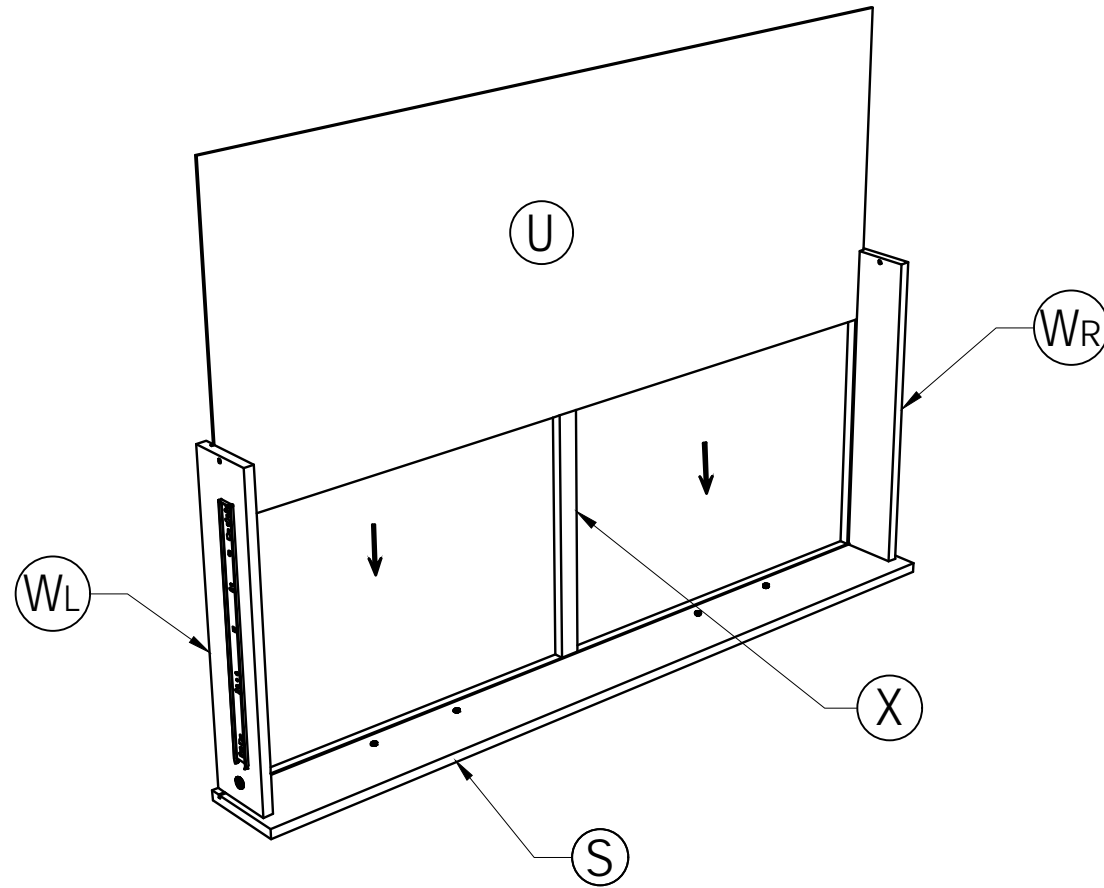
13



1 pc



STEP 19



STEP 20

2



1 pc

8

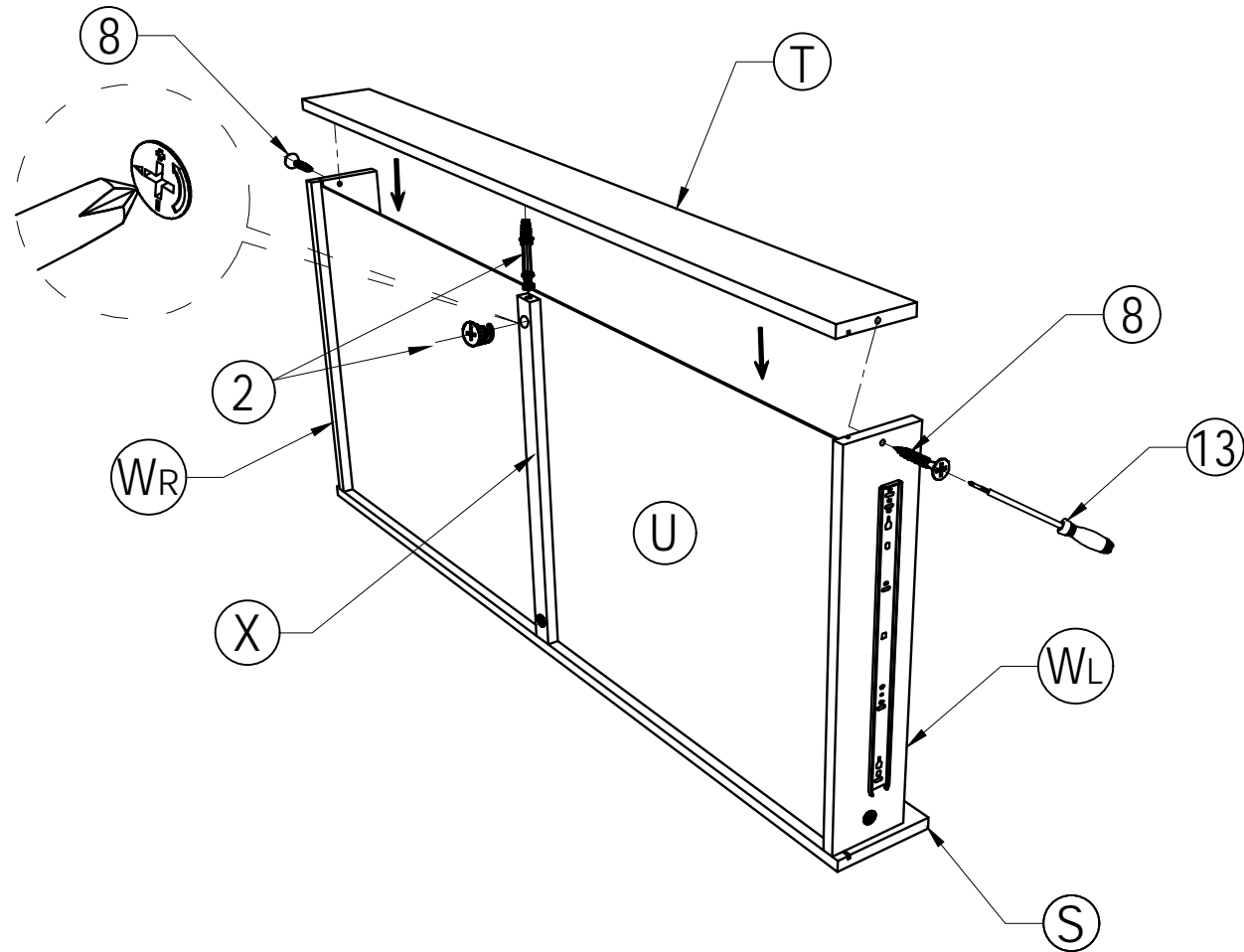


5x30mm
2 pcs

13



1 pc



6



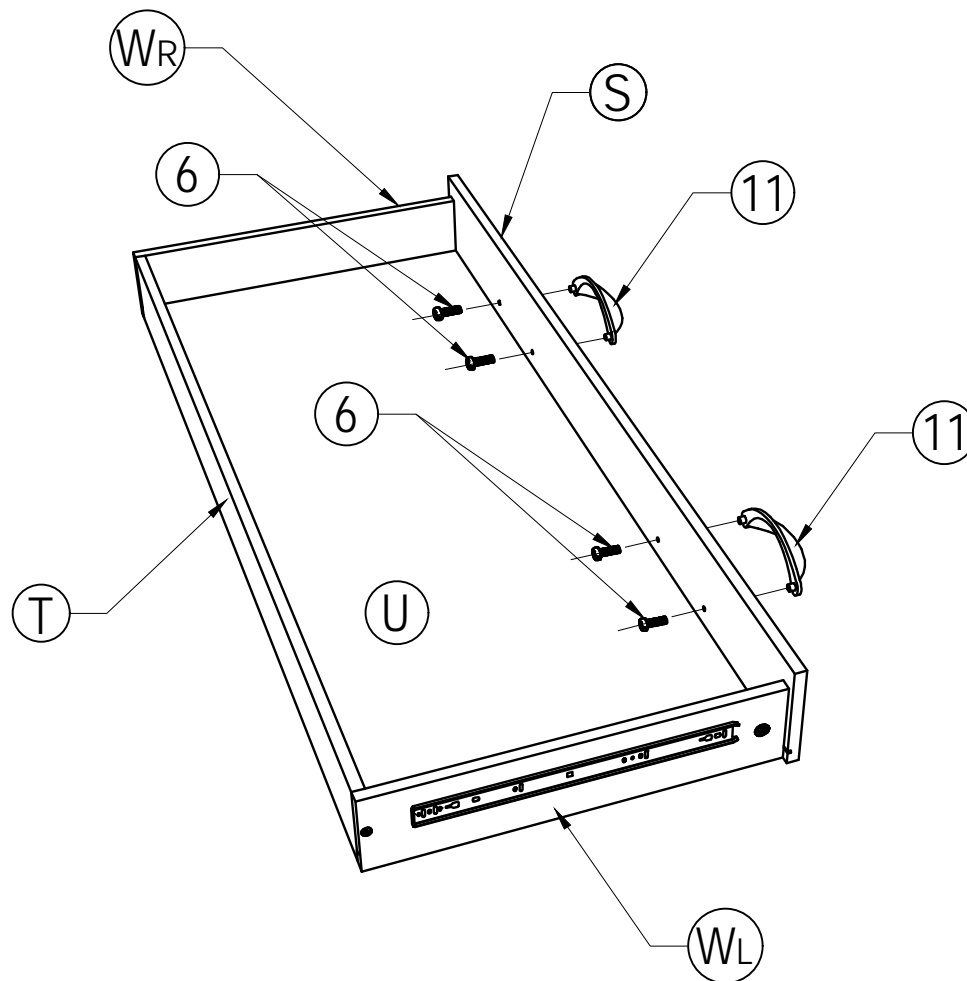
4x15mm
4 pcs

11

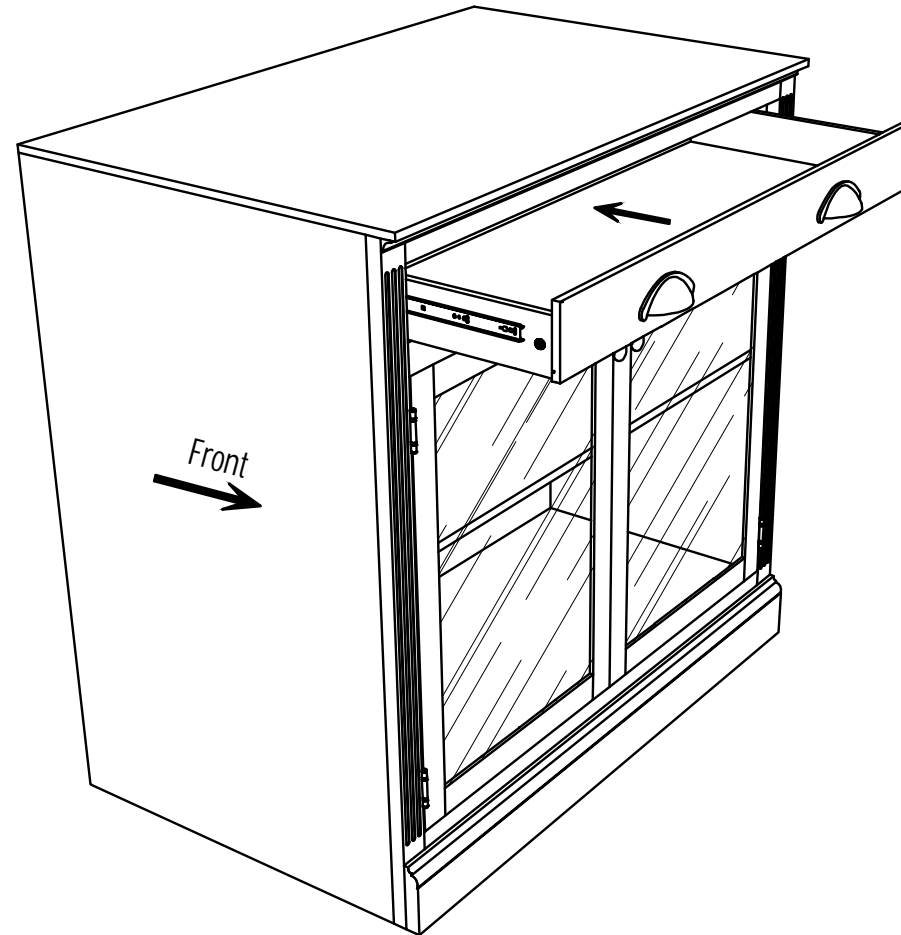


Quantity:
2 pcs

STEP 21



STEP 22



STEP 23

9

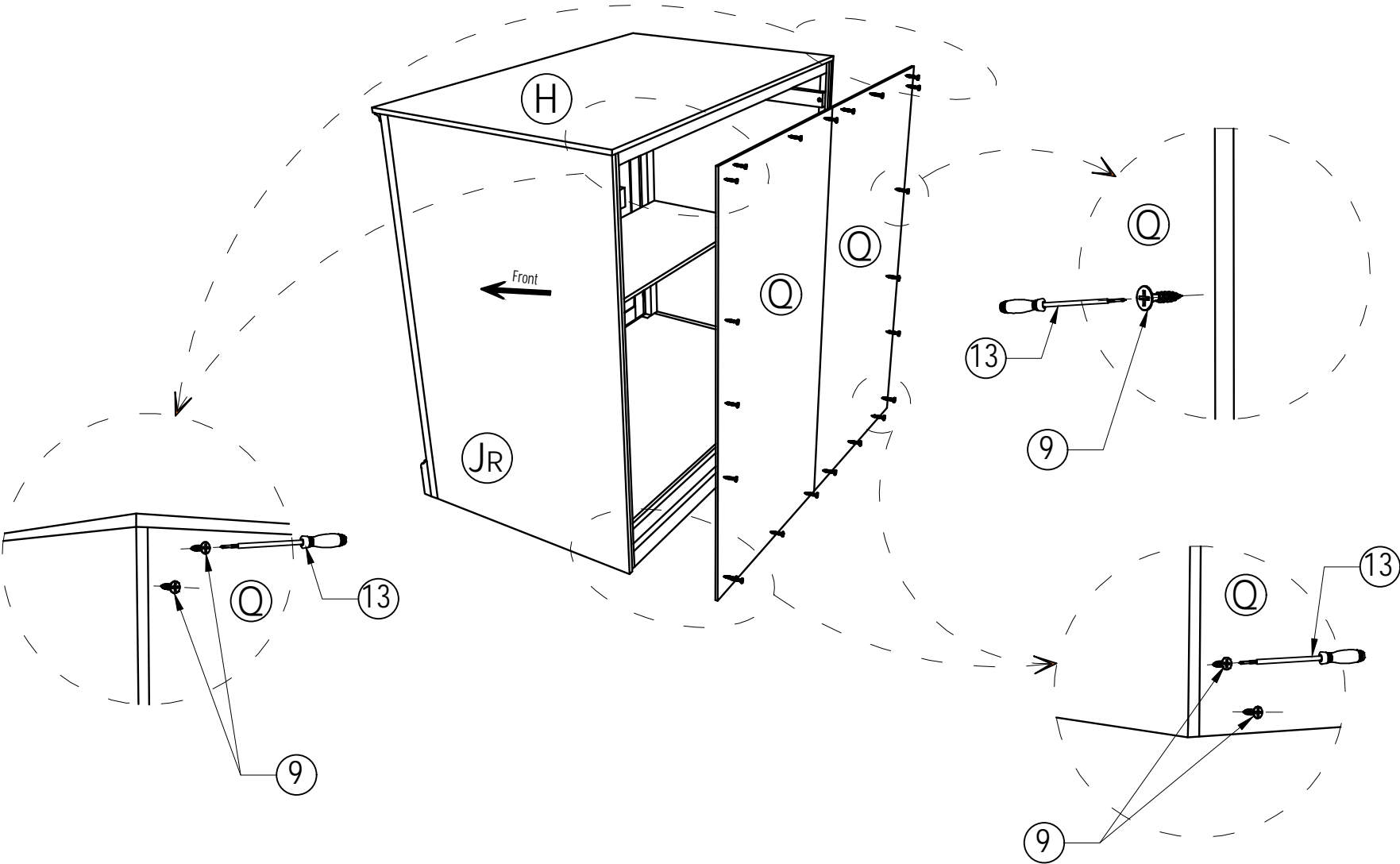


3x15mm
22 pcs

13



1 pc



STEP 24

15



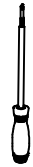
20x80mm
2 pcs

16



4x20mm
4 pcs

13



1 pc

