

Instruction Manual

Please save this manual for future reference.

Product Name:	3-Drawer Light Oak Finish Wood Dresser
----------------------	--






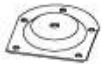










Thank you for purchasing. This product has been manufactured with the highest standards of safety and quality.

PLEASE READ ALL INSTRUCTIONS BEFORE ASSEMBLY.

Unpack all parts from the packaging inside the carton to ensure there are no missing or damaged parts. Do not attempt to assemble or use the product if any parts are missing or damaged.

CARTON CONTENTS:

Hardware

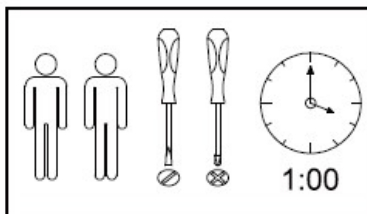
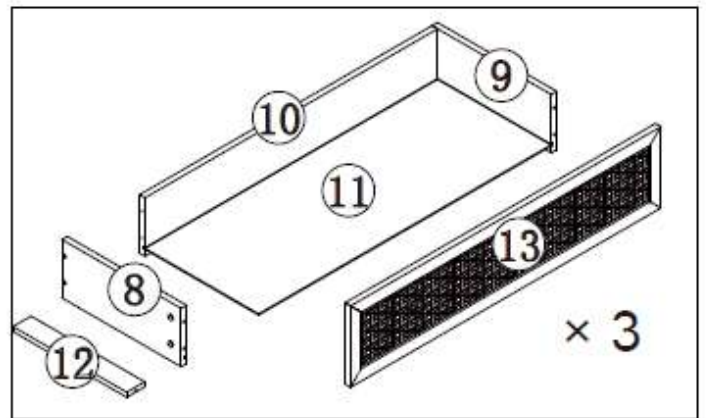
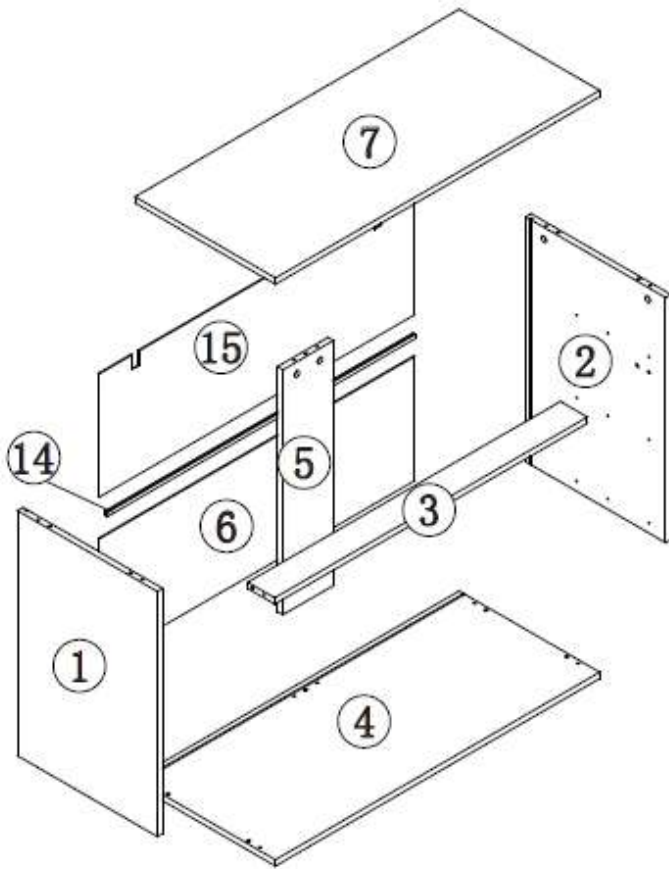
Ⓐ × 23 + 2	Ⓑ × 20 + 2	Ⓒ × 12 + 2	Ⓓ × 36 + 2	Ⓔ × 21 + 1
 M7×39		 M8×30	 M3.5×14	 M5×40
Ⓕ × 4	Ⓖ × 20 + 2	Ⓗ × 8 + 2	Ⓘ × 6	Ⓝ × 2
	 M4×14	 M3×16	 M4×10	 M4×30 M4×14
Ⓚ × 4	Ⓛ × 3	ⒸⓁ × 3	ⒸⓇ × 3	ⒹⓁ × 3
				
ⒹⓇ × 3				
				

Instruction Manual

Please save this manual for future reference.

Product Name:	3-Drawer Light Oak Finish Wood Dresser
----------------------	--

Panels








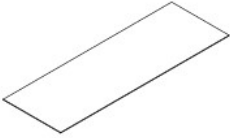
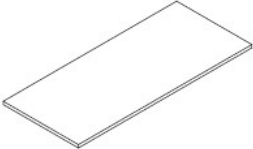


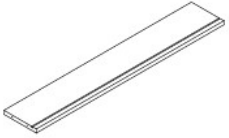
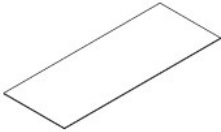



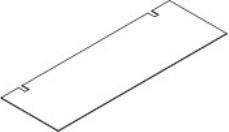
Tools required for assembly: Philips screwdriver and flathead screwdriver (if using power tools, use with care).

Instruction Manual

Please save this manual for future reference.

Product Name:	3-Drawer Light Oak Finish Wood Dresser
----------------------	--

Panels

① × 1	② × 1	③ × 1	④ × 1	⑤ × 1
				
⑥ × 1	⑦ × 1	⑧ × 3	⑨ × 3	⑩ × 3
				
⑪ × 3	⑫ × 3	⑬ × 3	⑭ × 1	⑮ × 1
				




Instruction Manual

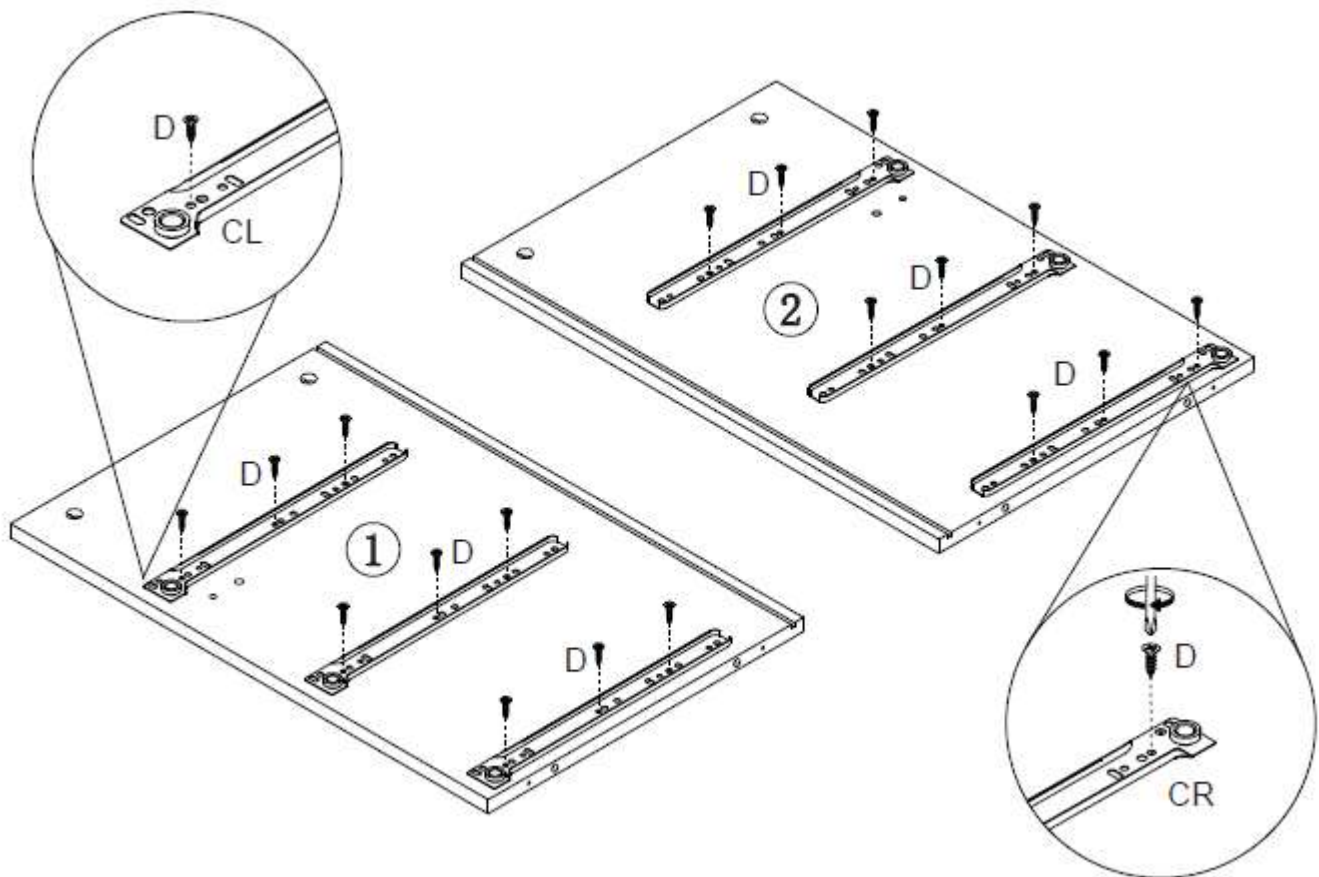
Please save this manual for future reference.

Product Name:	3-Drawer Light Oak Finish Wood Dresser
----------------------	--

ASSEMBLY INSTRUCTIONS:

Step 1: Install hardware CL to panel 1 using hardware D. Install hardware GR to panel 2 with hardware D.

$\textcircled{D} \times 18$	$\textcircled{CL} \times 3$	$\textcircled{CR} \times 3$
		

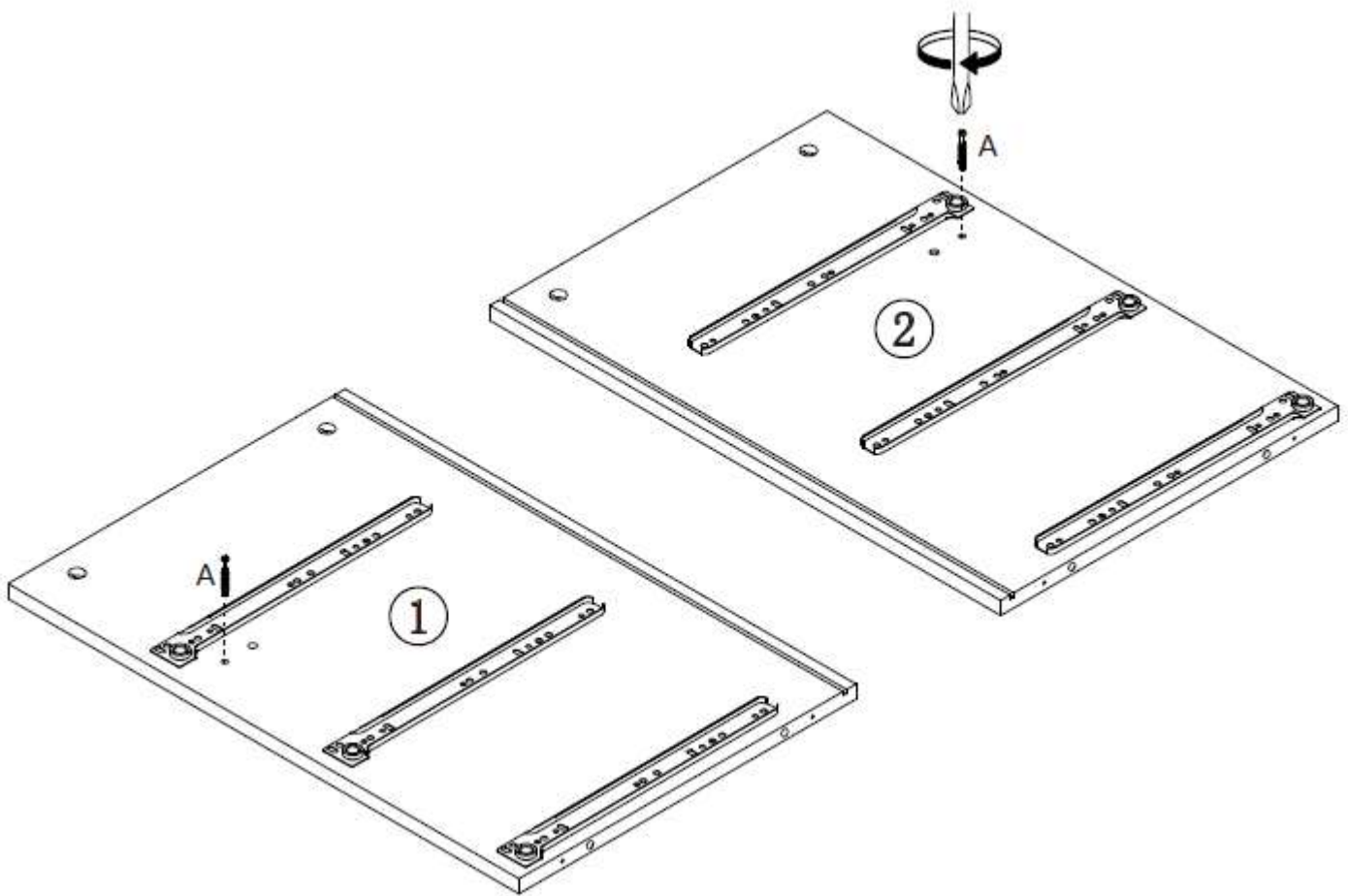
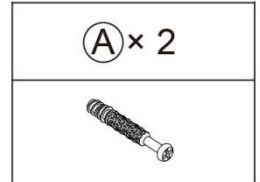


Instruction Manual

Please save this manual for future reference.

Product Name:	3-Drawer Light Oak Finish Wood Dresser
----------------------	--

Step 2: Install and tighten hardware A until the shoulder is flush with panels 1 and 2.





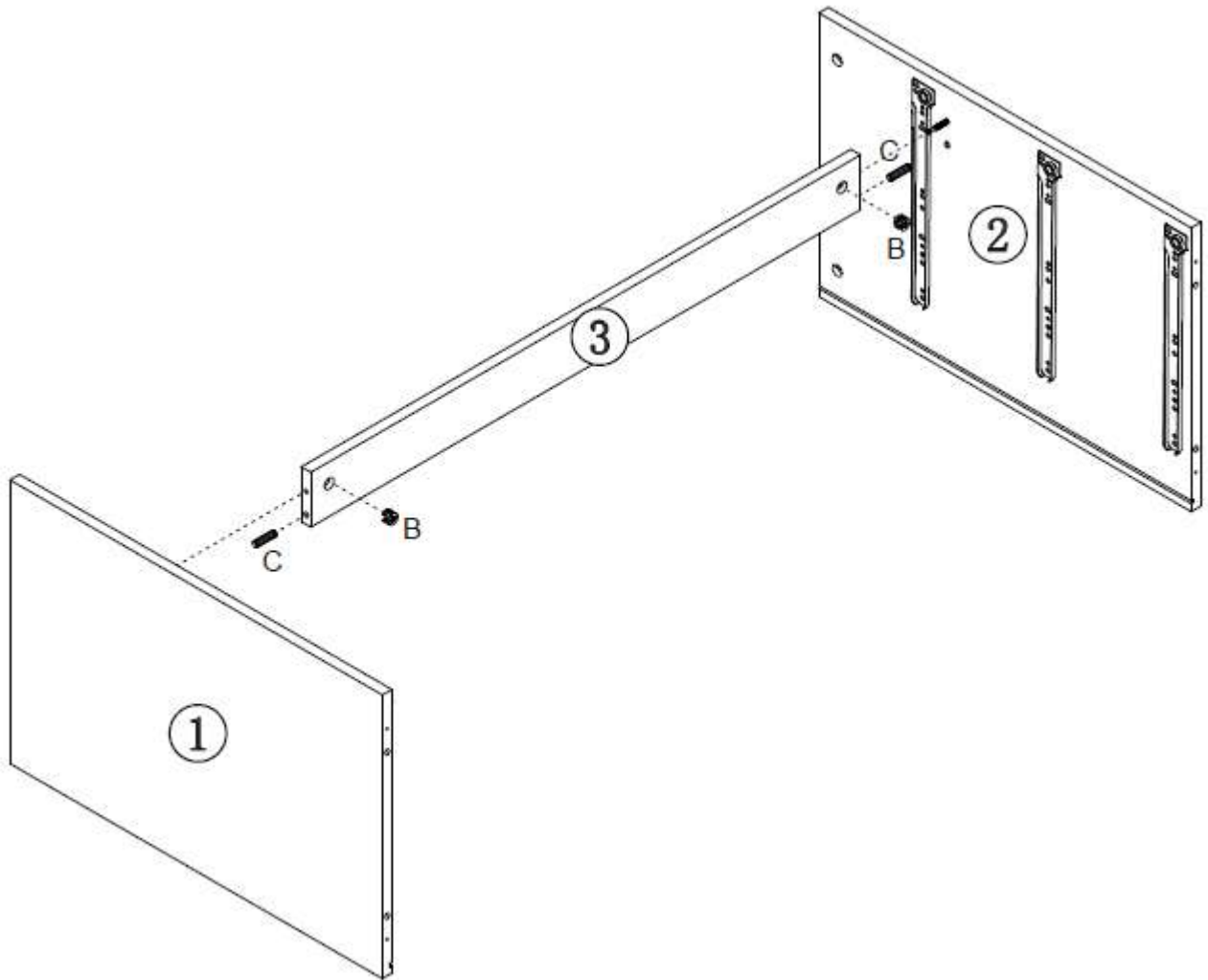
Instruction Manual

Please save this manual for future reference.

Product Name:	3-Drawer Light Oak Finish Wood Dresser
----------------------	--

Step 3: Connect the slim panel 3 to panels 1 and 2 using hardware C and B.

Ⓑ × 2	Ⓒ × 2
	





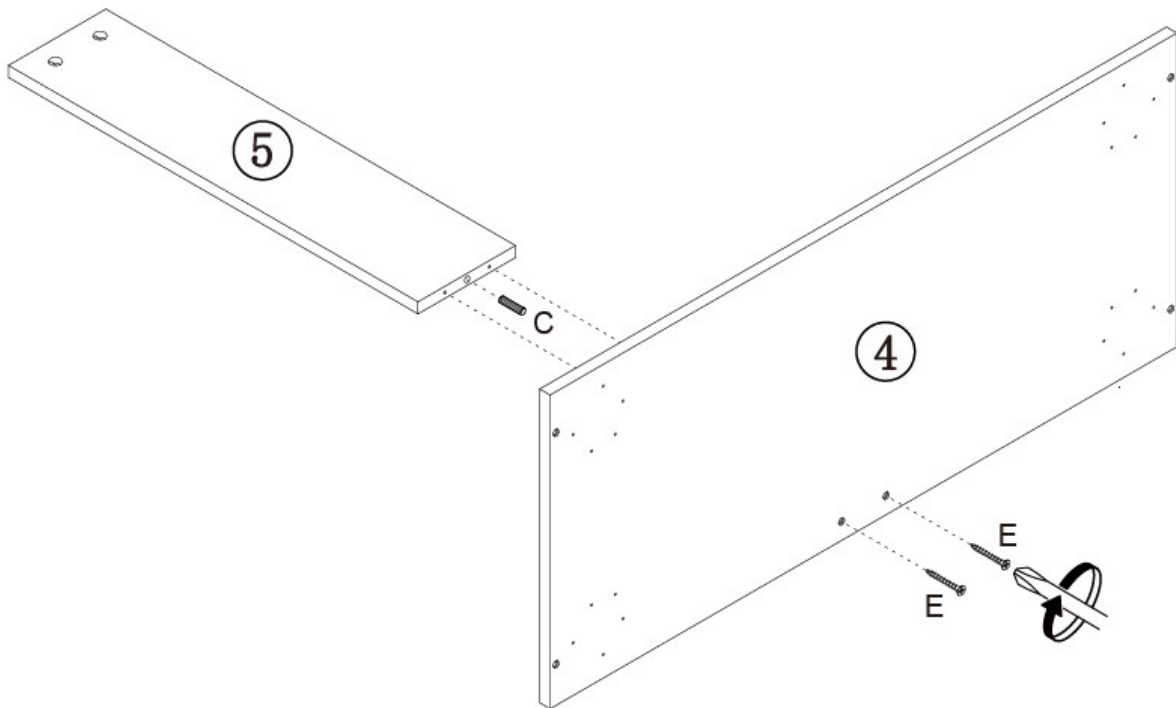
Instruction Manual

Please save this manual for future reference.

Product Name:	3-Drawer Light Oak Finish Wood Dresser
----------------------	--

Step 4: Connect panel 5 to panel 4 using hardware C and E.

Ⓒ × 1	Ⓔ × 2
	





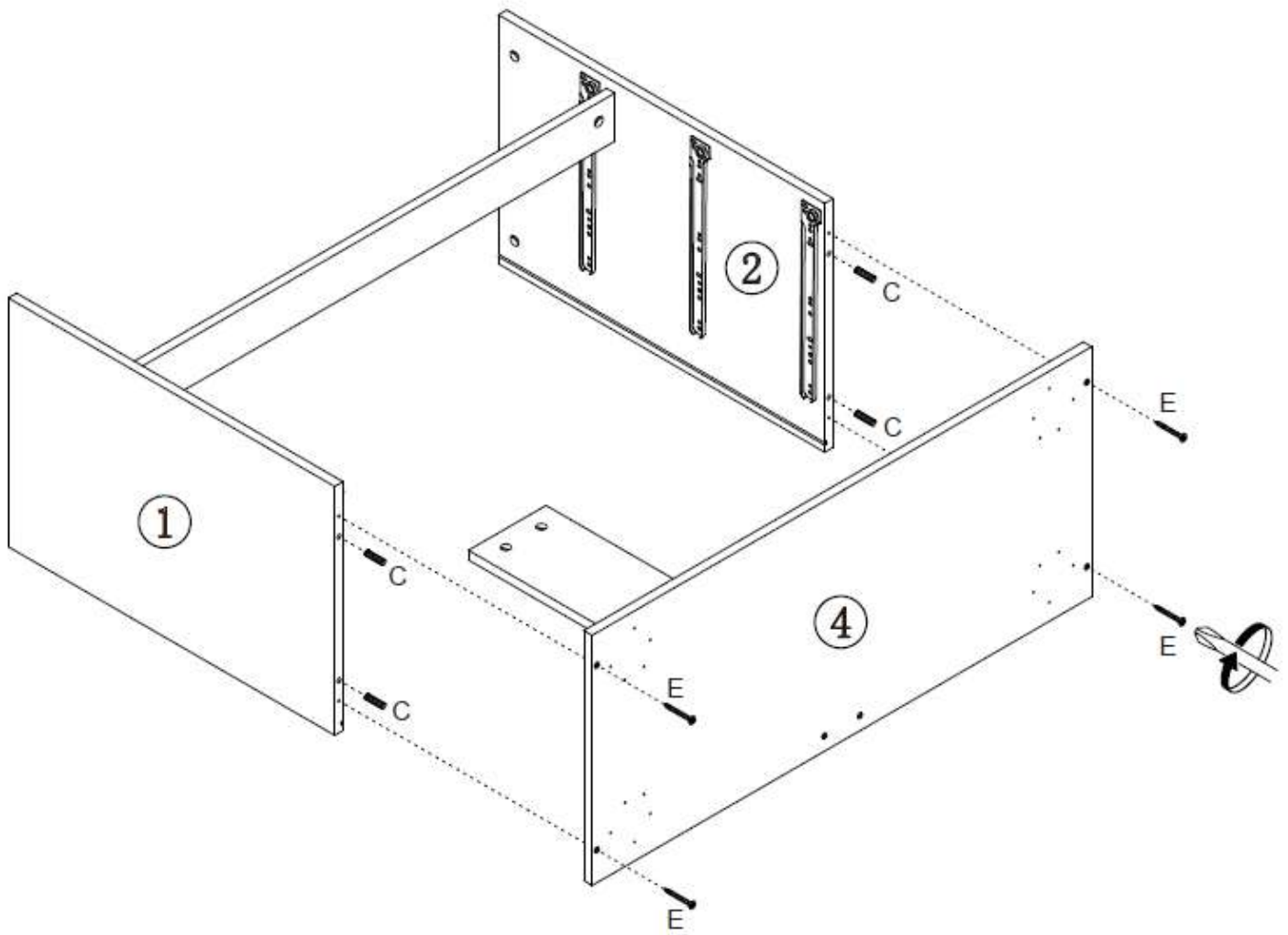
Instruction Manual

Please save this manual for future reference.

Product Name:	3-Drawer Light Oak Finish Wood Dresser
----------------------	--

Step 5: Connect panels 4 and 5 to assembled section of panels 1, 2, and 3 using hardware C and E.

Ⓒ × 4	Ⓔ × 4
	

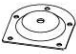



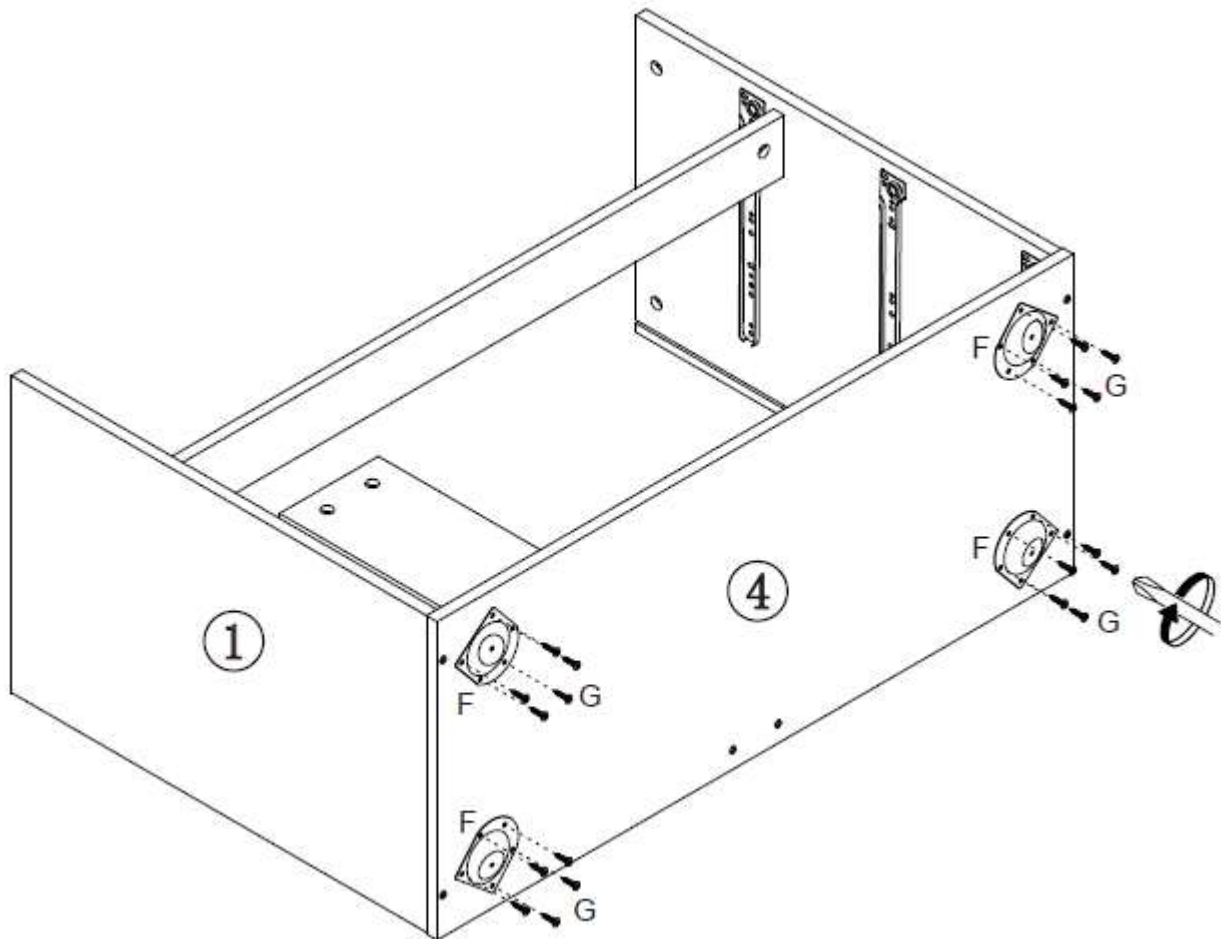
Instruction Manual

Please save this manual for future reference.

Product Name:	3-Drawer Light Oak Finish Wood Dresser
----------------------	--

Step 6: Attach hardware F to panel 4 using hardware G.

ⓕ × 4	ⓐ × 20
	

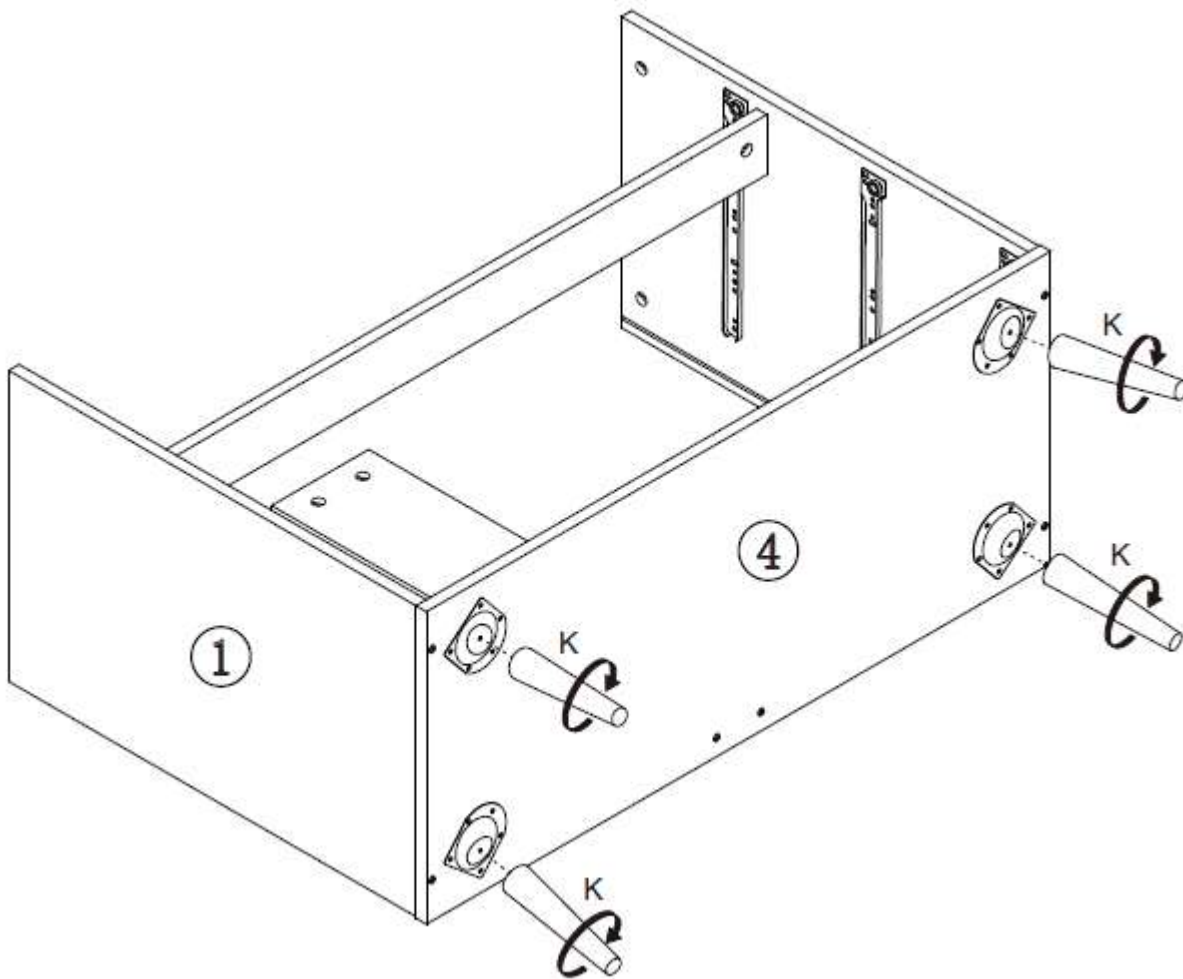
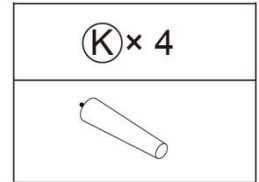


Instruction Manual

Please save this manual for future reference.

Product Name:	3-Drawer Light Oak Finish Wood Dresser
----------------------	--

Step 7: Attach the dresser legs K to the four corners of panel 4 by screwing it into hardware F. S Do not over-tighten to prevent cracking or stripping.



Instruction Manual

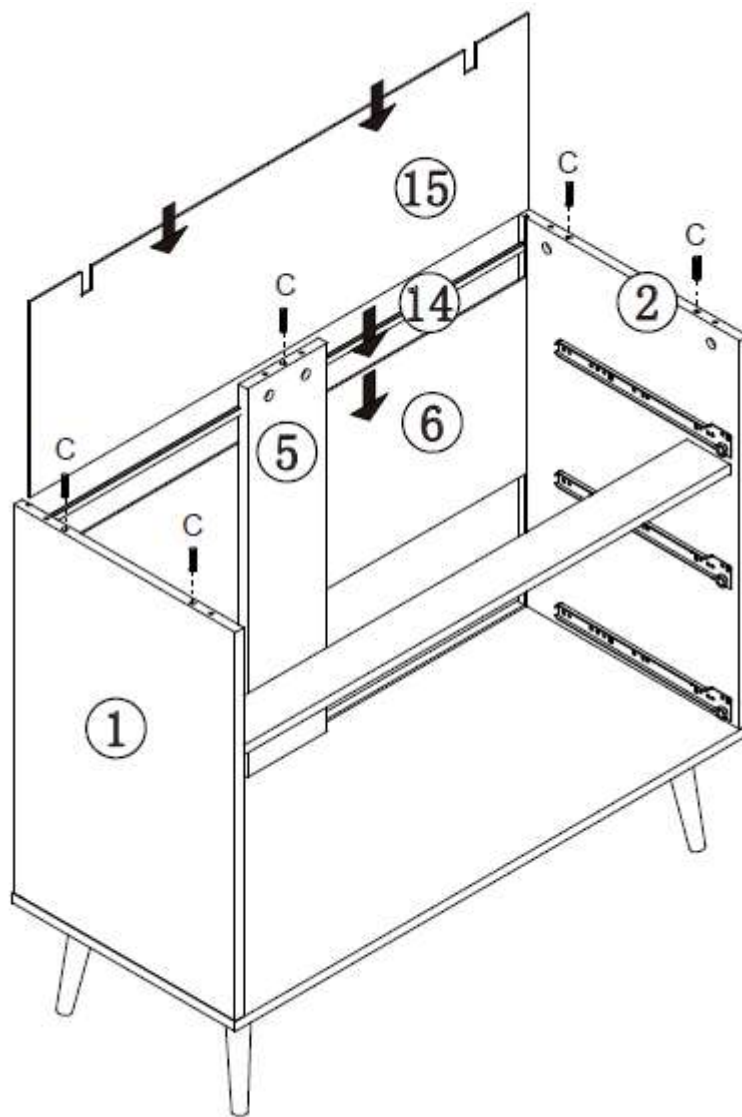
Please save this manual for future reference.

Product Name:	3-Drawer Light Oak Finish Wood Dresser
----------------------	--

Step 8: Carefully flip the cabinet right side up. Connect panels 15 and 6 with panel 14 in the center. Slide the assembled back panel into the grooves of panels 1 and 2.

THIS STEP TO BE ACCOMPLISHED
BY TWO PERSONS

⊕ × 5


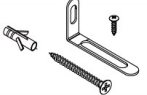


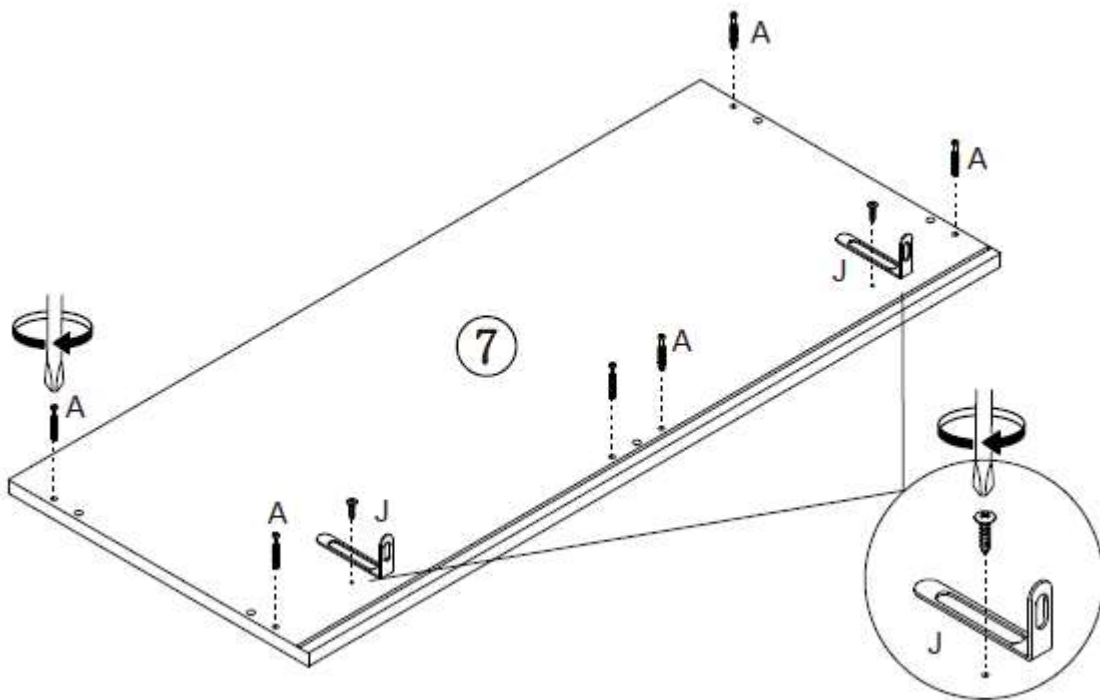
Instruction Manual

Please save this manual for future reference.

Product Name:	3-Drawer Light Oak Finish Wood Dresser
----------------------	--

Step 9: Install and tighten hardware A until the shoulder is flush with the underside of panel 7. Install hardware J bracket using hardware A into panel 7.

(A) × 6	(J) × 2
	




Instruction Manual

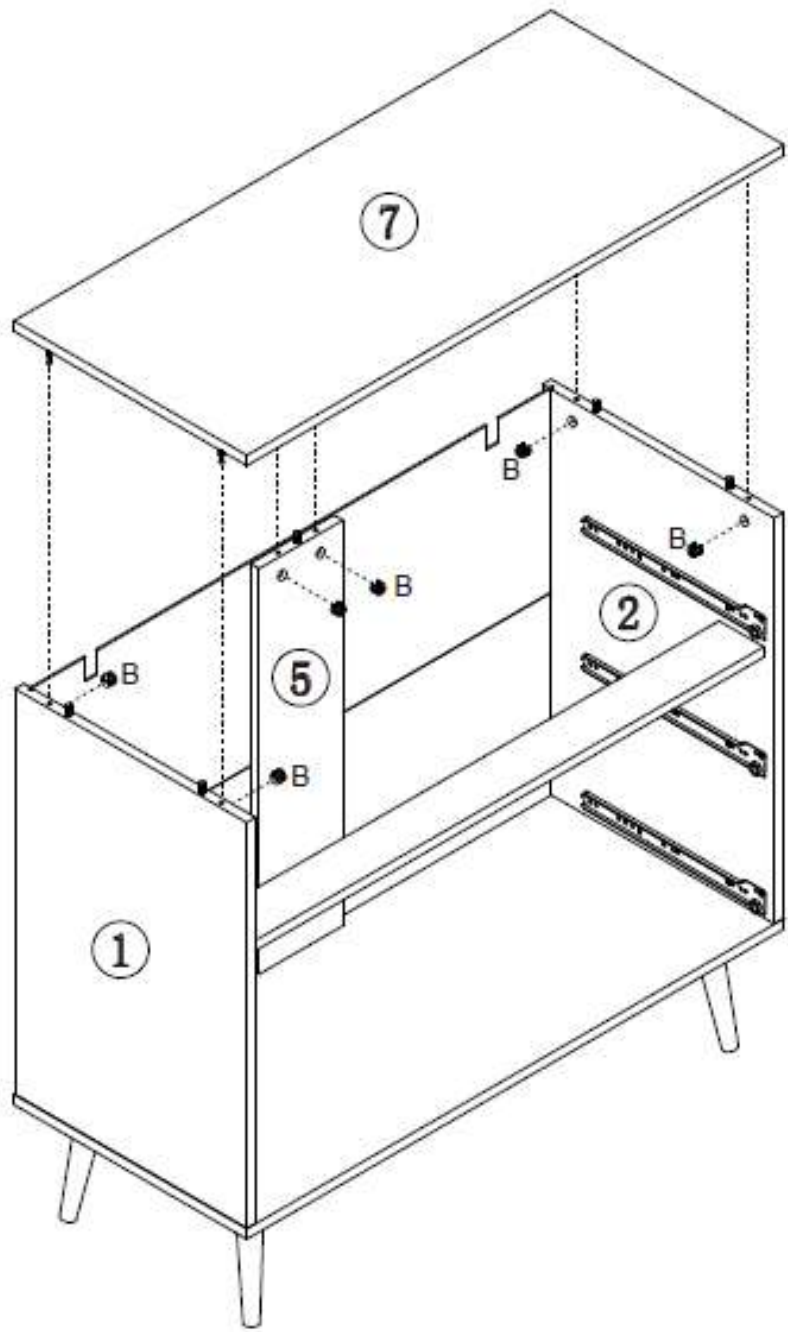
Please save this manual for future reference.

Product Name:	3-Drawer Light Oak Finish Wood Dresser
----------------------	--

Step 10: Attach panel 7 to the assembled section of panels 1, 2, and 5 using hardware B.

THIS STEP TO BE ACCOMPLISHED
BY TWO PERSONS

Ⓑ × 6




Instruction Manual

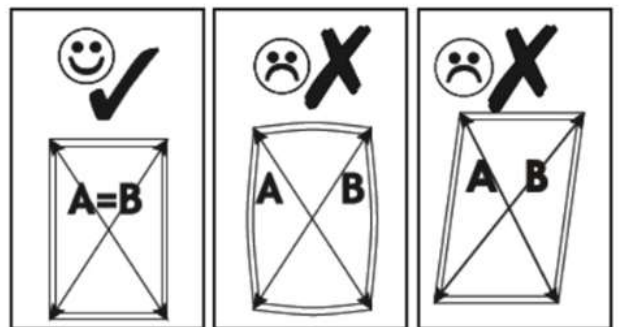
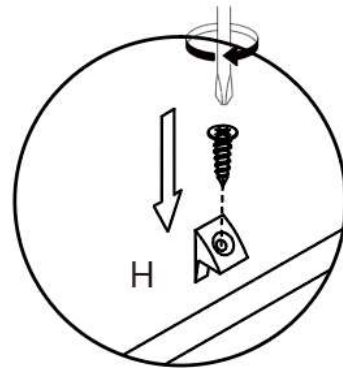
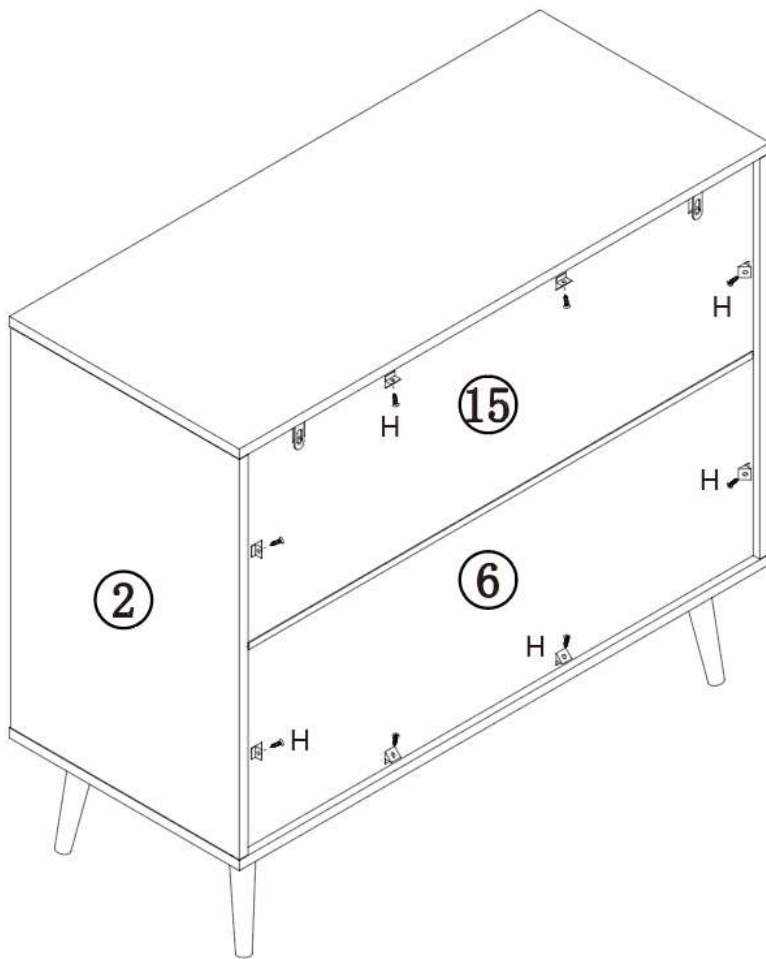
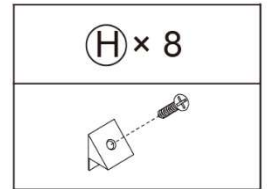
Please save this manual for future reference.

Product Name:	3-Drawer Light Oak Finish Wood Dresser
----------------------	--

Step 11: To stabilize the cabinet body, lock hardware H on the back of panels 15 and 6 in 8 places with the screw in hardware H.

ATTENTION PLEASE

Please make sure the backboard is right Angle before installing hardware H, **MUST** install hardware H to strengthen product stability.

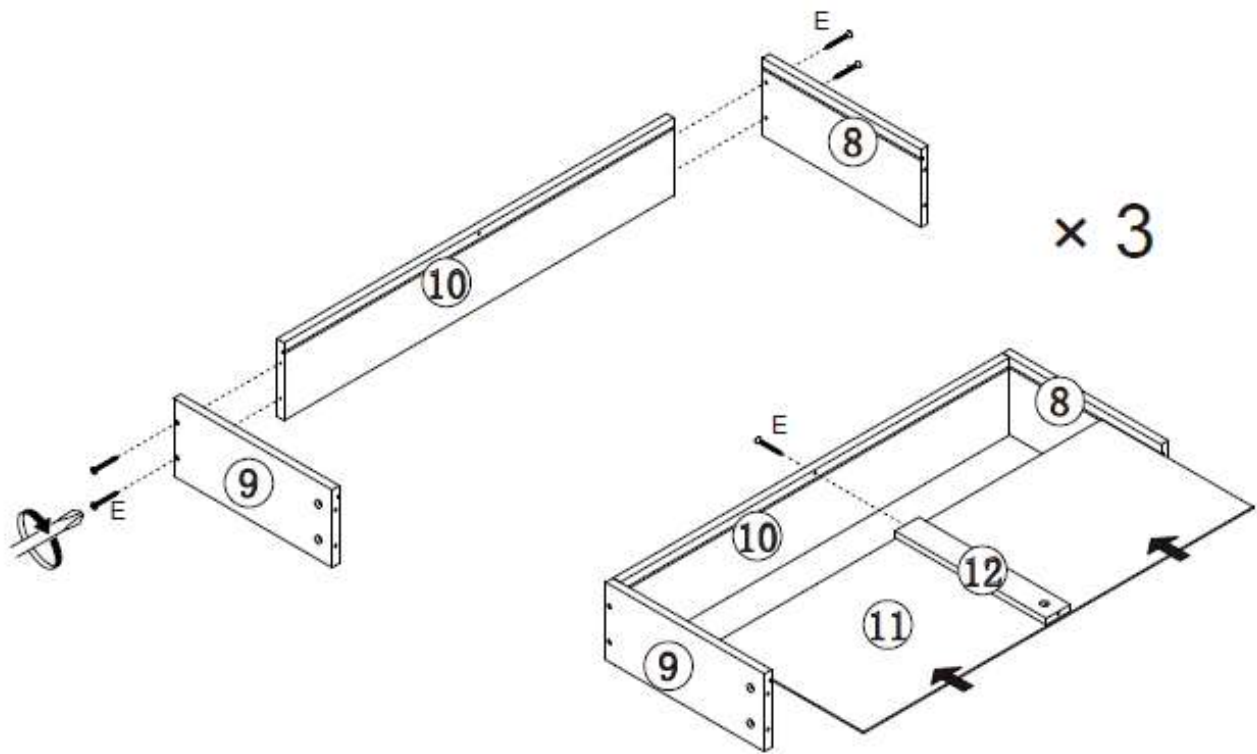
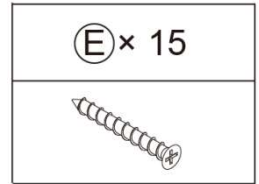


Instruction Manual

Please save this manual for future reference.

Product Name:	3-Drawer Light Oak Finish Wood Dresser
----------------------	--

Step 12: Assemble the drawers by connecting panels 10 to panels 8 and 9 with hardware E. Slide panel 11 into the grooves of the assembled section of 8, 9, and 10. Attach panel 12 to panel 10 with hardware E.







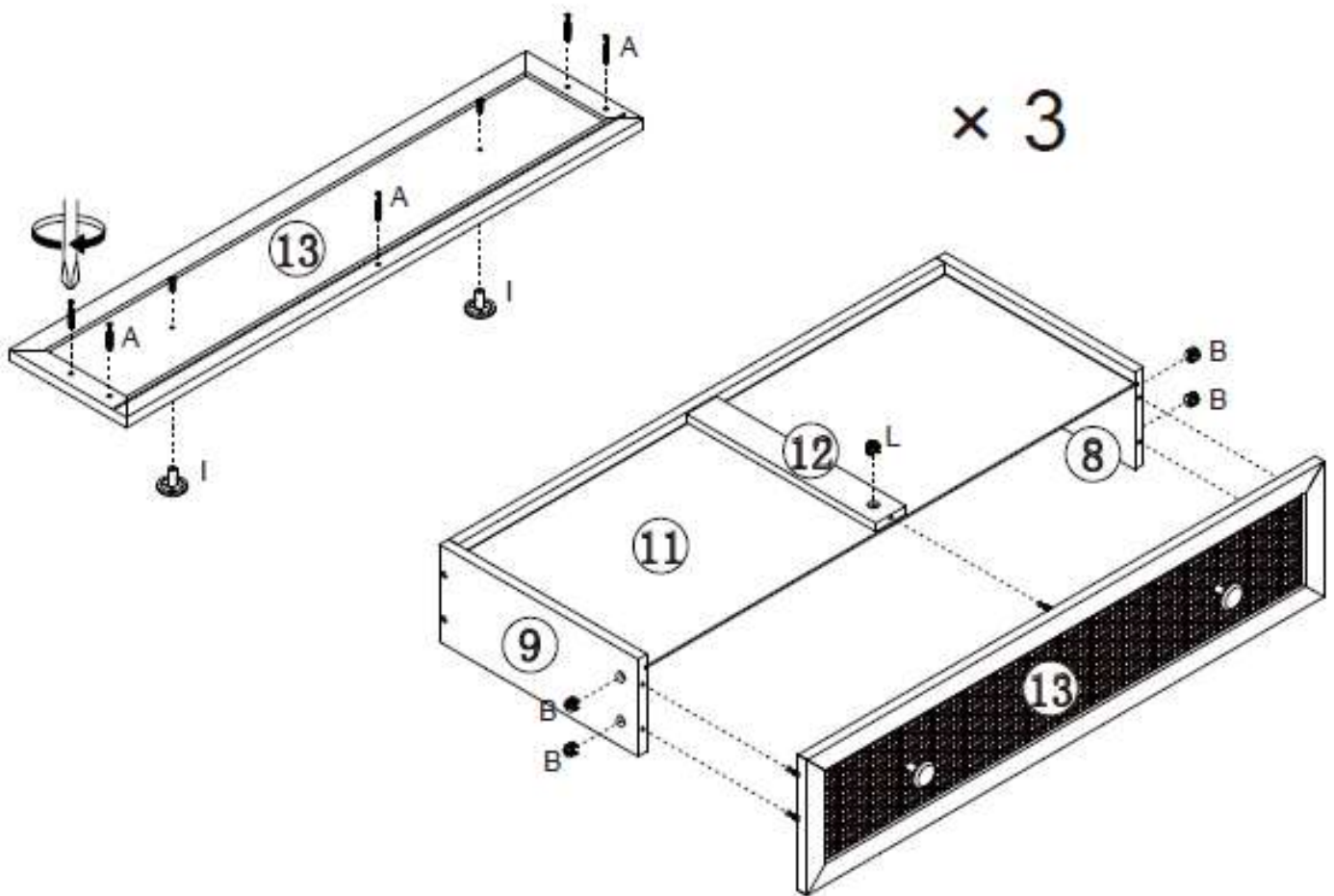
Instruction Manual

Please save this manual for future reference.

Product Name:	3-Drawer Light Oak Finish Wood Dresser
----------------------	--

Step 13: Install and tighten hardware A until the shoulder is flush with drawer front panel 13. Connect panel 13 to the assembled drawer section (8, 9, 12) with hardware L and B.

Ⓐ × 15	Ⓑ × 12	Ⓘ × 6	Ⓛ × 3
			






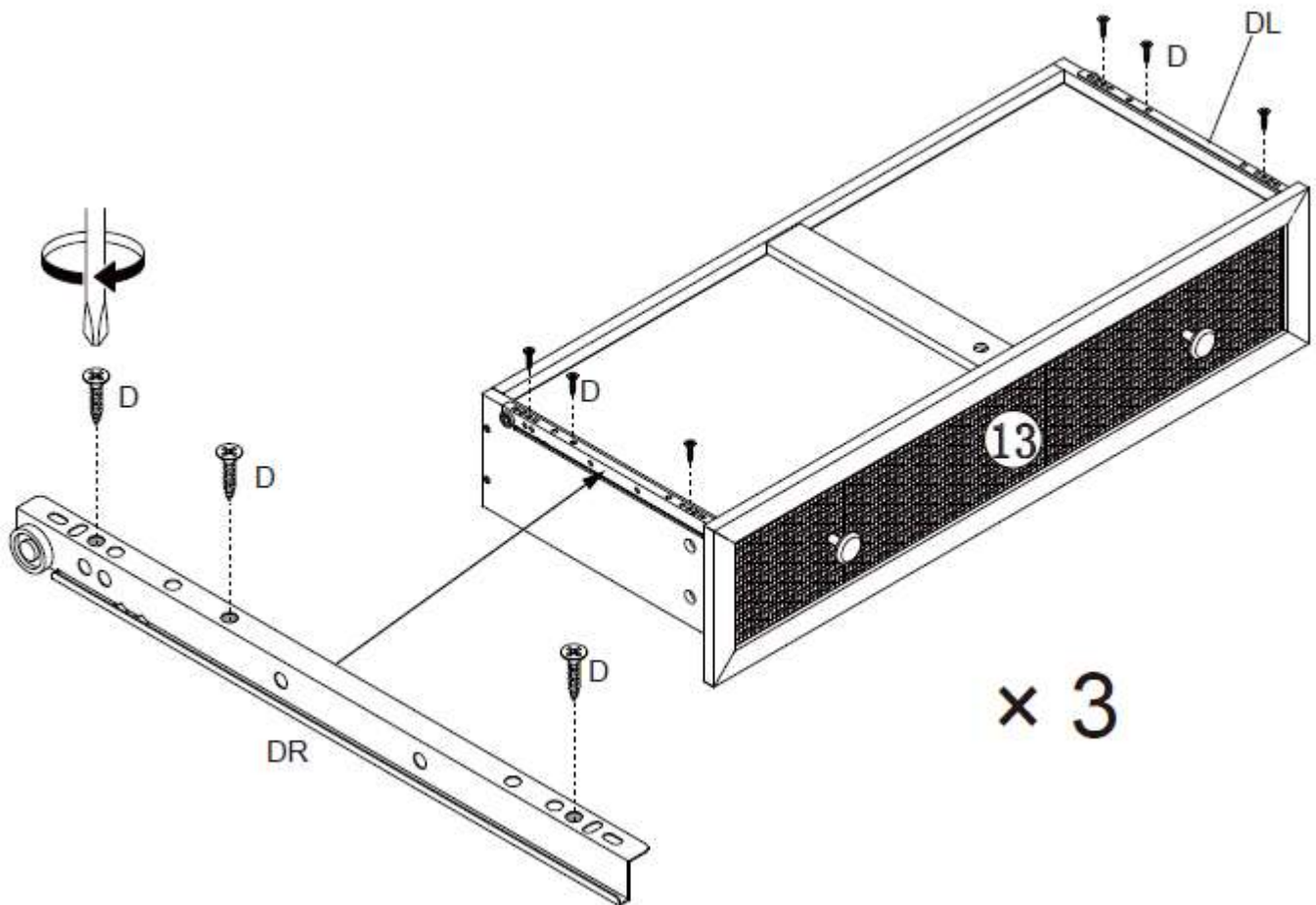
Instruction Manual

Please save this manual for future reference.

Product Name:	3-Drawer Light Oak Finish Wood Dresser
----------------------	--

Step 14: Install hardware DR to panel 9 using hardware D. Install hardware DL to panel 8 using hardware D.

$\textcircled{D} \times 18$	$\textcircled{DL} \times 3$	$\textcircled{DR} \times 3$
		

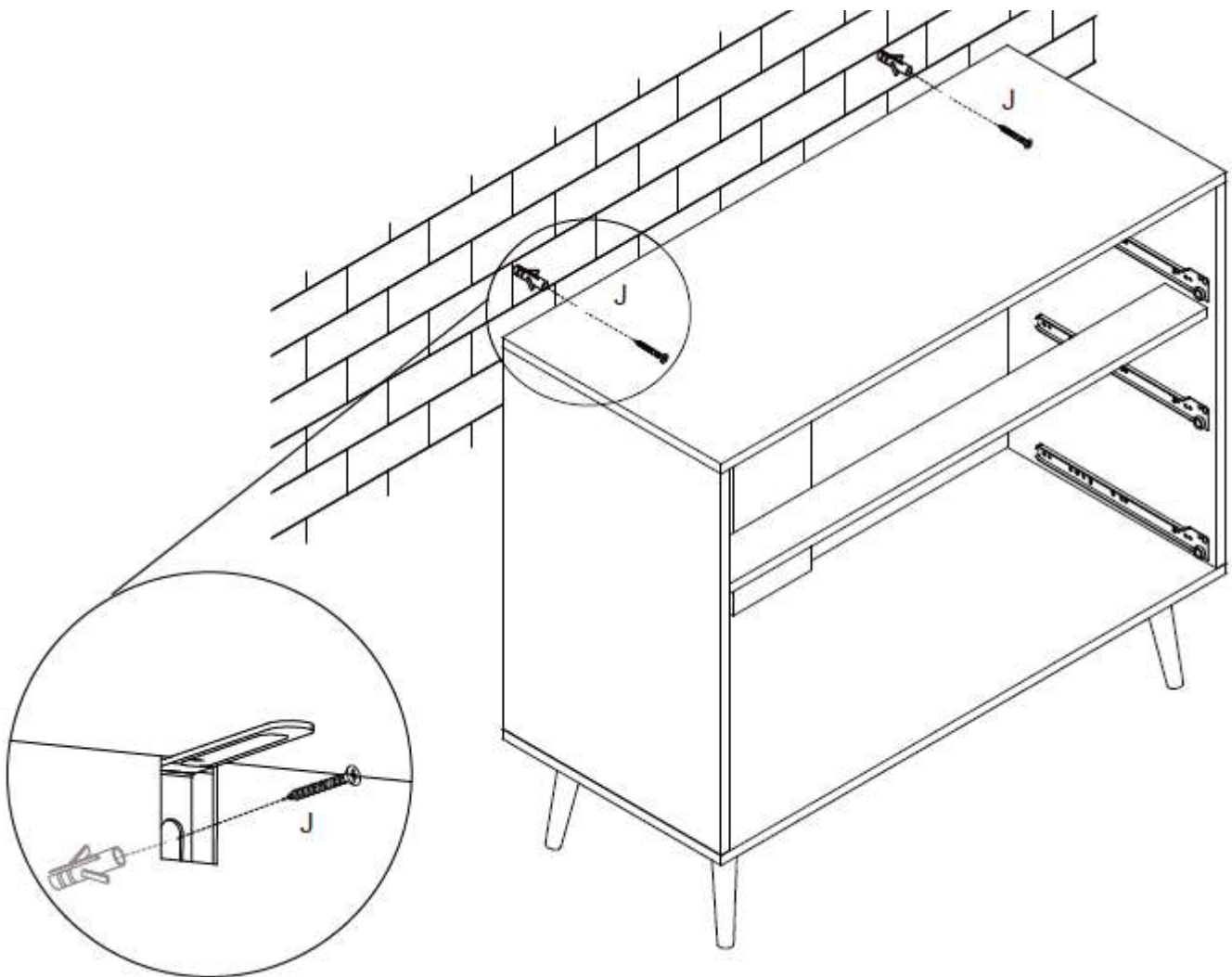
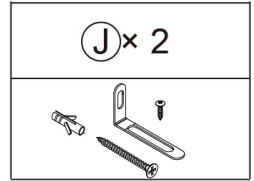


Instruction Manual

Please save this manual for future reference.

Product Name:	3-Drawer Light Oak Finish Wood Dresser
----------------------	--

Step 15: For additional stability, secure the dresser to the wall using the restraint kit included.

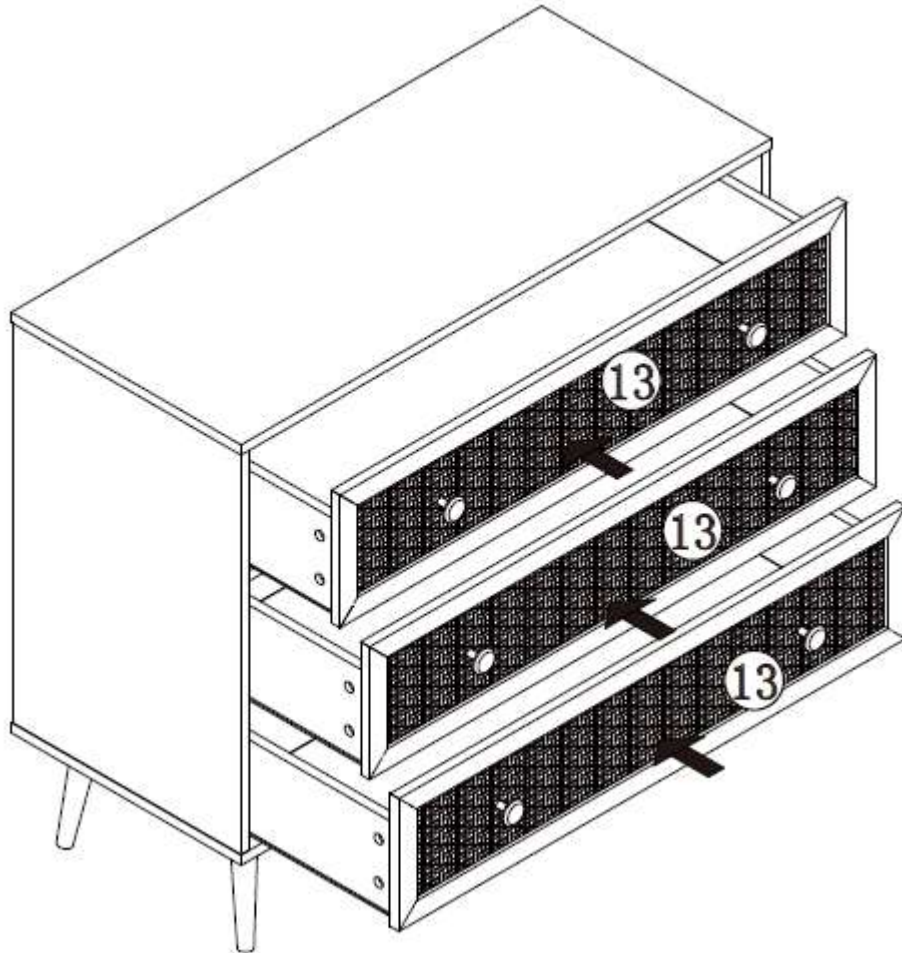


Instruction Manual

Please save this manual for future reference.

Product Name:	3-Drawer Light Oak Finish Wood Dresser
----------------------	--

Step 16: Slide in the drawers.



WARNING: Do not sit or stand on this dresser. Do not use the drawers to climb on the dresser. These actions could cause serious bodily injury and damage the furniture.