

30" Insert Fireplace Heater

TABLE OF CONTENTS

Safety Information	03
Technical Specification	04
Package Content	04
Assembly Instruction	05
Users Instruction	07
Control Panel	08
Mobile APP control mode	10
Care and Maintenance	11
Trouble Shooting	11

When using electrical appliances , basic safety precautions should always be followed including the following:

READ ALL INSTRUCTIONS BEFORE USE AND SAVE THESE INSTRUCTIONS

- 1: Read all instructions before using this heater.
- 2: Do not use this heater outdoors.
- 3: This heater is not intended for use in bathrooms,laundry areas and similar indoor locations.Never locate the heater whers it may fall into a bathtub or other water container
- 4: Do not run the power cord under carpeting. Do not cover the power cord with throw rugs,runners,or the like.Arrange the power cord away from traffic areas and where it will nor be tripped over.
- 5: To disconnect the heater,turn controls to off then remove the plug from the outlet.
- 6: Connect to properly grounded outlet only.Always plug heaters directly into a wall outlet/receptacle.Never use with an extension cord or reloadadle power tap (ourlet/power strip)
- 7: To prevent a possible fire,do not block operate the firebox on soft surfaces,like a bed,where openings may become blocked.
- 8: There is a thermostat liniter inside the heater.When the inner temperature Overheat or abnormal heating occurs, the thermostat protective device cuts off the power supply to avoid fireplace from damaged or risk of fire
- 9: Use the heater only as described in the manual.Any other use not recommended by the manufacturer may cause fire,electrical shock,or injury to persons.
- 10: **⚠WARNING:** Manufacturer and seller expressly disclaim any snd all liability for personal inhury,property damage or loss, whether direct,indirect,or incidental, resultng from the incorrect attachment, improper use,inadequate maitenance, unapproved modification,or neglect of this product.

⚠WARNING: There is no user serviceable parts inside fireplace/heater.If the unit appears to malfunction,turn the unit off and unplug from the wall immediately and contact Customer Service.

⚠WARNING: This heater is hot when in use. To avoid burns,do not let bare skin touch hot surfaces.If provided,use handles when moving thos heater.Keep combusrible material,such as furniture,pillows,bedding,papers,clothes, and curtains at least 3ft(0.9m)from the front of the hester and keep them away from the side or reat.

⚠WARNING: Extreme caution is necessaty when any heater is used by or neat children or invalids and whenever the heater is left operating and unattended.

⚠WARNING: Always unplug the heater when not in use.

⚠WARNING: Do not operate any heater with a damaged cord or plug or after the heater malfunctions,has been dropped,or damaged in any manner,Return the heater to an authorized service facility for examination,electrical or mechanical adjustment,or repair.

⚠WARNING: Do not insert or allow foreign objects to enter any ventilation or exhaust openings as this may cause an electric shock or fire,or damage to the heater.

⚠WARNING: A heater has hot and arching or sparking parts inside.Do not use in areas where gasoline,paint,or flannable liquids are used or srored.

⚠CAUTION: While the heater is in use,the top center of the fireplace can get hot to the touch,and may cause serious injury or burns. Always supervise small children around the fireplace/heater.Do not place any cloth or decorations over the heater outlet or fireplace, or otherwise obstruct the heater outlet of the fireplace,as this may cause a fire and serious injury.

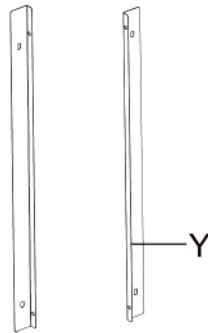
TECHNICAL SPECIFICATION

Dimensions(W X D X H)	30"X5.15"X17.1"
Net Weight	23.37 lb
Gross Weight	28.11 lb
Power Rating	1400W
Voltage	120V
Frequency	60 Hz

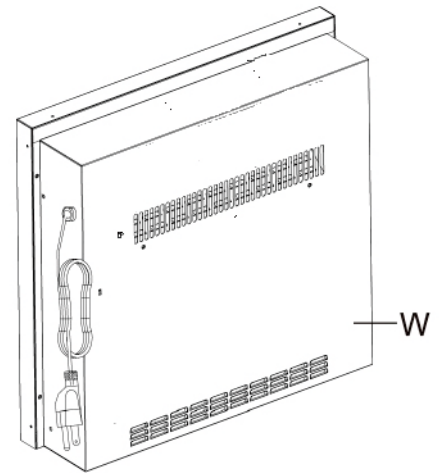
PACKAGE CONTENT



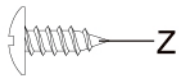
Top Trim



Side Trim (L/R)

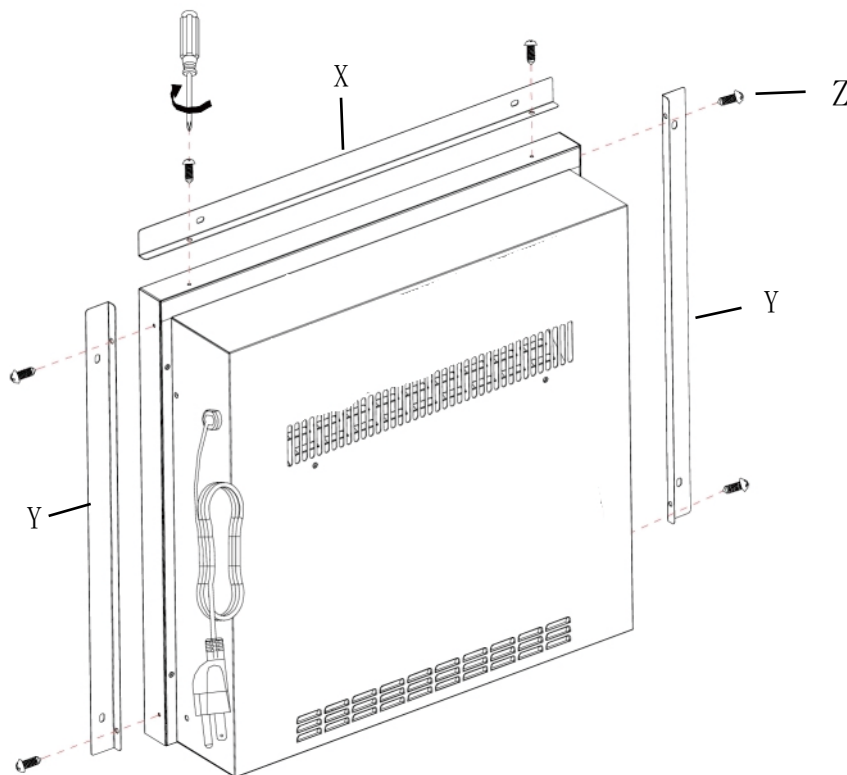


Fireplace Unit



Screw x14

ASSEMBLY INSTRUCTION



STEP 1

Take out the unit from the box and layout all the spare parts for easy assembly. Make sure all small items are not left in packaging materials.

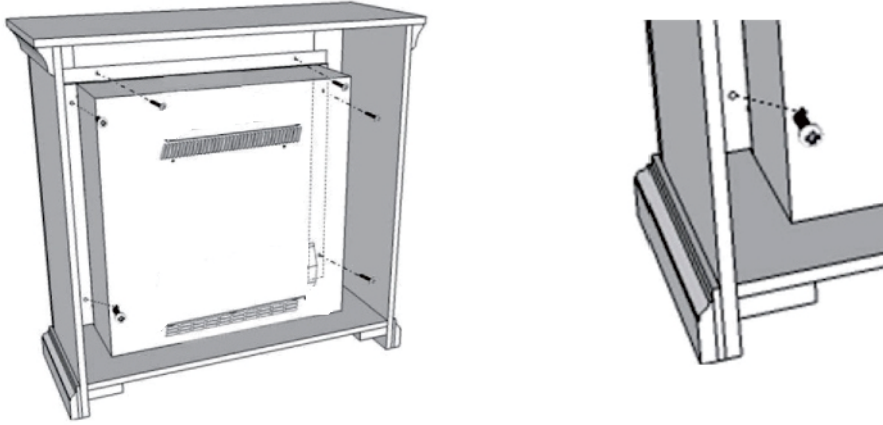
CAUTION

- This unit has a glass front panel. Use extreme caution when handling glass to prevent personal injury or damage.

STEP 2

Attach the top trim to the top of the unit and secure it by tightening 2 screws. Make sure the right angle side faces toward the front of the unit.

Align and attach two side trims to the sides of the fireplace unit. Identify the right and the left and make sure the right angle side is faces toward the front of the unit.



STEP 3

Carefully set the unit from the back of the mantel and center it in the opening. Check the alignment and attach the unit to the mantel by inserting screws through the drilled holes on the trim to the mantel.

NOTE: Do not attempt to install the unit from the front of the mantel. It will not fit.

USER INSTRUCTION

Before use

Check that the air intake and exhaust is not covered or obstructed in anyway.

Keep combustible objects at least 3ft away from the unit.

Plug the unit to a grounded power socket.

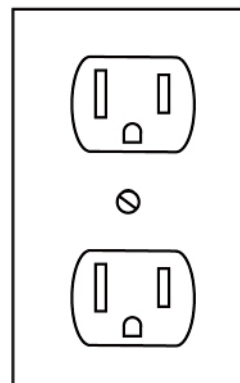
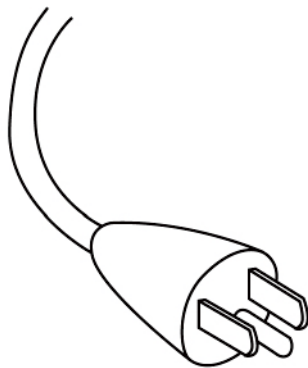
Grounding

This product must be grounded. If it should malfunction or breakdown, grounding provides a path of least resistance for electric current to reduce the risk of electric shock.

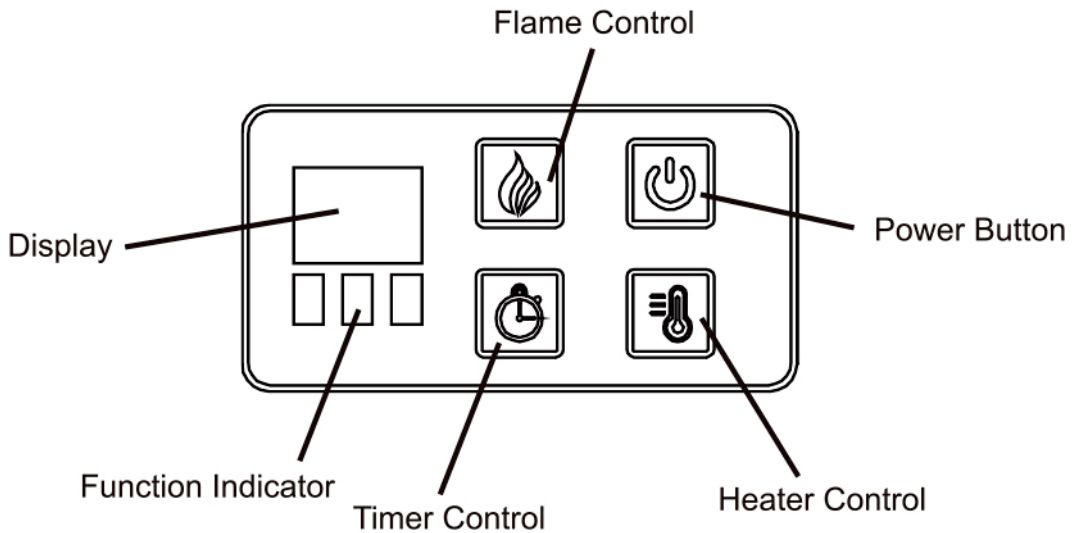
This unit comes standard with a 6ft (1.8m) long, three wired cord. Always plug the unit into a wall outlet. An extension or relocate tab should never be used.

CAUTION / WARNING

- Improper connection of the equipment grounding conductor can result in a risk of electric shock. Check with a qualified electrician or serviceman if you are in doubt as to whether the product is properly grounded.
- DO NOT modify the plug provided with the product nor using any bypass device if the plug does not fit the outlet. Have a proper outlet installed by a qualified electrician.



USER INSTRUCTION (CONTROL PANEL)



Control Panel

The control panel is located on the top right corner of the unit.

Power ON / OFF

Press the power button to turn on the unit. Press again to turn off the unit.

NOTE: There is a thermostat limiter inside the unit. When the inner temperature is too hot, the unit will automatically turned off to avoid damage to the product or risk of fire.

CAUTION / WARNING

- DO NOT unplug the unit when it is still "ON"

Flame Control

Press the flame control button to rotate and set flame effect levels. The flame setting are as follows

Button Press	Flame Level	Display Value	Fireplace Appearance
1st Press	High	L3	Highest flame, logs glow
2nd Press	Medium	L2	Medium flame, logs glow
3rd Press	Low	L1	Low flame, logs glow
4th Press	OFF	None	OFF

NOTE: When the heater is turn on, the flame effect level can only rotate and set between High, Medium, and Low.

Heater Control

Press the heater control to turn on and off the heater.

When the heater is turned on , press and hold the heater control button for 5 seconds to enter temperature adjustment mode . The LED indicator is red . In adjustment mode , the display will flashes . There are 22 levels to change Fahrenheit temperature (ON , 62°F - 82°F) . After this is set , the display will flash 2 times and exit from setting status .

To switch from degree Fahrenheit to degree Celsius , press and hold the power button for 5 seconds when the heater is turned on . LED indicator light does not change color . There are 12 levels to change Celsius temperature (ON , 17°C- 27°C) . Repeat the same process to convert Celsius to Fahrenheit .

NOTE : The temperature is shown in Red.

Timer Control

Press the timer button to turn the timer on . The timer function can controls both the flame effect and heater .

The timer can set as the table suggested below

Button Press	Timer Interval	Display
1st press	30 Minutes	30
2nd press	1 Hour	1h
3rd press	2 Hours	2h
4th press	3 Hours	3h
5th press	4 Hours	4h
6th press	5 Hours	5h
7th press	6 Hours	6h
8th press	OFF	None

NOTE : Timer only controls heater if only the heater is on before timer is set.

NOTE : Timer only controls flame effect function if only the flame effect function is on before timer is set.

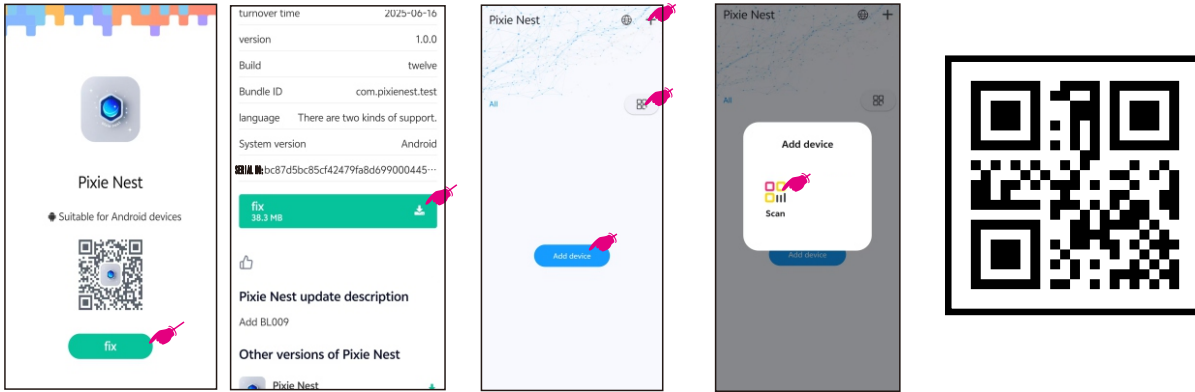
NOTE : Timer can control both heater and flame effect function if both are on before timer is set

Mobile APP control mode

Scan the QR code on the right using a mobile browser scanning tool to enter the download page



Open the download with your phone's browser.

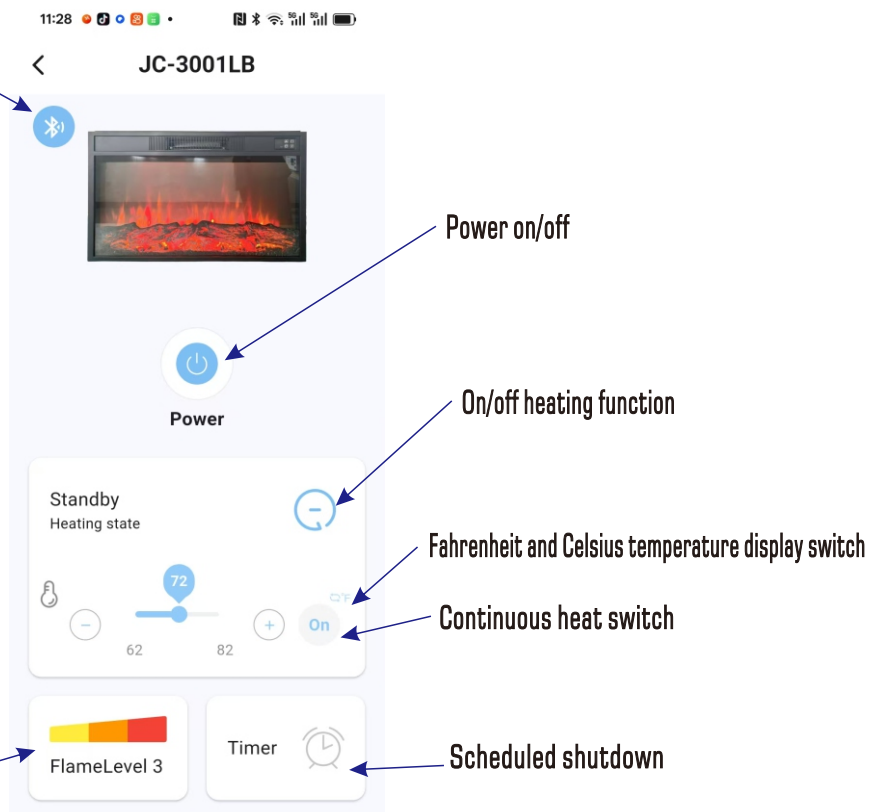


Before scanning the code, press and hold the delay control button to display "PA" on the screen to pair and scan the code.

The Bluetooth function of the phone is turned on.



Long press the timer button and the LED screen will display PA



Note: The flame brightness cannot be turned off when the heating function is turned on, and the flame brightness can only be adjusted to 'OFF' when the heater is not working.

Note: To control the heater with your phone, you must first turn on your phone's Bluetooth function.

Note: When the heating function is not turned on, the temperature cannot be adjusted, continuous heating cannot be used, and the temperature Fahrenheit and Celsius cannot be converted.

CARE AND MAINTENANCE

Cleaning the unit :

Always turn off and unplug the unit from power outlet before cleaning.

Allow the unit to cool down completely before performing any maintenance or cleaning .

Use a vacuum cleaner or duster to regularly remove any accumulated dust on the unit

Use a damp soft cloth to clean the surface and buff with a dry cloth.

Do not use abrasive cleansers . liquid sprays or any cleaner that could scratch the surface .

TROUBLE SHOOTING

Problem	Solution
The unit does not turn on	Make sure the unit is plugged into a standard 120V grounded power source . Press the power button on the control panel.
Flame effect is on , but there is no flame effect	Open the top and back panel to check if the flame spindle has fallen off from the spindle motor .
The heater does not blow warm air	Make sure the set temperature is higher than the room temperature .
The heater does not work	Turn all switches to OFF and unplug the unit for 5 minutes . Plug the unit back to power and operate as normal.
Error Code EE shown on the indicator	Please contact customer service
Mobile APP remote control is not working	Please rescan the QR code to log in and ensure that PA is lit on the display.