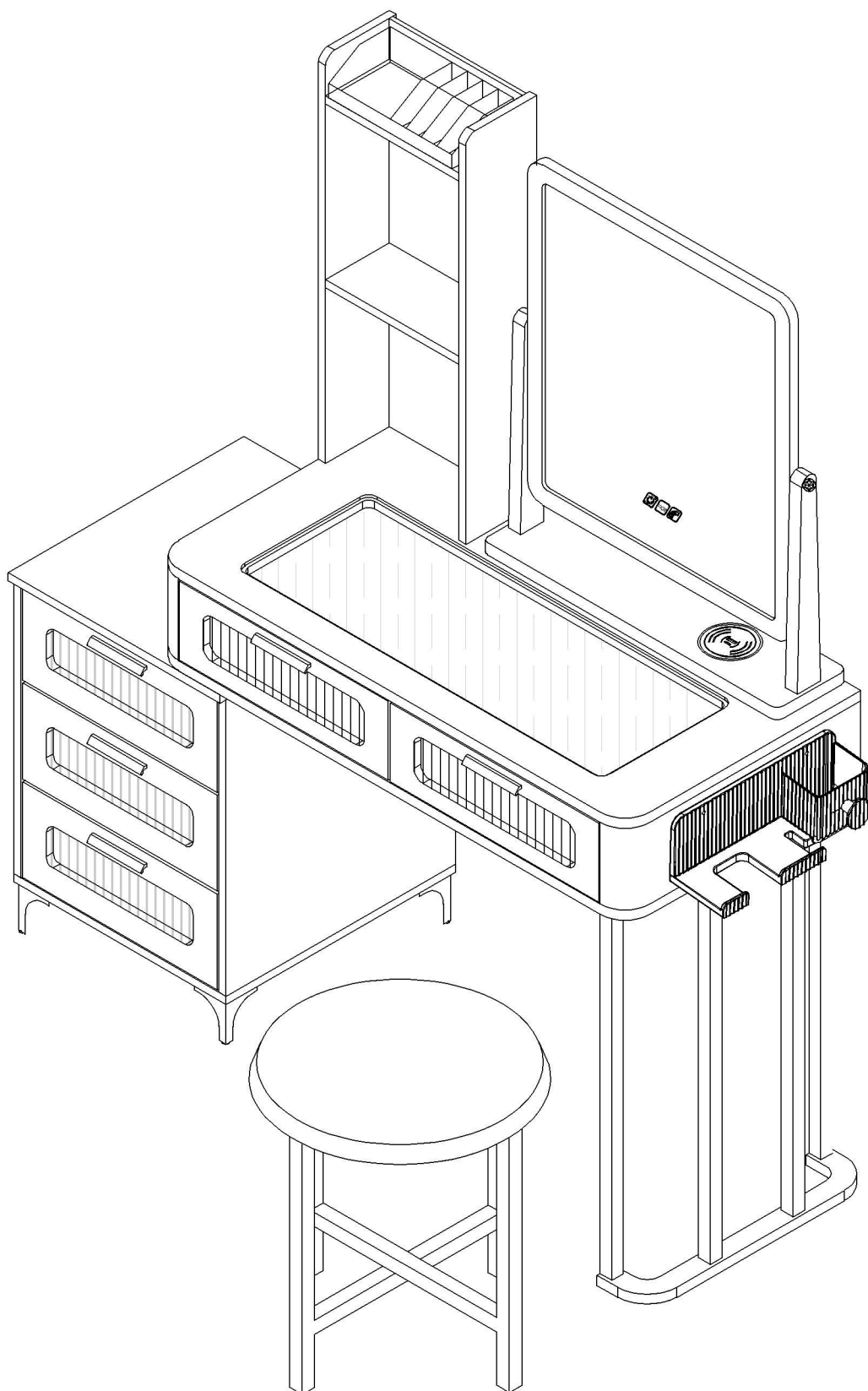
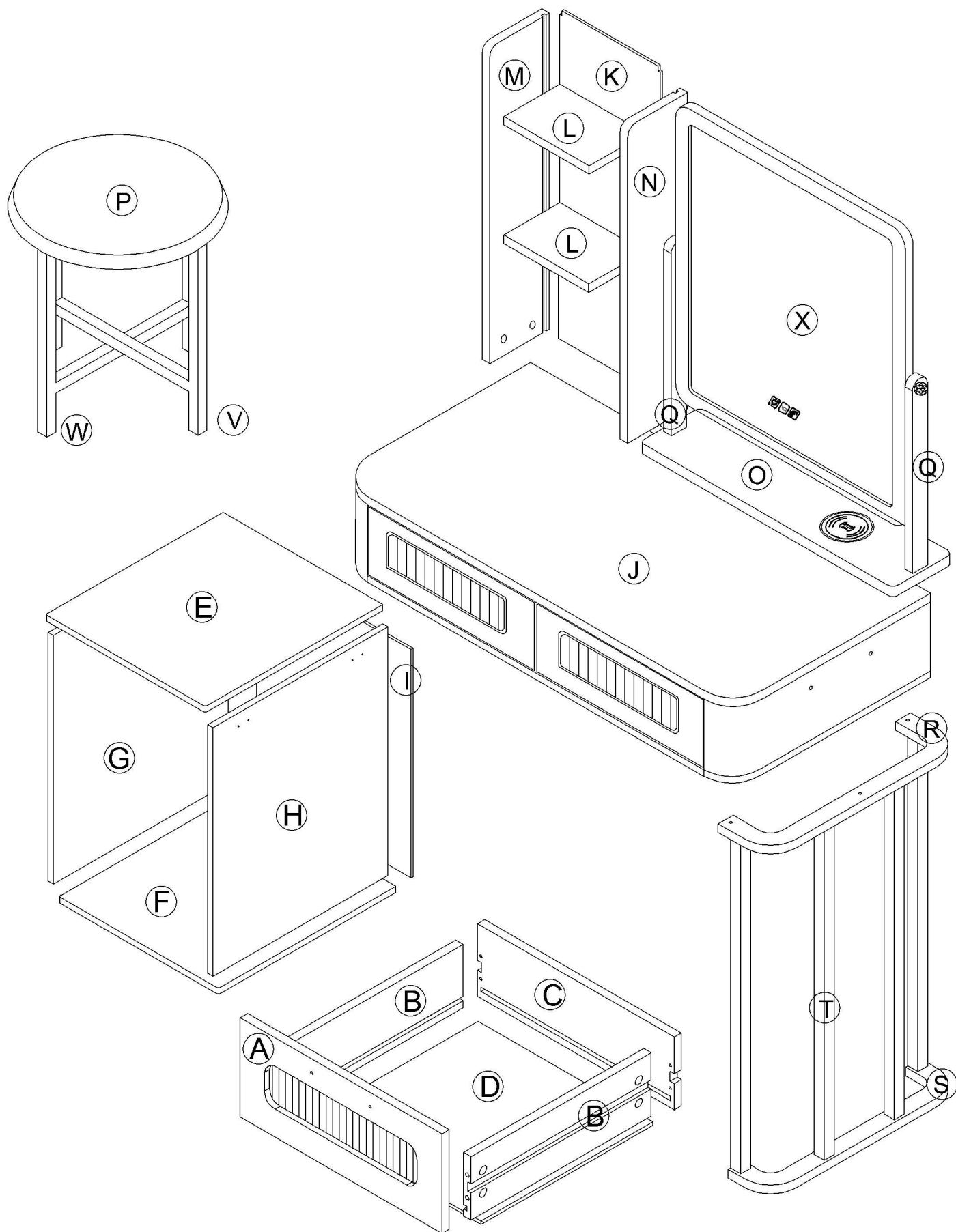


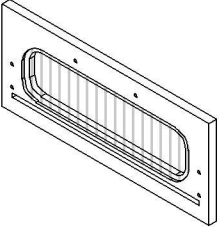
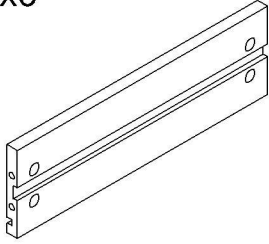
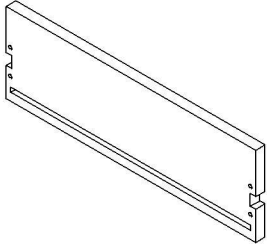
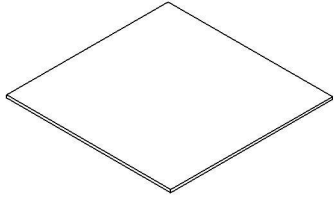
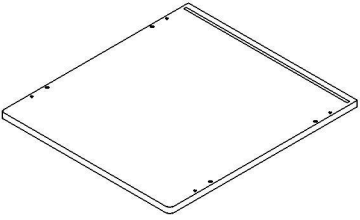
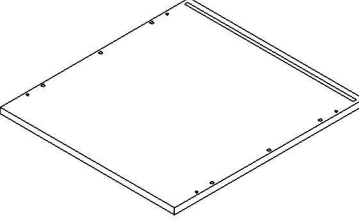
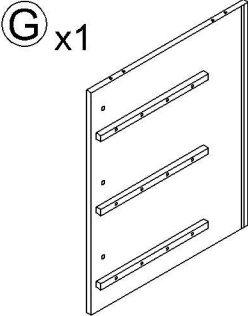
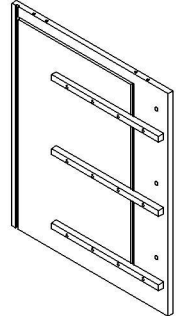
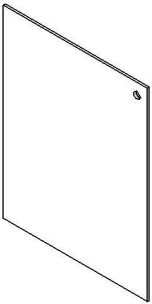
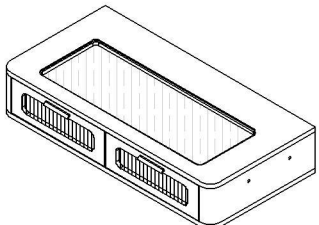
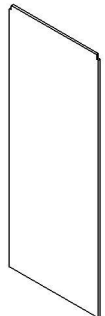
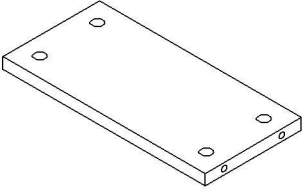
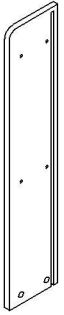
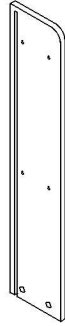
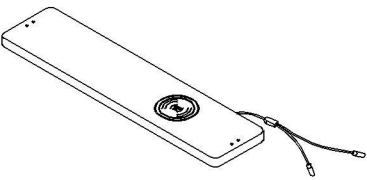
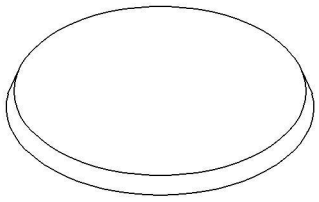

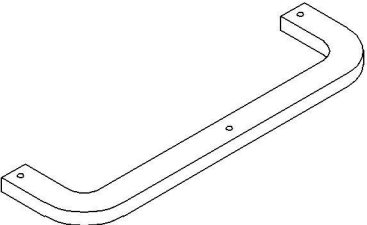
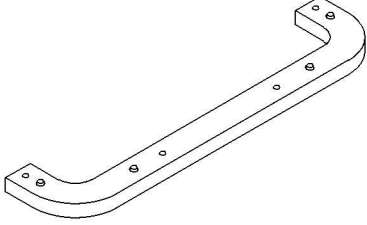

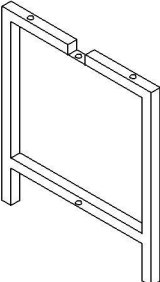
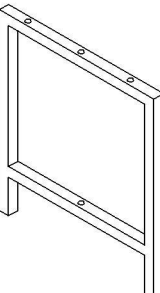
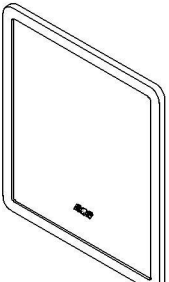
Vanity Table Manual



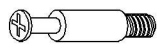

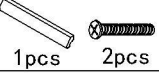








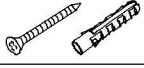


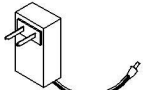





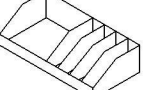


Vanity Table Manual

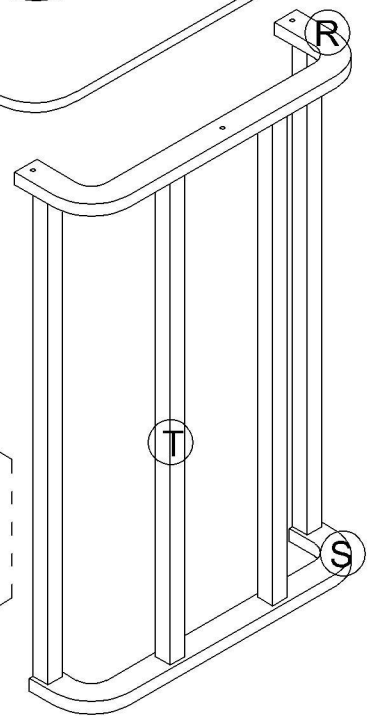
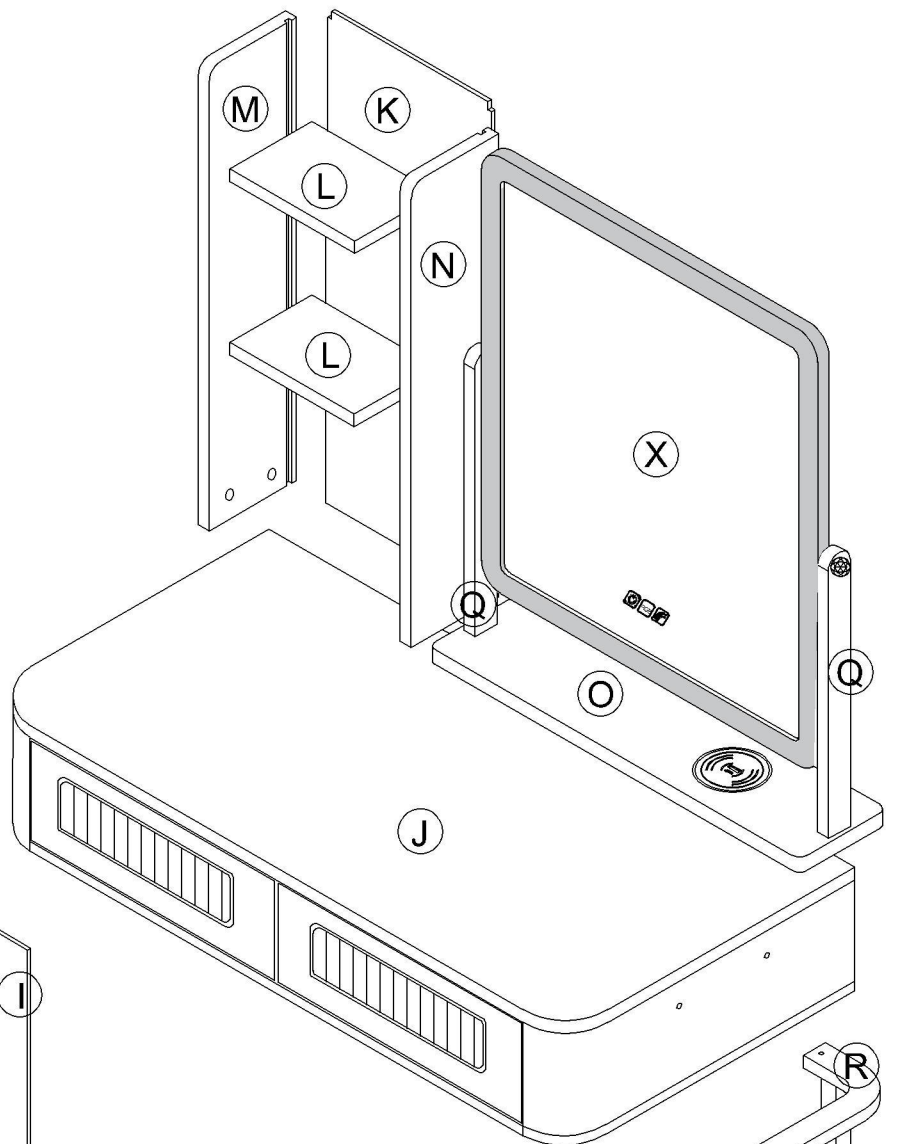
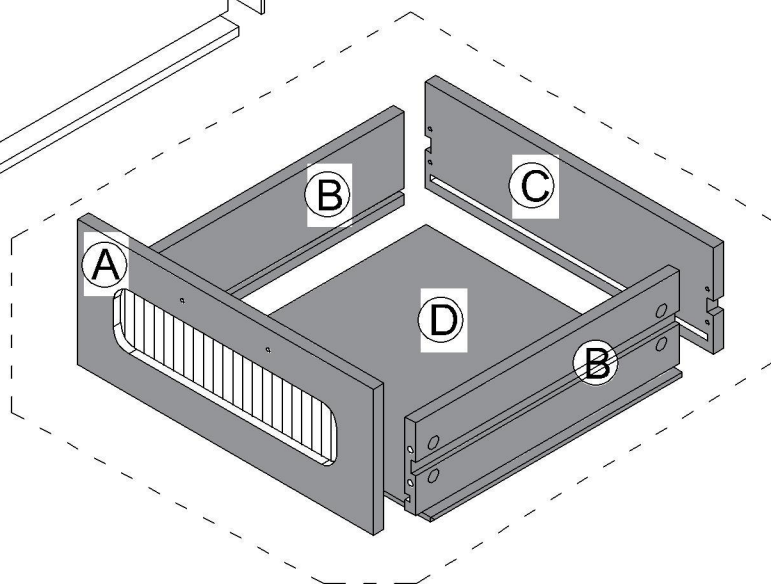
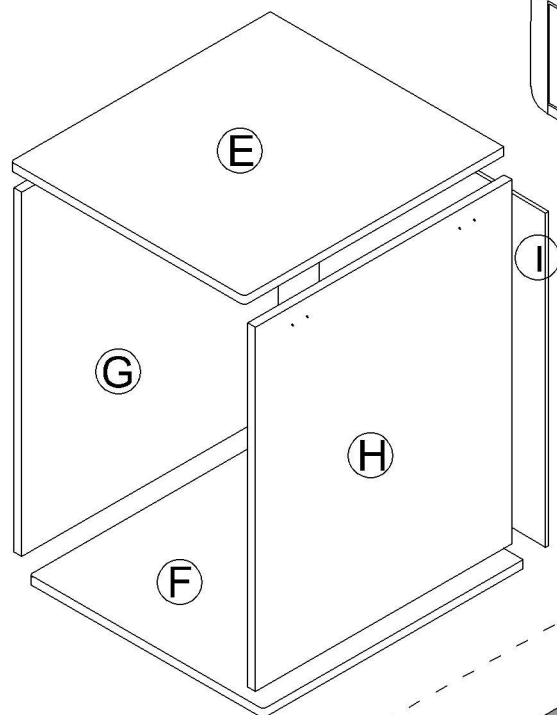
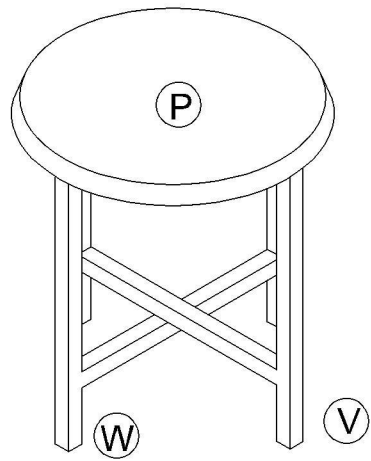


Hardware list

<p>A x3</p> 	<p>B x6</p> 	<p>C x3</p> 	<p>D x3</p> 
<p>E x1</p> 	<p>F x1</p> 	<p>G x1</p> 	<p>H x1</p> 
<p>I x1</p> 	<p>J x1</p> 	<p>K x1</p> 	<p>L x2</p> 
<p>M x1</p> 	<p>N x1</p> 	<p>O x1</p> 	<p>P x1</p> 
<p>Q x2</p>  <p>330x40x20mm</p>	<p>R x1</p>  <p>Upper bracket without rubber pad</p>	<p>S x1</p>  <p>Lower bracket with rubber pad</p>	<p>T x4</p>  <p>570x20x20mm</p>
<p>V x1</p> 	<p>W x1</p> 	<p>X x1</p> 	<p></p>

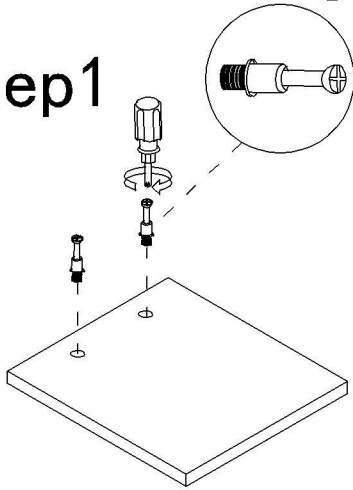
Accessories list

①		Two in one screw (6x28mm)	44 Pcs
②		Two in one nut (10x12mm)	44 Pcs
③		Cross machine wire (4x16mm)	5 Pcs
④		Wood chipping (6x30mm)	10 Pcs
⑤		Countersunk head tapping screw (3.5x12mm)	20 Pcs
⑥		Hexagonal machine wire (6x16mm)	1 Pcs
⑦		Hexagon socket screwdriver H4	1 Pcs
⑧		Hexagonal machine wire (6x30mm)	20 Pcs
⑨		Protective sticker	4 Pcs
⑩		Back plate buckle & Screw (3x16mm)	4 Pcs
⑪		Corner code(30x30x1.5)(3.5x12)	2 Pcs
⑫		Countersunk head tapping screw (4x45mm)	1 Pcs
⑬		anti-tipping tape	1 Pcs
⑭		Countersunk head tapping screw (4x16mm) gasket	1 Pcs
⑮		The power adapter	1 Pcs
⑯		Cross screwdriver	1 Pcs
⑰		Cross machine wire (8x20mm)	8 Pcs
⑱		Mirror frame crystal screw(6x35mm)	2 Pcs
⑲		Hardware electroplating cabinet feet	4 Pcs
⑳		Acrylic hair dryer holder Hexagonal machine wire (4x16mm)	1 Pcs
㉑		Brown acrylic lipstick grid	1 Pcs
㉒		One to two power link cable	1 Pcs
㉓		Remote control	1 Pcs

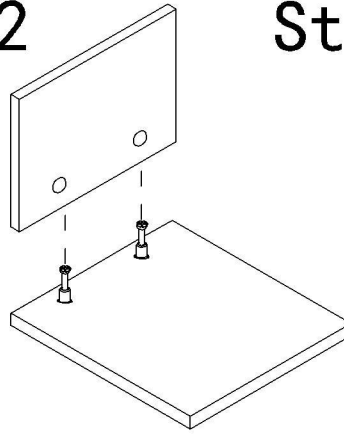


Use parts ① and ②

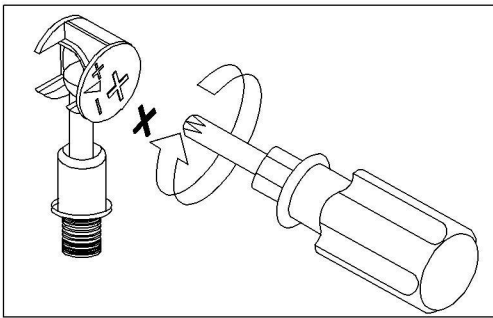
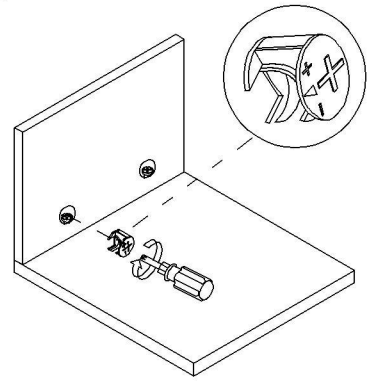
Step 1



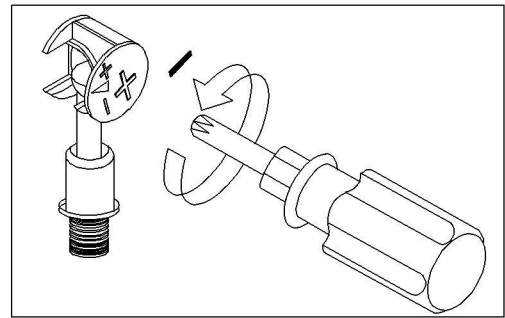
Step 2



Step 3



Use a screwdriver to lock in the direction of the "+" sign



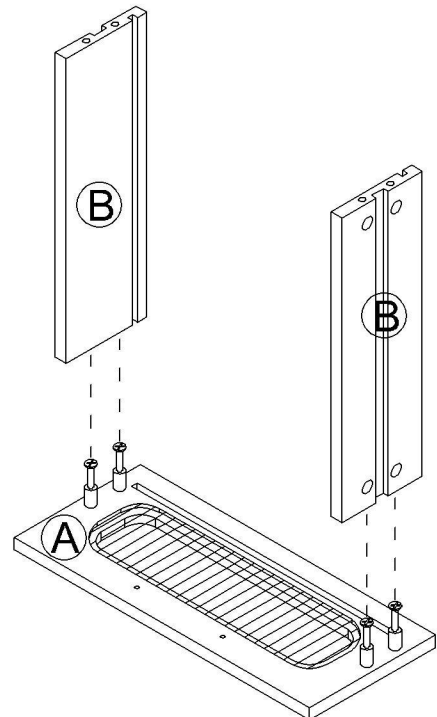
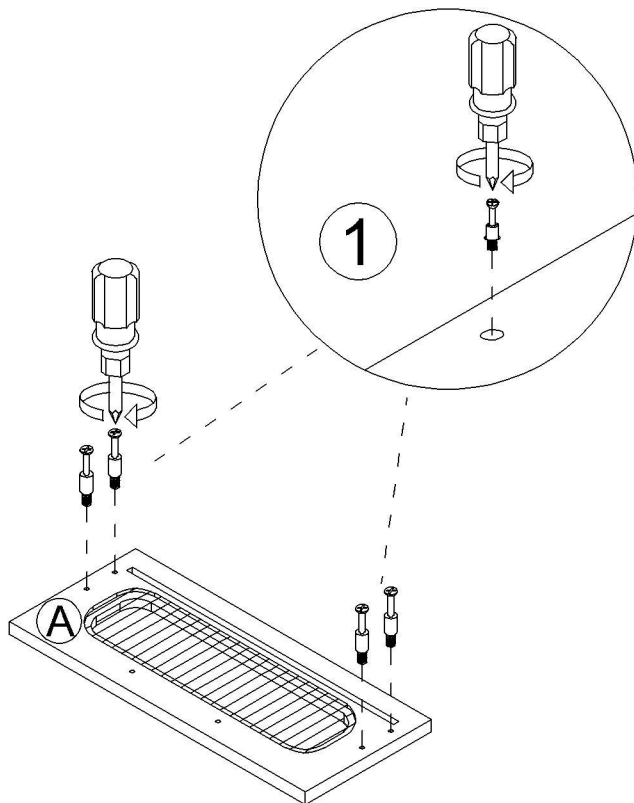
Disassemble along the direction of "-" sign

Step 1

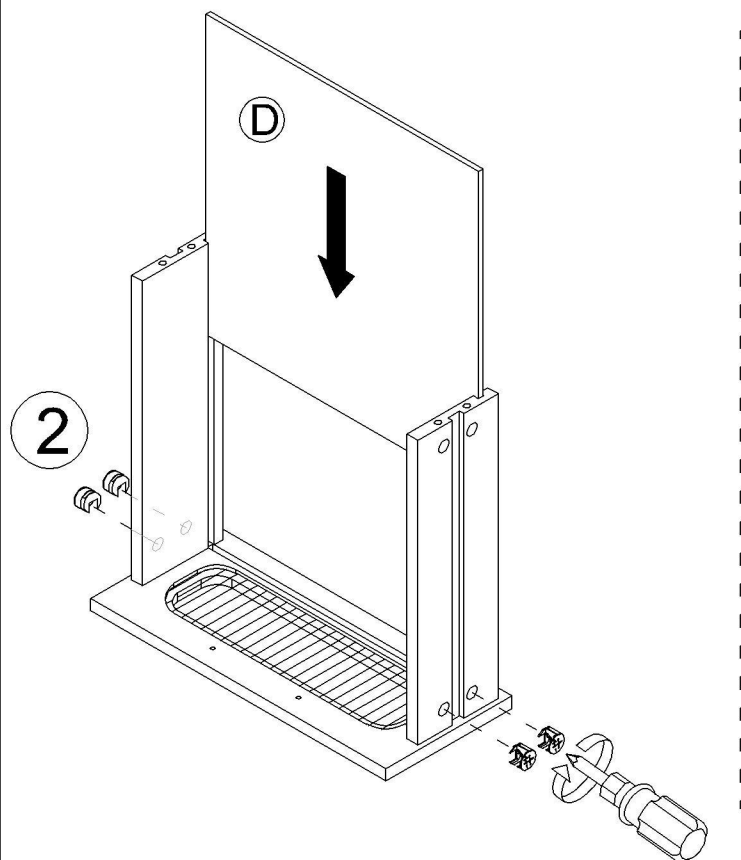
1





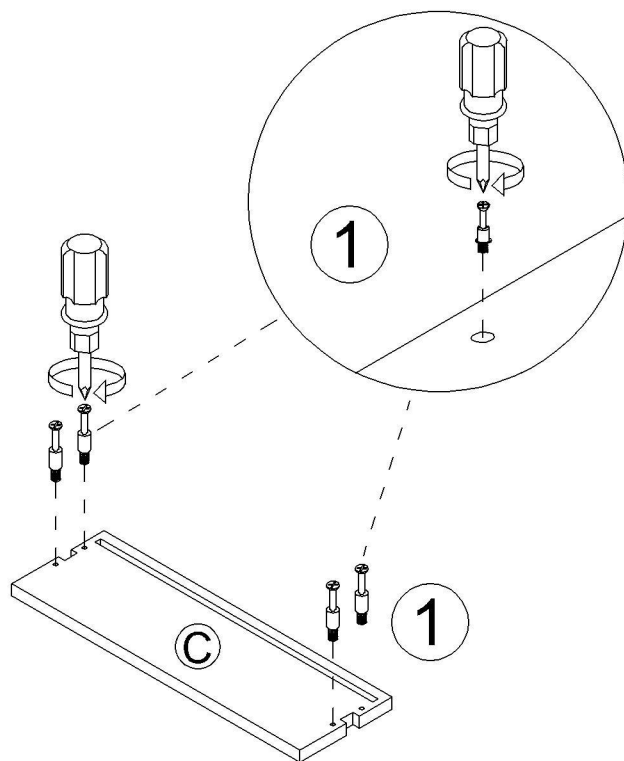
x 4



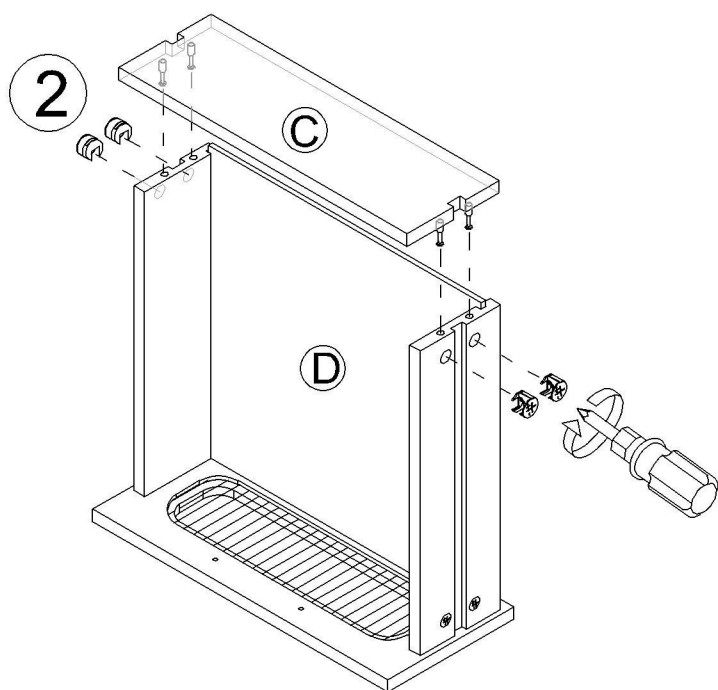
Step 2





1		x 4
2		x 4

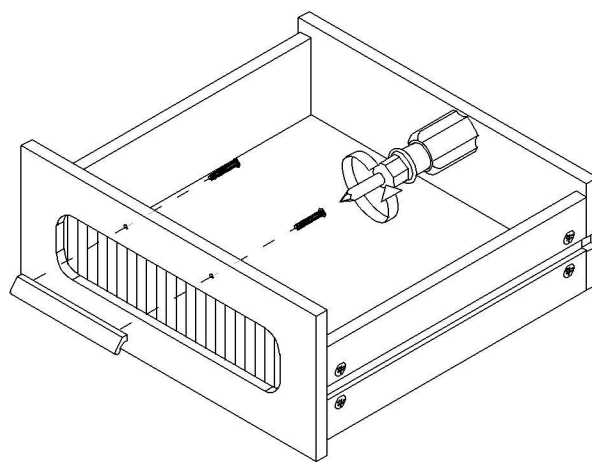


Step 3

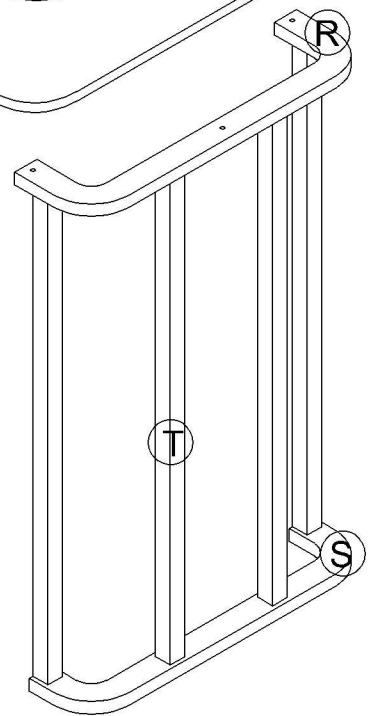
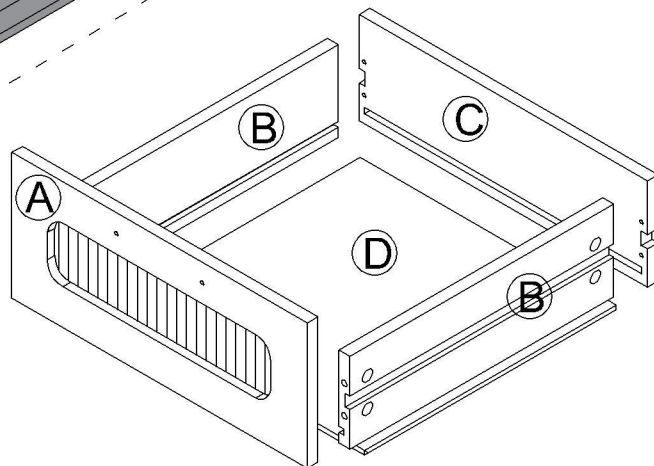
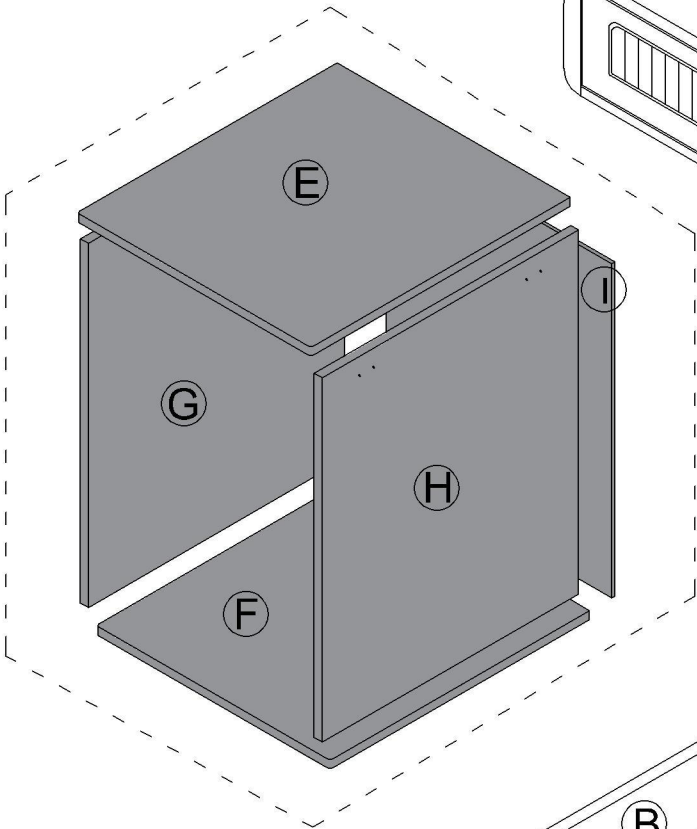
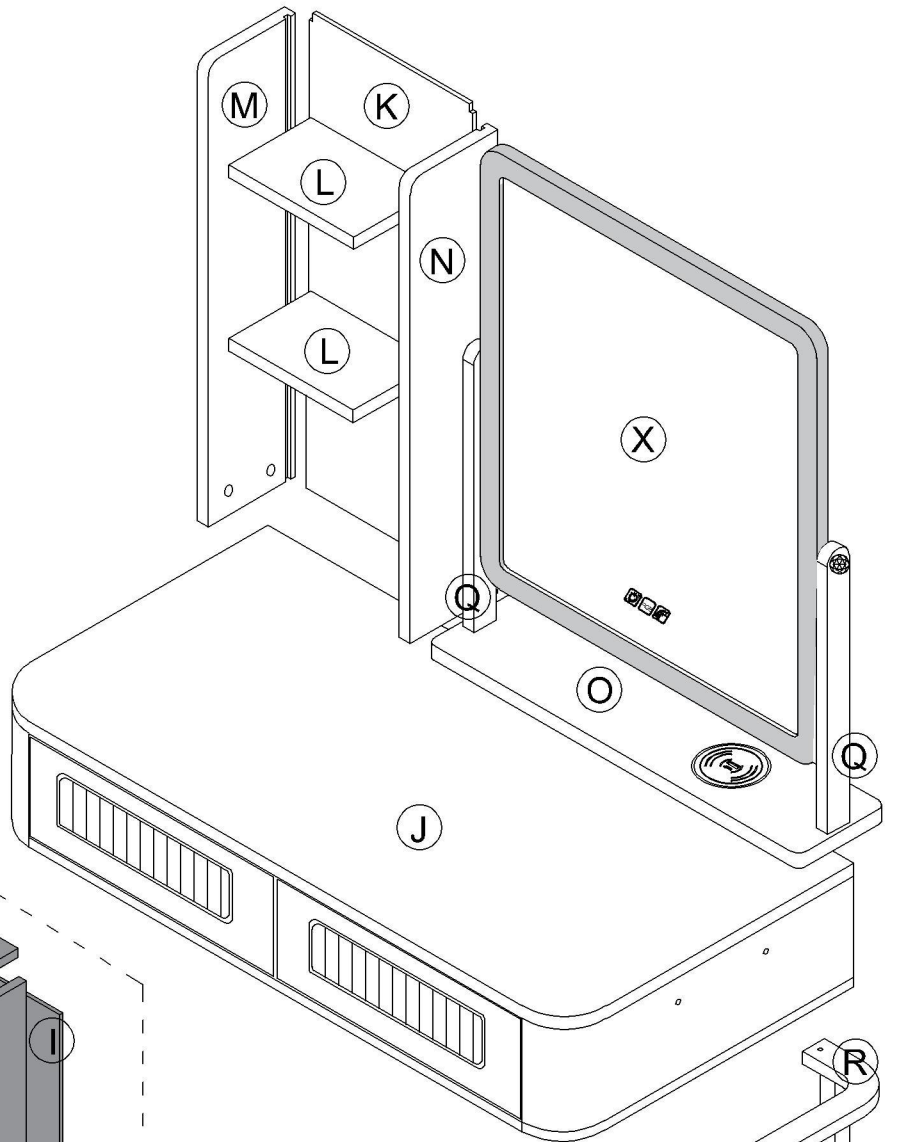
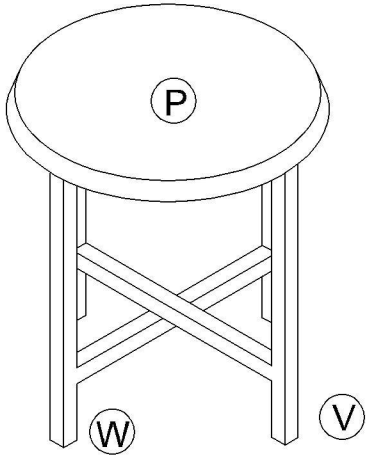


2		x 4
3		x 3



1pcs 2pcs
4x16mm

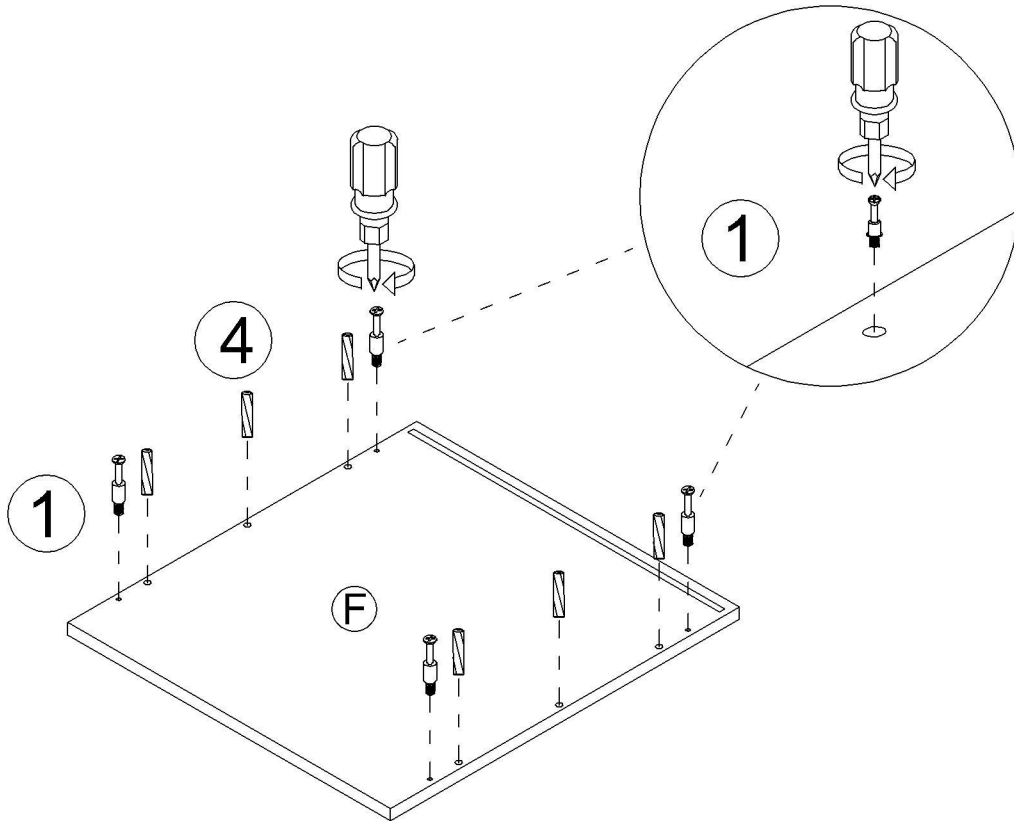


Repeat the first, second, and third steps three times.



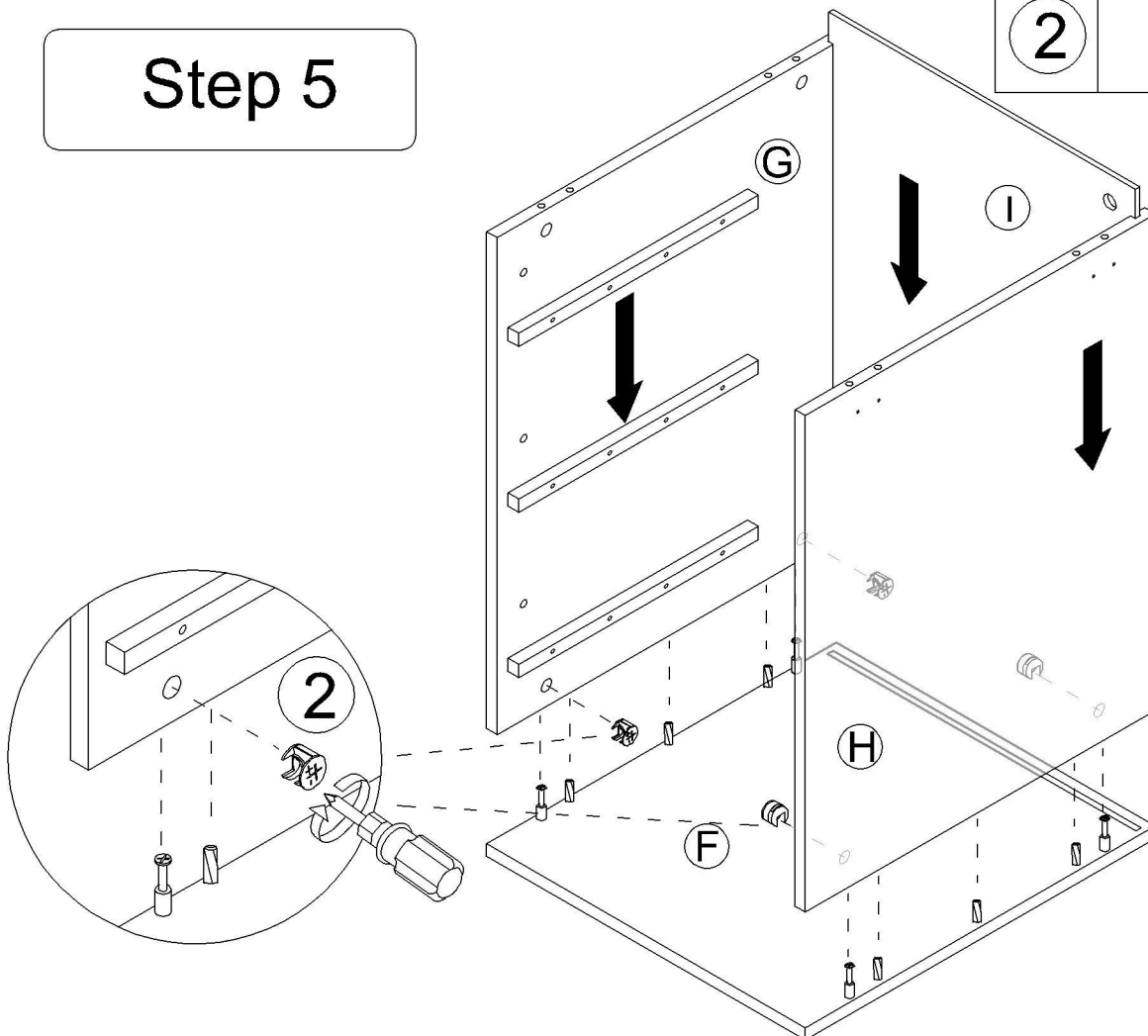
Step 4

1		x 4
4		x 6



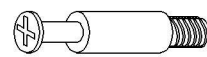
Step 5

2		x 4
---	---	-----

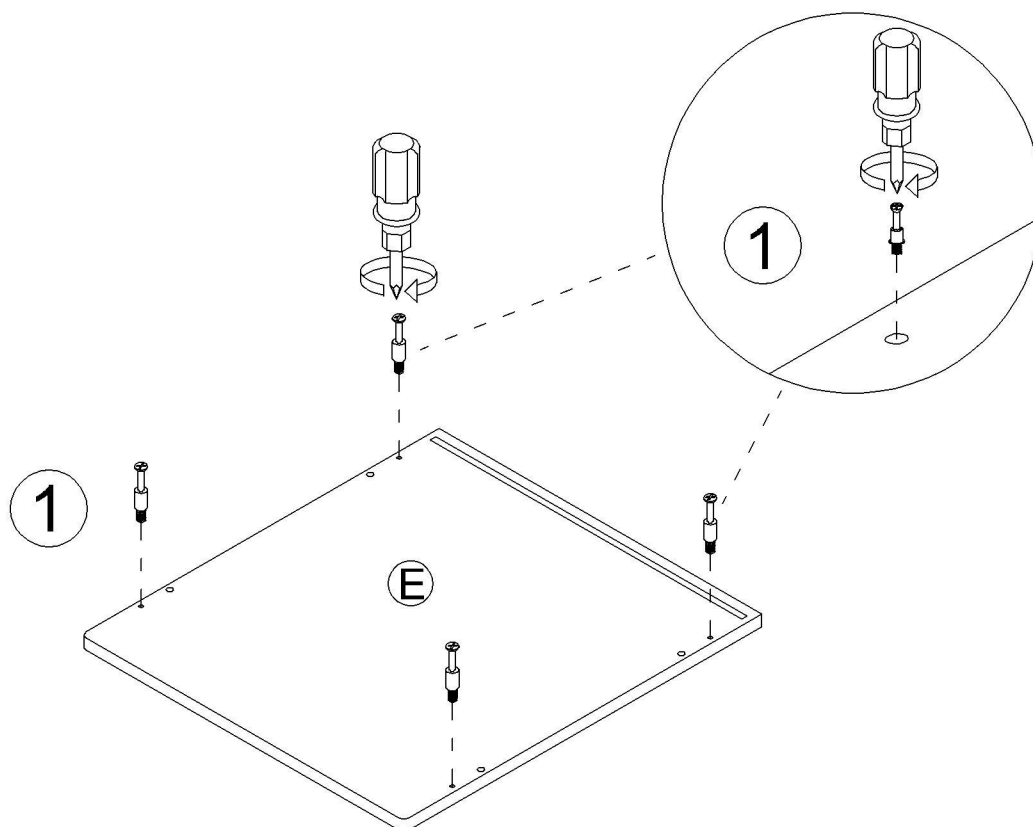


Step 6

1



x 4

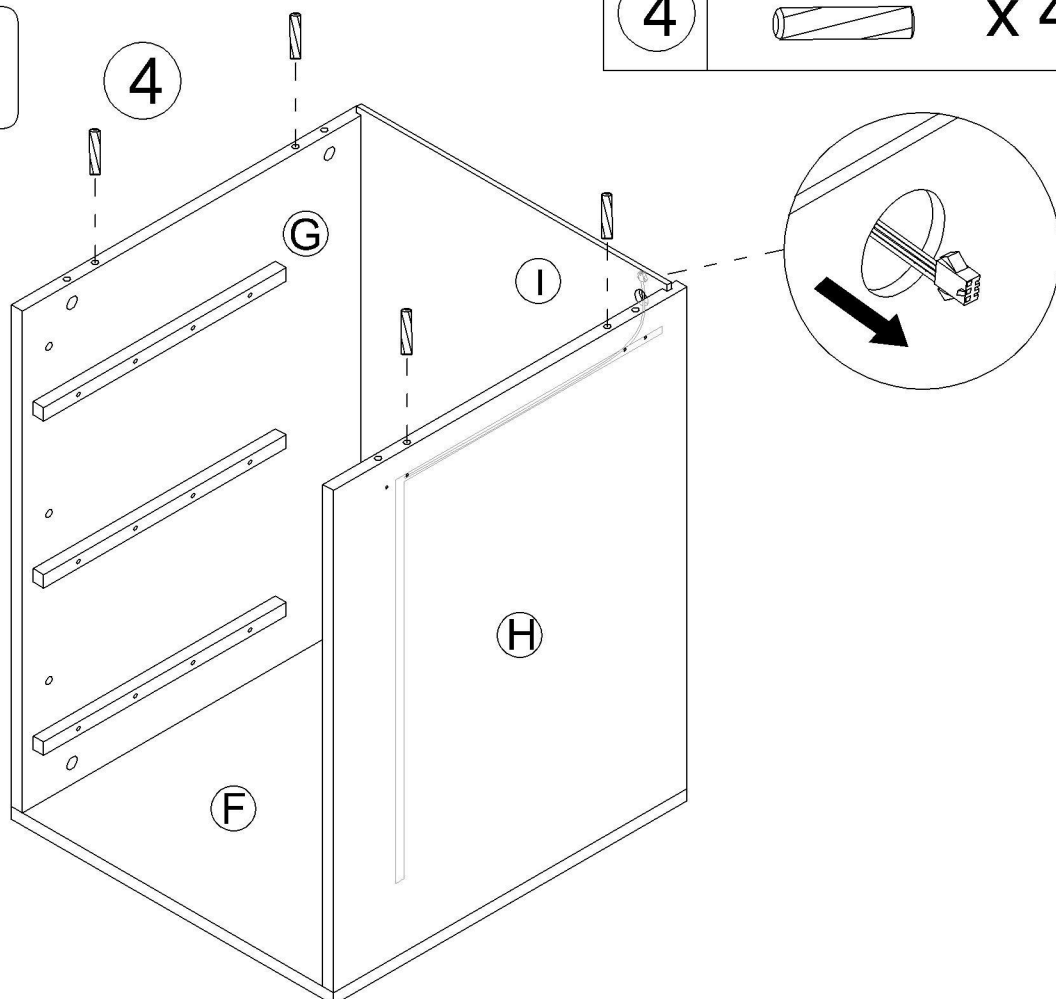


Step 7

4



x 4

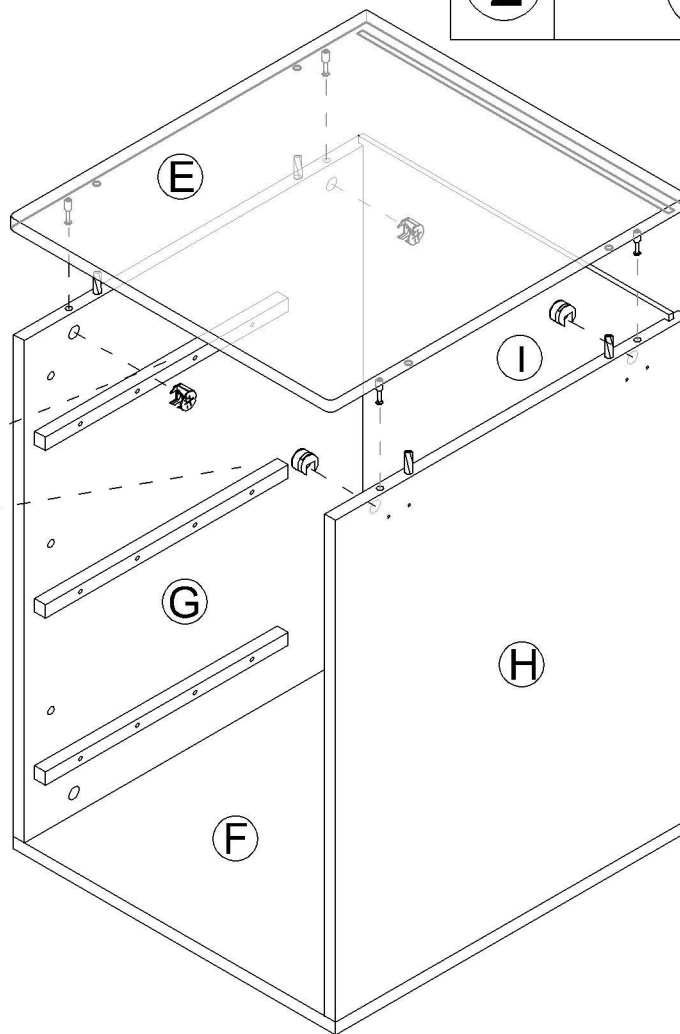
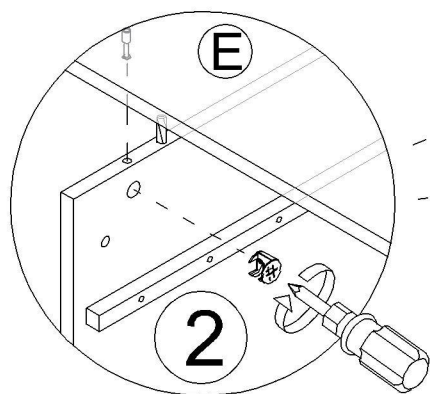


Step 8

2



x 4



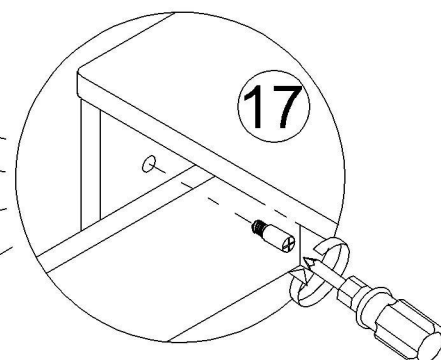
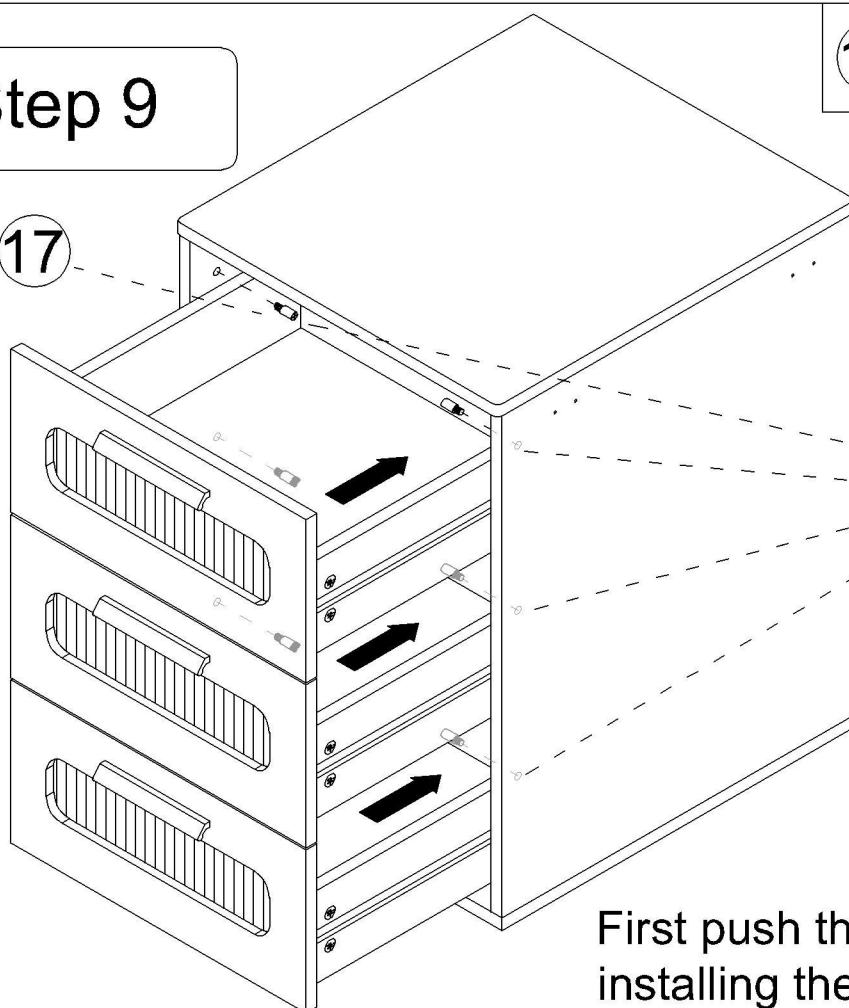
Step 9

17



x 6

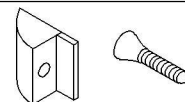
17



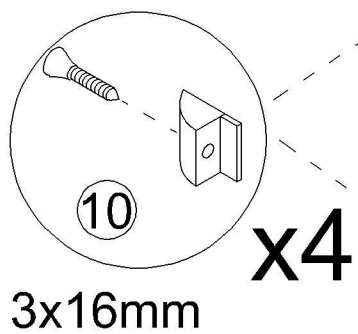
First push the drawer in half before installing the accessories

Step 10

10

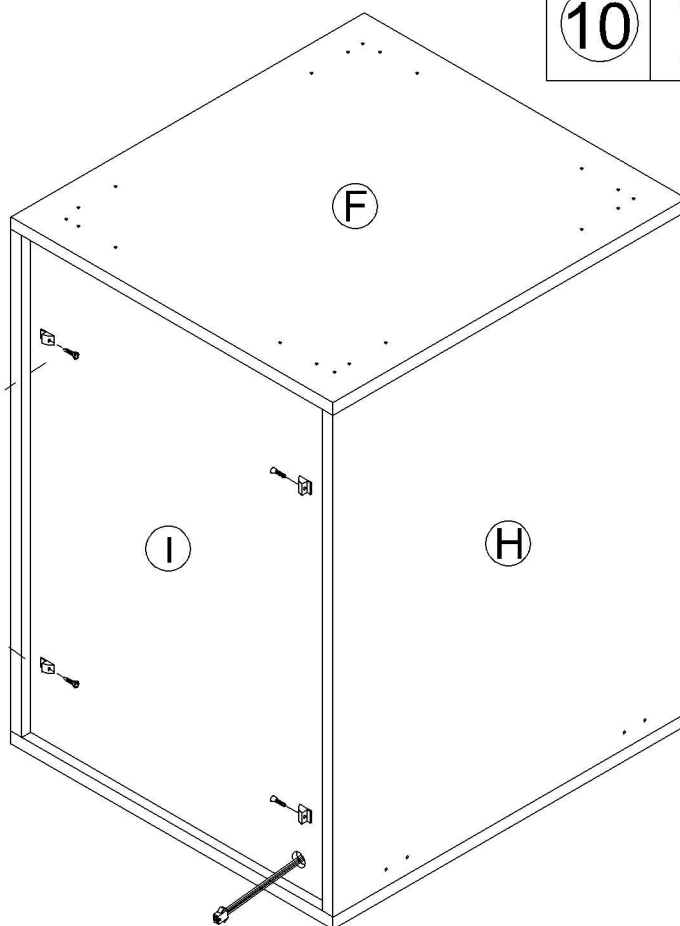


x 4



x4

3x16mm



Step 11

19

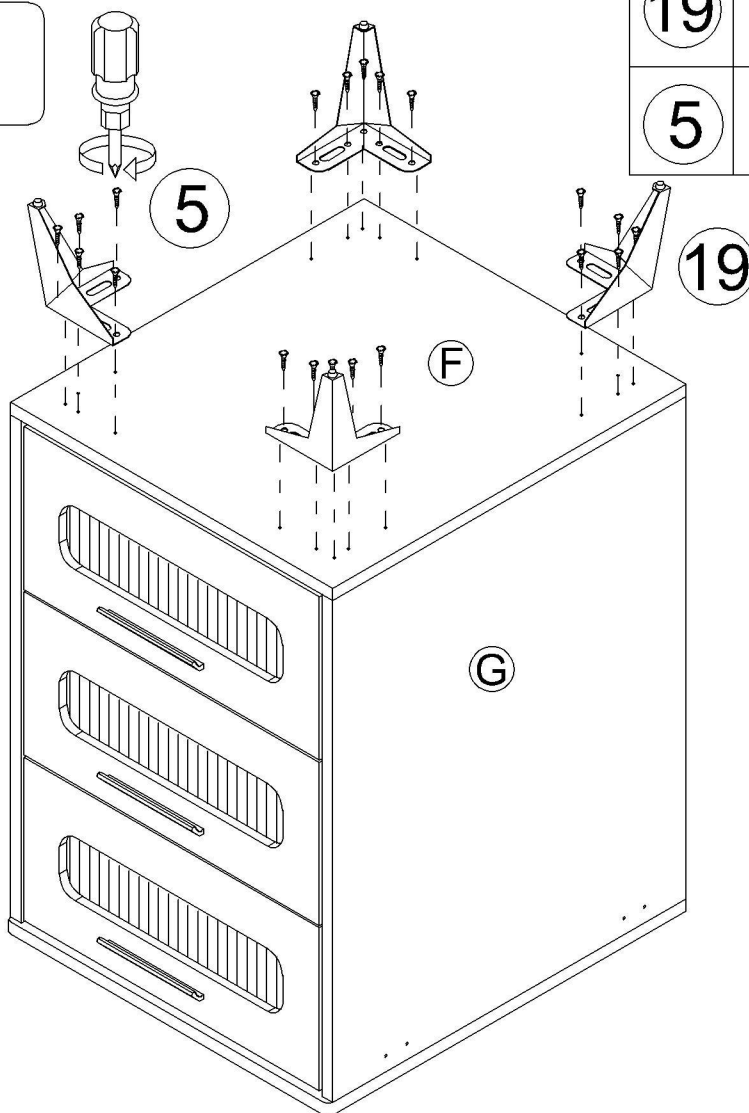


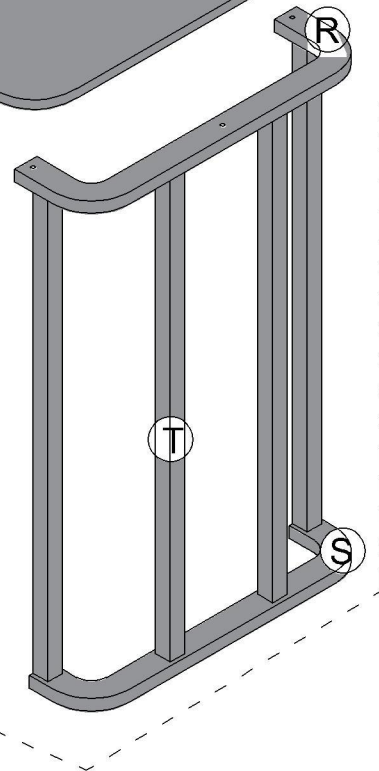
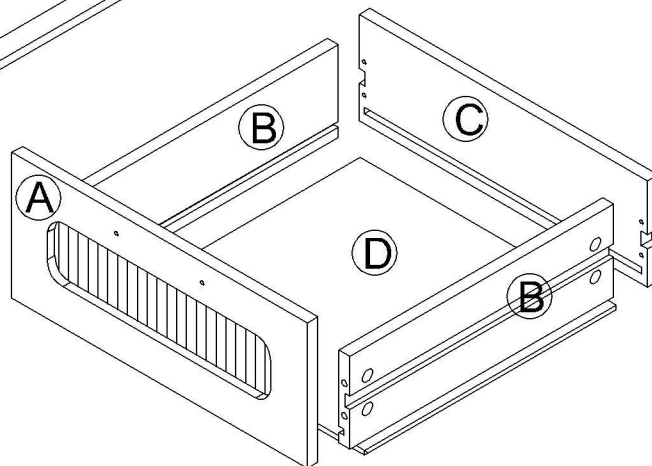
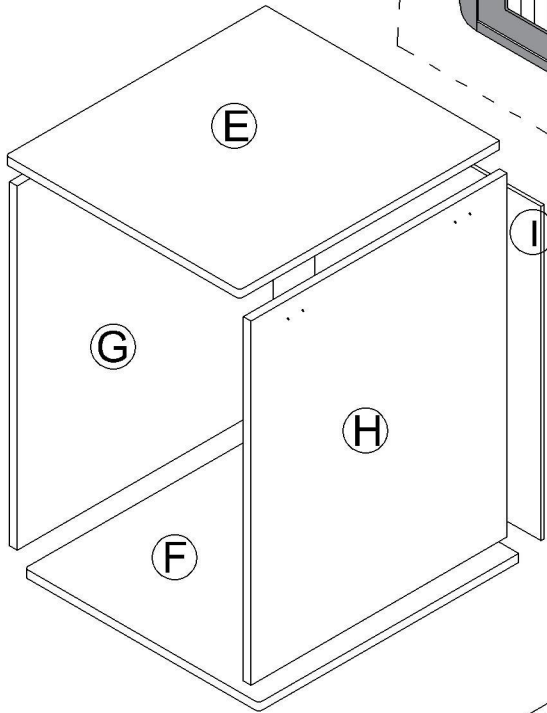
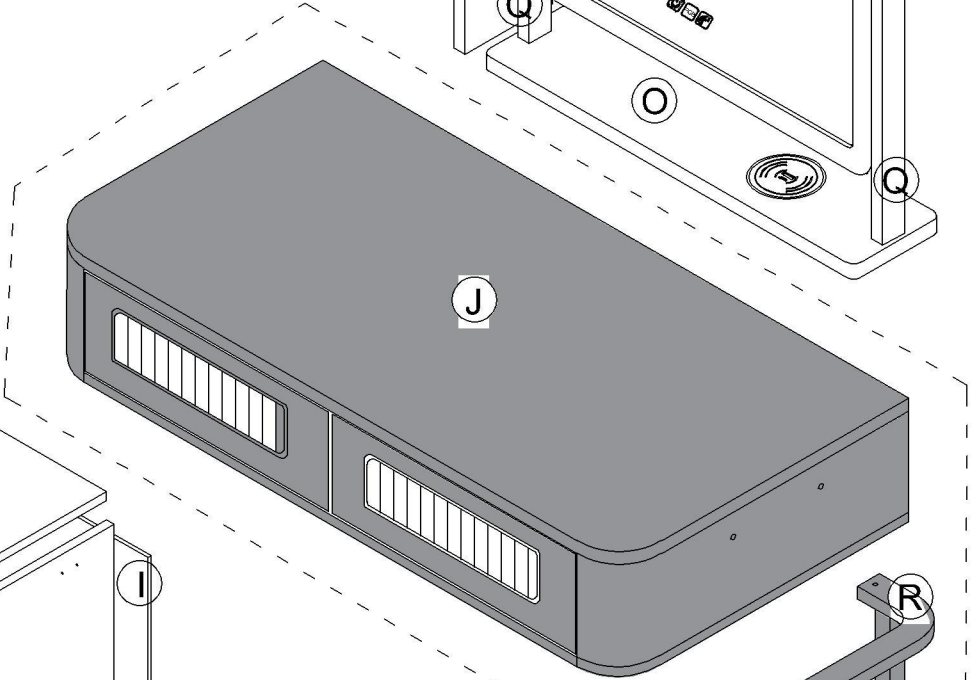
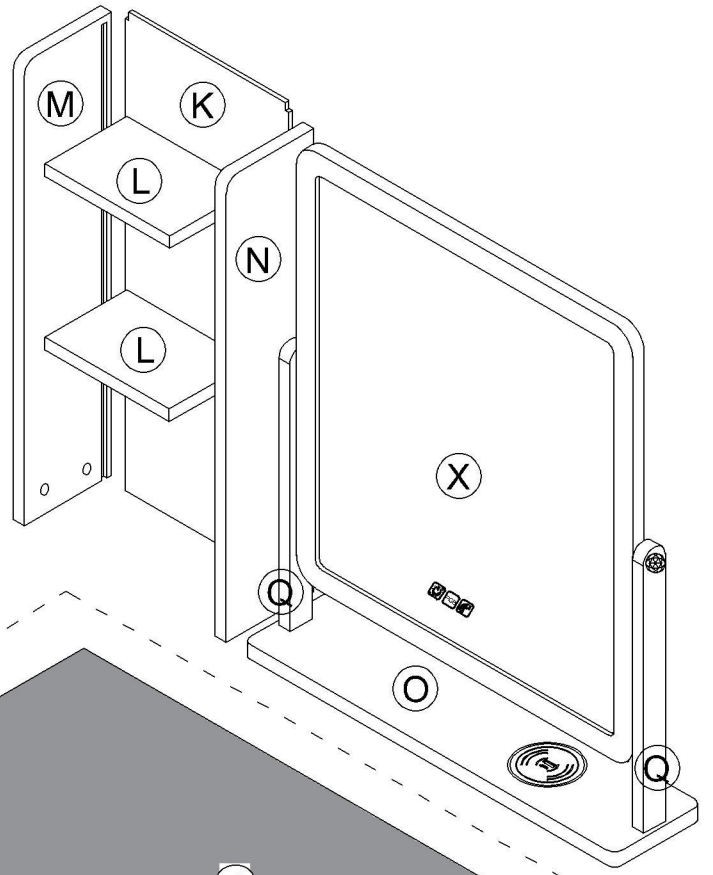
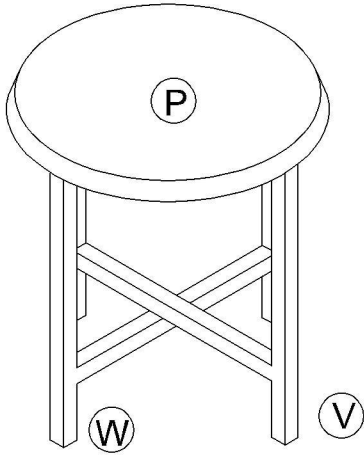
x 4

5


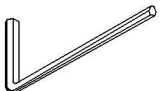


x 20



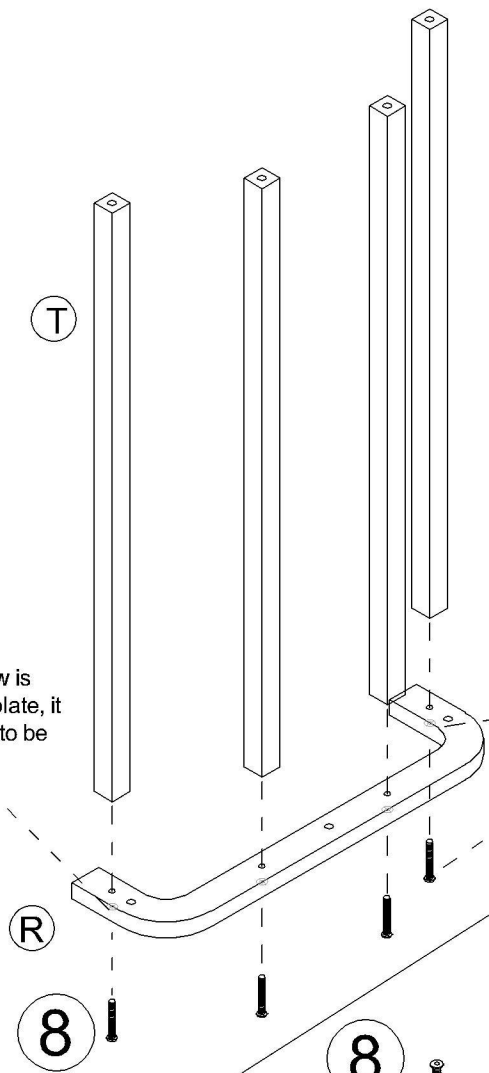



Step 12

8		x 4
7		x 1

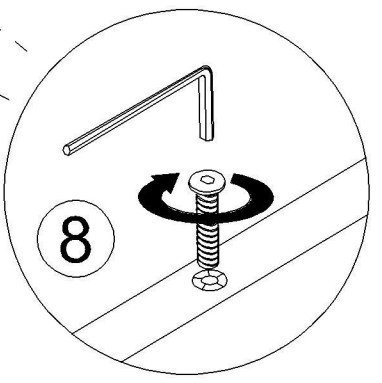
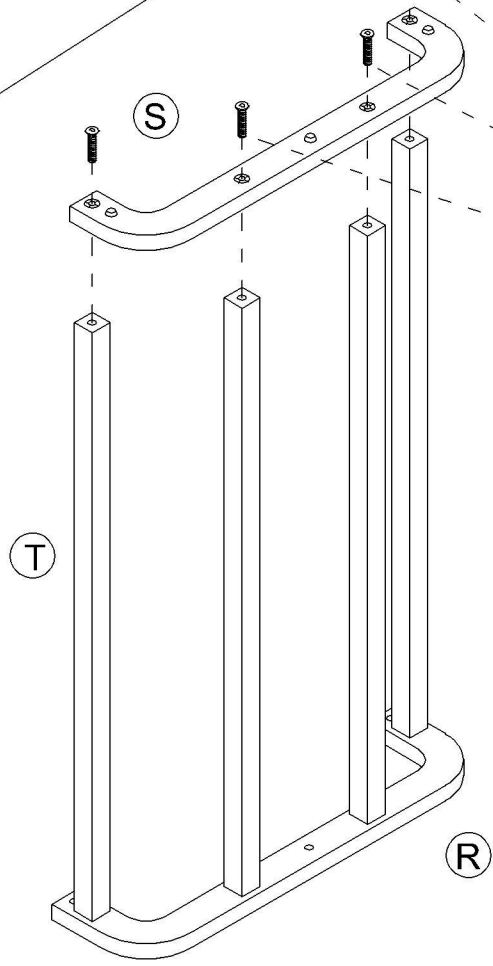
Install screws on the counterbore side

The hole design is misaligned, after the screw is installed, if the screw is higher than the iron plate, it is wrong, and the R wrought iron strip needs to be reversed and reinstalled



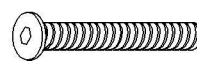
8		x 4
---	--	-----

Step 13



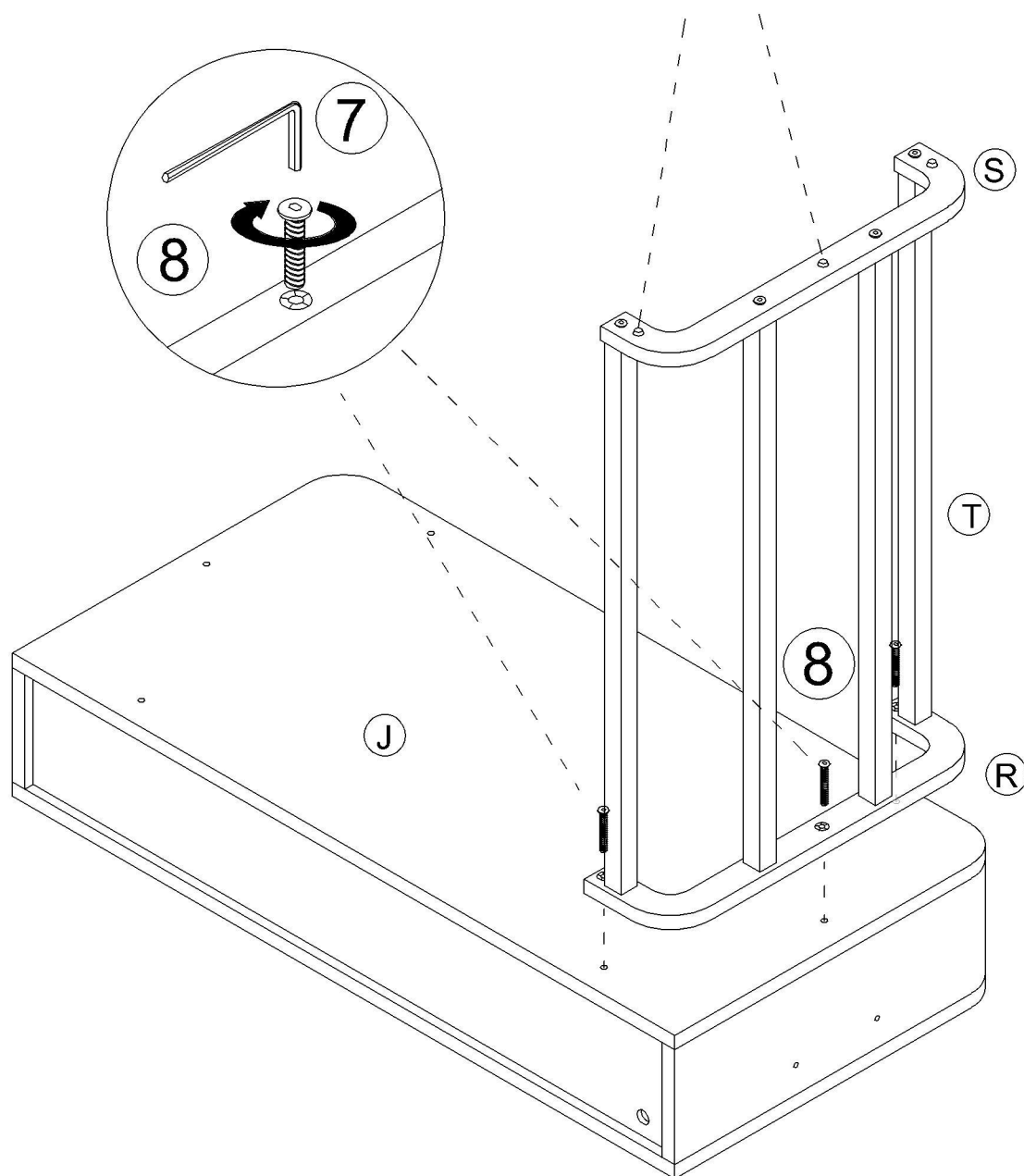
Step 14

8



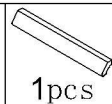
x 3

Note that the foot pad at the bottom of the iron frame S can be rotated and adjusted according to the actual situation.

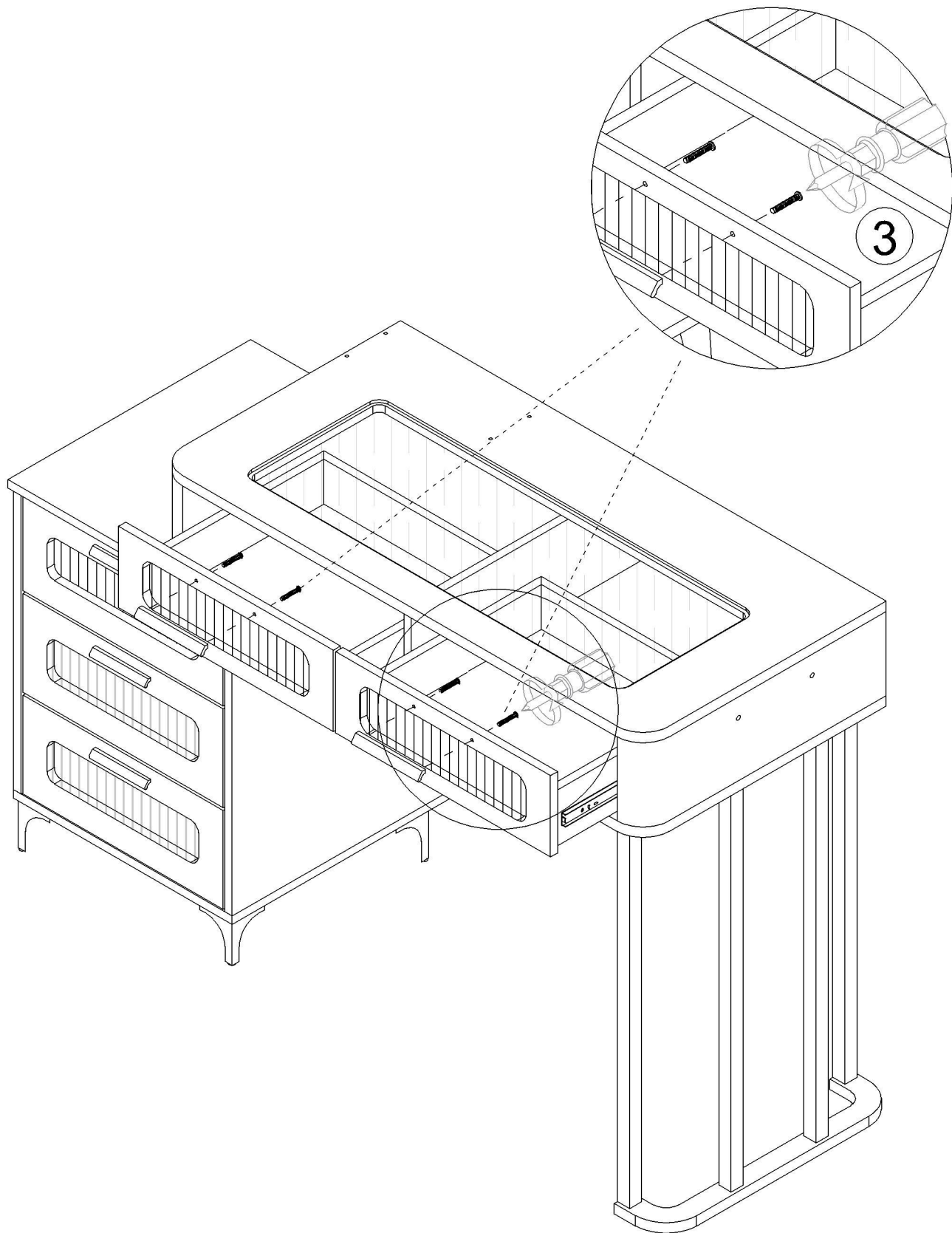


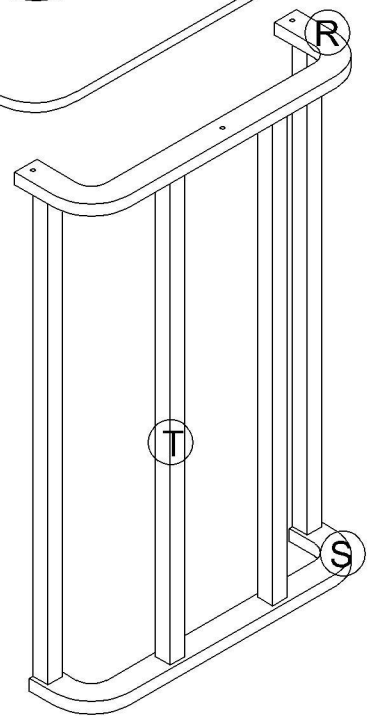
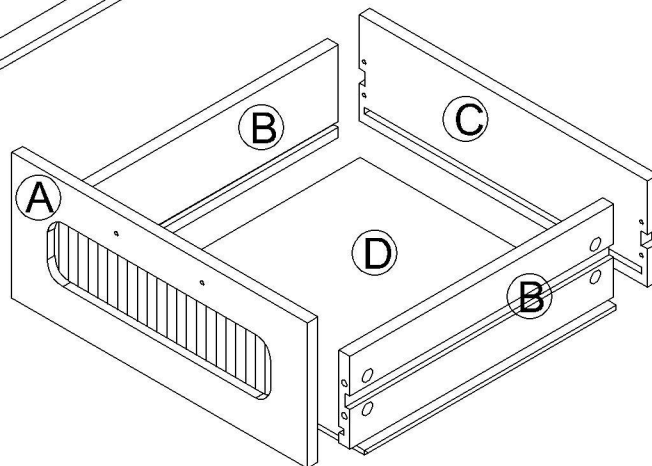
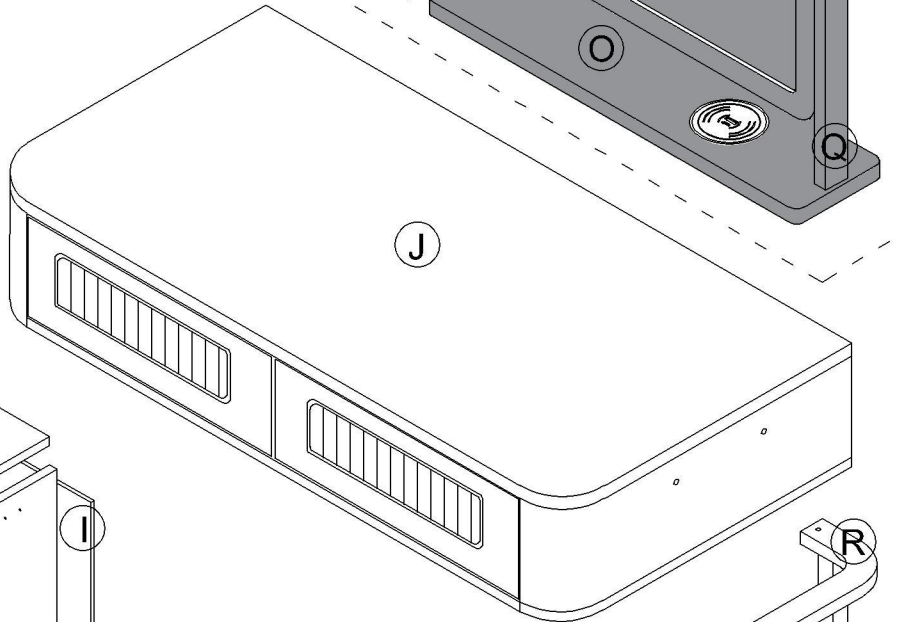
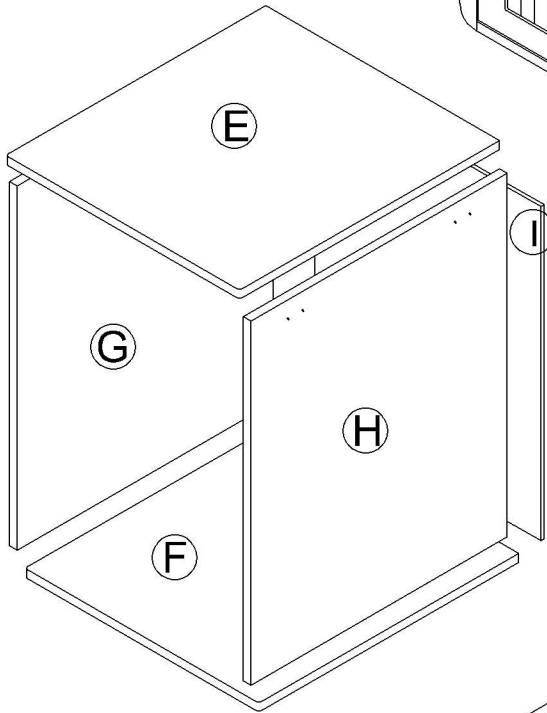
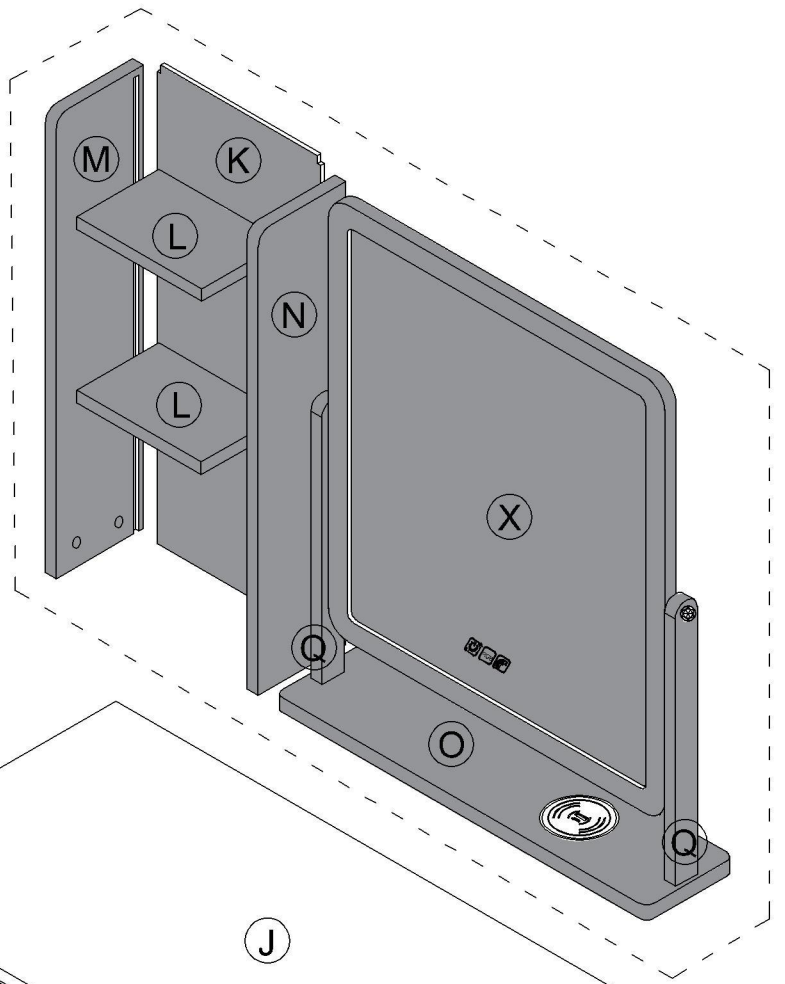
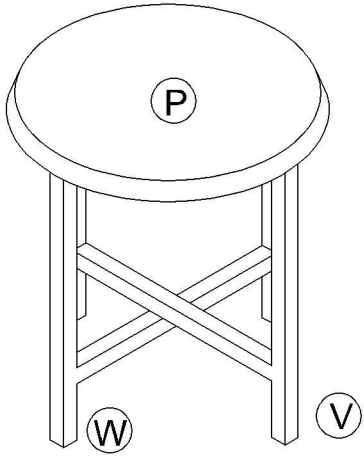
Step 15

3



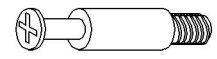
x 2



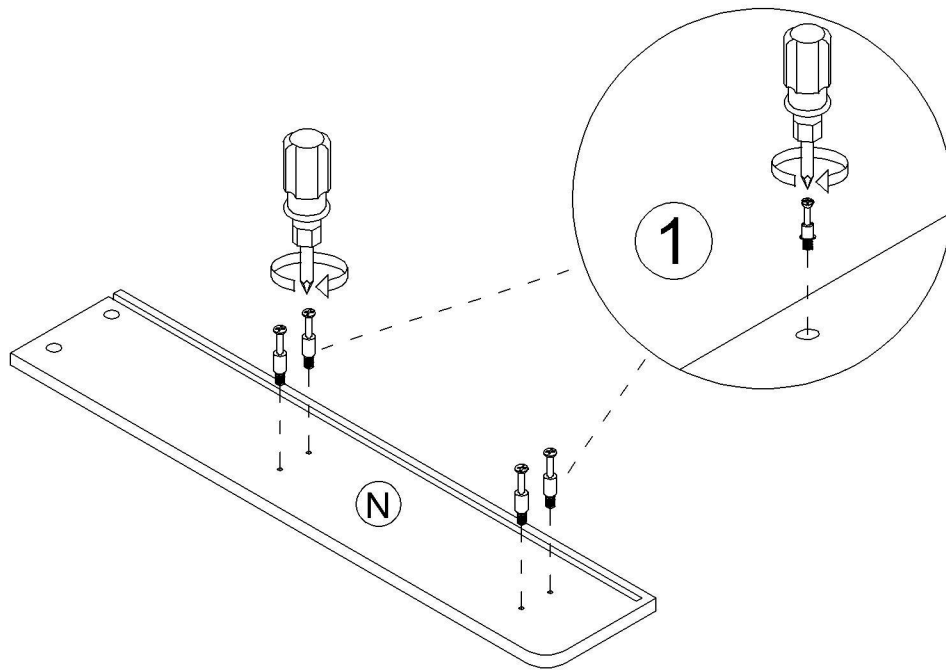


Step 16

1



x 4

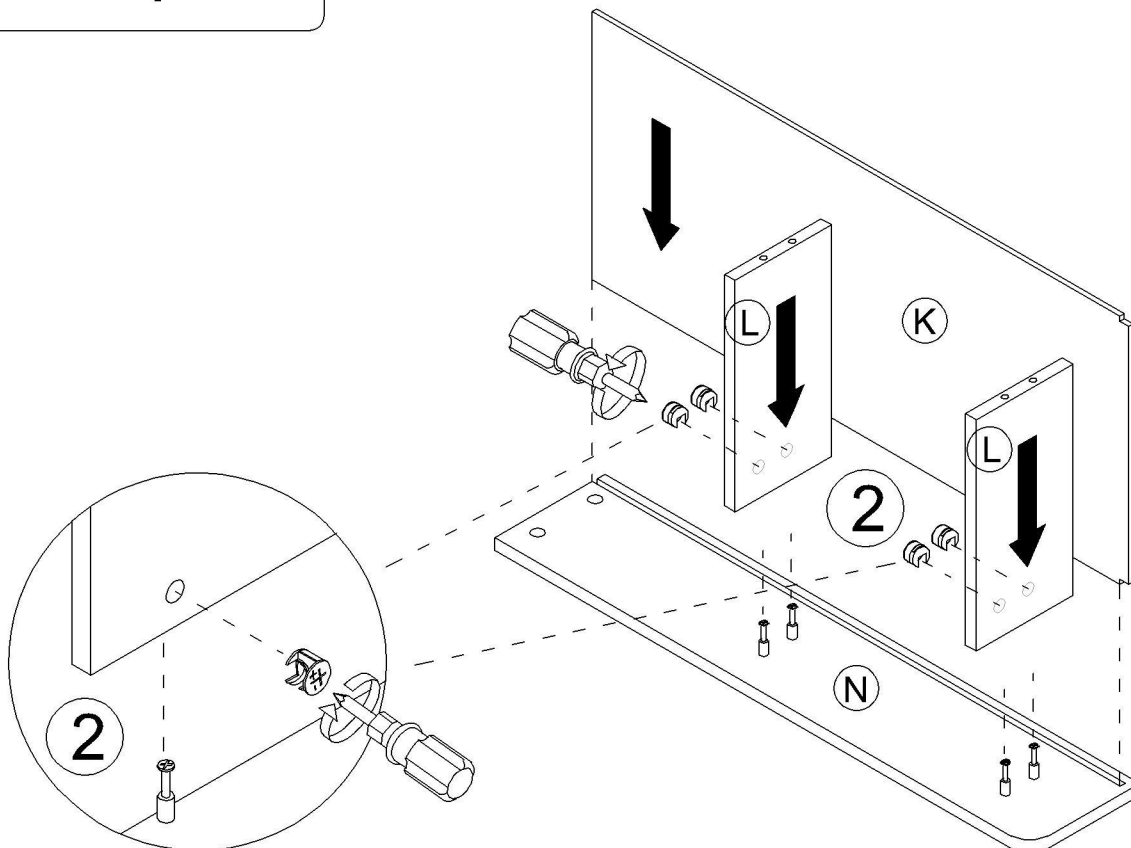


Step 17

2

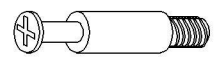


x 4

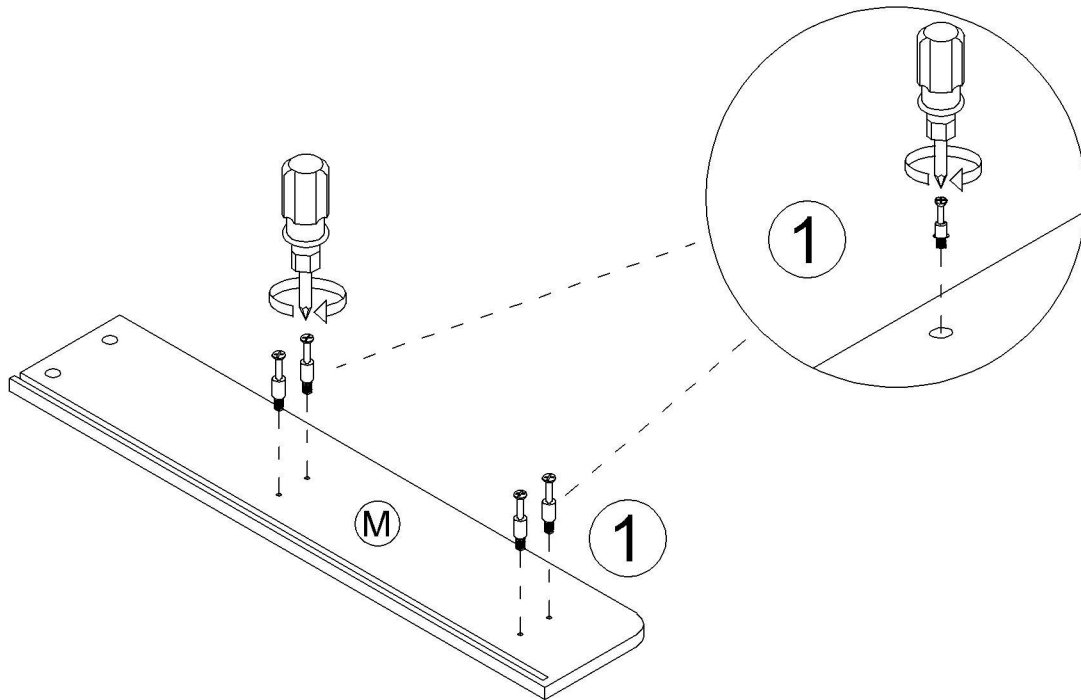


Step 18

1



x 4

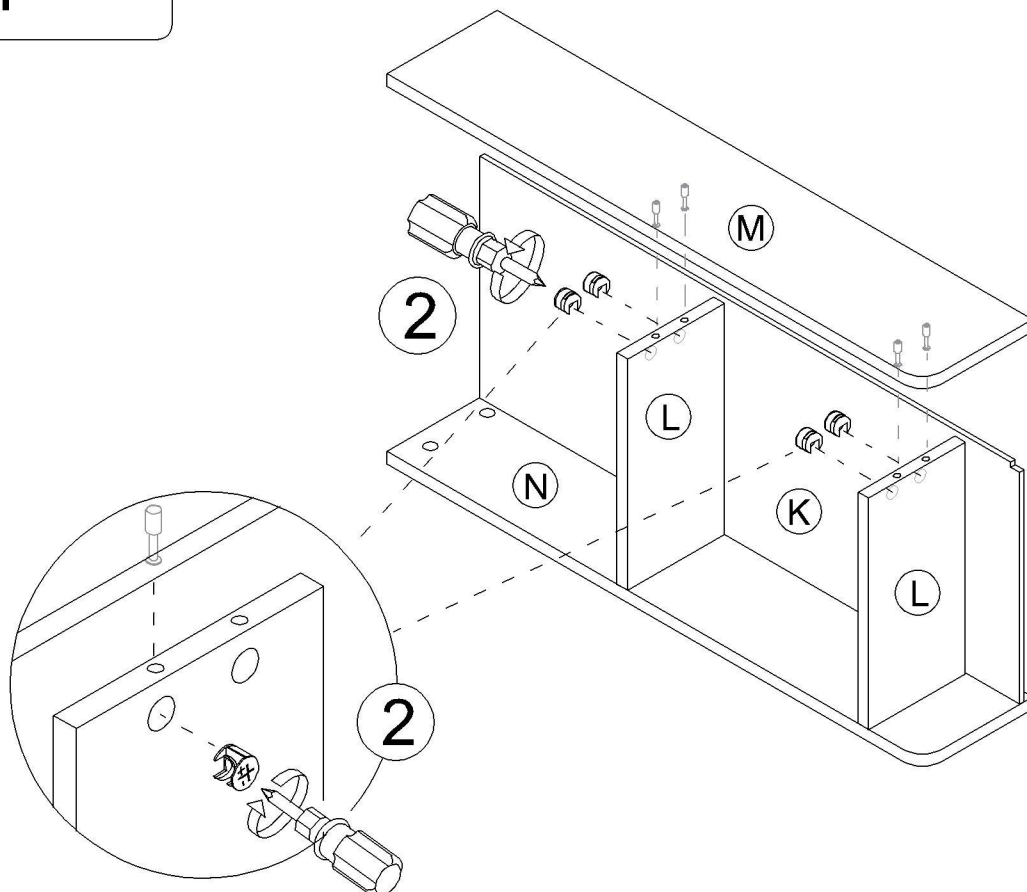


Step 19

2

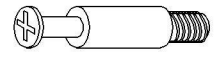


x 4

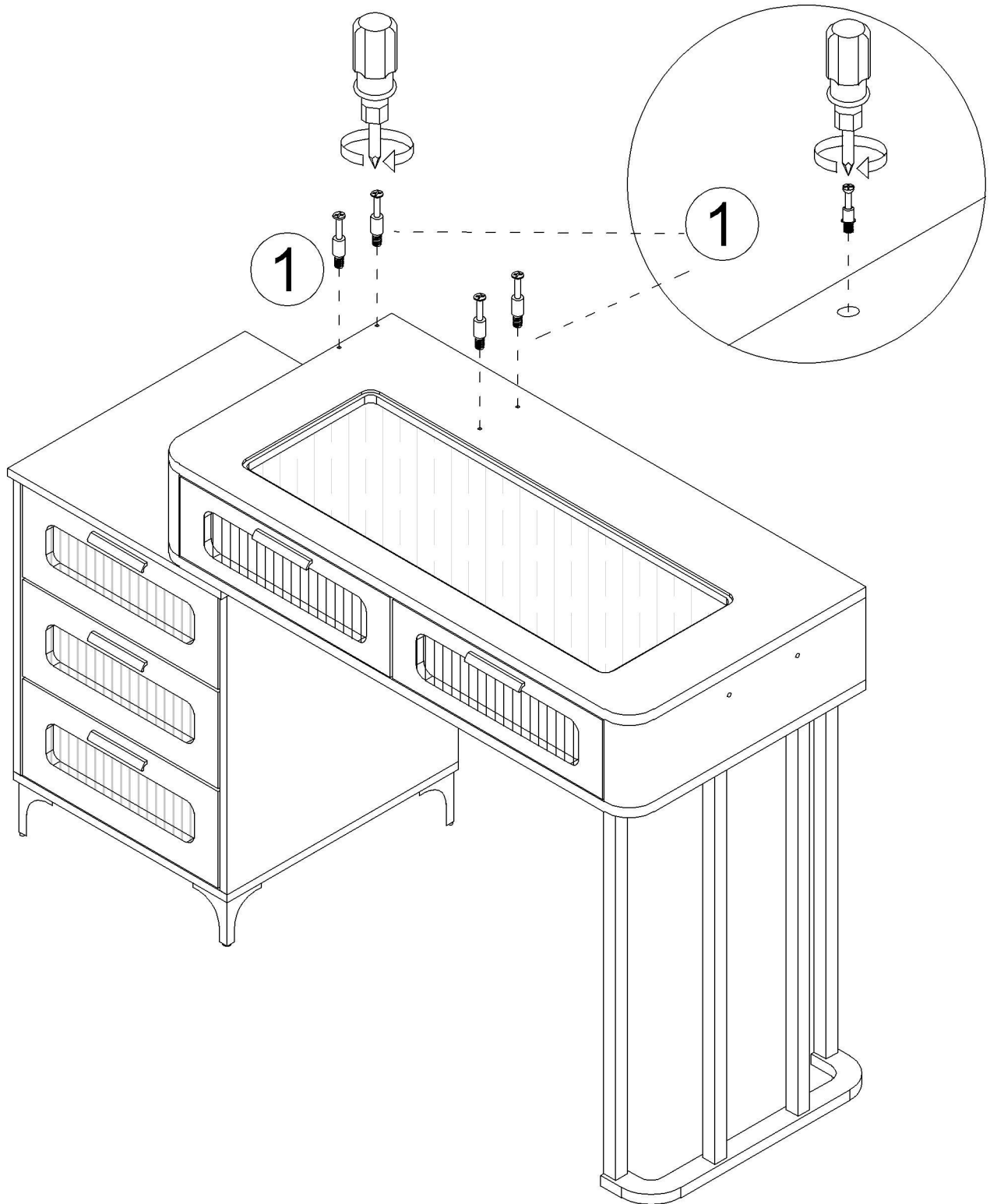


Step 20





1

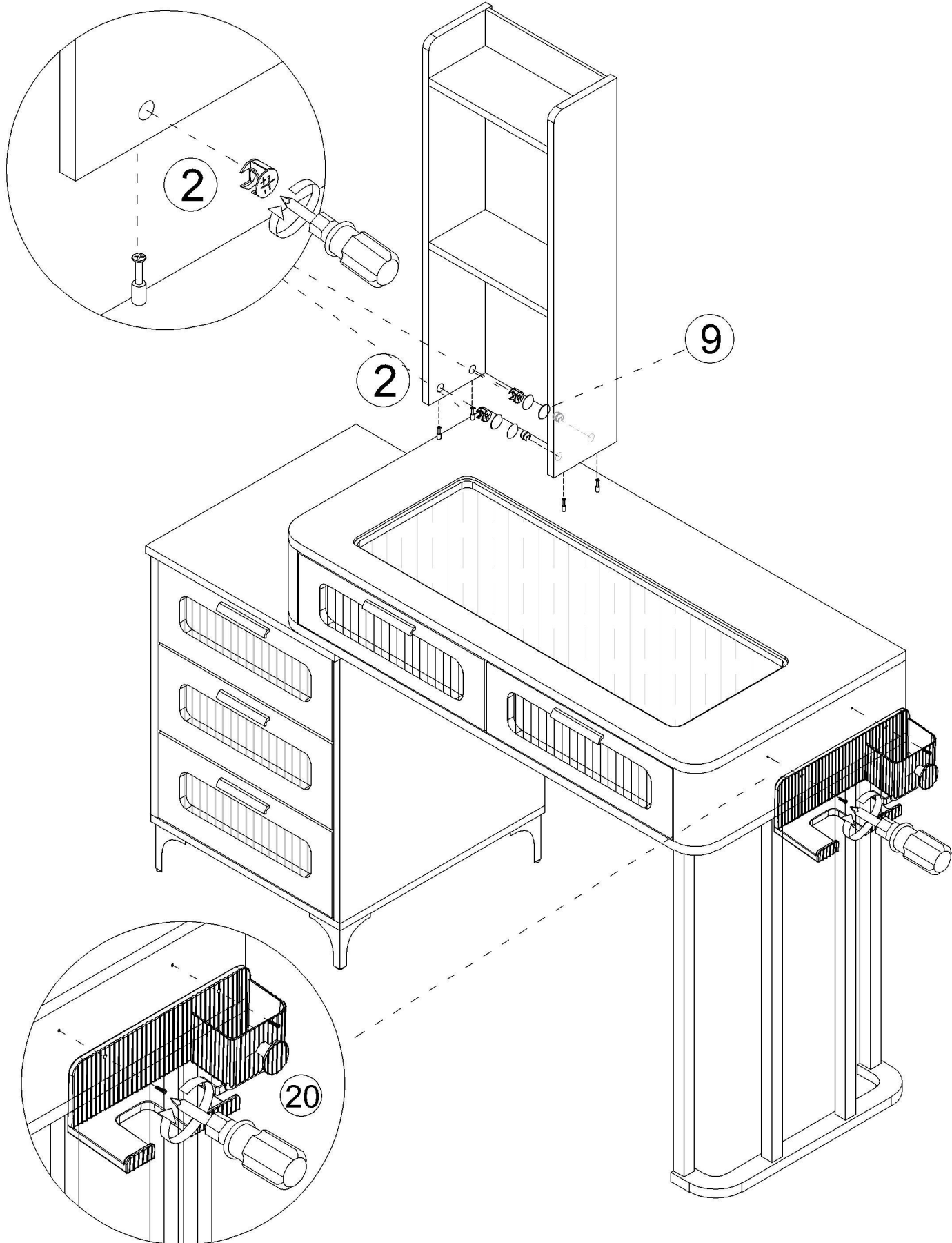


x 4





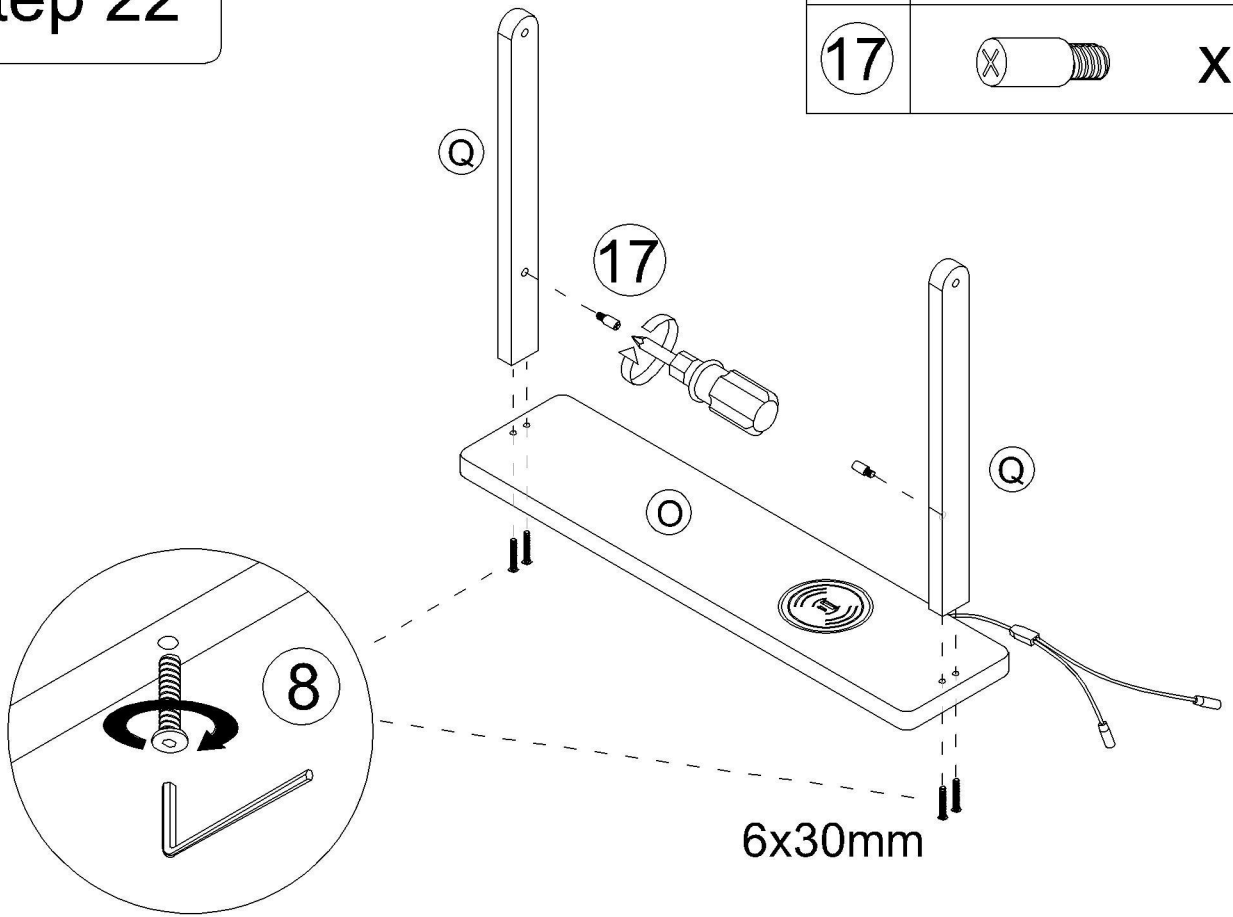
Step 21

2		x 4
9		x 4
20	 1 Pcs  2 Pcs	x 1





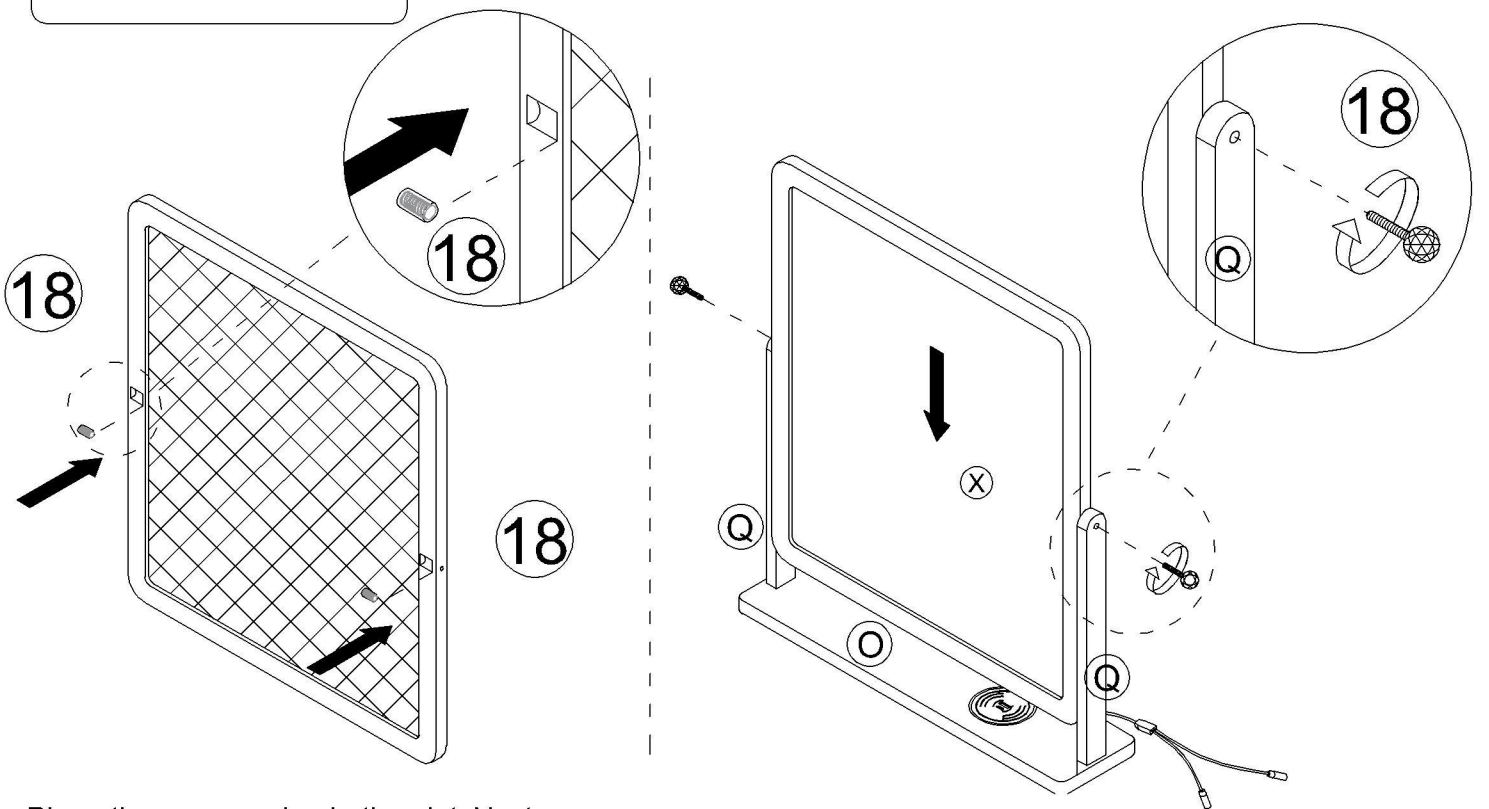
Step 22

8		x 4
17		x 2

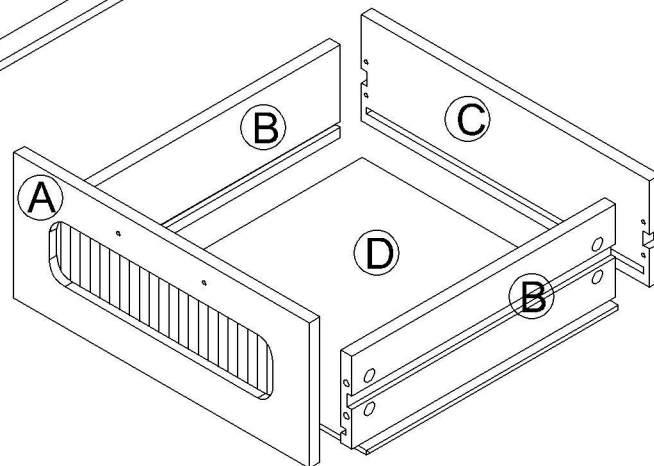
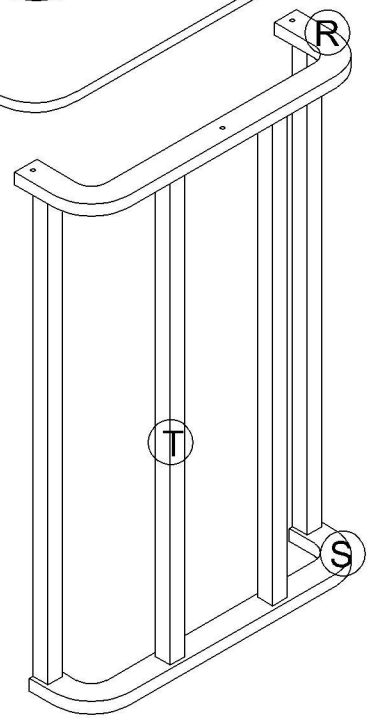
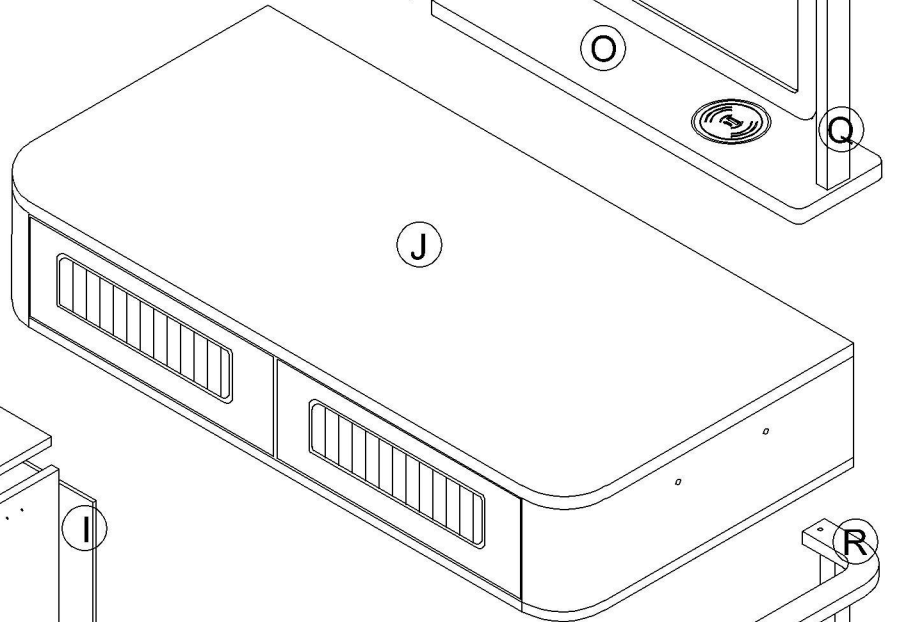
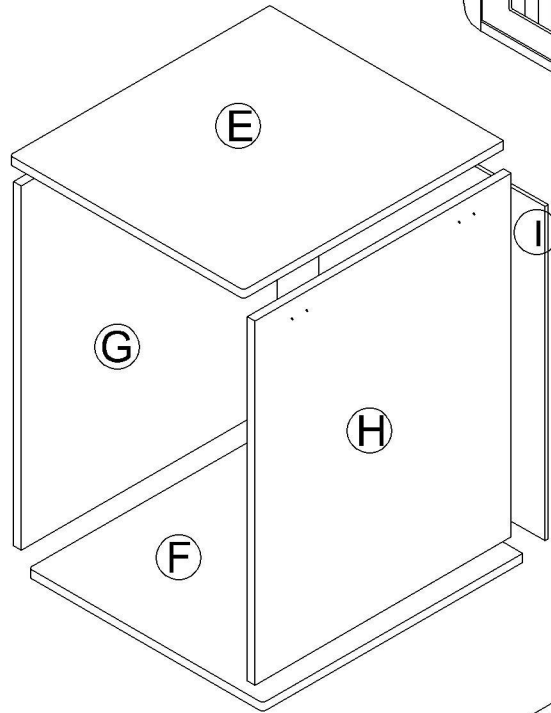
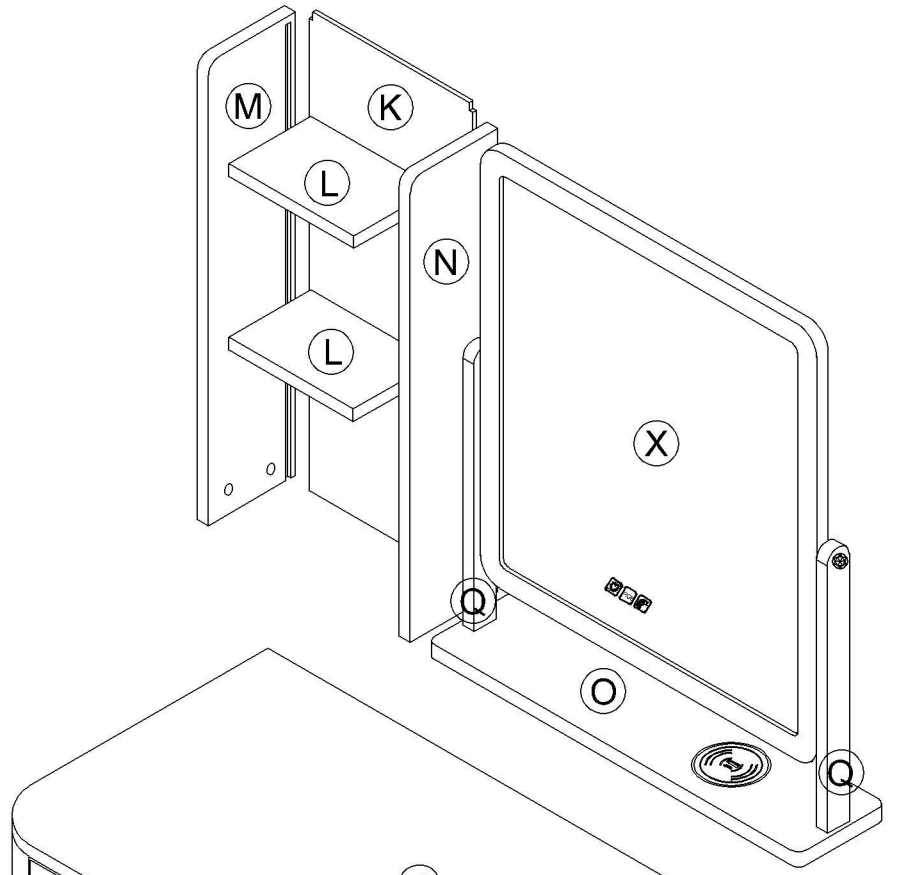
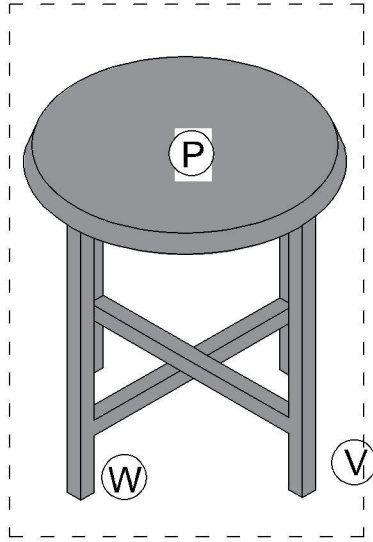


Step 23

18		1 Pcs
		1 Pcs
		x 2



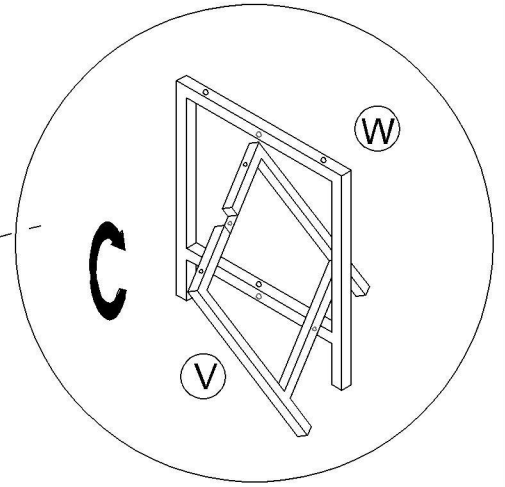
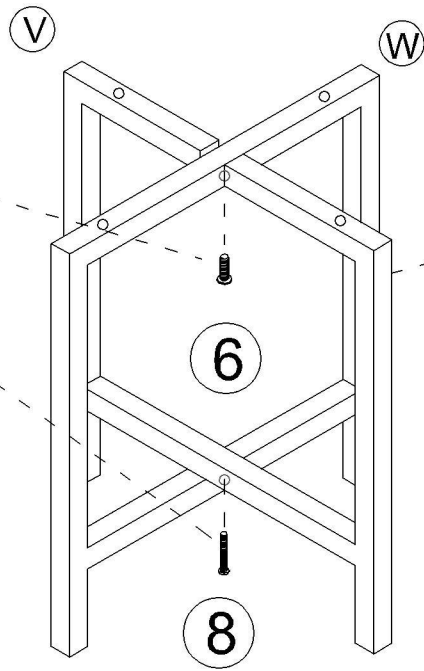
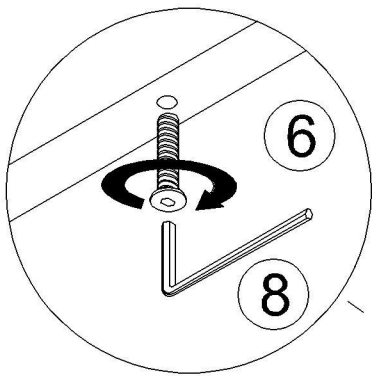
Place the accessories in the slot. Next, install the screws on both sides of the frame



Step 24

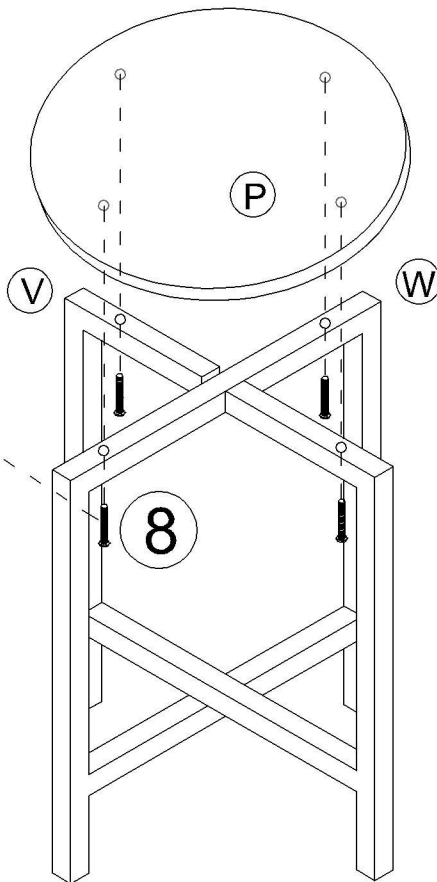
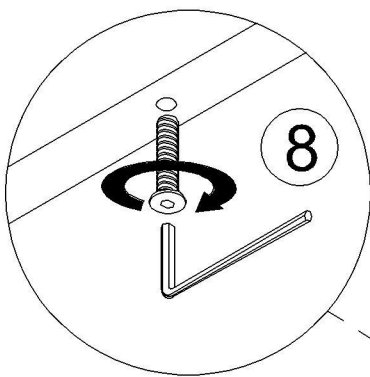
8 x 1

6 x 1



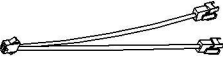


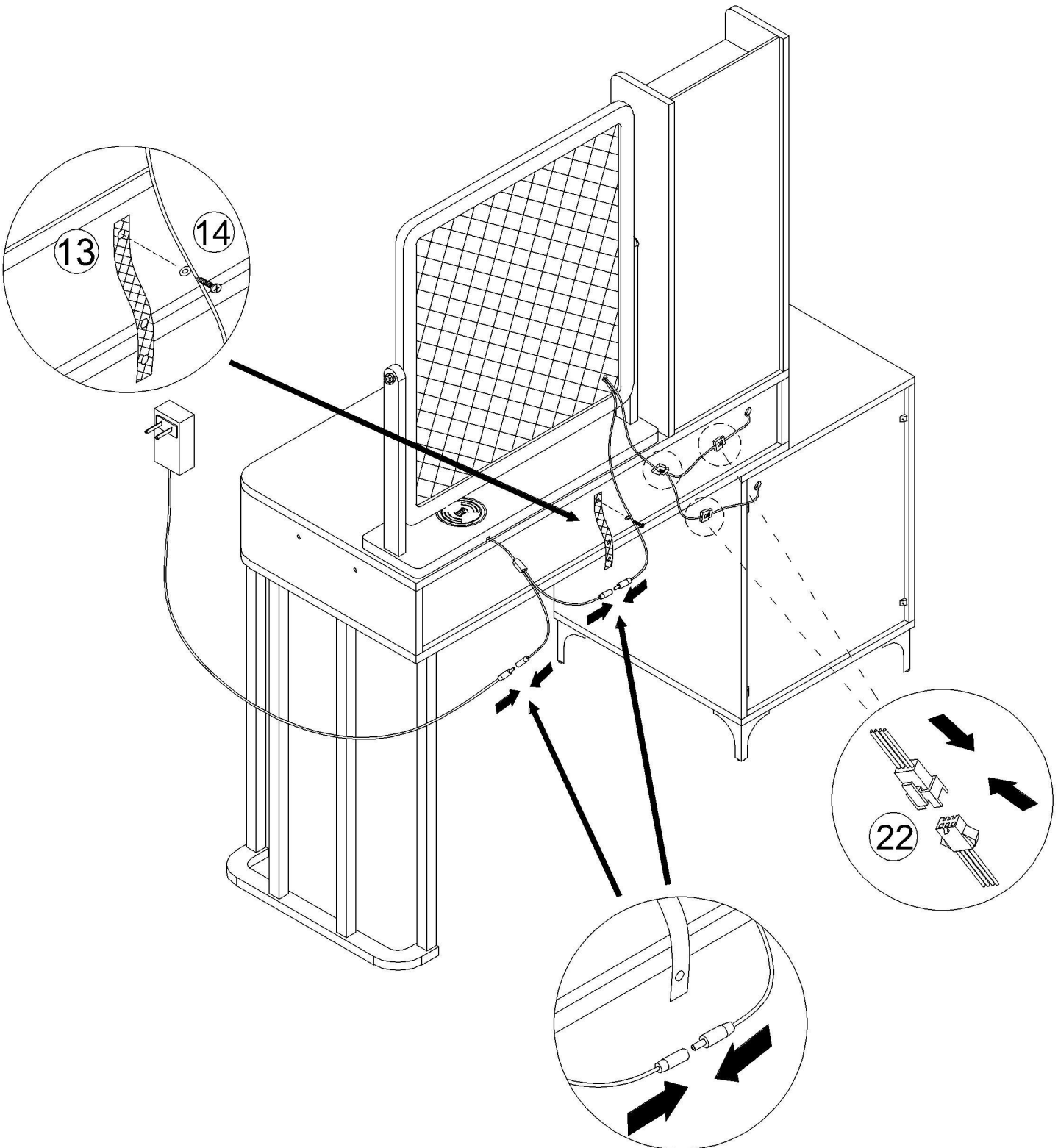
Ste 25

8 x 4


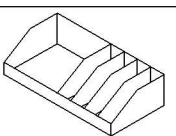
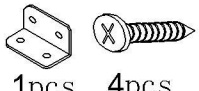


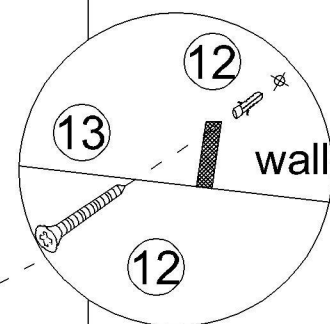
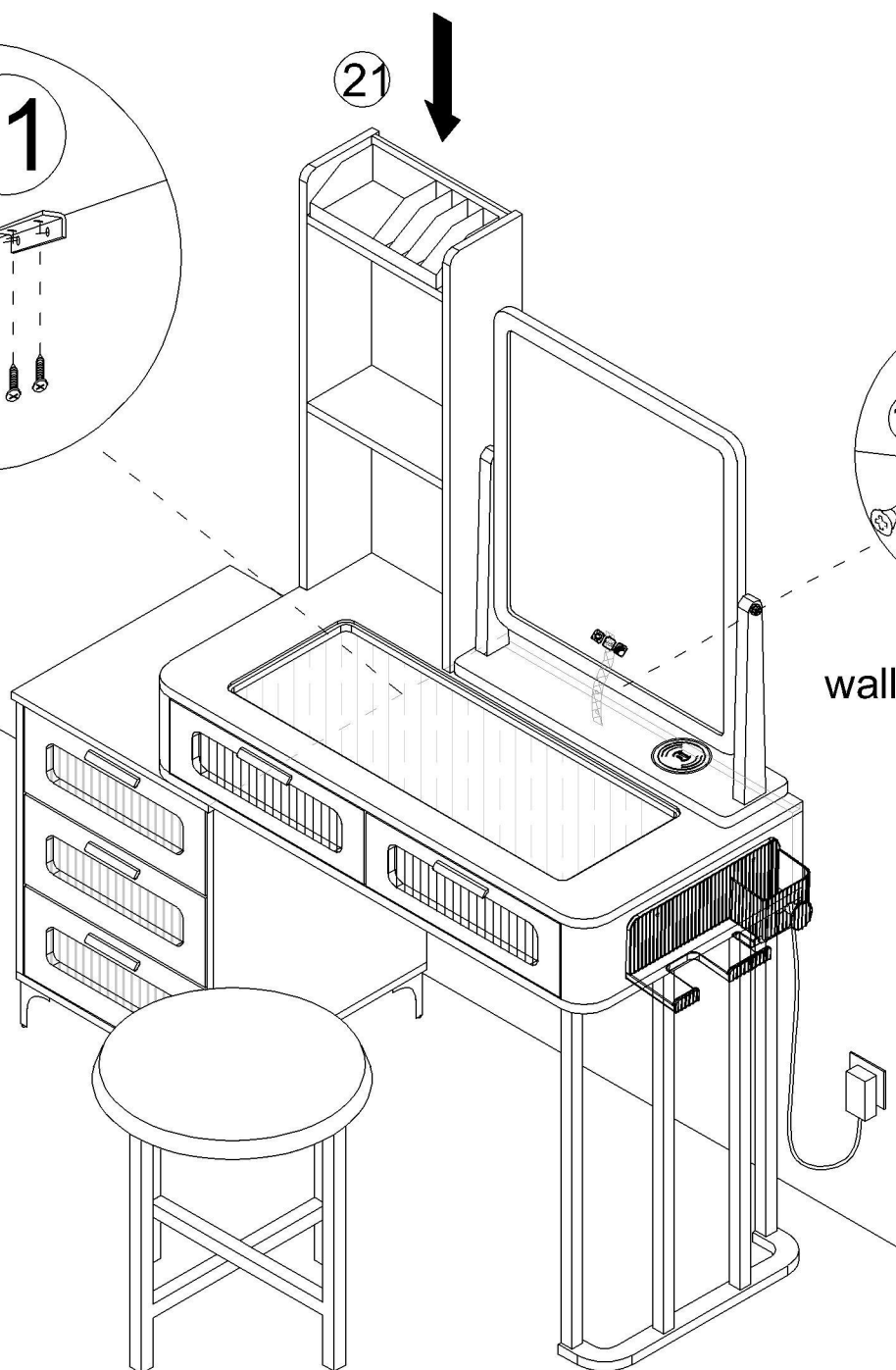
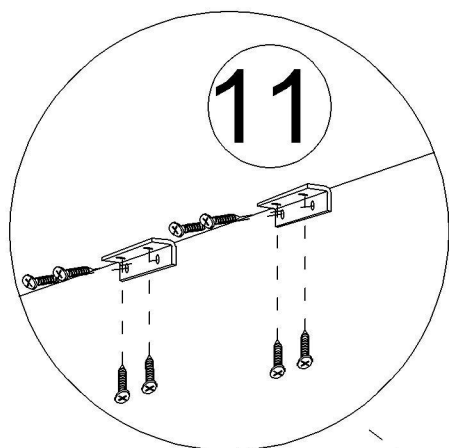
Step 26

13		x 1
14		x 1
22		x 1



Step 27

12		x 1
21		x 1
11		2 Pcs 1pcs 4pcs



Left side installation method

Step 28

11



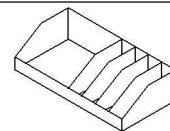
1pcs



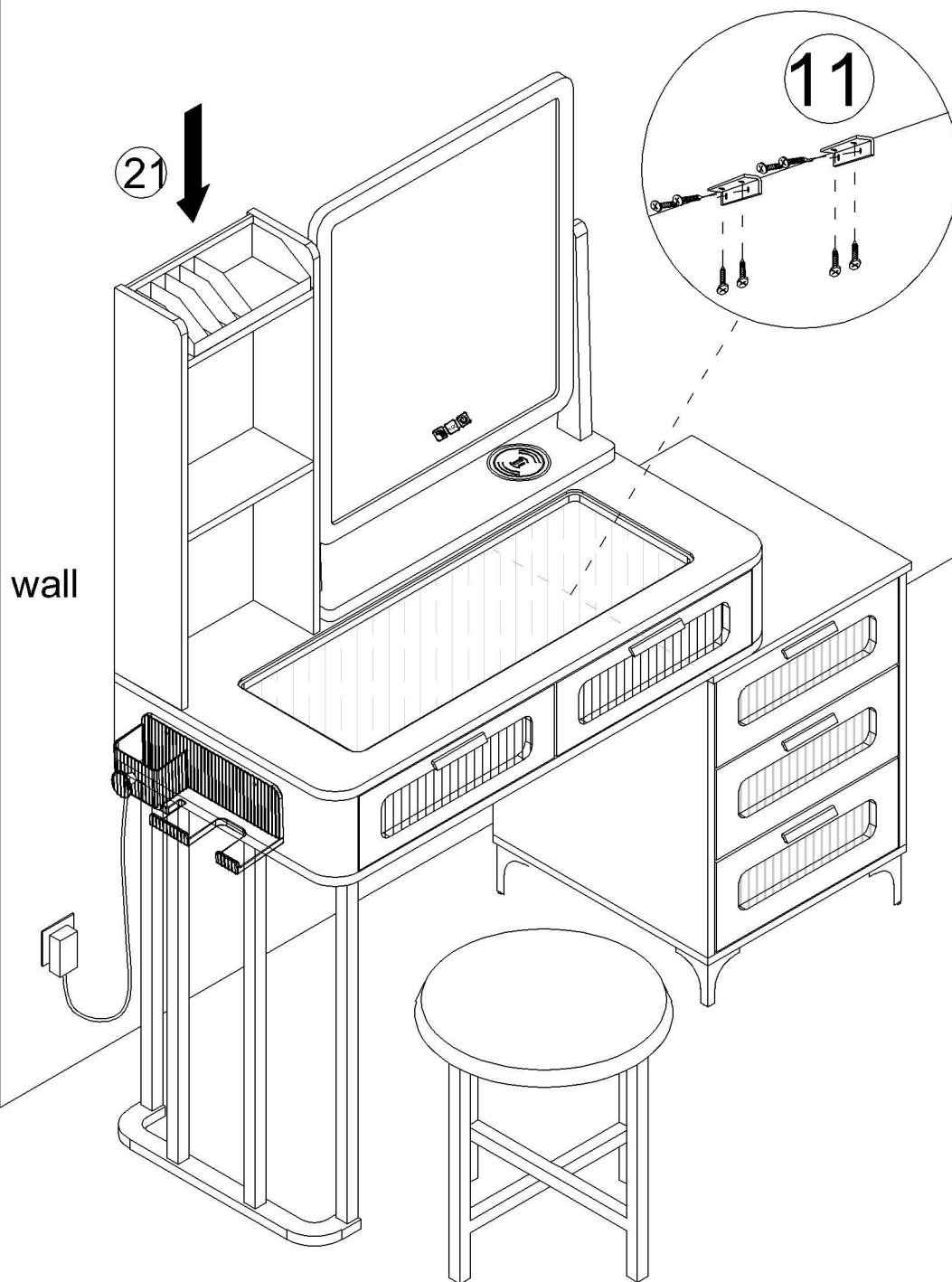
4pcs

2 Pcs

21



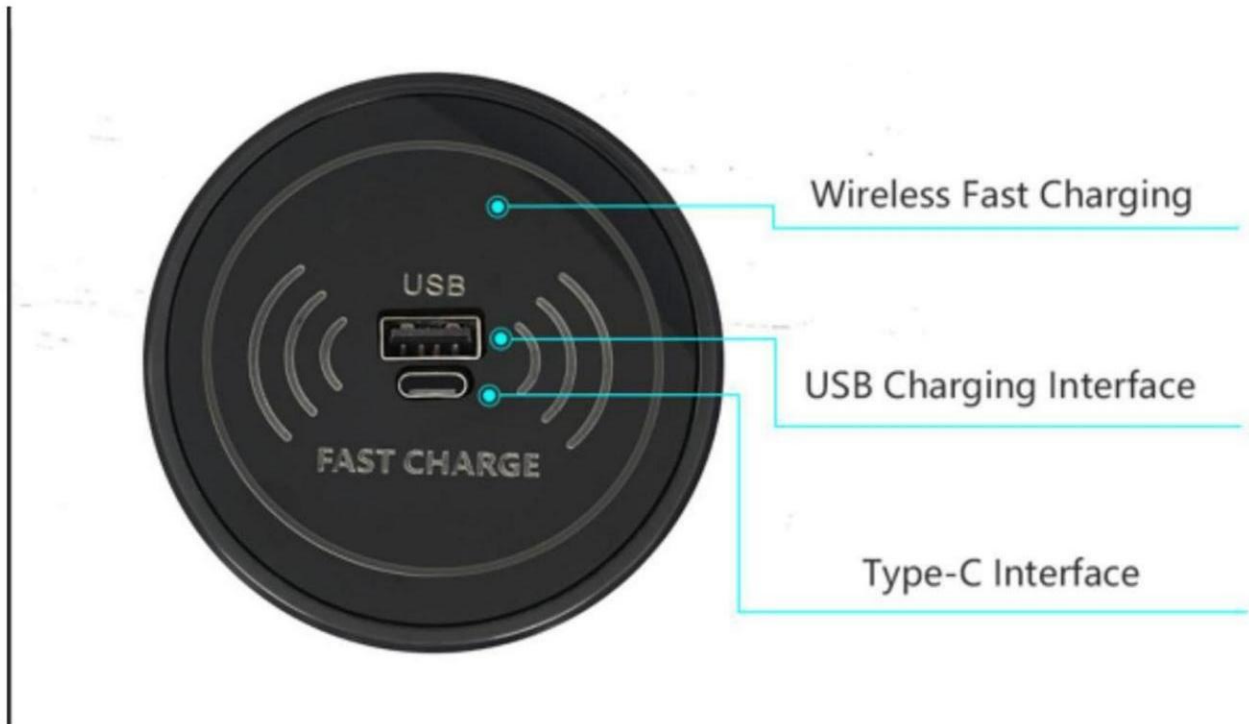
x 1



Right side installation method

15W CHARGING STATION

parameters and instructions:



Product model: 15W wireless charger

Wireless charging output: 15W/10W/7.5W/5W charging efficiency;

Wired charging output: 10W charging efficiency

Wireless charging standard: Compatible with **WPCv1.2.4** standard;

Wireless charging receiver: Support wireless-charging mobile phone and **Qi** standard receiver
Support 5W, Apple 7.5W, Samsung 10W charging

Input voltage and current: DC9-12V/2-3A

Wired USB /TYPE-C charging Power: 5V 2A, 10W

IF USB and TYPE-C charging at the same time, the charging power is 5V 1A

Working frequency: 100kHz-205kHz

Charging distance: When using wireless charging, it needs to be placed on the front of the charger. It is recommended to contact the charger at zero distance.

Safety protection: Built-in smart chip and software that effectively prevent from over-current, short-circuit, over-temperature etc.

NOTE:

1. This charging station should be kept away from high temperature ($>45^{\circ}\text{C}$) and low temperature ($<-20^{\circ}\text{C}$) environment and children.
2. Please use a soft, dry cloth to clean the surface. Chemicals, soaps or detergents are forbidden.

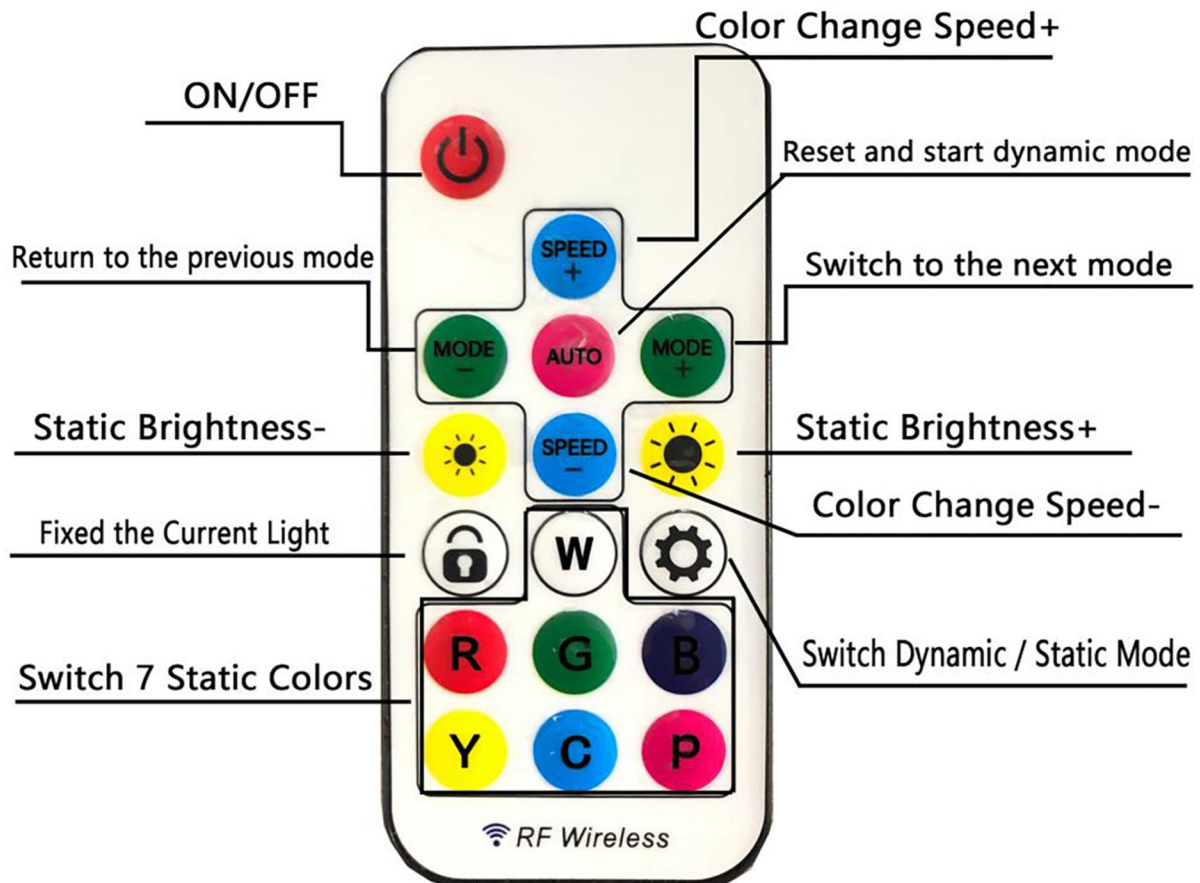
Touch button description



1. ON/OFF

2. Static Light Mode
(Long press to adjust brightness)

3. Dynamic Mode
(Long press to adjust speed)



LED Lights Controller-use instructions

Remote Battery: CR205 3V

How to use the controller?

1. After inserting the DC power adapter, you can use the remote control to control the lamp. Press the "on/Off" button to turn on the light and enter the static light mode.

Long press the "on/Off" button to turn off the light.

2. There are 7 RGB Dynamic Modes. You can press the "MODE+/-" key to choose dynamic colors that you preferred and press the "Speed+/-" key to adjust color change speed.

3. There are 7 static colors: White / Red / Green/ Blue / yellow / ice blue/ pink light. You can press the "Brightness +/-" key to adjust the brightness.

4. You can press the "lock" key to fix the color you like. When you press the "Switch Dynamic /Static Mode" key, the light will change between dynamic mode and static mode.