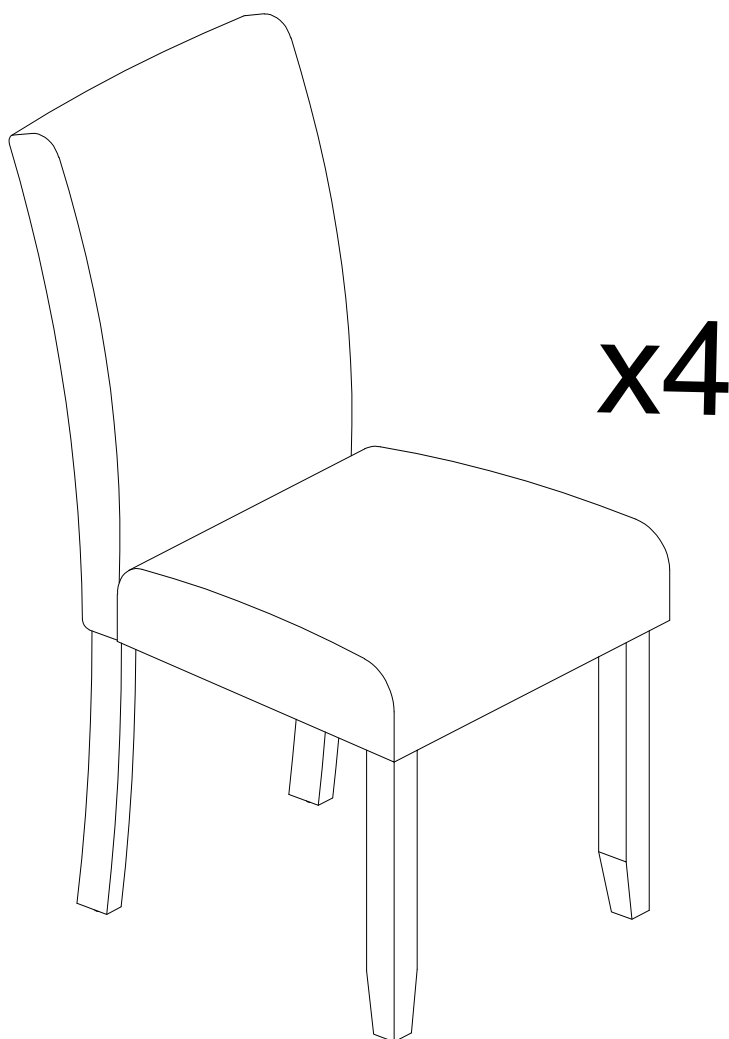
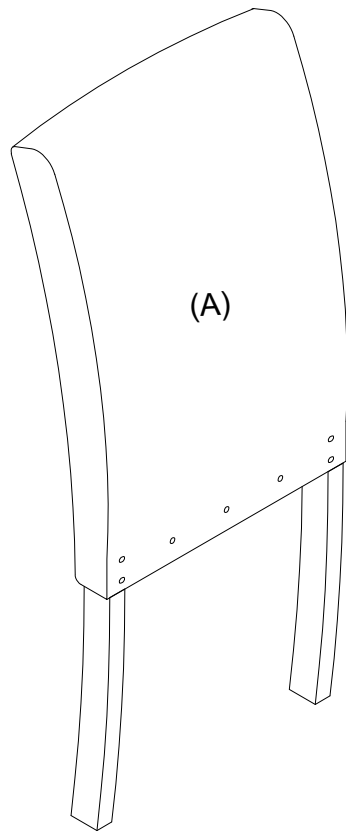


ASSEMBLY INSTRUCTION (Instructions de montage)

N752P180687

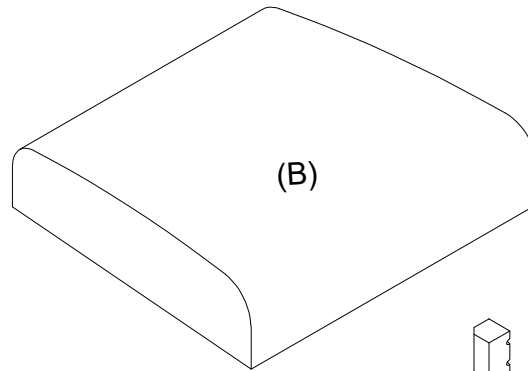


NOTE: 50% TIGHTEN BEFORE FIXING ALL BOLTS
(REMARQUE : SERRER À 50 % AVANT DE FIXER TOUS LES BOULONS)

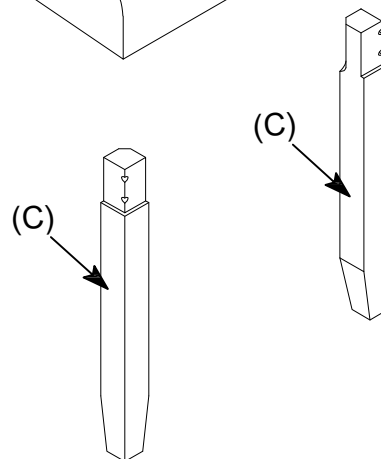


(A)

x4



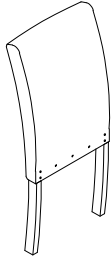
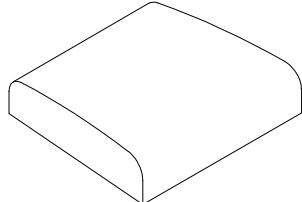

(B)




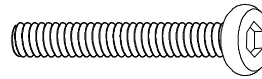
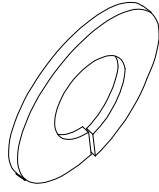
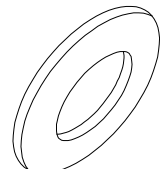
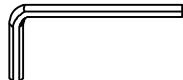
Notice:

1. 50% Tighten before fixing all screws, Allen wrench is recommended instead of an electric drill.
2. Place the item on a flat ground to adjust and make sure it remains stable.
3. Tighten up all screws with tools gradually.
4. If the screws are not aligned with holes during assembly, please loosen all the other screws to 50% and continue the assembly process.
5. If the item is not stable, please loosen all the screws, adjust it on a flat ground and tighten up all screws again.
6. Note : If one or some screws are fully tightened during assembly, chances are the others will not be aligned with holes. In addition, all the holes are designed to be relatively larger to provide more space for the adjustment of the screws.

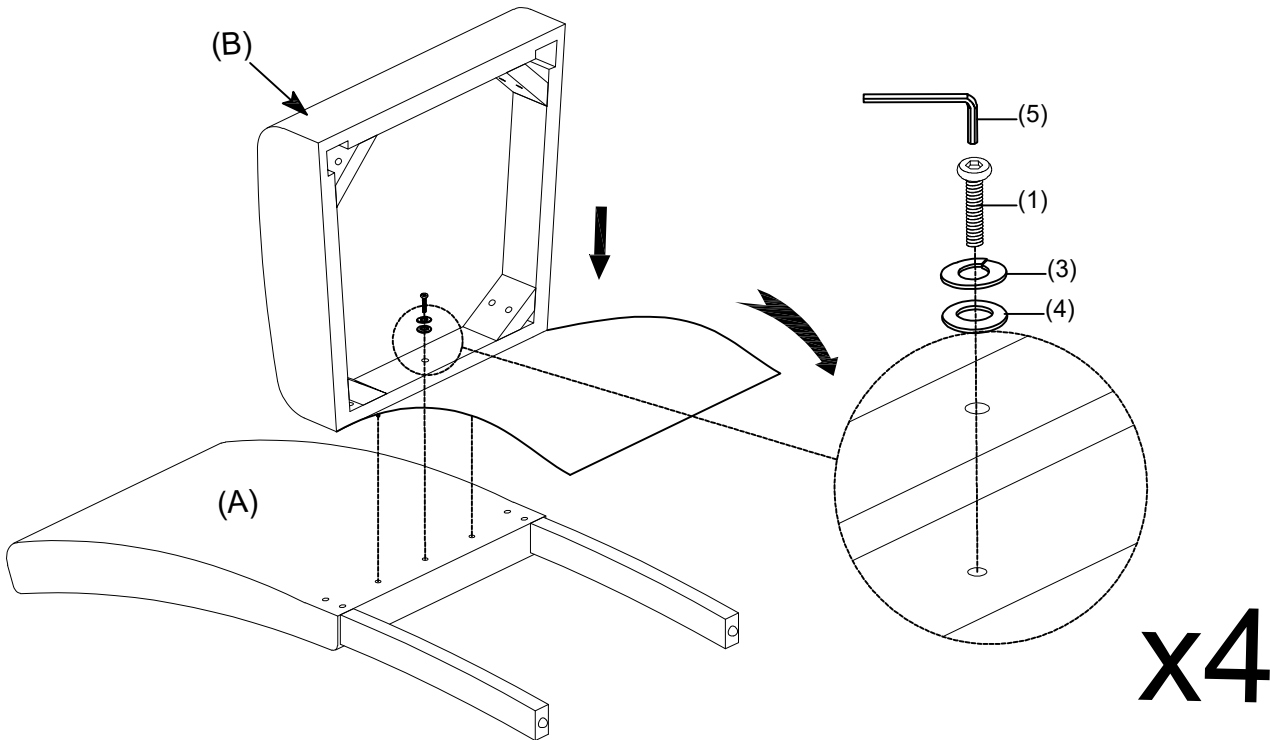
PART LIST (LISTE DES PIÈCES)





<div style="border: 1px solid black; padding: 2px; width: 30px; margin: 0 auto;">A</div>  <p style="text-align: center;">Chair Back (4PCS) (Dossier de chaise)</p>	<div style="border: 1px solid black; padding: 2px; width: 30px; margin: 0 auto;">B</div>  <p style="text-align: center;">Chair Seat (4PCS) (Siège de chaise)</p>	<div style="border: 1px solid black; padding: 2px; width: 30px; margin: 0 auto;">C</div>  <p style="text-align: center;">Front Leg (8PCS) (Patte de devant)</p>
---	---	--

HARDWARE LIST (LISTE DU MATÉRIEL)

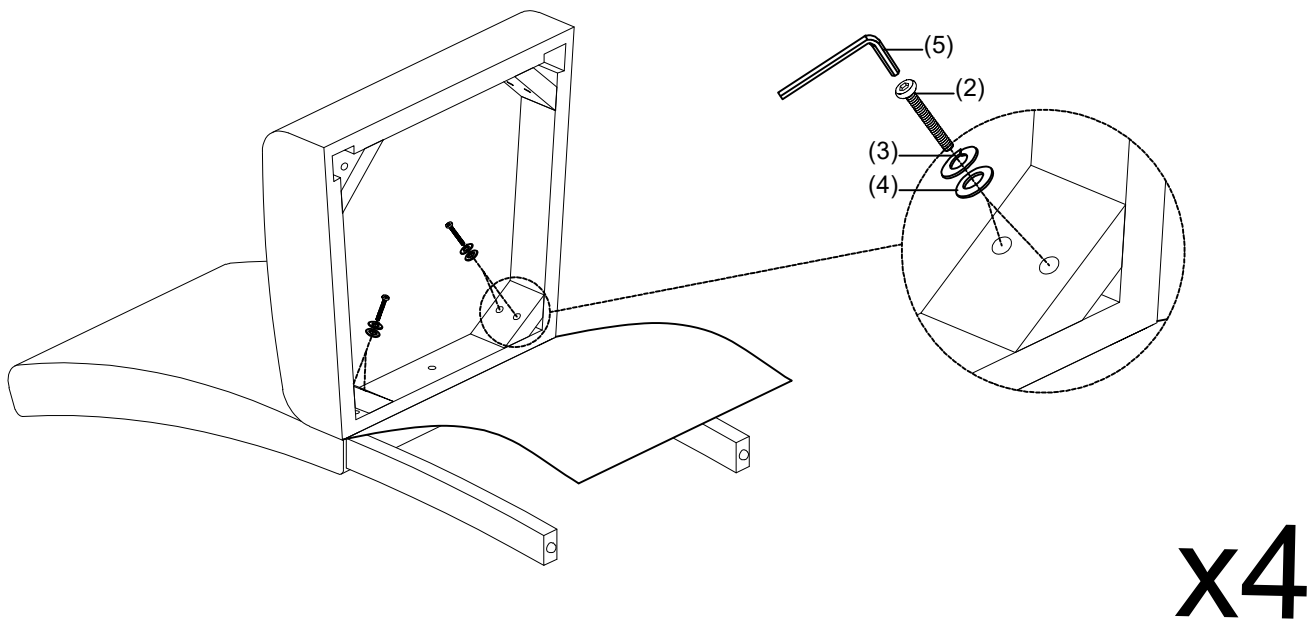
<div style="border: 1px solid black; padding: 2px; width: 30px; margin: 0 auto;">1</div>  <p style="text-align: center;">Bolt 5/16" x 50mm (20PCS) (Boulon)</p>	<div style="border: 1px solid black; padding: 2px; width: 30px; margin: 0 auto;">2</div>  <p style="text-align: center;">Bolt 5/16" x 80mm (16PCS) (Boulon)</p>	<div style="border: 1px solid black; padding: 2px; width: 30px; margin: 0 auto;">3</div>  <p style="text-align: center;">Spring Washer (36PCS) (Rondelle élastique)</p>
<div style="border: 1px solid black; padding: 2px; width: 30px; margin: 0 auto;">4</div>  <p style="text-align: center;">Flat Washer (36PCS) (Rondelle plate)</p>	<div style="border: 1px solid black; padding: 2px; width: 30px; margin: 0 auto;">5</div>  <p style="text-align: center;">Allen Key 5mm (1PC) (Clé Allen)</p>	





STEP 1



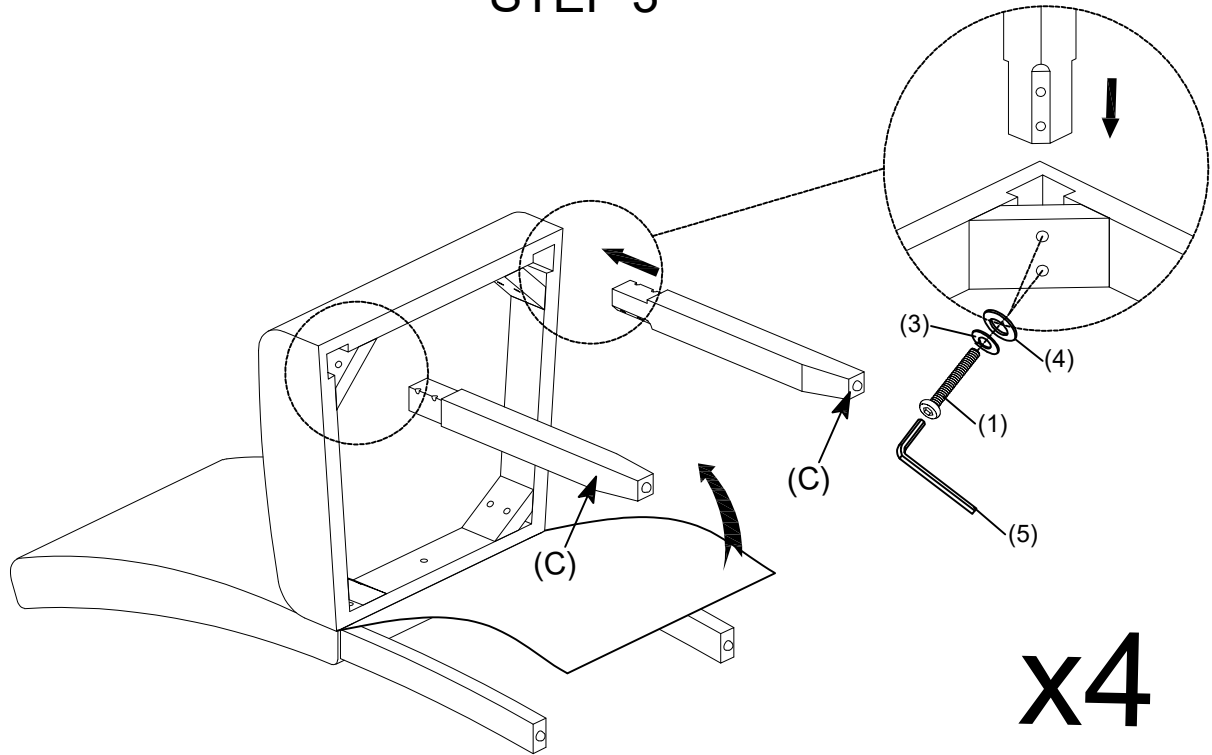
1		Bolt 5/16" x 50mm (Boulon)	4 pcs	4		Flat Washer (Rondelle plate)	4 pcs
3		Spring Washer (Rondelle élastique)	4 pcs	5		Allen Key 5mm (Clé Allen)	1 pc





STEP 2



2		Bolt 5/16" x 80mm (Boulon)	16 pcs	4		Flat Washer (Rondelle plate)	16 pcs
3		Spring Washer (Rondelle élastique)	16 pcs	5		Allen Key 5mm (Clé Allen)	1 pc

STEP 3



1		Bolt 5/16" x 50mm (Boulon)	16 pcs	4		Flat Washer (Rondelle plate)	16 pcs
3		Spring Washer (Rondelle élastique)	16 pcs	5		Allen Key 5mm (Clé Allen)	1 pc

STEP 4

