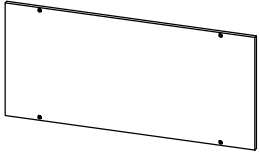
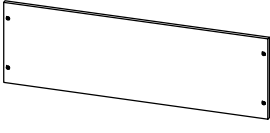
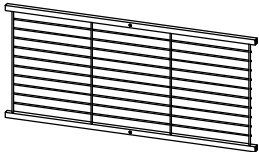
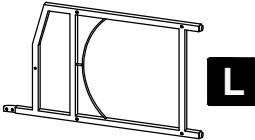
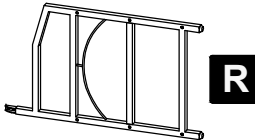





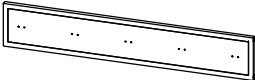
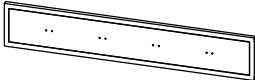


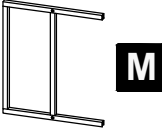
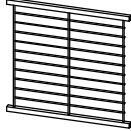





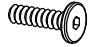



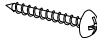

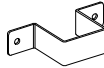

ASSEMBLY INSTRUCTION

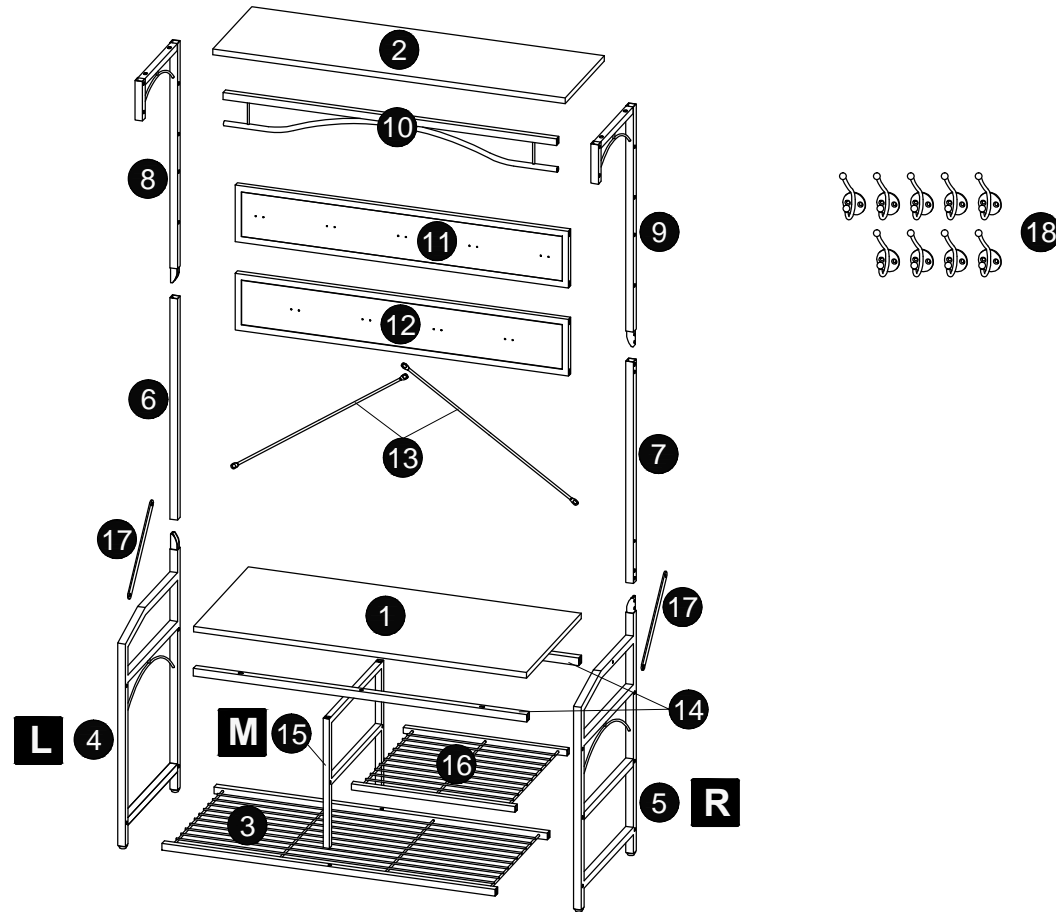
1. Extra Screws of A/B/C/D/E/F are provided in case of any screws missing in the boxes.
2. Please take the time to identify and count all parts as well as the hardware to this product.

PART LIST

 34.21"×15.75"×0.59"	 36.22"×11.22"×0.59"		 L	 R	
1 ×1PC	2 ×1PC	3 ×1PC	4 ×1PC	5 ×1PC	6 ×1PC
					
7 ×1PC	8 ×1PC	9 ×1PC	10 ×1PC	11 ×1PC	12 ×1PC
		 M			
13 ×2PCS	14 ×2PCS	15 ×1PC	16 ×1PC	17 ×2PCS	18 ×9PCS

HARDWARE

								
M6×12mm	M6×30mm	M6×40mm	M6×40mm	4.0×12mm	4.0×35mm	Ø6×30mm	ANTI-TIP KIT	4mm
A×15PCS	B×8PCS	C×26PCS	D×2PCS	E×18PCS	F×4PCS	G×4PCS	H×2PCS	I×1PC



FRONT

NOTED:

1. It is recommended that this item should be assembled by two adults.
2. Assemble this item on a soft surface, such as cardboard or carpet, to protect finish.

For product assistance and warranty information,

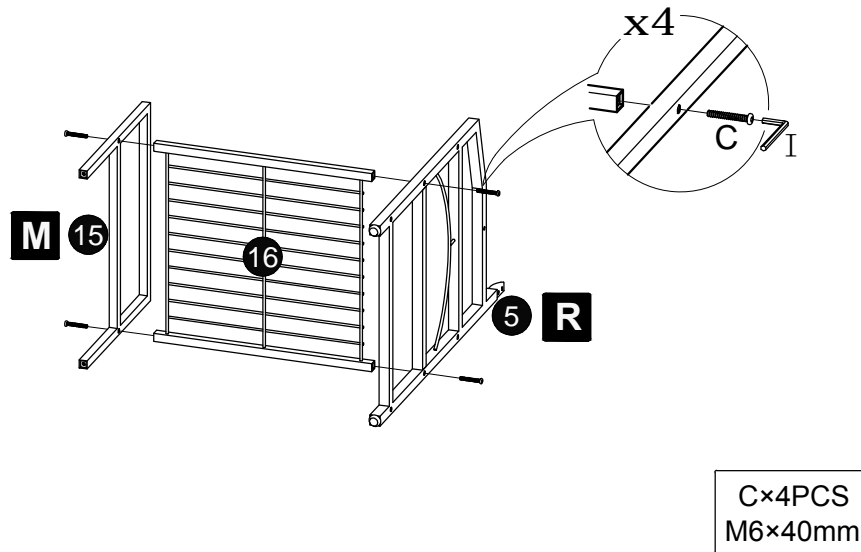
Please provide us with following information, so that it will be easier to resolve your problem smoothly.

- 1、 Order ID:
- 2、 Pictures of Your Items Damage or Parts Missing:

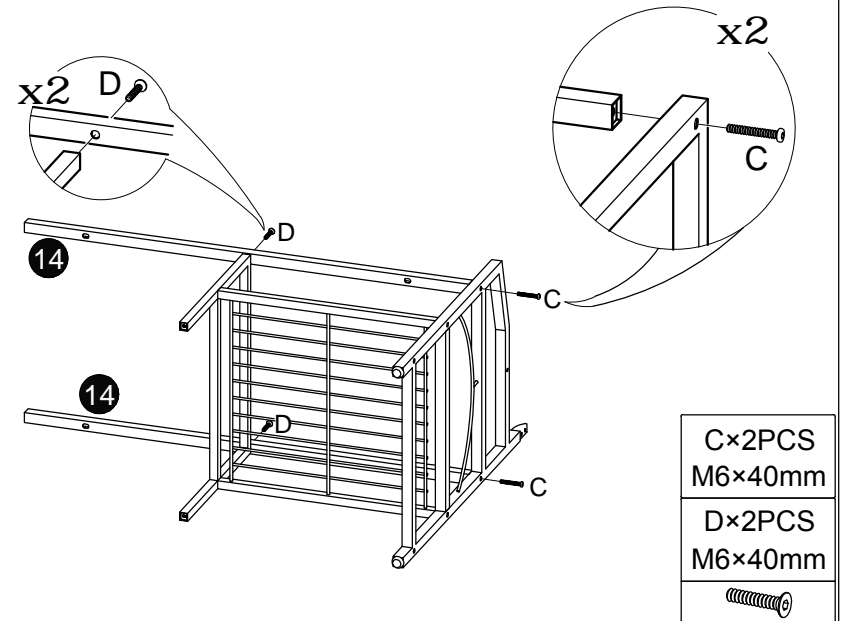
THANK YOU FOR PURCHASING OUR FURNITURE, IT IS AN HONOR TO BE IN YOUR HOME!

NOTED: Please do not tighten all bolts until the products is assembled completely.

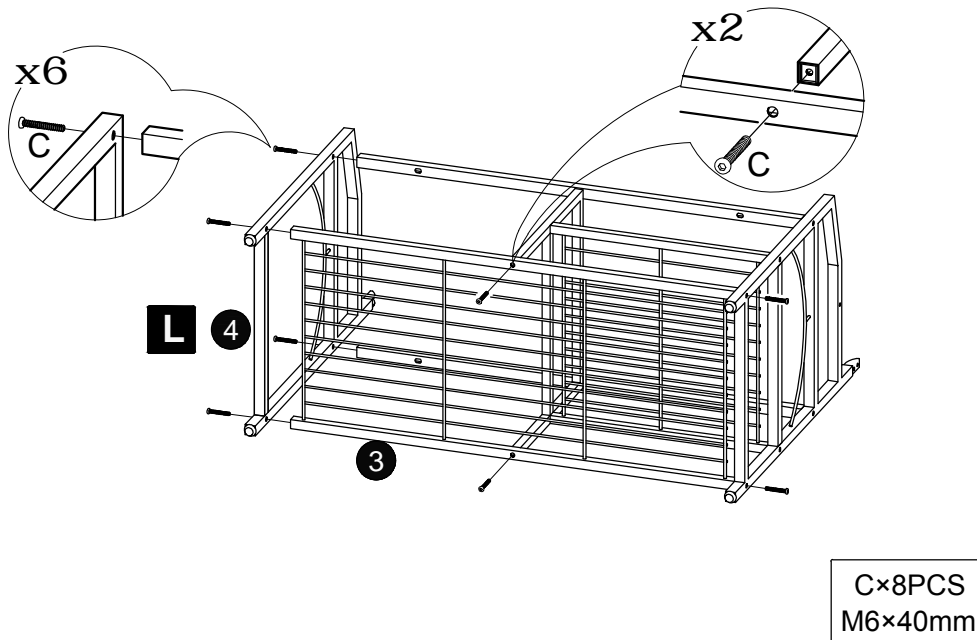
Step 1:



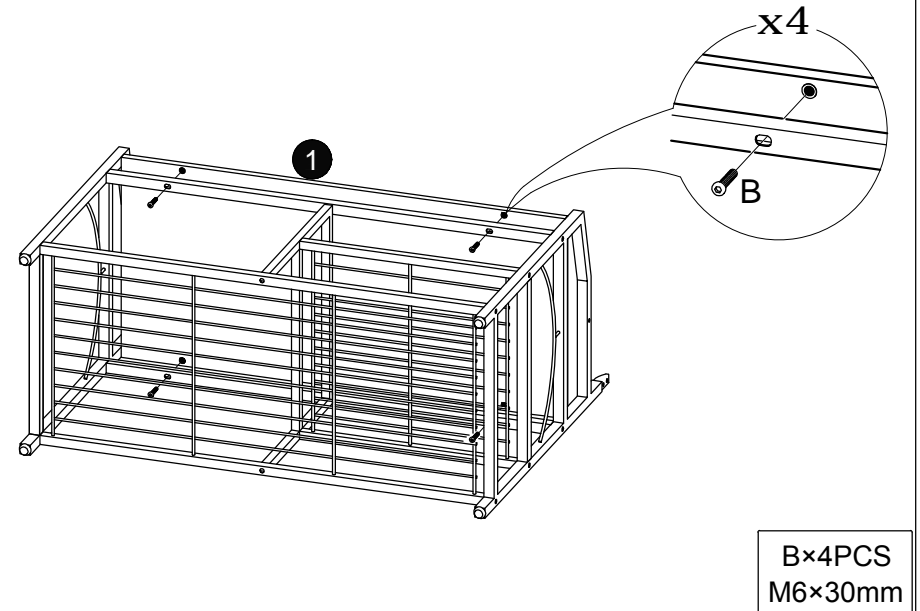
Step 2:



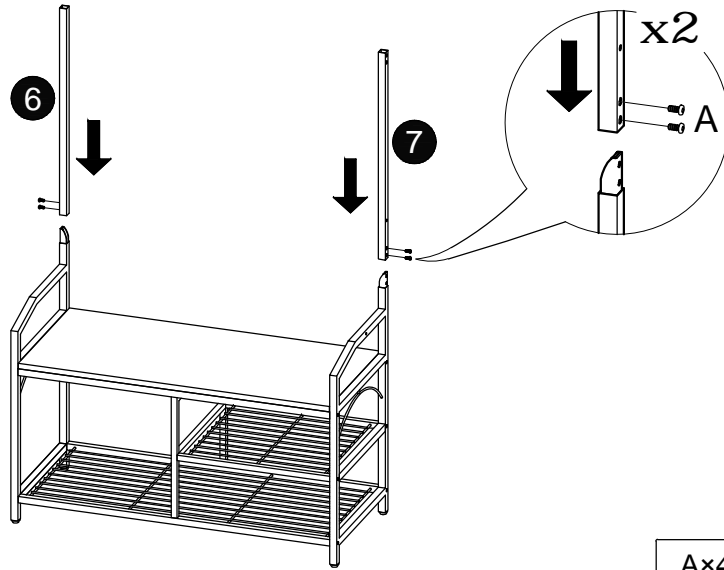
Step 3:



Step 4:

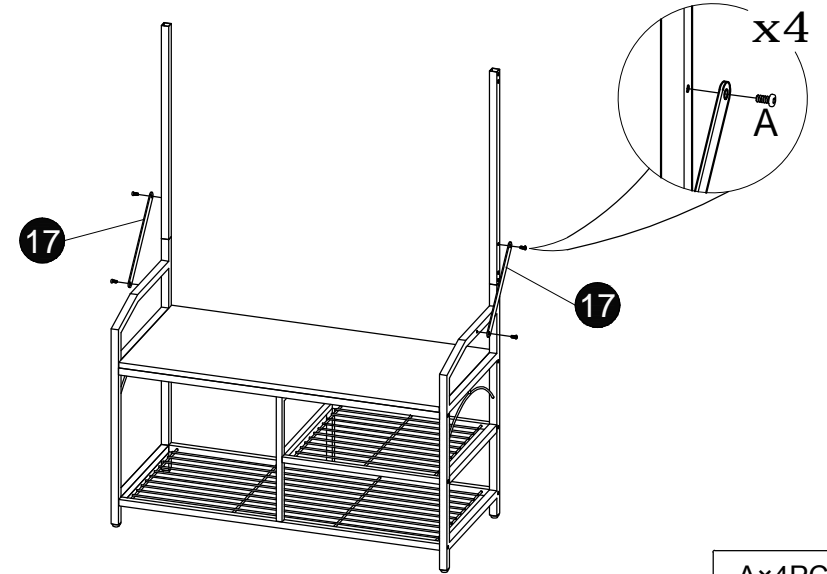


Step 5:



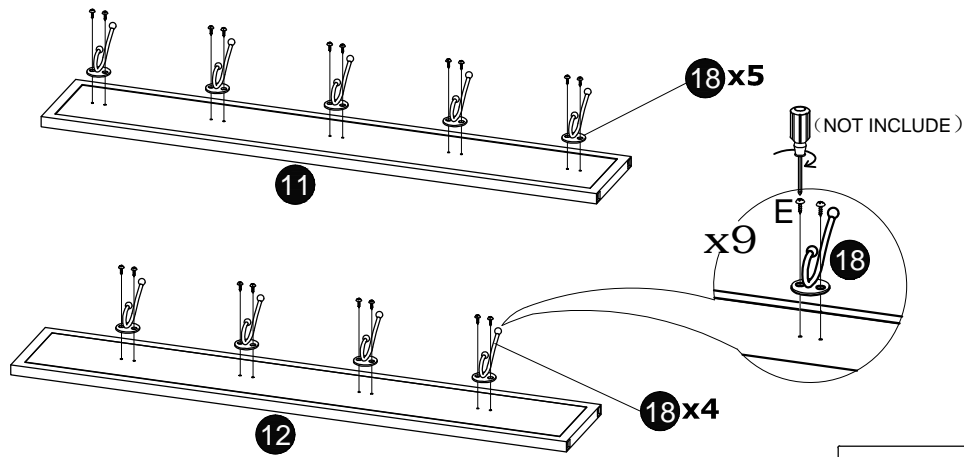
A×4PCS
M6×12mm

Step 6:



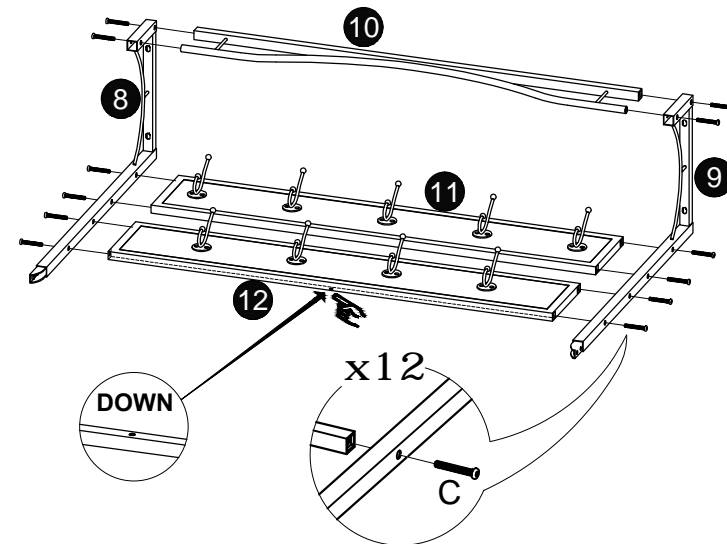
A×4PCS
M6×12mm

Step 7:



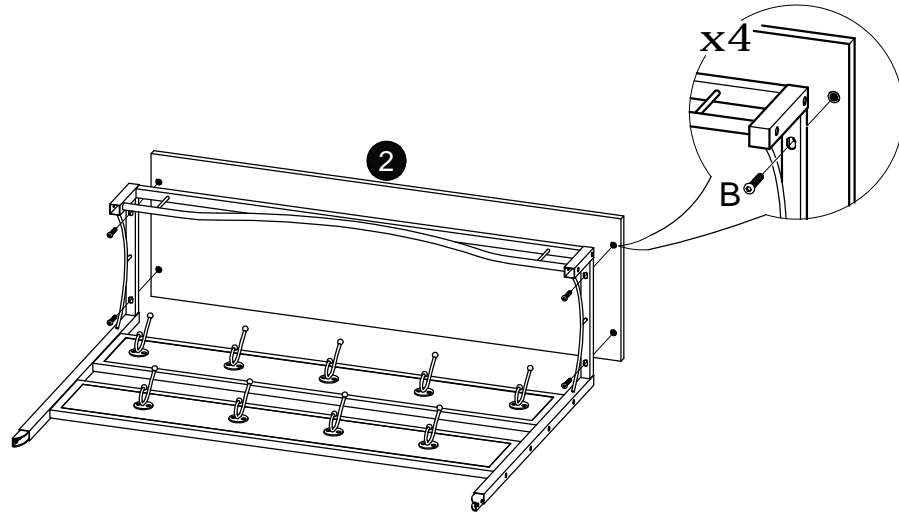
E×18PCS
4.0×12mm

Step 8:



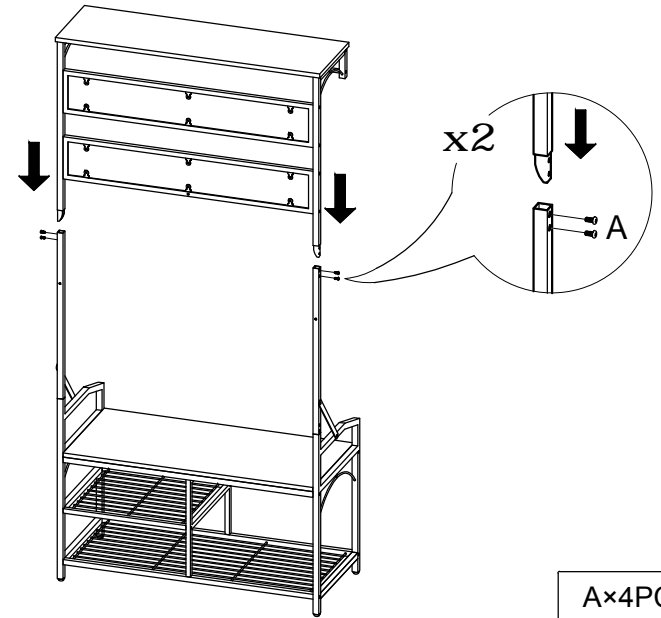
C×12PCS
M6×40mm

Step 9:



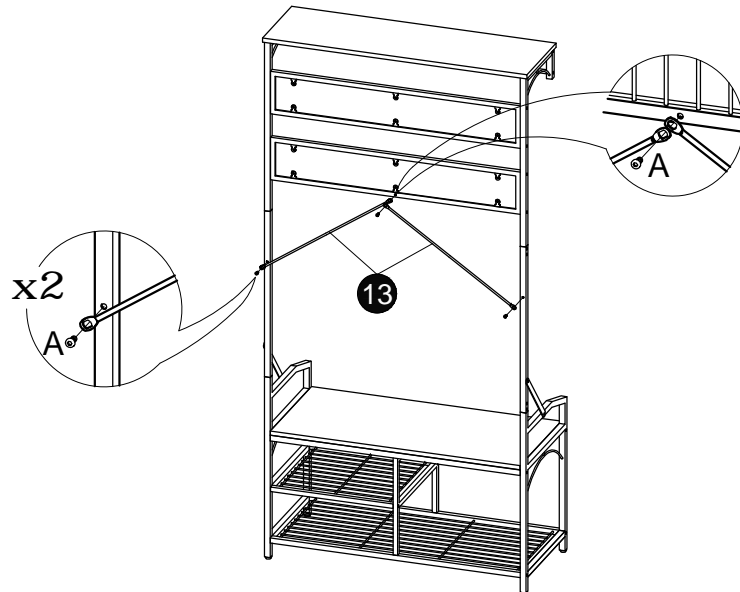
B×4PCS
M6×30mm

Step 10:



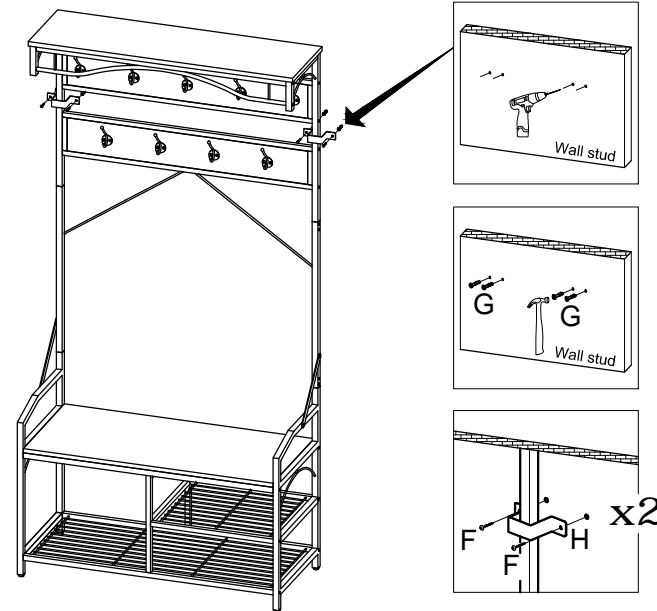
A×4PCS
M6×12mm

Step 11:



A×3PCS
M6×12mm

Step 12:



F×4PCS
G×4PCS
H×2PCS