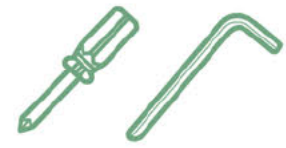


TOOLS:



UNIT:MM

1
x2

2
x2

3
x2

4
x2

5
x2

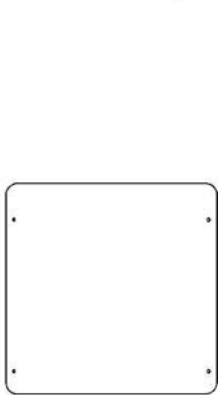
6
x2

A
x12

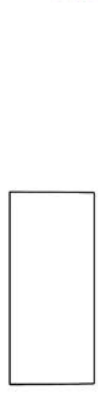
B
x8

C
x8

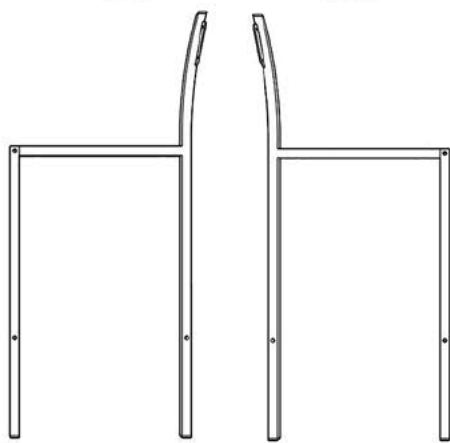
D



390x390x15

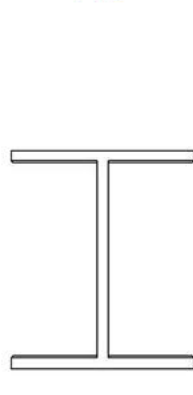


340x150x15



955x420x20

955x420x20



405x340x20



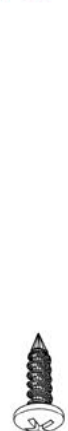
340x20x20



M6x40



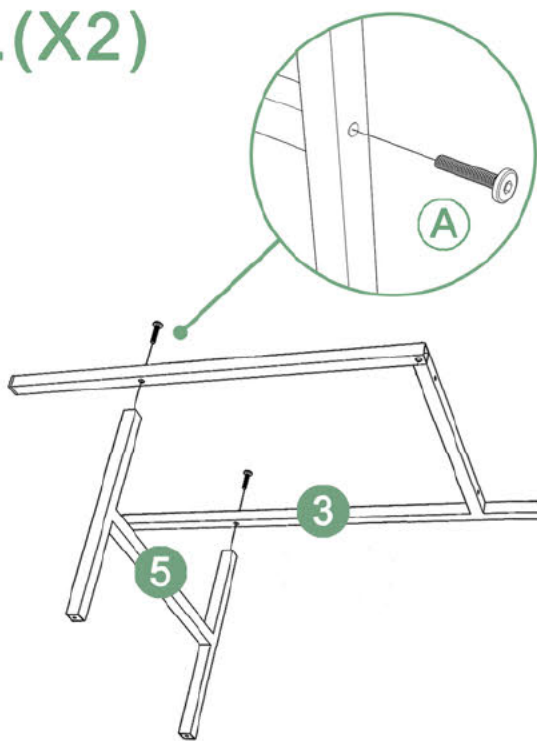
M4x30



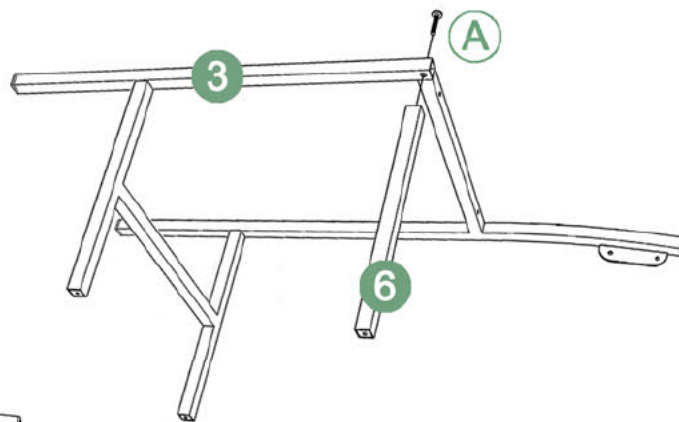
M4x12



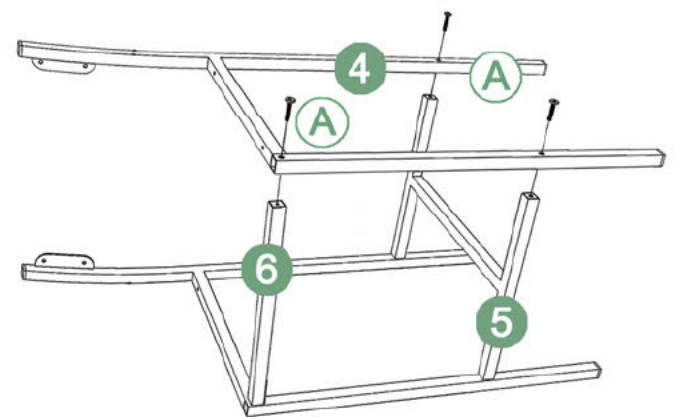
1.(X2)



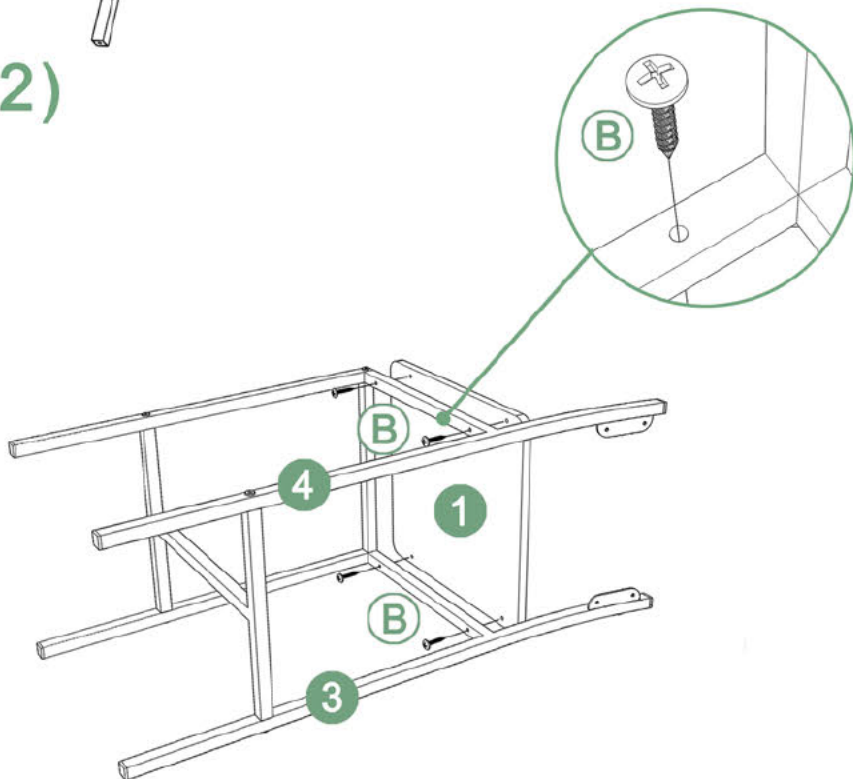
2.(X2)



3.(X2)



4.(X2)



5.(X2)

