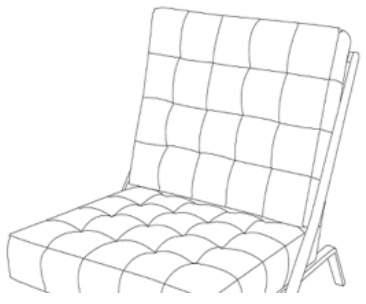
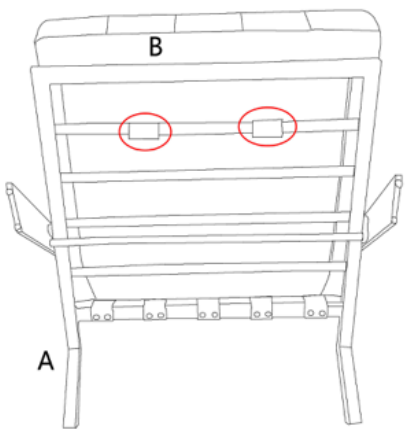
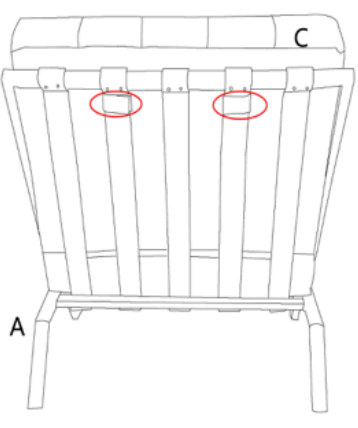
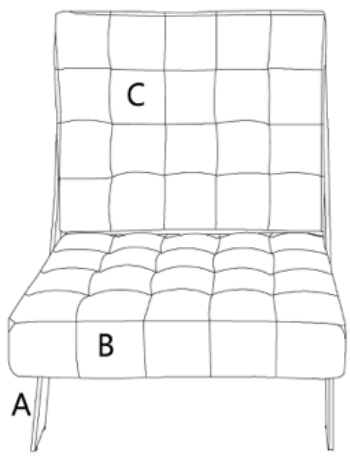
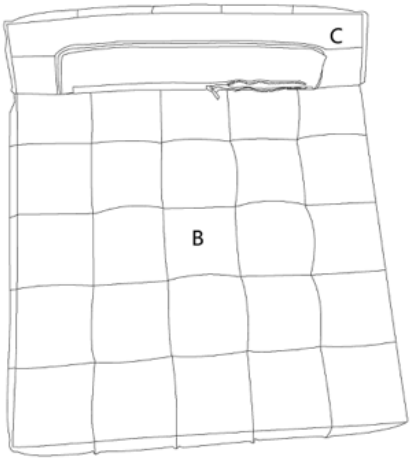
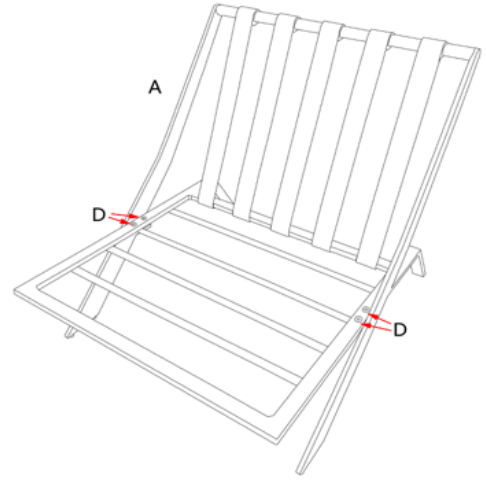
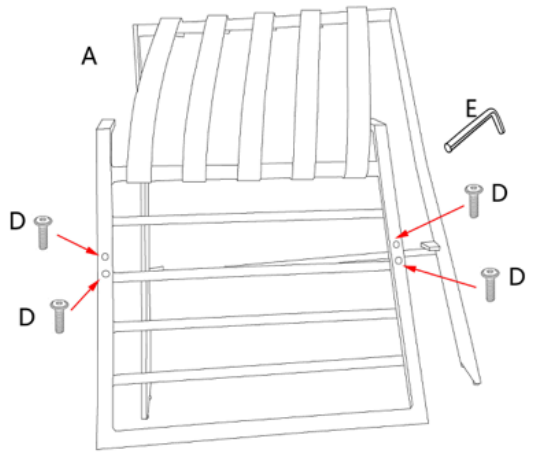


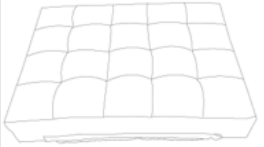




Item No | AC-8027-2

Assembly Instruction



	PARTS	Qty
A		1
B		1
C		1
D	 8*25	4
E	 5MM	1