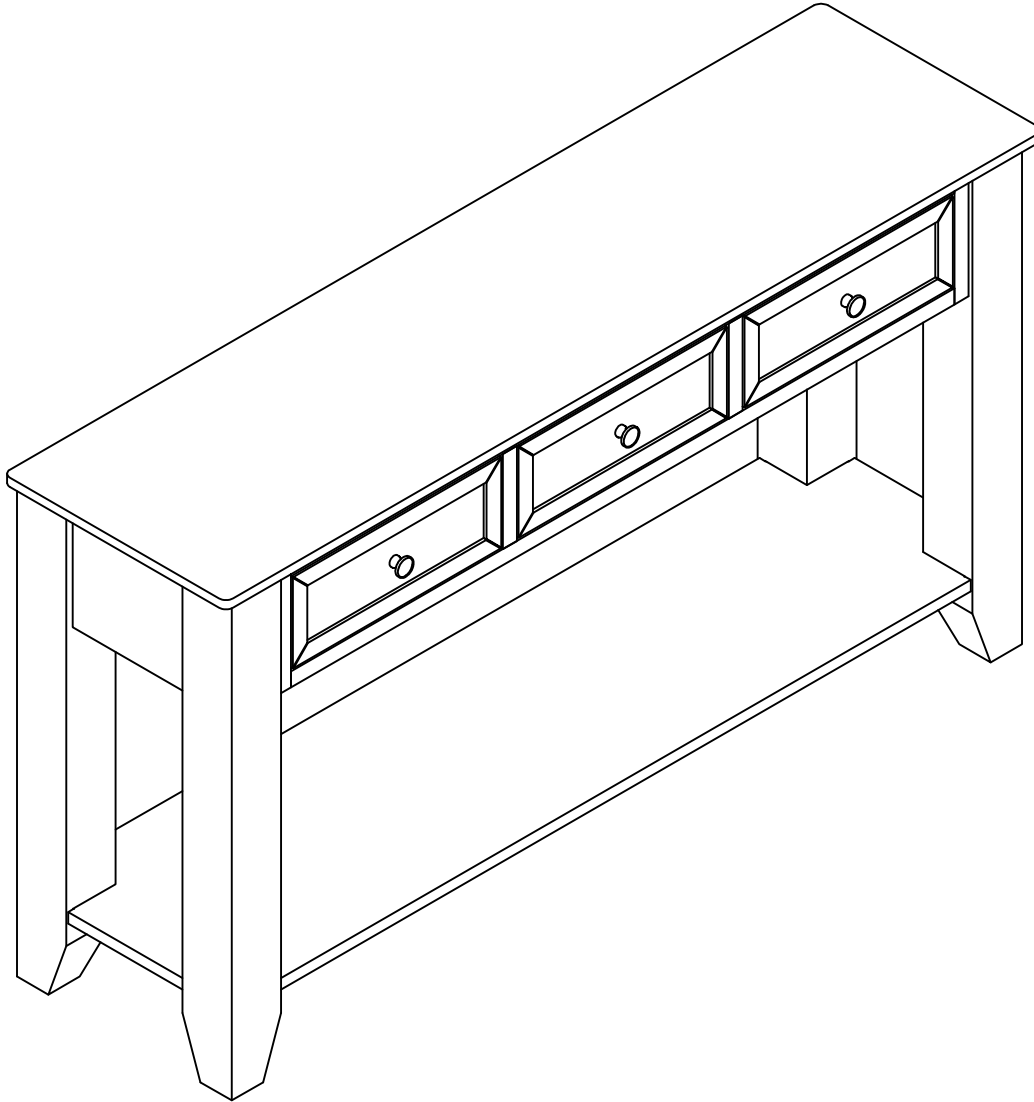


ASSEMBLY INSTRUCTION

CABINET

N711P272499

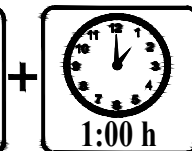
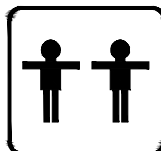
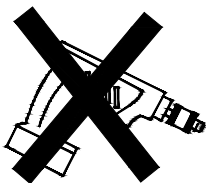


Thank you for purchasing this quality product. Be sure to check all pack material carefully for small parts which may have come loose inside the carton during shipment. Separate, identify and count all parts and hardware.

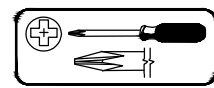
Compare with the parts list to be sure all parts are present.

"DO NOT TIGHTEN SCREWS UNTIL COMPLETELY ASSEMBLED"

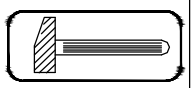
▲
*Use of power tool to assemble this product will invalidate any claim and damage this product making unsafe !!!
*Please assemble on a clean soft sunface to avoid damage.



Tools Required



(Not included)



(Not included)

IMPORTANT:

PLEASE READ INSTRUCTION BEFORE STARTING THE ASSEMBLY

Thank you for buying our products.

Please read the installation manual carefully before installation,

we need you to follow the instructions on the accessories and hardware

step by step assembly complete, our instructions are very detailed.

Products are environmentally friendly products,

Please rest assured that you do not soak in water, do not place very heavy items,

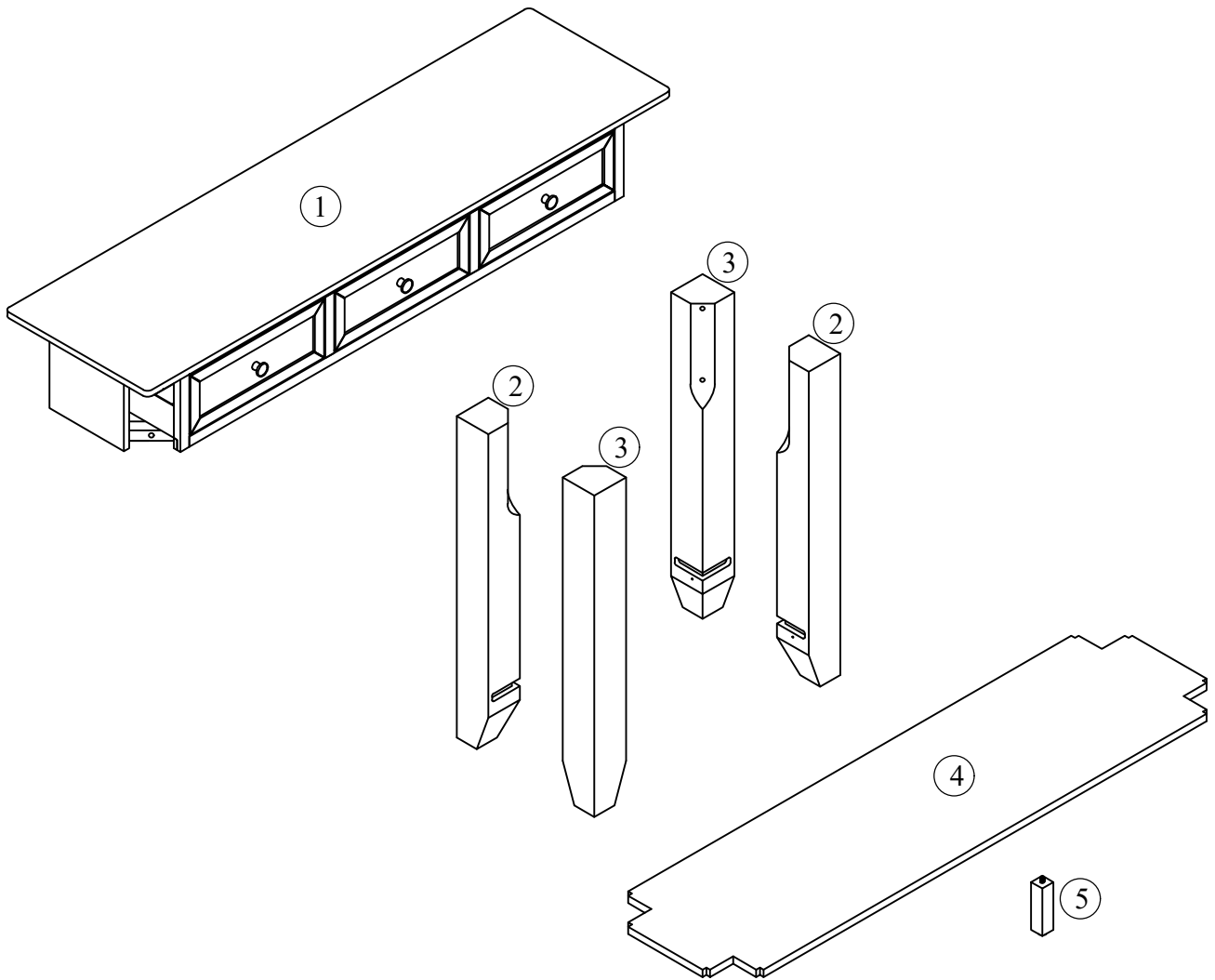
do not malicious push and pull,

if you have any problems in the process of assembly and use, please contact us.

Thank you again for your purchase of our products,

I wish you a happy life.

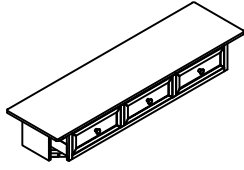
Detail View - CABINET



Identifying the Hardware -Identify the hardware using the illustrations below.

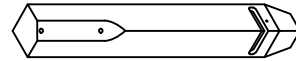
Part List

1



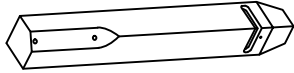
Top Frame- 1pc

2



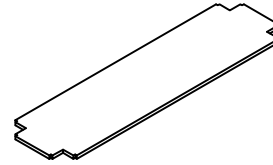
Cabinet Feet(L) - 2pcs

3



Cabinet Feet(R) - 2pcs

4







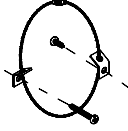


Shelf - 1pc

5






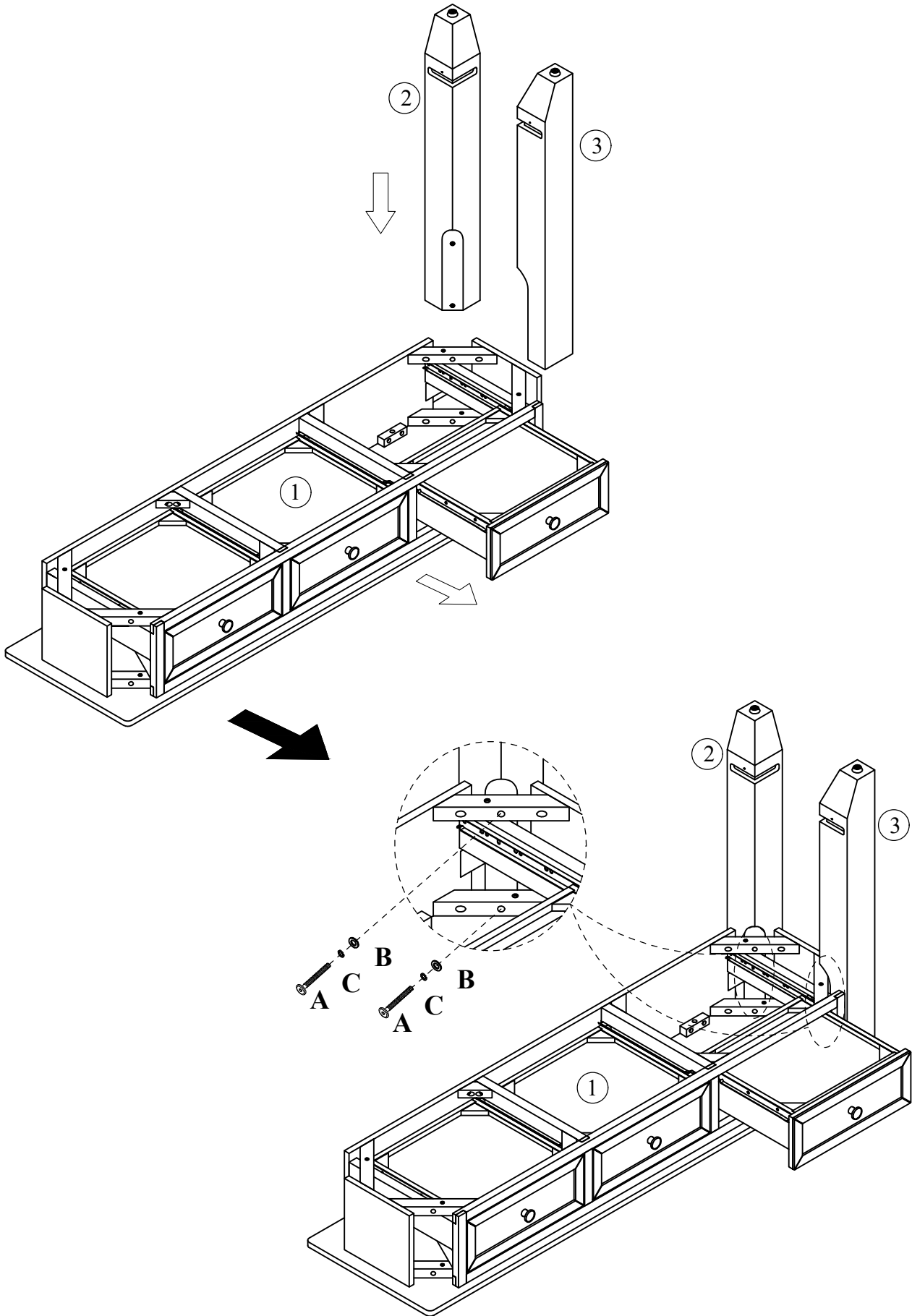
Center Leg - 1pc

Hardware List




A	B	C
 1/4"x50mm	 ø1/4"x19x1mm	 ø1/4"x10x1.2mm
Hex-Head bolts - 8pcs	Flat Washer - 8pcs	Lock Washer - 8pcs
D	E	F
 4mm		 20x20x19mm
Allen key - 1pc	Anti fall hardware (2sets)	L-Bracket - 4pcs
G		
 Ø7xØ3.5x12mm		
Round head screw - 8pcs		

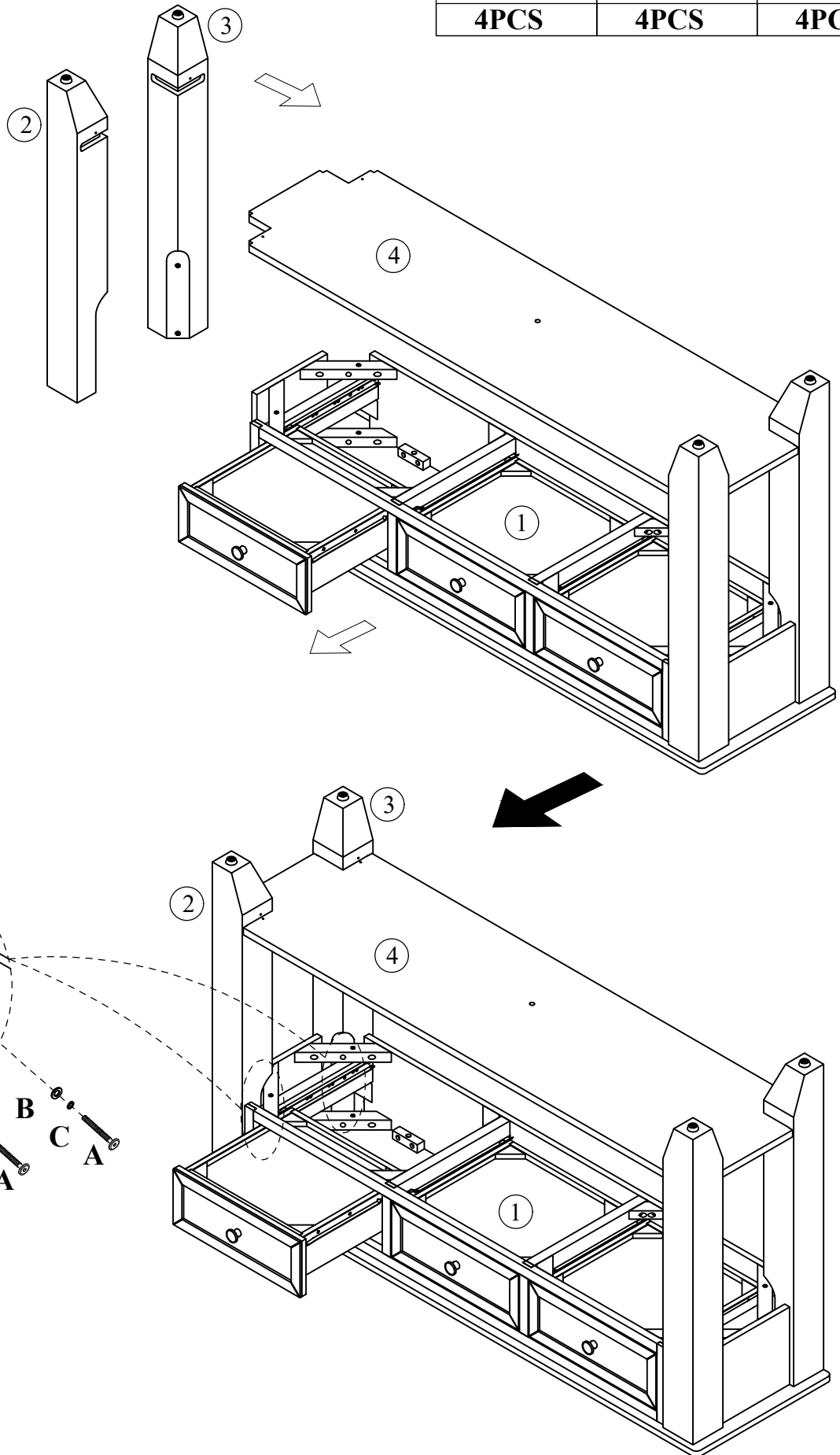
STEP: 1

A	C	B
		
4PCS	4PCS	4PCS

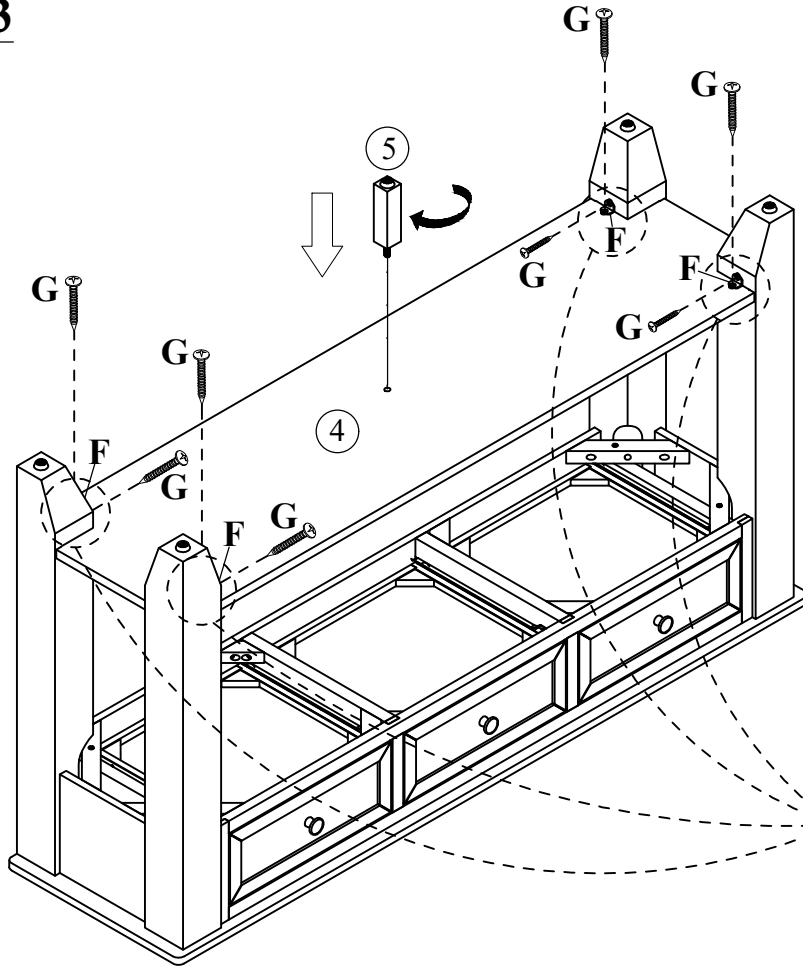




STEP: 2

A	C	B
		
4PCS	4PCS	4PCS

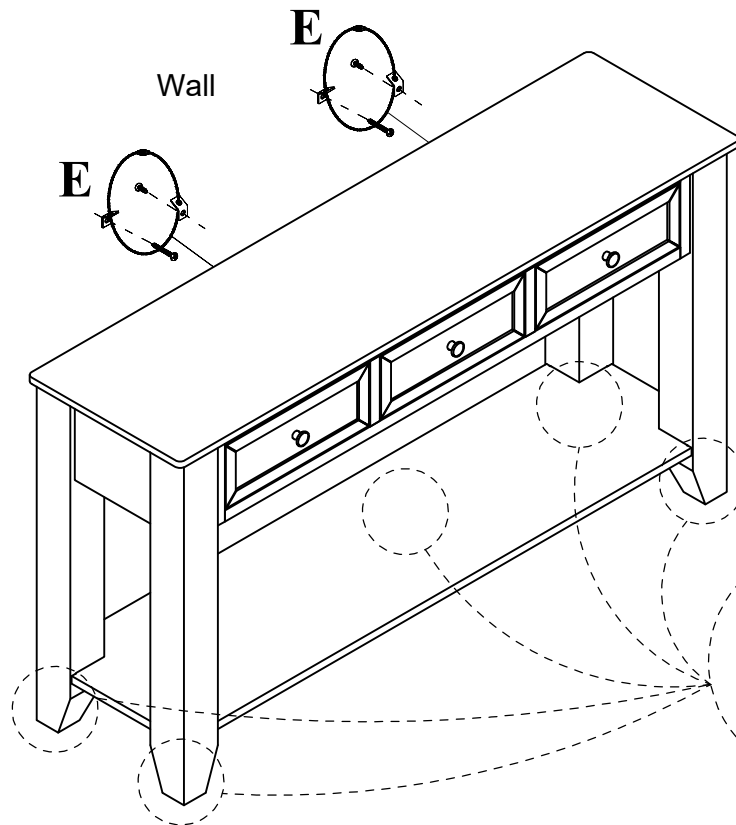


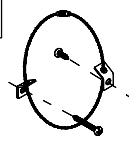
STEP: 3



F 	G 
4PCS	8PCS

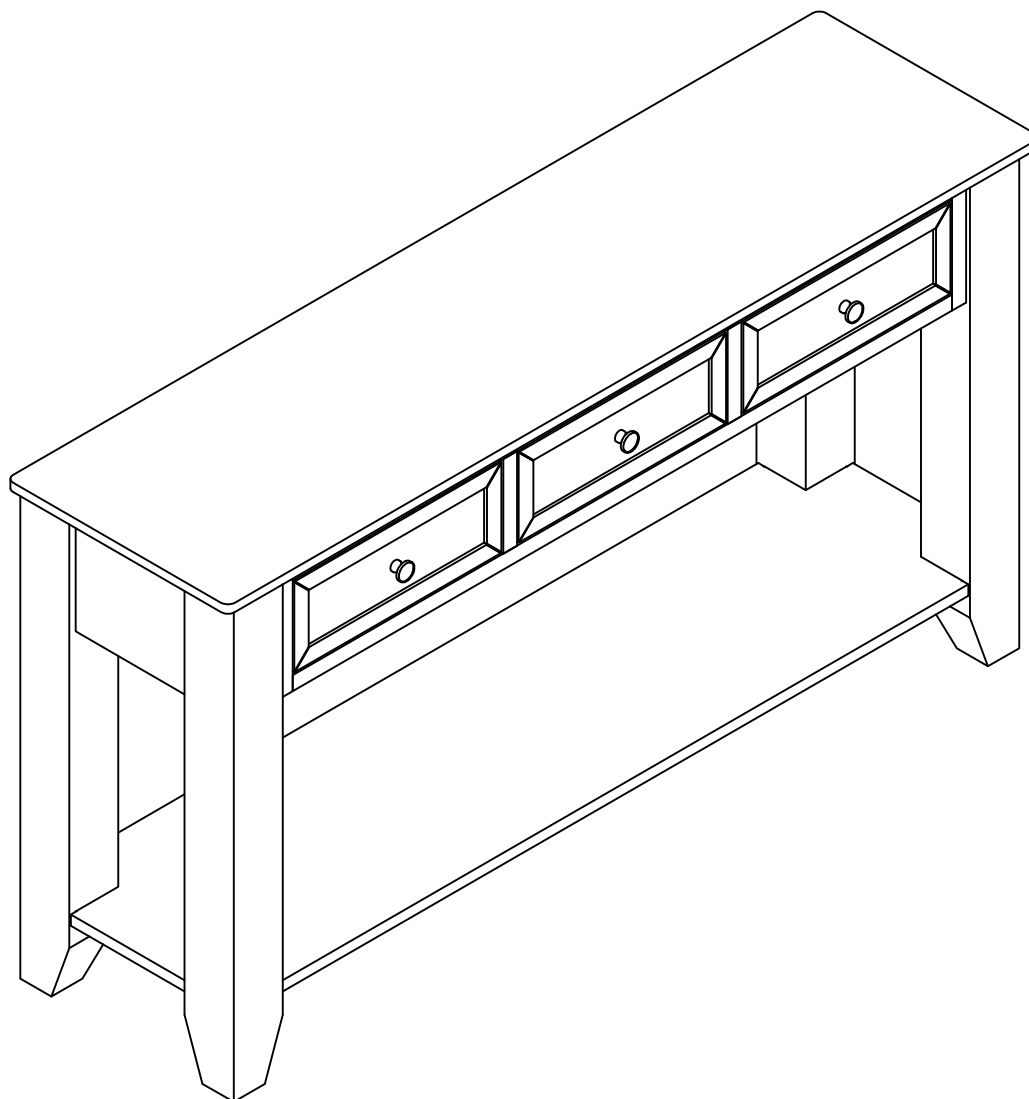
STEP: 4



E 
2SET

Adjust Leveler

STEP: 5



Note: This is not a clothing storage cabinet and it is not recommended to use it as a clothing storage cabinet.
All cabinets come with TRD, stainless steel or our "L-Bracket "when shipped.

