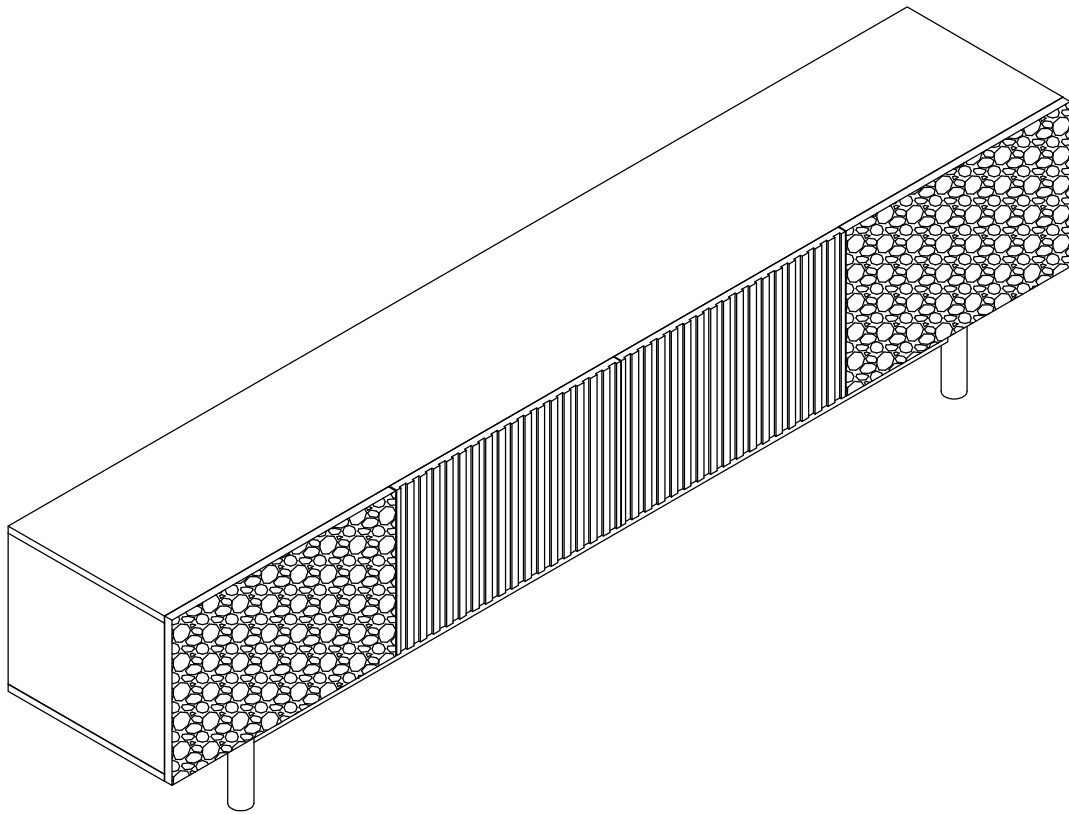
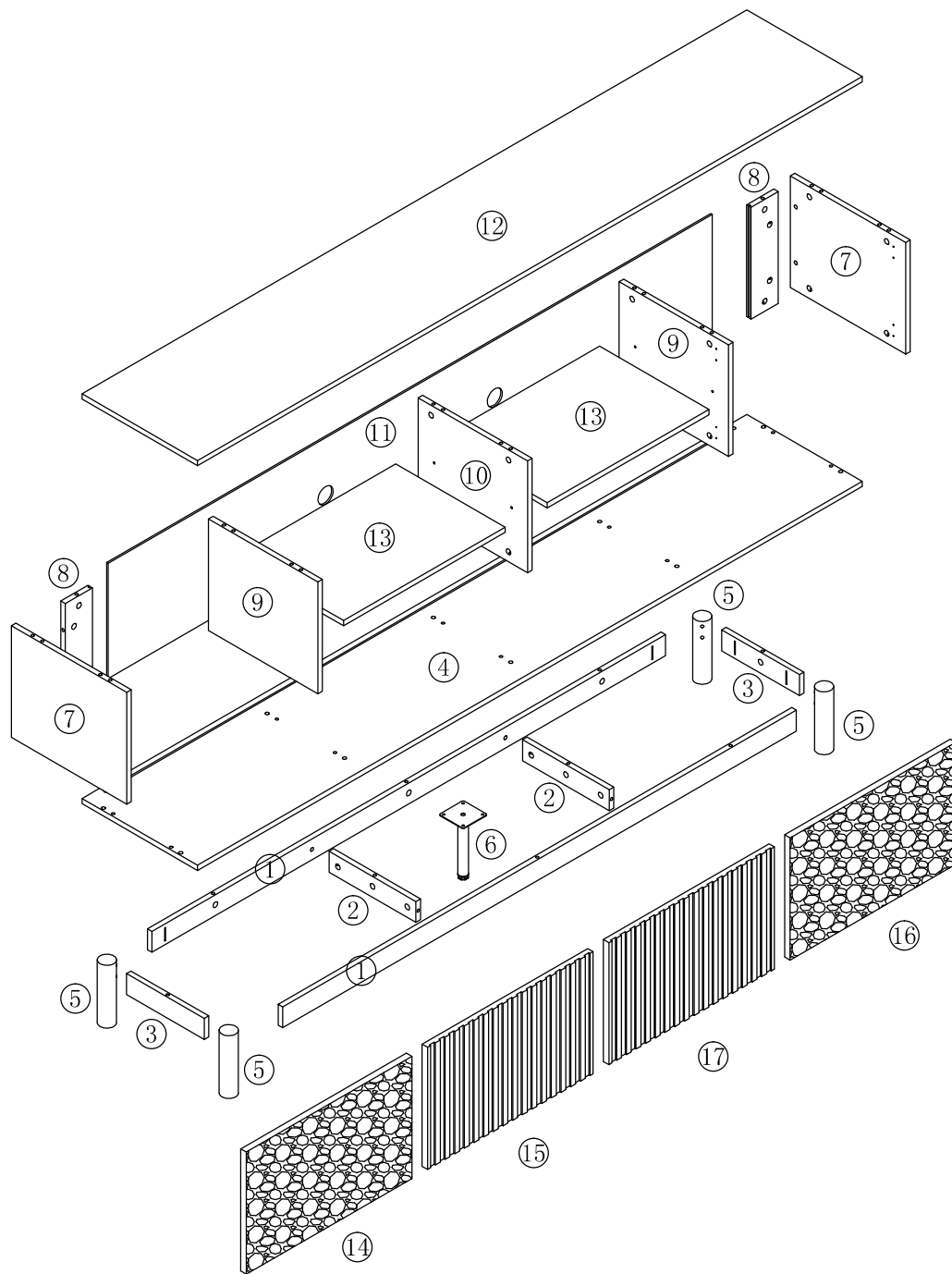


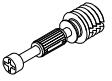


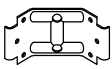
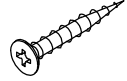
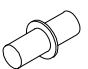
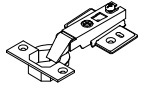
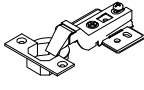

TV stand

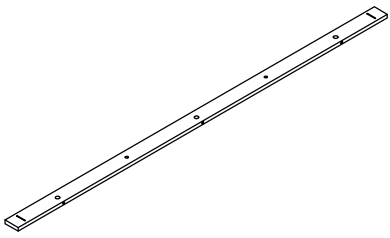
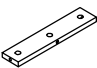
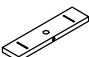
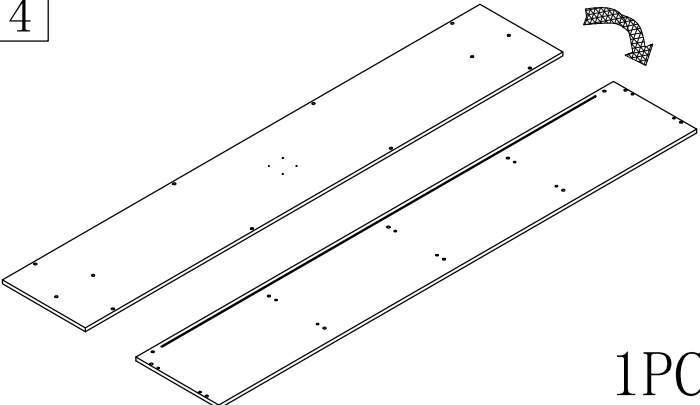
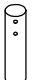

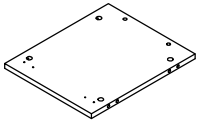
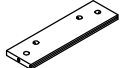
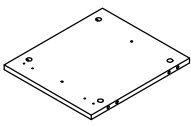
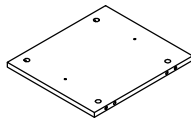
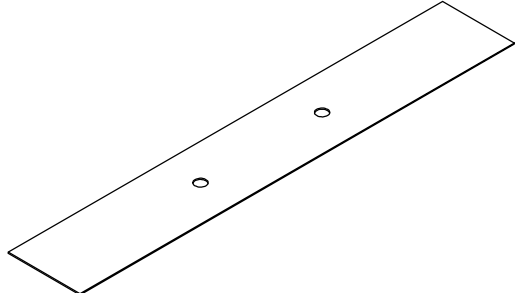
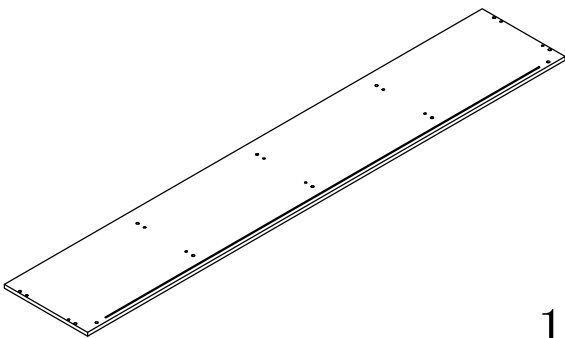
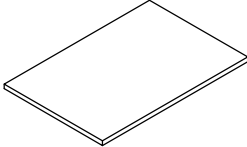
Installation Instructions

For specification: 220cm(L)x40cm(W)x54cm(H)

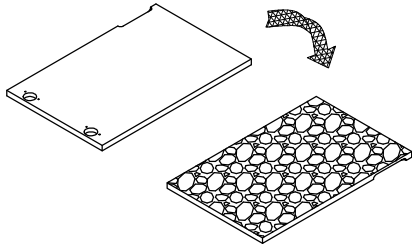




A	42PCS	B	42PCS	C	20PCS	D	4PCS	E	76PCS	F	8PCS
											
Ø6*35mm		Ø15*10mm		Ø8*30mm				Ø3.5*14mm		Ø5*15mm	
G	4PCS	H	4PCS	I	8PCS						
											
				M6*25mm							

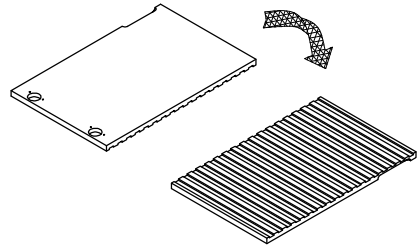
<p>1</p>  <p>2PCS</p>	<p>2</p>  <p>2PCS</p>	<p>3</p>  <p>2PCS</p>
<p>4</p>  <p>1PC</p>	<p>5</p>  <p>4PCS</p>	<p>6</p>  <p>1PC</p>
<p>7</p>  <p>1PC</p>	<p>8</p>  <p>1PC</p>	<p>9</p>  <p>2PCS</p>
<p>10</p>  <p>2PCS</p>	<p>11</p>  <p>1PC</p>	
<p>12</p>  <p>1PC</p>	<p>13</p>  <p>2PCS</p>	

14



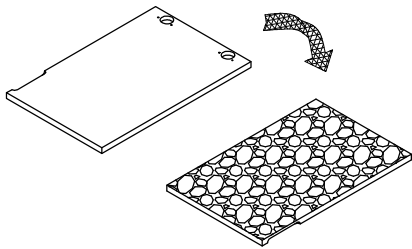
1PC

15



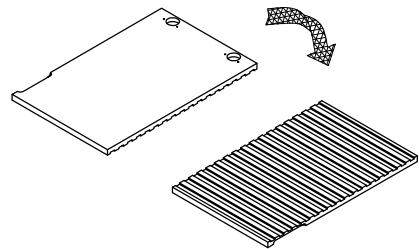
1PC

16



1PC

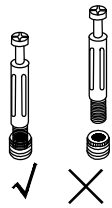
17



1PC

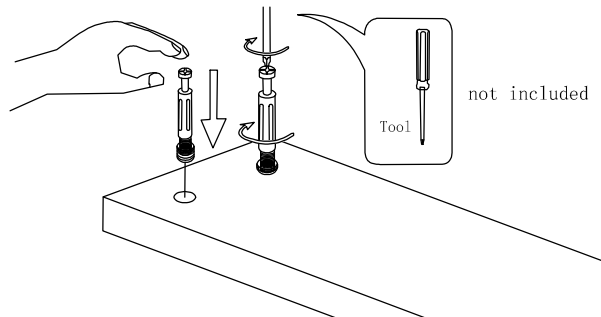
"A" Hardware installation example

I

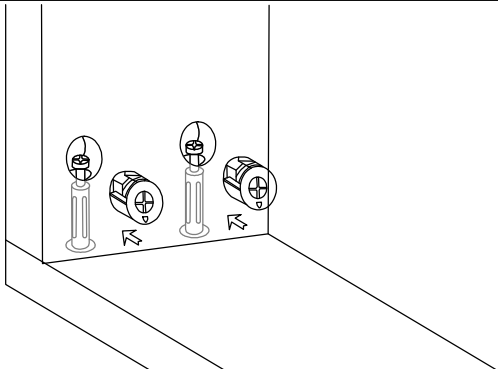


This part cannot be separated,
please install in strict
accordance with the assembly
requirements

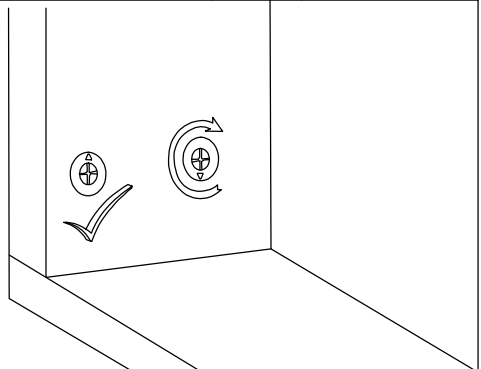
II



III



IV

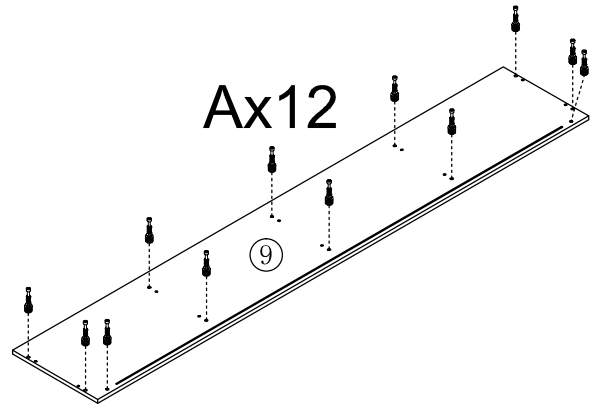
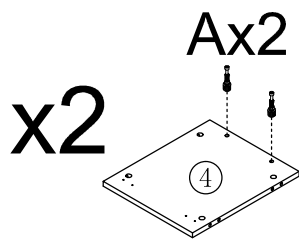
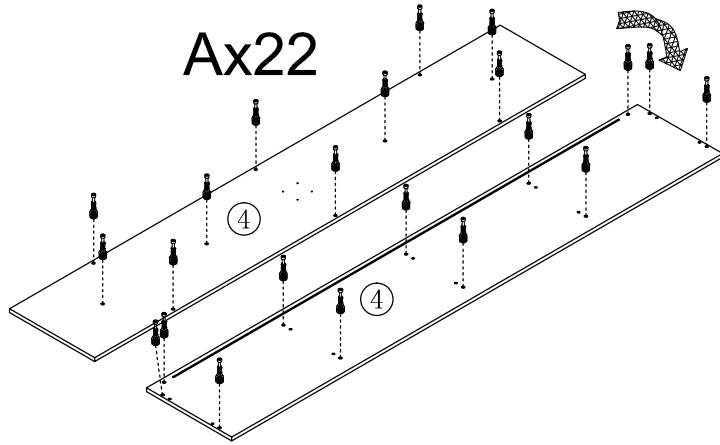
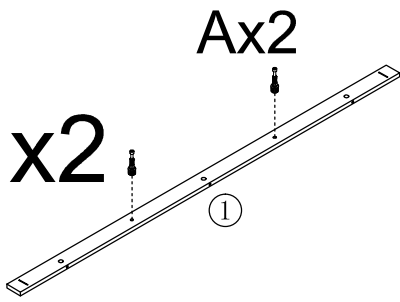


Step 1

A 42PCS



Ø6*35mm

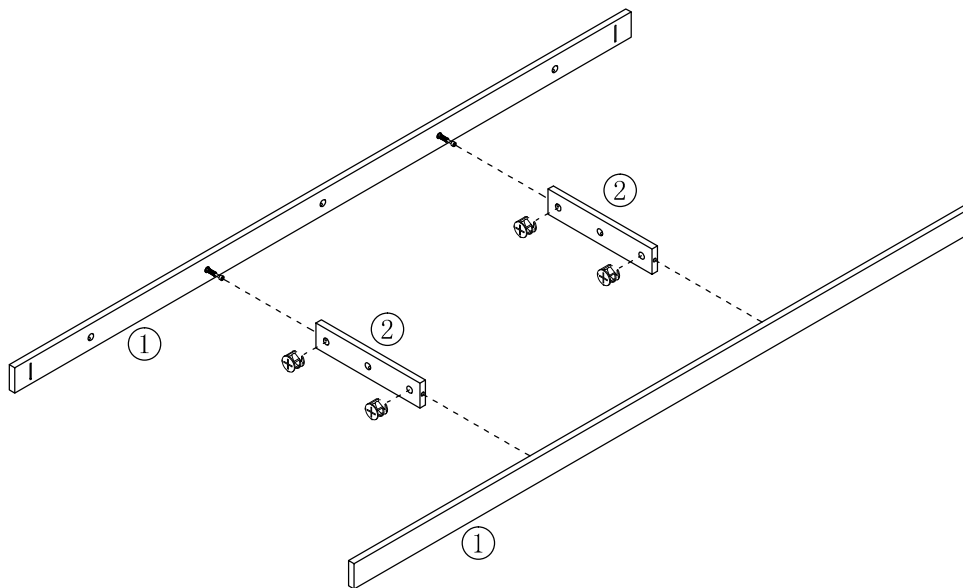


Step 2

B 4PCS



Ø15*10mm

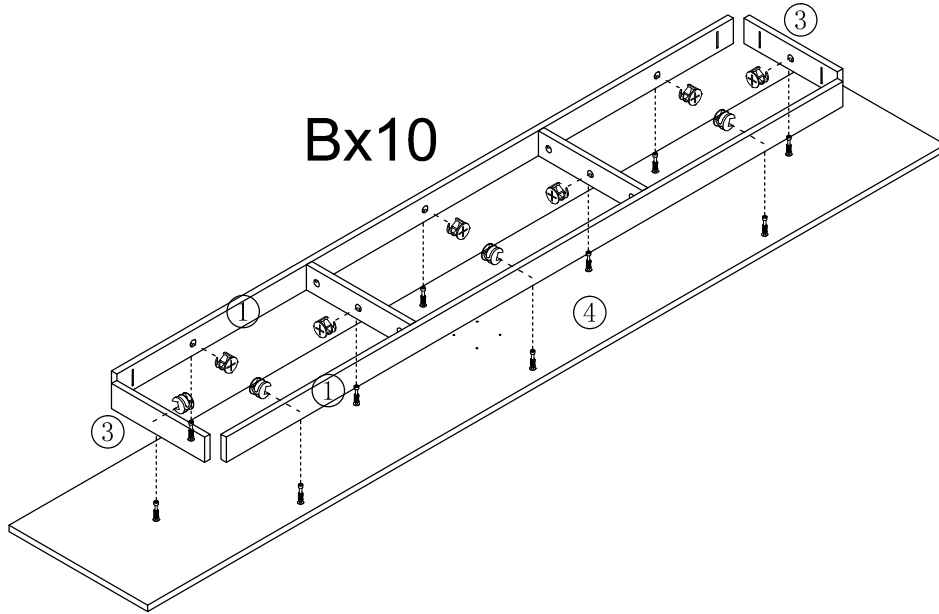


Step 3

B | 10PCS

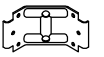


Ø15*10mm



Step 4

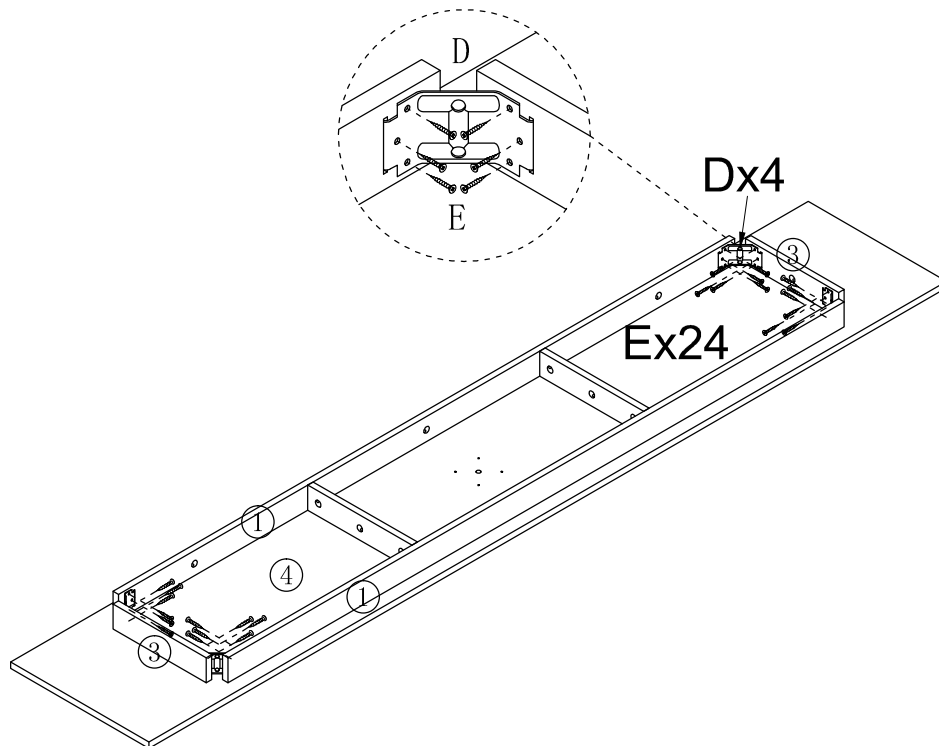
D | 4PCS



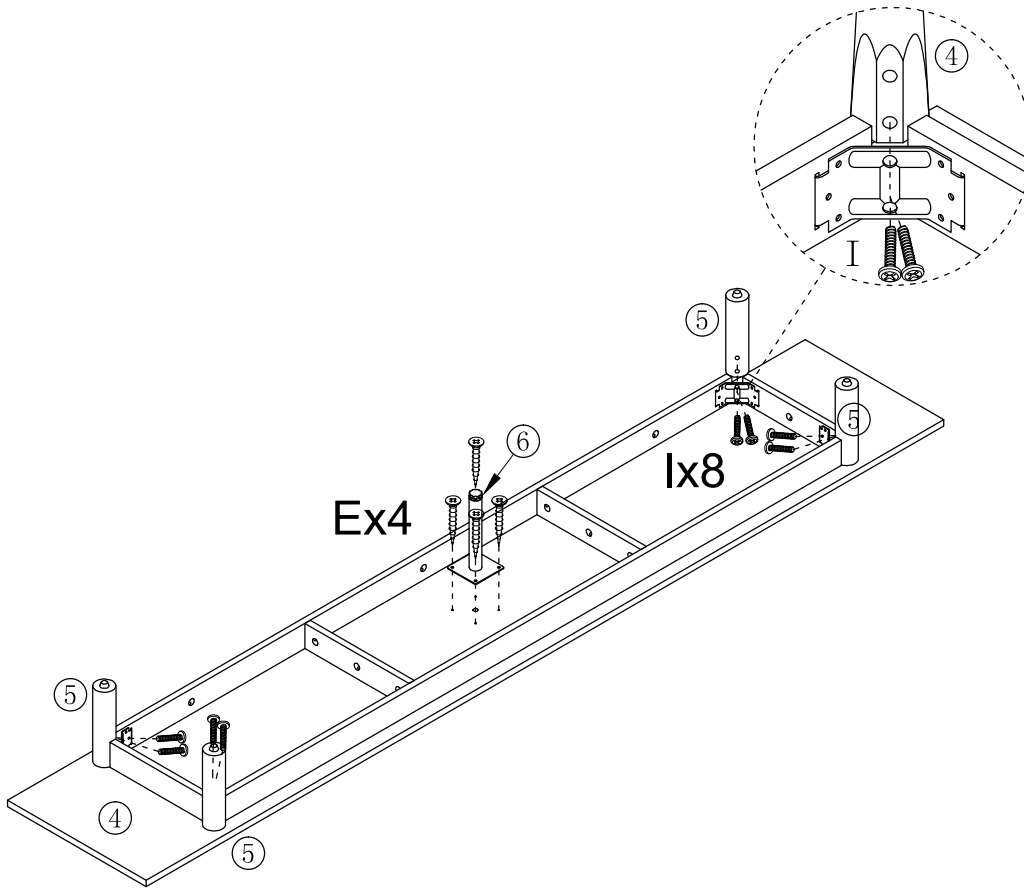
E | 24PCS





Ø3.5*14mm

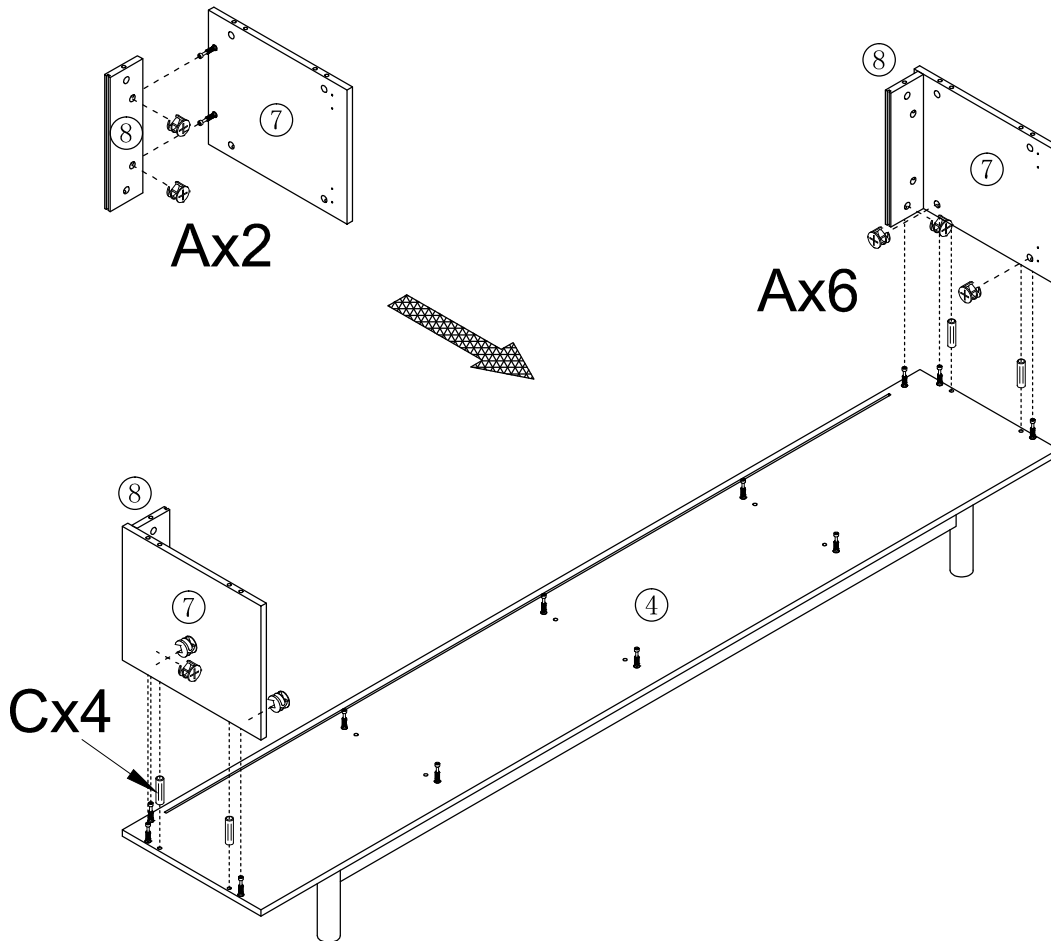




Step 5



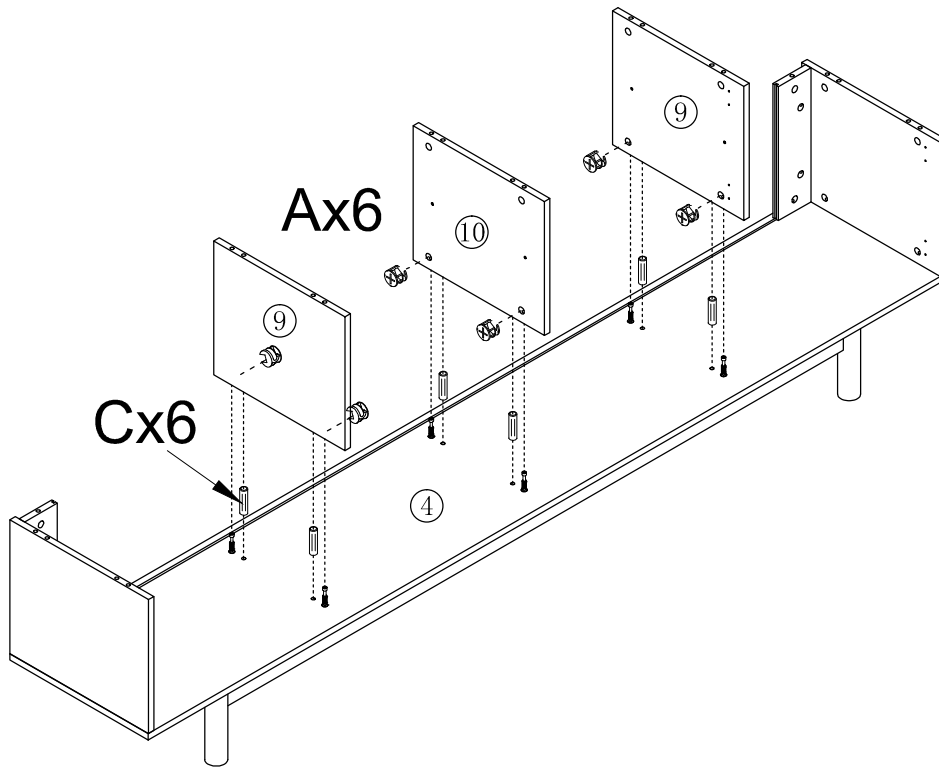
E	24PCS
	
$\phi 3.5 \times 14\text{mm}$	
I	8PCS
	
$M6 \times 25\text{mm}$	


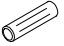
Step 6



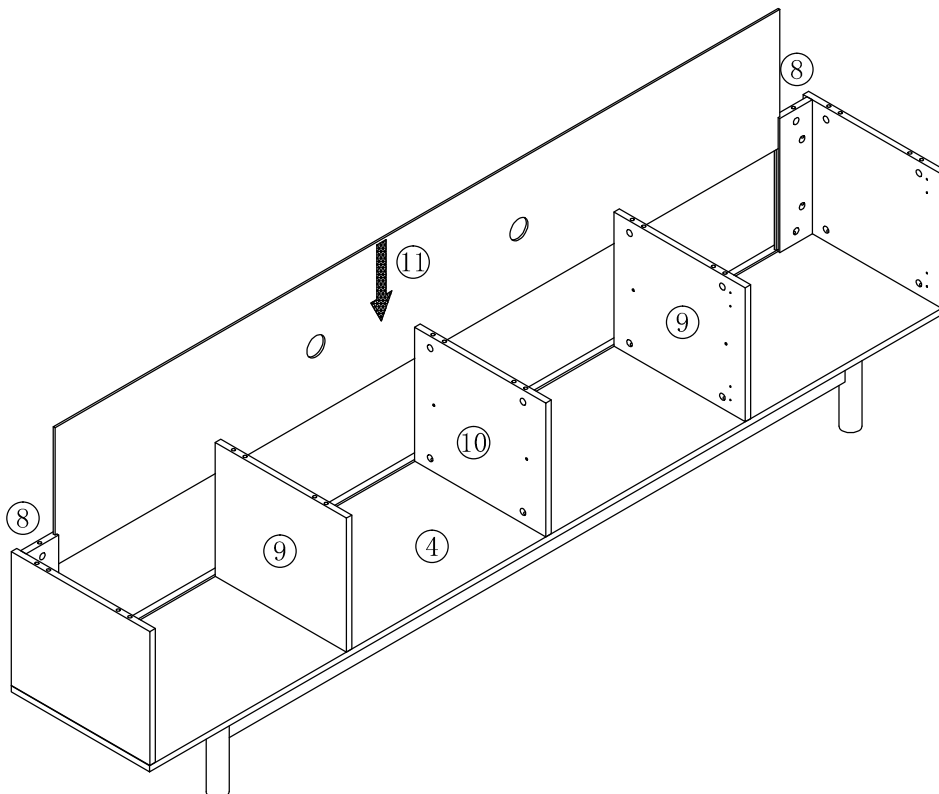
B	10PCS
	
$\phi 15 \times 10\text{mm}$	
C	4PCS
	
$\phi 8 \times 30\text{mm}$	

Step 7

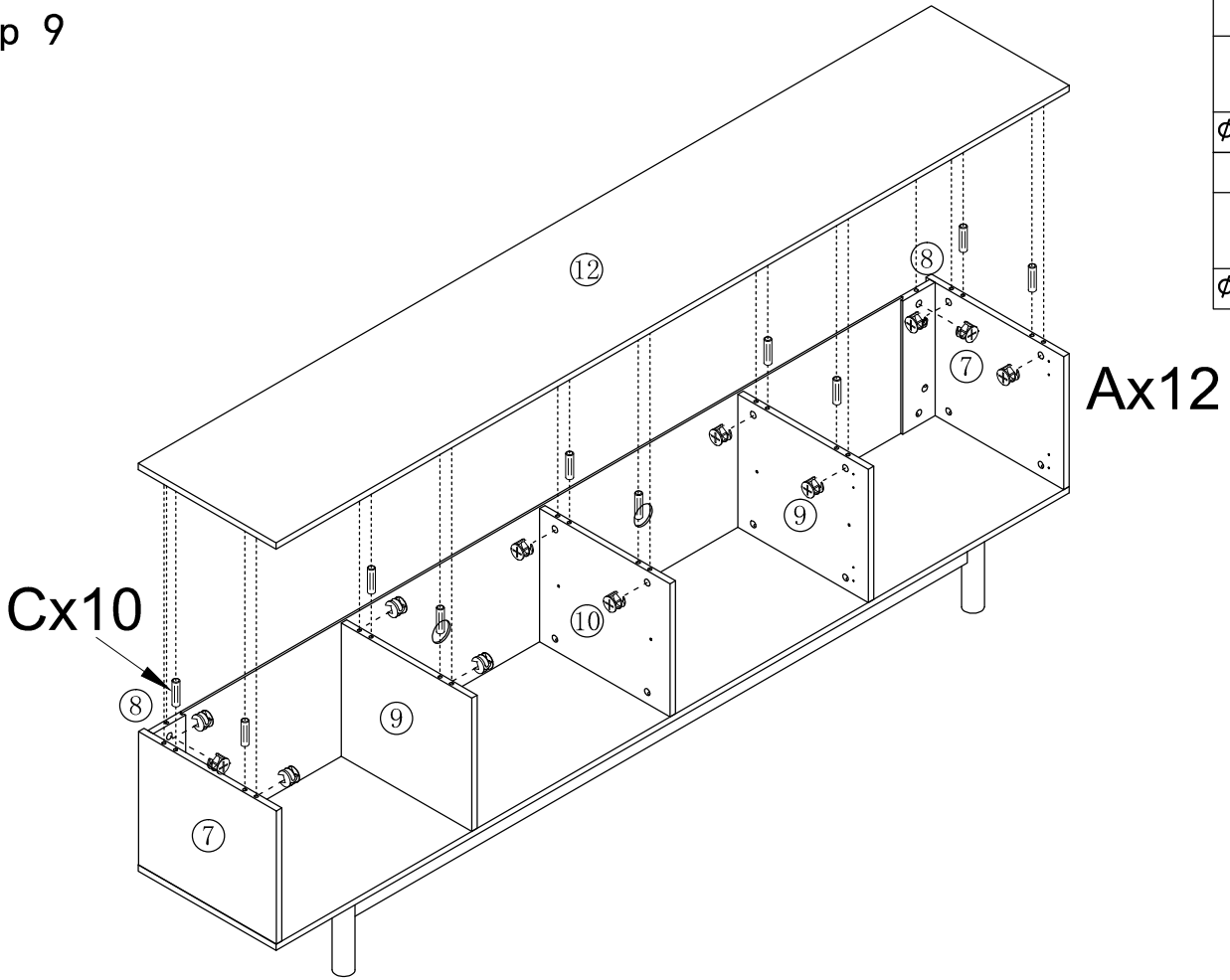



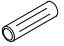
B	6PCS
	
Ø15*10mm	
C	6PCS
	
Ø8*30mm	

Step 8

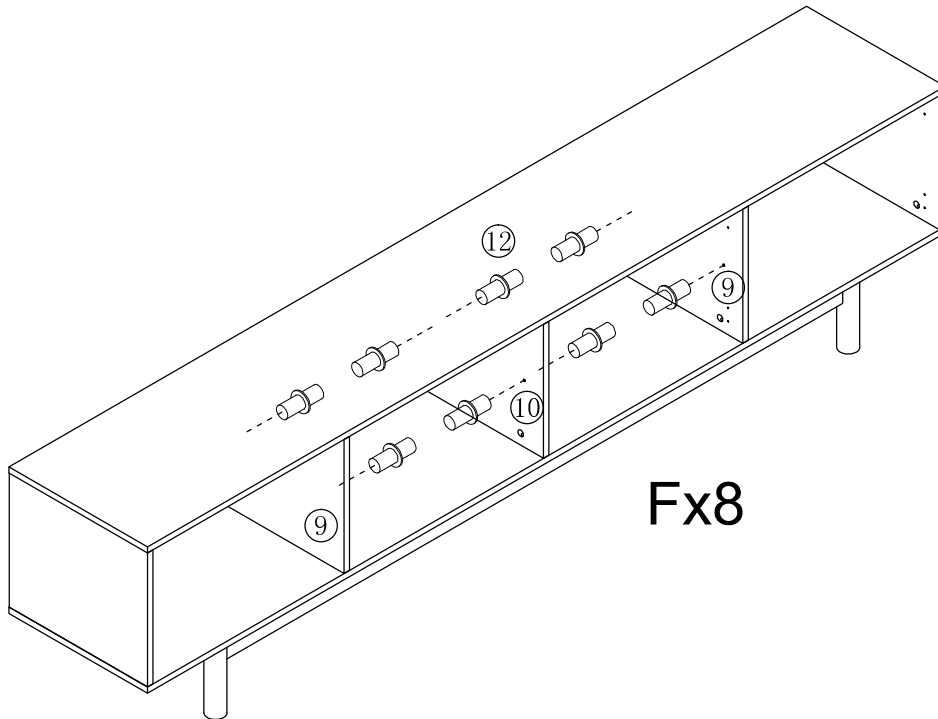



Step 9



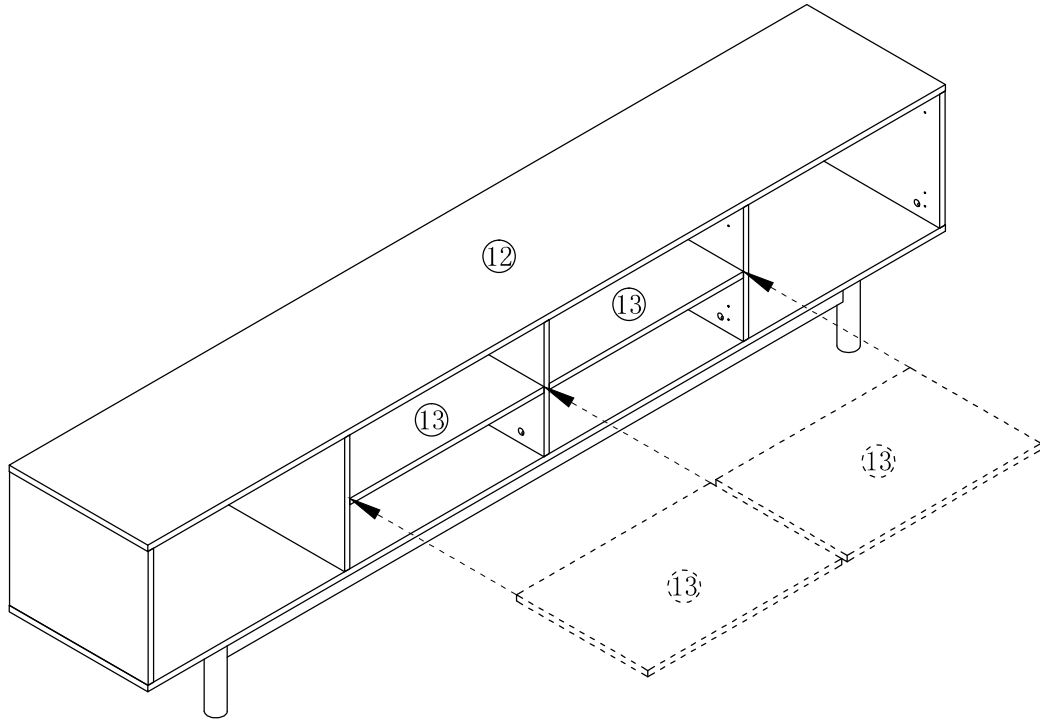
B	12PCS
	
Ø15*10mm	
C	10PCS
	
Ø8*30mm	

Step 10

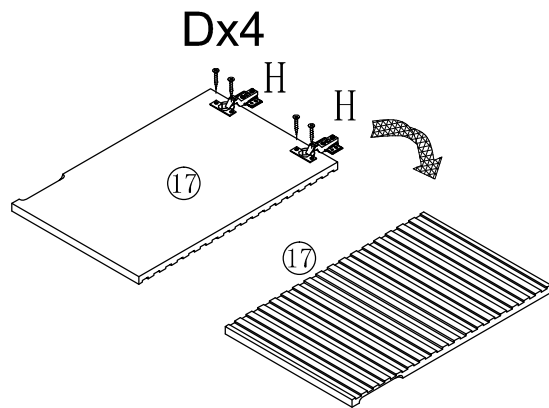
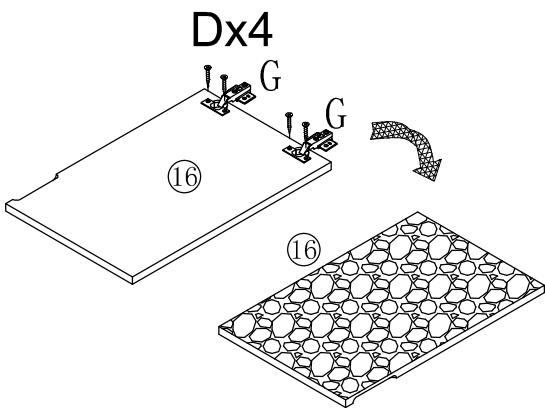
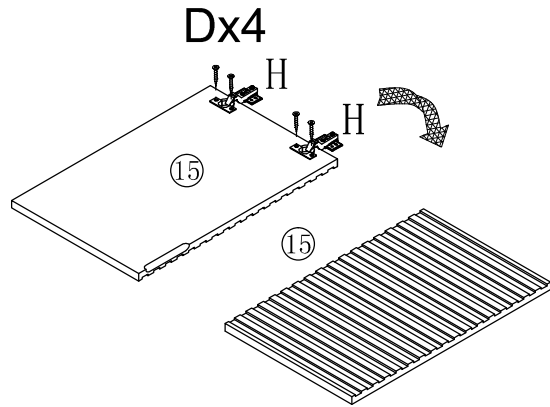
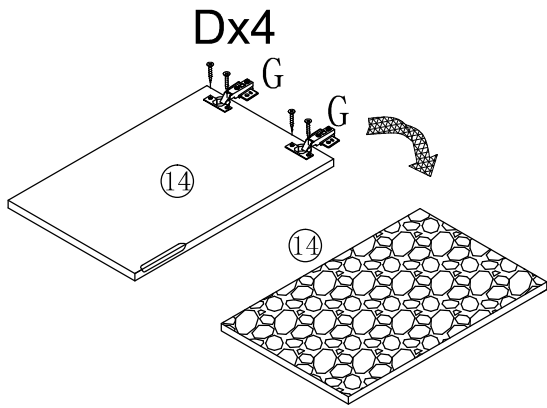





F	8PCS
	
Ø5*15mm	

Step 11



Step 12



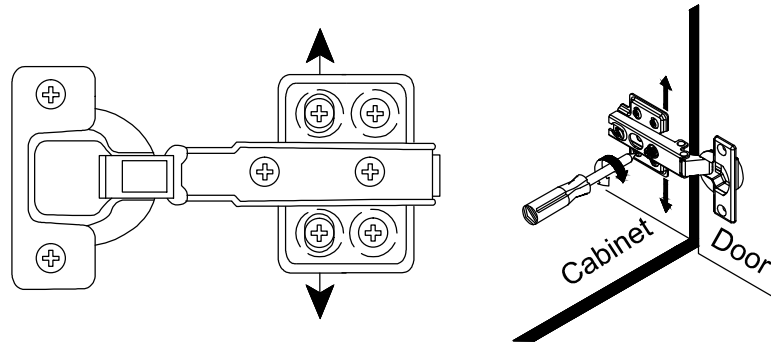
D	16PCS
	
	Ø3.5*14
G	4PCS
	
H	4PCS
	

Step 13

Cabinet Door Adjustment Instructions

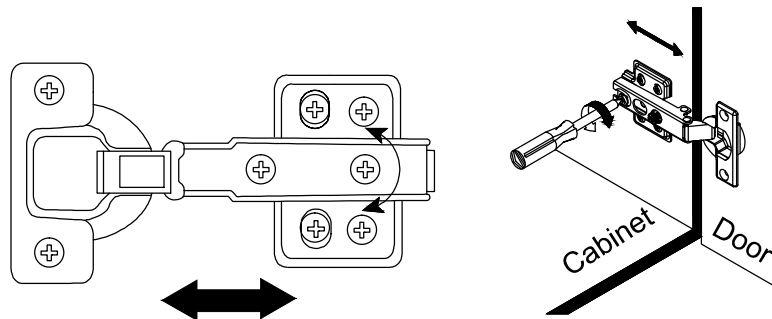
Height adjustment:

- Locate the height adjustment screws on the hinge.
- Use the Phillips screwdriver to either tighten or loosen the screws to raise or lower the cabinet door as desired.



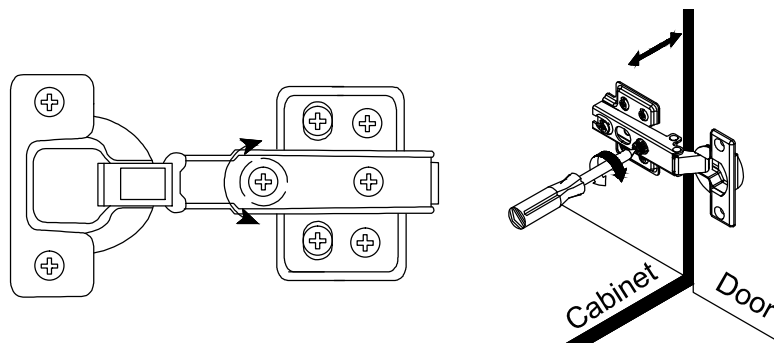
Side-to-side adjustment:

- If the cabinet door needs to be moved closer to or away from the cabinet frame, locate the side-to-side adjustment screws on the hinge.
- Use the Phillips screwdriver to adjust these screws and gradually move the door in the desired direction.



Depth adjustment (if applicable):

- Check if the cabinet door needs to be brought closer to or further away from the cabinet frame.
- For depth adjustment, locate the depth adjustment screws on the hinge.
- Use the Phillips screwdriver to turn these screws clockwise or counterclockwise accordingly.

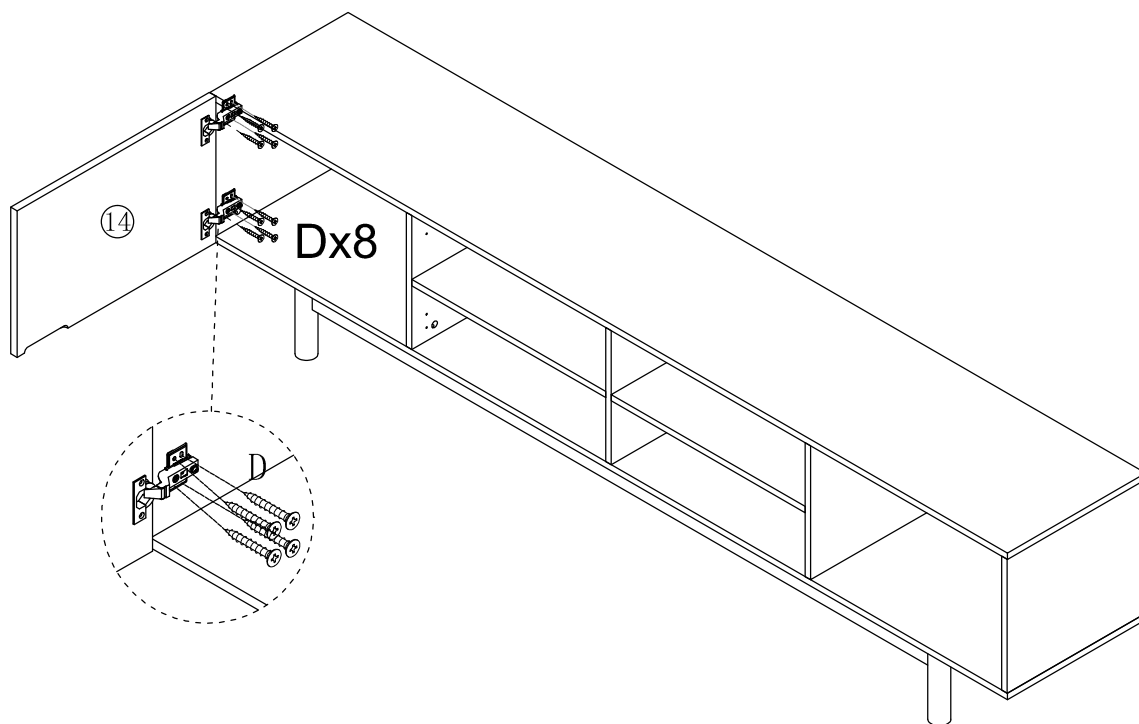


Step 14

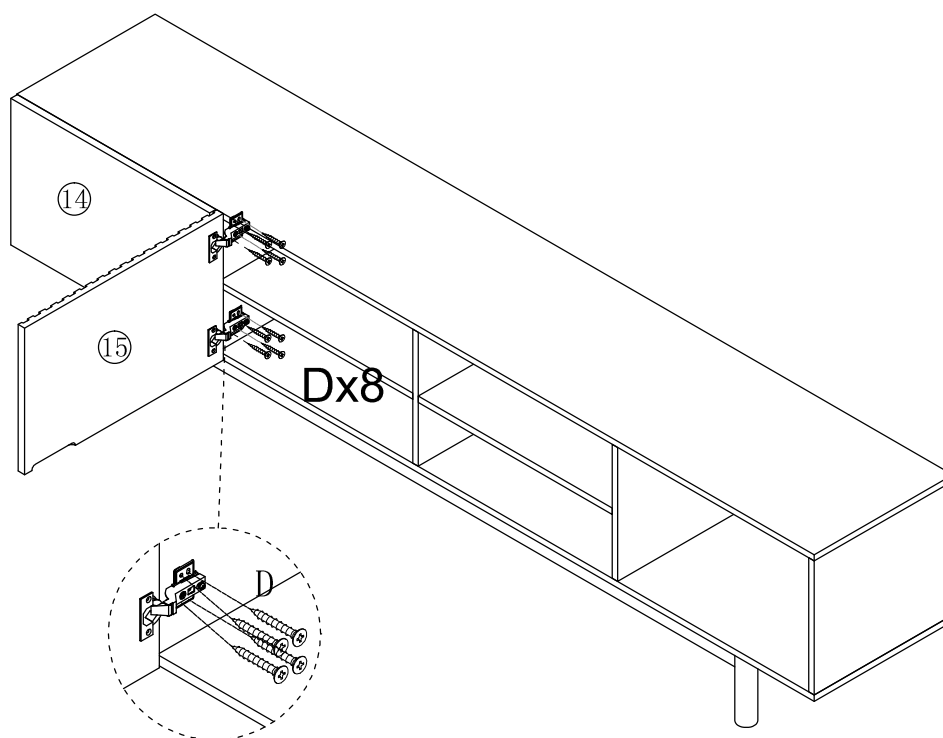
D 8PCS



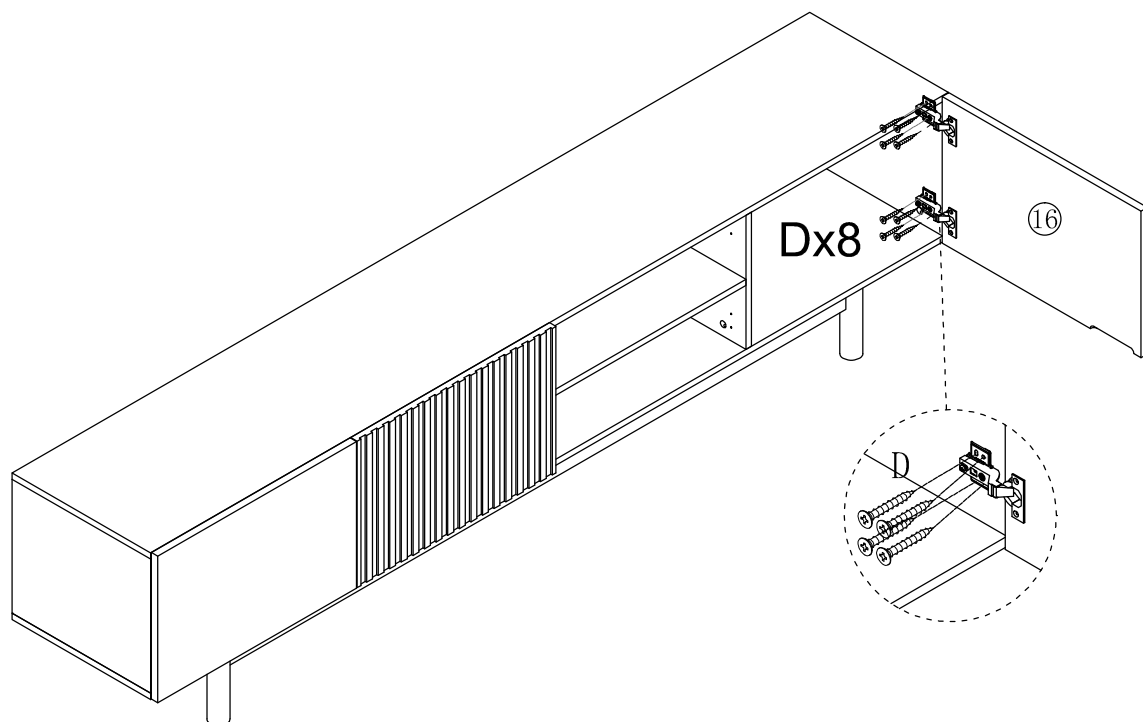
Ø3.5*14



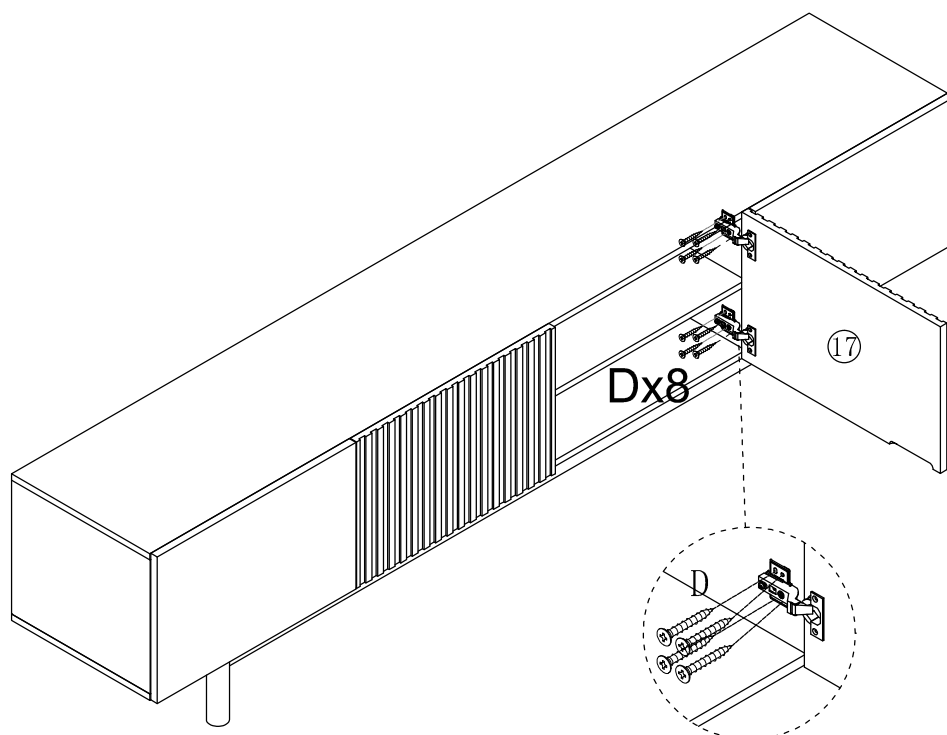
Step 15



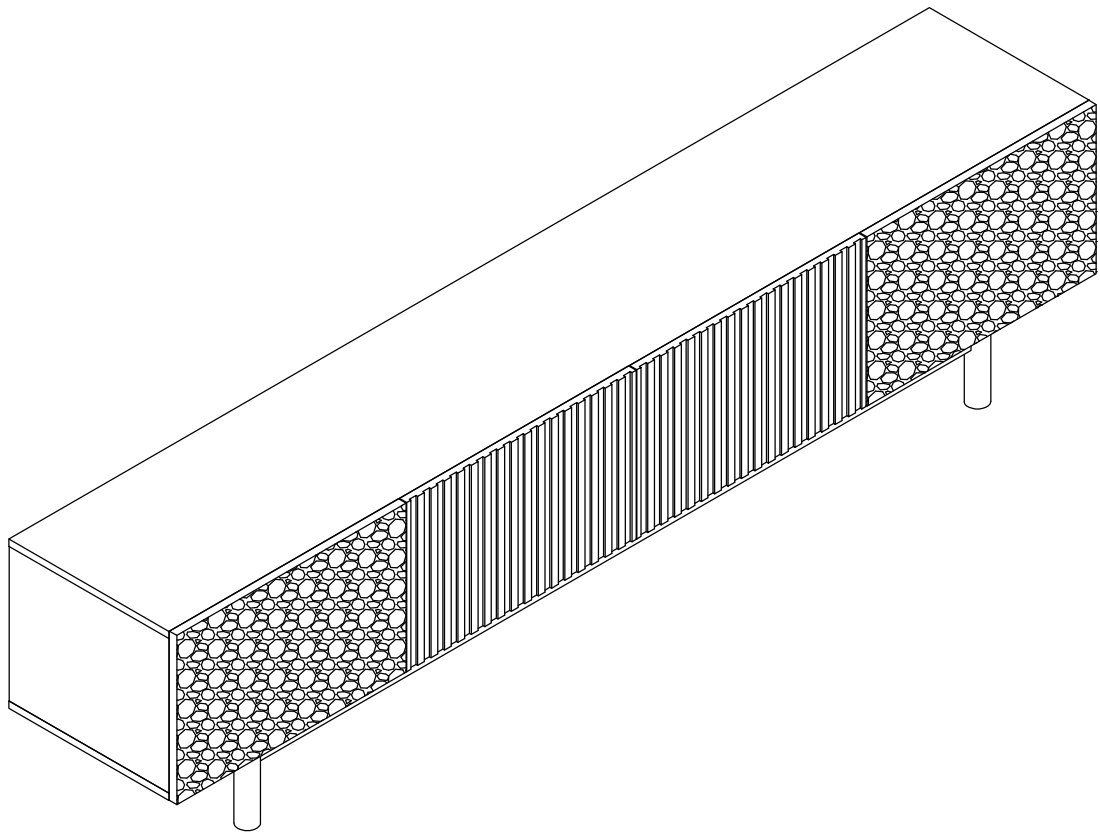
Step 17



Step 18



Step 19



OK