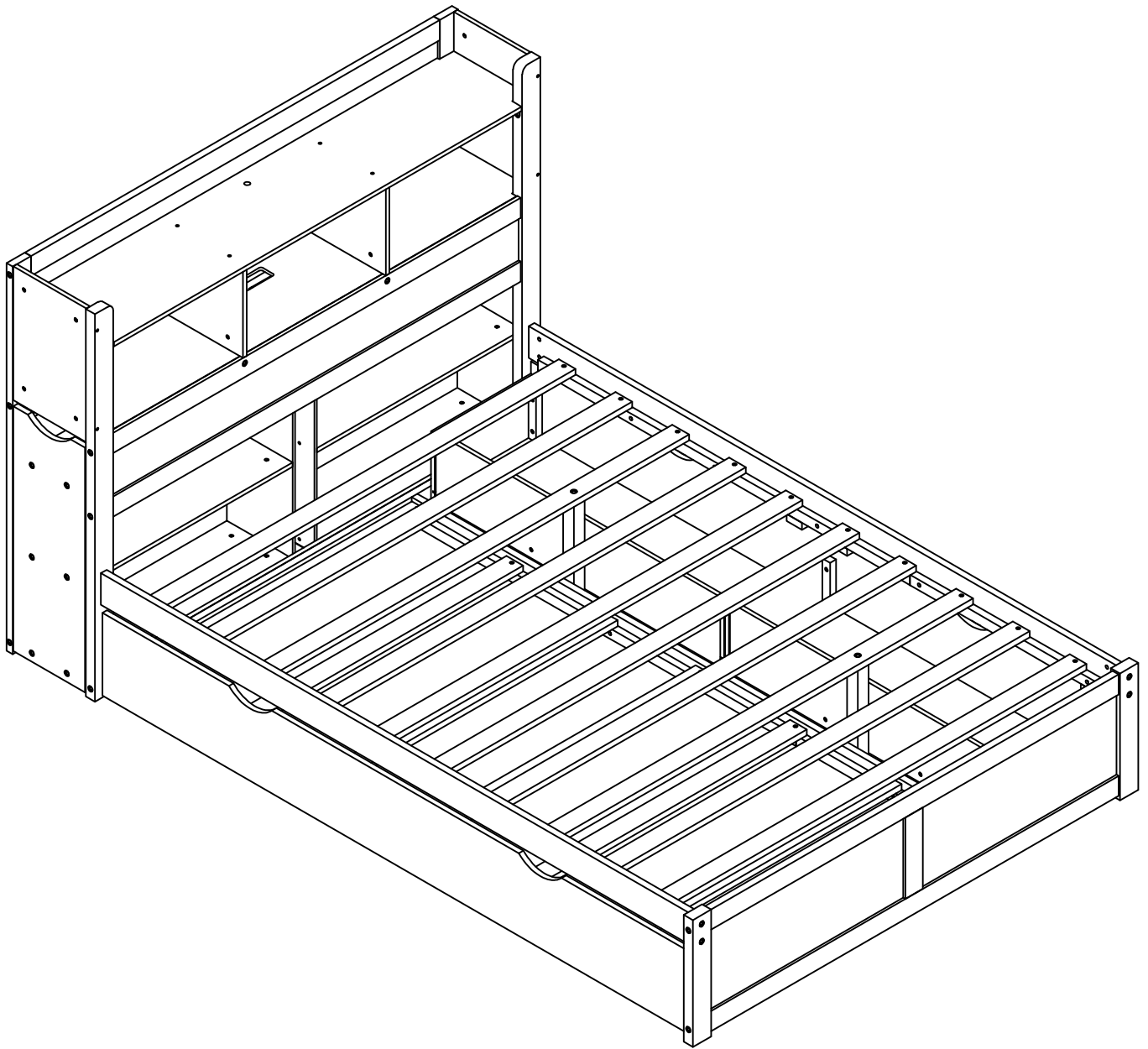
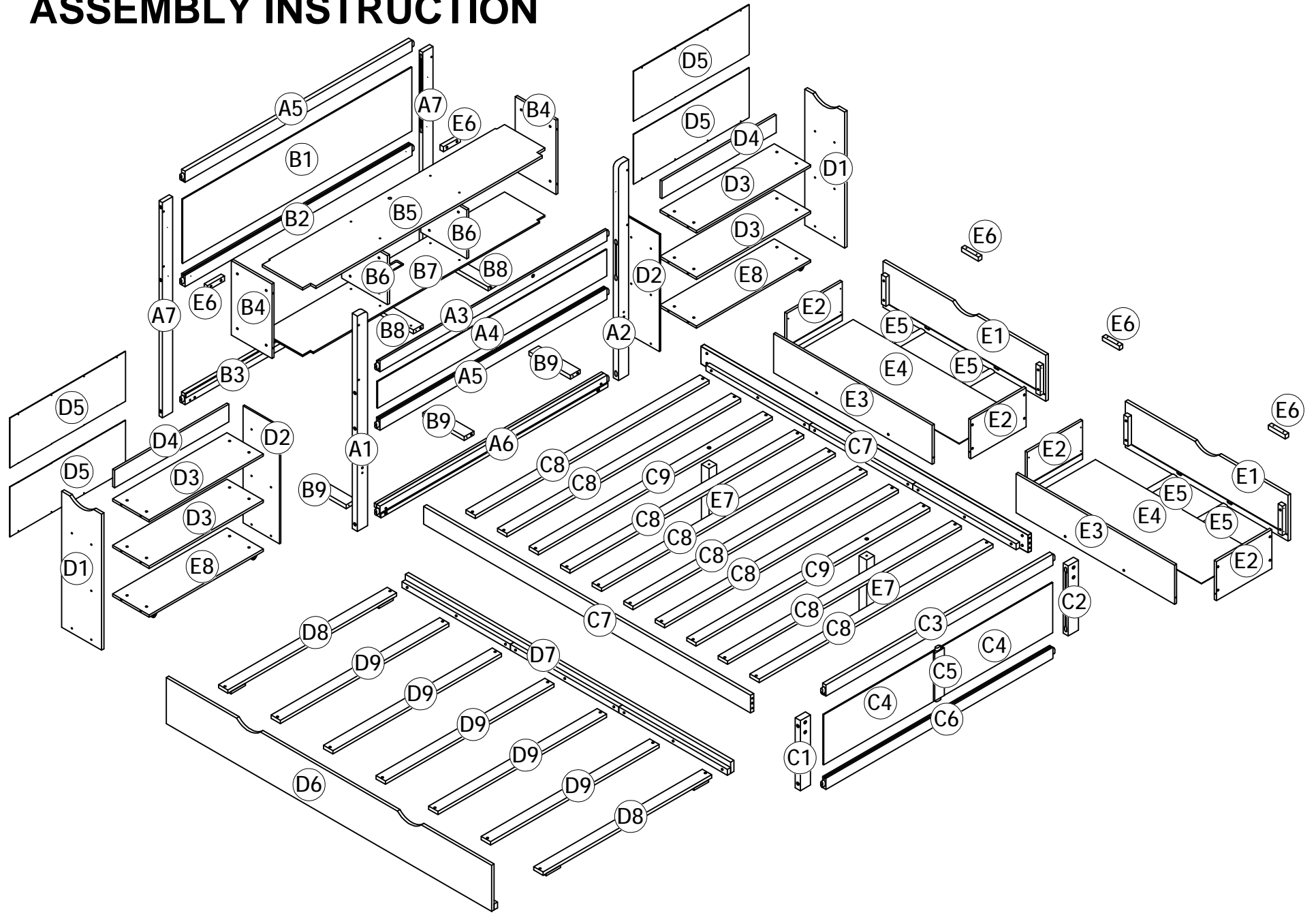




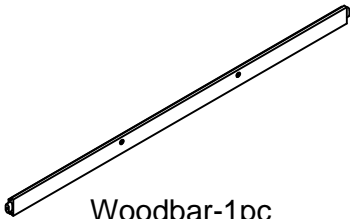
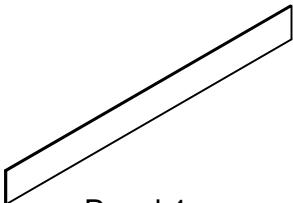



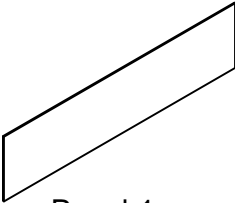
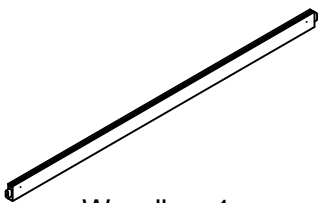
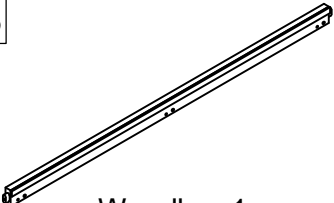
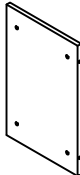
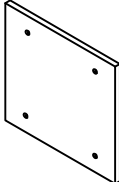
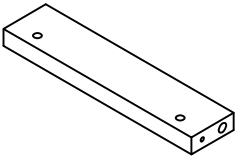
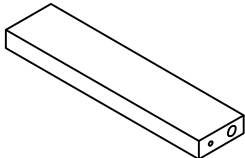


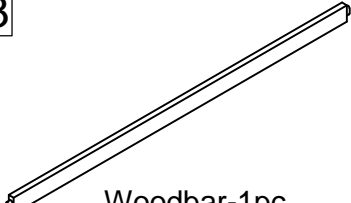
ASSEMBLY INSTRUCTION



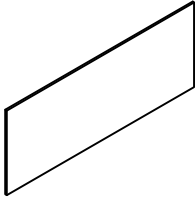

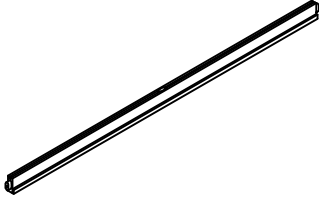
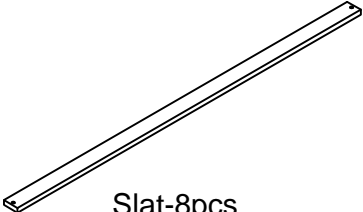
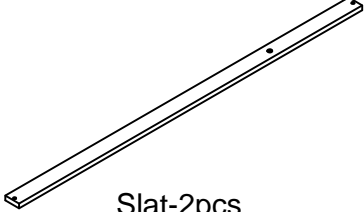
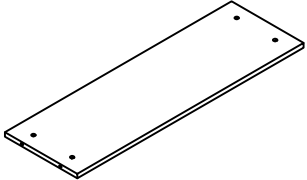
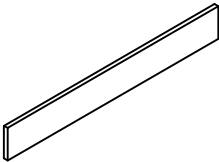

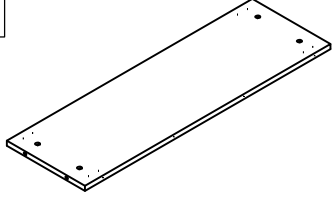
ASSEMBLY INSTRUCTION



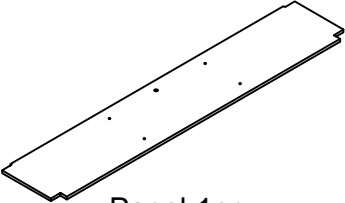
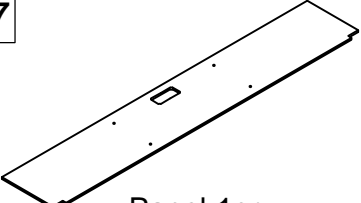
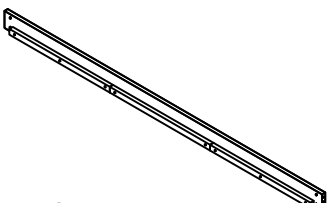

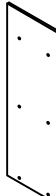
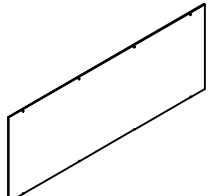
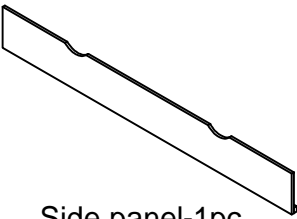
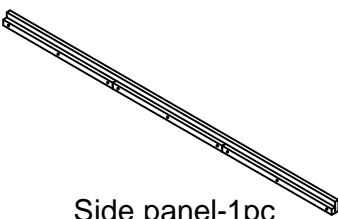
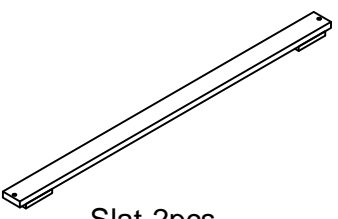
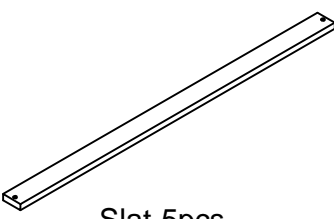
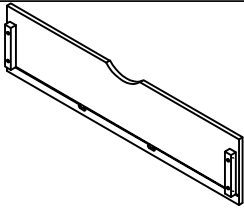
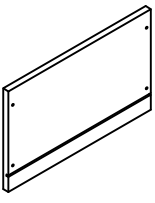
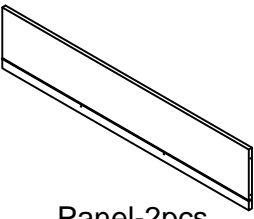
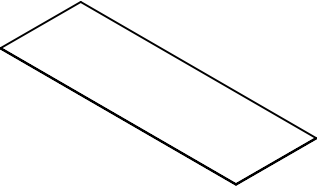
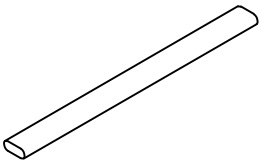
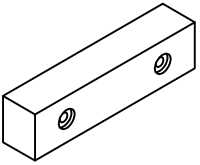
Part List (Box 1)

<p>A1</p>  <p>Woodleg-1pc</p>	<p>A2</p>  <p>Woodleg-1pc</p>	<p>A3</p>  <p>Woodbar-1pc</p>
<p>A4</p>  <p>Panel-1pc</p>	<p>A5</p>  <p>Woodbar-2pcs</p>	<p>A6</p>  <p>Woodbar-1pc</p>
<p>A7</p>  <p>Woodleg-2pcs</p>	<p>B1</p>  <p>Panel-1pc</p>	<p>B2</p>  <p>Woodbar-1pc</p>
<p>B3</p>  <p>Woodbar-1pc</p>	<p>B4</p>  <p>Panel-2pcs</p>	<p>B6</p>  <p>Panel-2pcs</p>
<p>B8</p>  <p>Woodbar-2pcs</p>	<p>B9</p>  <p>Woodbar-3pcs</p>	<p>C1</p>  <p>Woodleg-1pc</p>
<p>C2</p>  <p>Woodleg-1pc</p>	<p>C3</p>  <p>Woodbar-1pc</p>	

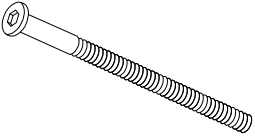

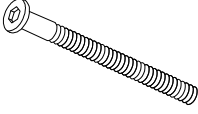
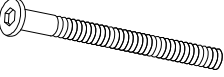
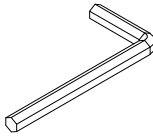


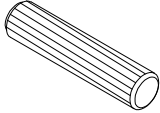
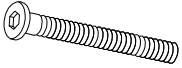
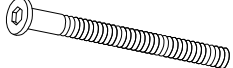
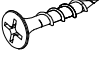
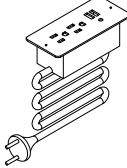
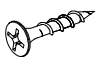


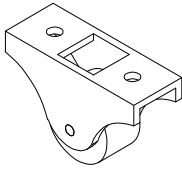
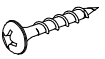
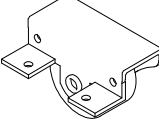
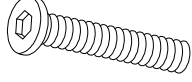
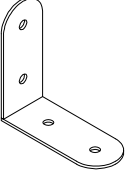
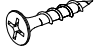
Part List (Box 1-

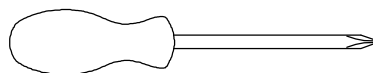
<p>C4</p>  <p>Panel-2pcs</p>	<p>C5</p>  <p>Woodbar-1pc</p>	<p>C6</p>  <p>Woodbar-1pc</p>
<p>C8</p>  <p>Slat-8pcs</p>	<p>C9</p>  <p>Slat-2pcs</p>	<p>D3</p>  <p>Panel-4pcs</p>
<p>D4</p>  <p>Panel-2pcs</p>	<p>E7</p>  <p>Woodleg-2pcs</p>	<p>E8</p>  <p>Panel-2pcs</p>

Part List & Hardware List (Box 2)

<p>B5</p>  <p>Panel-1pc</p>	<p>B7</p>  <p>Panel-1pc</p>	<p>C7</p>  <p>Side panel-2pcs</p>
<p>D1</p>  <p>Panel-2pcs</p>	<p>D2</p>  <p>Panel-2pcs</p>	<p>D5</p>  <p>Panel-4pcs</p>
<p>D6</p>  <p>Side panel-1pc</p>	<p>D7</p>  <p>Side panel-1pc</p>	<p>D8</p>  <p>Slat-2pcs</p>
<p>D9</p>  <p>Slat-5pcs</p>	<p>E1</p>  <p>Panel-2pcs</p>	<p>E2</p>  <p>Panel-4pcs</p>
<p>E3</p>  <p>Panel-2pcs</p>	<p>E4</p>  <p>Panel-2pcs</p>	<p>E5</p>  <p>Woodbar-4pcs</p>
<p>E6</p>  <p>Woodbar-5pcs</p>		

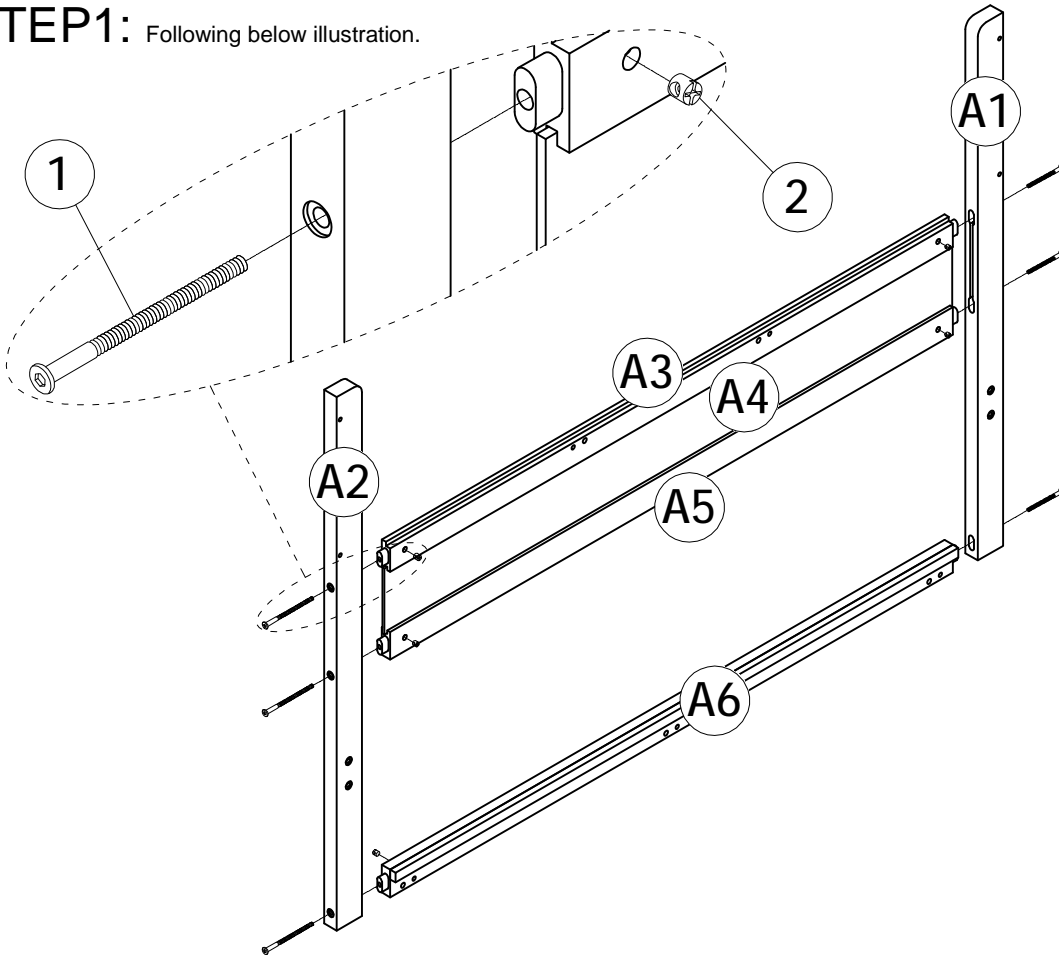
Hardware List (Box 2)



<p>1</p>  <p>Ø1/4" x 100 mm Hex-Head bolts 16pcs</p>	<p>2</p>  <p>Ø1/4" x 12 mm Horizontal-Hole bolts 64pcs</p>	<p>3</p>  <p>Ø1/4" x 70 mm Hex-Head bolts 8pcs</p>
<p>4</p>  <p>Ø1/4" x 80 mm Hex-Head bolts 12pcs</p>	<p>5</p>  <p>Allen Key 1pc</p>	<p>6</p>  <p>Screws 1/4" x40 10pcs</p>
<p>7</p>  <p>M4 x 30 mm Wood Screws 64pcs</p>	<p>8</p>  <p>Ø10 x 40 mm Wood dowel 14pcs</p>	<p>9</p>  <p>Ø1/4" x 50 mm Hex-Head bolts 4pcs</p>
<p>10</p>  <p>Ø1/4" x 60 mm Hex-Head bolts 24pcs</p>	<p>11</p>  <p>M4 x 15 mm Wood Screws 30pcs</p>	<p>12</p>  <p>USB 1pc</p>
<p>13</p>  <p>M3 x 12 mm Wood Screws 2pcs</p>	<p>14</p>  <p>2x16x26 Metal L part 10pcs</p>	<p>15</p>  <p>M3.5 x 12 mm Wood Screws 48pcs</p>
<p>16</p>  <p>Wheels 12pcs</p>	<p>17</p>  <p>M3 x 15 mm Wood Screws 28pcs</p>	<p>18</p>  <p>Wheels 8pcs</p>
<p>19</p>  <p>Ø1/4" x 30 mm Hex-Head bolts 2pcs</p>	<p>20</p>  <p>2x25x60x60 Metal L part 3pcs</p>	<p>21</p>  <p>M3.5 x 10 mm Wood Screws 12pcs</p>



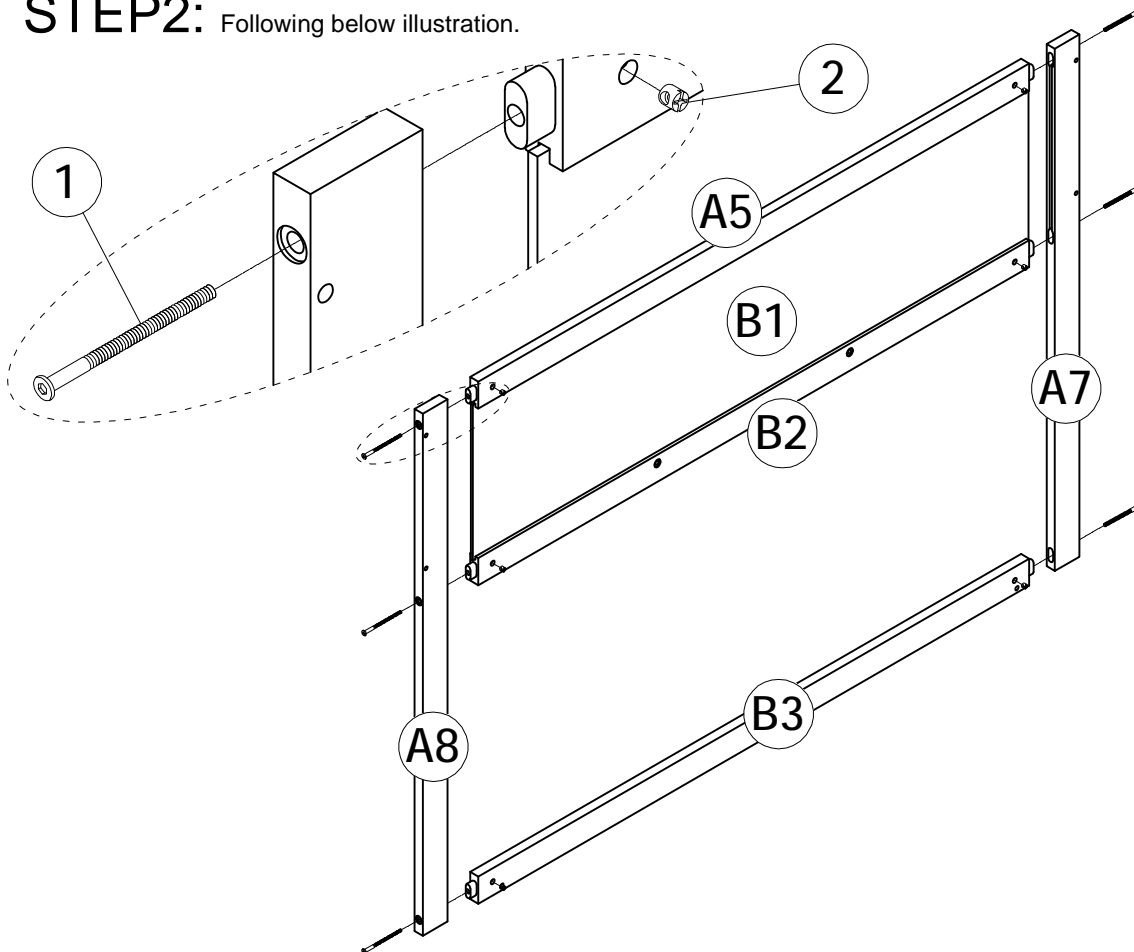
Assembly Tools Required (Not Included)

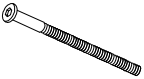

STEP1: Following below illustration.



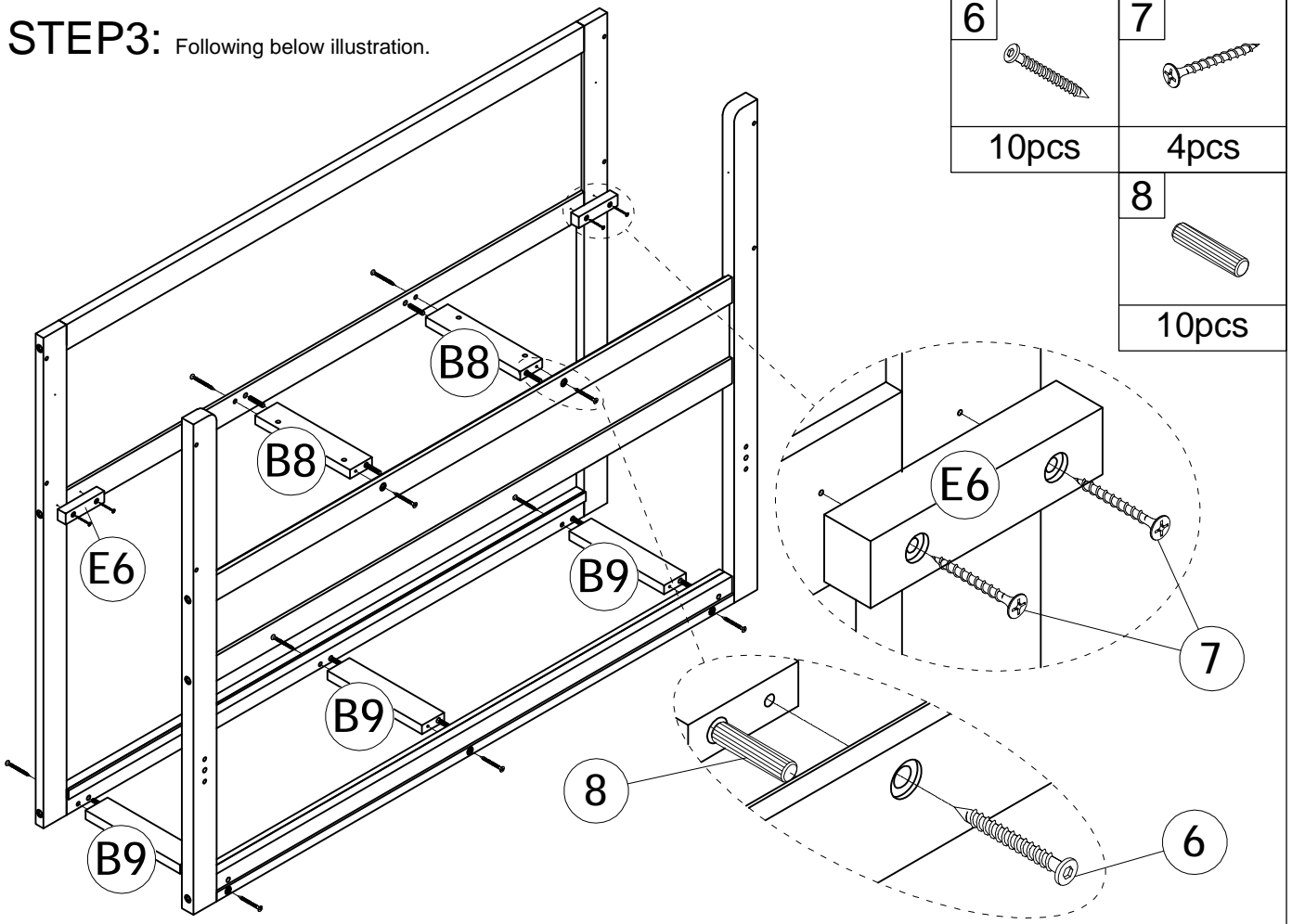
1	
6pcs	
2	
6pcs	



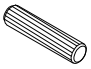
STEP2: Following below illustration.



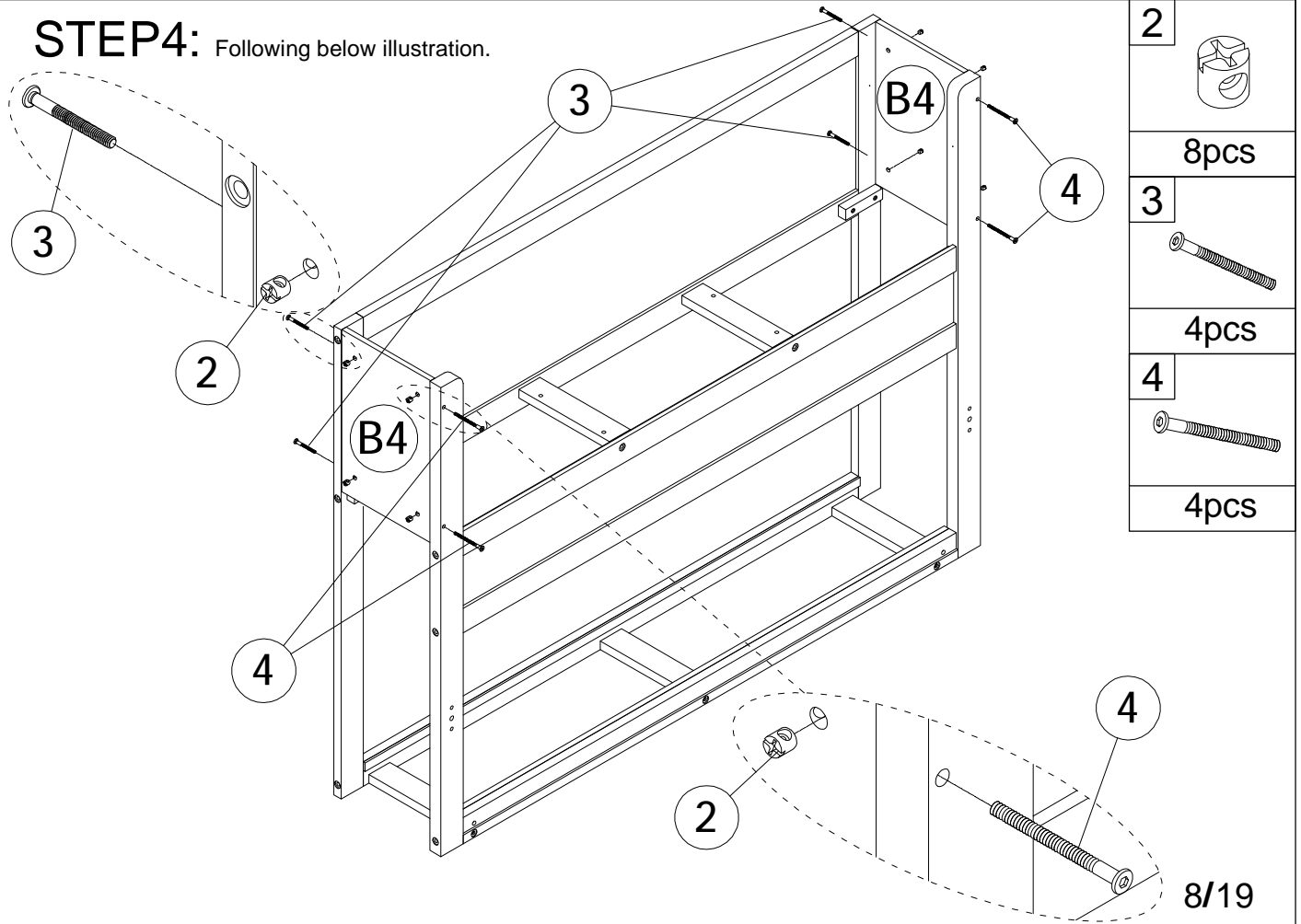
1	
6pcs	
2	
6pcs	




STEP3: Following below illustration.



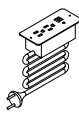

6		7	
10pcs		4pcs	
		8	
		10pcs	

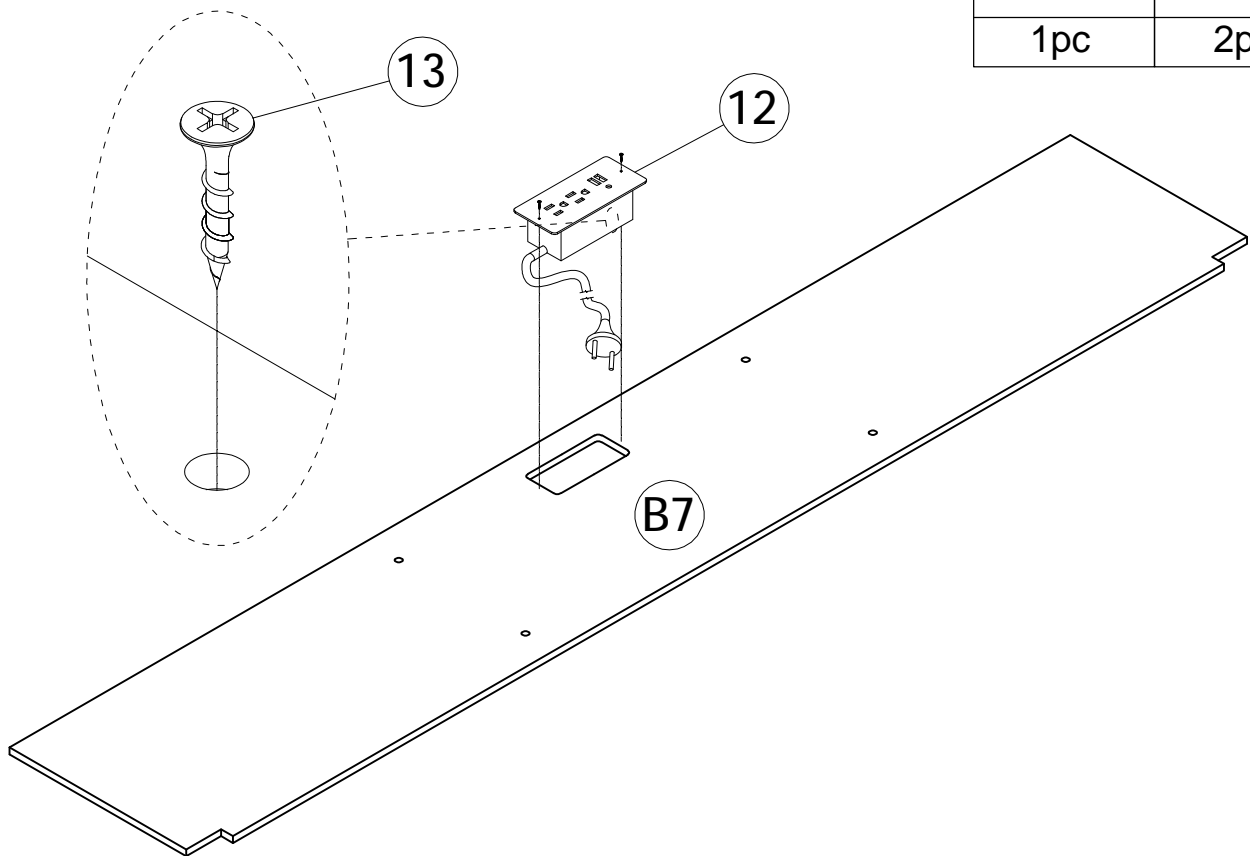
STEP4: Following below illustration.





2	
8pcs	
3	
4pcs	
4	
4pcs	

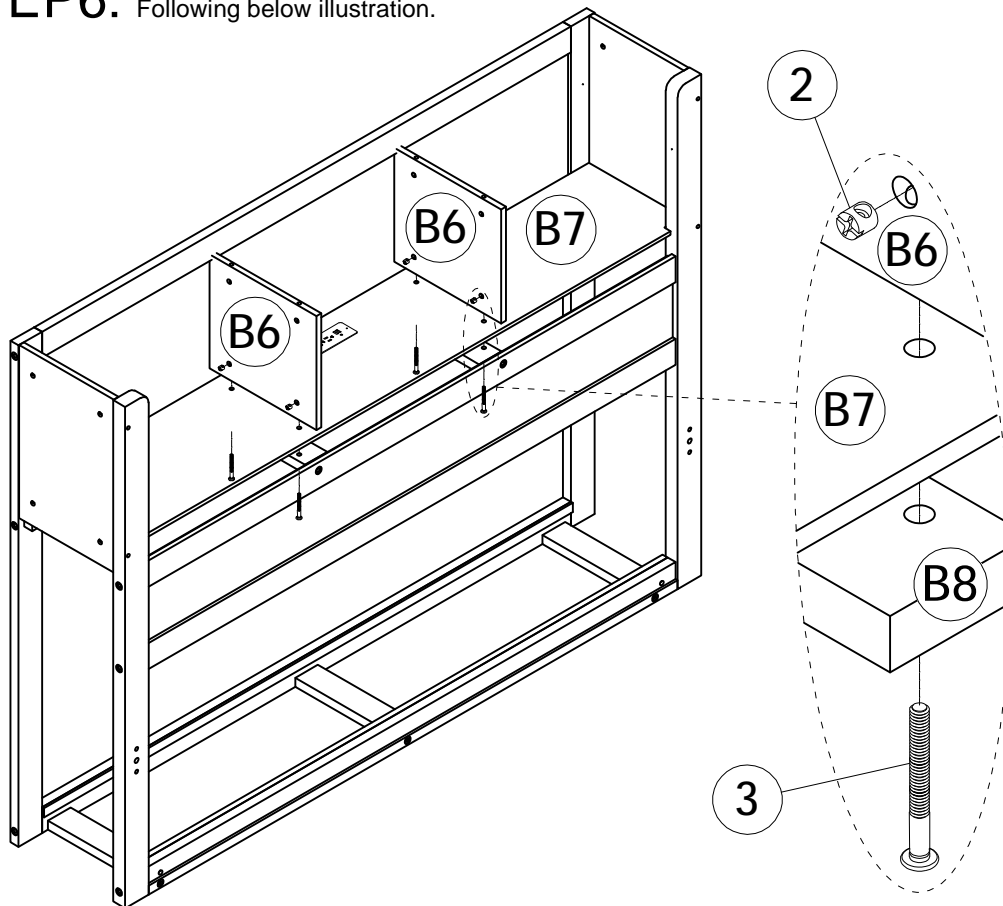
STEP5: Following below illustration.

12		13	
	1pc		2pcs

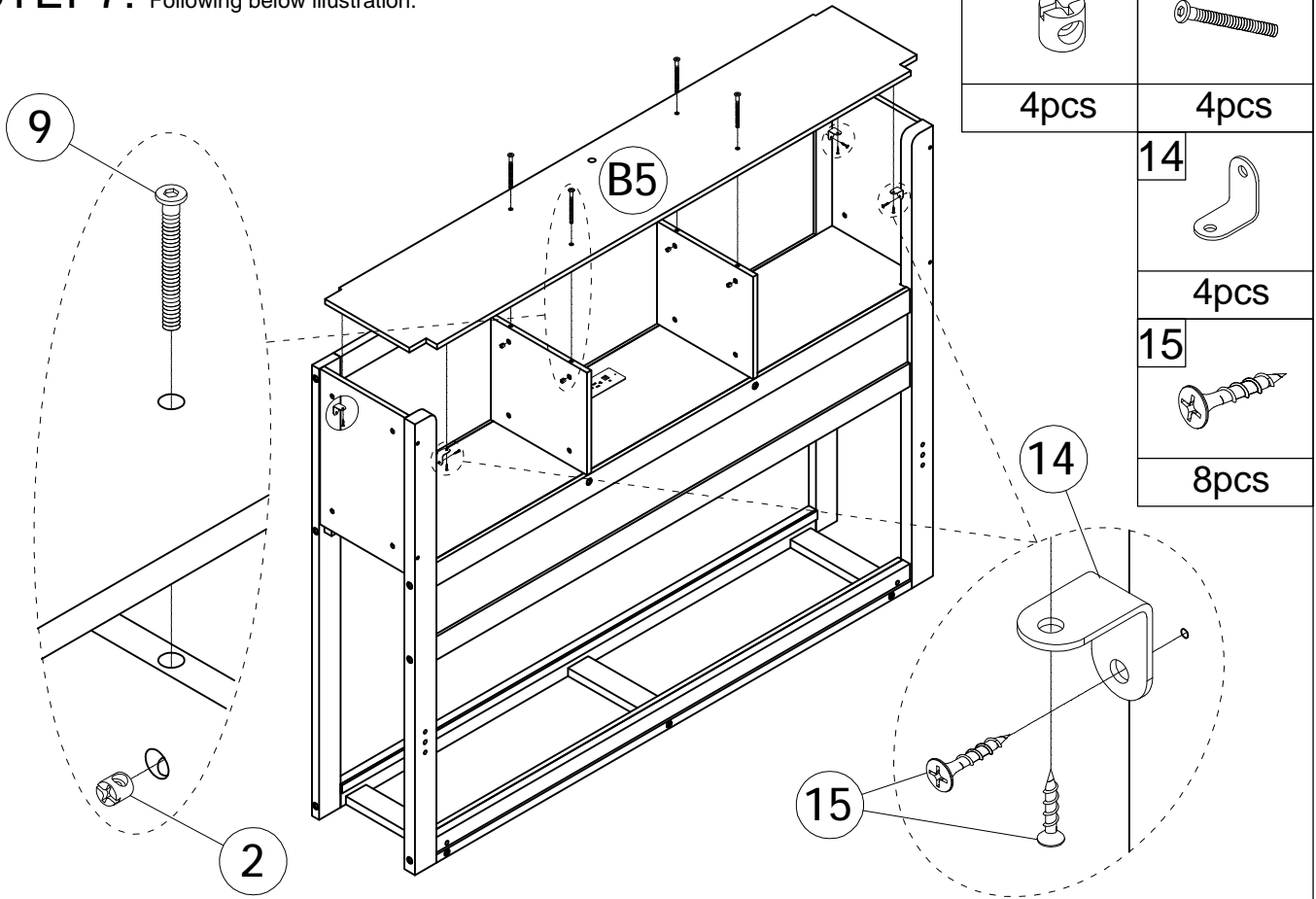


STEP6: Following below illustration.

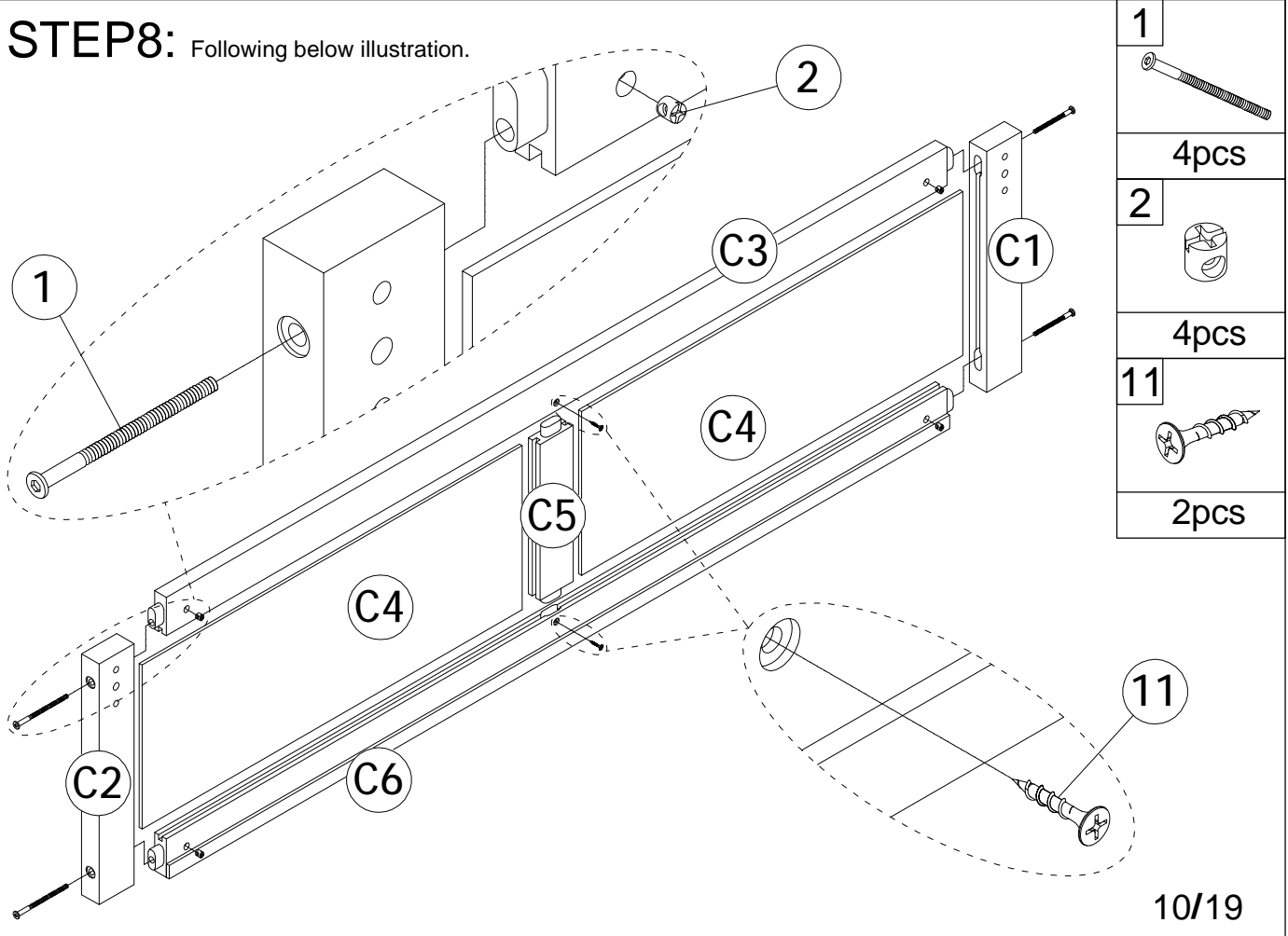
3	
	4pcs
2	
	4pcs



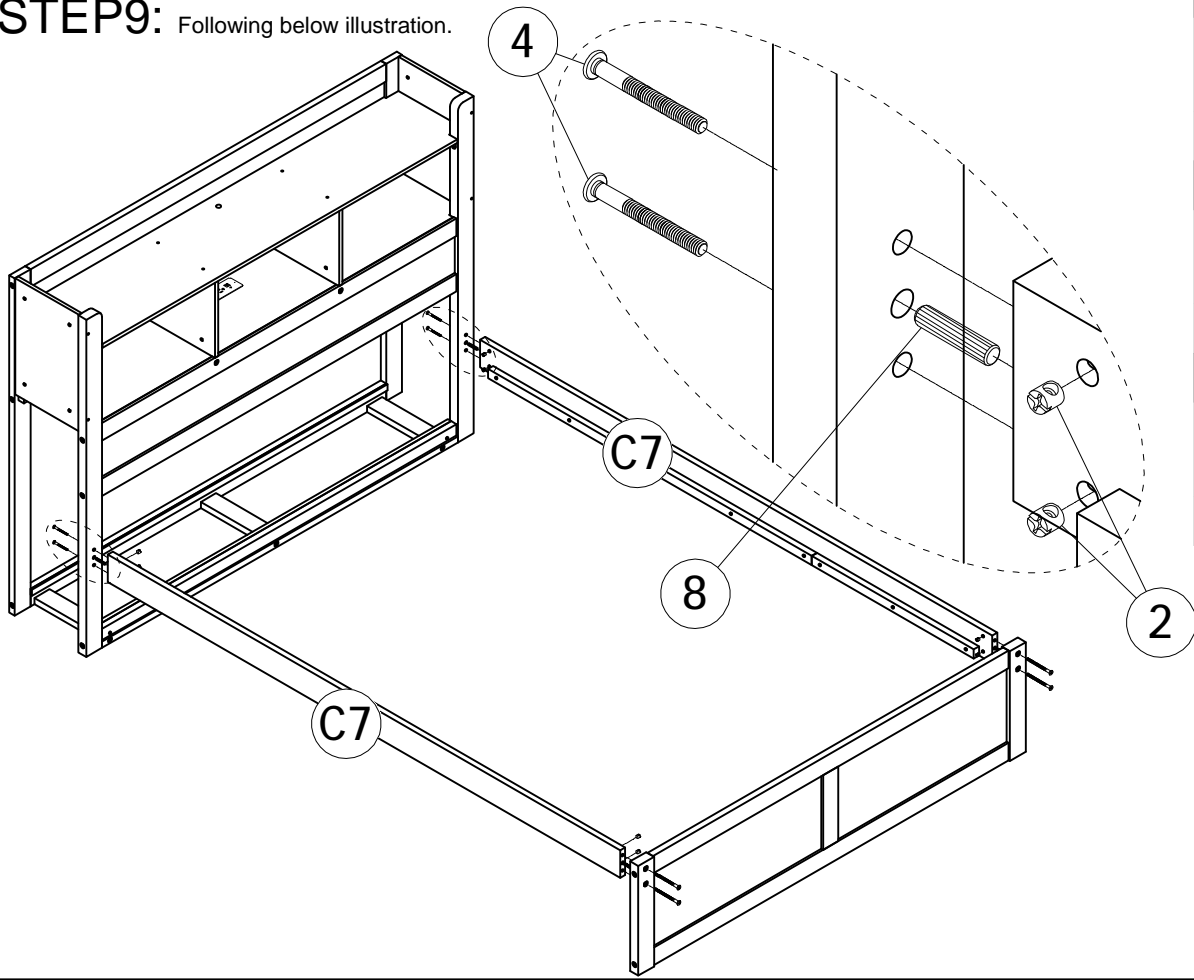
STEP7: Following below illustration.



STEP8: Following below illustration.

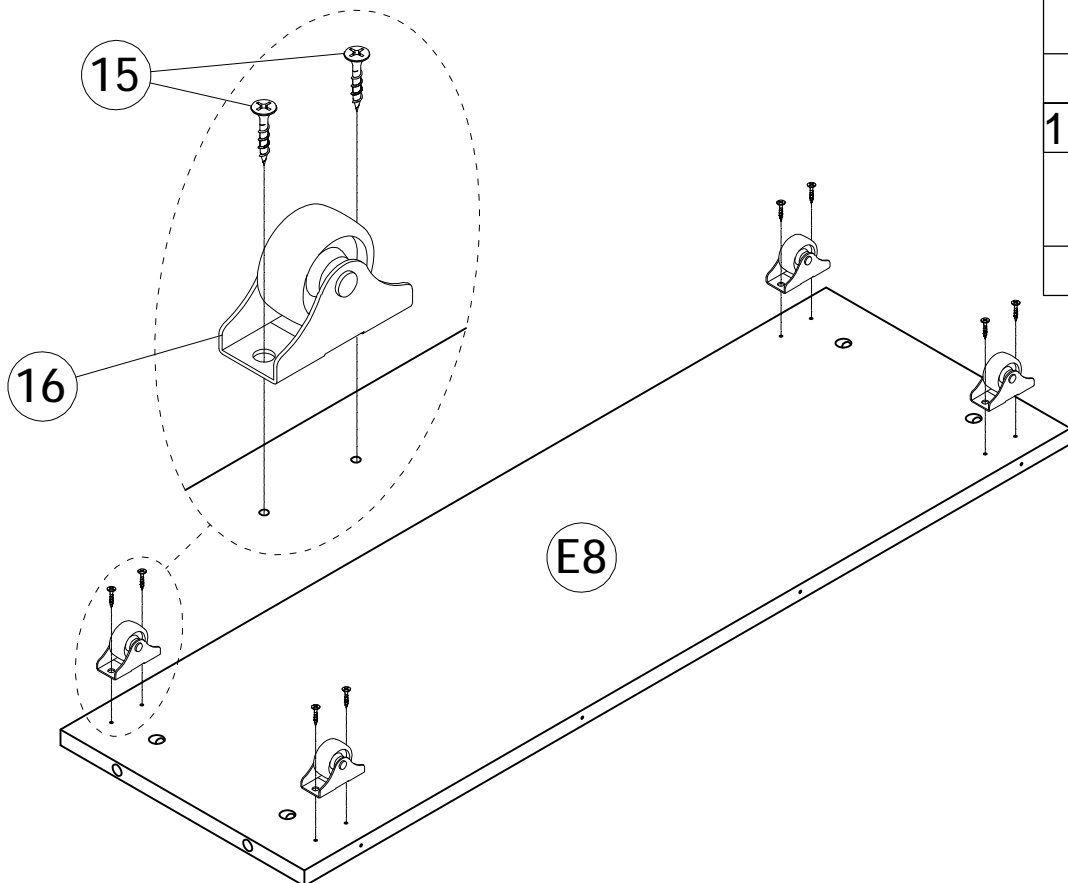


STEP9: Following below illustration.



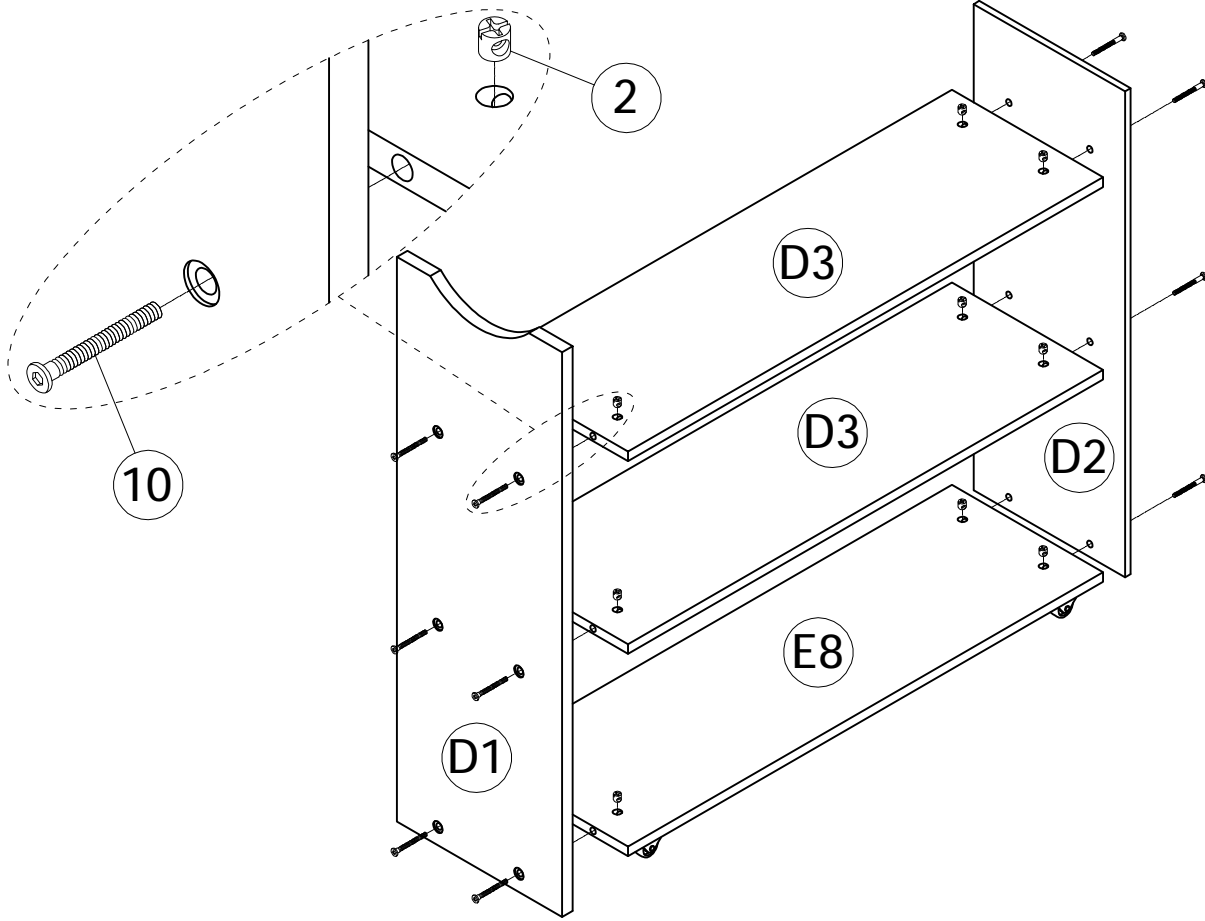
2	
8pcs	
4	
8pcs	
8	
4pcs	

STEP10:x2 Following below illustration.



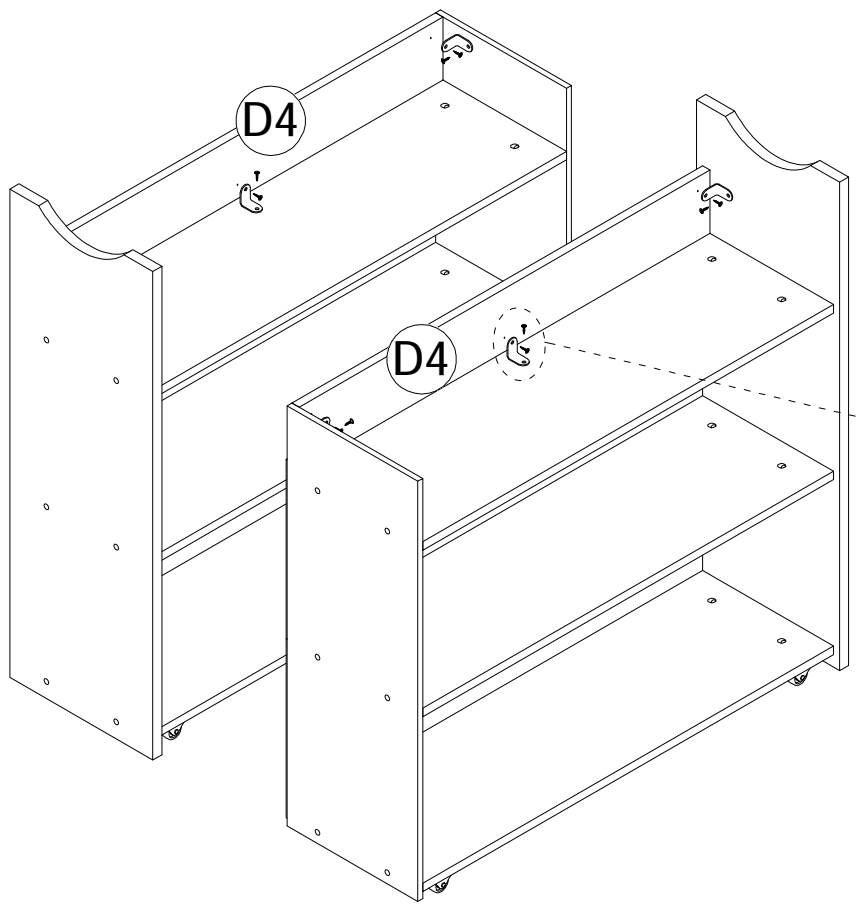
15	
16pcs	
16	
8pcs	

STEP11:x2 Following below illustration.



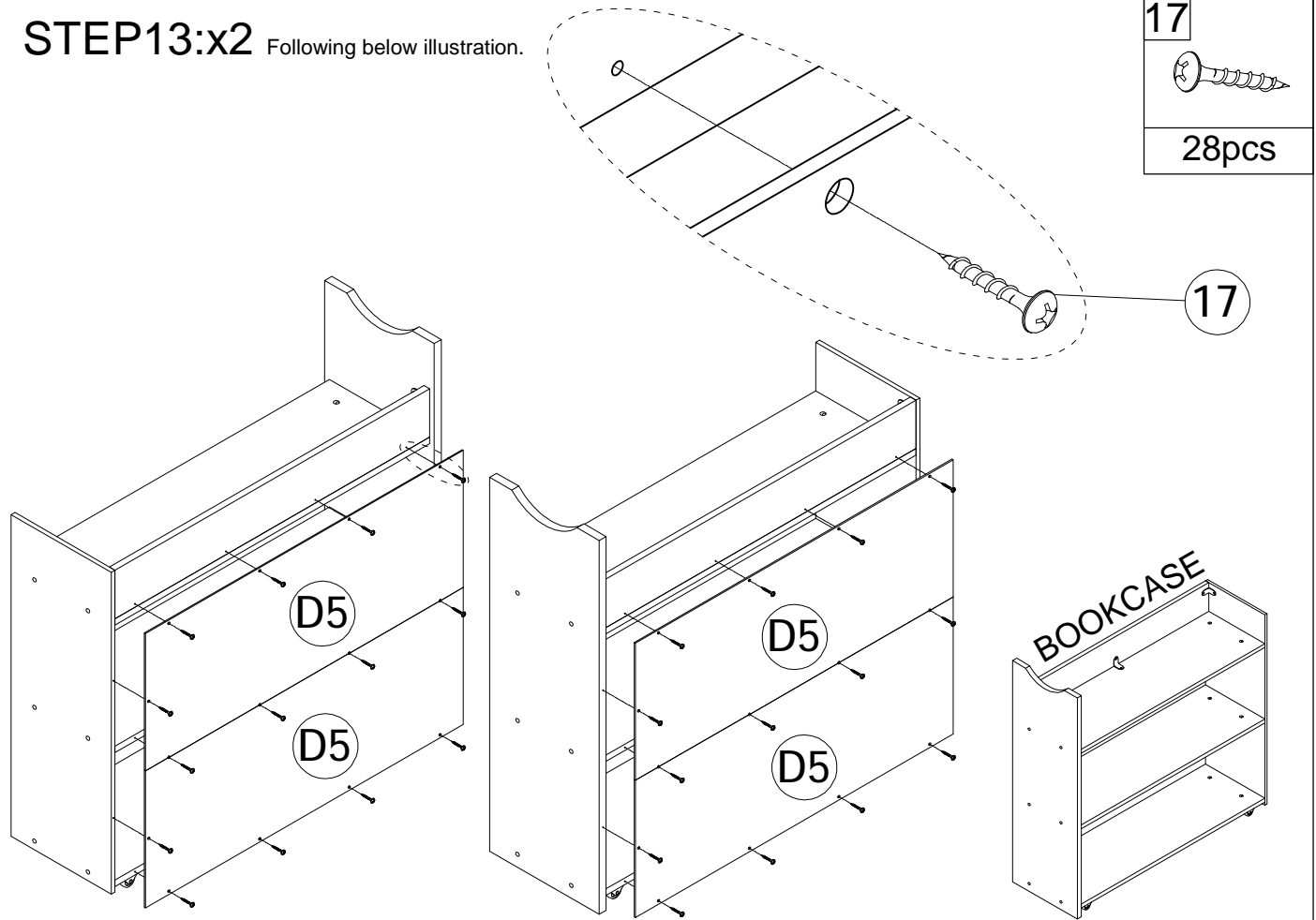
2	
24pcs	
10	
24pcs	

STEP12:x2 Following below illustration.

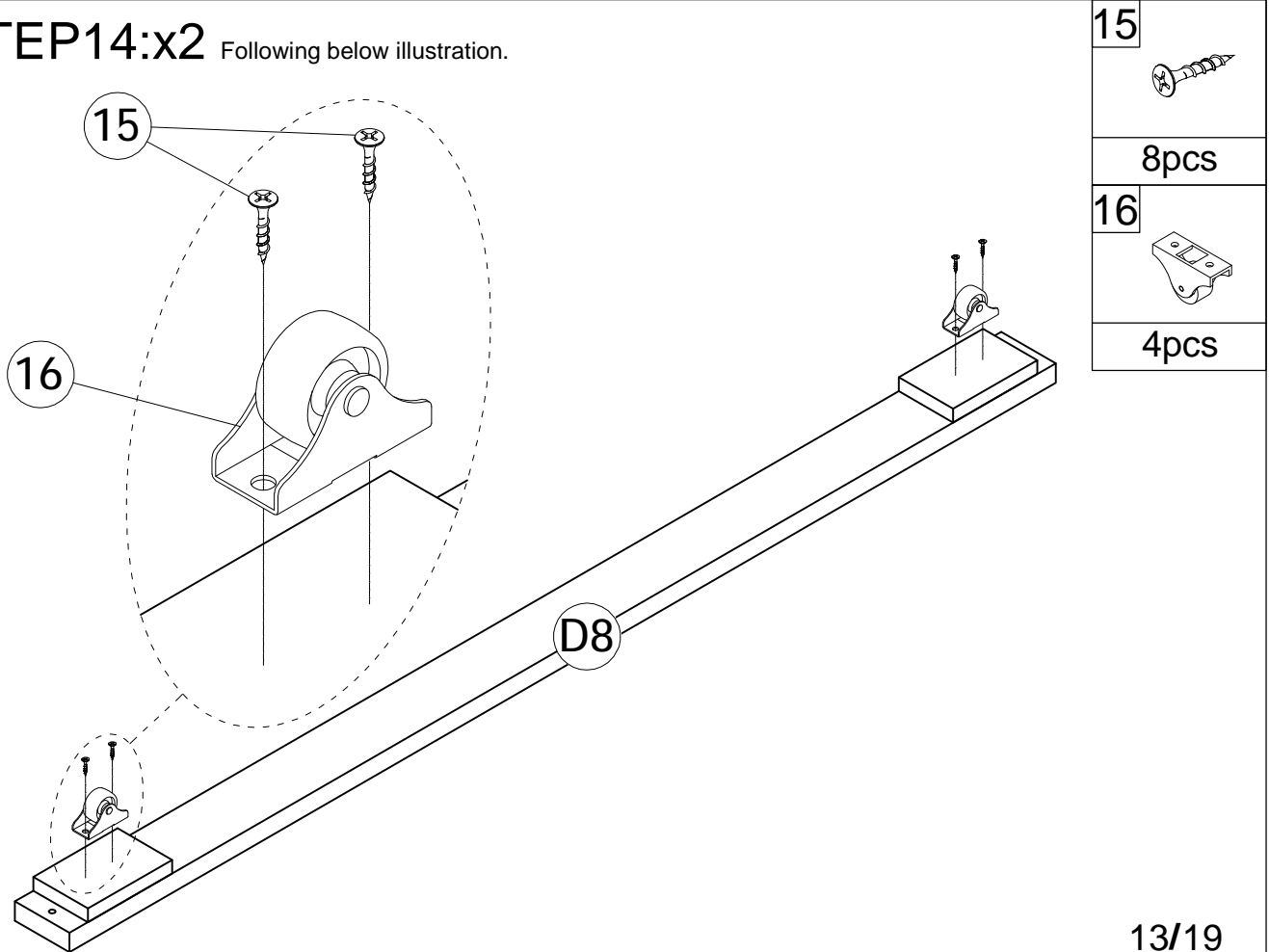


14	
6pcs	
21	
12pcs	

STEP13:x2 Following below illustration.



STEP14:x2 Following below illustration.

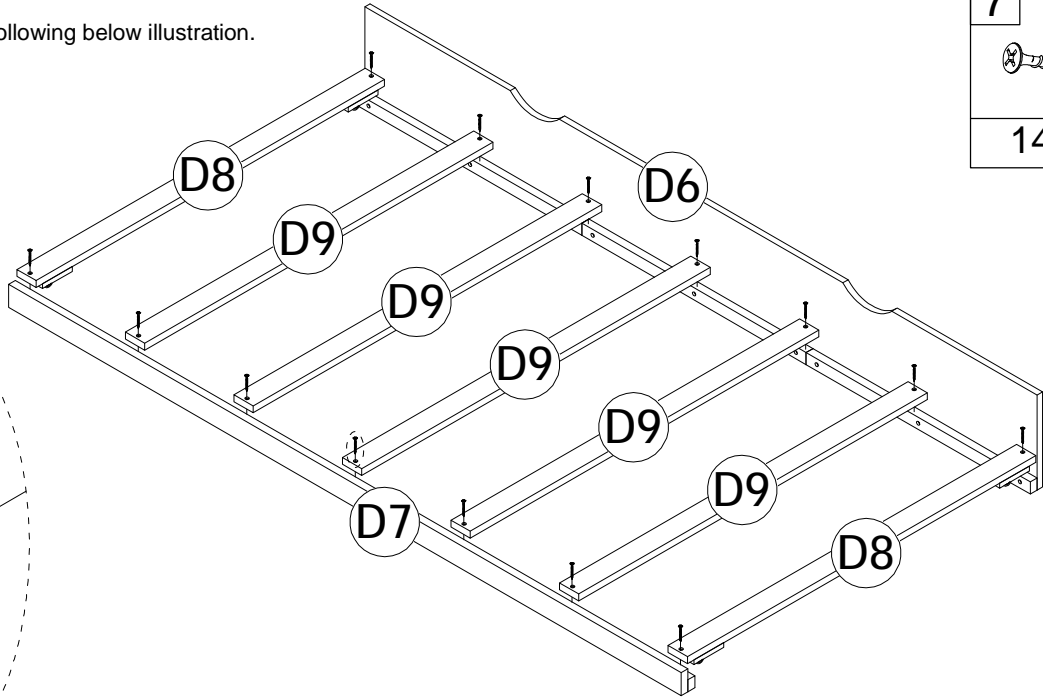
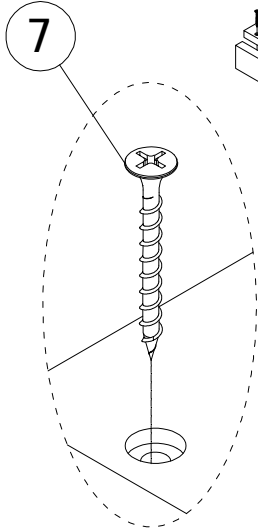


STEP15: Following below illustration.

7



14pcs



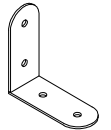
STEP16: Following below illustration.

11

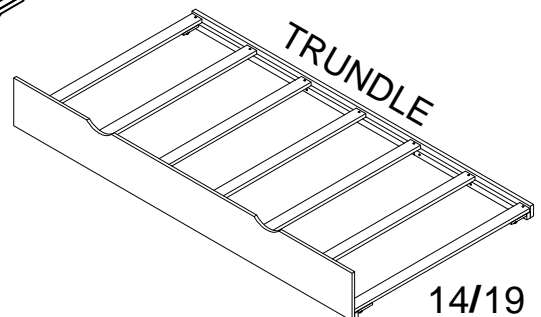
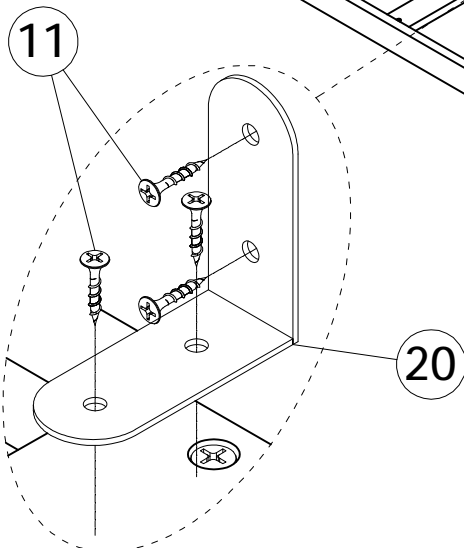
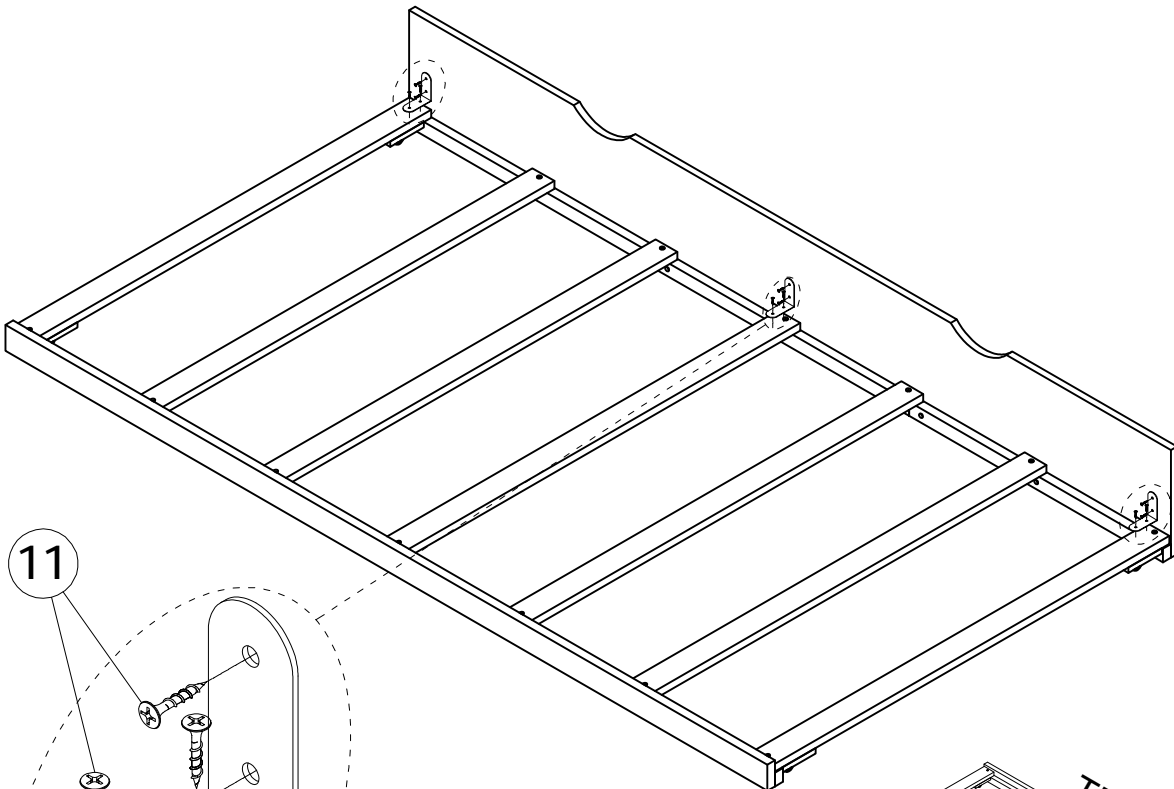


12pcs

20

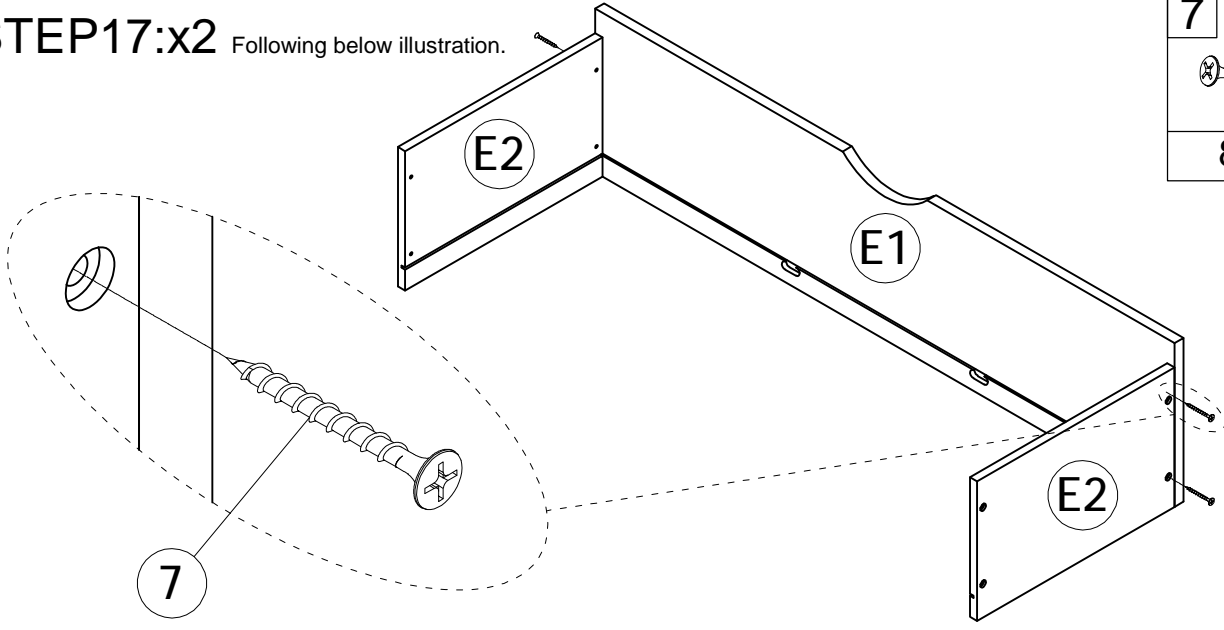



3pcs



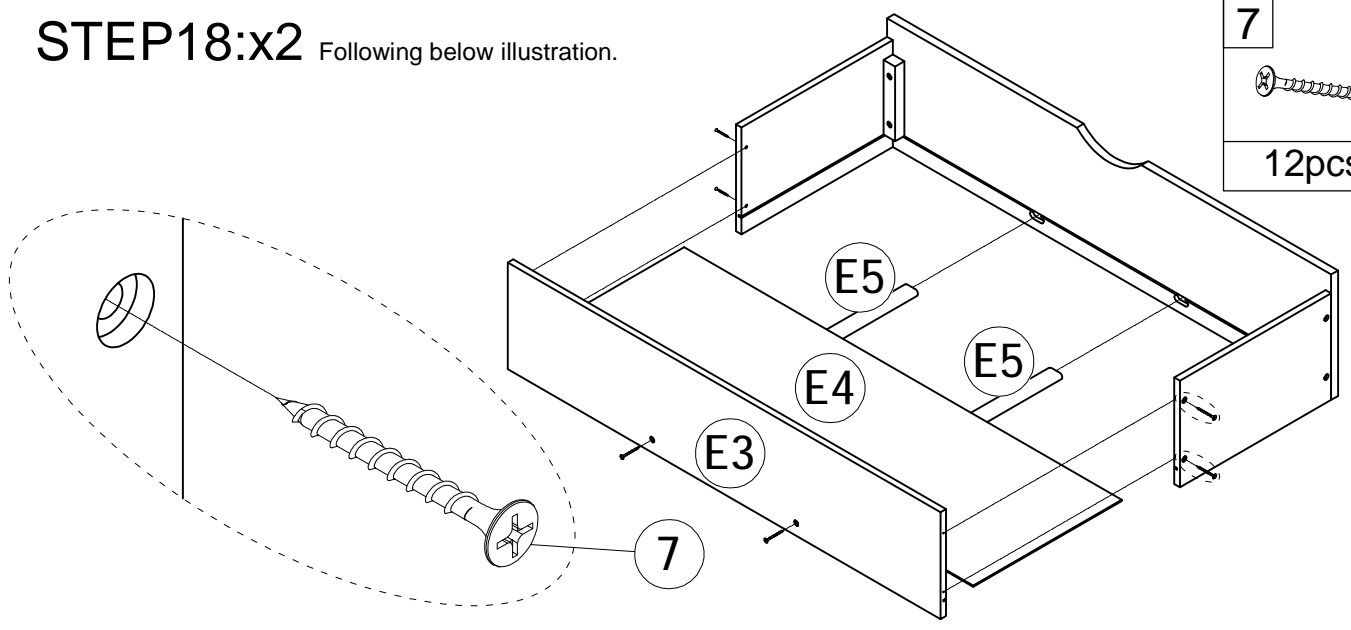
14/19


STEP17:x2 Following below illustration.



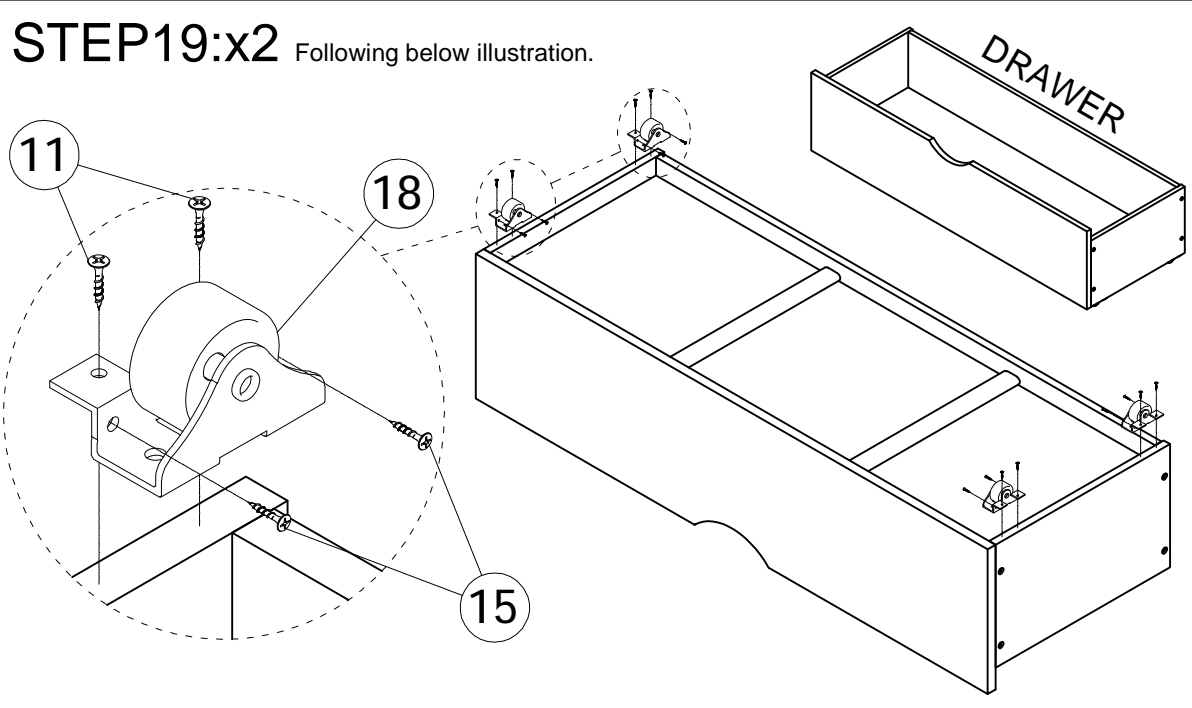
- 7 
- 8pcs


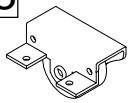
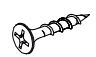
STEP18:x2 Following below illustration.



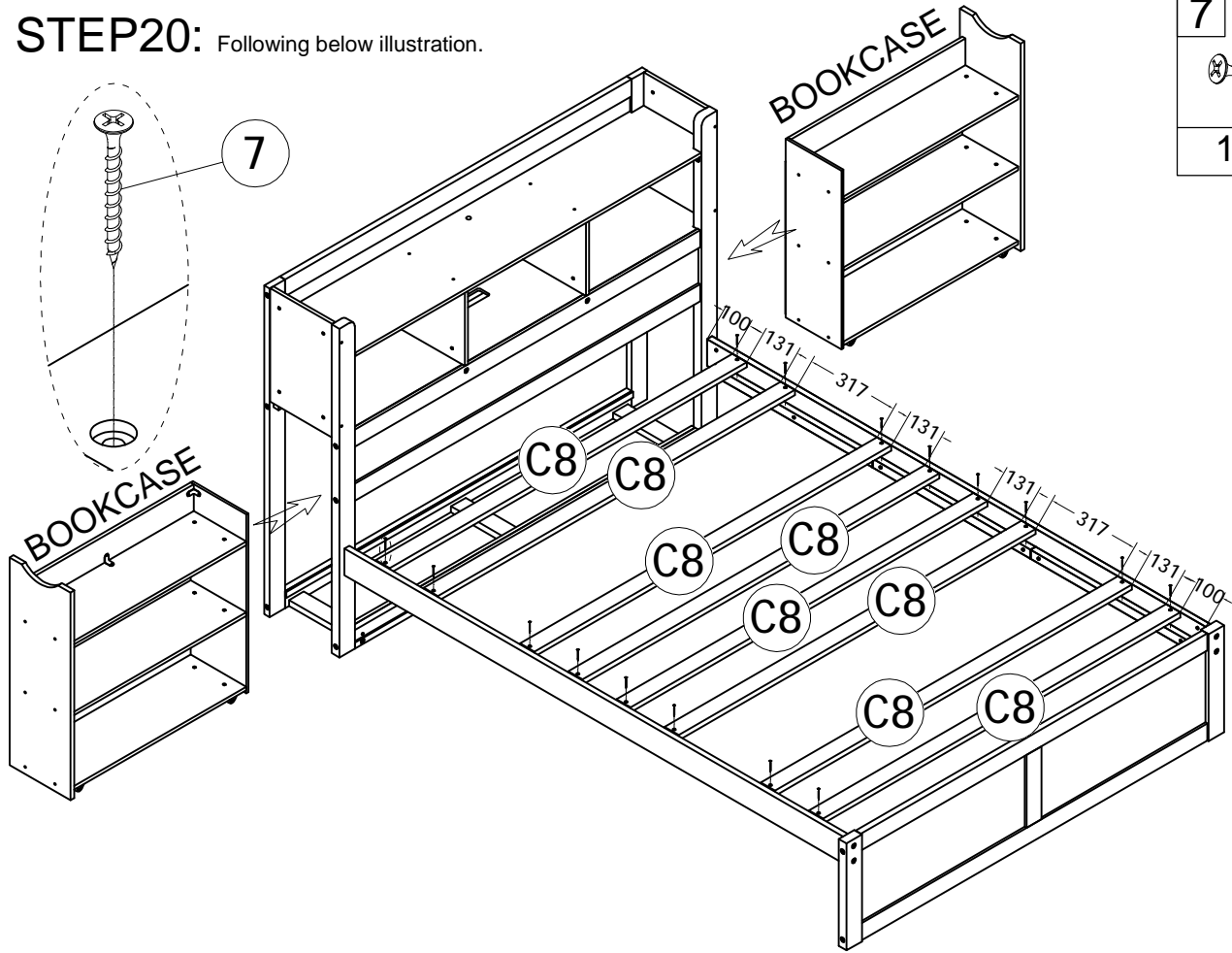
- 7 
- 12pcs

STEP19:x2 Following below illustration.



- 11 
- 16pcs
- 18 
- 8pcs
- 15 
- 16pcs

STEP20: Following below illustration.

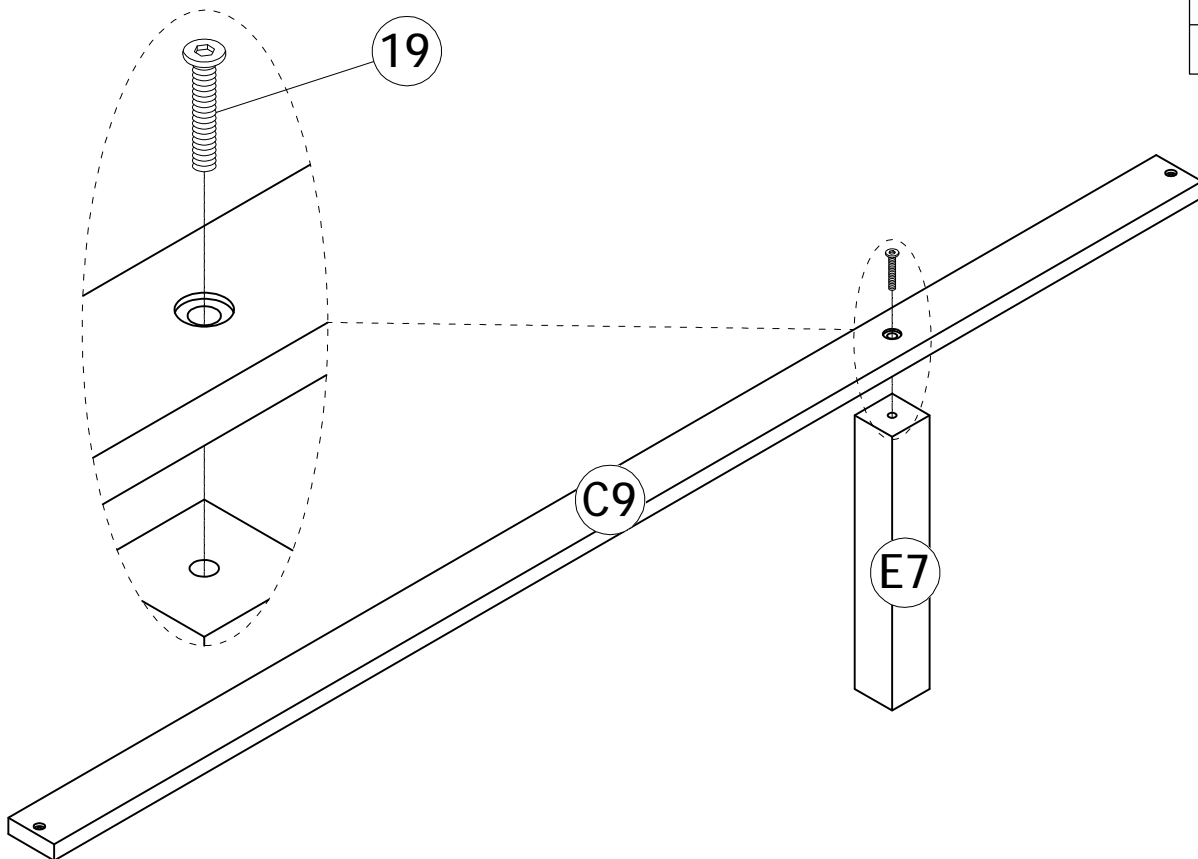


7

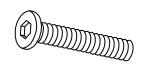


16pcs

STEP21:x2 Following below illustration.

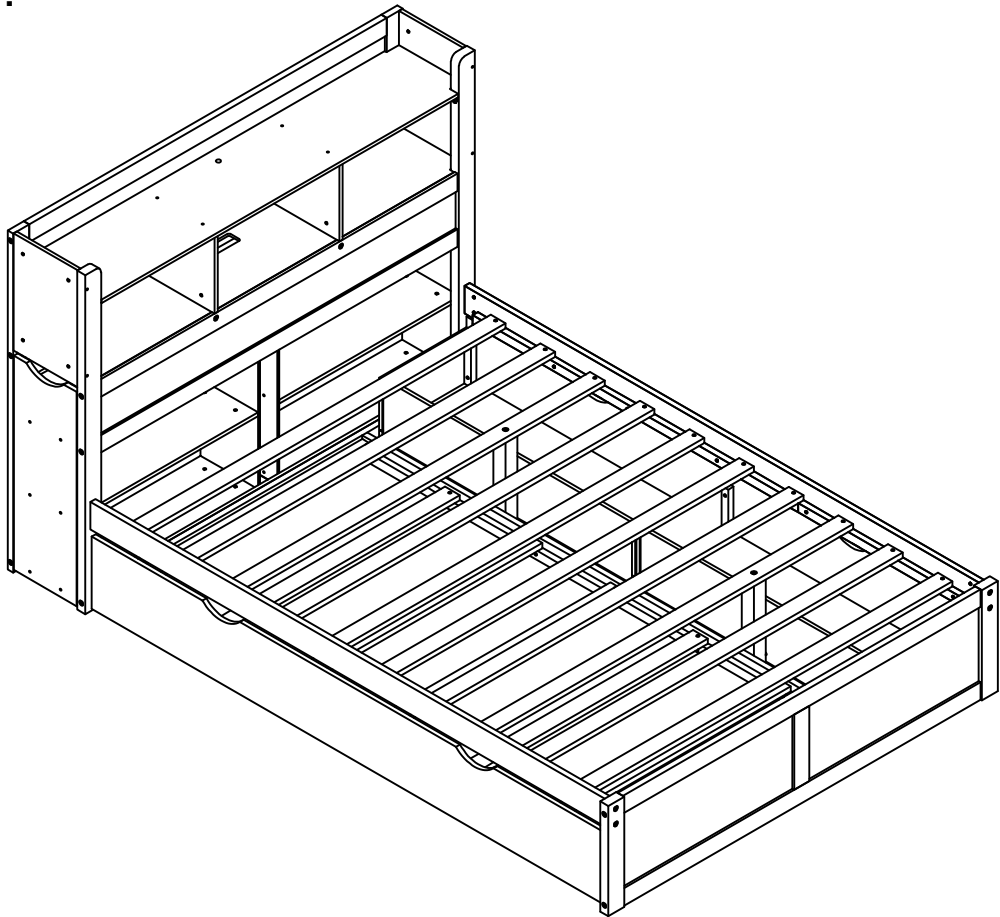


19



2pcs

OPTION 1:

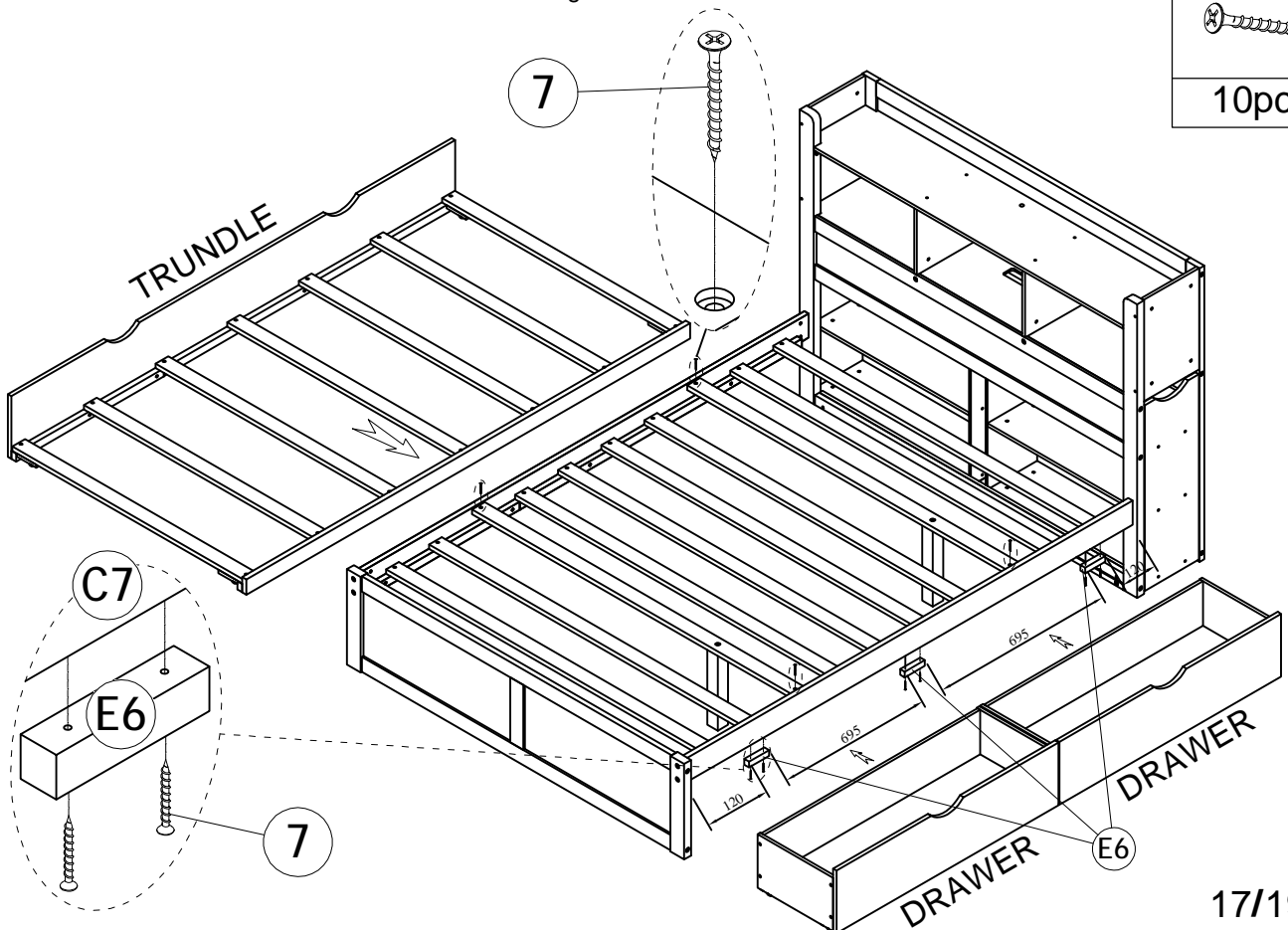


STEP22: OPTION 1 Following below illustration.

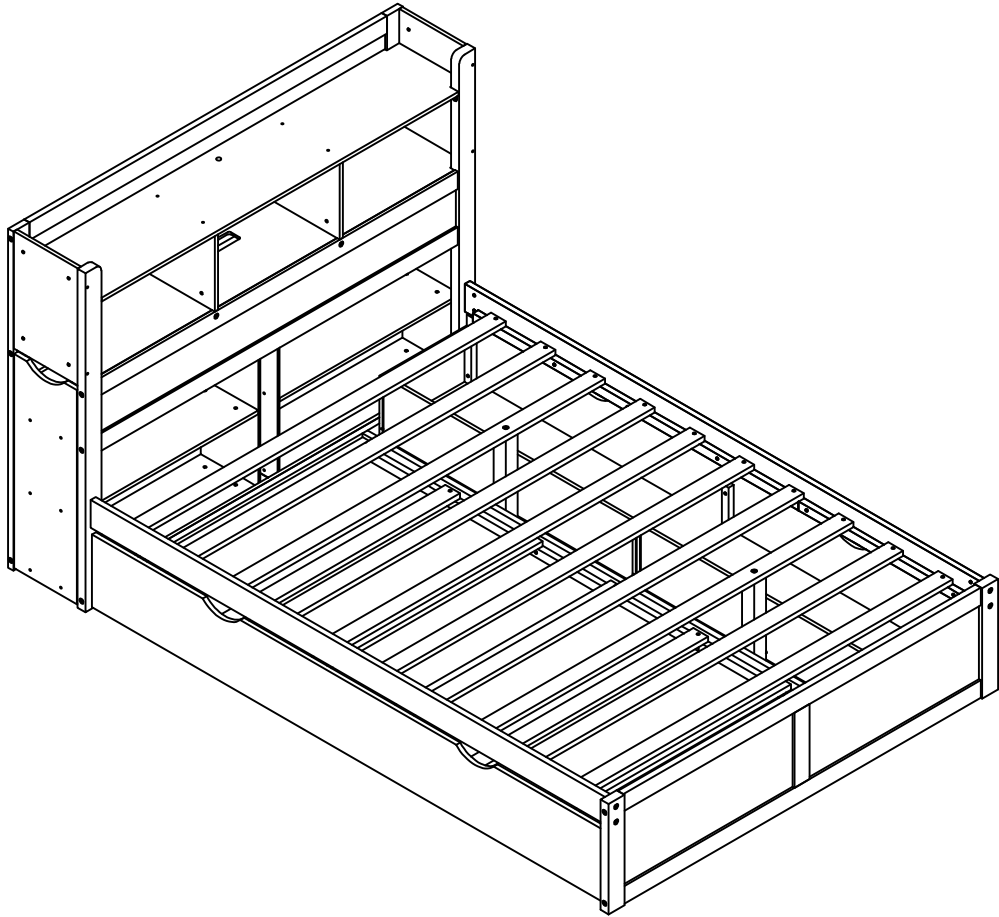
7



10pcs

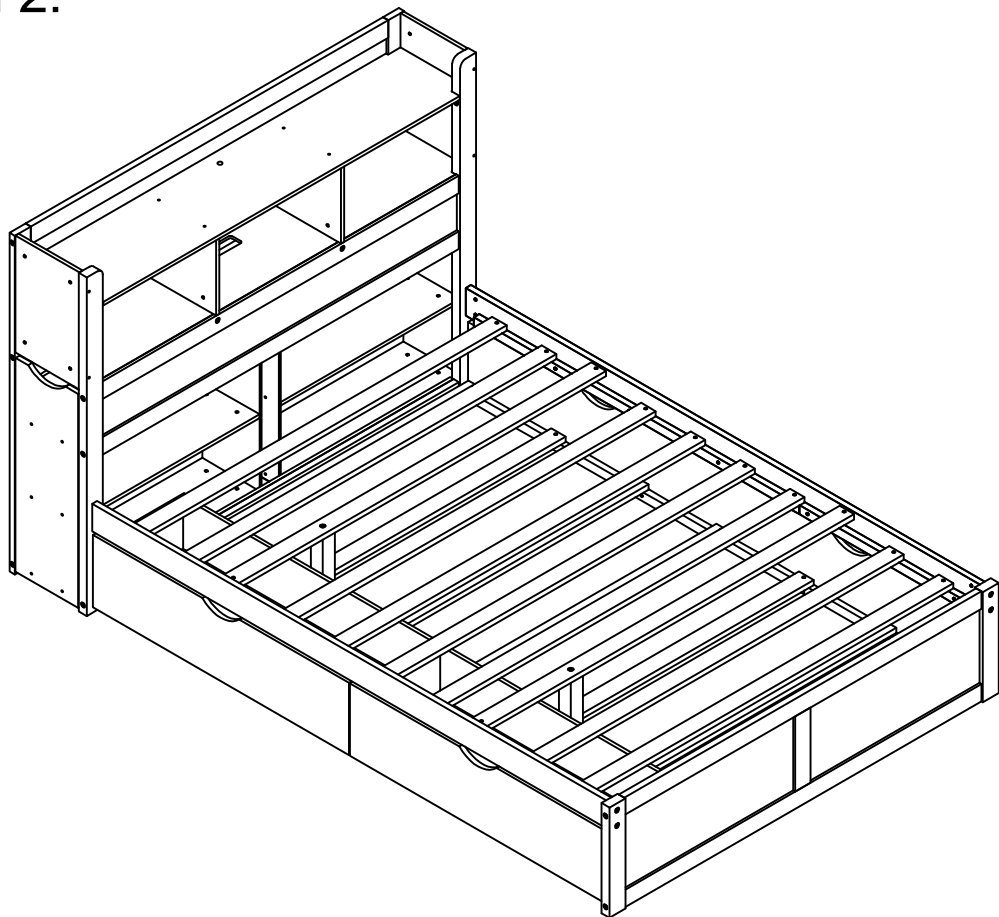


FINISH:




OPTION 1

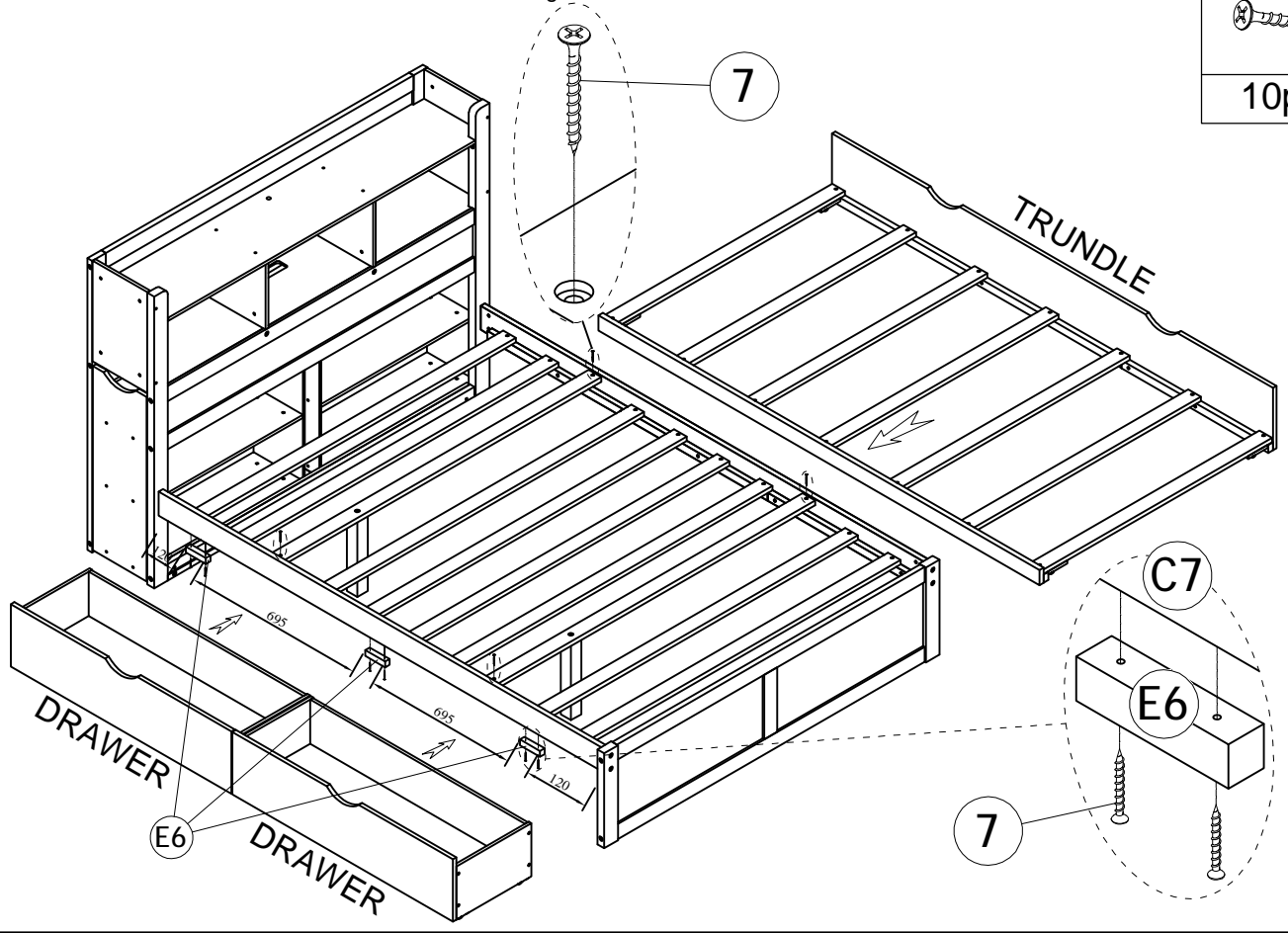
OPTION 2:



STEP22: OPTION 2

Following below illustration.

7

10pcs



FINISH:

