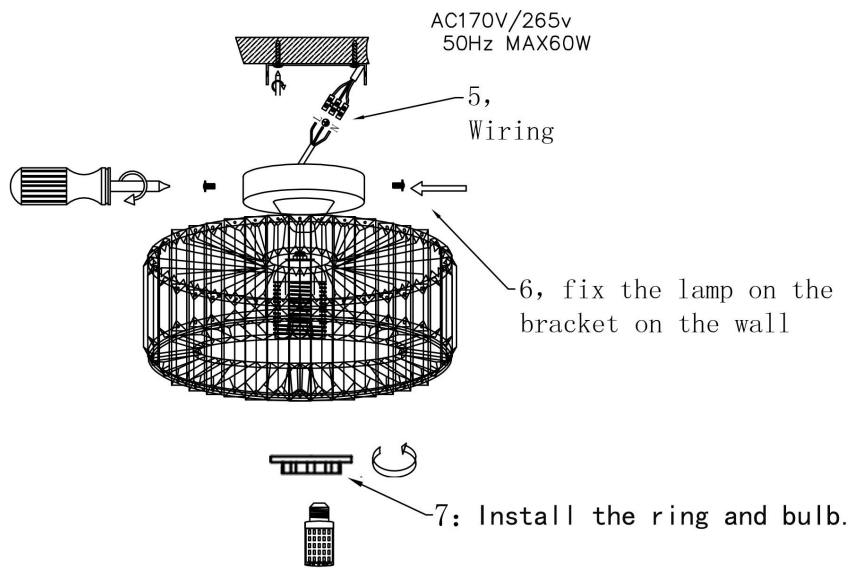
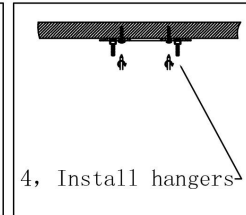
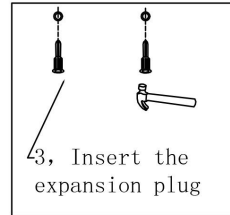
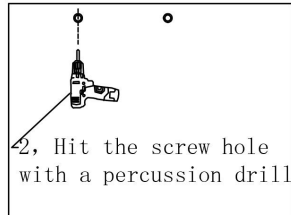
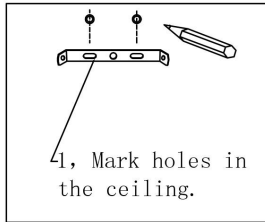


ASSEMBLE INSTRUCTION



Install Steps:

- | | |
|---|--|
| 1, Mark holes in the ceiling. | 5, Wiring |
| 2, Hit the screw hole with a percussion drill | 6, fix the lamp on the bracket on the wall |
| 3, Insert the expansion plug | 7, Install the bulb |
| 4, Install hangers | |