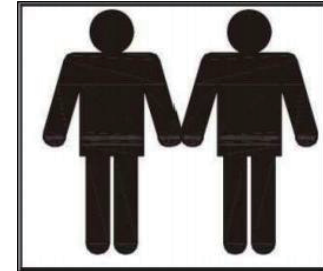
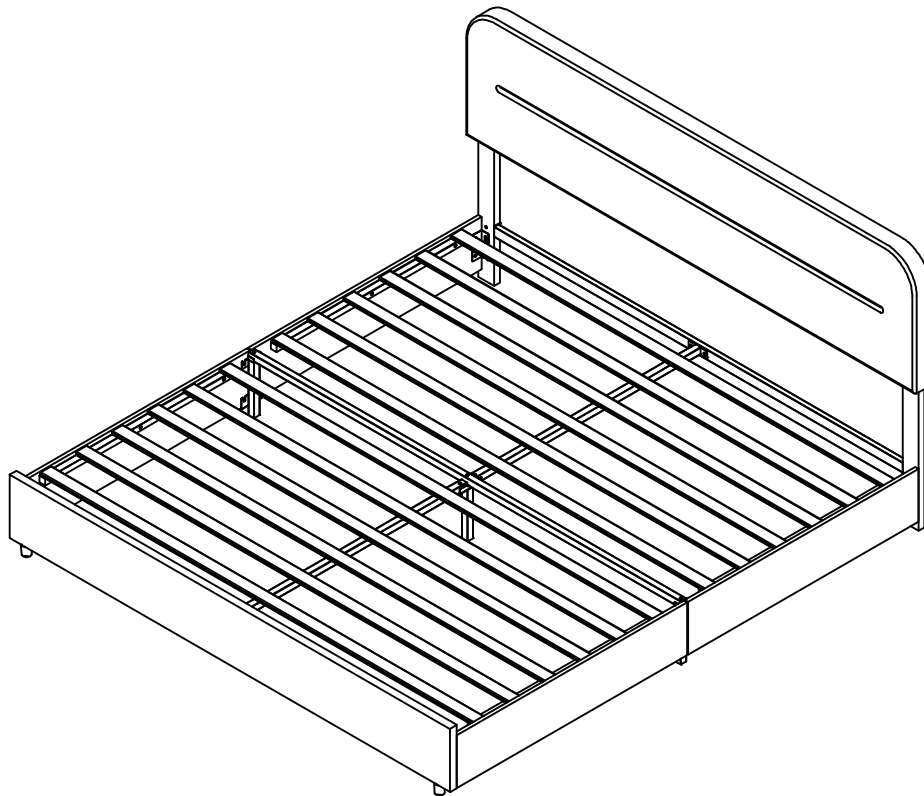


Assembly Instruction

Note:

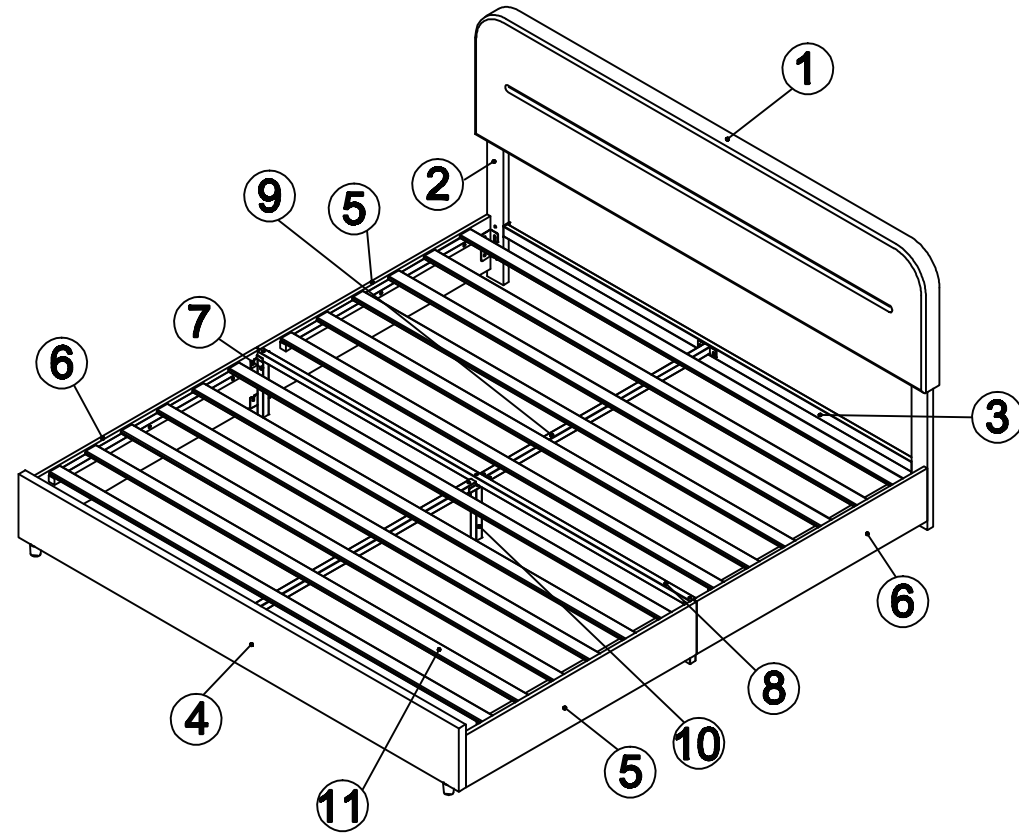
- 1. Should be assembled on flat ground to keep balance.**
- 2. Before completing the installation, do not tighten the screws.**



It needs at least two people to install.







Before starting the assembly, you must read the whole manual and follow the instructions.




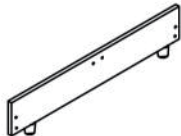






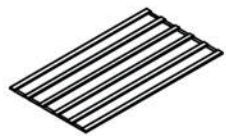



Assembly Instruction



Hardware arts

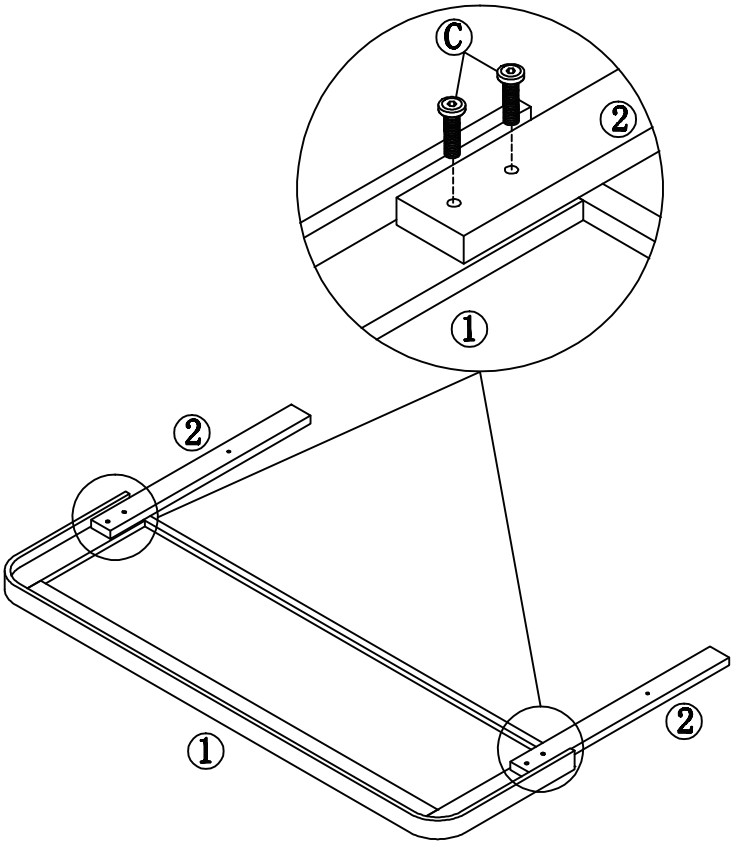
 <p>Ⓐ M8*20 32PCS</p>	 <p>Ⓑ M8x35 4pcs</p>	 <p>Ⓒ M8x45 5pcs</p>	 <p>Ⓓ 4# 1pc</p>	/	/	/
--	---	---	---	---	---	---



Part list

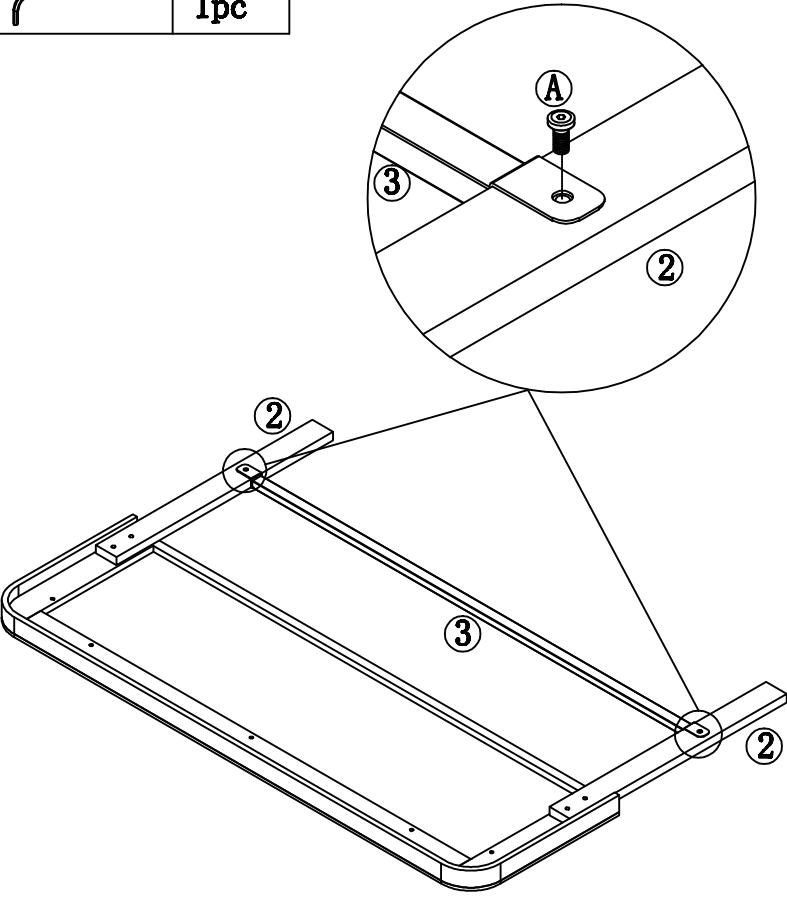
 <p>Ⓚ 1 PC</p>	 <p>Ⓛ 2 PCS</p>	 <p>Ⓜ 1 PC</p>	 <p>Ⓨ 1 PC</p>	 <p>Ⓩ 2 PCS</p>	 <p>ⓐ 2 PCS</p>	 <p>ⓑ 2 PCS</p>
 <p>Ⓒ 1 PC</p>	 <p>Ⓓ 2 PCS</p>	 <p>Ⓔ 1 PC</p>	 <p>Ⓕ 2 PCS</p>	 <p>Ⓖ 4 PCS</p>	/	/
/	/	/	/	/	/	<p>Page 3/8</p>

Assembly Instruction

C	 M8x45	4pc
D		1pc



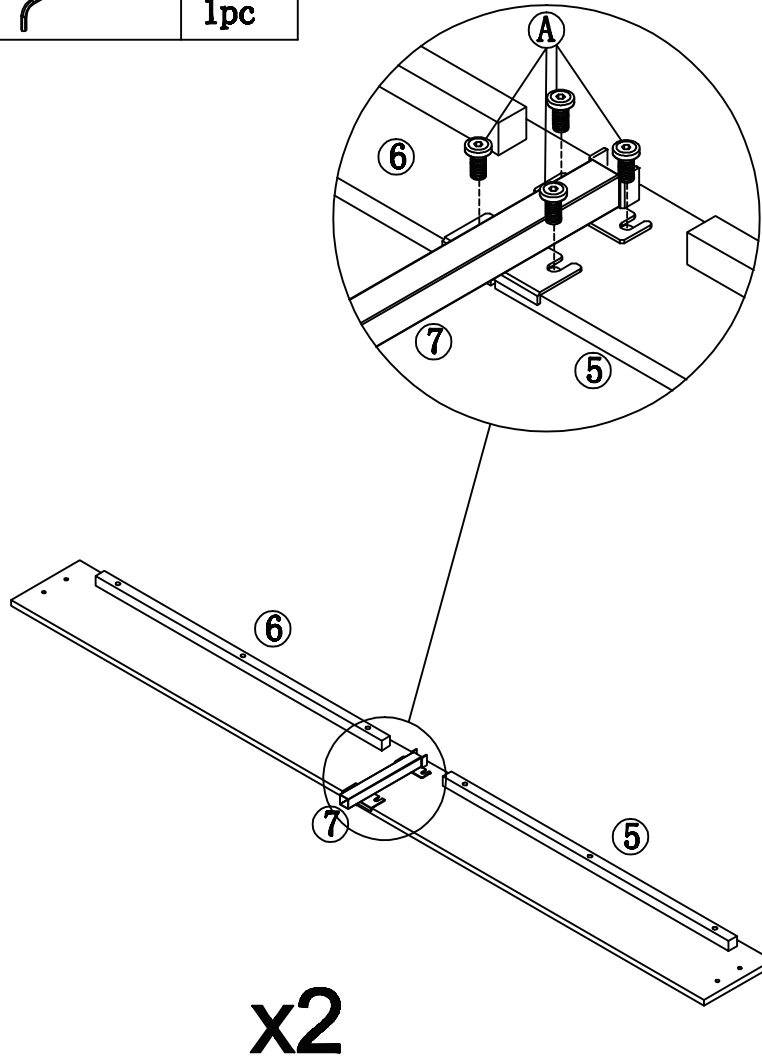
A	 M8x20	2pc
D		1pc




Assembly Instruction

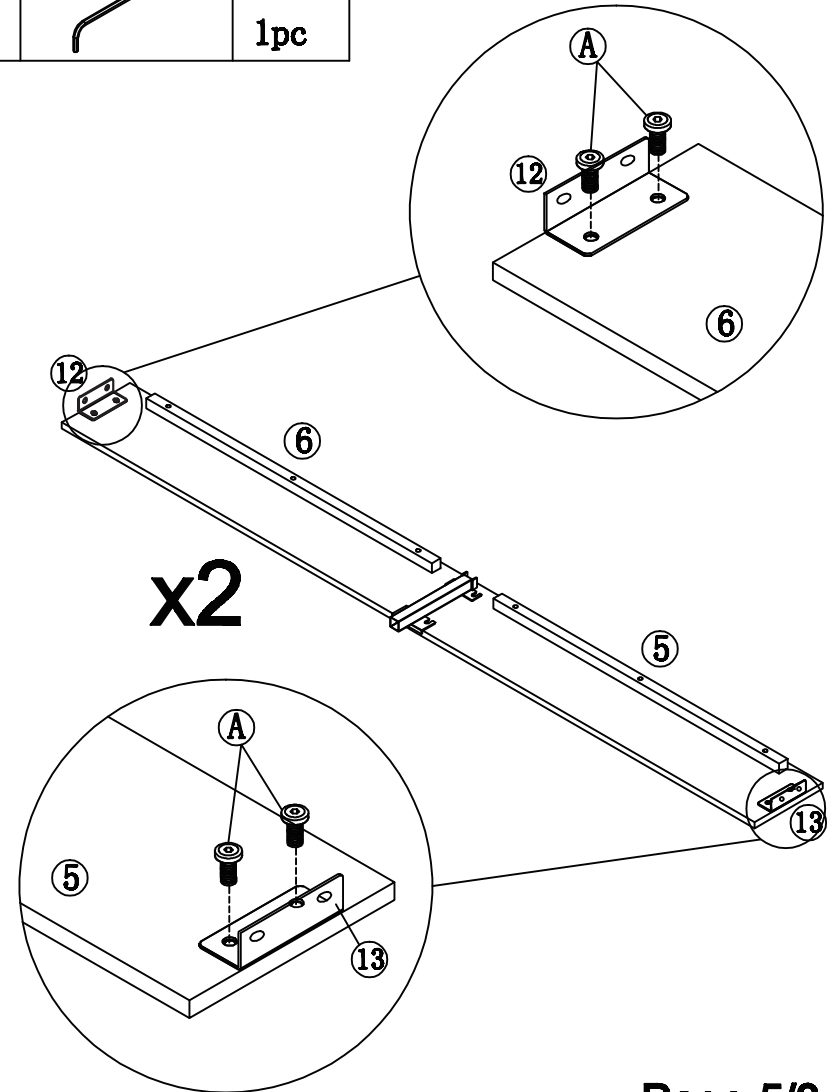
A  M8x 20 8pcs

D  1pc



A  M8x20 8pcs

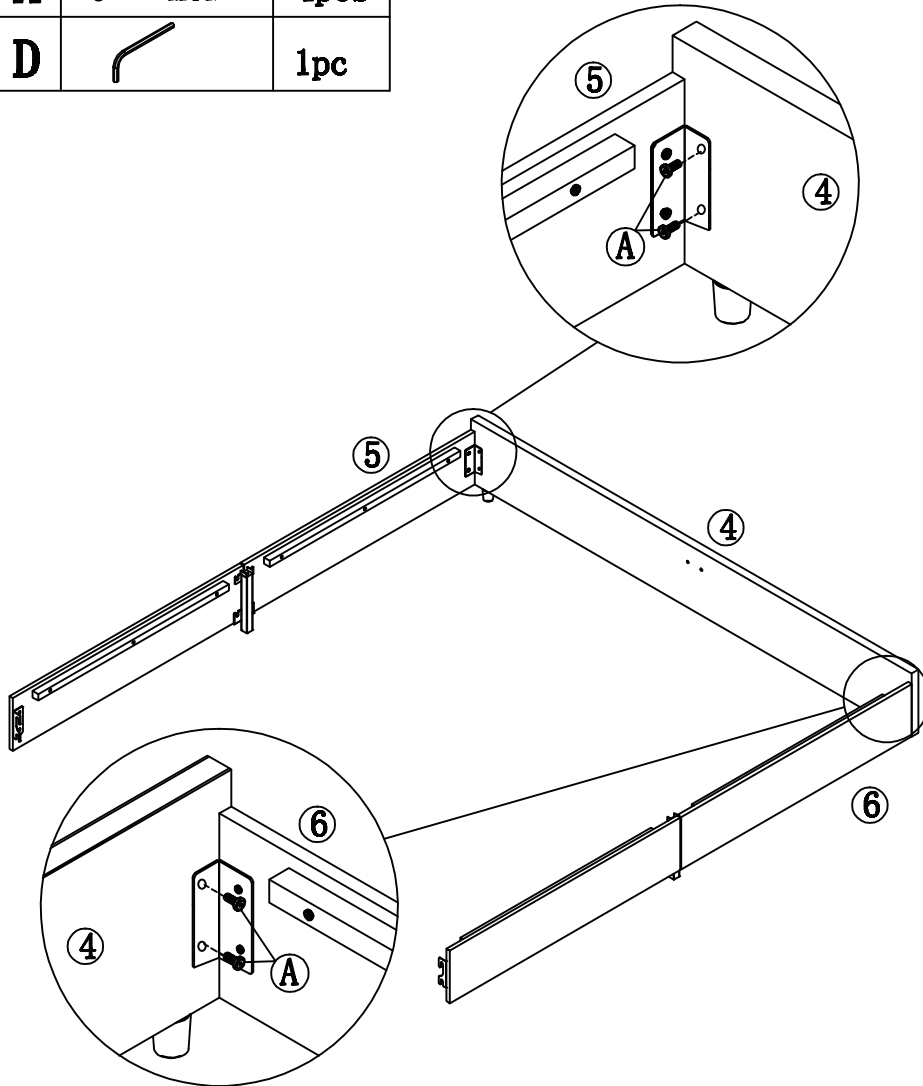
D  1pc



Assembly Instruction

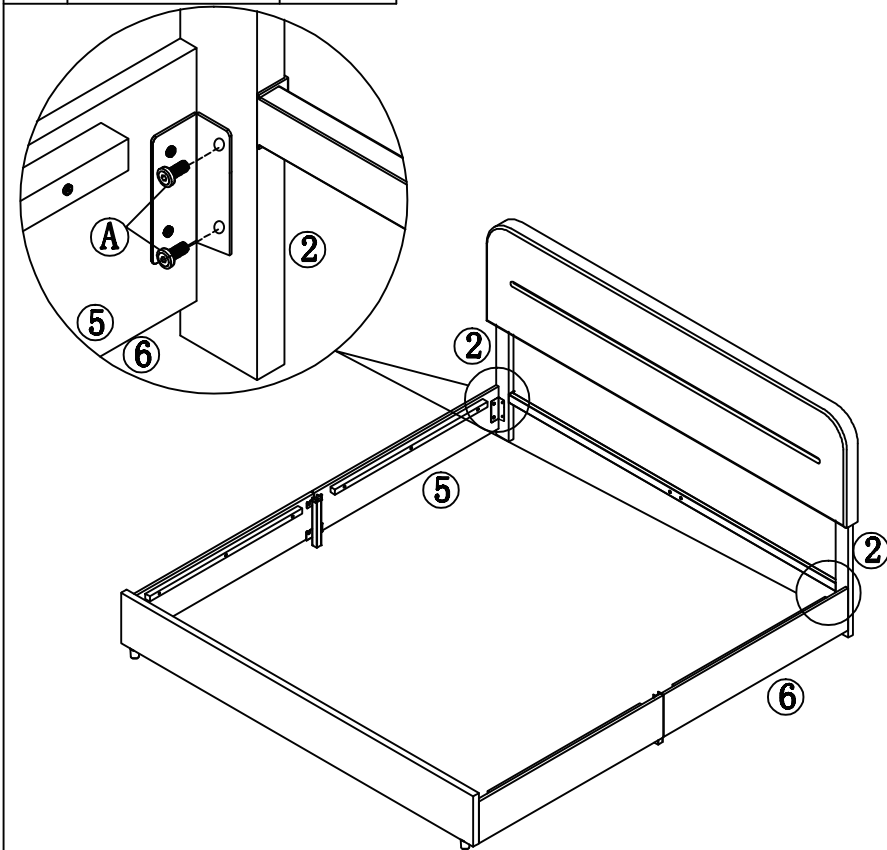
A  **M8x20** **4pcs**

D  **1pc**






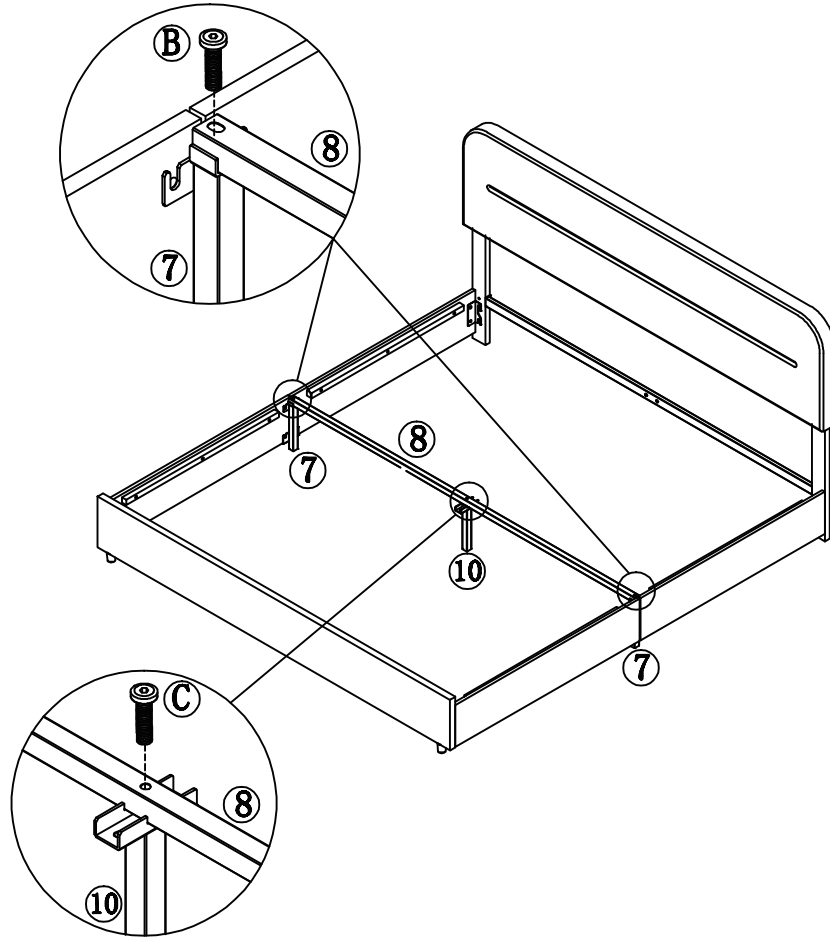
A  **M8x20** **4pcs**




D  **1pc**

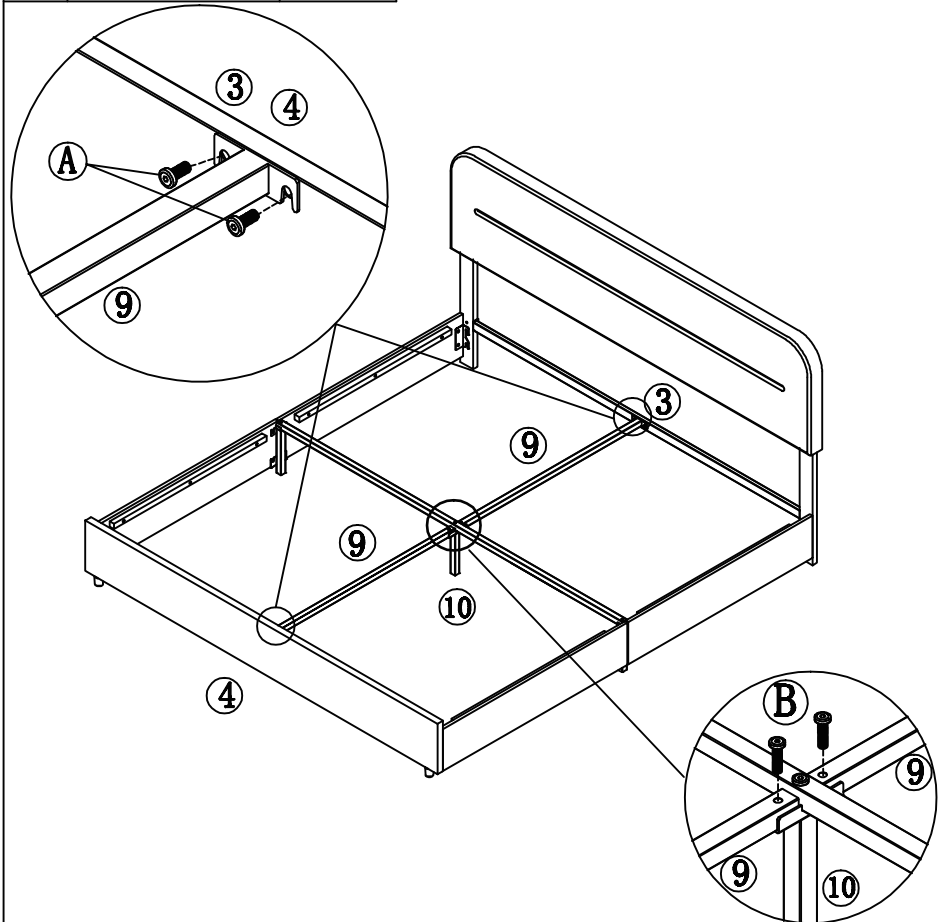


Assembly Instruction

B	 M8x35	2pcs
C	 M8x45	1pc
D		1pc



A	 M8x20	4pcs
B	 M8x35	2pcs
D		1pc



Assembly Instruction

