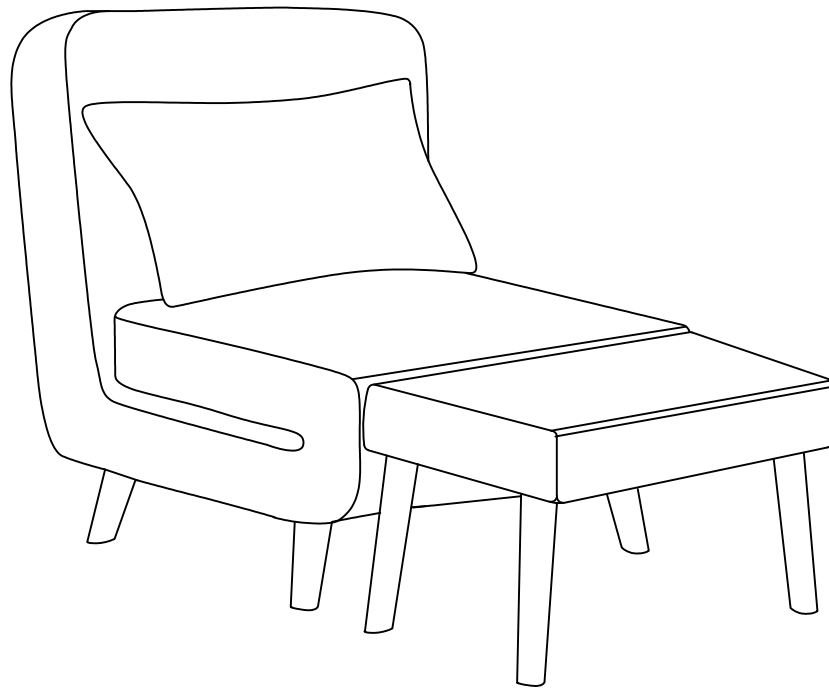
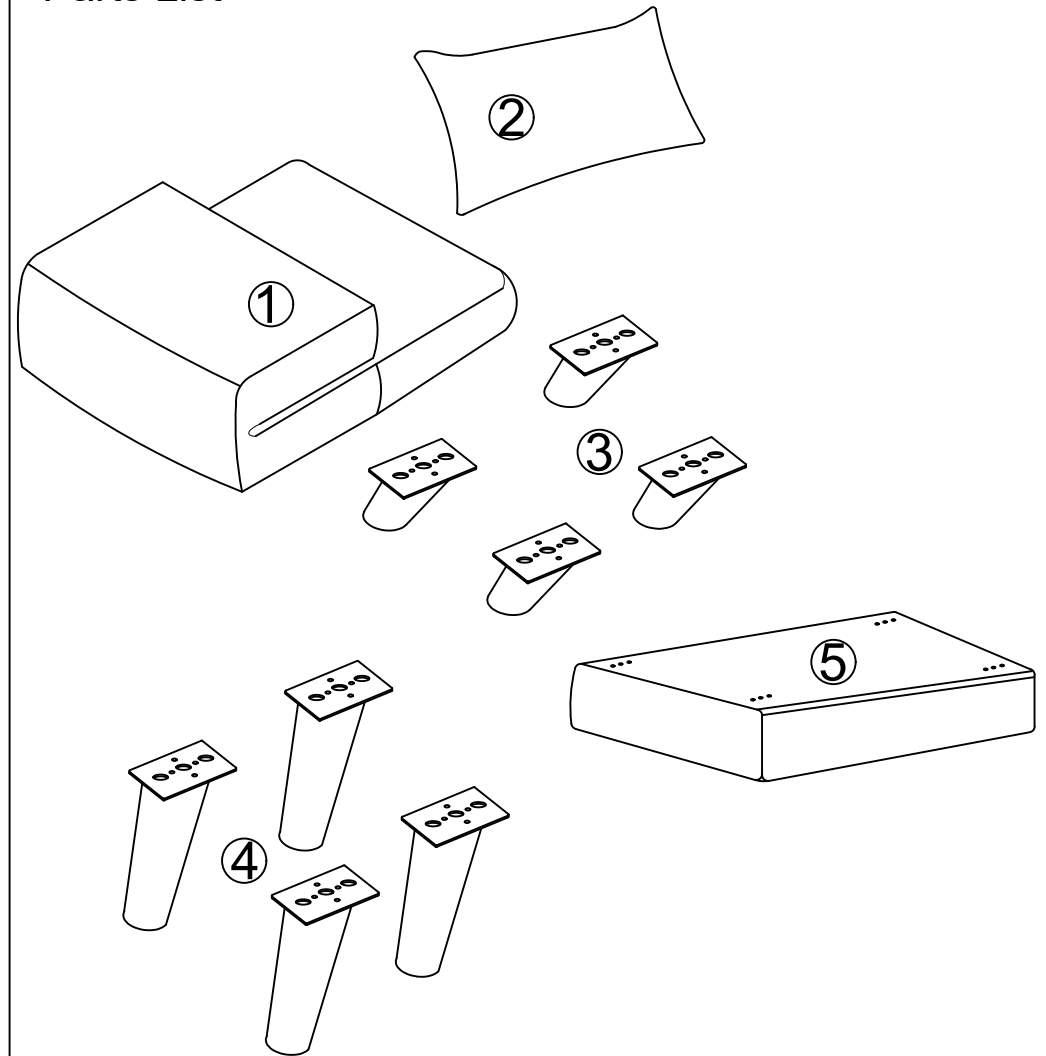





## ASSEMBLY INSTRUCTIONS



## Parts List

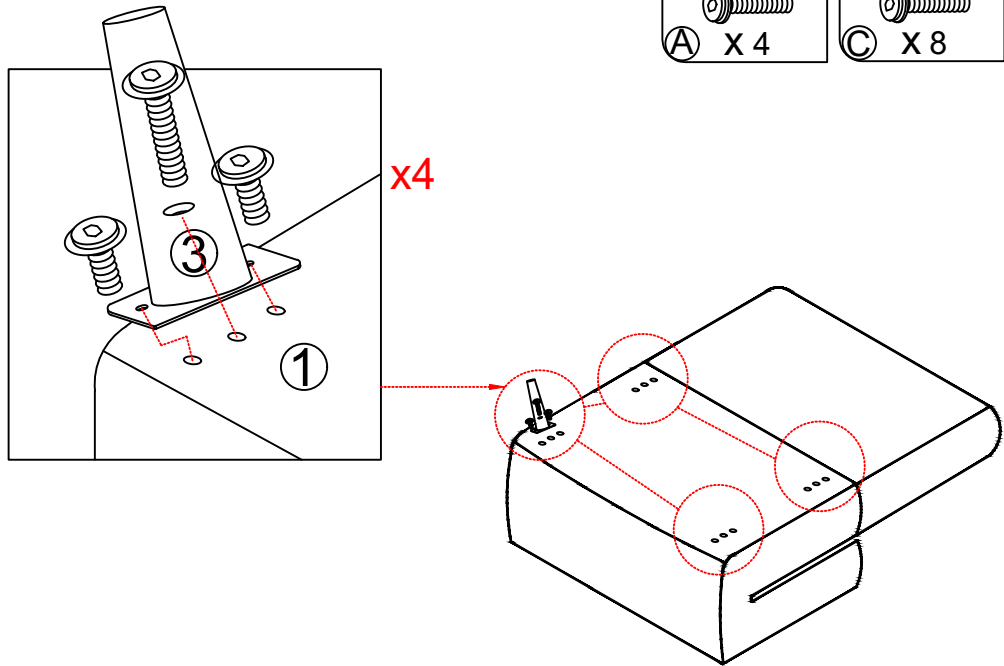


## Hardware List

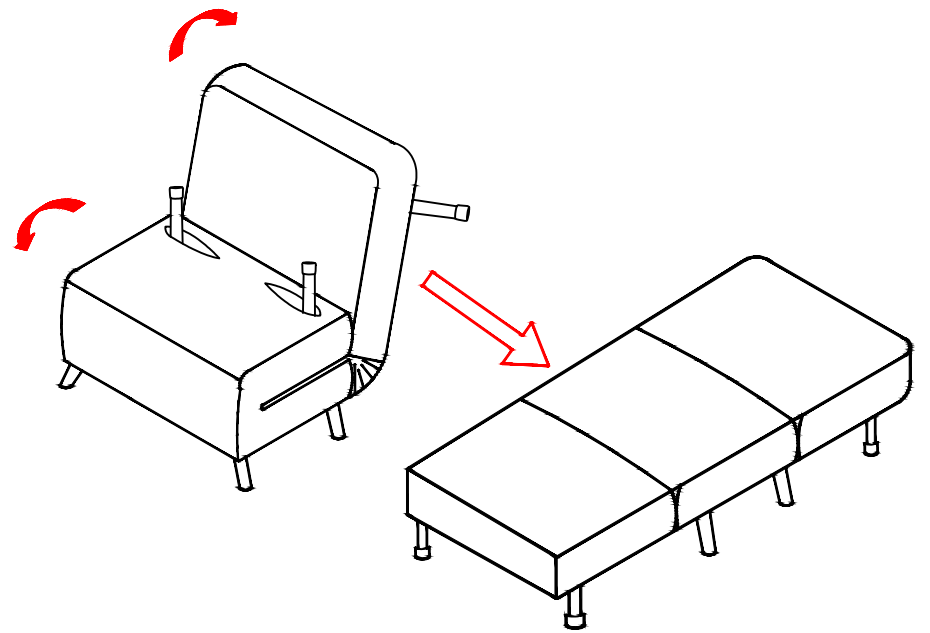
Label	Picture	Description	Qty	Label	Picture	Description	Qty
A		Bolt M8 x 55	8	B		Allen Key M5	1
C		Bolt M8 x 25	16				

### Step 1

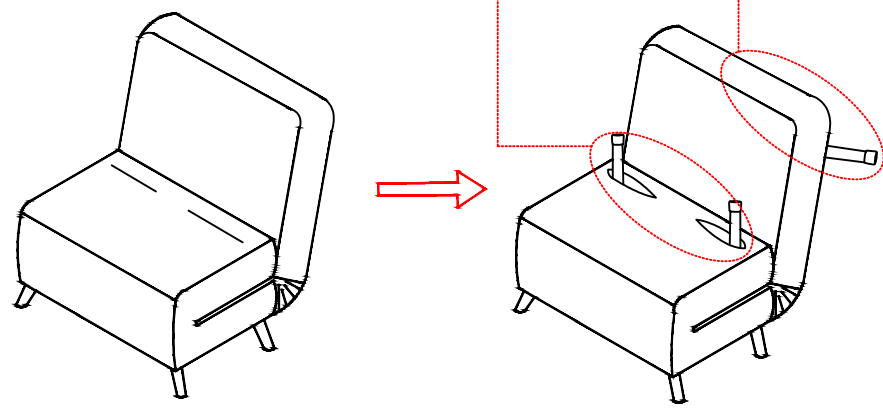
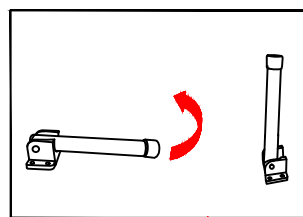
- Bolt M8 x 55  
A X 4
- Bolt M8 x 25  
C X 8



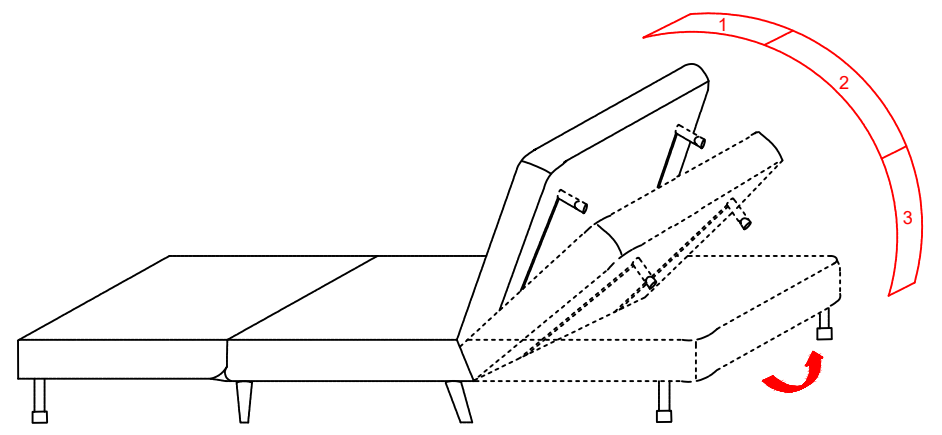
### Step 3



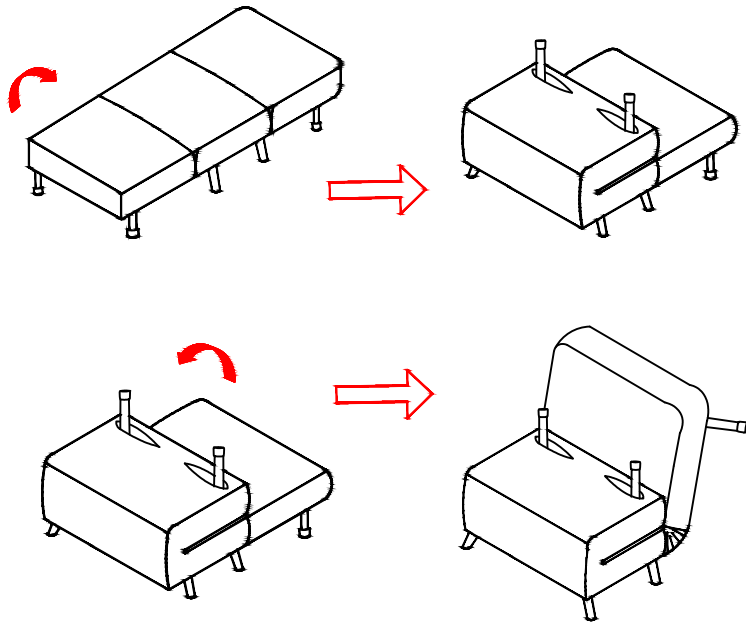
### Step 2



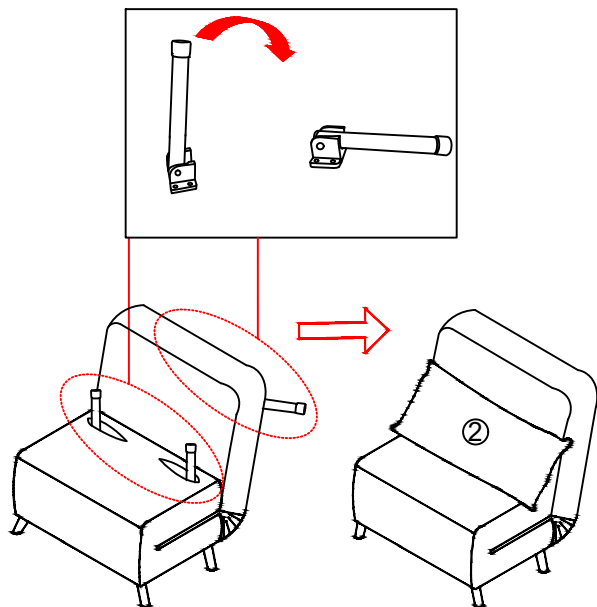
### Step 4



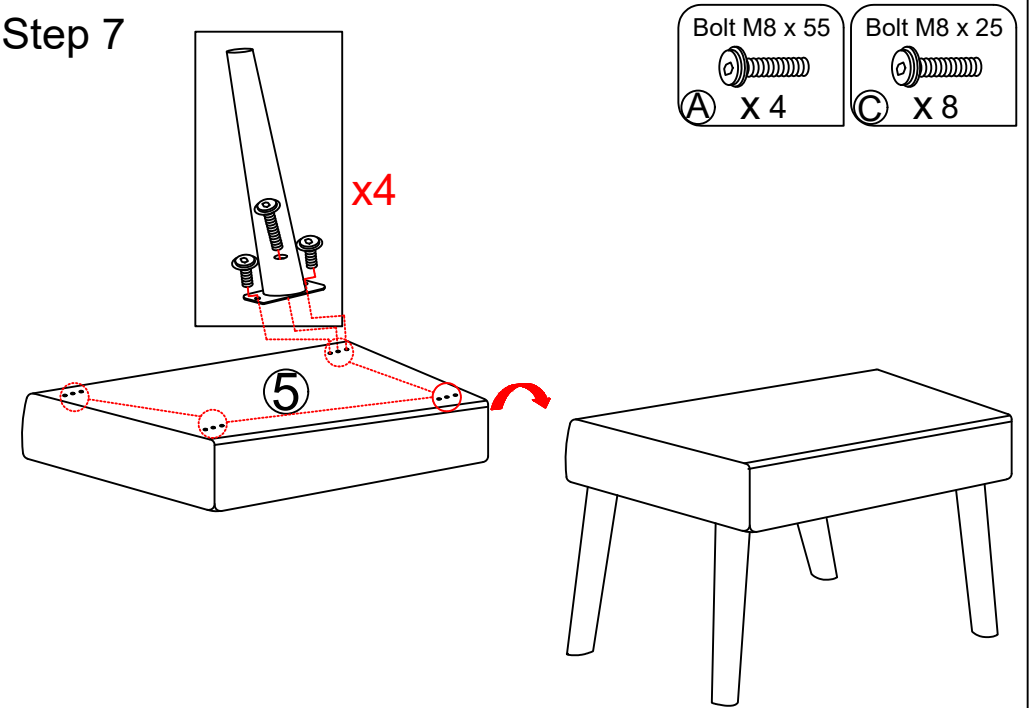
### Step 5



### Step 6



### Step 7



### Step 8

