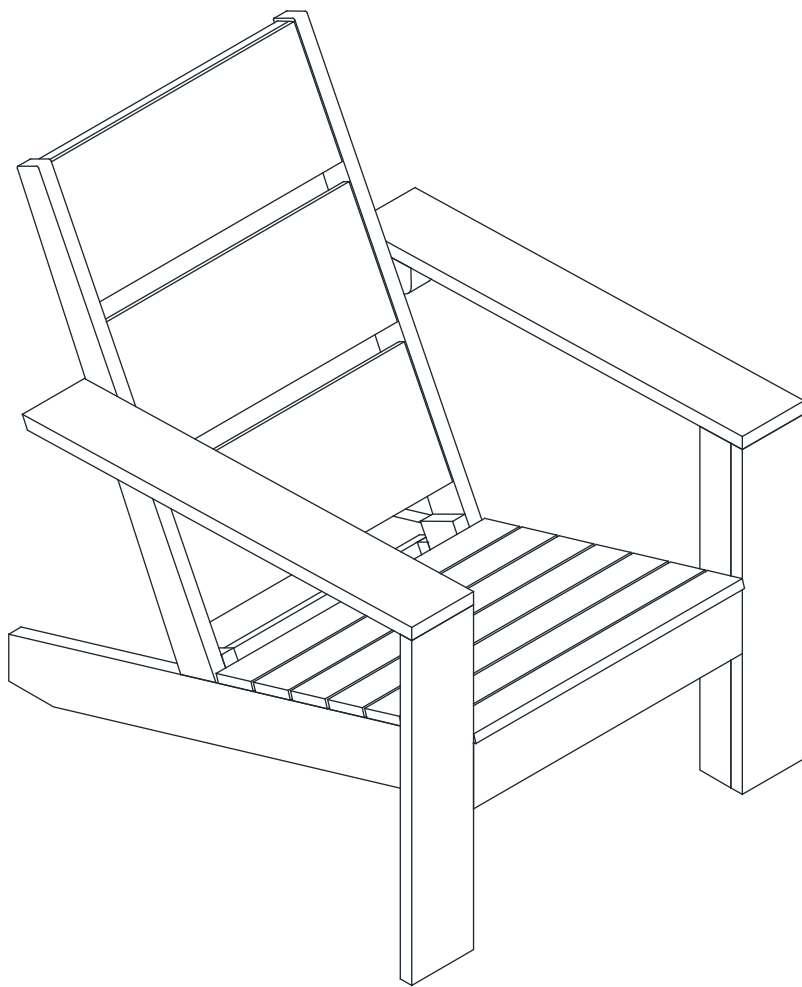


ADIRONDACK CHAIR

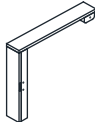
Assembly Instructions



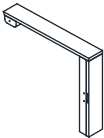
Every thing we make is incredibly simple to set up, including your new chair. You won't need any additional tools.

Parts List

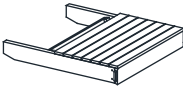
A x 1
Right leg Panel



B x 1
Left leg Panel



C x 1
Seat panel



D x 1
Back panel

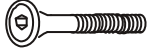


Hardware List

HW1 x 2
Allen Bolt: M6x0.5x55 mm



HW2 x 8
Allen Bolt: M6x0.5x35 mm

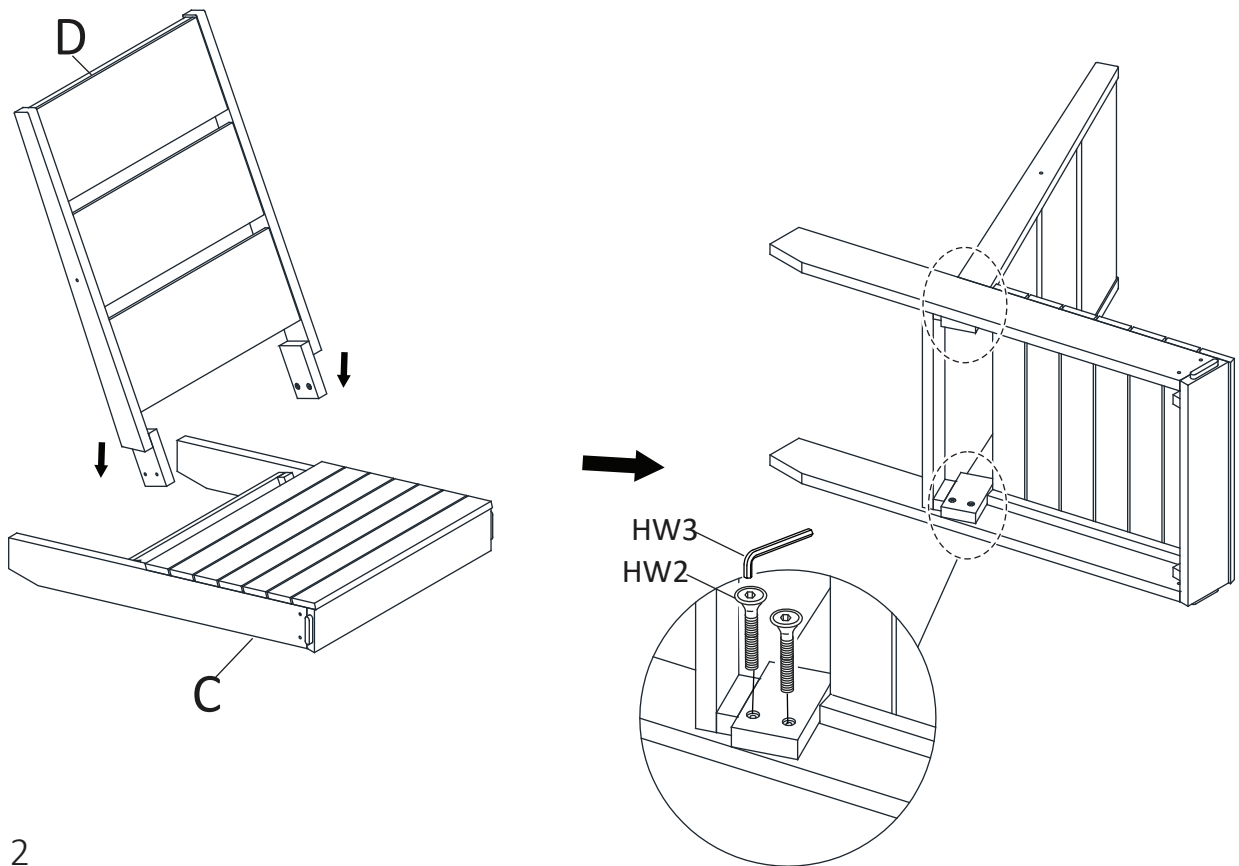


HW3 x 1
Allen key



1

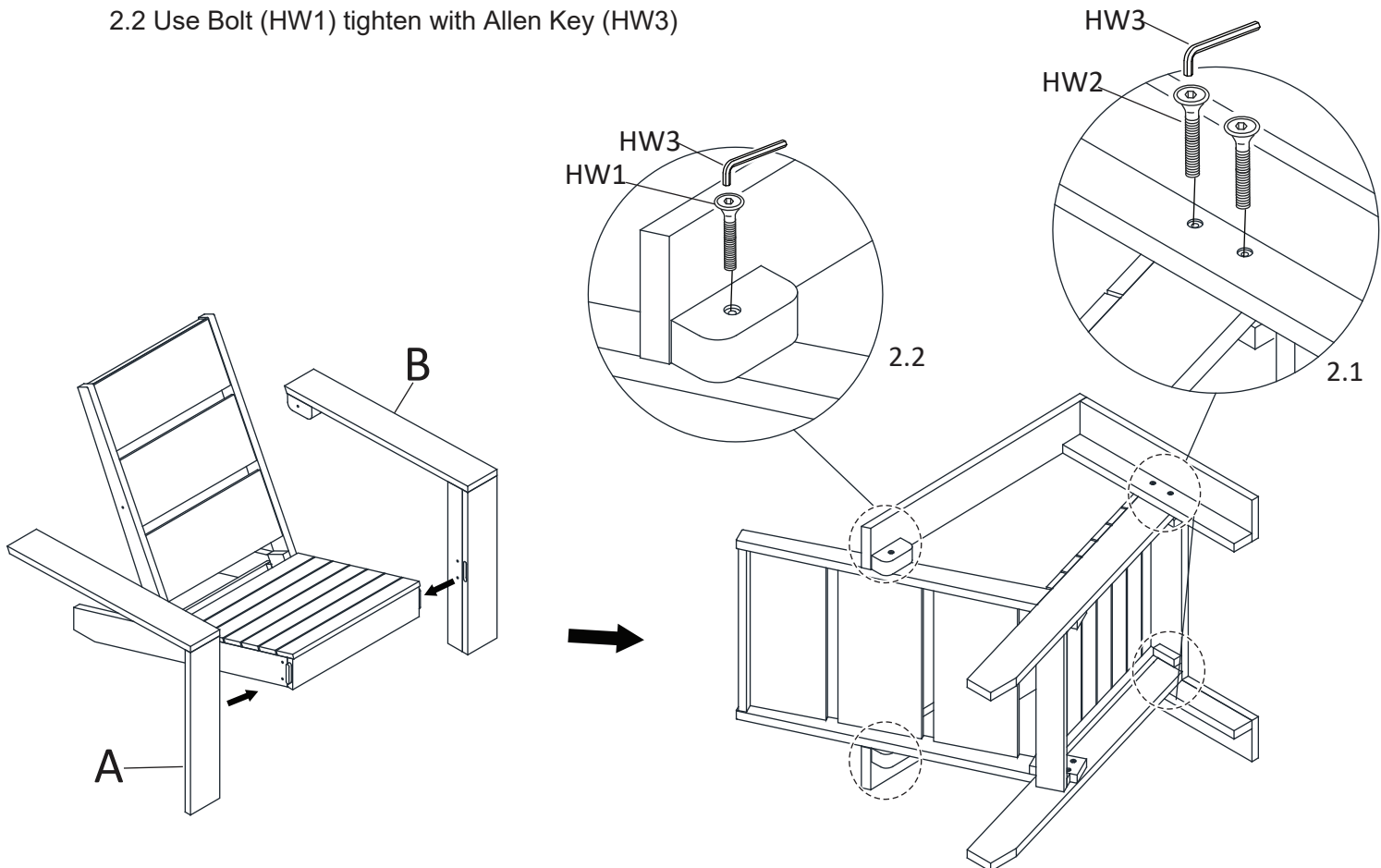
Attach Back Panel (D) to Seat Panel (C). Use Bolt (HW2) tighten with Allen Key (HW3)



2

2.1 Attach Right leg Panel (A) and Right leg Panel (B) to Seat Panel (C). Use Bolt (HW2) tighten with Allen Key (HW3)

2.2 Use Bolt (HW1) tighten with Allen Key (HW3)



Place the chair in the place where you will use it. We'd love to see it – just tag us and use the hashtag on Instagram!

