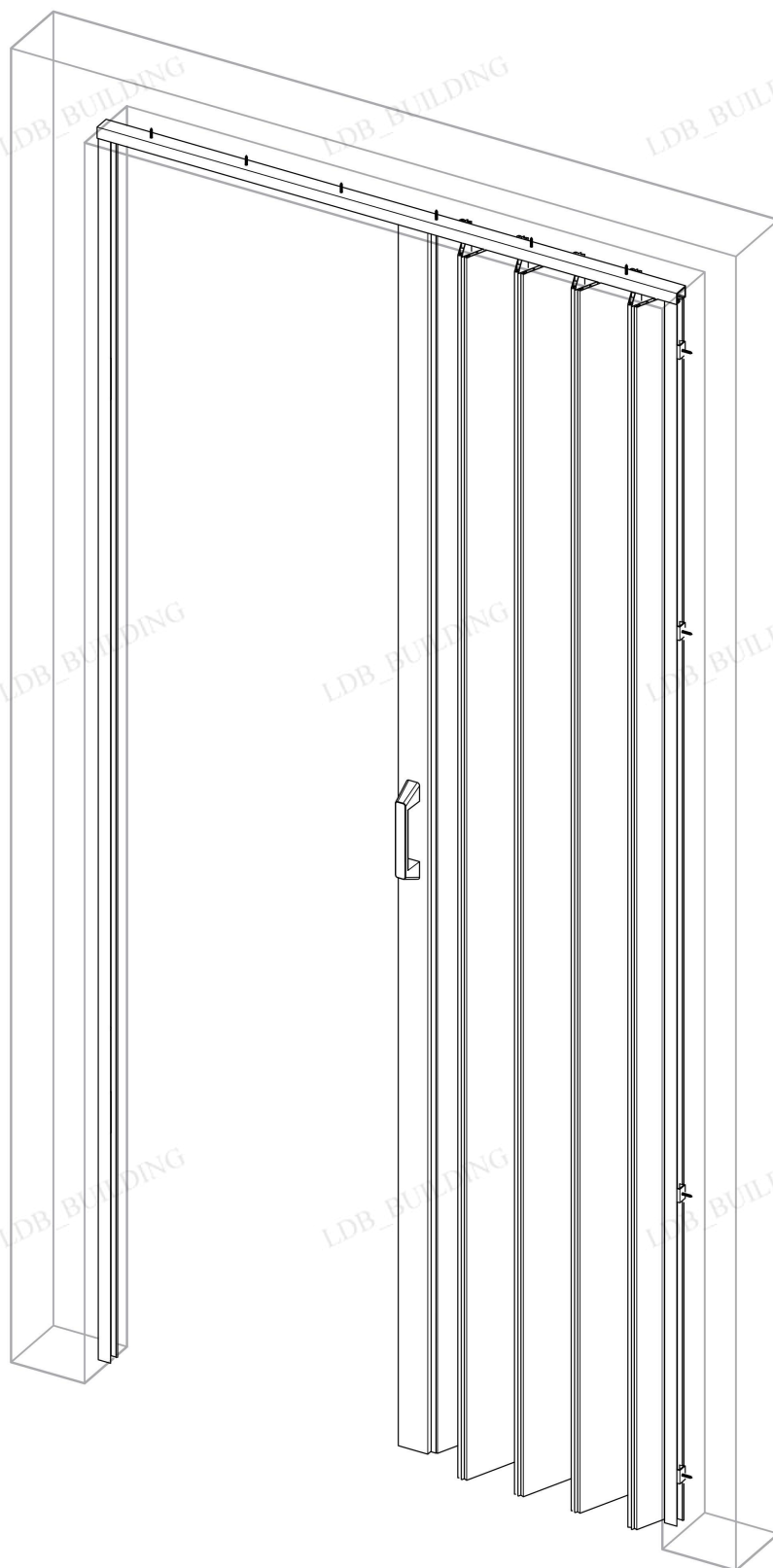


ACCORDION FOLDING DOOR

ASSEMBLY INSTRUCTION

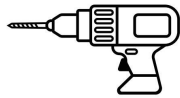


Please read all instructions carefully before assembly

TOOLS REQUIRED



PHILLIPS
SCREWDRIVER



ELECTRIC DRILL
(OPTIONAL)



1 PERSON
RECOMMENDED

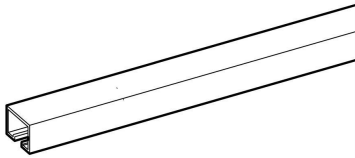


20 MIN ASSEMBLY
(ESTIMATED)

PARTS

A

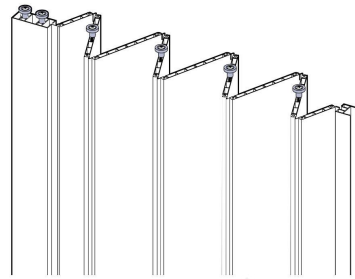
Top Rail



1 PCS

B

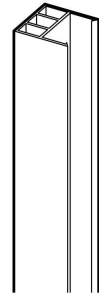
Panel



1 PCS

C

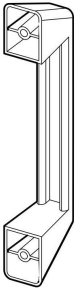
Closure



1 PCS

D

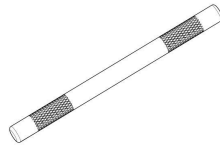
Handle



2 PCS

E

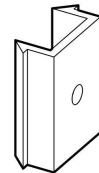
Pins



2 PCS

F

Anchor buckles



5 PCS

G

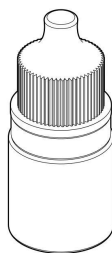
Metal plate



2 PCS

H

Lubricating oil

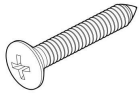


1 PCS

PARTS

1

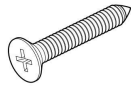
TA3.5 X 25MM
SCREW



6 PCS

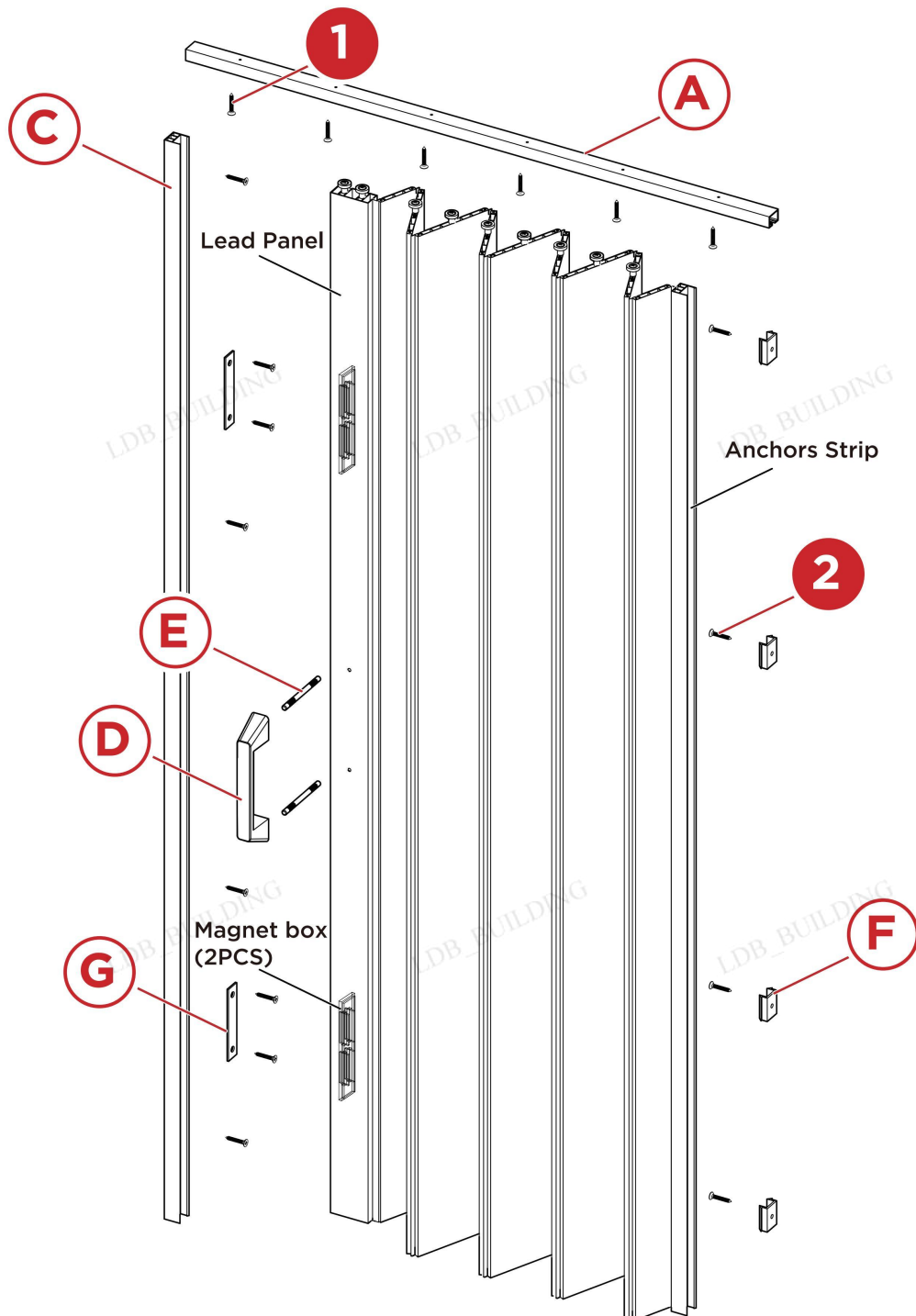
2

KTA3.5 X 25MM
SCREW



14 PCS

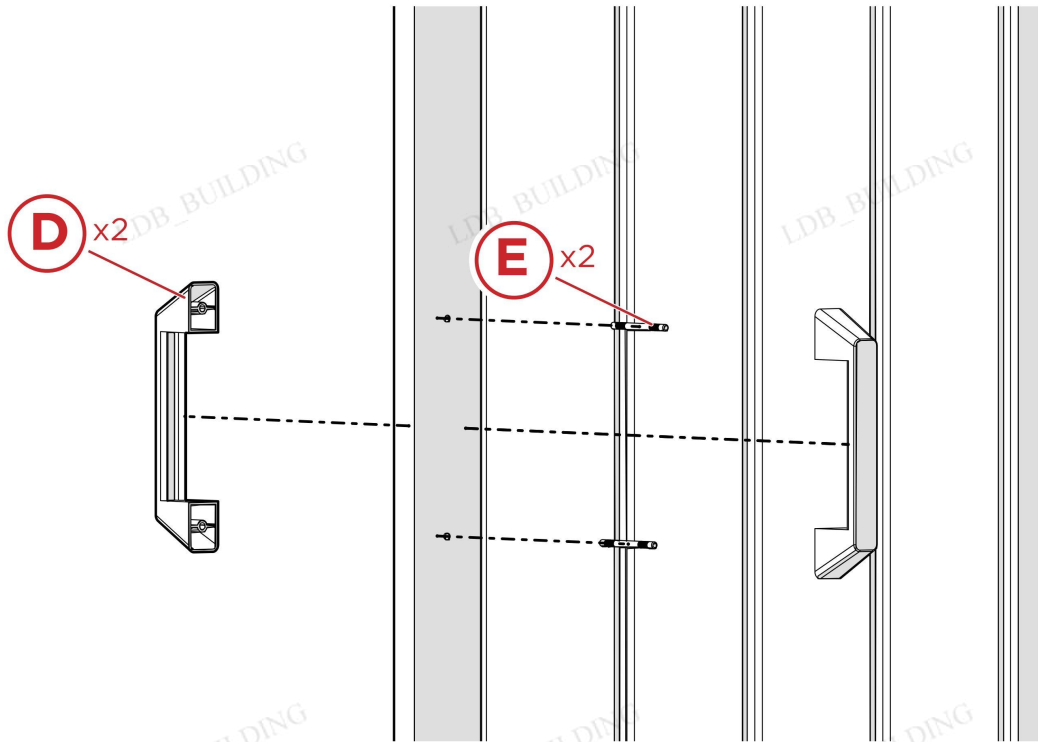
Components list



PRODUCT ASSEMBLY

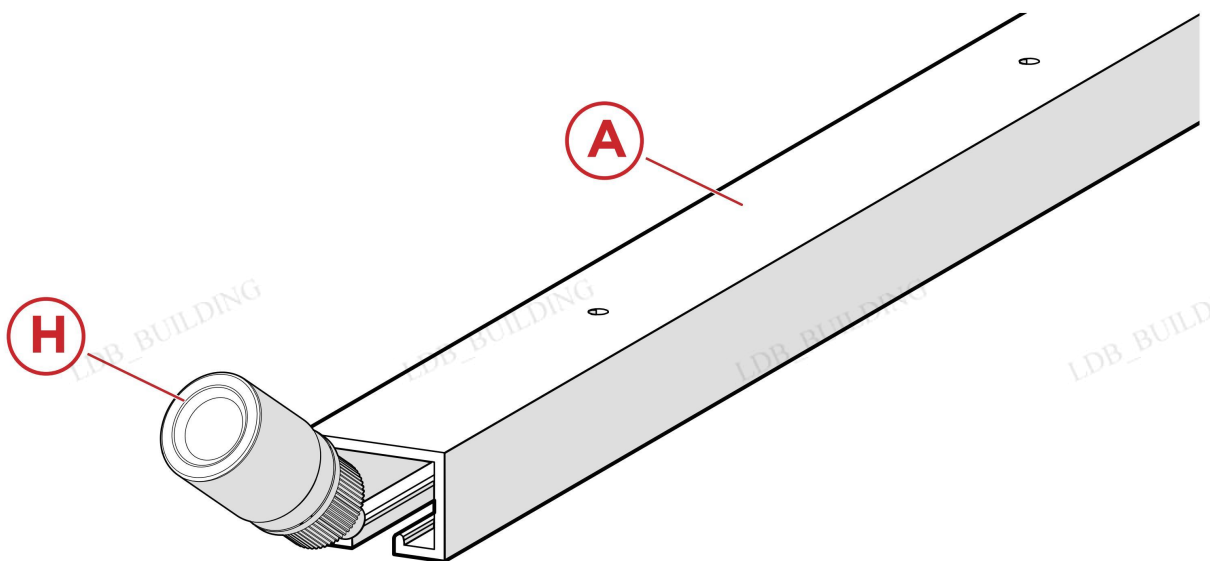
Step-1

Insert pins (E) into handle(D) go through the reserved holes on the leading panel



Step-2

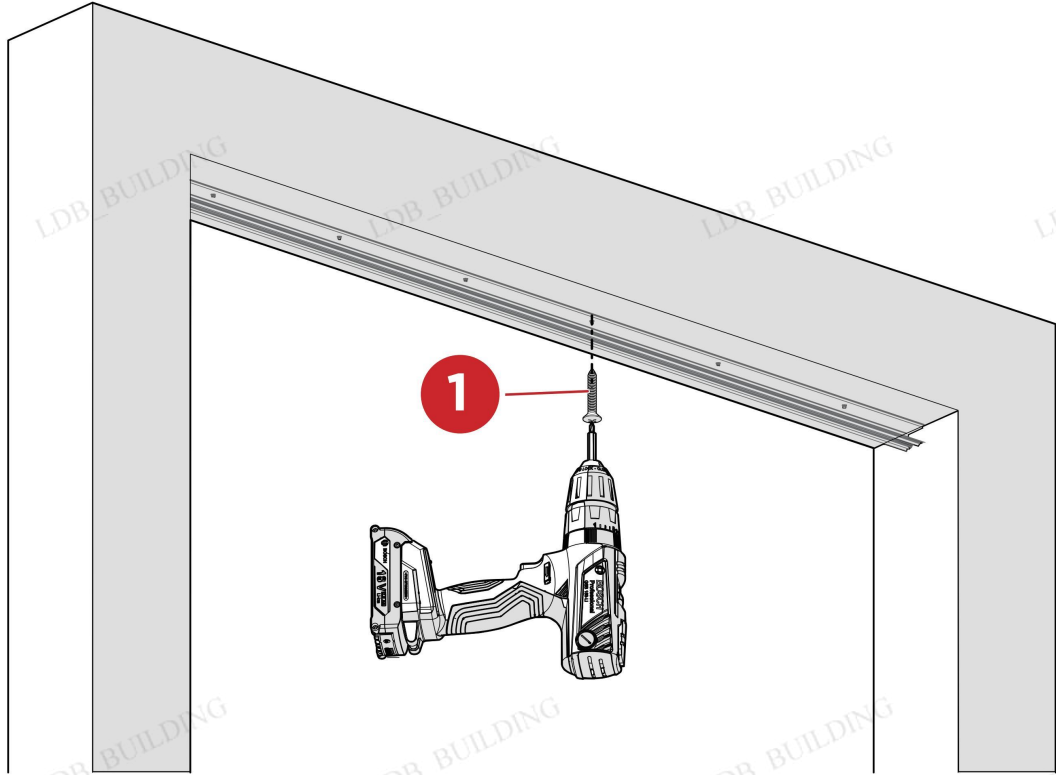
Apply lubricant oil (H) to the inside of the top trace(the contacted parts with rollers)



PRODUCT ASSEMBLY

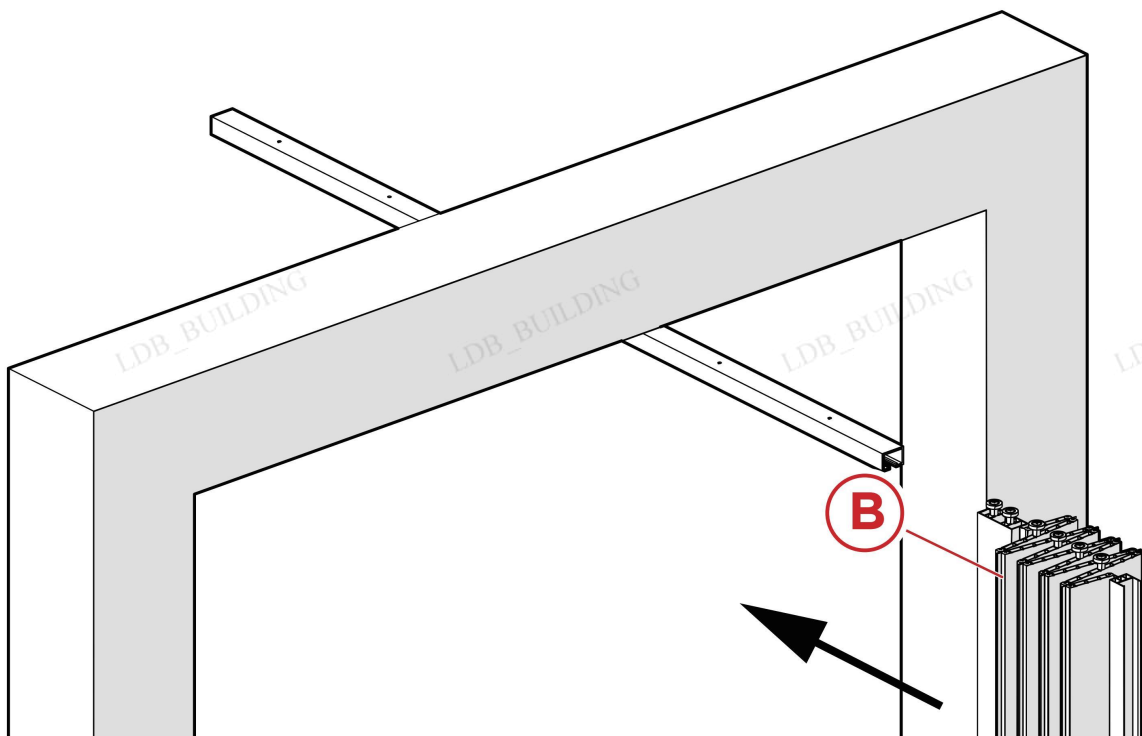
Step-3

Placed the top track onto the door top match to the reserved hole slightly screw it.



Step-4

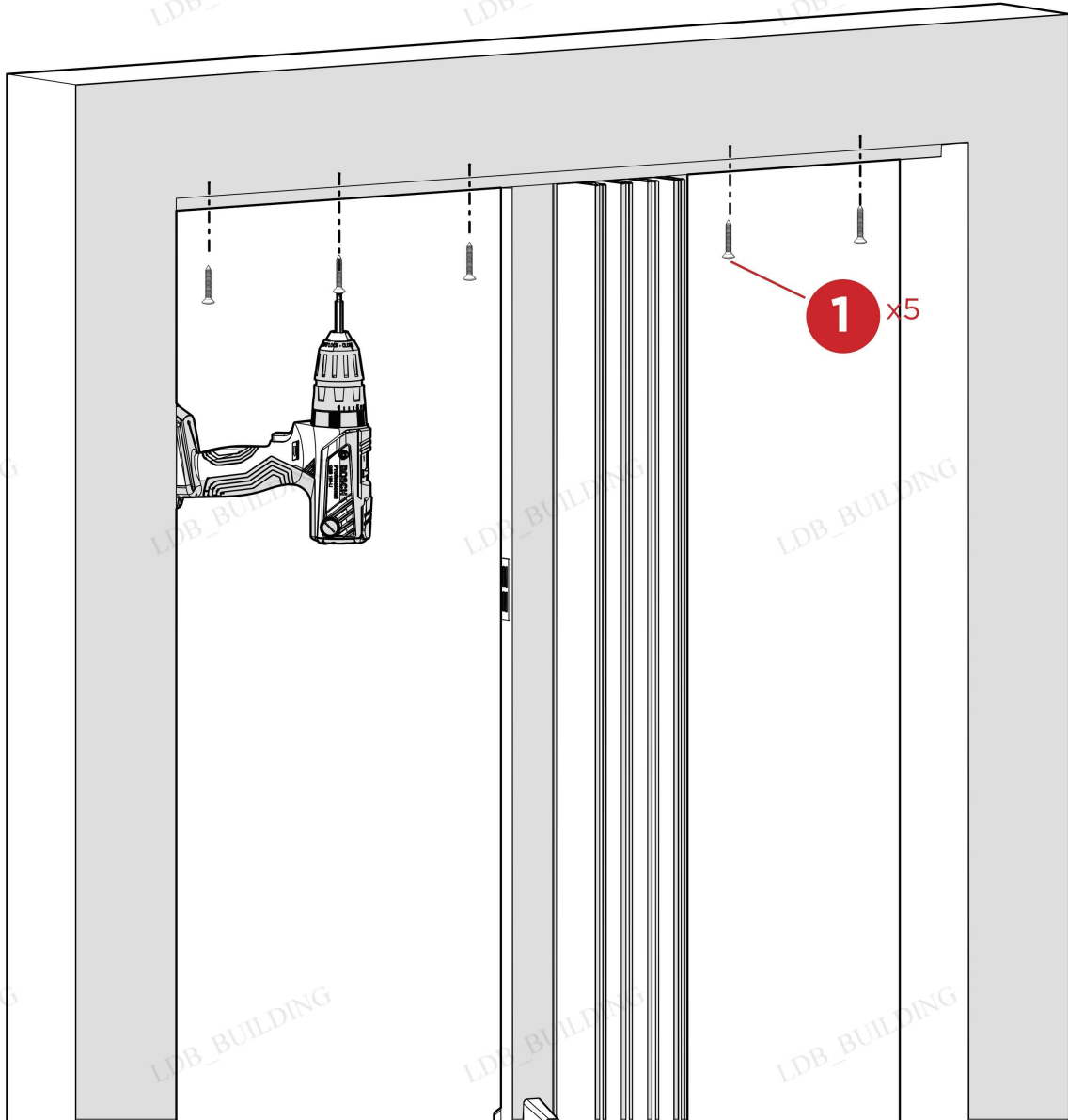
Turn the top track as Step 3 then well put all rollers into the track , then turn the track in parallel.



PRODUCT ASSEMBLY

Step-5

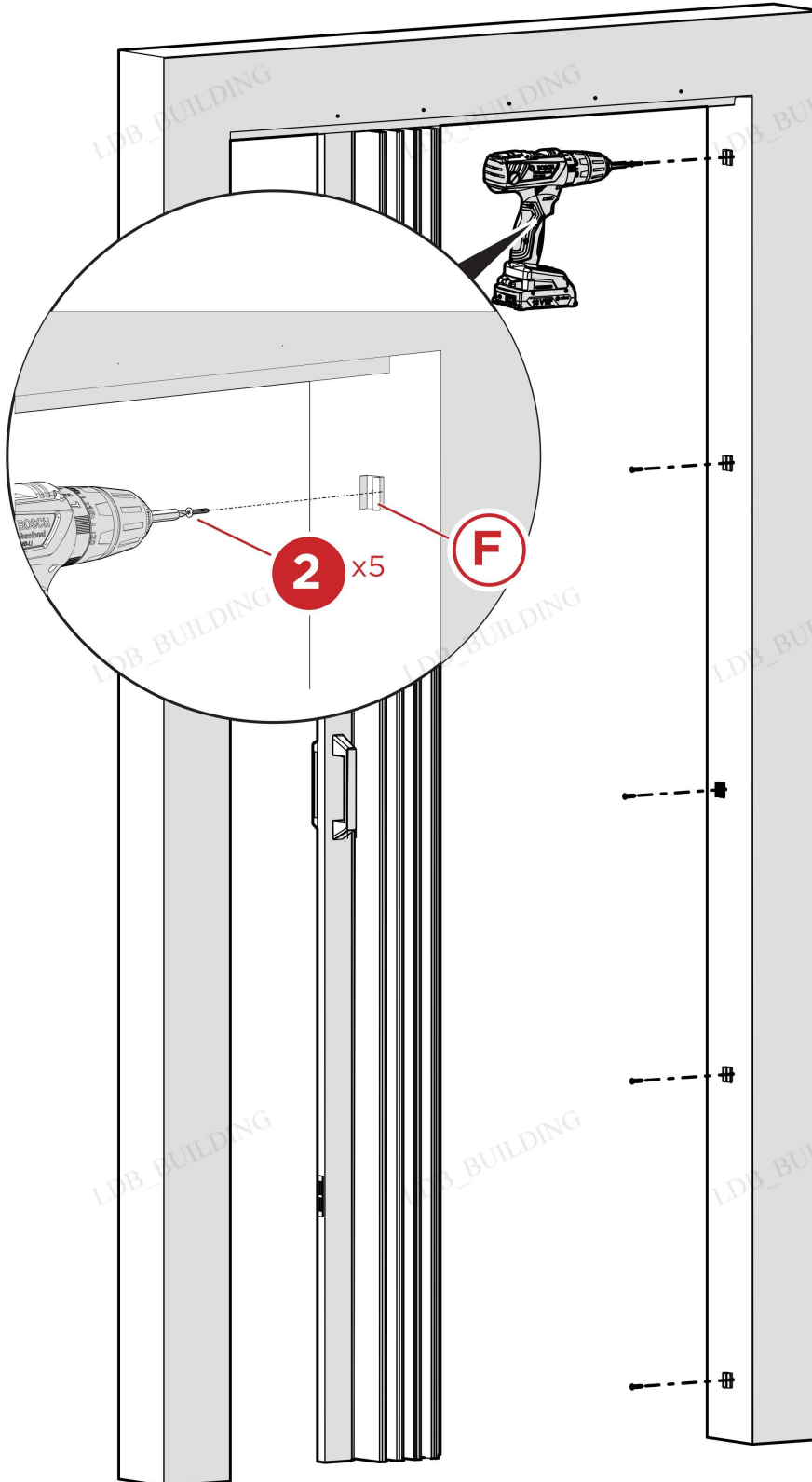
Well screw tight the all remained holes.



PRODUCT ASSEMBLY

Step-6

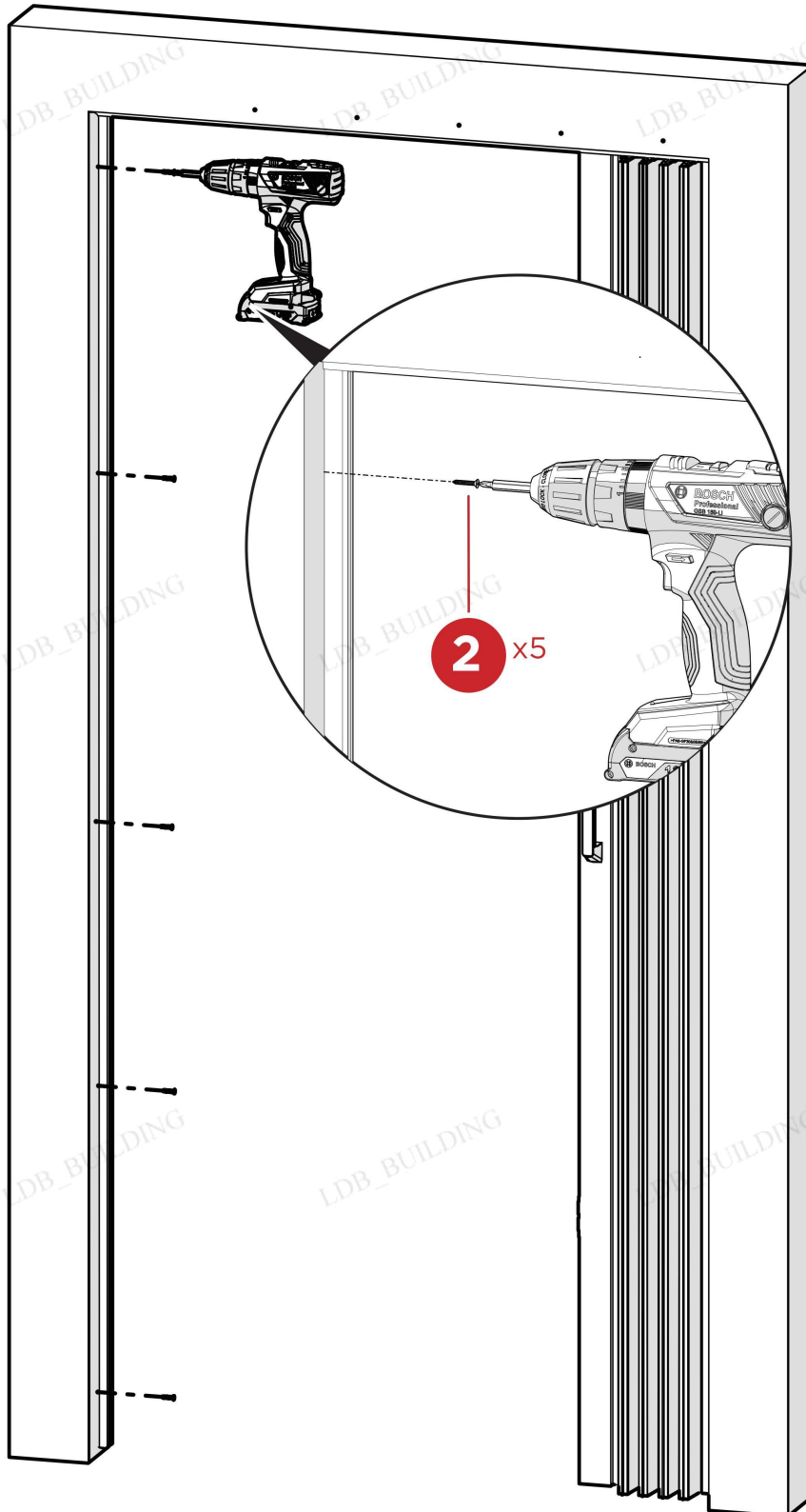
fixed 5 anchor buckes(F) on the side of jamb with average distance well close anchor strip.



PRODUCT ASSEMBLY

Step-7

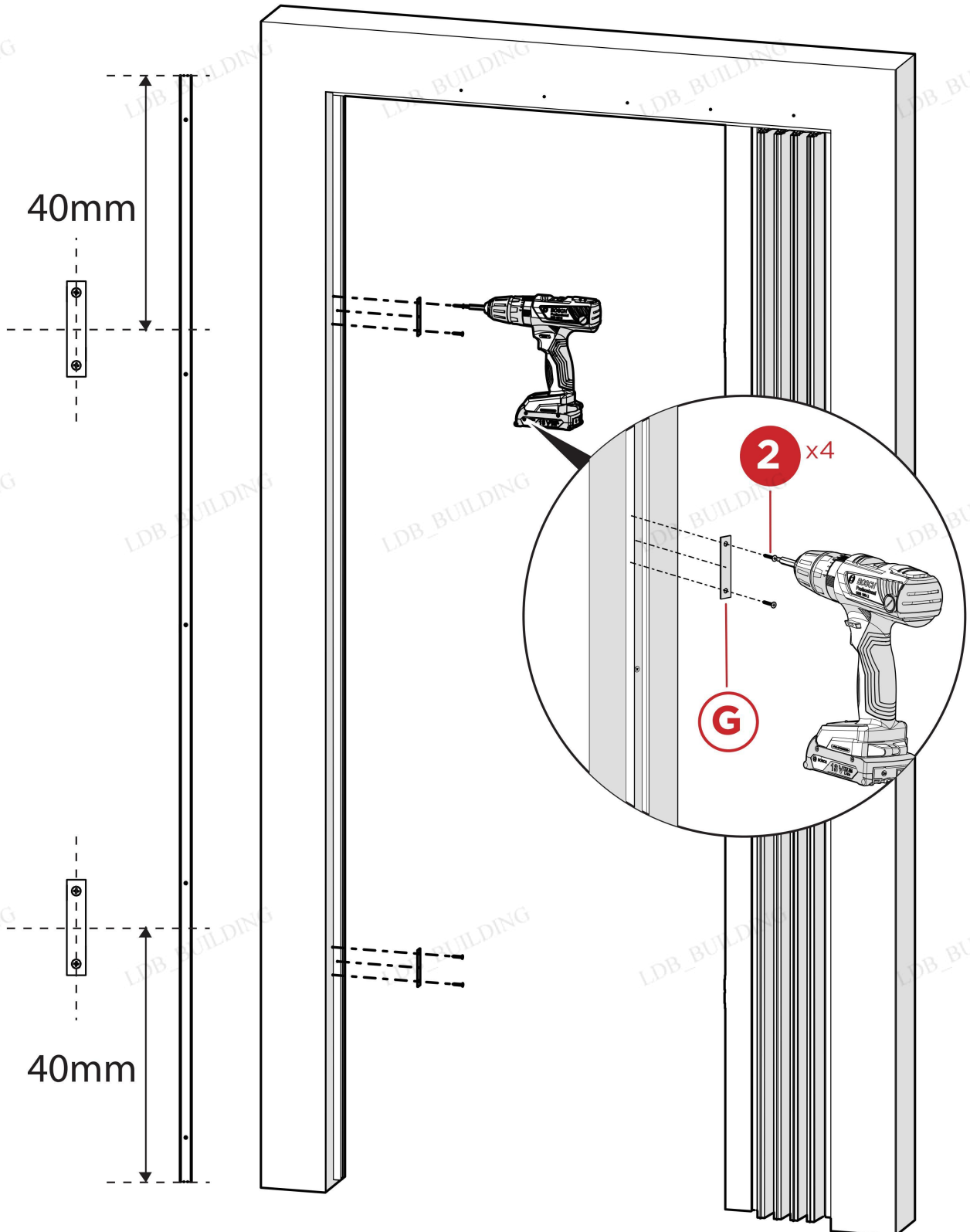
put the closure on the other side of jamb then well screw the reserved holes.



PRODUCT ASSEMBLY

Step-8

Match the magnet box well and screw in two metal plates (G).



Question about your product? We're here to help. Visit us at:

Email: help@bestbarndoor.com

WARNING

Read instruction fully before starting the installation. Not following the installation instructions may cause the unit to work in unsafe manner and cause injury.

The Accordion Folding Door kit has been designed to work as a total system. Any modification to the door or the hardware will void the warranty and may cause the unit to work improperly.

Always wear appropriate personal protection equipment when using tools and follow manufacturer's operating instructions.



CAUTION

Mishandling of heavy objects (i.e., doors) may cause a loss of balance and serious injury. Always be sure you have a secure hold on the object and are balanced before moving the object. Always wear safety shoes when lifting heavy objects.

Getting body parts (i.e., hair, fingers) caught in moving parts may cause pinching and serious injury. Do not put fingers in parts that may move and always remove or contain anything on your body that may become entangled with a moving part.

Closing sliding doors with your hand on the end of the door may result in your hand, or fingers, getting caught between the door and other solid objects (i.e., another door, molding) causing serious injury. Always use the door handle to close doors.

Usage Statement

Use of excessive force when opening and closing the door(s) may result in damage to the hardware. Always hold the handle to gently move the door(s).