

# CLASSIC RECTANGLE CEILING RACK PR1NB



If you need assistance, please call 1-877-ENCLUME  
Enclume Design Products  
24 Colwell Street, Port Hadlock, WA 98339



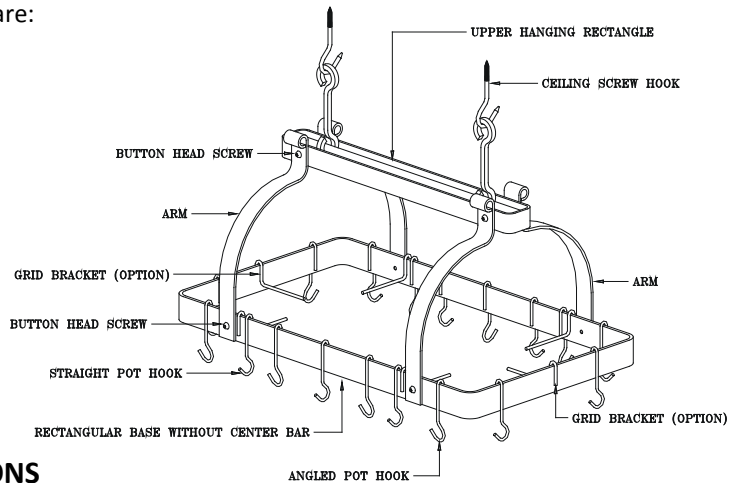
Enclosed you will find everything needed for the assembly and use of your storage rack. Two people make assembly and installation easier. The parts and hardware included are:

#### Hardware included:

- 2 – Ceiling Screw Hooks
- 8 – 3/8" x 1/2" Button Head Screws
- 1 – 7/32" Allen Wrench

#### Components included:

- 1 – Rectangular Base
- 4 – Arms
- 1 – Upper Hanging Rectangle
- 12 – Angled Pot Hooks
- 12 – Straight Pot Hooks
- 1 – Grid
- 6 – Grid Brackets



## ASSEMBLY AND INSTALLATION INSTRUCTIONS

### Rack Assembly

- 1) If your rack is plated it is best to keep the tissue on during installation to avoid fingerprinting.
- 2) Locate the hardware bag containing the button head screws and allen wrench. Using the allen wrench, attach the arms to the outside of the large rectangle with the screws, leaving the button head screws a little loose.
- 3) Attach the arms to the small hanging rectangle with the button head screws.
- 4) Square up the rack by aligning the arms so they are perpendicular to the upper and lower rectangles. Tighten all of the button head screws.

### Installation

- 1) We recommend that you anchor your rack into the solid wood of ceiling joists or beams. Carefully measure the area where the rack is to be hung and install the ceiling screw hooks directly into the wood joists. If you have a special situation such as steel joists or masonry, please contact your local hardware store or contractor for expert advice.
- 2) If it is not convenient to hang your rack directly into wood joists you may use the included DRYWALL anchors enclosed with your rack. Follow Toggler® brand manufacturer recommendations for weight limits included in the instructions in the Toggler kit.

### Grid Assembly

- 1) Slip the 6 grid brackets over the lower rectangular base with the "L" portion pointing to the inside. Center one bracket on each end and one on the inside of each arm.
- 2) Place the grid on the brackets.
- 3) For your safety, distribute your cookware evenly. Hang your pot hooks from the interior squares only. Do not hang them from the perimeter or the cut portions of the grid.

**WARNING:** It is important that your fireplace tool stand is assembled correctly. If the unit is assembled or used incorrectly, it could become unstable and collapse, possibly causing injury.

**LIMITED WARRANTY:** This product is warranted to be free of material defects, other than that from normal use, for a period of five years from the date of purchase. Customer's exclusive remedy shall be the repair or replacement of the defective product and shall be subject to the following conditions: (1) notice of any defect is received by Enclume within the warranty period and (2) customer returns the defective product to Enclume Design Products, 24 Colwell St., Port Hadlock, WA 98339, postage prepaid within 20 days following a return authorization number (which may be obtained by telephoning the number at the top of this instructions) being provided to the customer by Enclume. There are no other warranties, expressed or implied. THERE ARE NO WARRANTIES OF MERCHANTABILITY OR FITNESS FOR A PARTICULAR PURPOSE. ENCLUME SPECIFICALLY DISCLAIMS ANY AND ALL INCIDENTAL OR CONSEQUENTIAL DAMAGES ARISING OUT OF THE PURCHASE OR USE OF ENCLUME'S PRODUCTS.