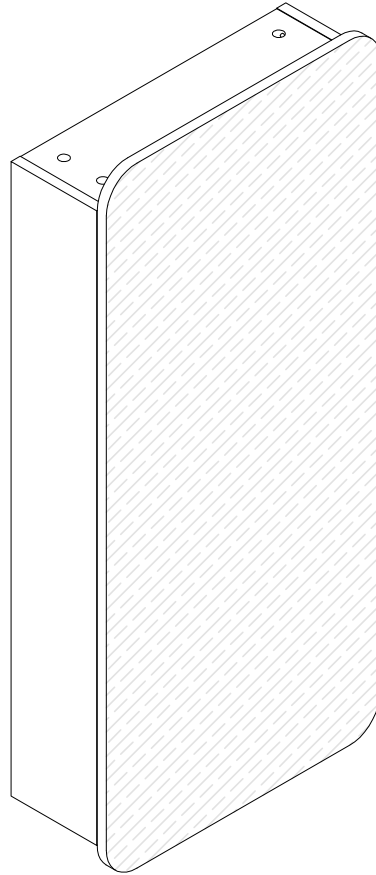
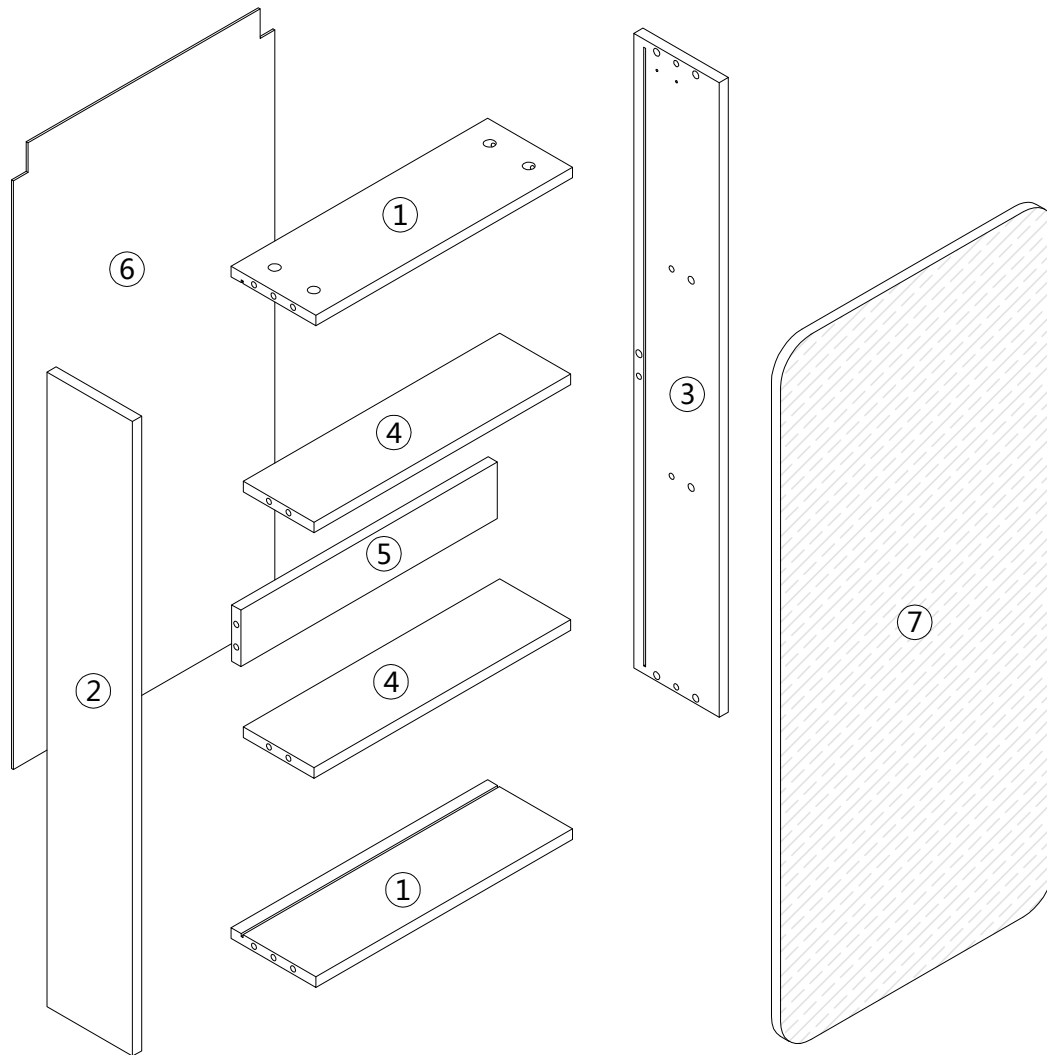


Bathroom cabinet

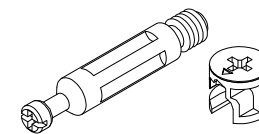


Parts List



Hardware

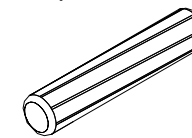
A x 14sets



A1

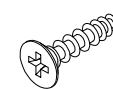
A2

B x 10pcs



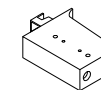
8 x 40 MM

C x 12pcs



3.5 x 14 MM

D x 2sets

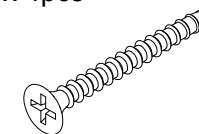


D1



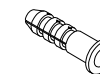
D2

E x 4pcs



3.5 x 30 MM

F x 4pcs

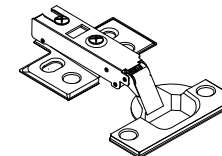


F1



F2

G x 2pcs



H x 1set



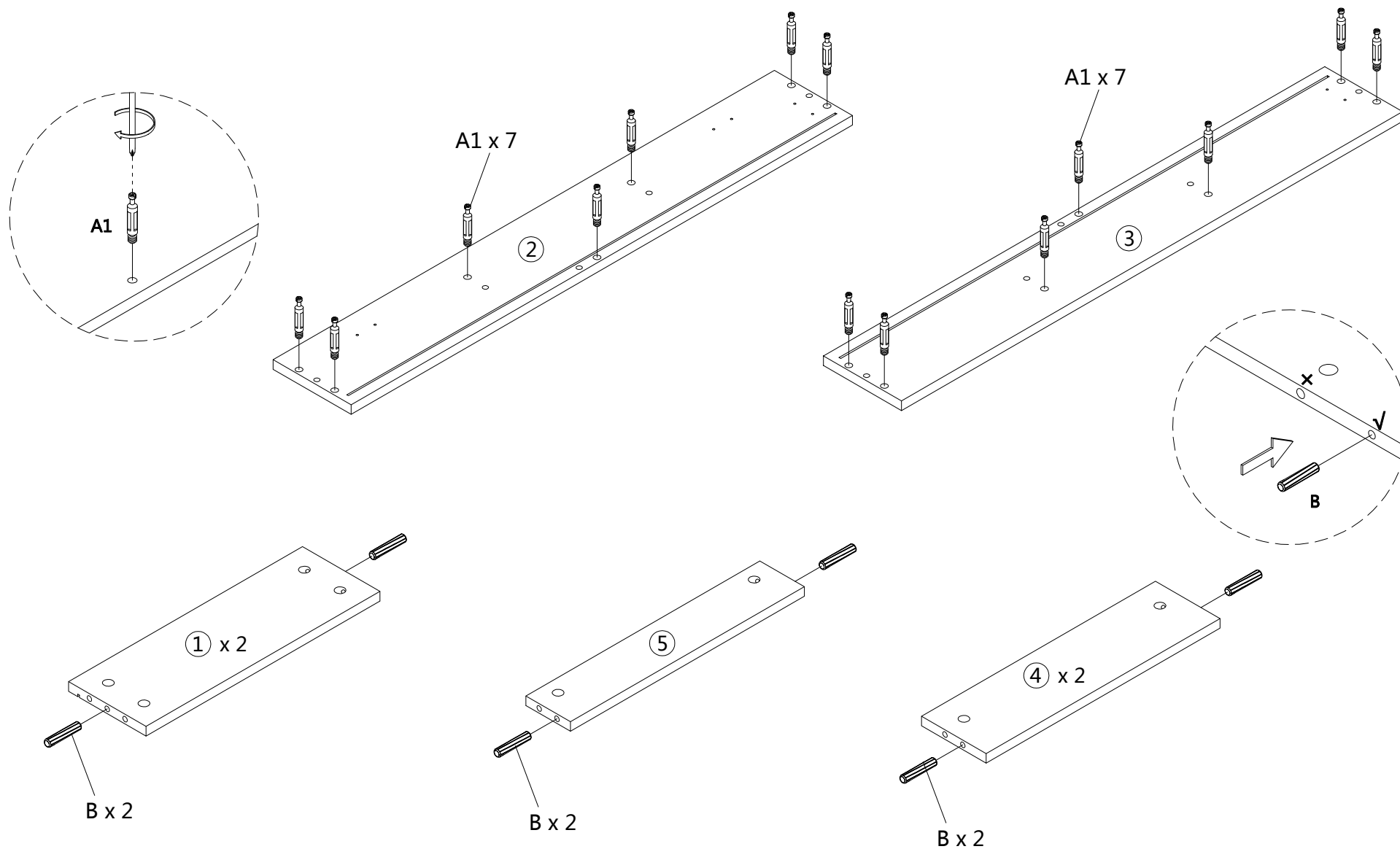
H1



H2

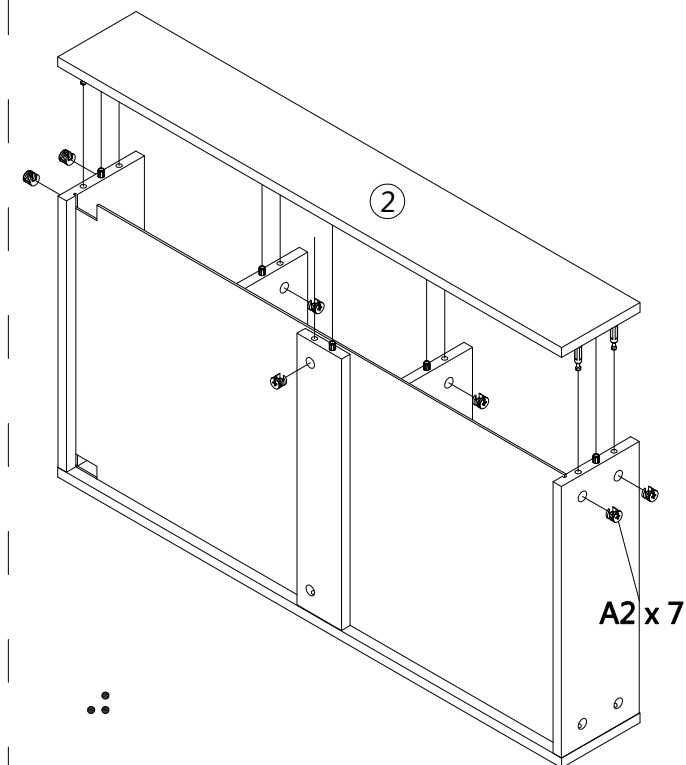
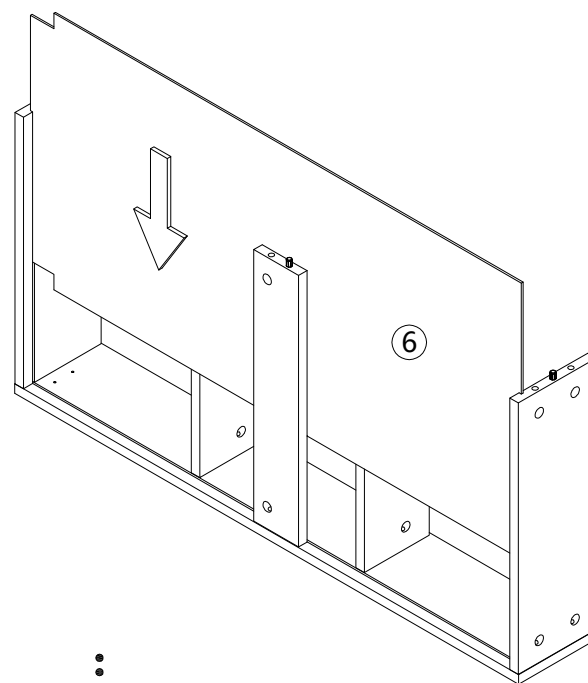
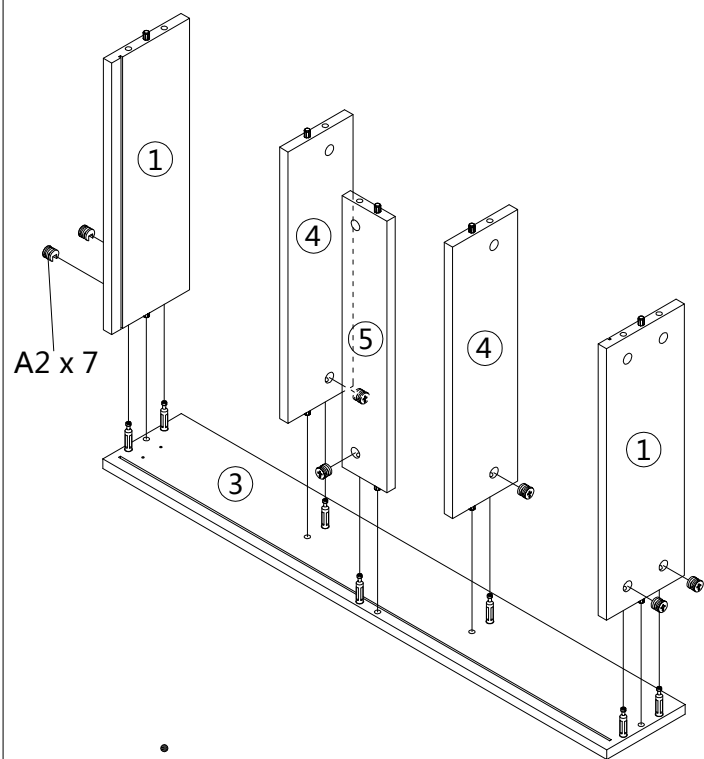
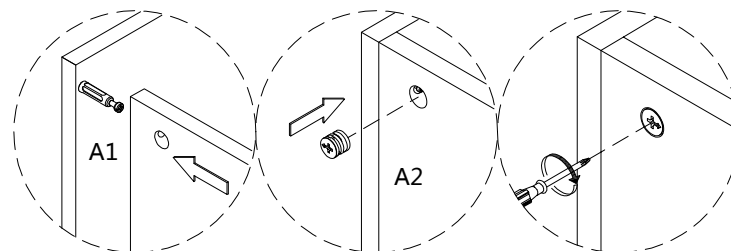
Step 1

A1 x 14 B x 10



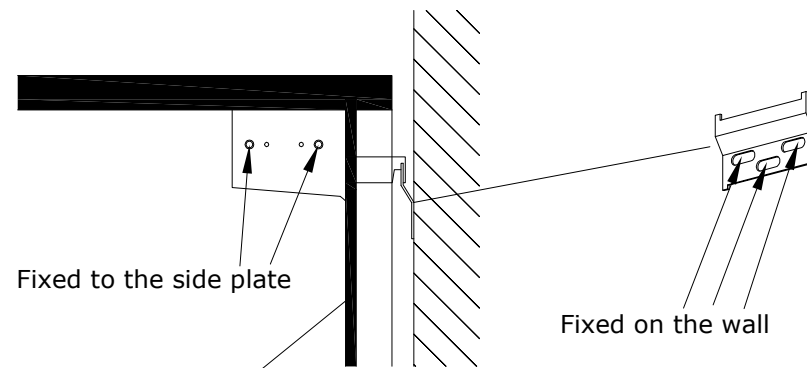
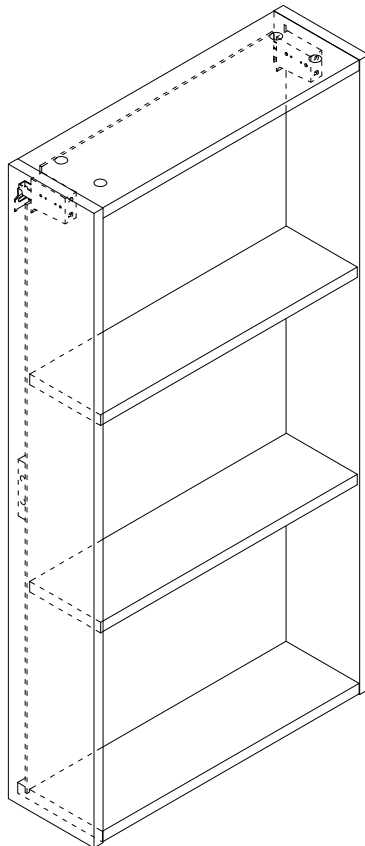
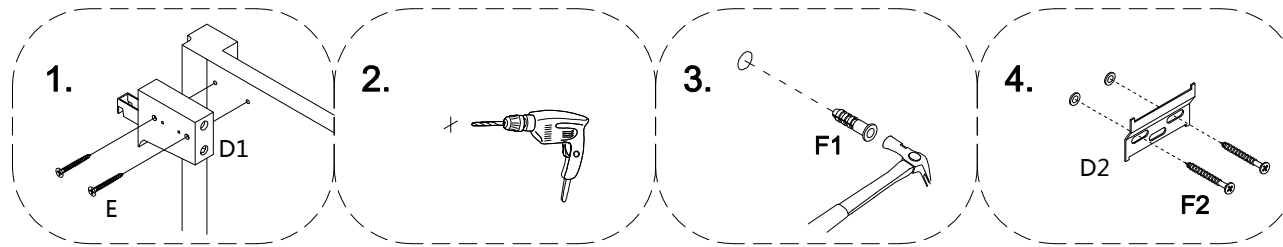
Step 2

A2 x 14



Step 3

D x 2 E x 4 F x 4



Backplane

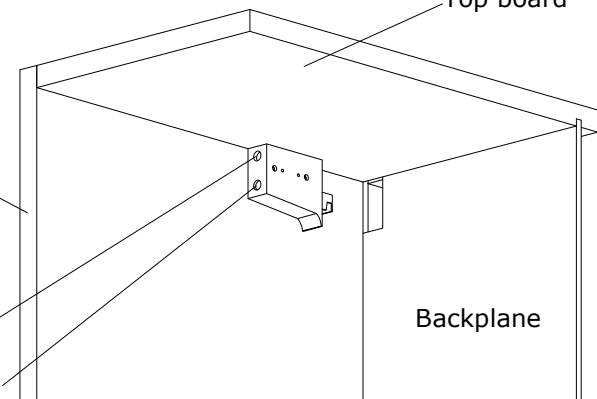
Top board

Side plate

Adjust the height

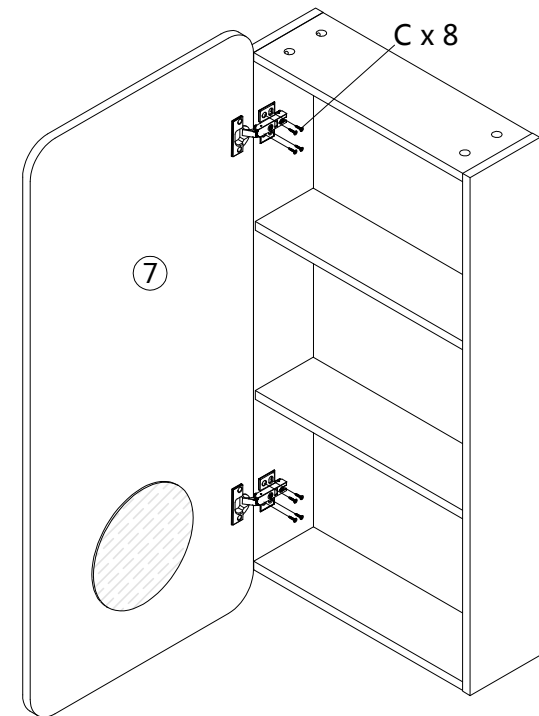
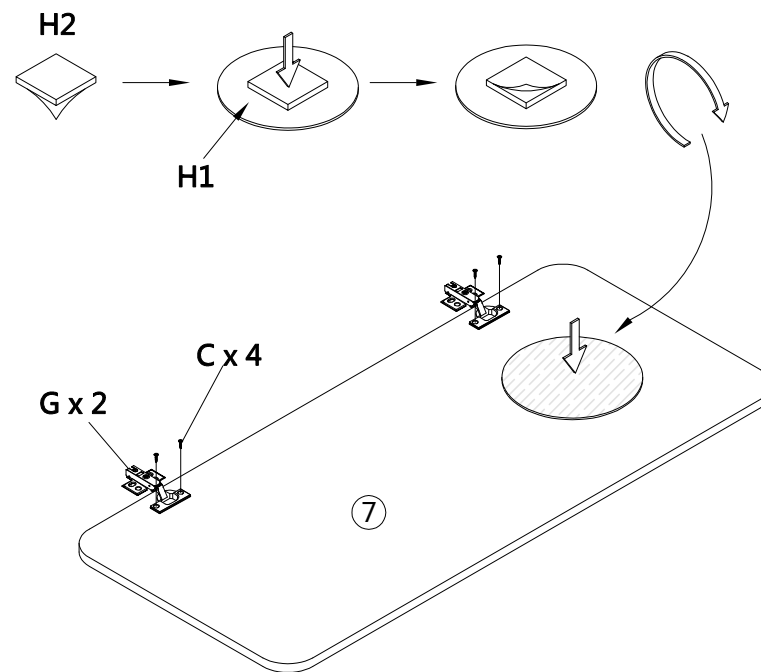
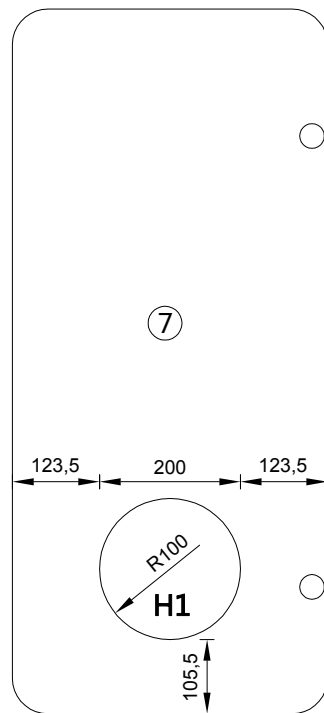
Adjust the depth

Backplane

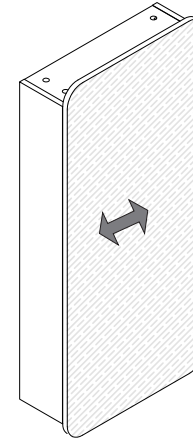
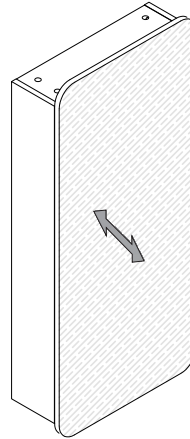
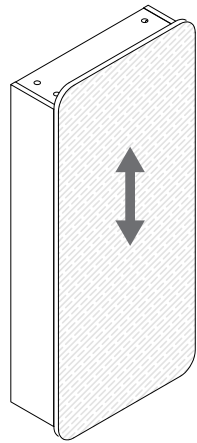


Step 4

C x 12 G x 2 H x 1



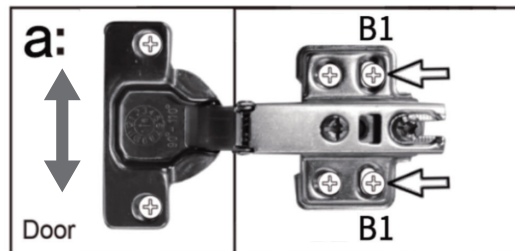
Step 5



Hinge Adjustment

a: To move doors up or down: loosen screws shown and move doors to suit.

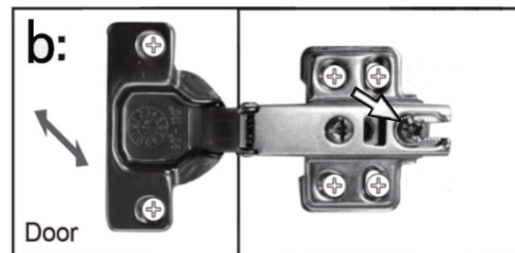
Once doors are aligned re-tighten Screws B1



Hinge Adjustment

b: To move doors in or out: loosen screw shown and move doors to suit.

Re-tighten screws



Hinge Adjustment

c: To move doors left or right: loosen screw shown and move doors to suit.

Re-tighten screws

