

Thank you for choosing a **Palace Imports** product.

Your complete satisfaction is our top priority.

Customer Service and Warranty Information

- **For Warranty Assistance:**

If you experience any issues or require additional information regarding your warranty, please do not contact the place of purchase. Instead, reach out directly to our Customer Service Team at info@palaceimportsinc.com or visit our website at www.palaceimportsinc.com for prompt support.

- **Warranty Coverage:**

PALACE IMPORTS warrants its products to the original purchaser against defects in materials or workmanship. A defect is defined as any flaw that impairs the normal use of the product. This warranty is limited to the replacement of defective parts or components and is valid for one (1) year from the date of purchase.

- **Warranty Limitations:**

This warranty covers products used under normal household conditions. It does not apply to furniture used outdoors or damage resulting from improper assembly or disassembly, product modification, intentional damage, accidents, misuse, exposure to elements, or any labor or assembly costs.

- **Additional Terms:**

PALACE IMPORTS reserves the right to require proof of purchase to process any warranty claim. We are not liable for any incidental or consequential damages arising from the misuse of our products.

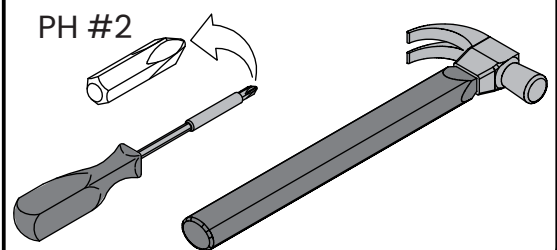
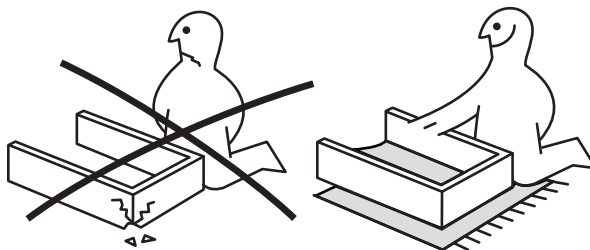
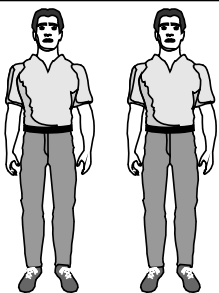
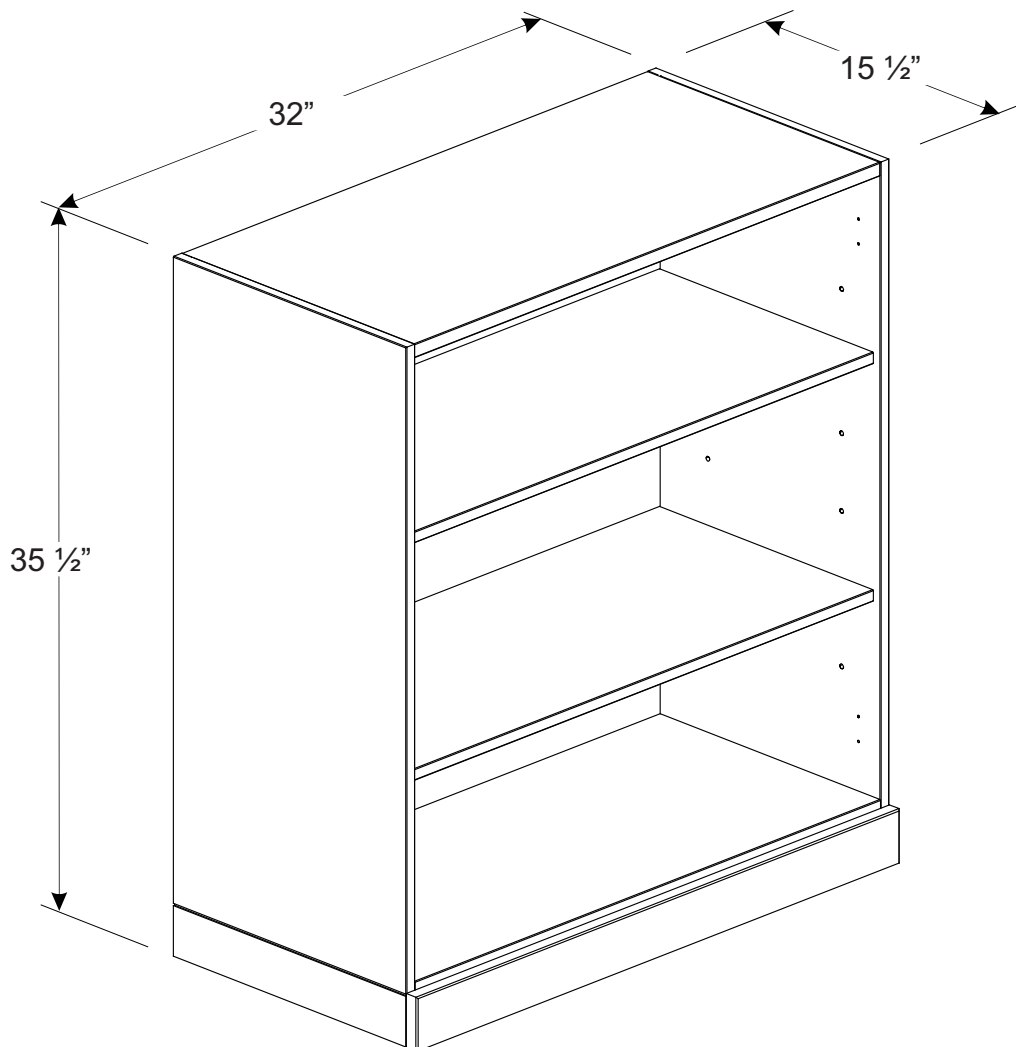


ASSEMBLY GUIDE

32" UNIT

SKU 9201 - White
SKU 9203 - Mocha
SKU 9205 - Gray
SKU 9207 - Black
SKU 9208 - Teal
SKU 920-10 - Yellow

SKU 920-11 - Aqua
SKU 920-12 - Green
SKU 920-13 - Sage
SKU 920-14 - Beige
SKU 920-15 - Navy Blue
SKU 920-16 - Antique Blue



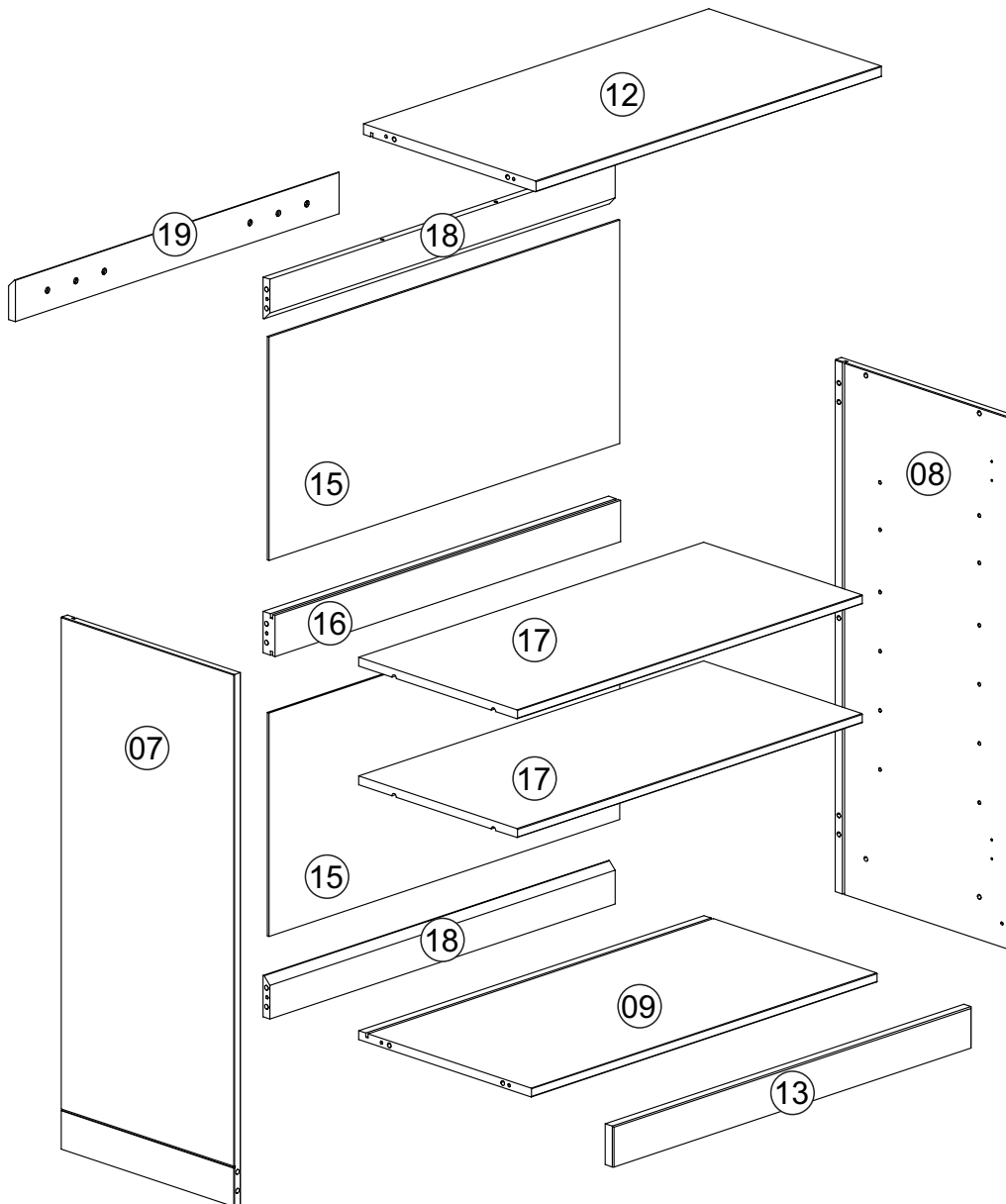
Before You Begin Assembly

- Carefully inspect the package contents. A complete parts checklist is provided below.
- If any parts are missing or damaged, please contact us at info@palaceimportsinc.com for assistance.


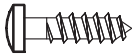

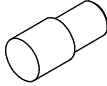
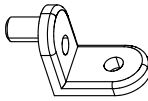
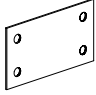
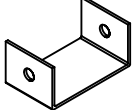
Assembly Tips

- Assemble the item on a flat, smooth surface. We recommend placing a blanket or protective covering underneath to prevent scratches.
- Use a power drill **only at a low-speed setting** to avoid damaging components.
- Assemble the product as close as possible to its final location to minimize the need for moving it later.
- Important: The hardware pack contains small parts that may pose a choking hazard. **Keep all small items out of reach of young children.**

PARTS LAYOUT




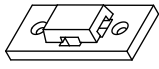

Screws Are Illustrated at Actual Size for Accurate Reference

A1	 4,0x30	18+1
A44	 3,5x14	16+1
C2	 8,0x25	24+2
D4	 Ø6x8	08+1
D57	 18x17x2,5	04
D58	 66x35x1,2	01
D59	 30x14x19	02

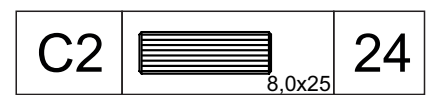
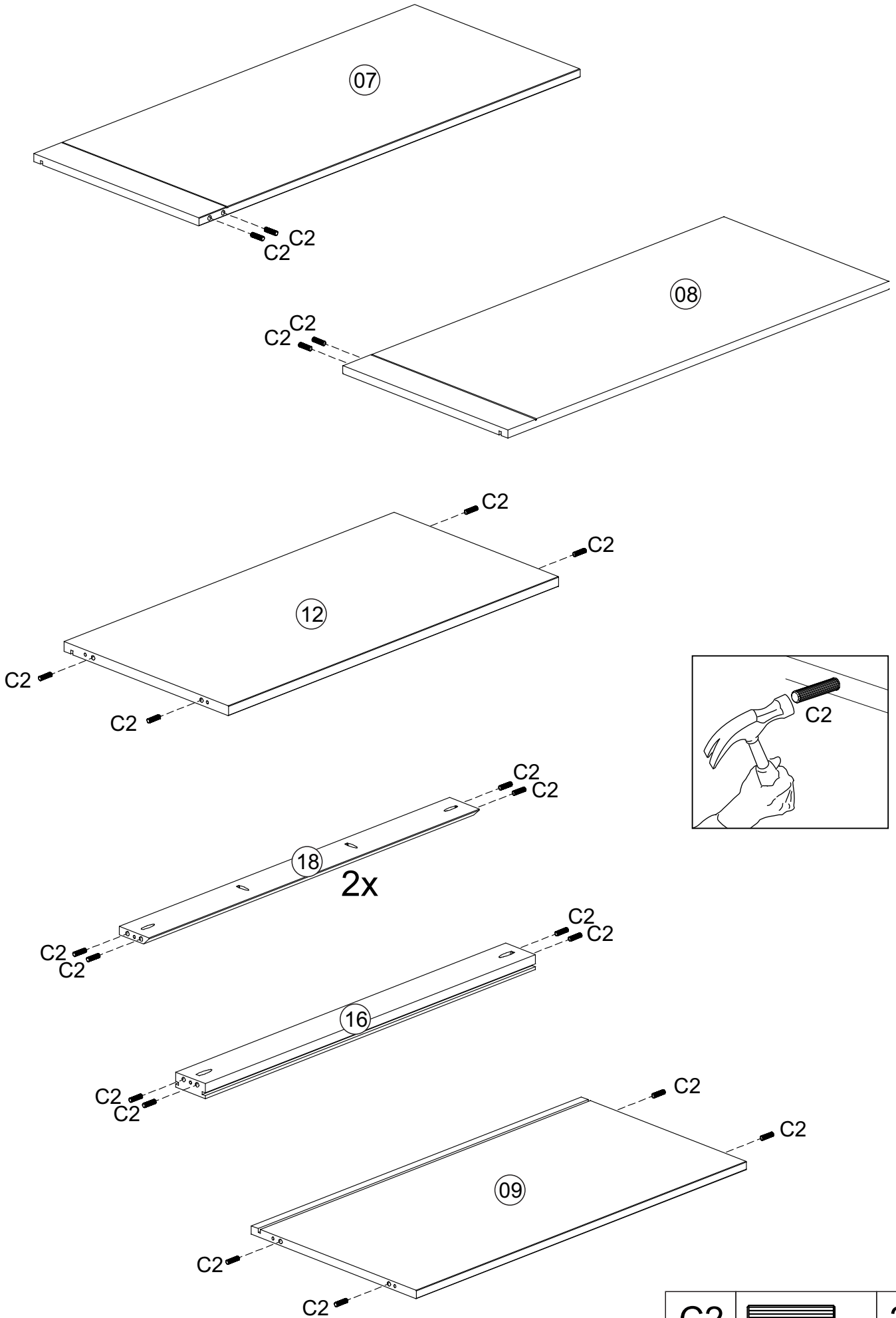
! WARNING:
CHOKING HAZARD
Contains small parts - choking hazard.
Adult supervision is required during assembly.
Not suitable for children under 3 years of age.

! WARNING:

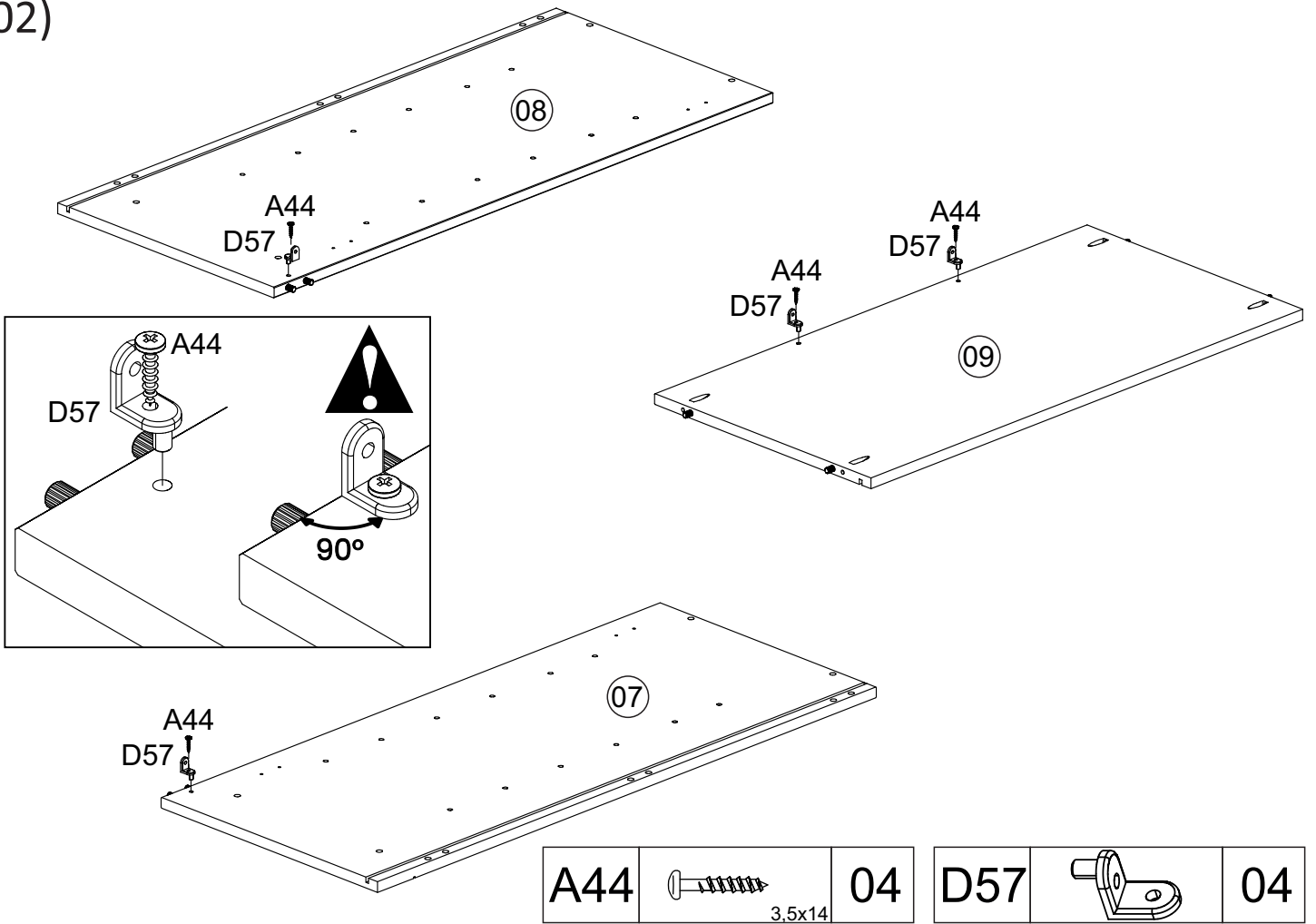
Important Safety Notice:
This furniture includes tip-over prevention hardware, which **MUST** be securely attached to the wall as outlined in the assembly instructions. Failure to do so may result in serious injury or death.

Tip-Over Restraint Kit		
A47	 3,0x20	02+1
F8	 47x20x9	02
F15	 300mm	01

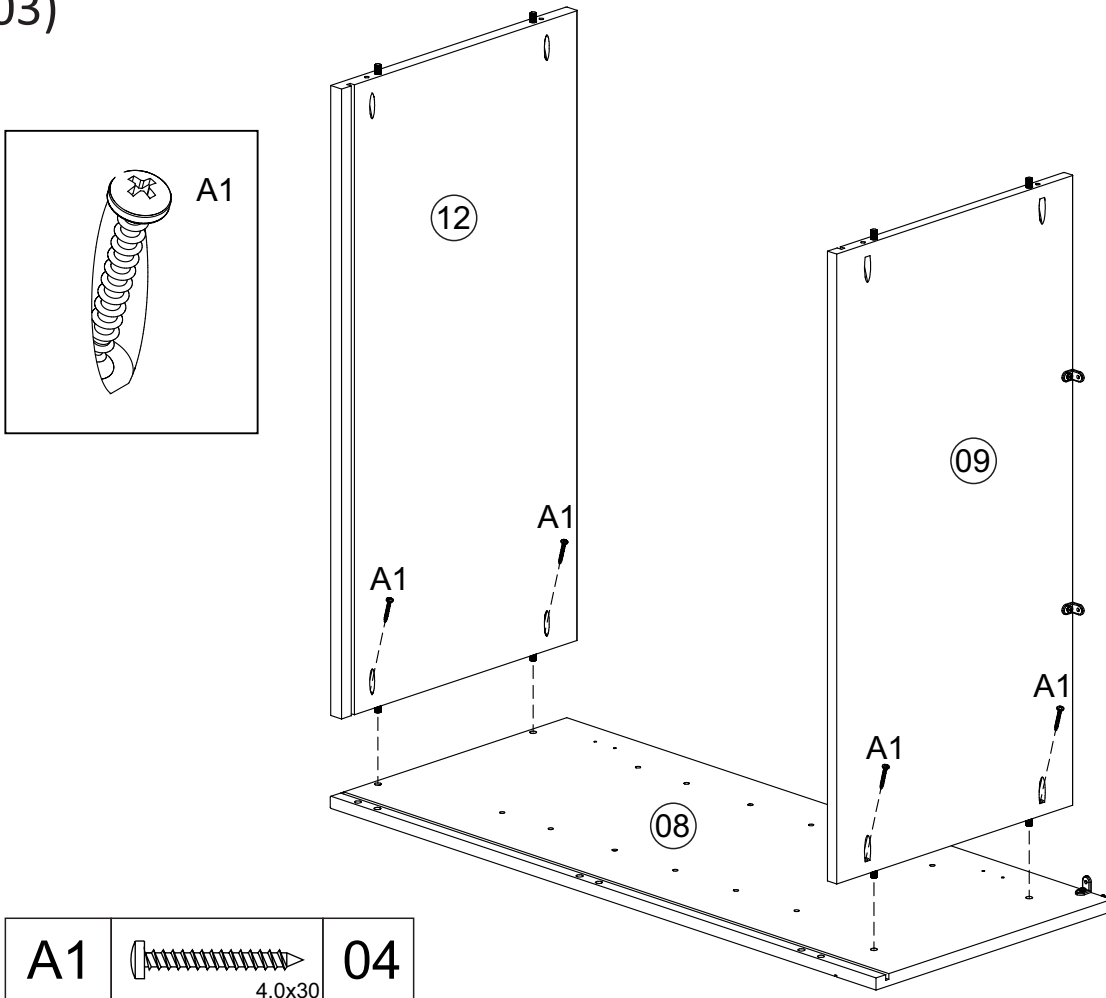
01)



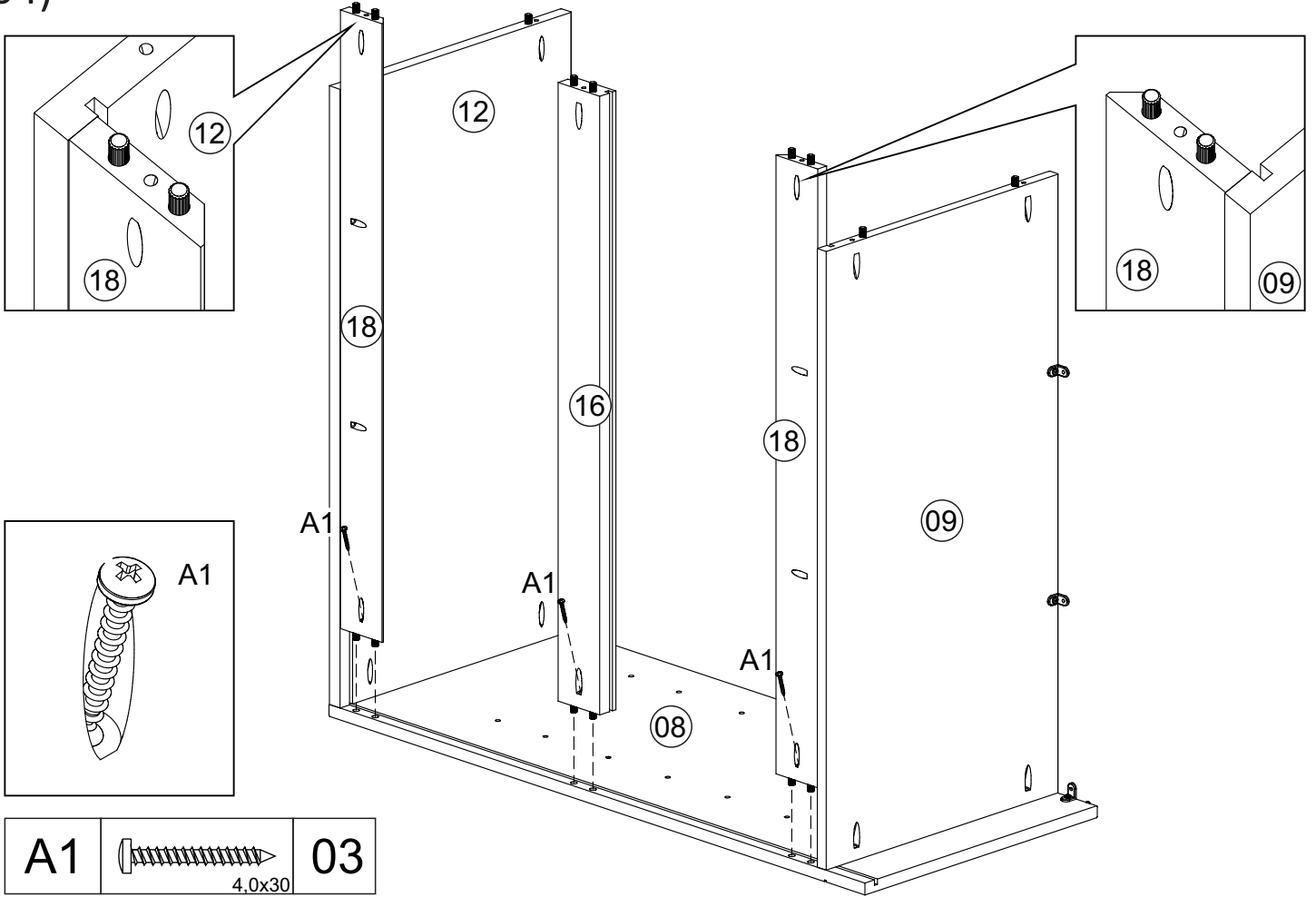
02)



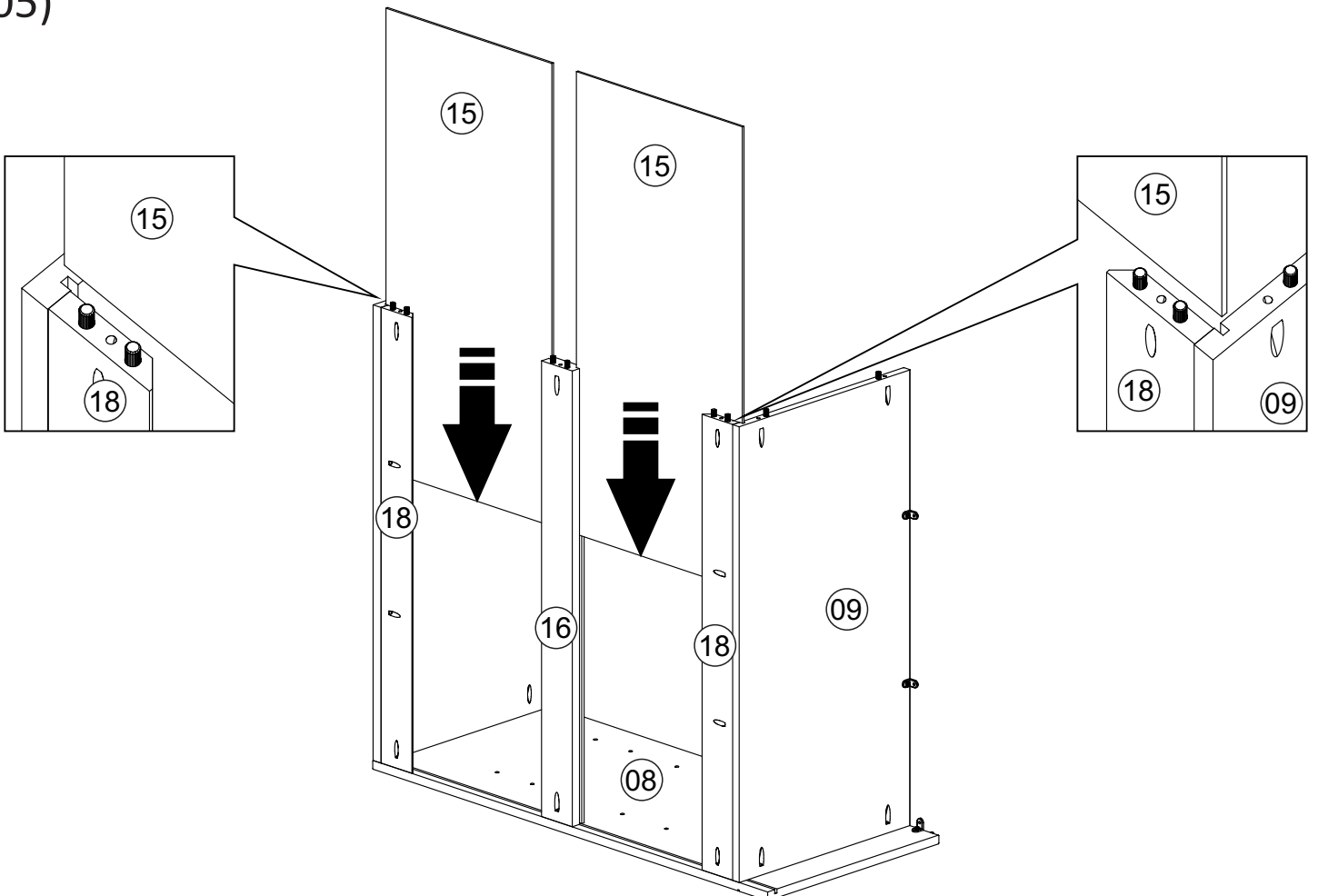
03)



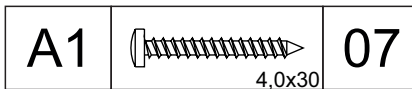
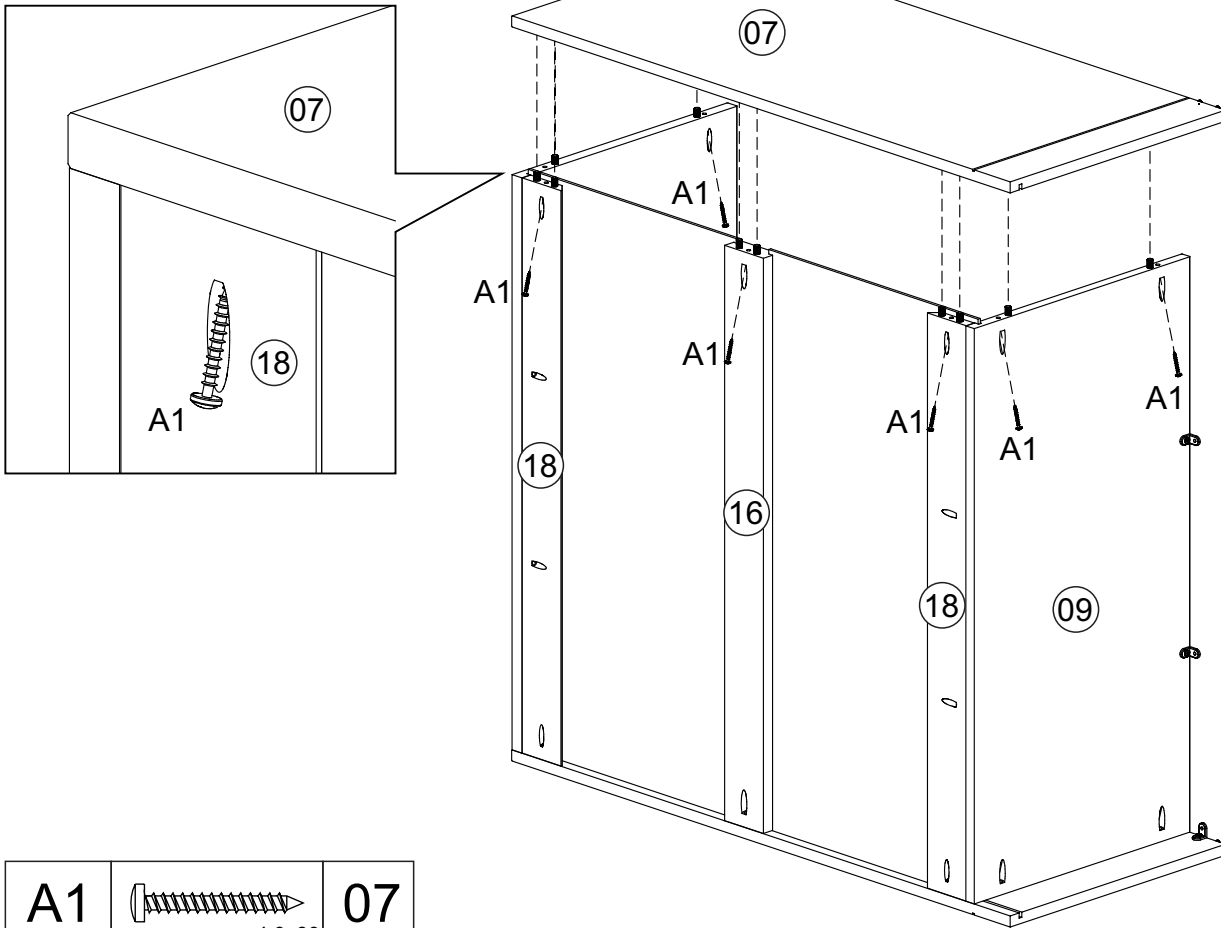
04)



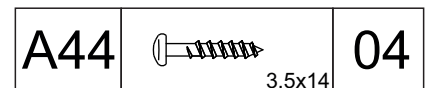
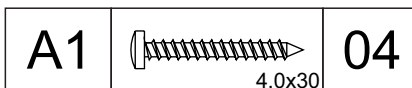
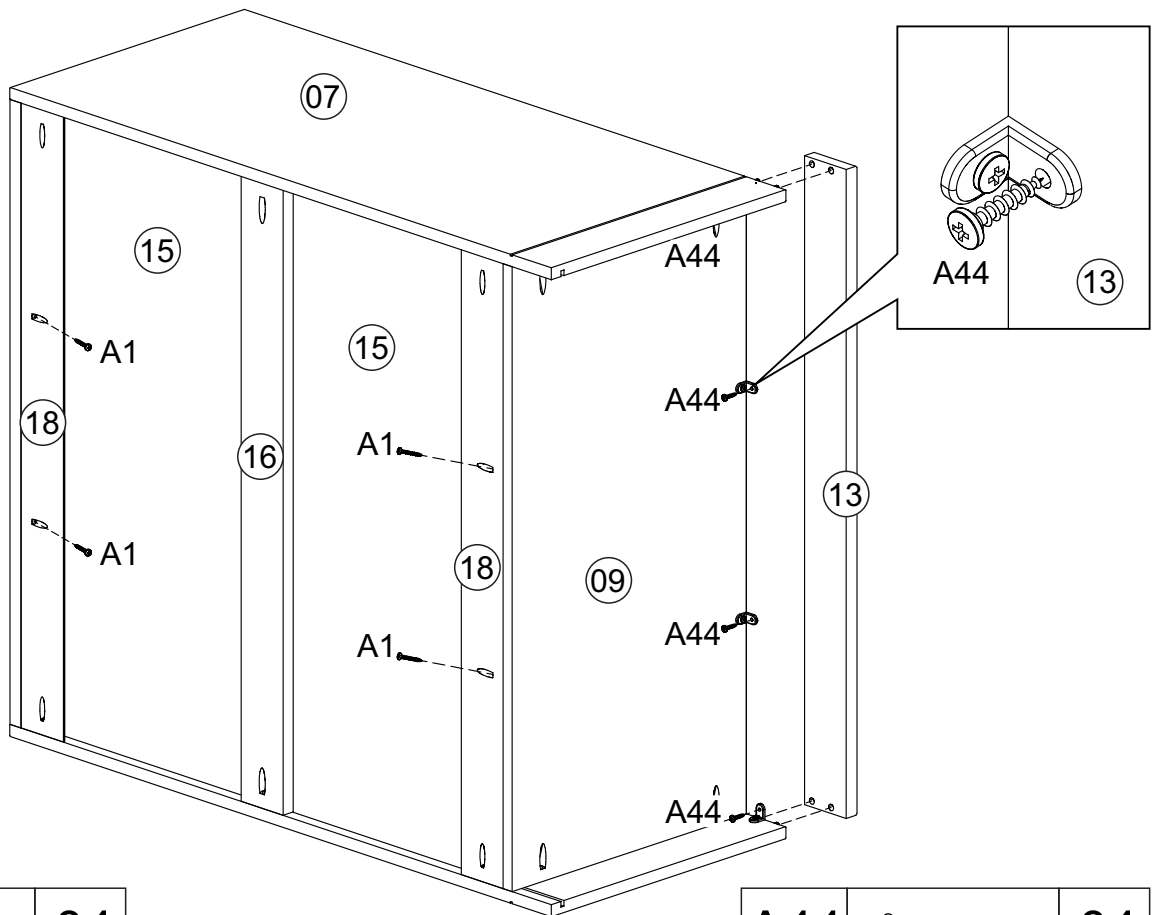
05)



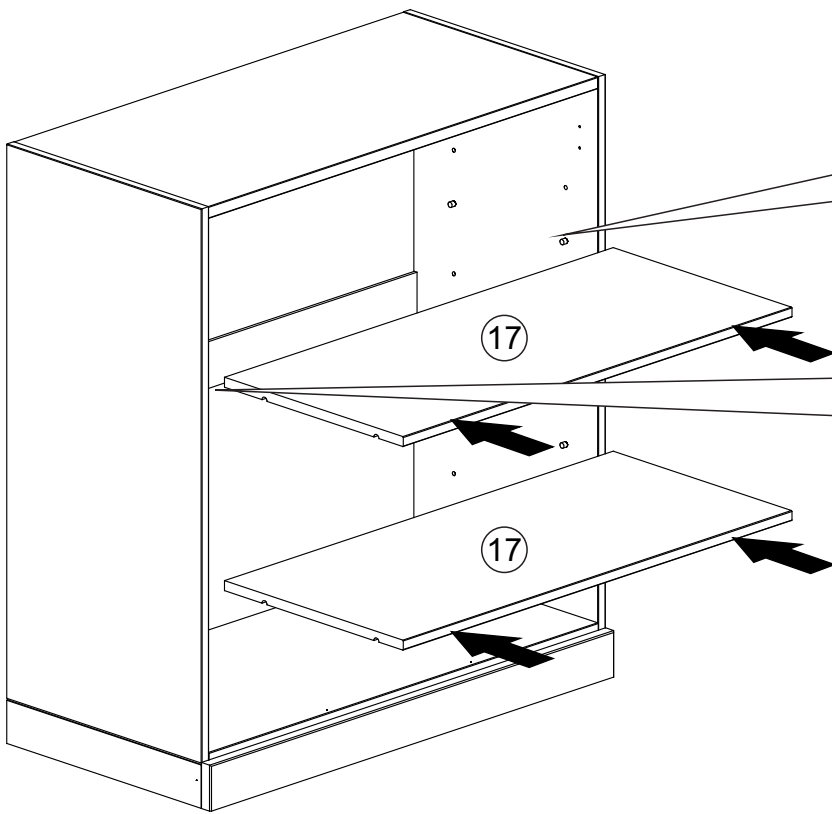
06)



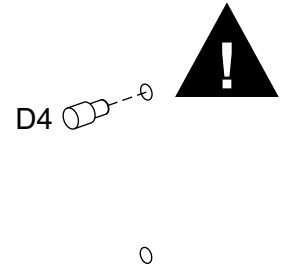
07)

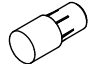


08)

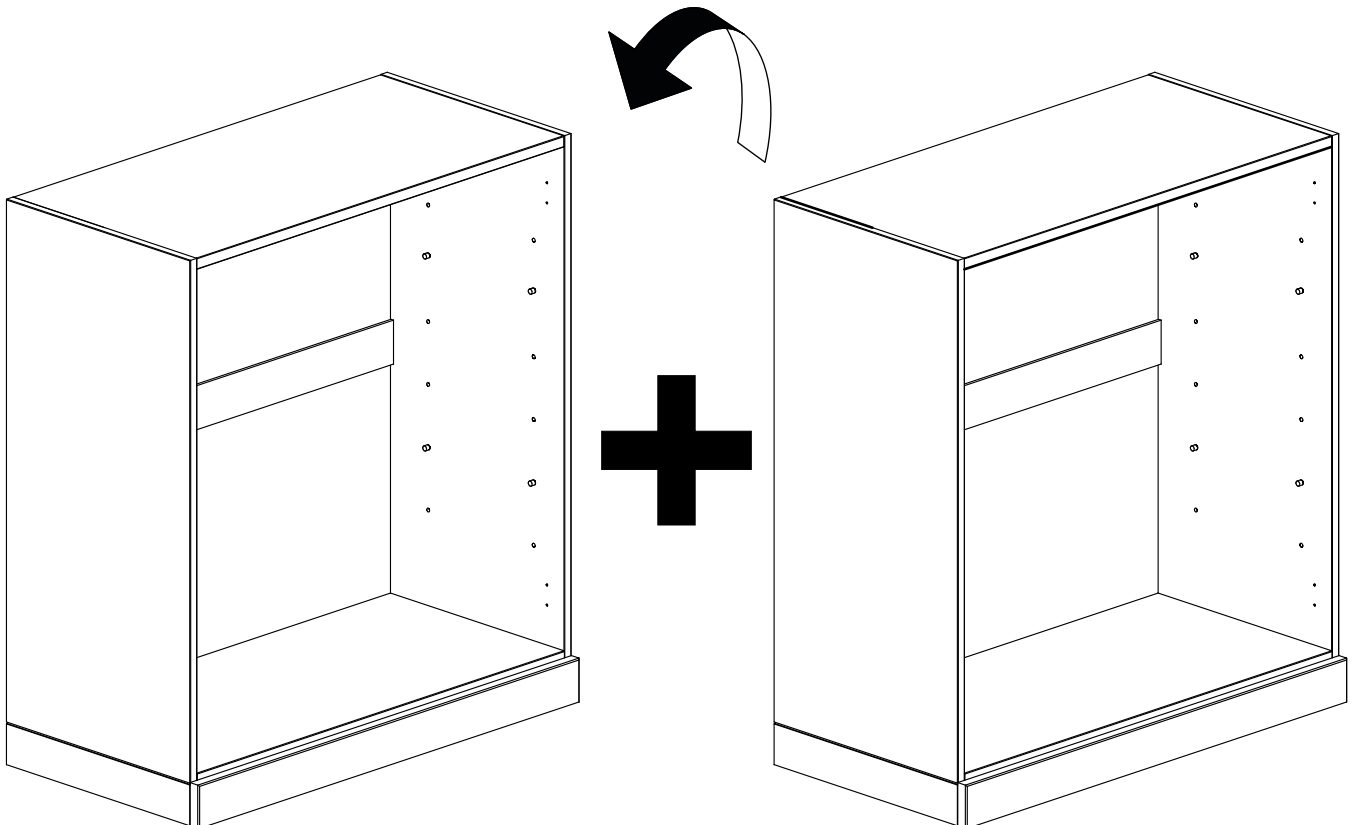


Select the desired shelf height and insert the metal pegs into the corresponding holes. 0

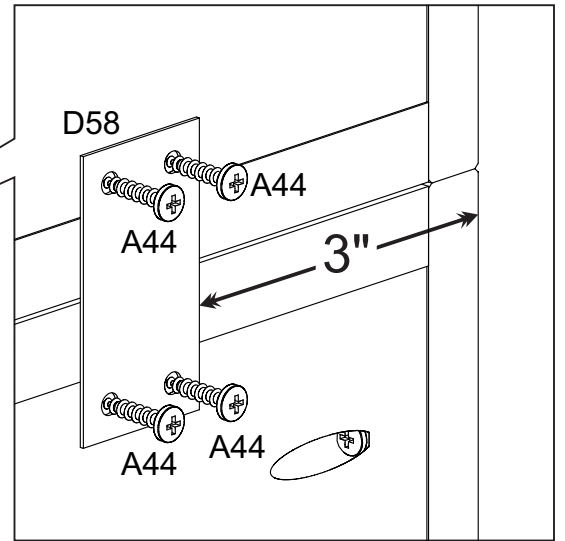
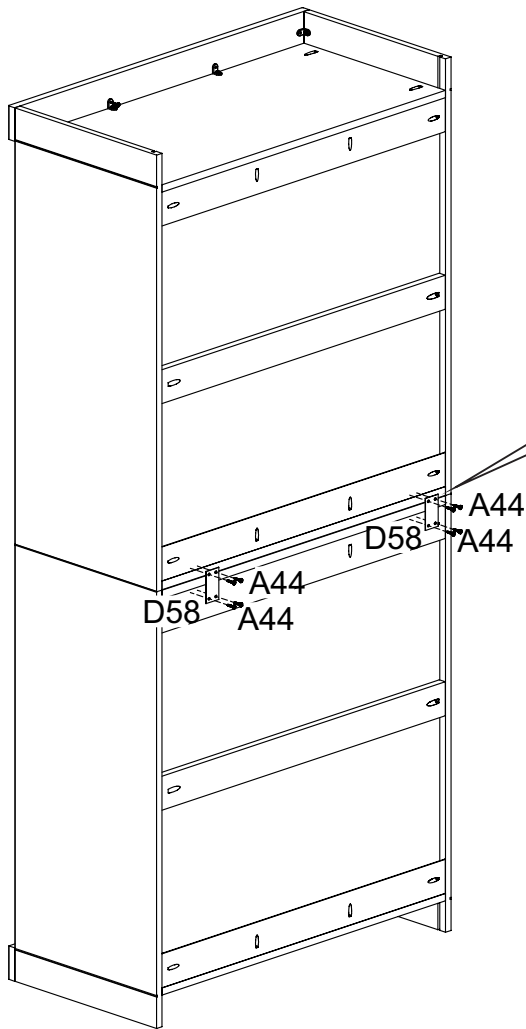


D4		08
----	---	----

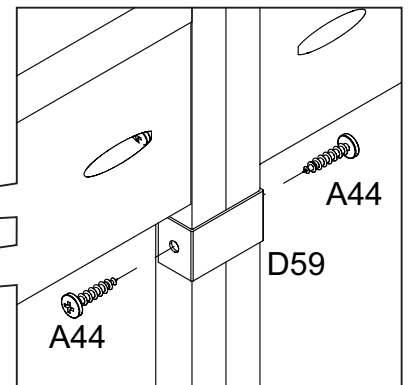
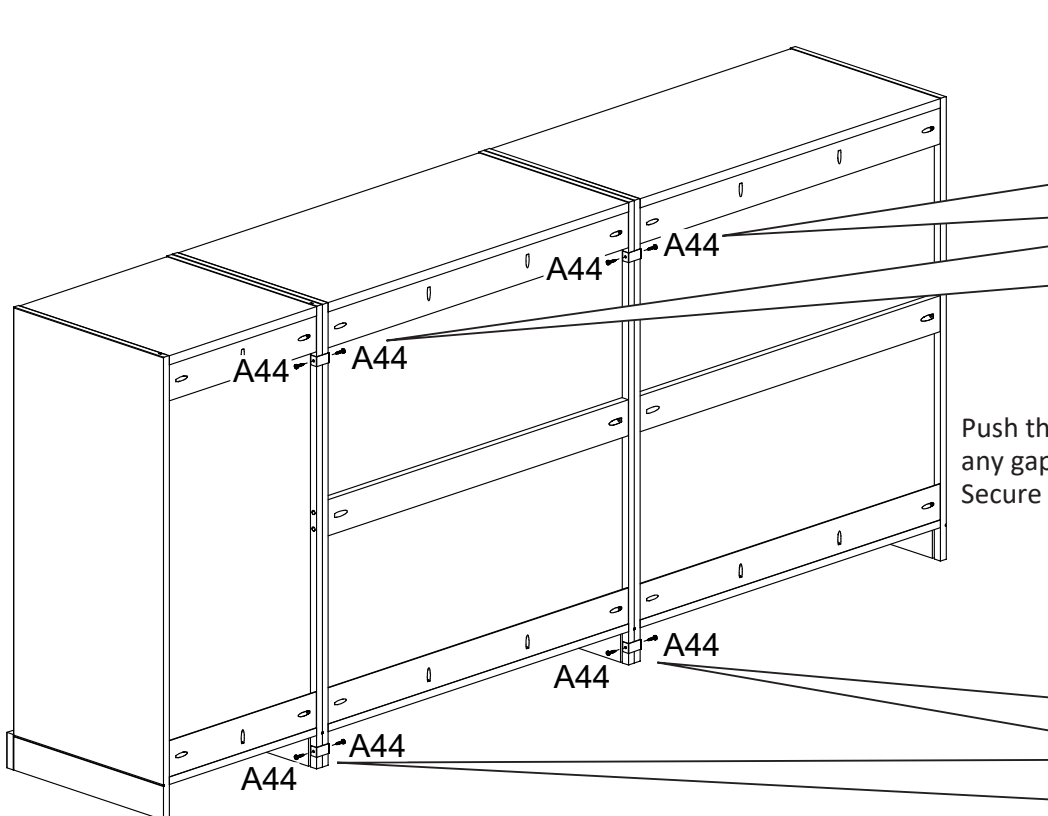
09) Stacking and Connecting Multiple Units



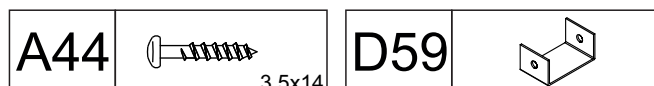
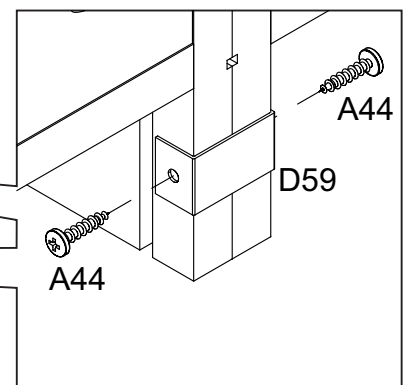
10)



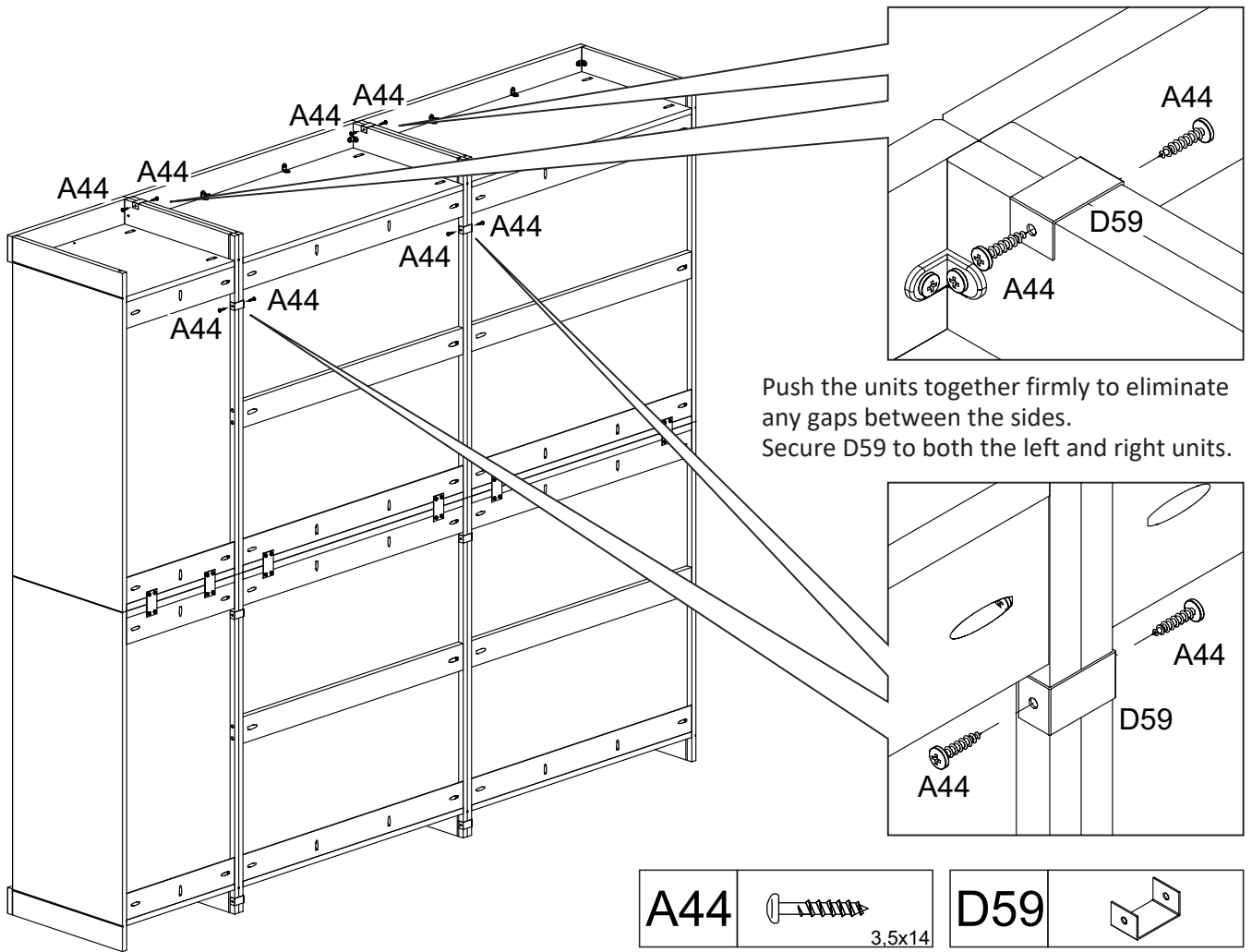
11) Connecting Multiple Units Sideways



Push the units together firmly to eliminate any gaps between the sides.
Secure D59 to both the left and right units.

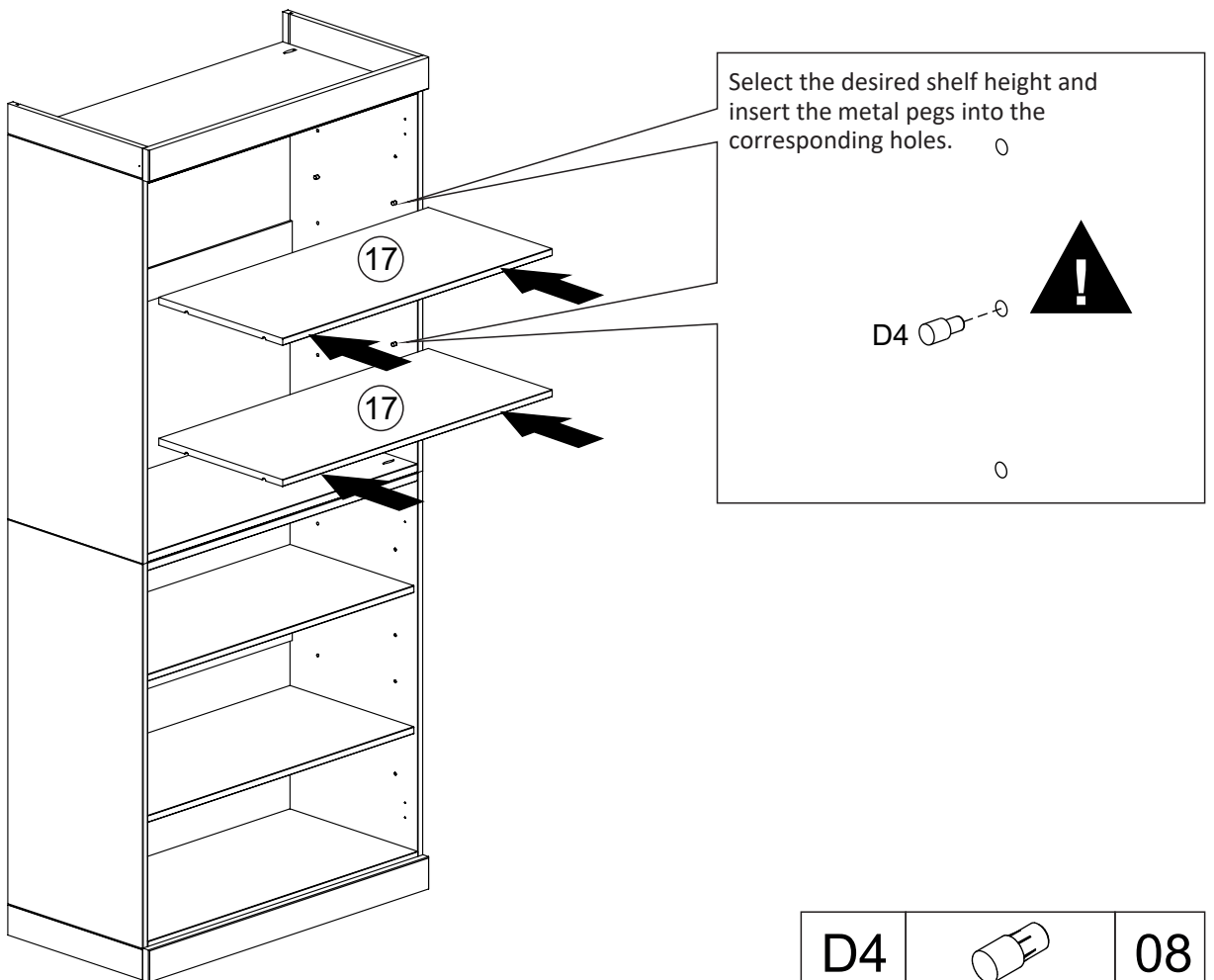


12)

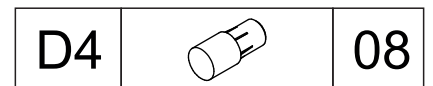
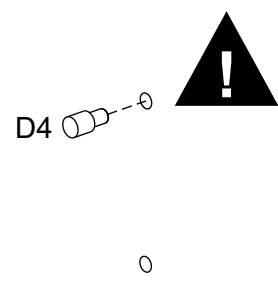


Push the units together firmly to eliminate any gaps between the sides.
Secure D59 to both the left and right units.

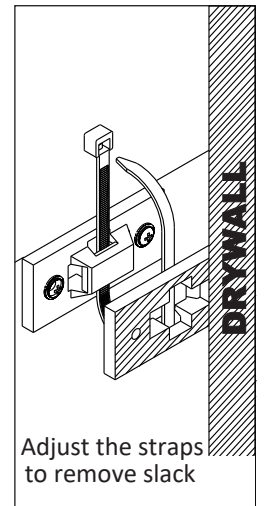
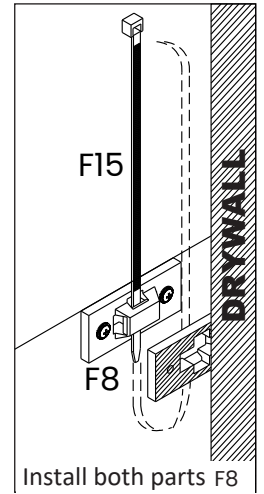
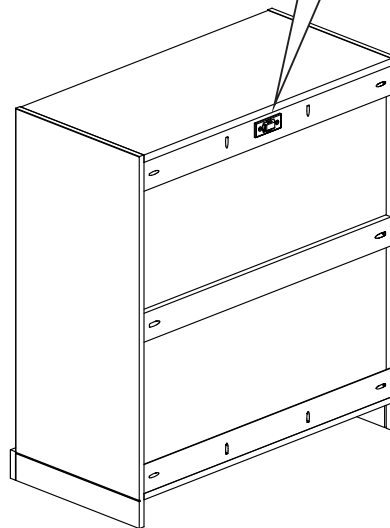
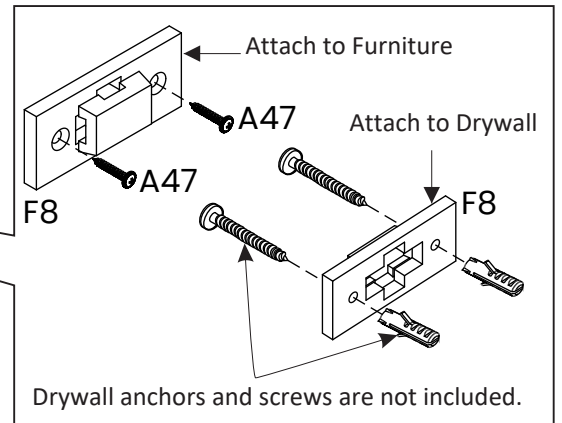
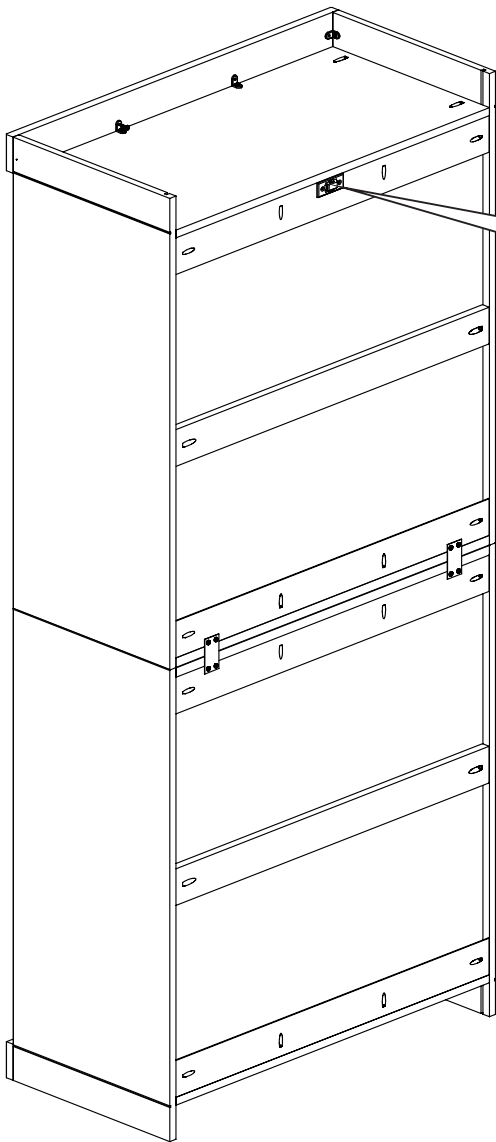
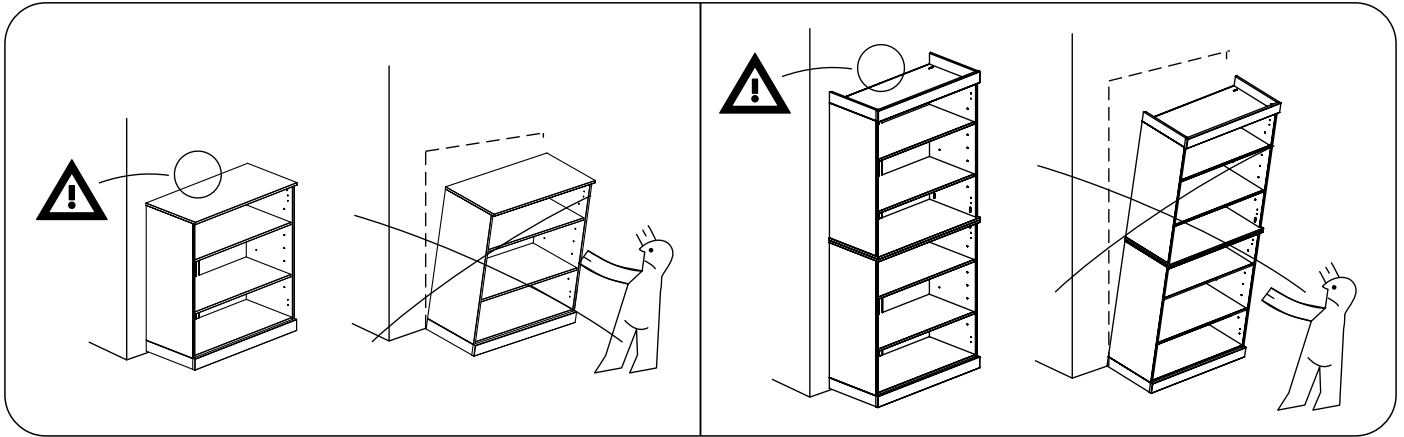
13)

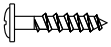
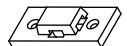



Select the desired shelf height and insert the metal pegs into the corresponding holes.

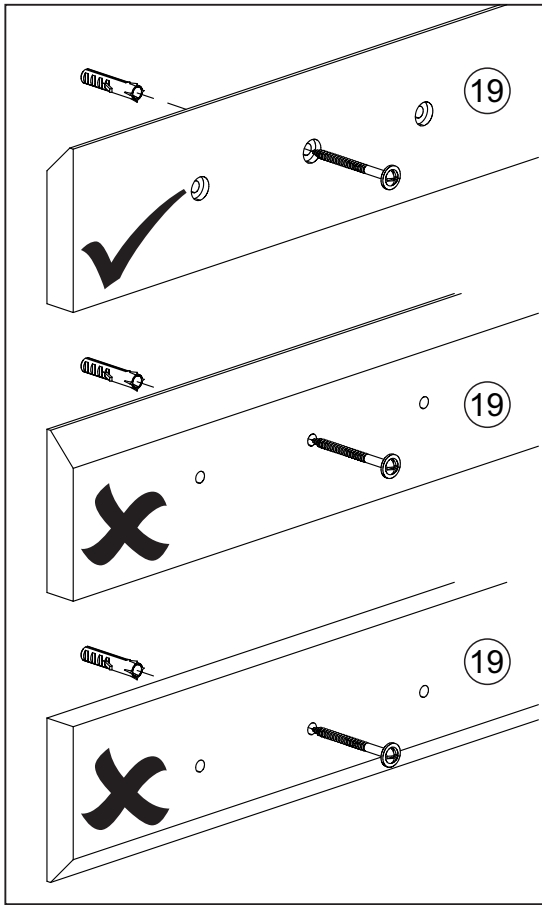


14) Tip-over Restraint Kit Installation

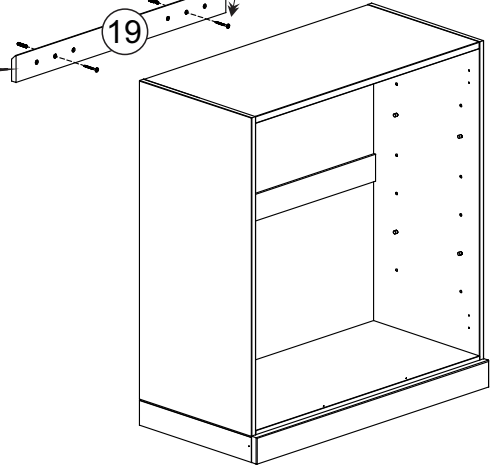


A47	 3,0x20	2
F8		2
F15		1

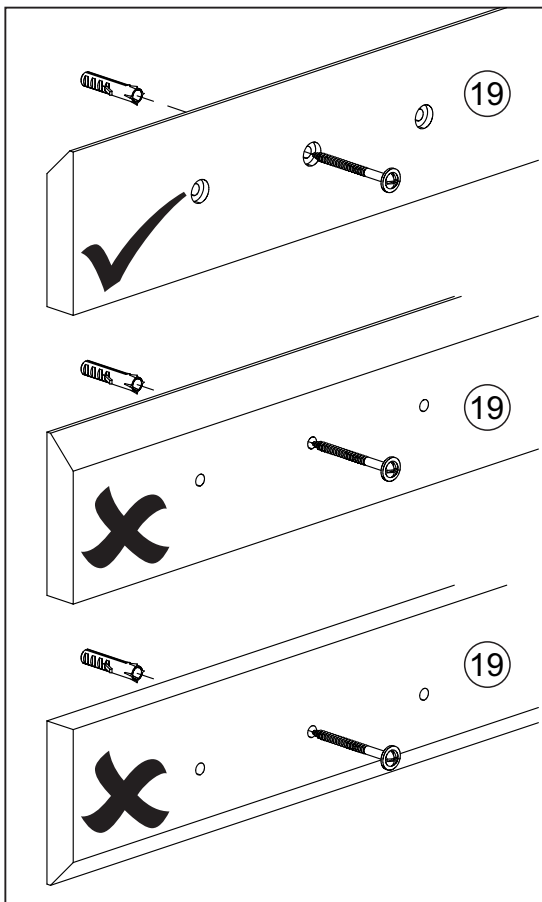
15) Mounting Wall Cabinets with the Molding Facing Downward



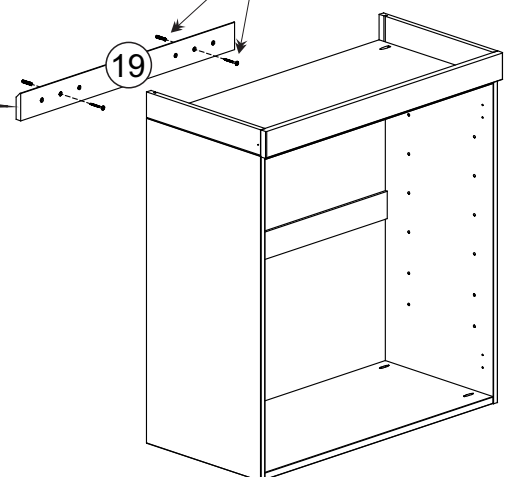
Anchors and screws are not included.



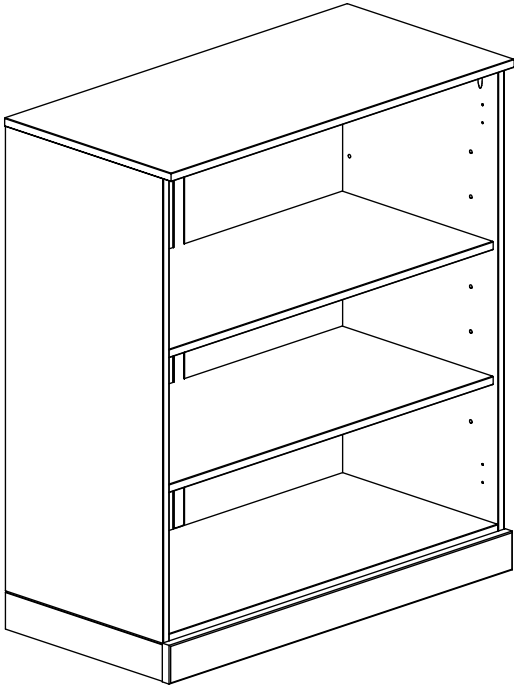
16) Mounting Wall Cabinets with the Molding Facing Upward



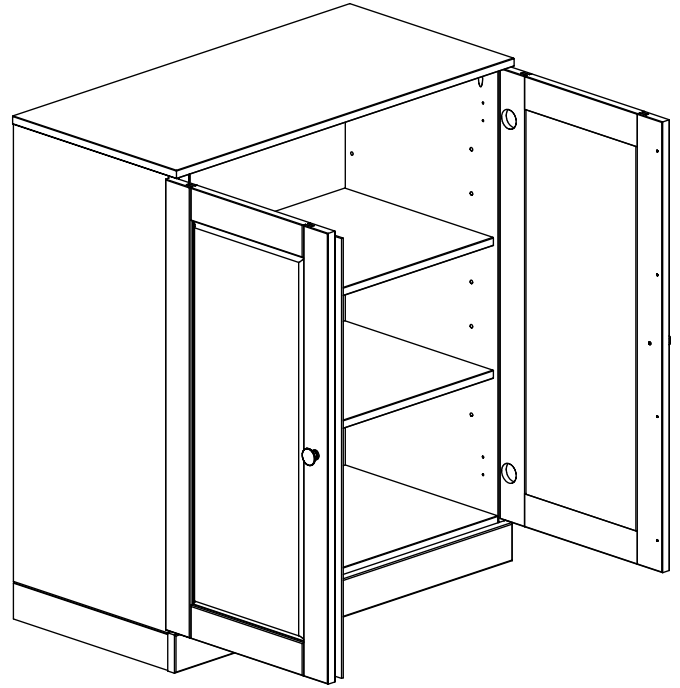
Anchors and screws are not included.



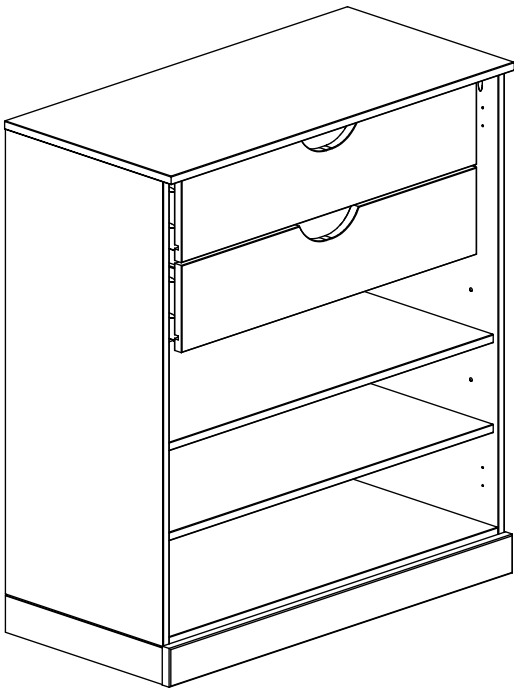
17) This product is modular and can be expanded into multiple configurations with the addition of extra units, doors, or drawer sets (sold separately)



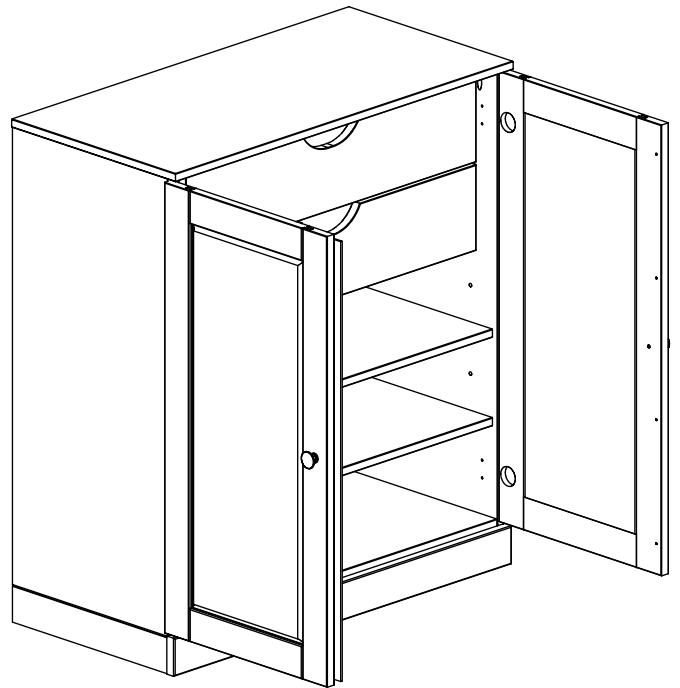
32" Unit



32" Unit + Doors



32" Unit + 2-Drawer Set



32" Unit + Doors + 2-Drawer Set

18) Examples of additional possible configurations

