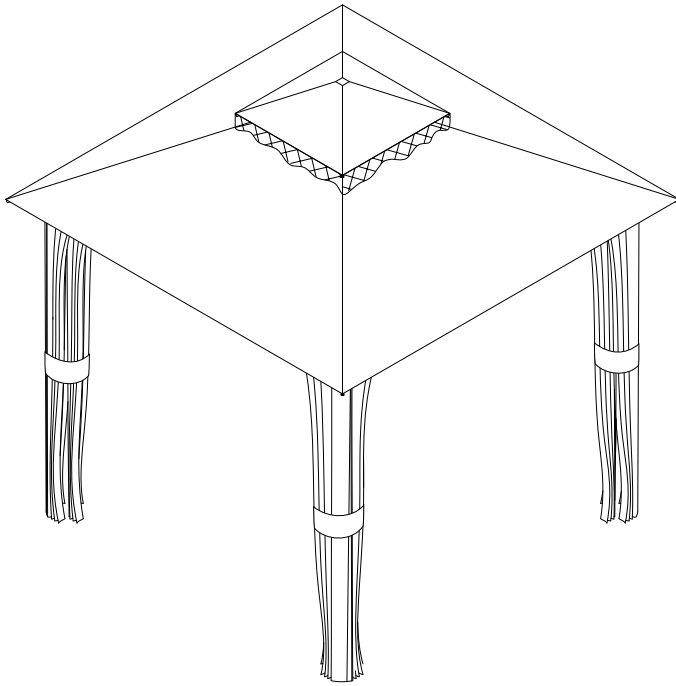


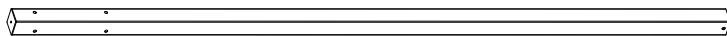
12'X12' SOFTTOP GAZEBO

Gentle Chic Collection



GZCT010-004-CP1/GZCT010-004-GR4/GZCT010-004-BG5
GZCT010-004-BL3/GZCT010-004-BL5

Component List



A x 4



B1 x 4



B2 x 4



C1 x 4



C2 x 4



D1 x 4



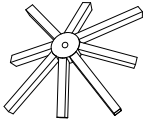
D2 x 8



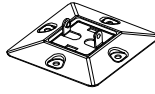
E x 8



Component List



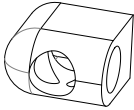
F x 1



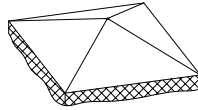
G x 4



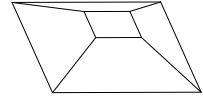
H x 8



J x 16



K x 1



L x 1



M x 4

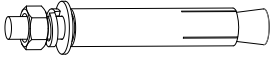


N x 4

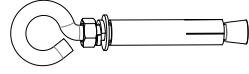


P x 4

Component List



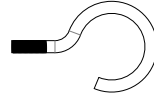
Q x 8



R x 4



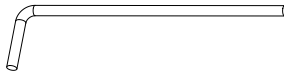
S x 4



T x 1



U x 4

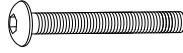


V x 8

Component List



AA x (56+1)
(M6 x 15)



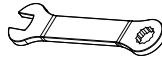
BB x (24+1)
(M6 x 35)



CC x (8+1)
(M6)



DD x 1



EE x 1

DO NOT FULLY TIGHTEN ALL SCREWS UNTIL ASSEMBLY IS COMPLETED.

Assembly of Base Frame

1.1 A (x4)

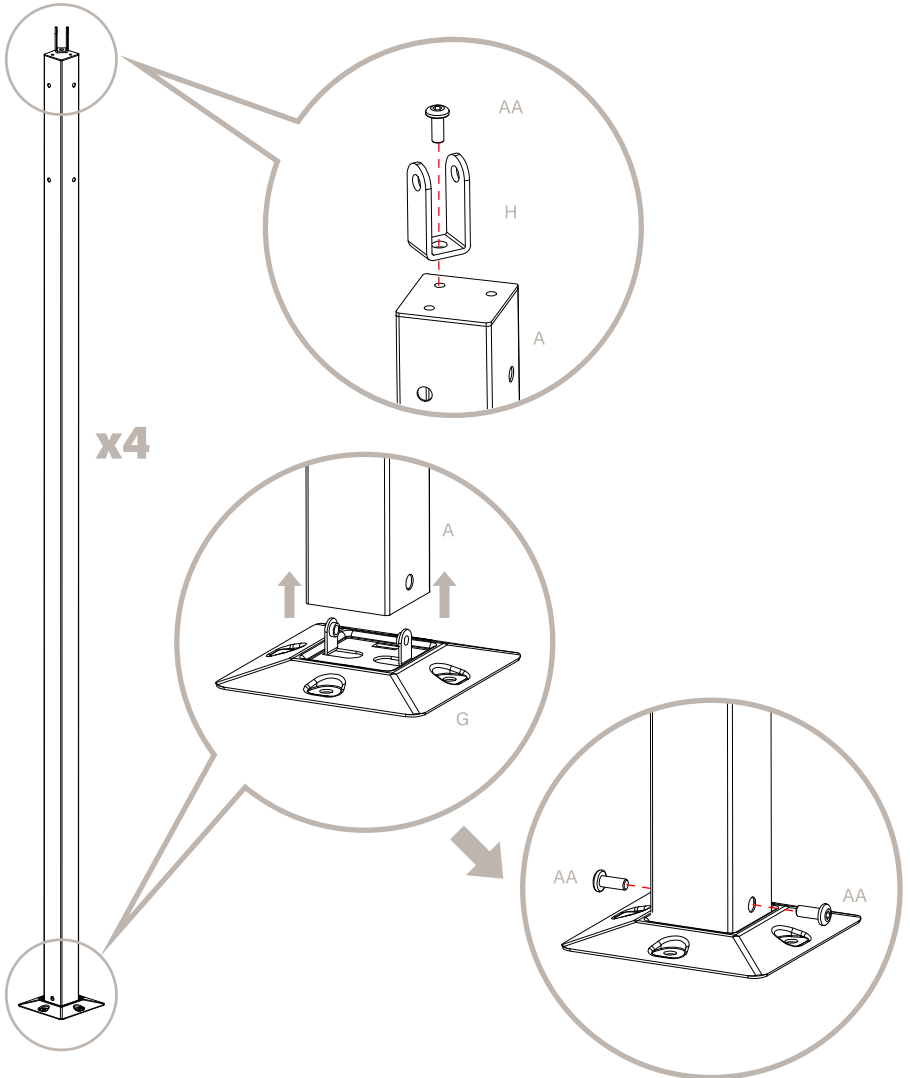
G (x4)



H (x4)



M6 X 15 AA (x12)



1.2



B1 (x4)



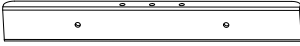
H (x4)



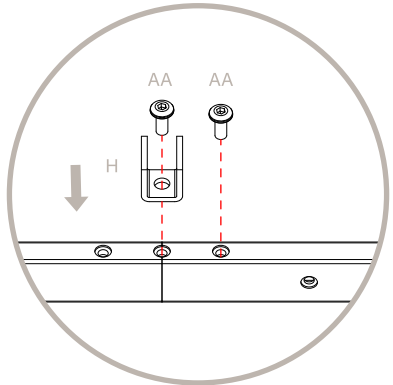
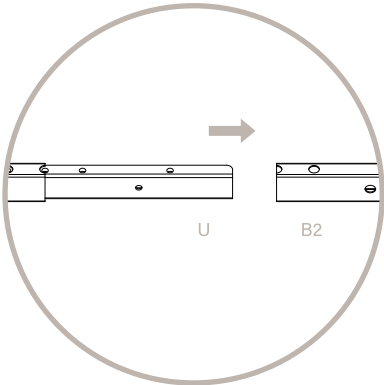
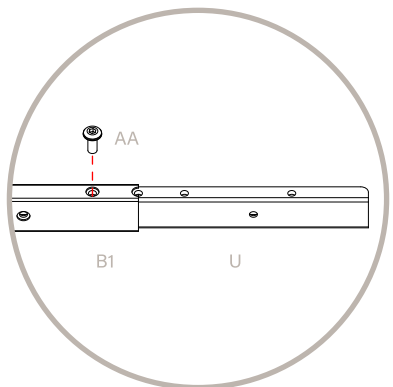
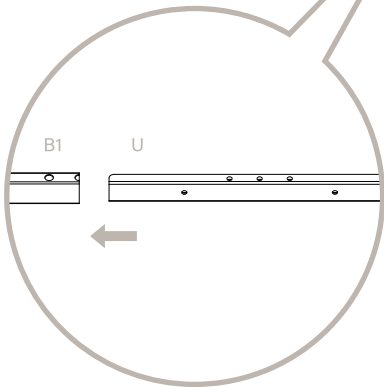
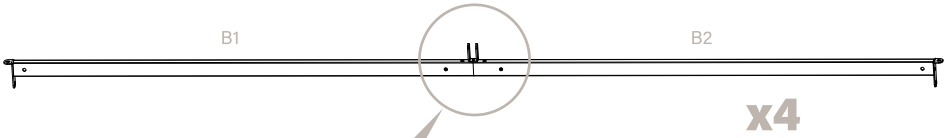
B2 (x4)



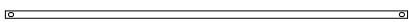
M6 X 15 AA (x12)



U (x4)



1.3



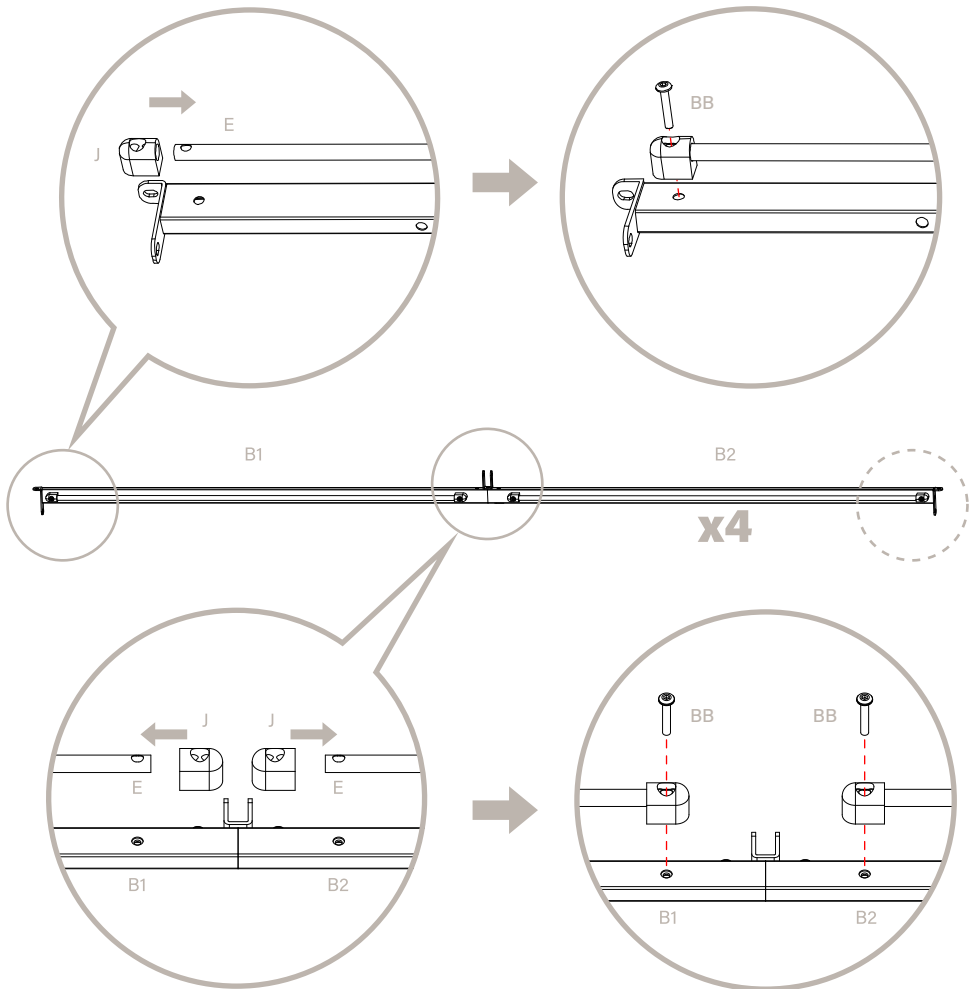
E (x8)



J (x16)



M6 X 35 BB (x16)



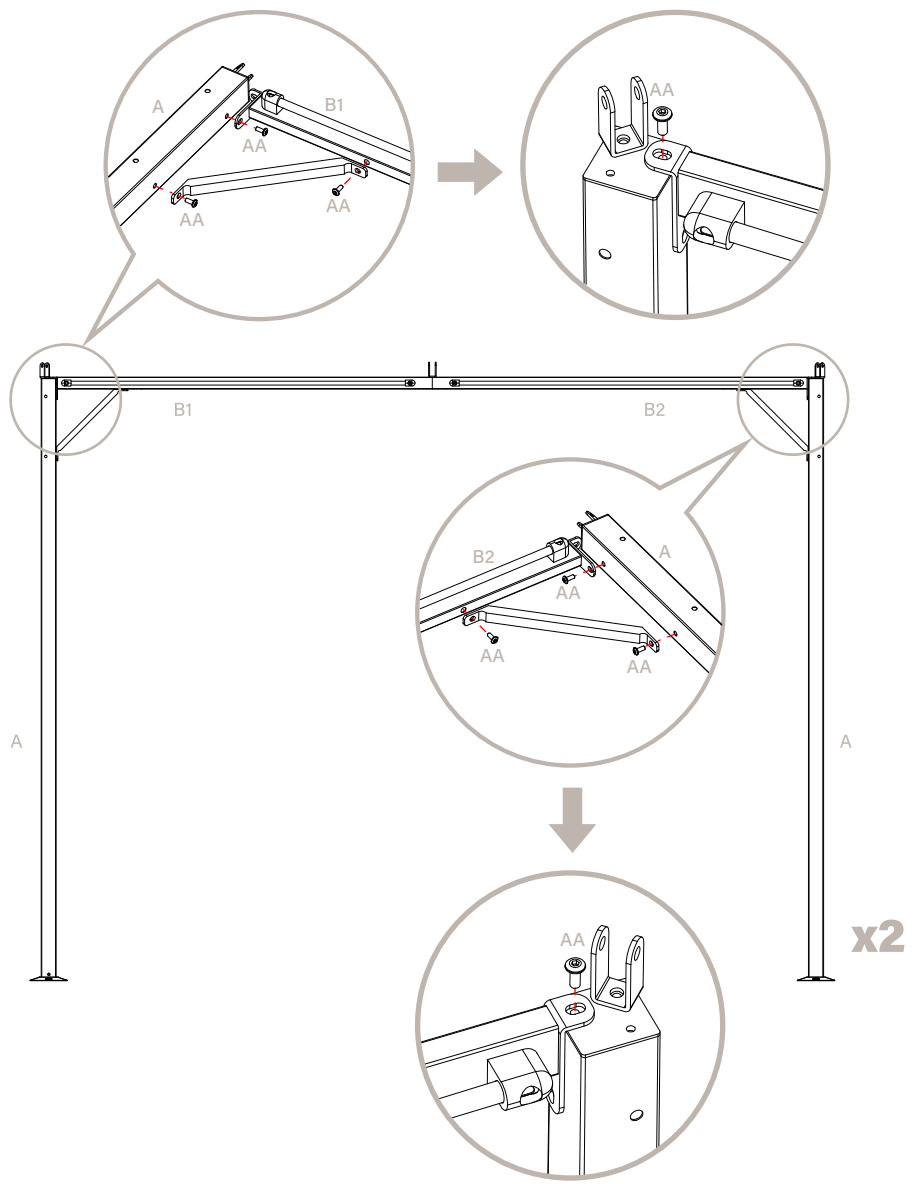
1.4



D2 (x4)



M6 X 15 AA (x16)



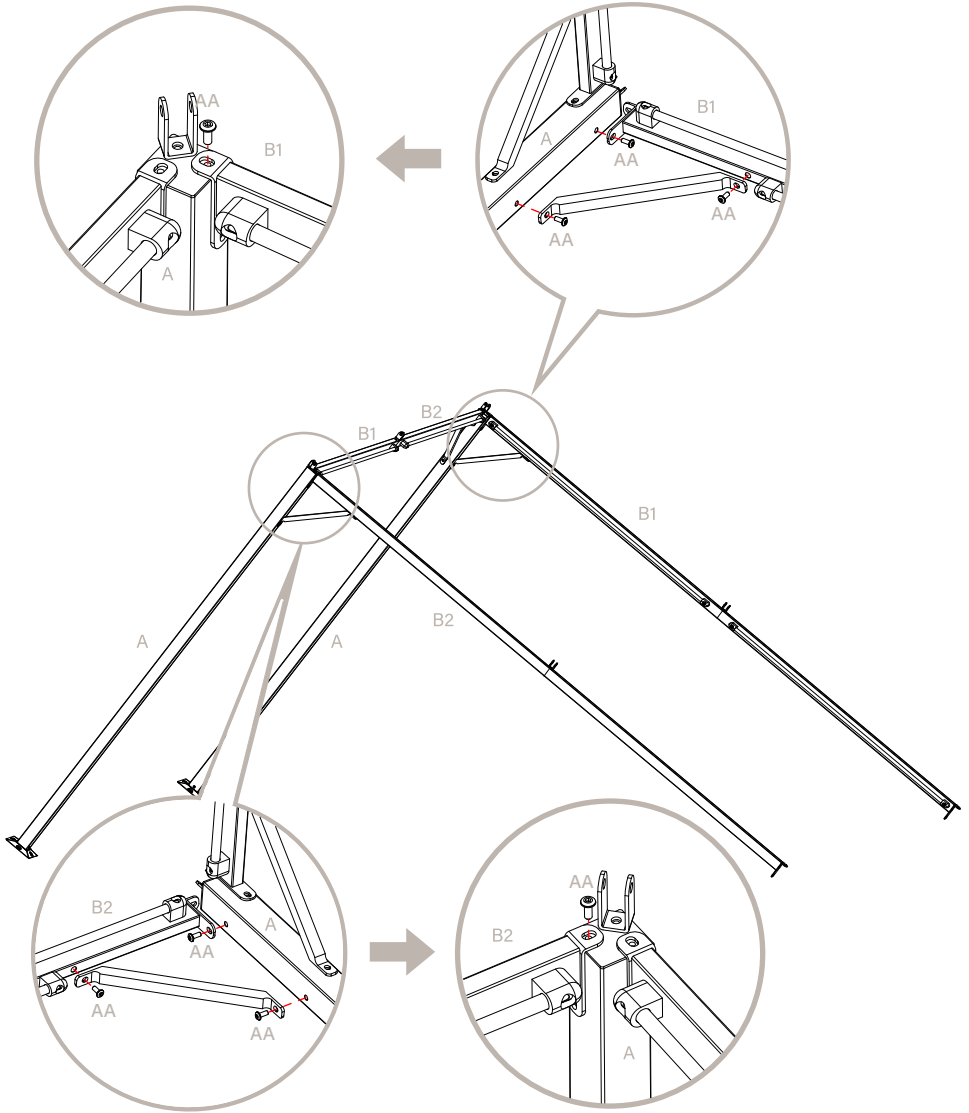
1.5



D2 (x2)



M6 X 15 AA (x8)

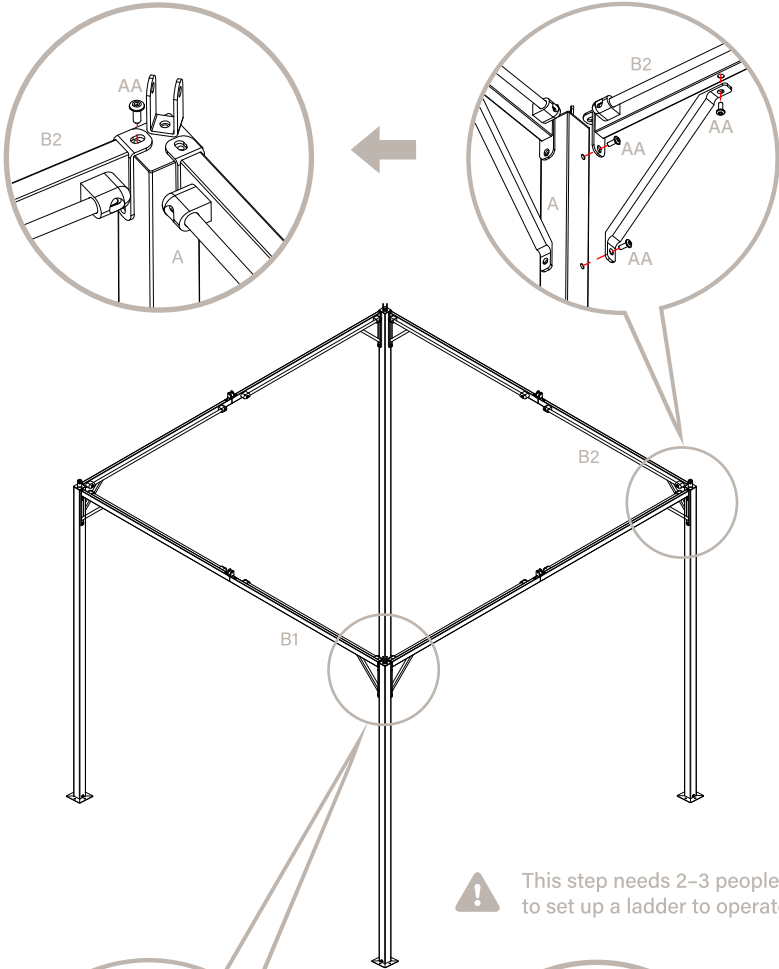




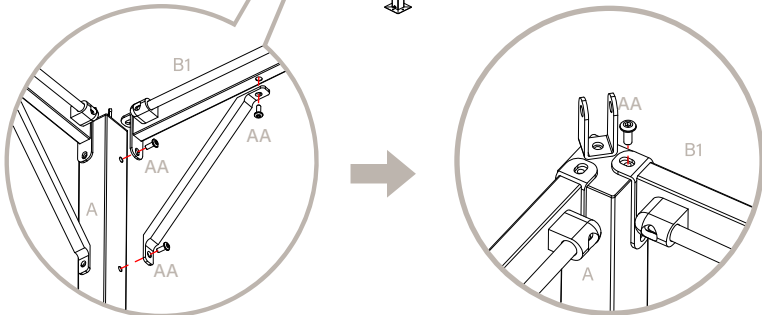
D2 (x2)



M6 X 15 AA (x8)



This step needs 2-3 people
to set up a ladder to operate.




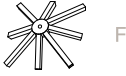
Assembly of Roof and Curtains



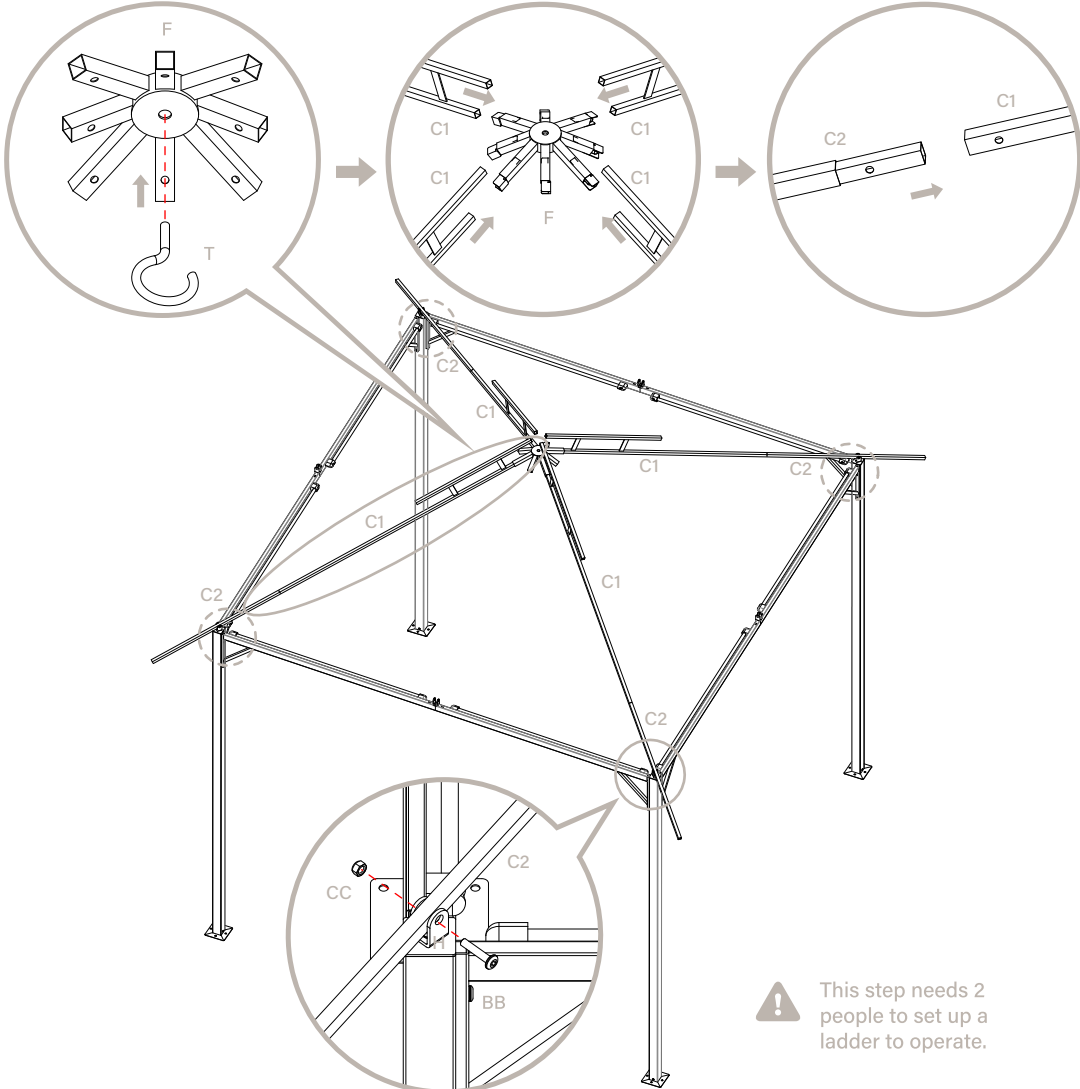
2.1

 C1 (x4)

 C2 (x4)




M6 DD (x4)



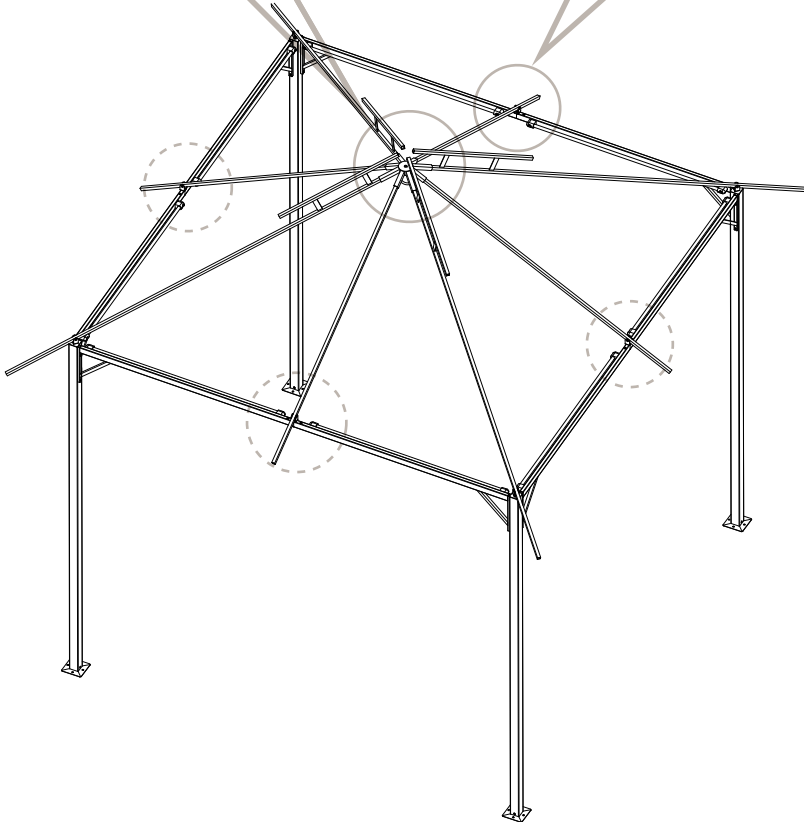
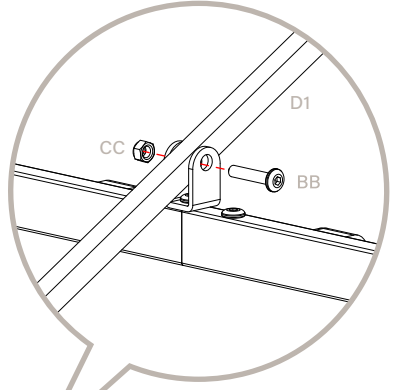
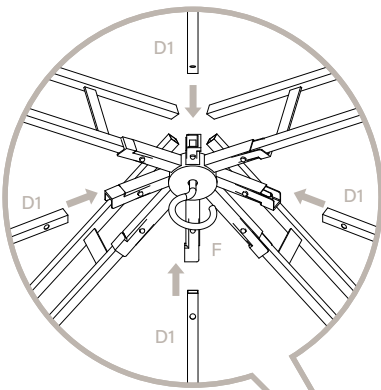
This step needs 2 people to set up a ladder to operate.

2.2

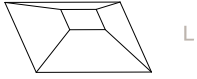
————— D1 (x4)

 M6 X 35 BB (x4)

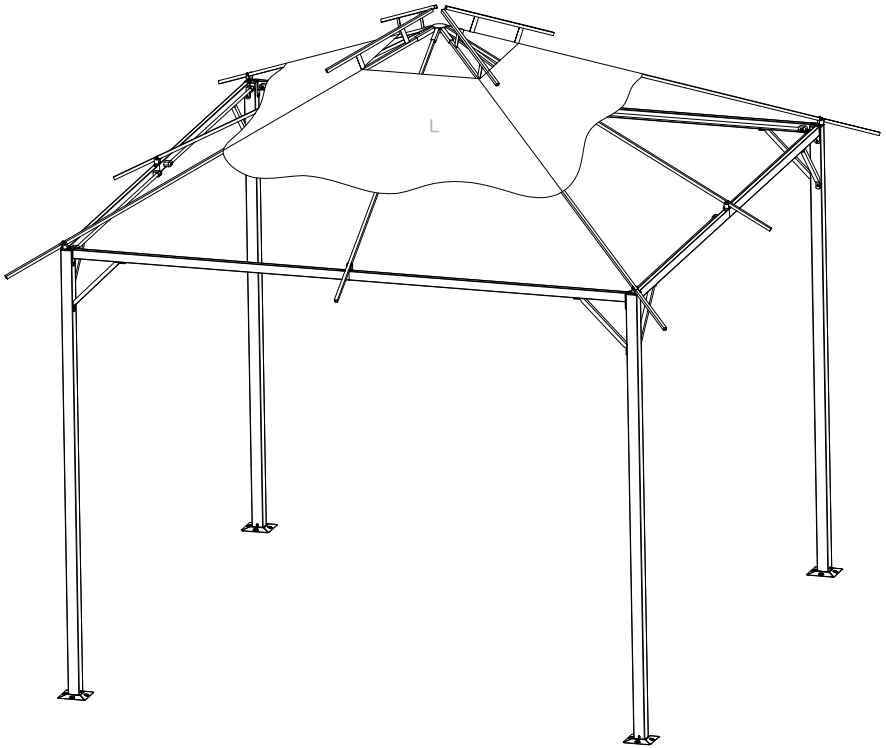
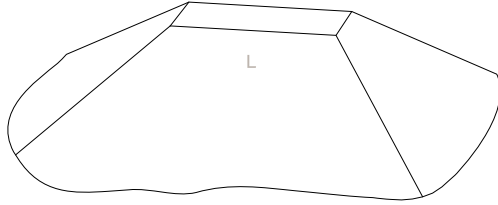
 M6 CC (x4)



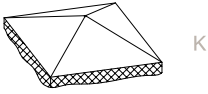
2.3



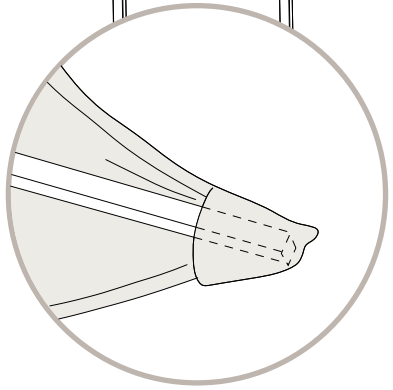
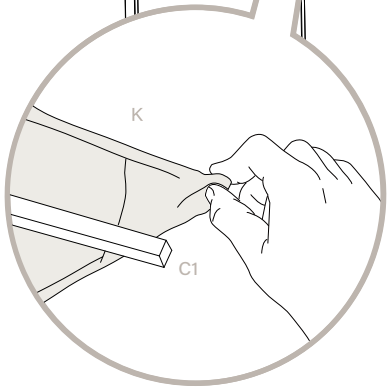
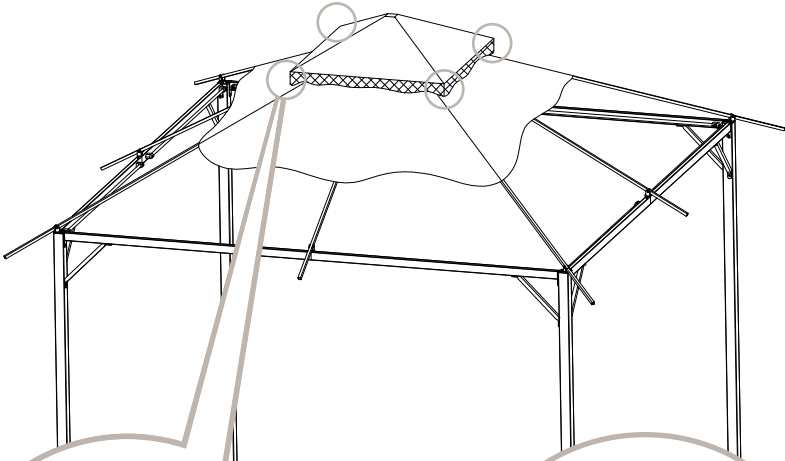
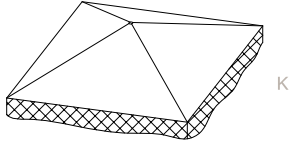
Loose set of top cover L on the top frame.



2.4



Set the small top cover K over the top frame.



2.5

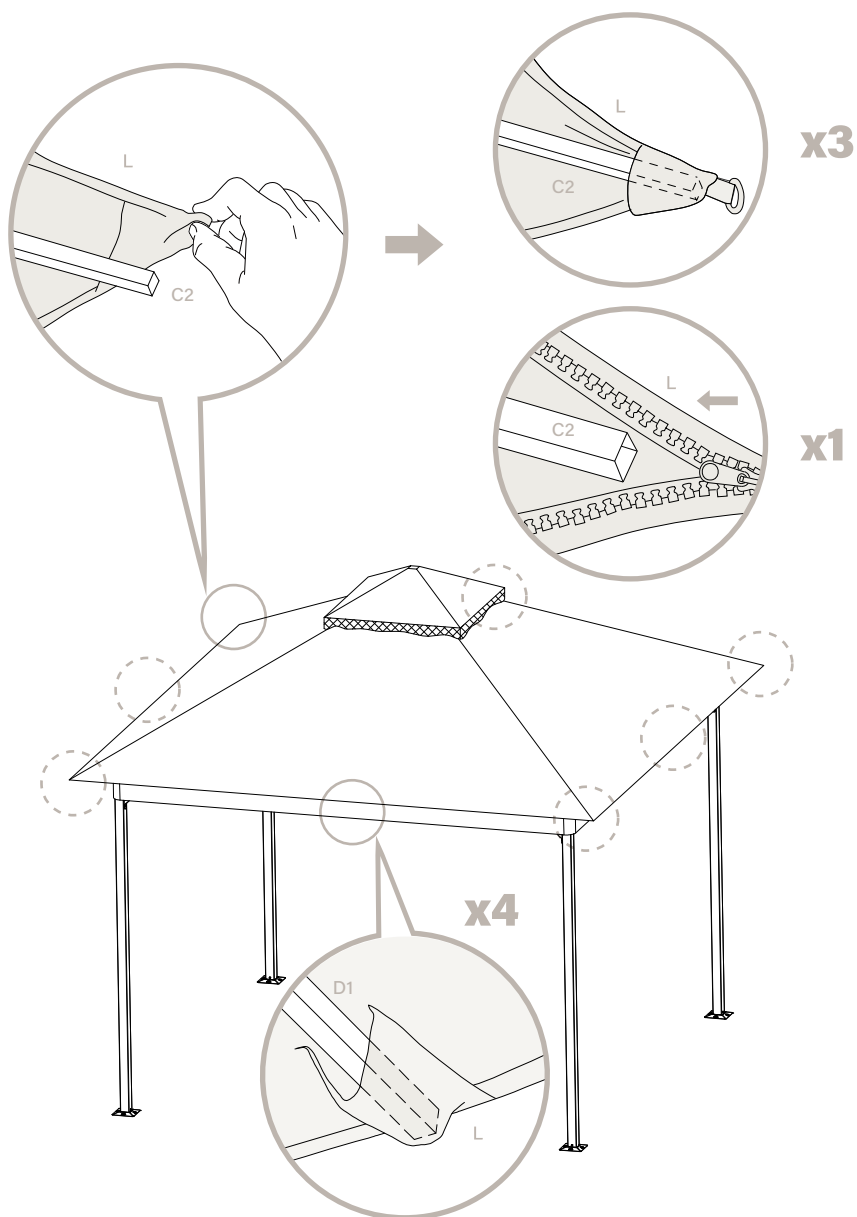
Set the top 4 corners fixed to the frame.

Assembly order:

1. The three C2 pockets without zippers.
2. The remaining C2 pocket with zippers.
3. The four D1 pockets.

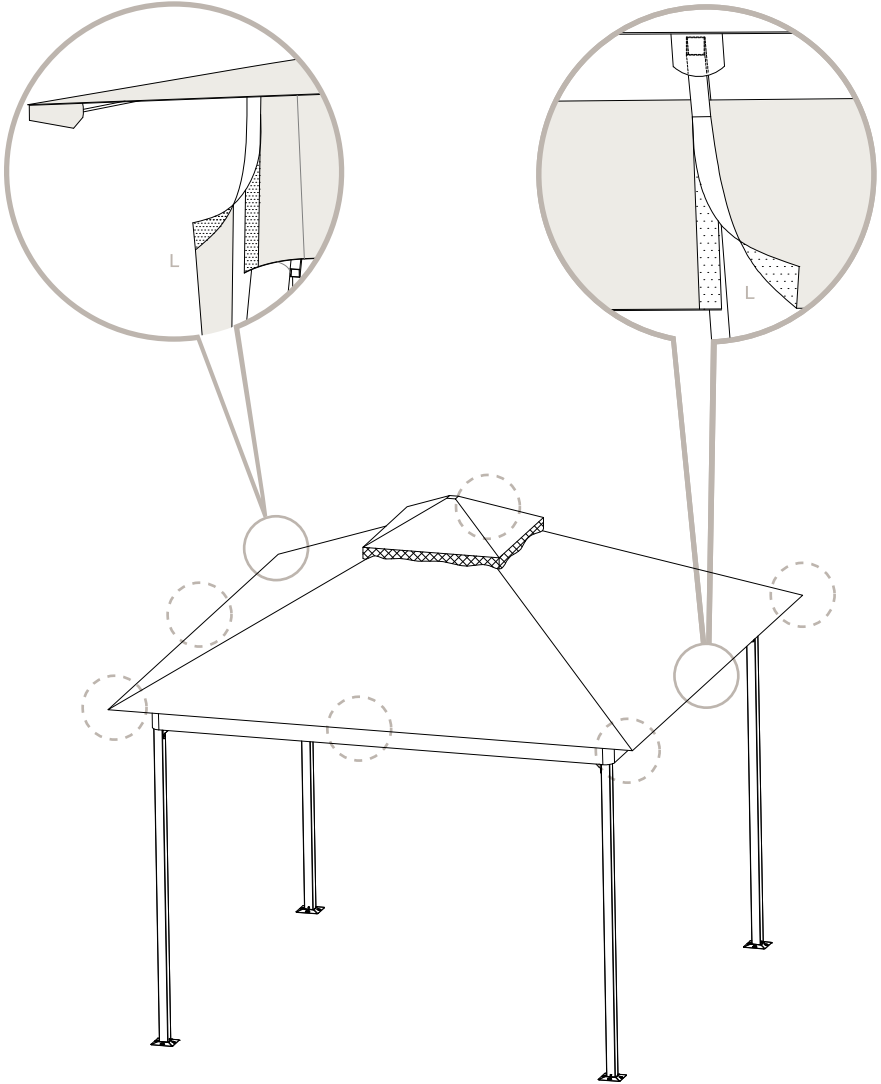
Note:

Following this order will make it easier to complete this part, and please do not glue the ruffles onto the pockets during this step.

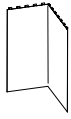


2.6

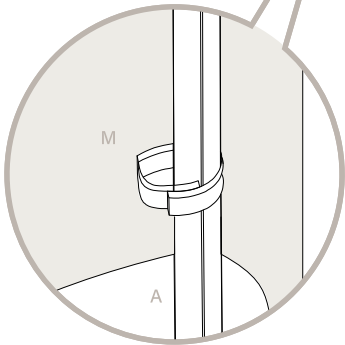
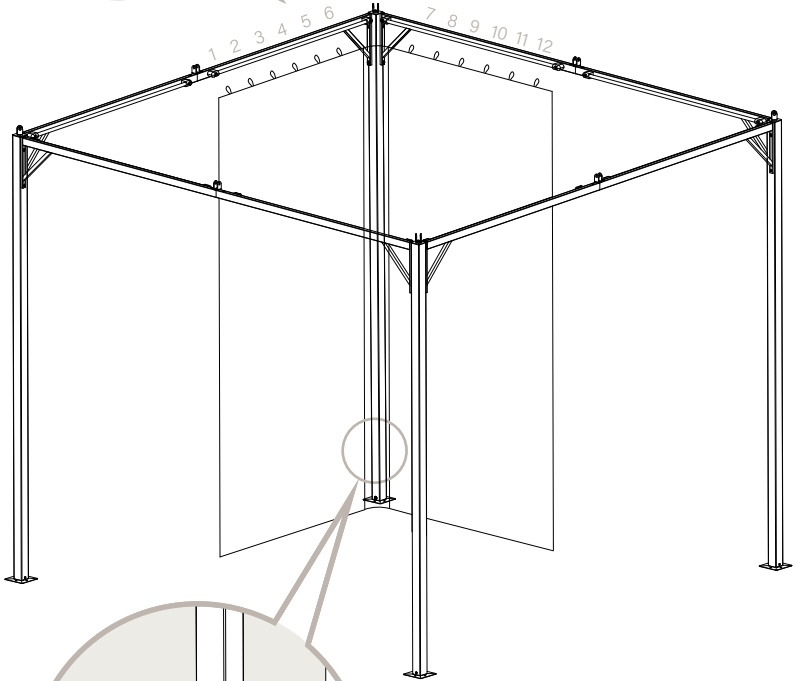
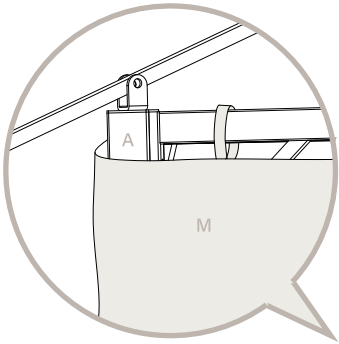
Set the top 4 sides fixed to the frame.



2.7

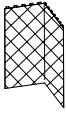


M (x4)

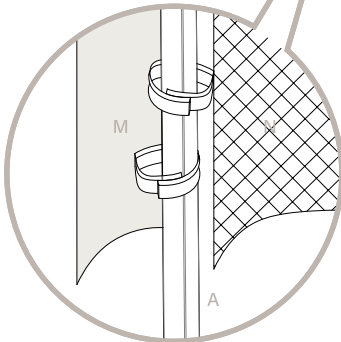
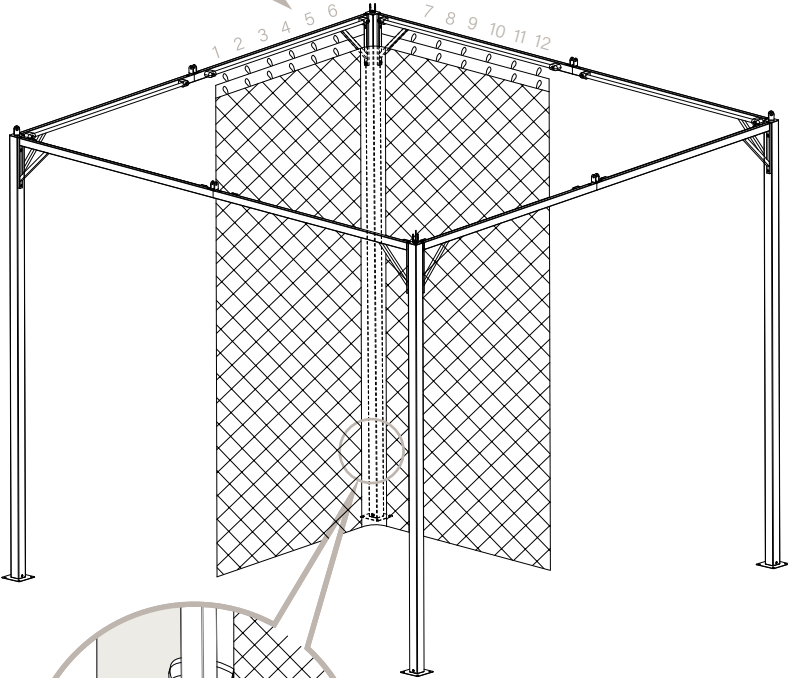
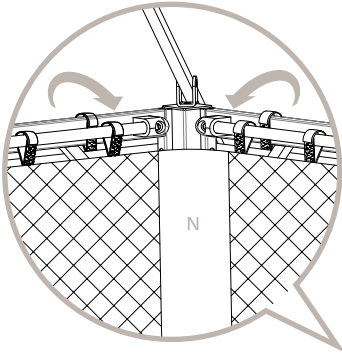
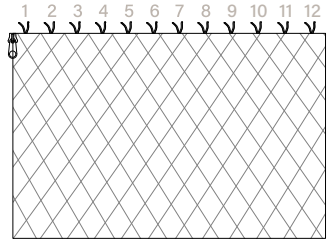


Secure the curtains on frame A by the lower straps.

2.8



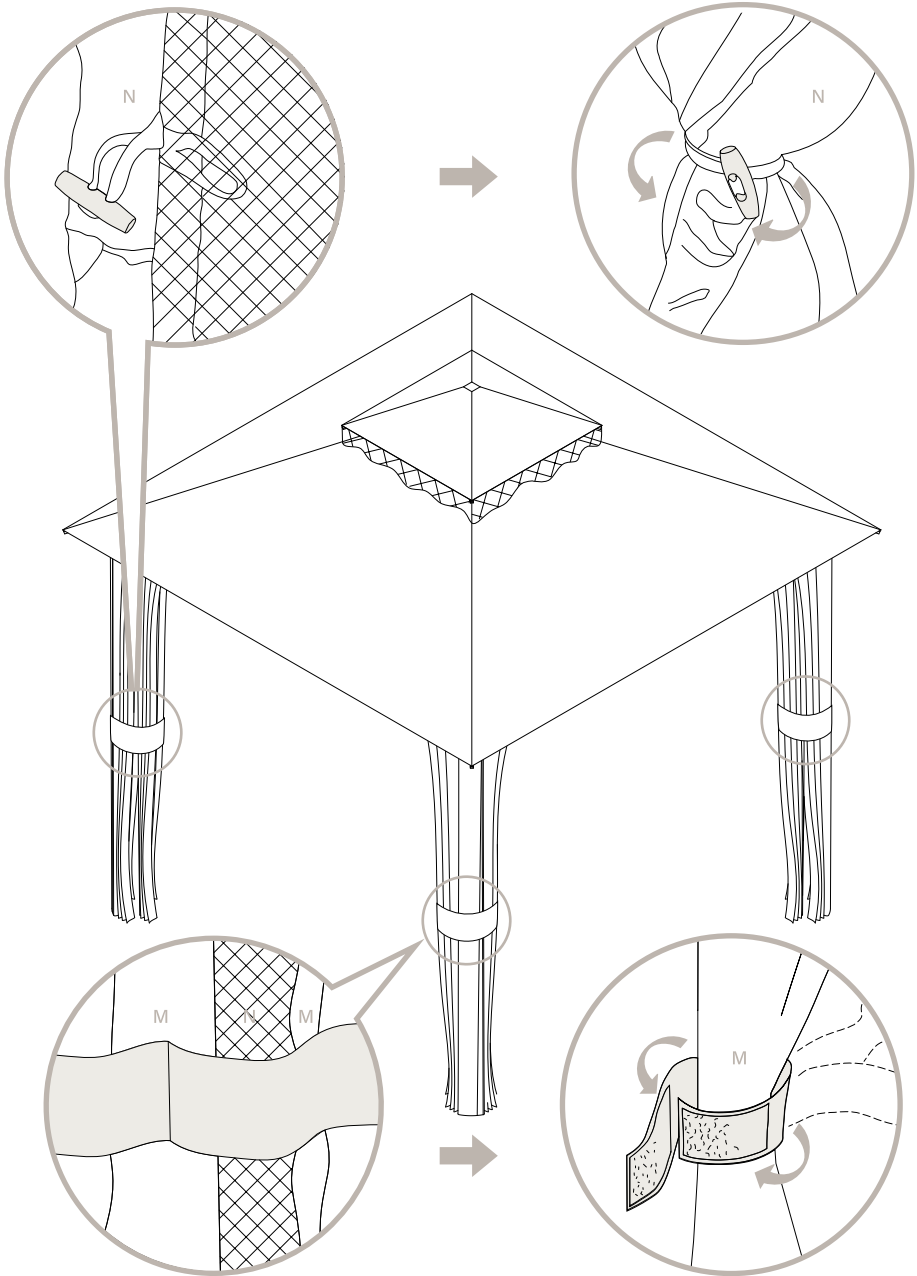
N (x4)



Secure the curtains on frame A by the lower straps.

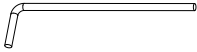
2.9

The netting N and the curtains M can be fixed to the frame A by the straps when the net/curtains are not using.



Strengthen Frame Stability

3.1



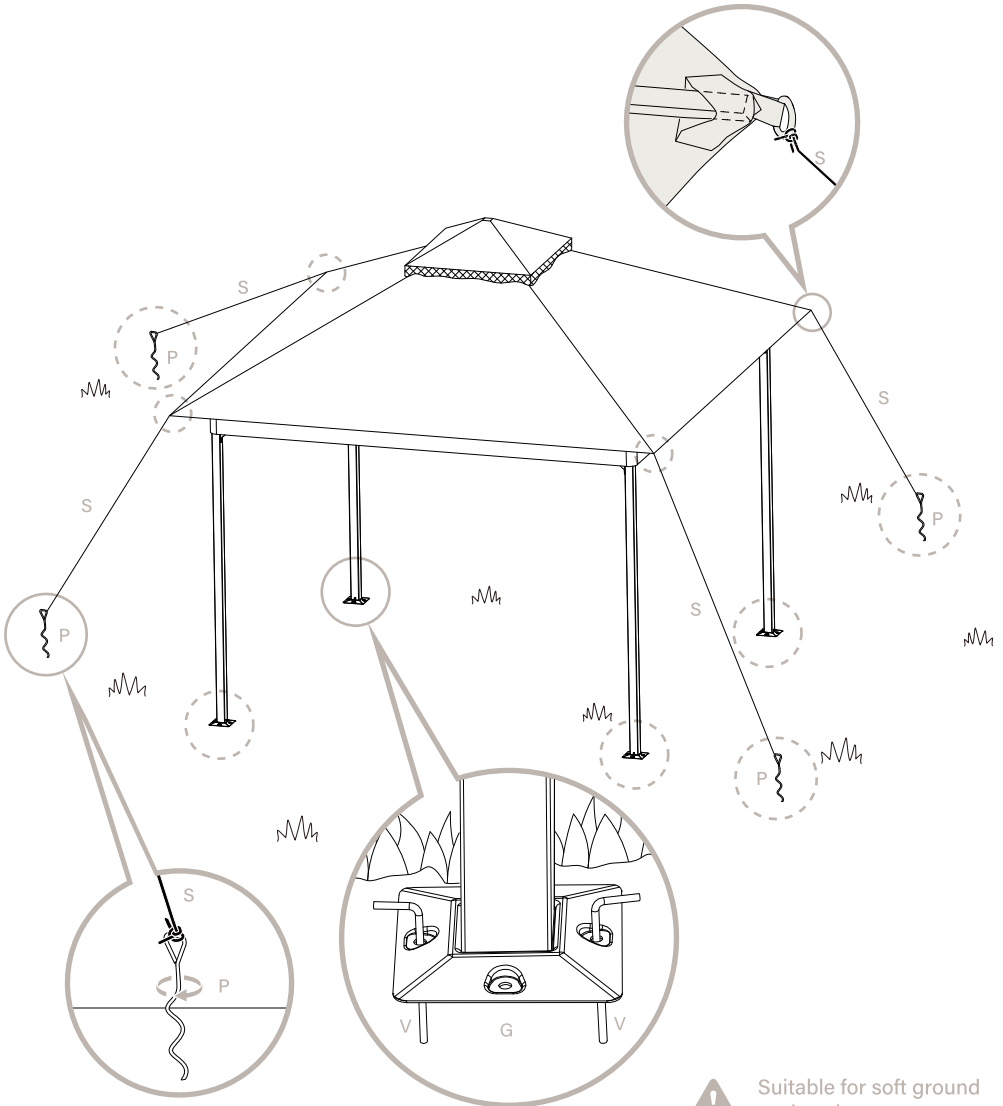
V (x8)



P (x4)

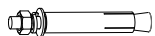


S (x4)



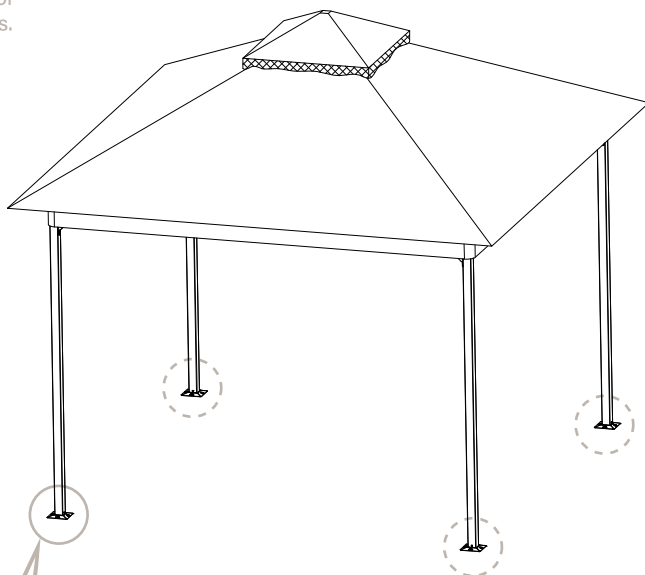
Suitable for soft ground
such as lawn.

3.2



Q (x8)

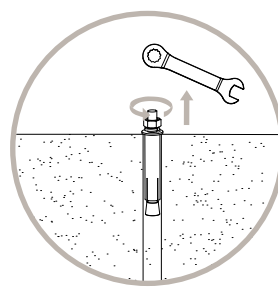
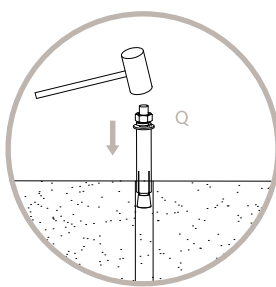
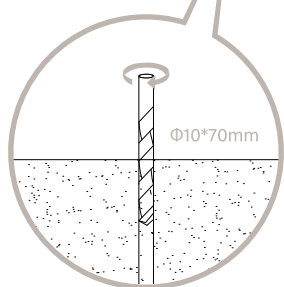
! Suitable for hard floors.



Step 1

Step 2

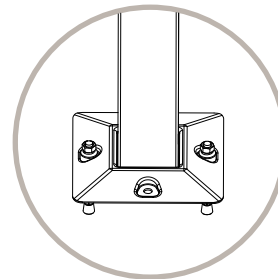
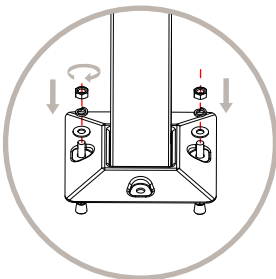
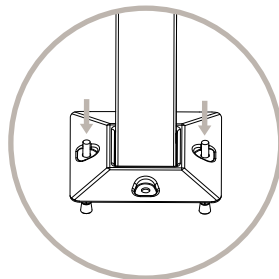
Step 3



Step 4

Step 5

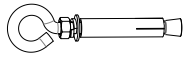
Step 6



3.3



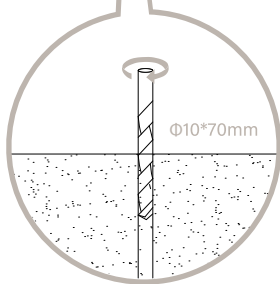
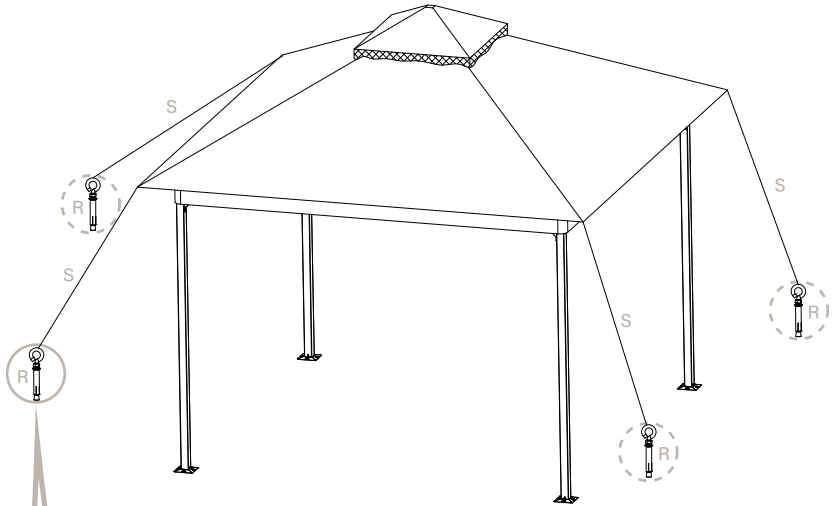
S (x4)



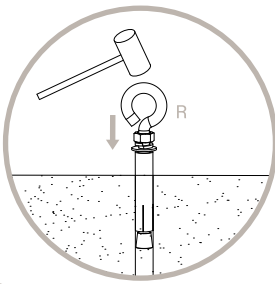
R (x4)



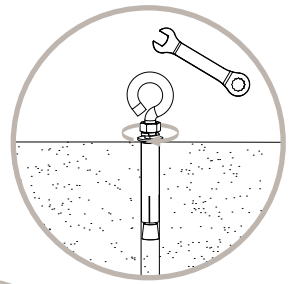
Suitable for
hard floors.



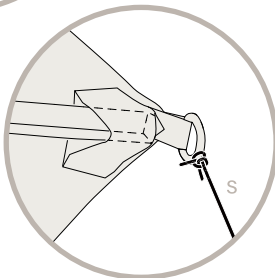
Step 1



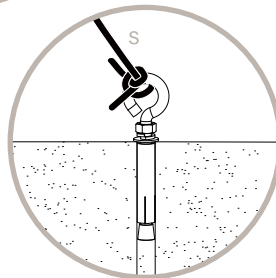
Step 2



Step 3



Step 4



Step 5