



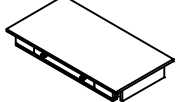
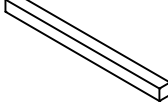


Assembly Instructions

Hardware List

1		8PCS 5/16" Washer	2		8PCS 5/16" Spring Washer
3		8PCS 5/16"x1-3/4" Machine Bolts	4		1PC 5/16" Large wrench

Parts List

A	TABLE TOP	1 PC	B	LEGS	4 PCS
					

Caution: Please read instructions thoroughly before unpacking assembly parts. Sharp, exposed staple tips can cause injury, therefore, for your protection, please remove any exposed staples used in packing. Please keep all hardware parts out of the reach of children.

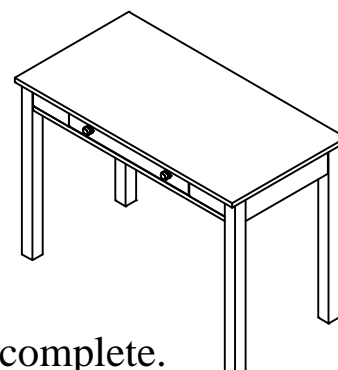
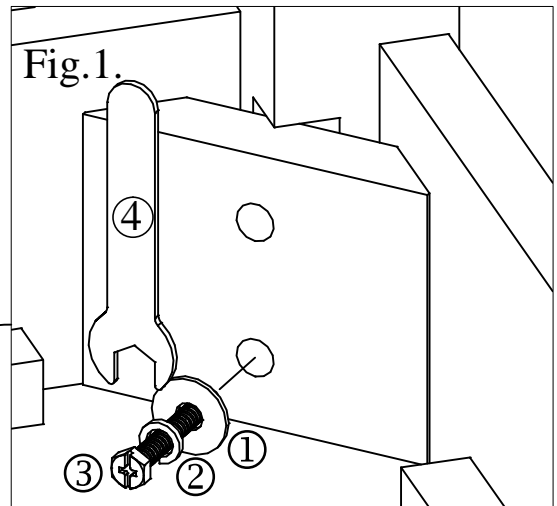
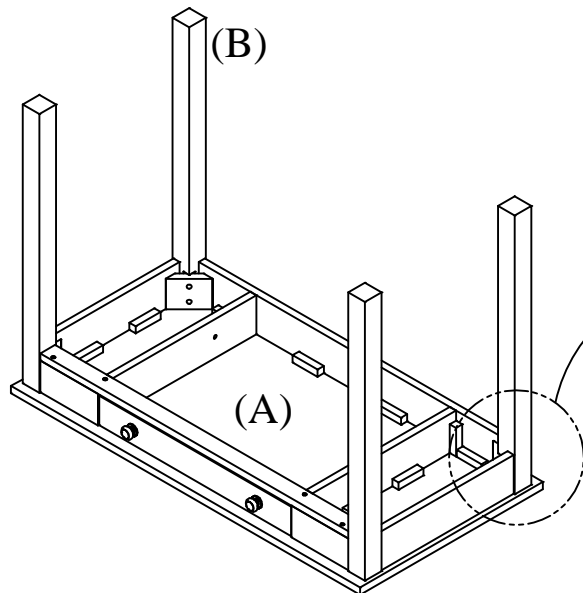
1. We recommend that you should assemble this product with the assistance of another person; this will make assembly easier, and will help to eliminate damage to the product or injury to persons during assembly.
2. Be sure to check all packing materials carefully for small parts that may have come loose inside the carton during shipment.
3. Please do not over tighten screws or bolts.

Reminder

1. Use only the hardware supplied.
2. Do not over-tighten the bolts.
3. This item may require periodic tightening.

Step 1. Turn the Table Top (A) upside down on a protective surface such as carpet or other soft material. Attached leg (B) to Table Top (A) as shown on Fig. 1 .

Step 2. Repeat Step 1 for the Remaining legs.



Assembly is complete.