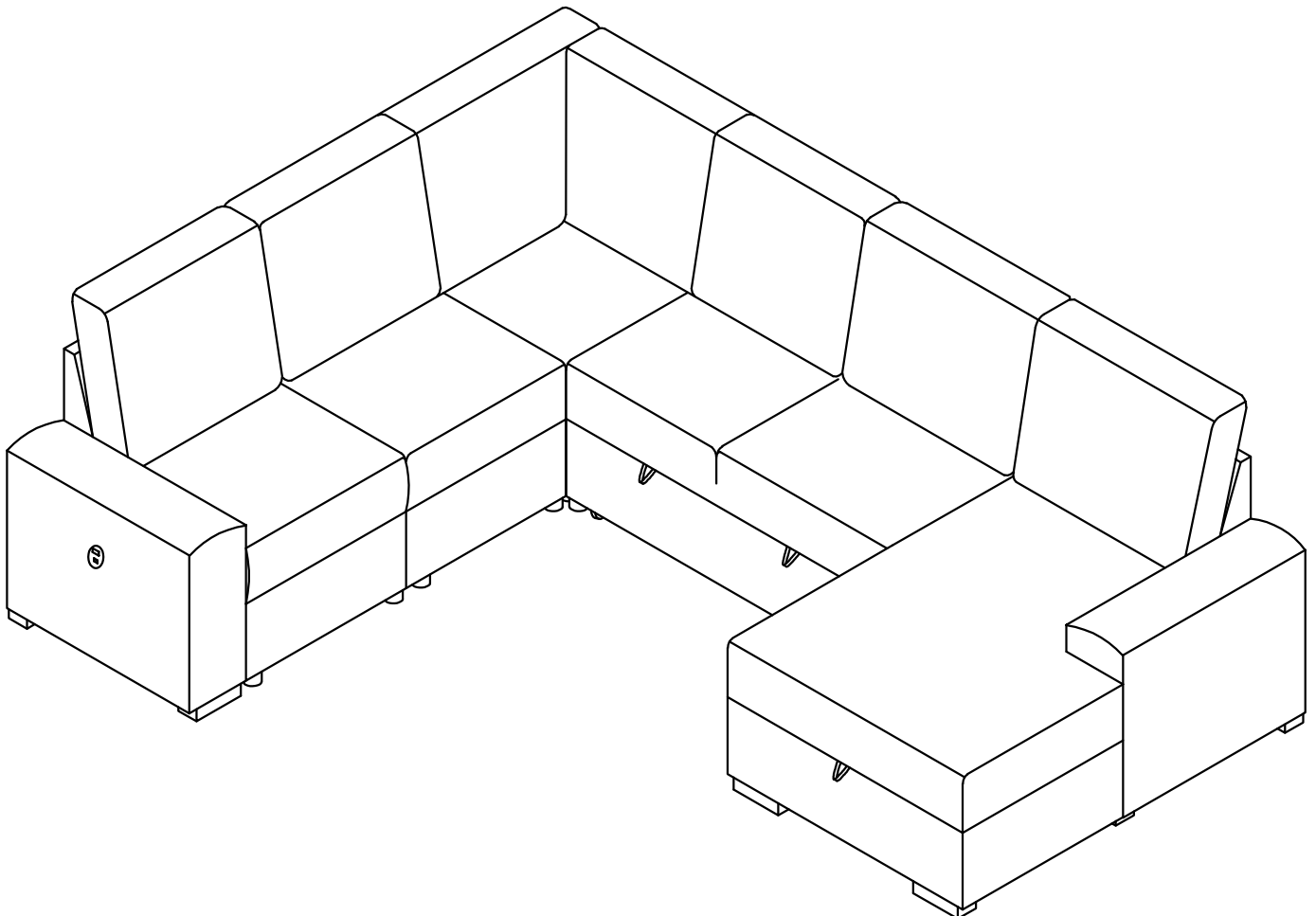


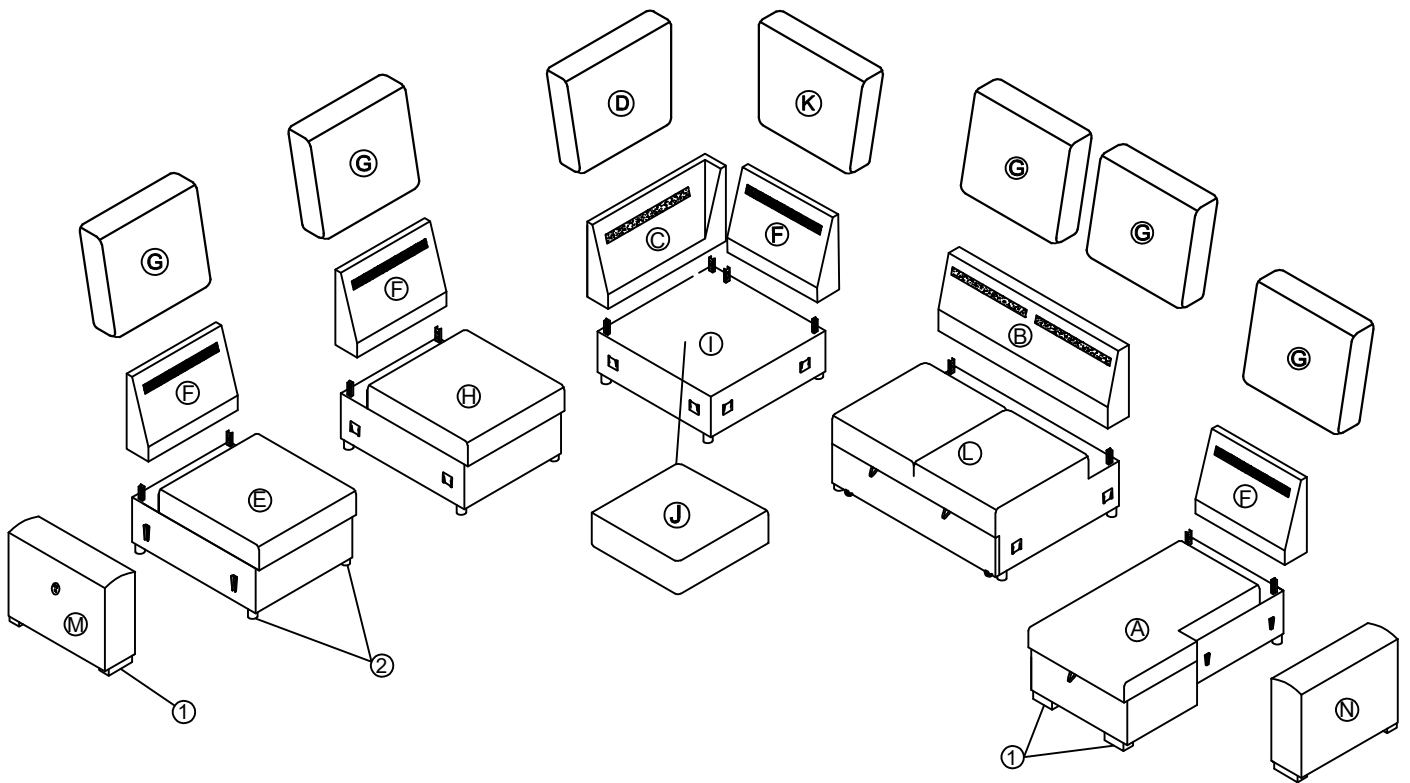
ASSEMBLY INSTRUCTIONS

IMPORTANT NOTE

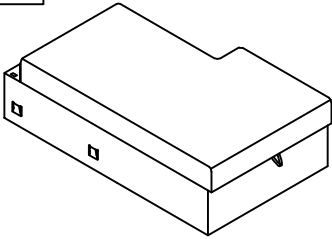
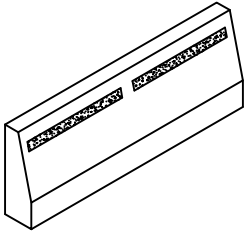
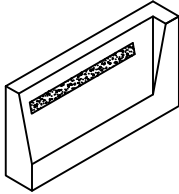

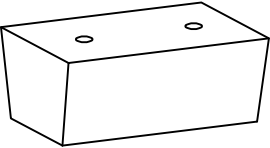
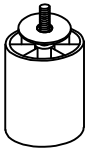



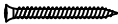


- ** Place all parts on a clean and smooth surface such as a rug or carpet to avoid the parts from being scratched.
- ** Before you begin, please review the assembly instruction step by step.



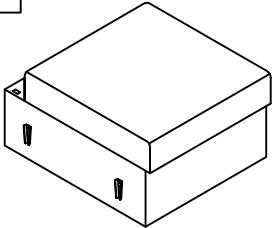
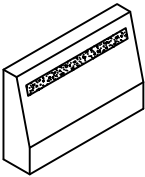

PART LIST



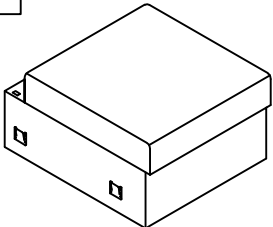
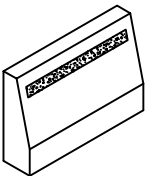

PART LISTS BOX 1

A  CHAISE (1PC)	B  LOVESEAT BACKREST (1PC)	C  RIGHT ANGLE BACKREST (1PC)	D  RIGHT CORNER BACKREST CUSHION (1PC)
1  LEG (6 PCS)	2  LEG (18 PCS)	3  WHEEL (4 PCS)	4  PAS (12PCS)
5  BOLT 5/16" x 50 mm (12 PCS)	6  SCREW M4*30 (16PCS)	7  ALLEN Ø5X100X30 MM (1PC)	 Phillips Screwdriver (Not included)

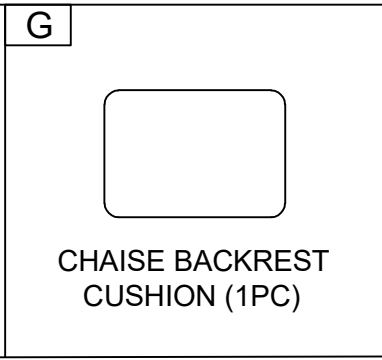
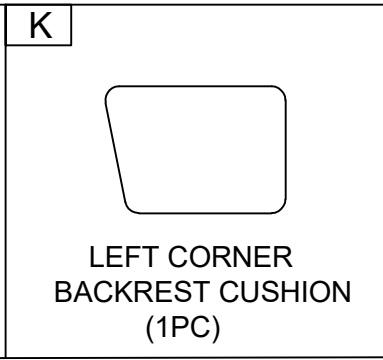
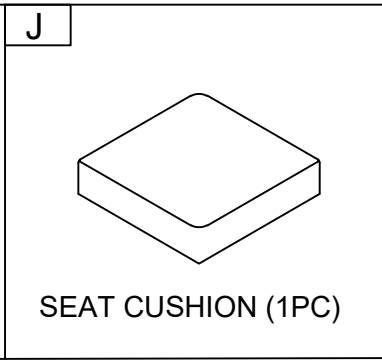
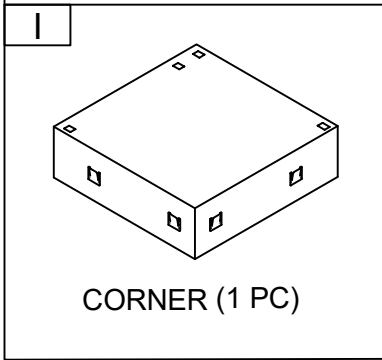
PART LISTS BOX 2

E  CHAIR WITH ARM (1 PC)	F  CHAIR BACKREST (2PCS)	G  CHAIR BACKREST CUSHION (1PC)
-------------------------------------------------------------------------------------------------------------------------	--------------------------------------------------------------------------------------------------------------------------	----------------------------------------------------------------------------------------------------------------------------------

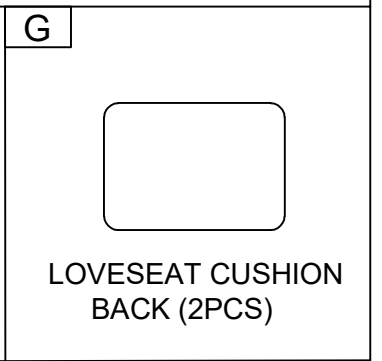
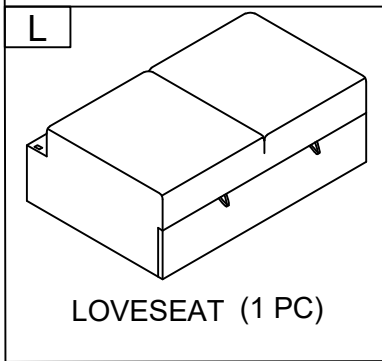
PART LISTS BOX 3

H  ARMLESS CHAIR (1 PC)	F  CHAIR BACKREST (2PCS)	G  CHAIR BACKREST CUSHION (1PC)
------------------------------------------------------------------------------------------------------------------------	--------------------------------------------------------------------------------------------------------------------------	----------------------------------------------------------------------------------------------------------------------------------

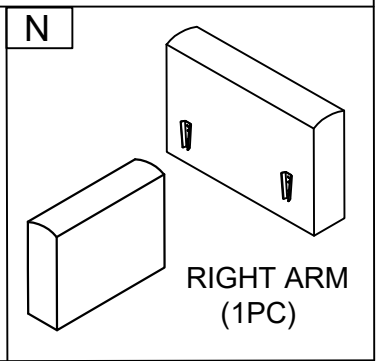
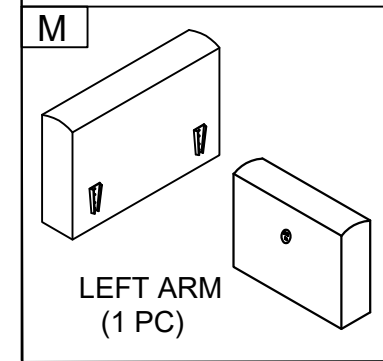
PART LISTS BOX 4



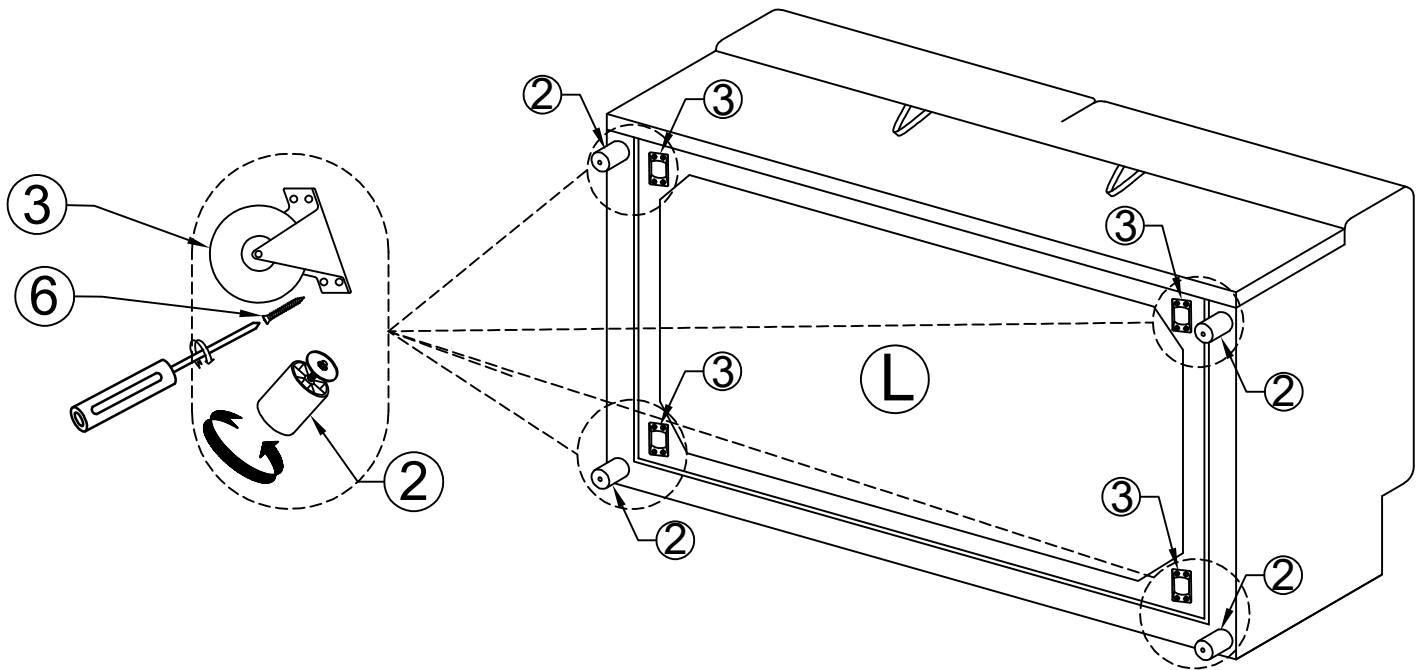
PART LISTS BOX 5



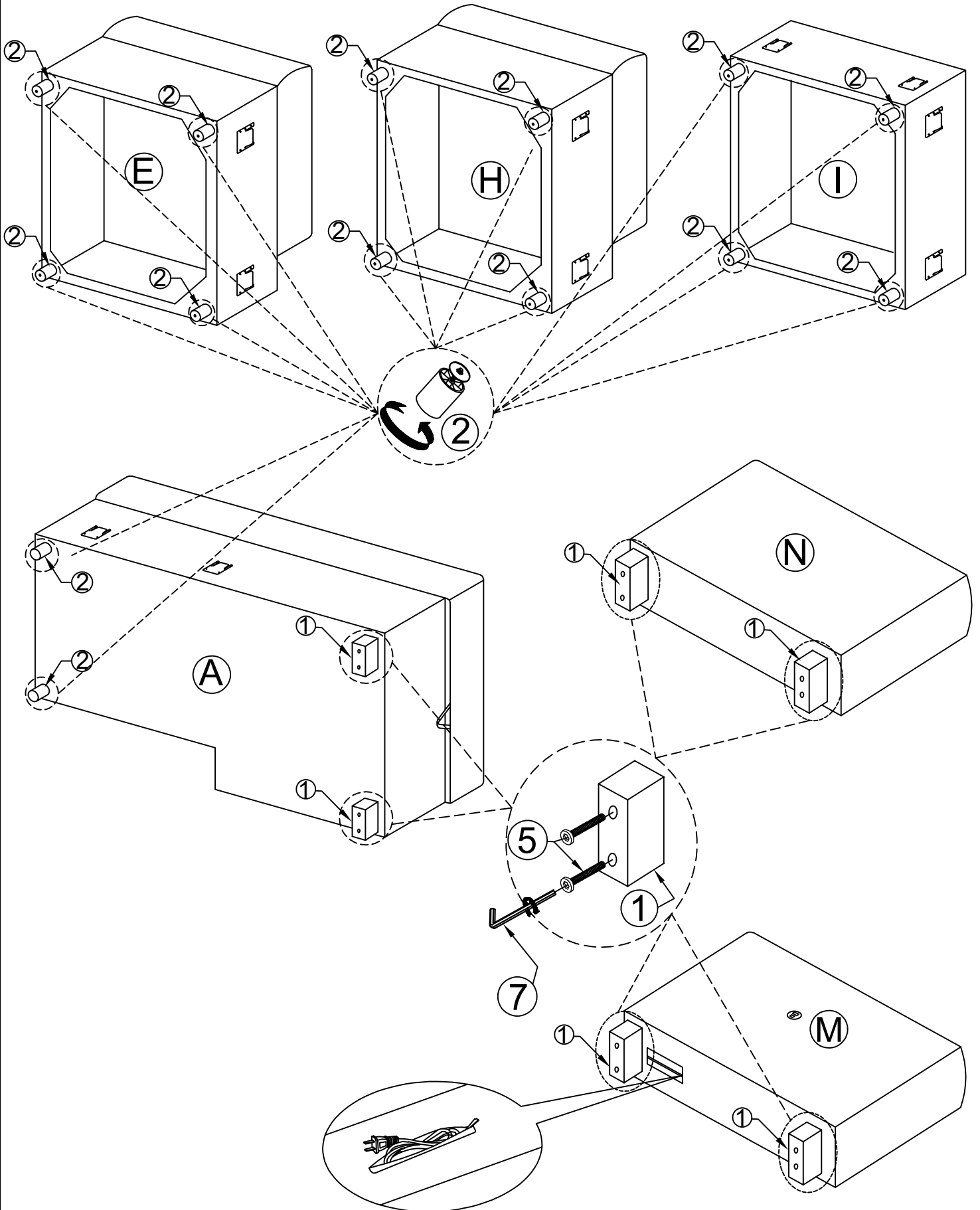
PART LISTS BOX 6



Step 1: ①*1,②*4,③*4,⑥*16

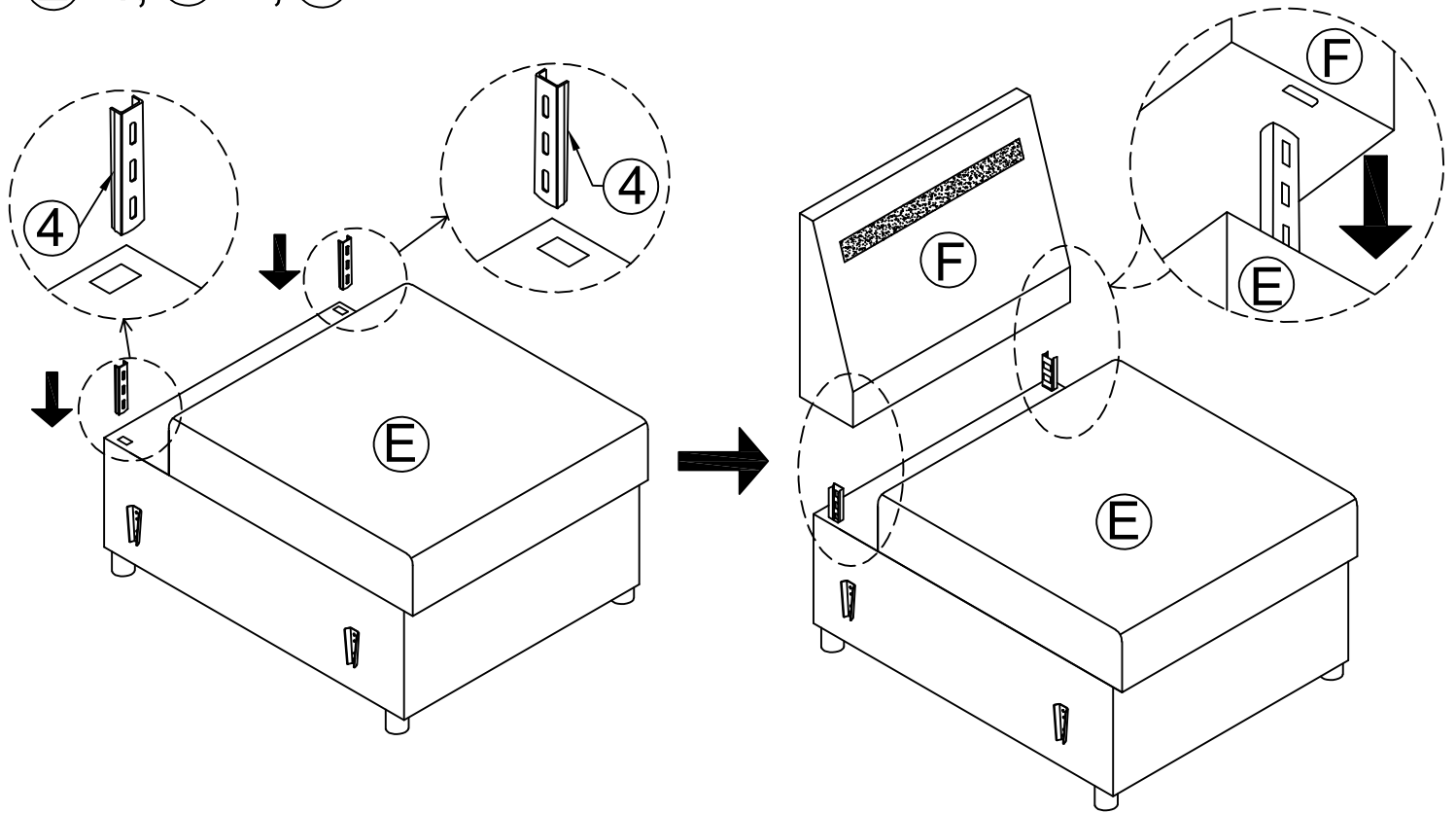


Step 2: (E)*1, (H)*1, (I)*1, (A)*1, (N)*1, (M)*1, (1)*6, (2)*14, (5)*12, (7)*1



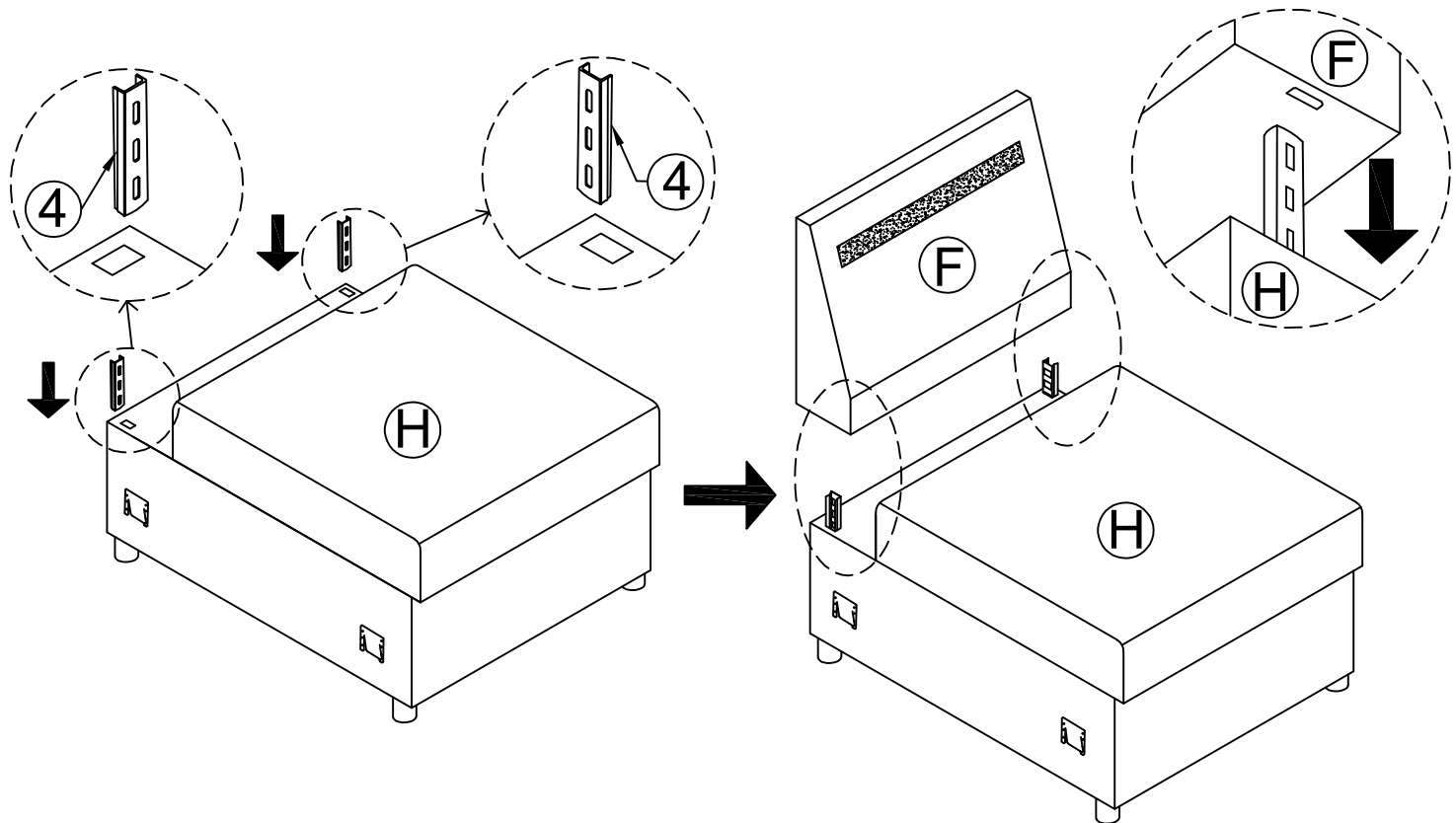
Step 3:

ⓔ*1, ⓕ*1, ④*2



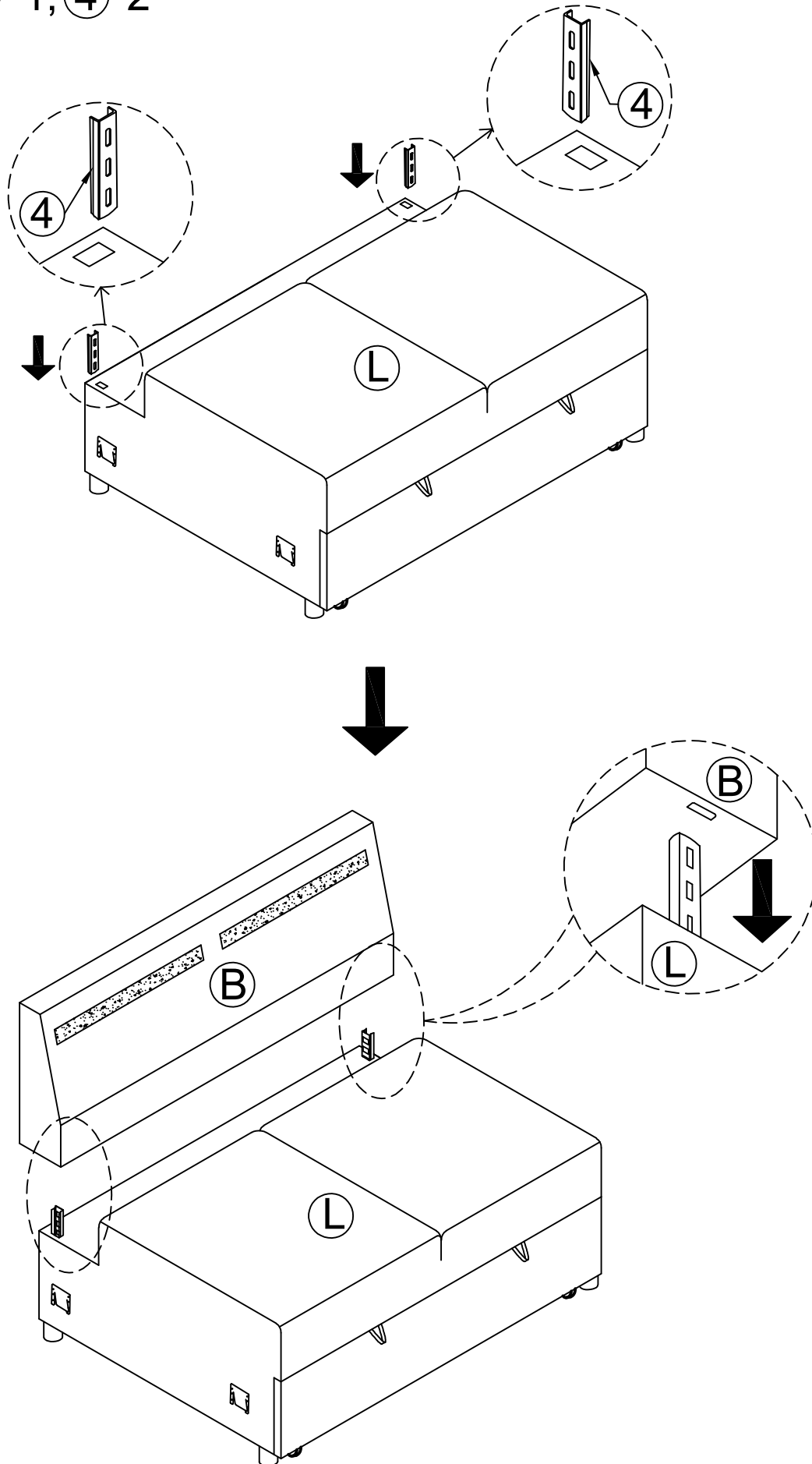
Step 4:

ⓓ*1, ⓕ*1, ④*2



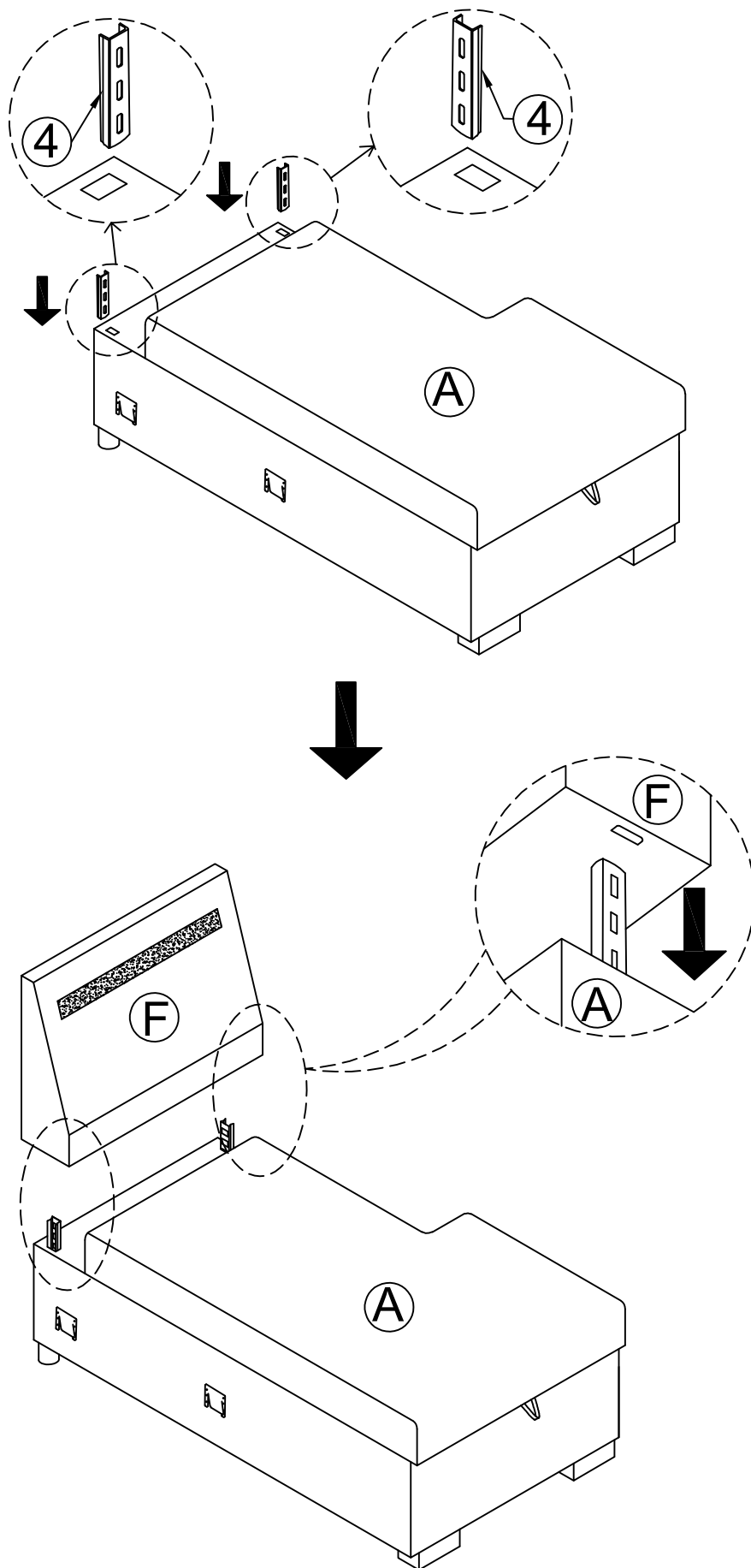
Step 5:

Ⓛ*1, ⓑ*1, ④*2



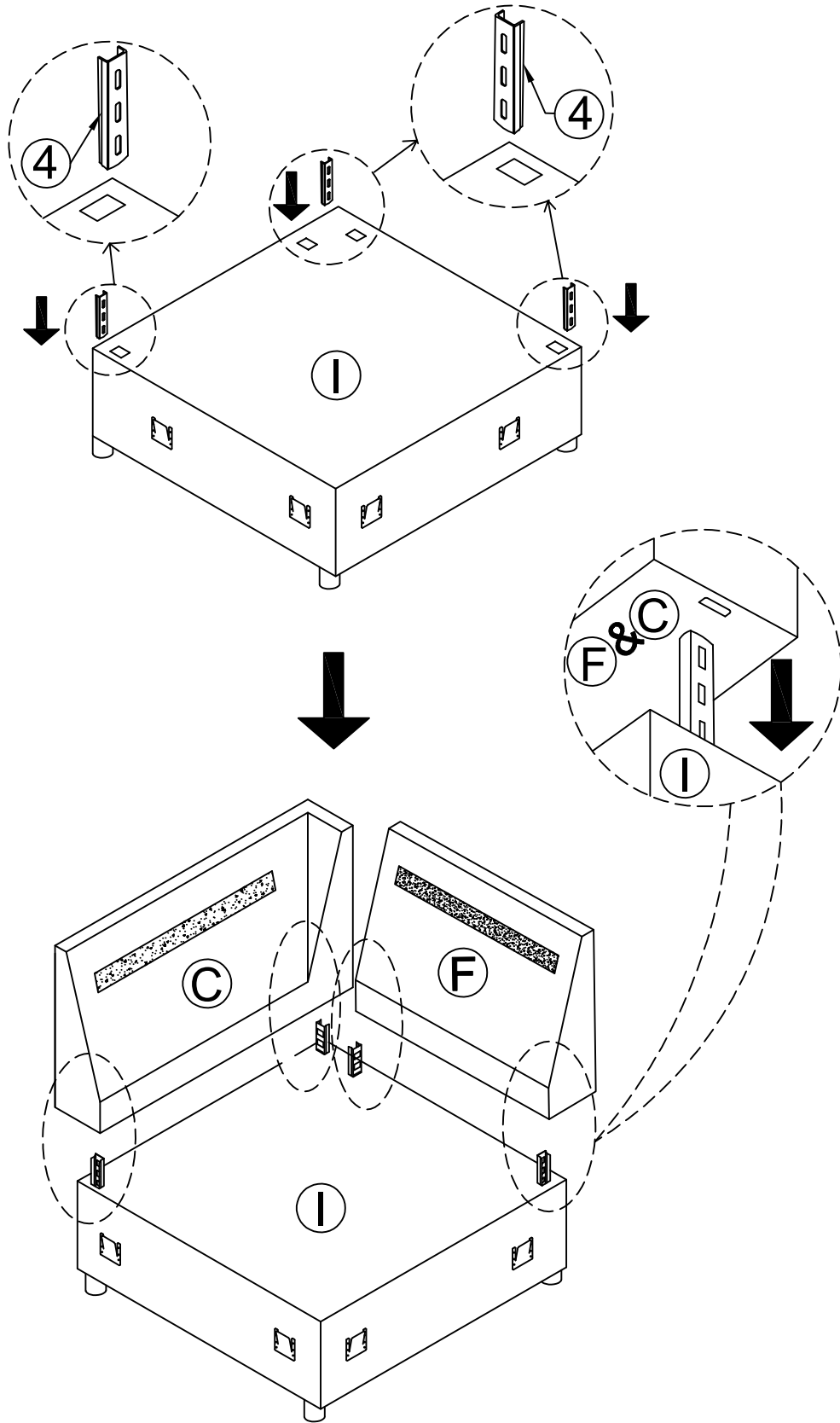
Step 6:

Ⓐ*1, Ⓕ*1, ④*2

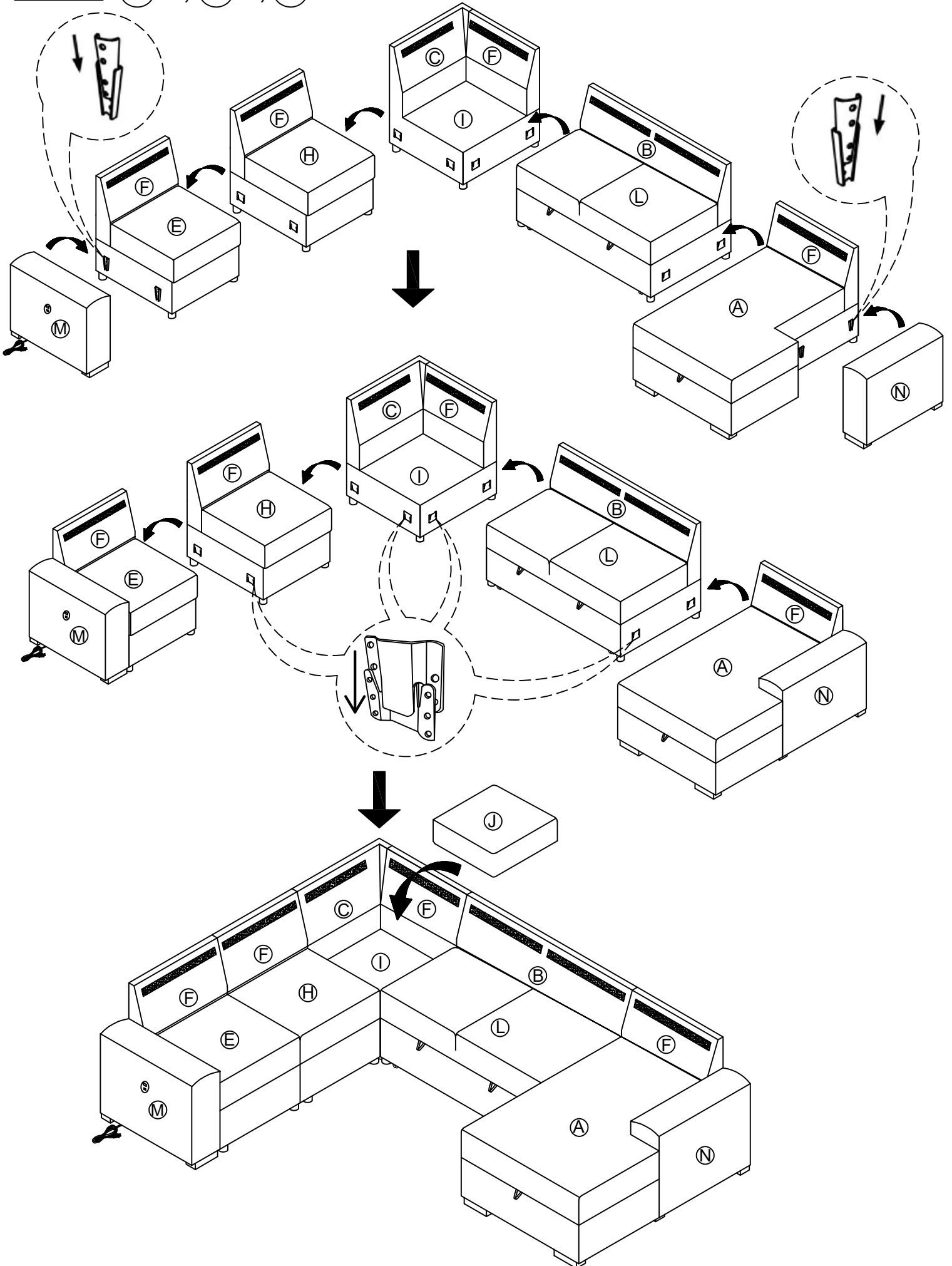


Step 7:

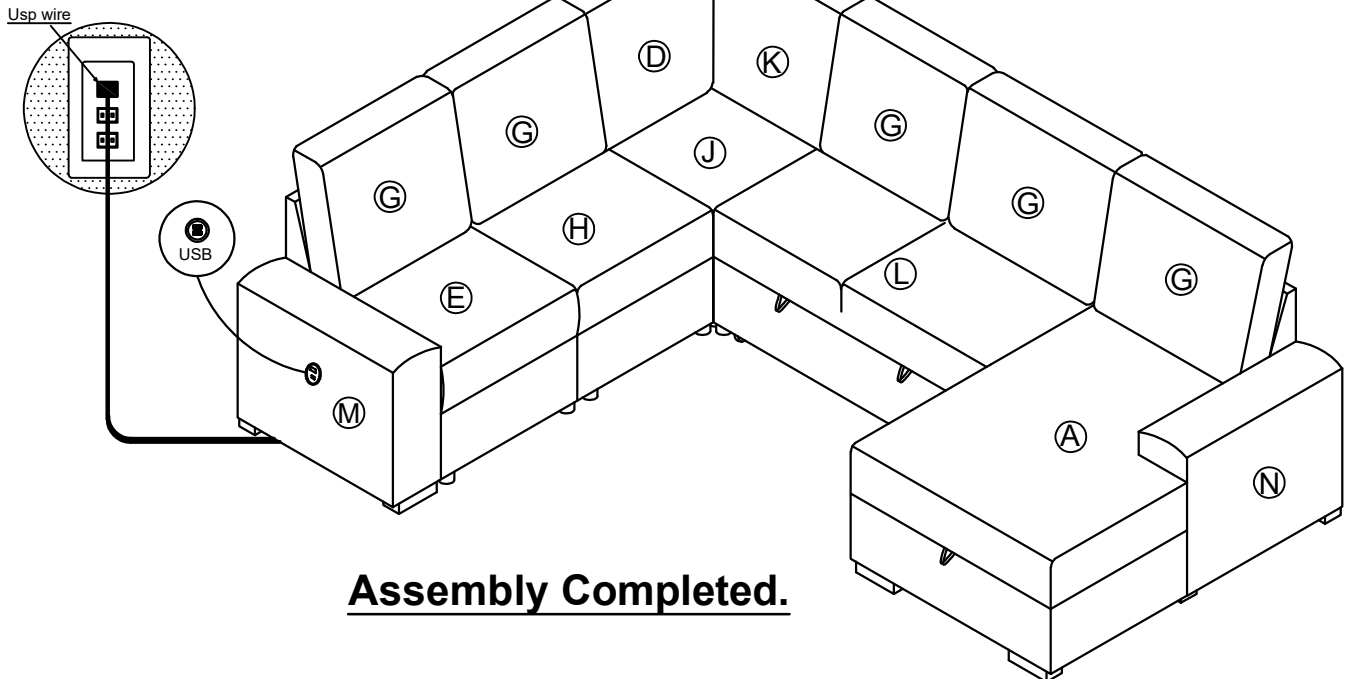
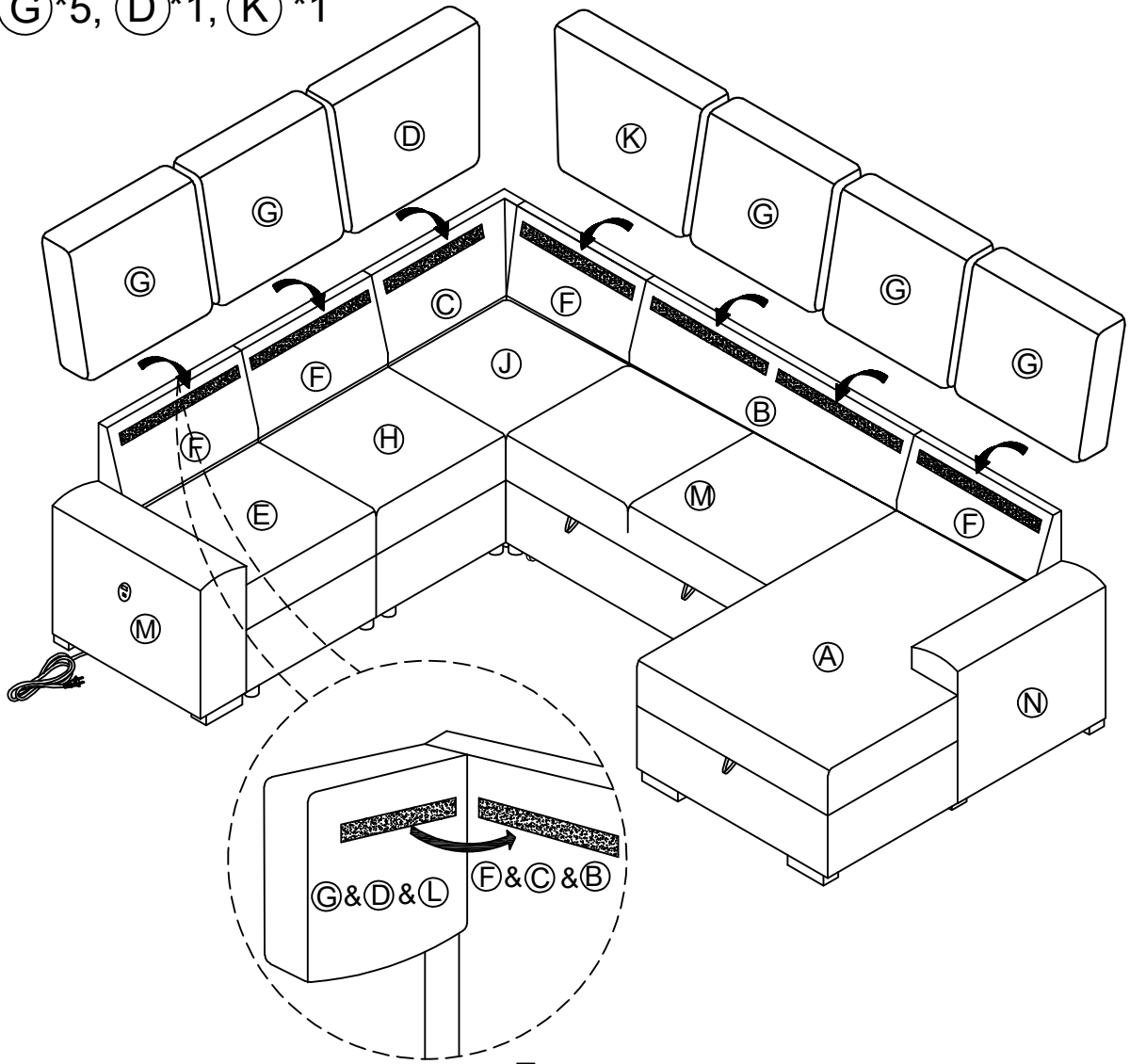
Ⓡ*1, Ⓣ*1, Ⓢ*1, ④*4



Step 8: (M)*1, (N)*1, (J)*1



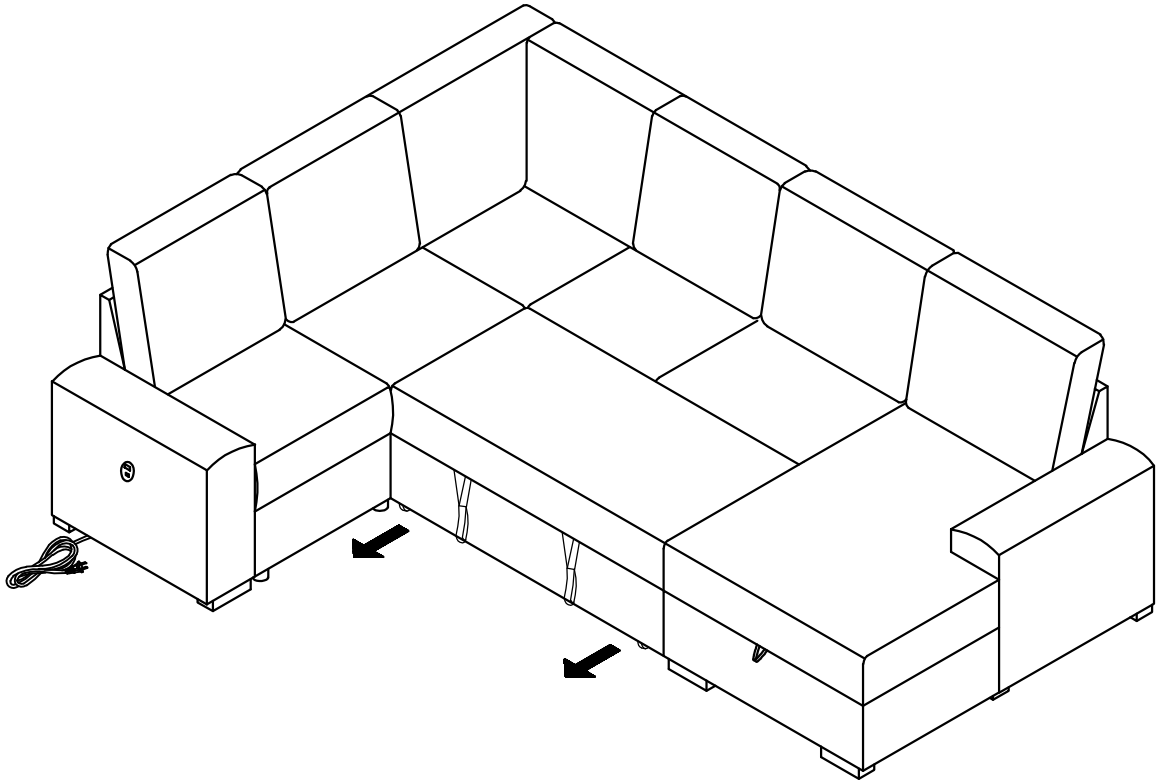
Step 9: (G)*5, (D)*1, (K)*1



Assembly Completed.

FUNCTIONS:

1



2

