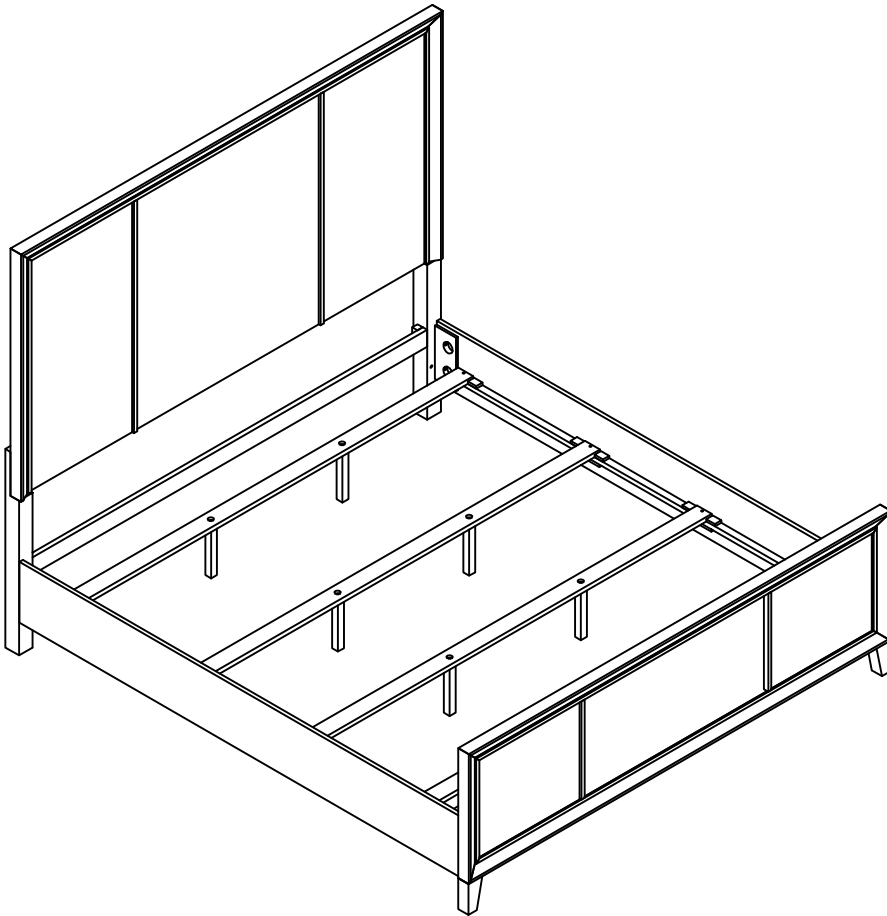


# ASSEMBLY INSTRUCTIONS



## TOOLS REQUIRED



**Allen Wrench**  
(Included)



**Wrench**  
(Included)



**Phillips Screwdriver**  
(Not Included)



**2 - Persons**  
**Recommended**

## ASSEMBLY RATING



**EASY** ————— **DIFFICULT**

The Assembly Rating is a 5-point system showing the level of effort needed to assemble a specific product.



## **CHECK BEFORE STARTING**

### **Are you missing anything?**

Double-check all parts, hardware and accessories listed on Page 6 are accounted for.

### **Check out our Quick Tips!**

We recommend reviewing the pre-assembly handouts. Even experts need a refresher now and then!

### **Should we send any replacements?**

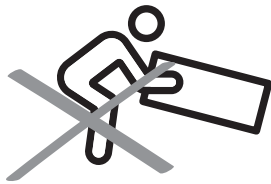
Are there any irregularities or flaws in the parts? We can send replacements!

### **Prep Time!**

Please review the assembly instructions and all diagrams prior to assembling. Arrange parts as recommended on Page 7 and group identical hardware together to make assembling easier.

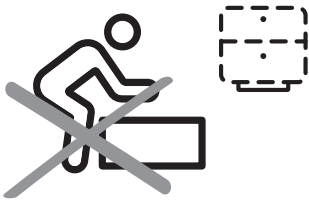
# PRE ASSEMBLY INTRODUCTION

We understand building ready-to-assemble furniture can be a challenging experience for some. To help avoid confusion, we have provided some helpful tips that may speed up the process.



## Teamwork

ALWAYS have at least two people to help with transporting and assembling the product to avoid potential injury and/or damage.



## Suitable Location

Assembling near the area of the intended location is highly recommended.



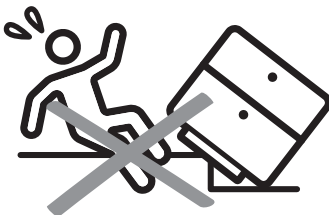
## Sufficient Space

Make sure you have enough space to move around during the assembly.



## Avoid Scratches

Use cardboard, blankets or a carpeted area while assembling furniture to prevent scratches.



## Flat Surface

Make sure the furniture rests on a flat and level surface with each leg evenly touching the floor.

# ASSEMBLY AND CARE ADVICE



**FAILURE TO FOLLOW THE GUIDELINES BELOW MAY RESULT IN INJURY AND/OR PROPERTY DAMAGE.**



Position each part correctly and insert screws or bolts into their respective holes.



Turn clockwise to tighten and only tighten when step is completed or when instructed to do so.



Use the appropriate hand tools or power tools for assembly. Select steps, such as tightening screws and/or bolts, may require hand tools to avoid causing damage during assembly.



Save the instructions and store any supplied tools for later maintenance.



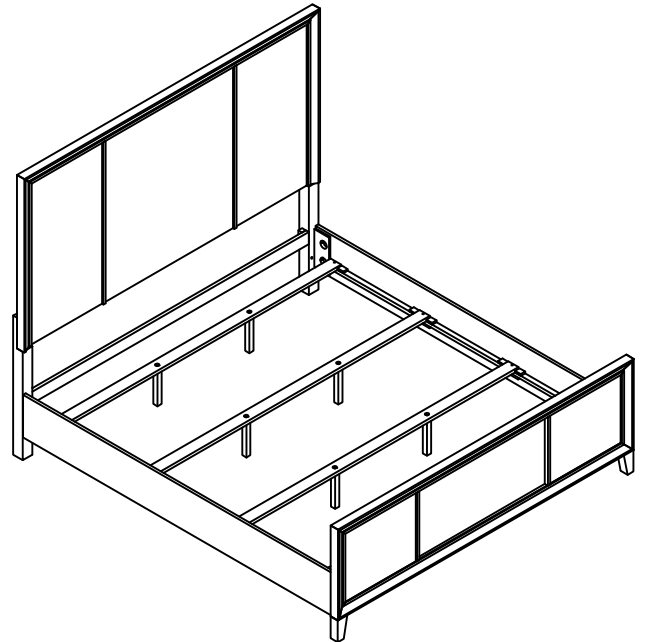
After two weeks, check and tighten any loose hardware and repeat again every six months thereafter.

**IT IS THE USER'S RESPONSIBILITY TO MAINTAIN THE FURNITURE. THE HARDWARE MAY LOOSEN OVER TIME AND MAY CAUSE THE FURNITURE TO BE WOBBLY AND UNABLE TO SUPPORT ITS INTENDED WEIGHT CAPACITY. THIS MAY LEAD TO COLLAPSE AND MAY CAUSE SERIOUS INJURY.**

# ASSEMBLING BED

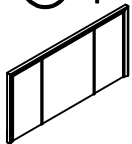


• Please keep instructions for future reference.  
 • Check the quantity and irregularity of parts and hardware before you start.



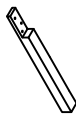
## PARTS

#1 1pc



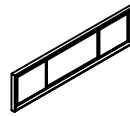
Headboard Panel

#2 2pcs



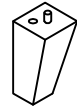
HB Leg (L&R)

#3 1pc



Footboard

#4 2pcs



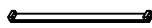
Leg

#5 2pcs



Side Rail

#6 1pc



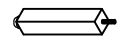
HB Support

#7 4pcs



Bed Slat

#8 8pcs



Support Leg

## HARDWARE

#A 10pcs



Bolt  
Ø5/16" x 2"

#B 10pcs



Lock Washer  
Ø5/16"

#C 10pcs



Flat Washer  
Ø5/16"

#D 1pc



Allen Wrench  
M4 x 3"

#E 2pcs



Bolt  
Ø5/16" x 3"

#F 2pcs



Lock Washer  
Ø5/16"

#G 2pcs



Flat Washer  
Ø5/16"

#H 1pc



Allen Wrench  
M4 x 4"

#I 8pcs



Screw  
#4 x 1-3/16"

#J 8pcs



Threaded Pins  
Ø5/16" x 3-1/2"

#K 8pcs



Hex Nut  
Ø5/16"

#L 8pcs



Half Moon washer  
Ø5/16"

#M 1pc



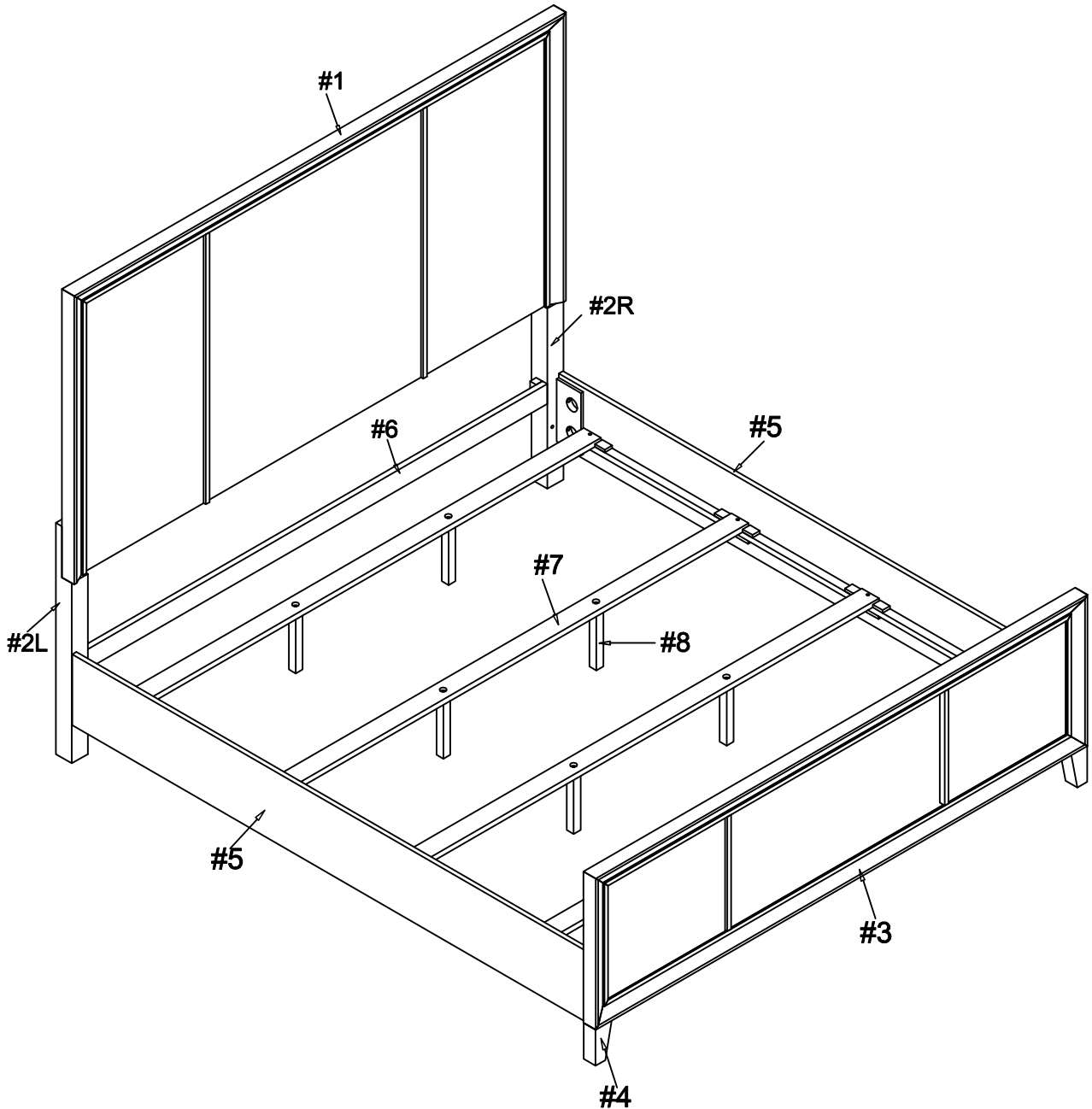
Wrench  
12mm

#N 2pcs

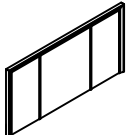




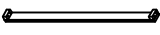
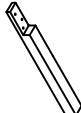
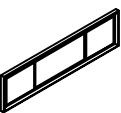







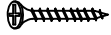





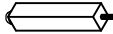


Plastic Glide  
Ø24mm

# Exploded view



**packed in 3 caces**

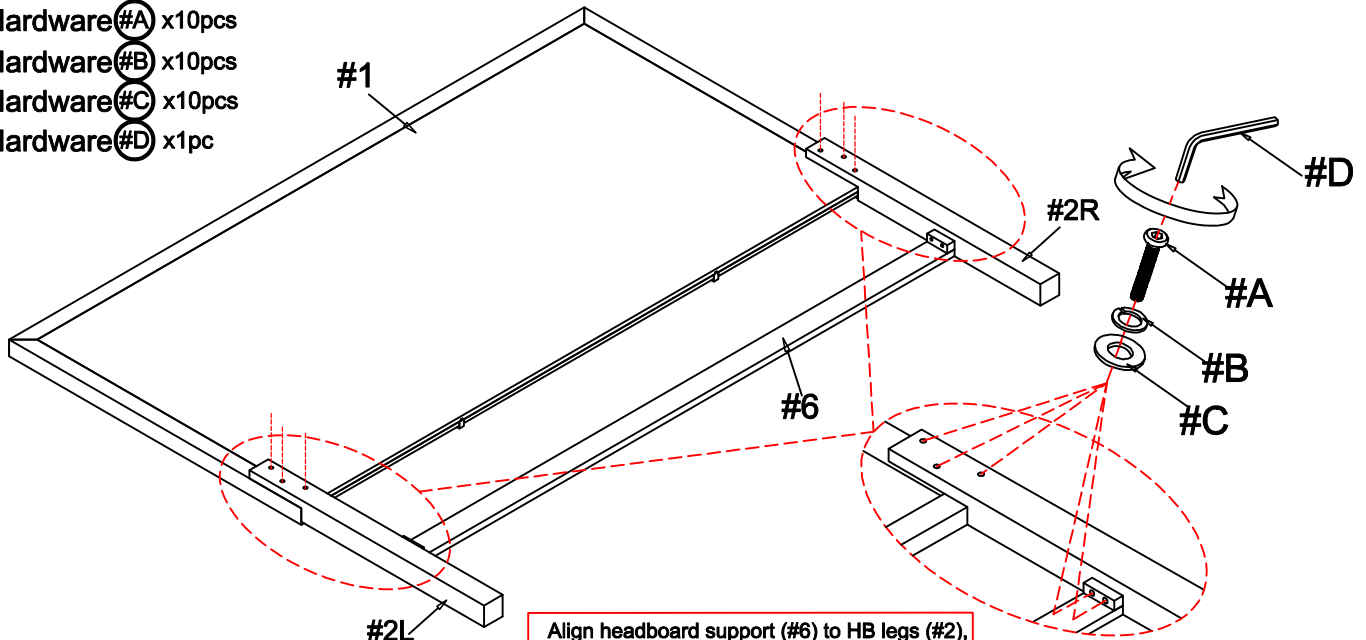
Carton	Disignation		Part	Hardware
	Headboard Panel	#1		 #A 10pcs  #B 10pcs  #C 10pcs  #D 1pc
	HB Support	#6		
	HB Leg (L&R)	#2		
	Footboard	#3		 #E 2pcs  #F 2pcs  #G 2pcs  #H 1pc  #N 2pcs
	Leg	#4		
	Side Rail	#5		 #I 8pcs  #J 8pcs  #K 8pcs  #L 8pcS  #M 8pcs
	Bed Slat	#7		
	Support Leg	#8		

# ASSEMBLY INSTRUCTIONS

## 1

- Part #1 x1pc
- Part #2 x2pcs
- Part #6 x1pc
- Hardware #A x10pcs
- Hardware #B x10pcs
- Hardware #C x10pcs
- Hardware #D x1pc

Align HB legs (#2L/R) to the headboard panel (#1), then secure using bolts (#A) with washers (#B,C).

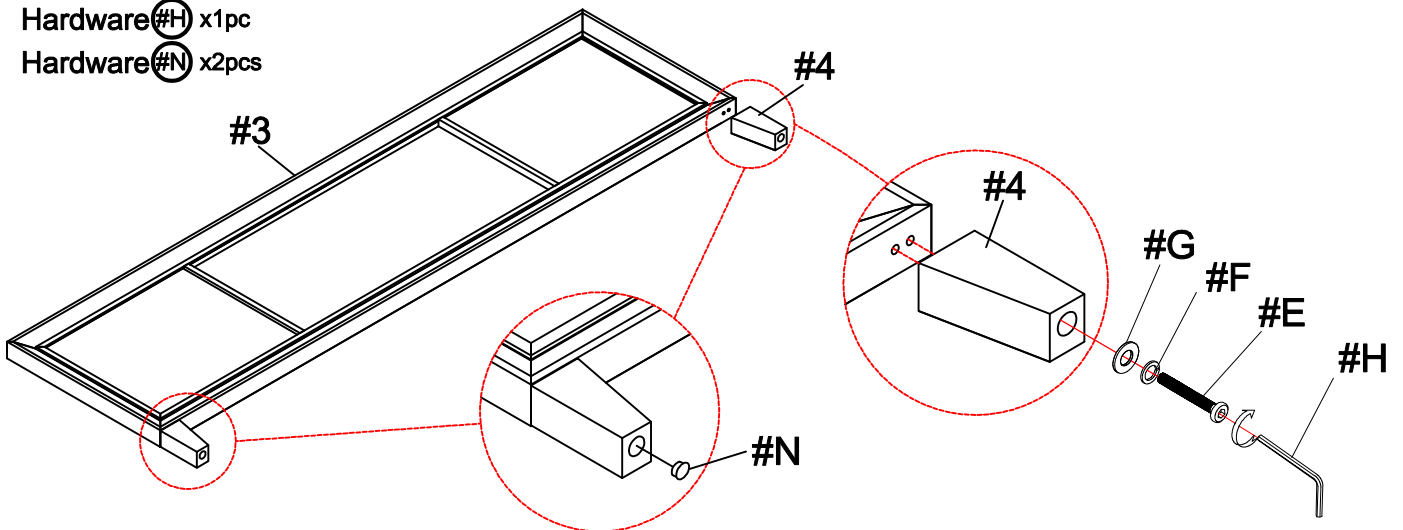


Align headboard support (#6) to HB legs (#2), then secure using bolts (#A) with washers (#B,C).

## 2

- Part #3 x1pc
- Part #4 x2pcs
- Hardware #E x2pcs
- Hardware #F x2pcs
- Hardware #G x2pcs
- Hardware #H x1pc
- Hardware #N x2pcs

Align Footboard (#3) to Legs (#4), then secure using bolts (#E) with washers (#F,G).



# ASSEMBLY INSTRUCTIONS

## 3

Part #5 x2pcs

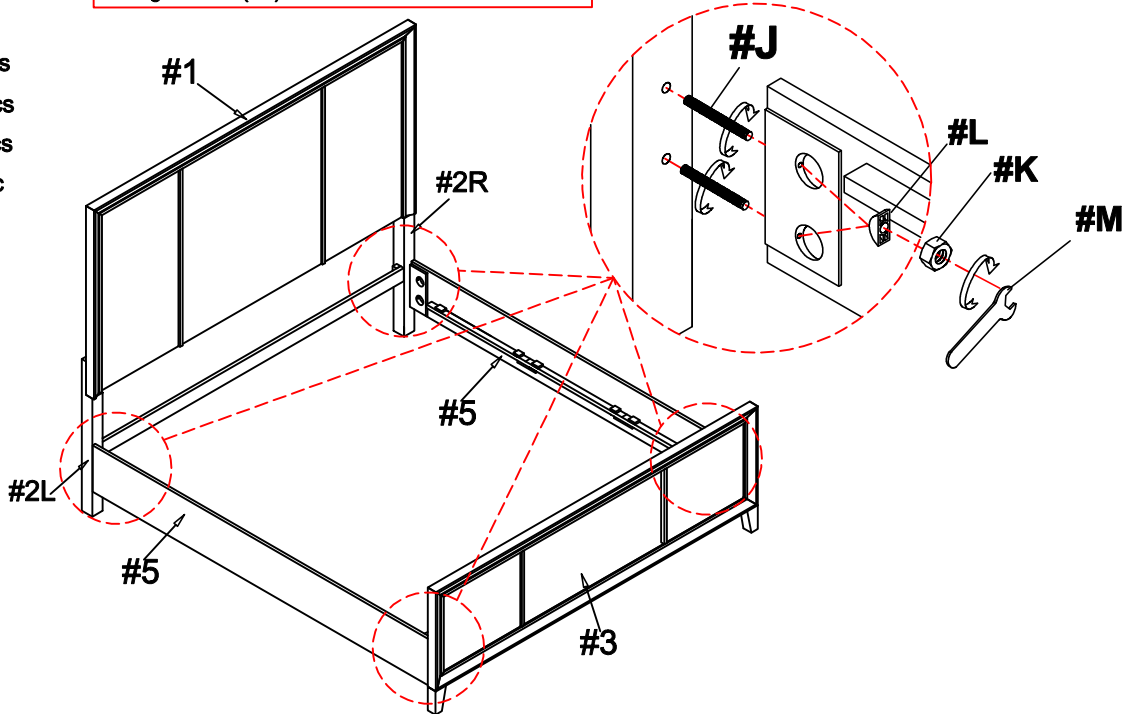
Hardware #J x8pcs

Hardware #K x8pcs

Hardware #L x8pcs

Hardware #M x1pc

Attach threaded pins (#J) to the headboard (#1) and footboard (#3), Align side rails (#5) to the pins (#J), then align half moon washer (#L) and secure using hex nut (#K).

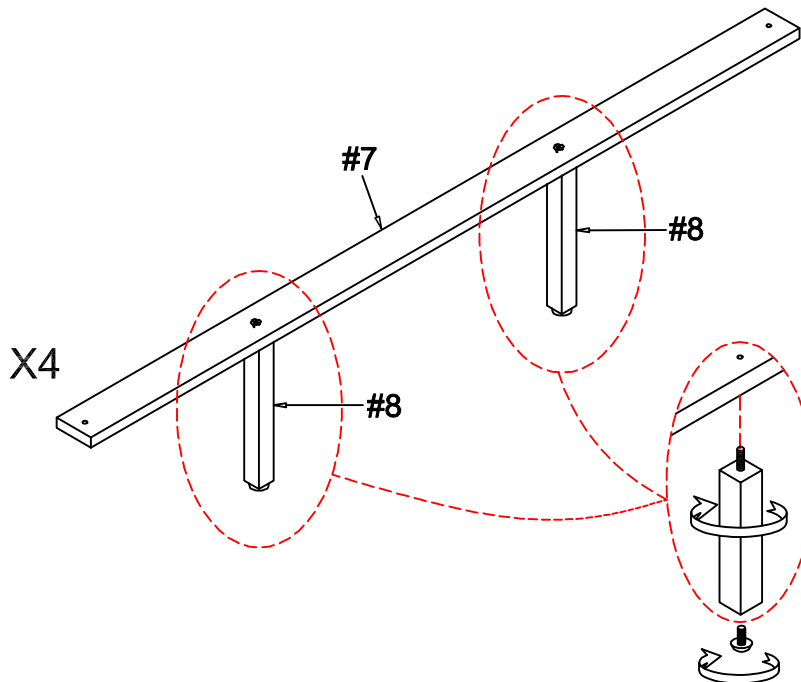


## 4

Part #7 x4pcs

Part #8 x8pcs

Attach support legs (#8) to slats (#7).

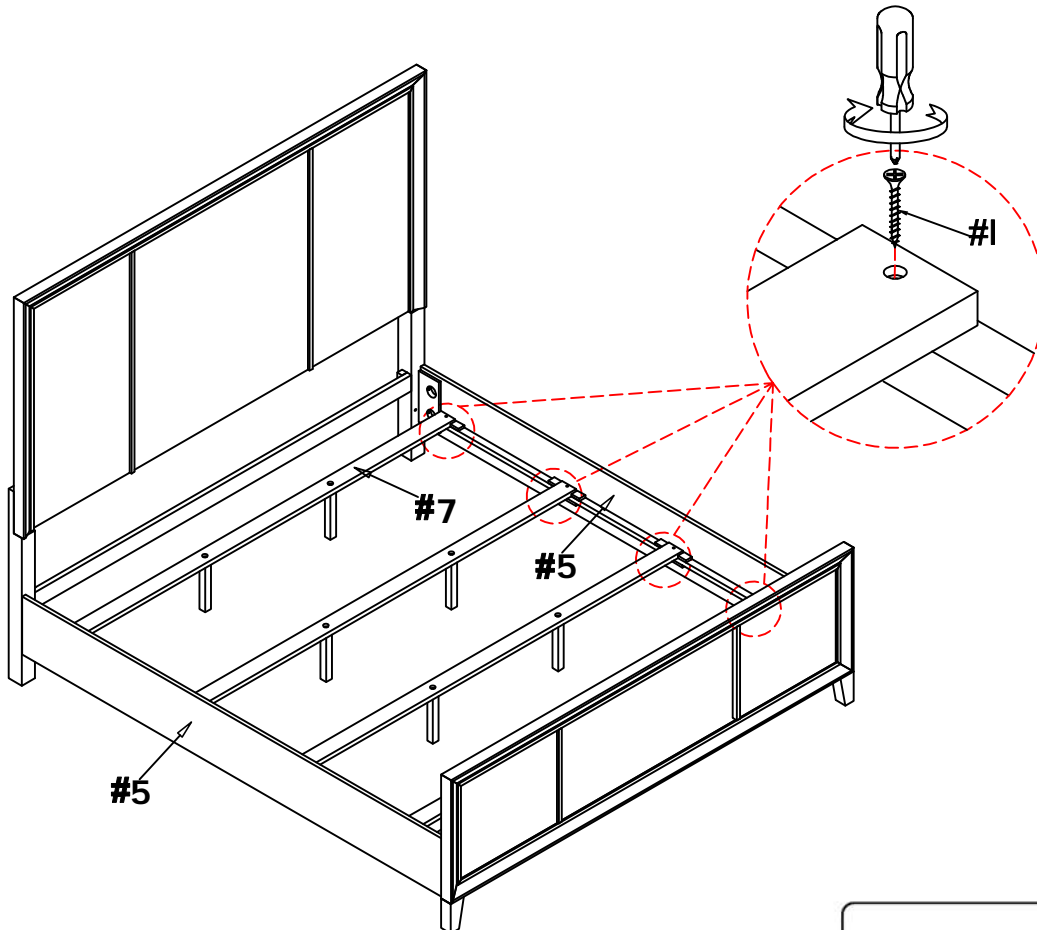


# ASSEMBLY INSTRUCTIONS

## 5

Hardware **#1** x8pcs

Align slats (#7) to the side rails (#5), then secure by using screw (#1).



## ASSEMBLY COMPLETED



Please ensure the furniture rests on an even and flat surface. If the product wobbles or feels loose, double-check all bolts and/or screws are properly tightened and secured.



### Keep this handy!

Please retain this instruction manual and any order-related information for future reference.



### Lift, don't drag!

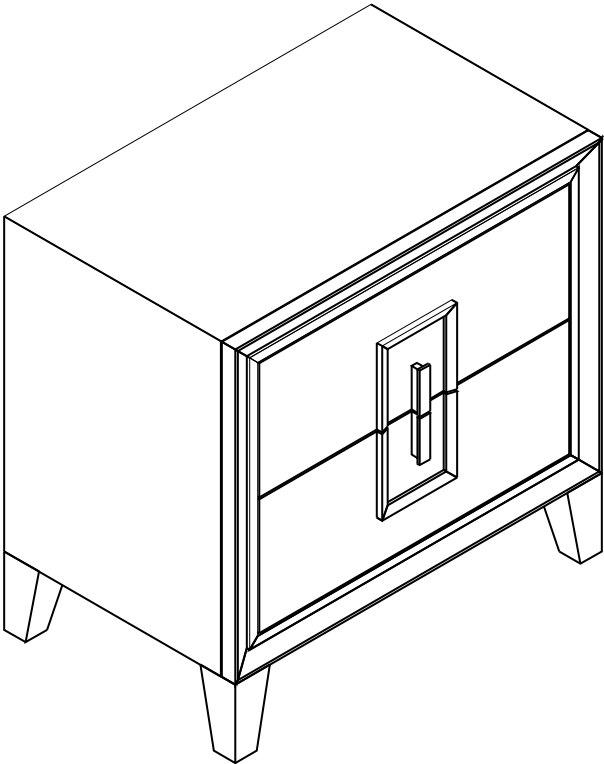
To avoid damage to product please always LIFT the product when transporting or adjusting the placement.

This product is intended for RESIDENTIAL USE ONLY and not for commercial use.

# ASSEMBLY INSTRUCTIONS

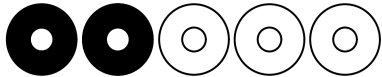
---

## TOOLS REQUIRED



2 - Persons  
Recommended

## ASSEMBLY RATING



EASY ————— DIFFICULT

The Assembly Rating is a 5-point system showing the level of effort needed to assemble a specific product.



## **CHECK BEFORE STARTING**

### **Are you missing anything?**

Double-check all parts, hardware and accessories listed on Page 6 are accounted for.

### **Check out our Quick Tips!**

We recommend reviewing the pre-assembly handouts. Even experts need a refresher now and then!

### **Should we send any replacements?**

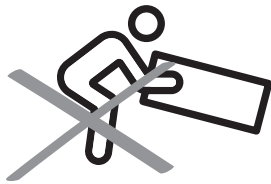
Are there any irregularities or flaws in the parts? We can send replacements!

### **Prep Time!**

Please review the assembly instructions and all diagrams prior to assembling. Arrange parts as recommended on Page 7 and group identical hardware together to make assembling easier.

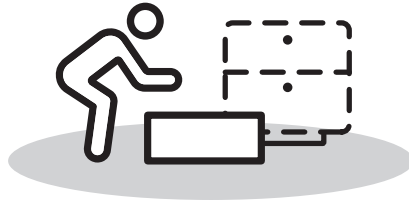
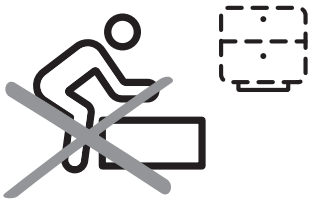
# PRE ASSEMBLY INTRODUCTION

We understand building ready-to-assemble furniture can be a challenging experience for some. To help avoid confusion, we have provided some helpful tips that may speed up the process.



## Teamwork

ALWAYS have at least two people to help with transporting and assembling the product to avoid potential injury and/or damage.



## Suitable Location

Assembling near the area of the intended location is highly recommended.



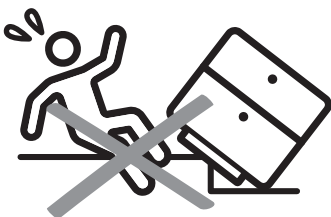
## Sufficient Space

Make sure you have enough space to move around during the assembly.



## Avoid Scratches

Use cardboard, blankets or a carpeted area while assembling furniture to prevent scratches.



## Flat Surface

Make sure the furniture rests on a flat and level surface with each leg evenly touching the floor.

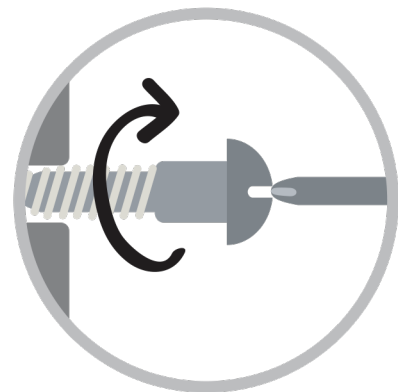
# ASSEMBLY AND CARE ADVICE



**FAILURE TO FOLLOW THE GUIDELINES BELOW MAY RESULT IN INJURY AND/OR PROPERTY DAMAGE.**



Position each part correctly and insert screws or bolts into their respective holes.



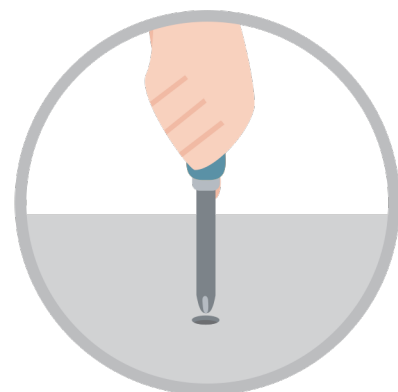
Turn clockwise to tighten and only tighten when step is completed or when instructed to do so.



Use the appropriate hand tools or power tools for assembly. Select steps, such as tightening screws and/or bolts, may require hand tools to avoid causing damage during assembly.



Save the instructions and store any supplied tools for later maintenance.



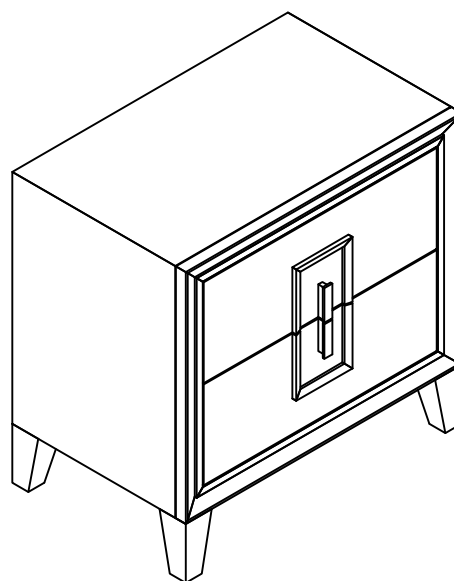
After two weeks, check and tighten any loose hardware and repeat again every six months thereafter.

**IT IS THE USER'S RESPONSIBILITY TO MAINTAIN THE FURNITURE. THE HARDWARE MAY LOOSEN OVER TIME AND MAY CAUSE THE FURNITURE TO BE WOBBLY AND UNABLE TO SUPPORT ITS INTENDED WEIGHT CAPACITY. THIS MAY LEAD TO COLLAPSE AND MAY CAUSE SERIOUS INJURY.**

# NIGHTSTAND

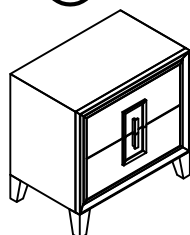


- Please keep instructions for future reference.
- Check the quantity and irregularity of parts and hardware before you start.



## PARTS

#1 1pc



Night stand

#2 4pcs



Leg

## HARDWARE

#A 4pcs



Bolt Ø5/16" x 3"

#B 4pcs



Spring Washer Ø5/16"

#C 4pcs



Flat Washer Ø5/16"

#D 1pc



Allen Wrench  
M4

#E 4pcs



Plastic Glide  
Ø24mm

#F 1Set

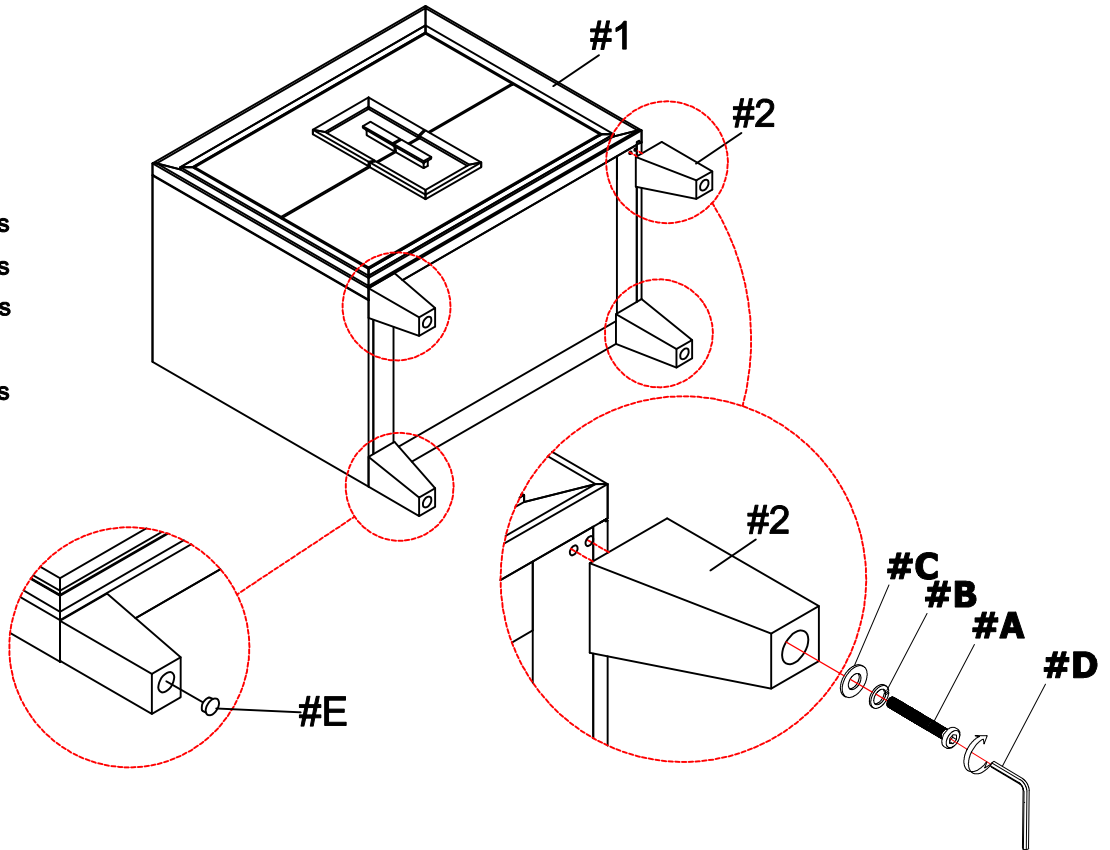


Tipping Restrain

# ASSEMBLY INSTRUCTIONS

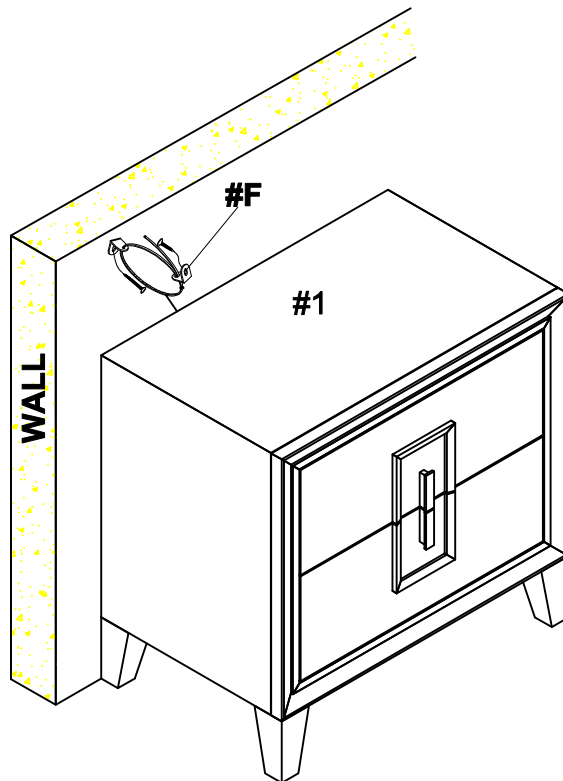
## 1

- Part #1 x1pc
- Part #2 x4pcs
- Hardware #A x4pcs
- Hardware #B x4pcs
- Hardware #C x4pcs
- Hardware #D x1pc
- Hardware #E x4pcs



## 2

- Part #1 x1pc
- Hardware #F x1set



### ASSEMBLY COMPLETED



Please ensure the furniture rests on an even and flat surface. If the product wobbles or feels loose, double-check all bolts and/or screws are properly tightened and secured.

#### ✓ Keep this handy!

Please retain this instruction manual and any order-related information for future reference.

#### ✓ Lift, don't drag!

To avoid damage to product please always LIFT the product when transporting or adjusting the placement.

This product is intended for RESIDENTIAL USE ONLY and not for commercial use.

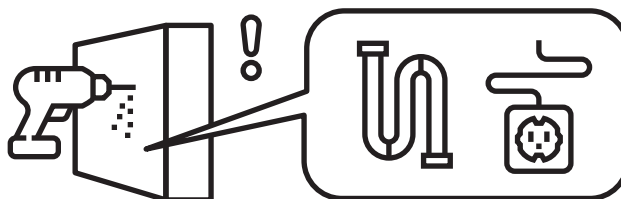
# ASSEMBLY INSTRUCTIONS

## Wall Mounting and Fixing



### EXPANSION WALL ANCHOR

Our provided expansion wall anchors are only suitable for masonry walls, such as drywall, plaster or concrete, and are best for holding lightweight items or for anti-tip prevention. If you are unsure of the correct wall anchor to use with the product, please request professional guidance. Liability for product damage or failure due to using the incorrect anchors will fall on the installer.

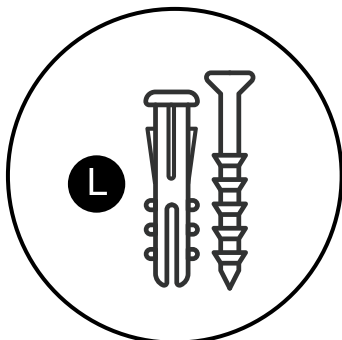


### CHECK BEFORE PROCEEDING

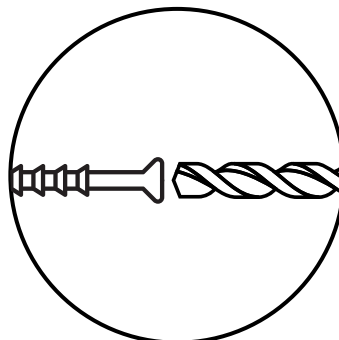
Prior to drilling or hammering, please check for wires or pipes. We recommend using a stud finder to locate a stud, which will offer more appropriate resistance and hold more weight.

## QUICK TIPS

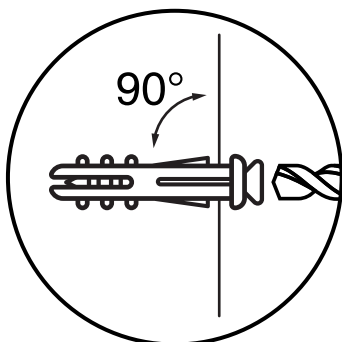
1. If unsure of the proper size, always choose a larger screw and wall anchor.



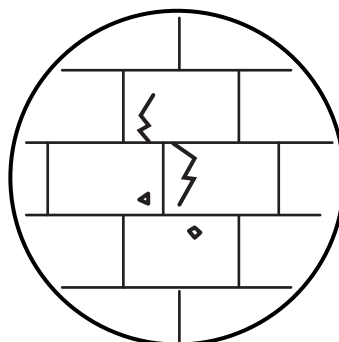
2. Match the drill bit to the wall anchor and hole size.



3. Only drill horizontally. Do not force the drill or enlarge the hole for the wall anchor.



4. Take extra care when drilling into high walls or ceramic tiles. Wall anchors should be a tight fit for the hole. Never use wall anchors in ceilings.



### MAINTENANCE



We recommend a yearly check to see if the wall anchor or screw has loosened. If so, please remove the existing wall anchor and screw, and use a new anchor.