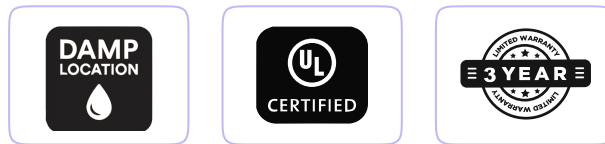


**DOUBLE SIDED  
EDGE-LIT EXIT SIGNS**  
With RED or GREEN Exit Letters

Project: \_\_\_\_\_ Location: \_\_\_\_\_  
Date: \_\_\_\_\_ Part #: \_\_\_\_\_  
Notes: \_\_\_\_\_



**Performance & Features**

**Product Highlights**

Letter 6"height with 3/4"stroke.  
Super bright RED or GREEN LED lamps.  
Double face  
Silver mylar

**Detail Specification**

**Finish:** Aluminum housing with high grade acrylic panel  
**IP:** Damp Location Rated  
**Voltage:** 120/277VAC dual voltage operation  
**Operating Temp:** 32°F to 104°C  
**Mounting:** Aluminum plate allows top, back or end mount  
**Lens:** Mirror

**Certifications**

FCC, CEC, DOE, ROHS Compliant  
3 Year warranty for battery  
5 Year warranty for electrical parts and housing

**Emergency Battery Specification**

Built-in 3.6V 600mAh Nickel cadmium battery  
180 minutes emergency operation  
Maximum 24 hours for full recharge time  
Test switch and charge indicator

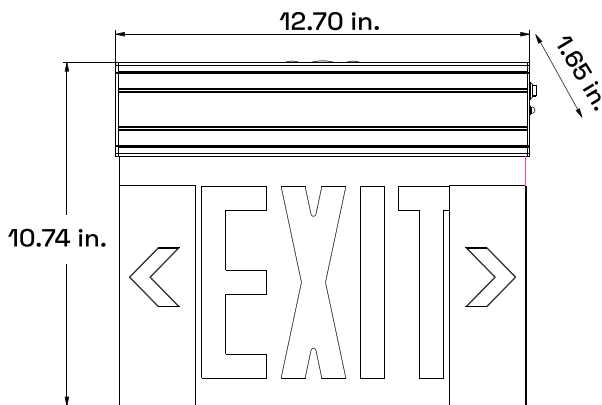
### Quick Order

Model No.	Rated Voltage	Input Current	Input Watt	LED Type	Charing Time	Emergency Runtime
Double Face, Red Letters EDGE-ES-2SR-S	120/277V	0.027-0.031A	3.5W	12pcs Red LEDs	24 Hrs	180 Mins
Double Face, Green Letters EDGE-ES-2SG-S	120/277V	0.027-0.031A	3.5W	12pcs Green LEDs	24 Hrs	180 Mins

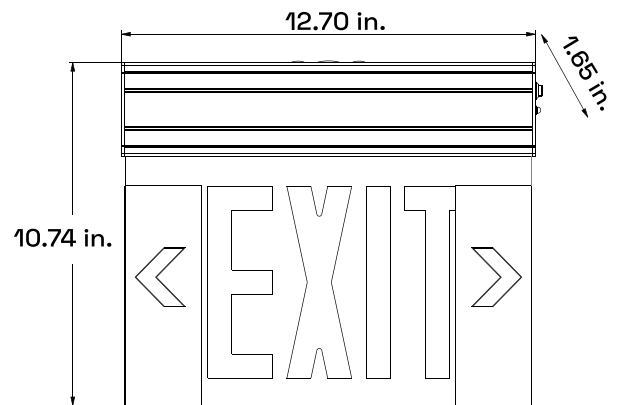
Contact for custom configuration & specifications

### Dimensions

EDGE-ES-2SR-S



EDGE-ES-2SG-S



### Packaging Dimensions

SKU#	Standard Carton	Qty	Master Carton	Qty
EDGE-ES-2SR-S	13.9x11.4x 2.3in	1	15.1x14.7x 12.5in	6
EDGE-ES-2SG-S	13.9x11.4x2.3in	1	15.1x14.7x12.5in	6

**Note:** Photometry available on request