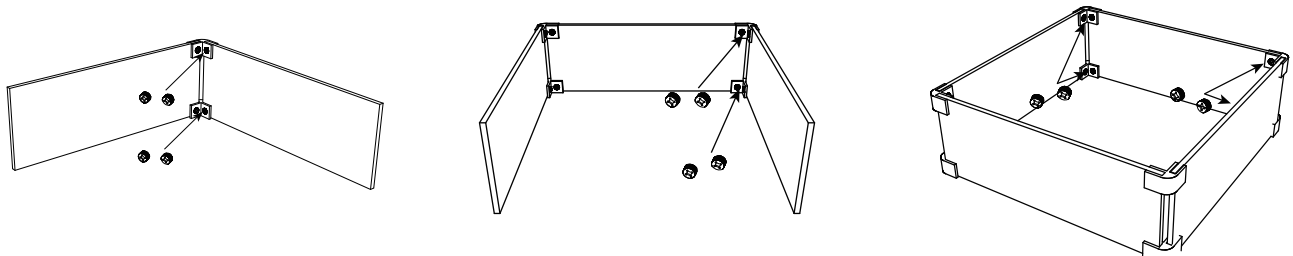


# Assembly Instruction

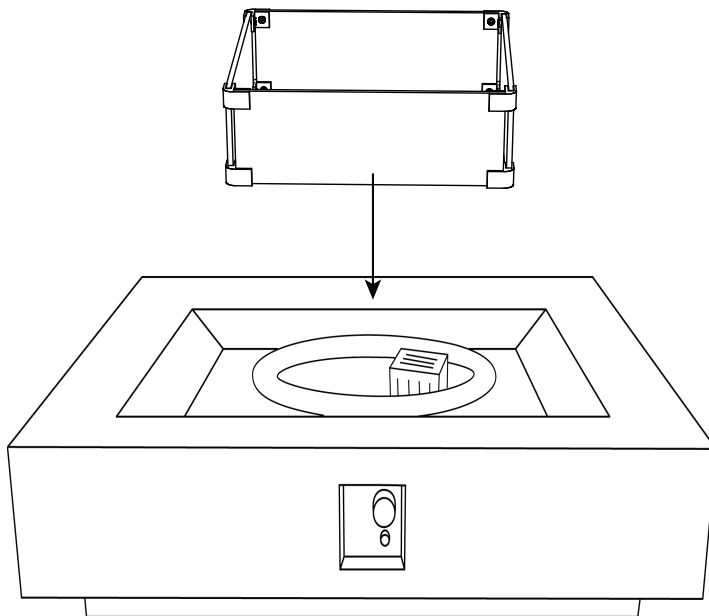
## 1 Assemble the glass

- Firstly, unscrew all preassembled screws on the glass clamps. Then, assemble one glass panel to **the other** glass panel with the glass clamps one by one as shown below.  
Notice: Please loosen the space between each piece of glass properly, and don't clamp it too tightly.



## 2 Place the glass

- Place the protective glass assembled in step 1 on the top of the fire table body .



**! DANGER**



**HOT GLASS** WILL CAUSE BURNS.  
DO NOT TOUCH GLASS UNTIL COOLED.  
NEVER ALLOW CHILDREN TO TOUCH GLASS.