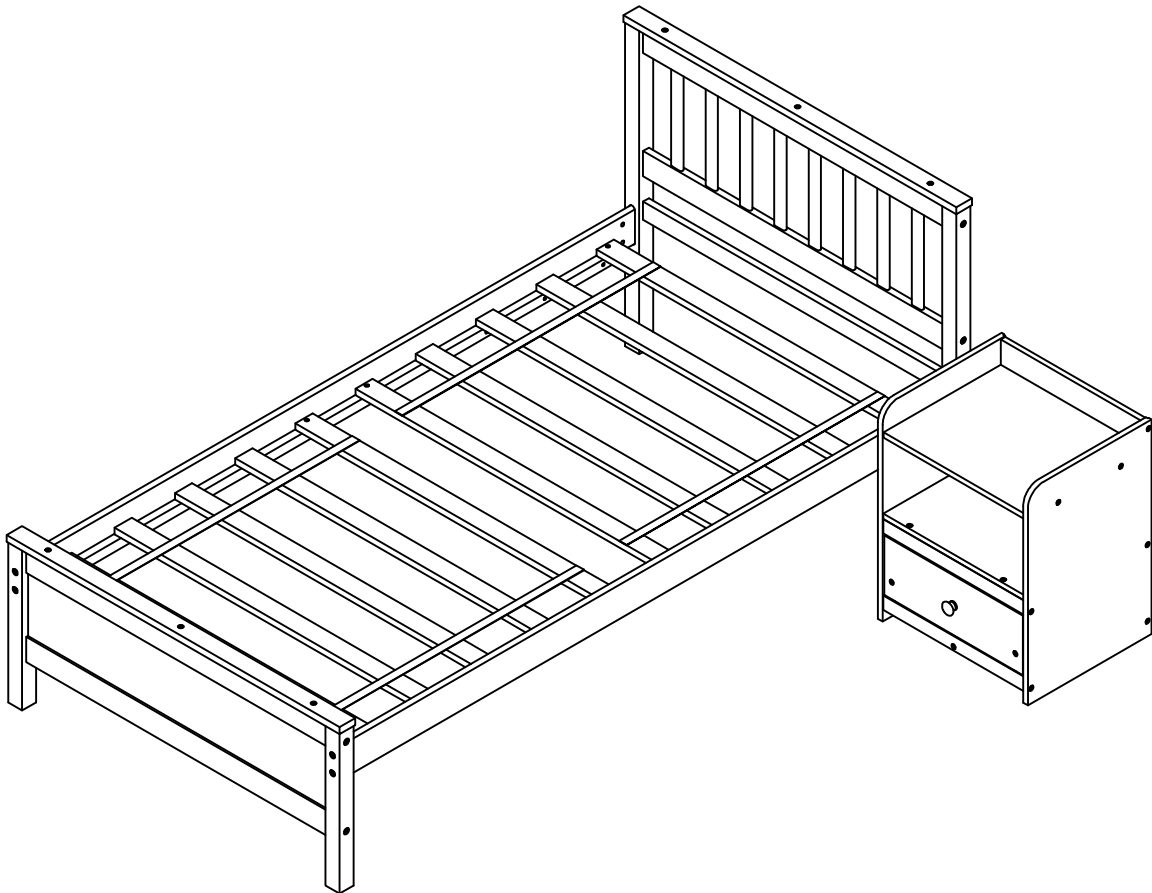


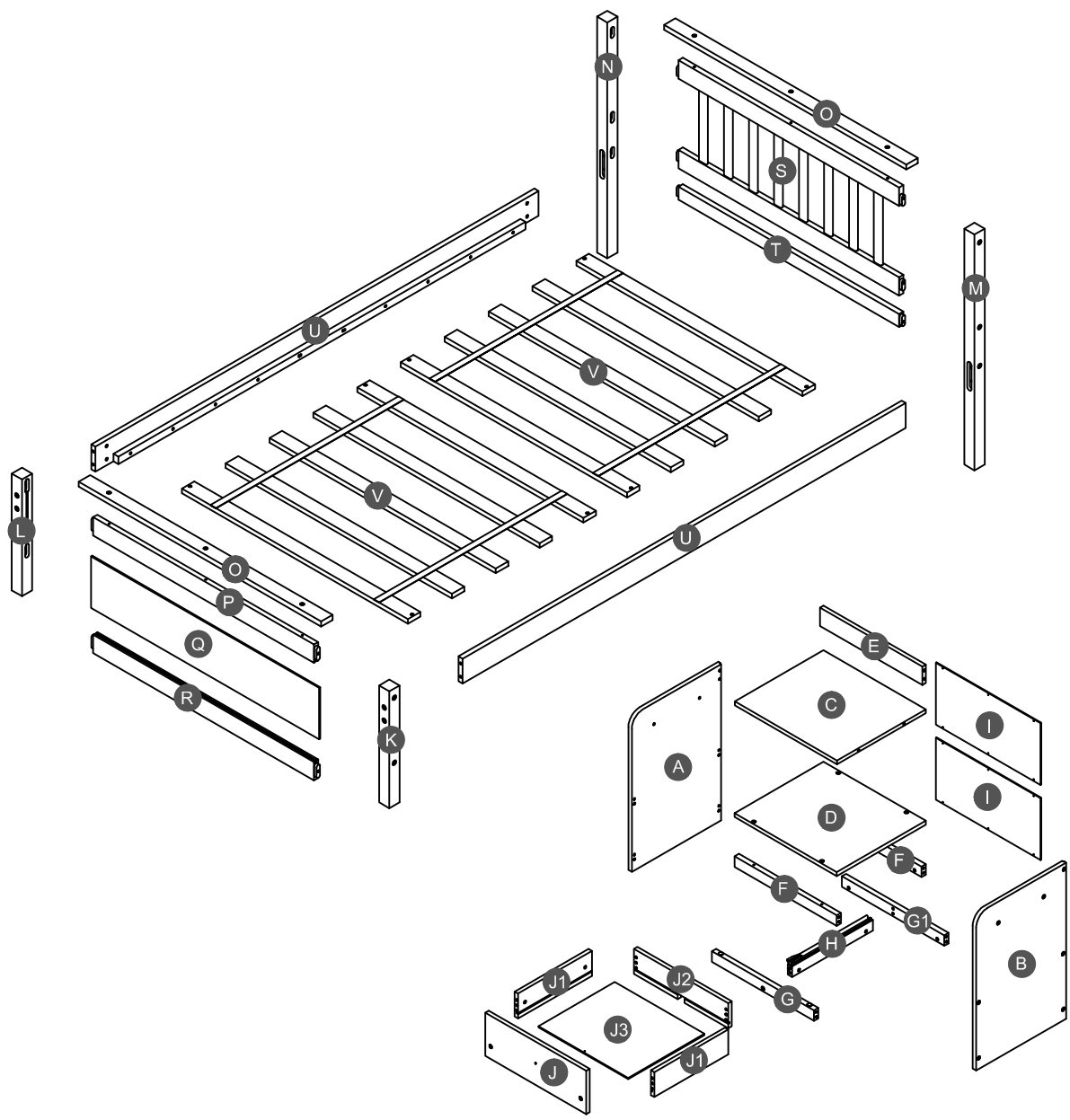
ASSEMBLY INSTRUCTIONS

TWIN BED WITH 1 NIGHTSTAND WITH DRAWER

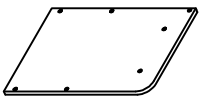
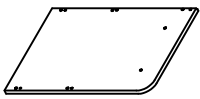
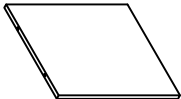
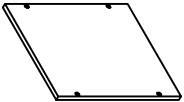
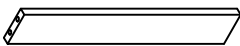
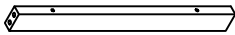
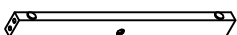
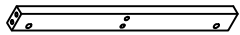

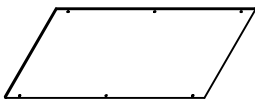
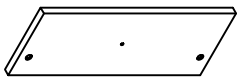
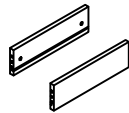
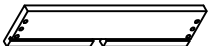

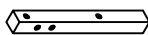
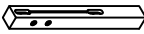
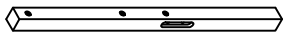
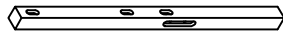

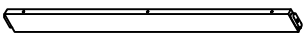

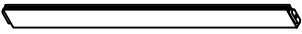
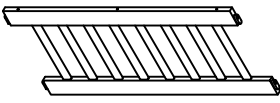
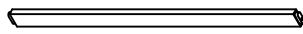

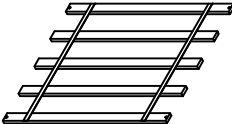


DN33744

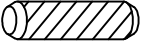

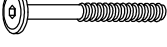







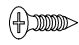


Detail View



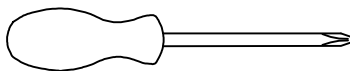
Part List

A  Side panel (Left) - 1pc	B  Side panel (Right) - 1pc	C  Top panel - 1pc
D  Shelf panel - 1pc	E  Upper horizontal bar - 1pc	F  Divider horizontal bar - 2pcs
G  Lower horizontal bar (Front) - 1pc	G1  Lower horizontal bar (Back) - 1pc	H  Support drawer - 1pc
I  Back panel - 2pcs	J  Drawer front - 1pc	J1  Drawer (left/right) - 2pcs
J2  Drawer back - 1pc	J3  Drawer bottom - 1pc	K  Leg (Left Front) - 1pc
L  Leg (Left Back) - 1pc	M  Leg (Right Front) - 1pc	N  Leg (Right Back) - 1pc
O  Cap for lower HB & FB - 2pcs	P  Horizontal bar FB - 1pc	Q  Side panel FB - 1pc
R  Horizontal bar FB - 1pc	S  Frame HB - 1pc	T  Horizontal bar HB - 1pc
U  Side rail - 2pcs	V  Slat (2Sets = 5pcs/set)	

Hardware List

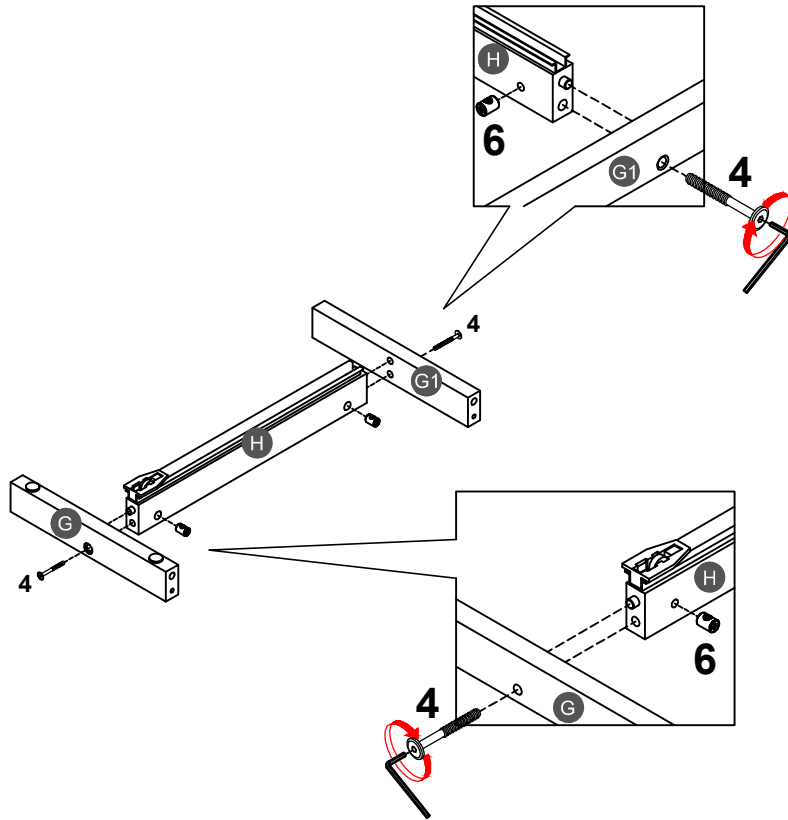
<p>1</p>  <p style="text-align: center;">Ø8*30mm</p> <p style="text-align: center;">Wood dowel (18pcs)</p>	<p>2</p>  <p style="text-align: center;">(Ø15)1/4"*100mm</p> <p style="text-align: center;">Hex-Head bolts (8pcs)</p>	<p>3</p>  <p style="text-align: center;">(Ø15)1/4"*80mm</p> <p style="text-align: center;">Hex-Head bolts (10pcs)</p>
<p>4</p>  <p style="text-align: center;">(Ø15)1/4"*60mm</p> <p style="text-align: center;">Hex-Head bolts (20pcs)</p>	<p>5</p>  <p style="text-align: center;">(Ø12)1/4"*40mm</p> <p style="text-align: center;">Hex-Head bolts (10pcs)</p>	<p>6</p>  <p style="text-align: center;">1/4"*15 (9.5mm)</p> <p style="text-align: center;">Horizontal-Hole bolts(38pcs)</p>
<p>7</p>  <p style="text-align: center;">Ø4*30mm</p> <p style="text-align: center;">Wood screws (8pcs)</p>	<p>8</p>  <p style="text-align: center;">Ø38*31mm</p> <p style="text-align: center;">Pine Knob (1pc)</p>	<p>9</p>  <p style="text-align: center;">3/16"*30mm</p> <p style="text-align: center;">Ph zinc(Knob) (1pc)</p>
<p>10</p>  <p style="text-align: center;">340*30mm</p> <p style="text-align: center;">Upper slider drawer (1pc)</p>	<p>11</p>  <p style="text-align: center;">Ø3.5*15mm</p> <p style="text-align: center;">Wood screws (3pcs)</p>	<p>12</p>  <p style="text-align: center;">(1/4")4.5*58mm</p> <p style="text-align: center;">Allen key (1pc)</p>
<p>13</p>  <p style="text-align: center;">Ø3.5*15mm</p> <p style="text-align: center;">Wood screws (12pcs)</p>		



ASSEMBLY TOOLS REQUIRED (NOT INCLUDED)



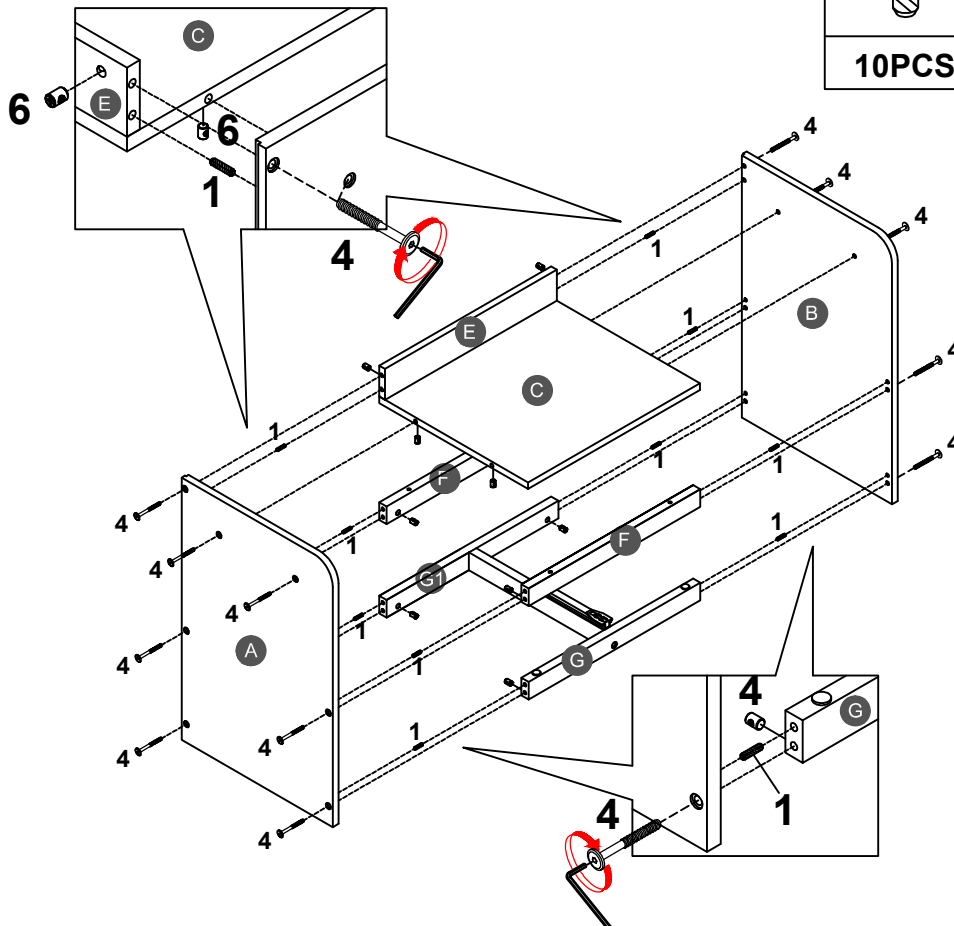
PLEASE BE CAREFUL DO NOT DAMAGE THE HOLE POSITION WHEN YOU USE POWER TOOLS !




STEP 1:



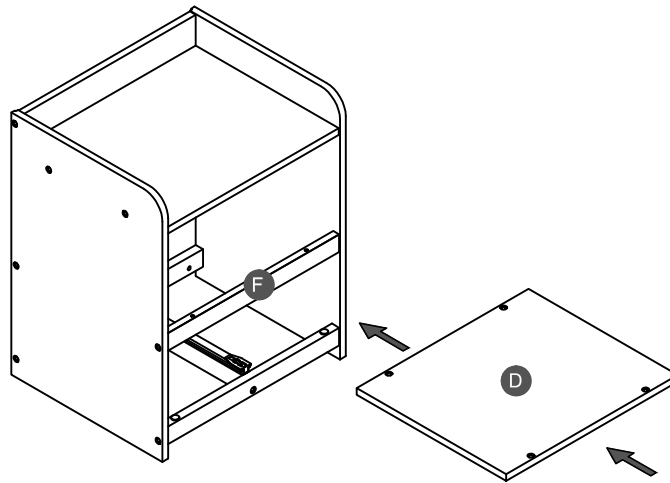
4		6	
2PCS		2PCS	

STEP 2:




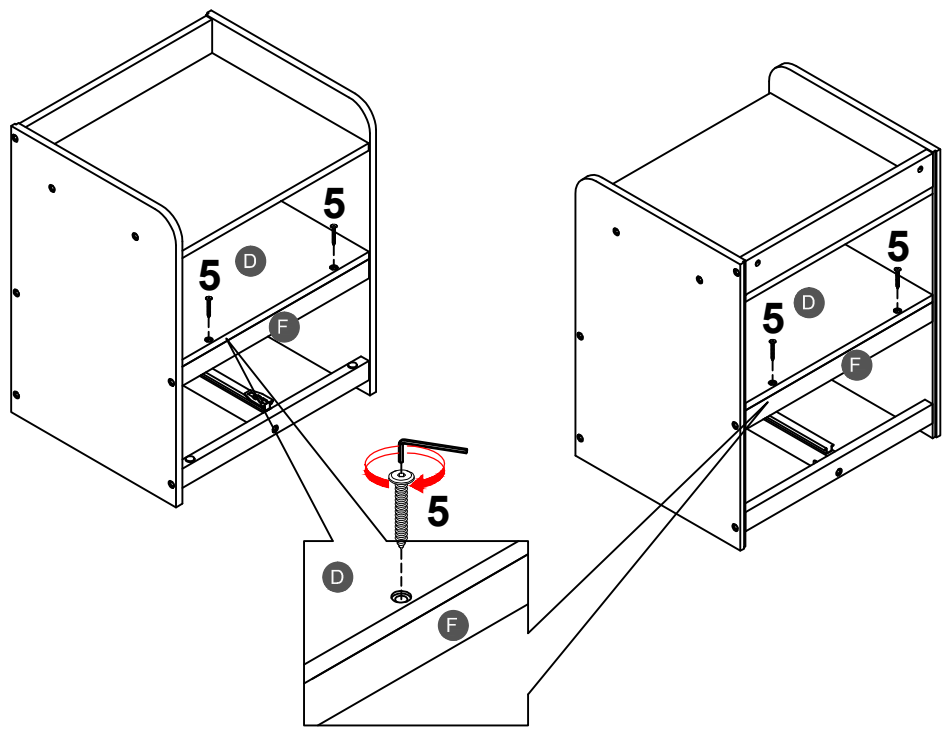
1		4		6	
10PCS		14PCS		14PCS	

STEP 3:



STEP 4:

5	
4PCS	

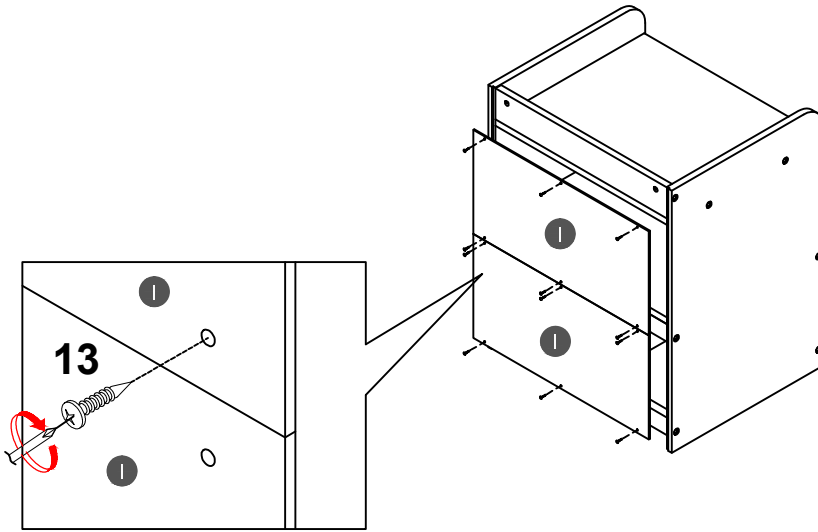


STEP 5:

13



12PCS



STEP 6:

1



4PCS

4

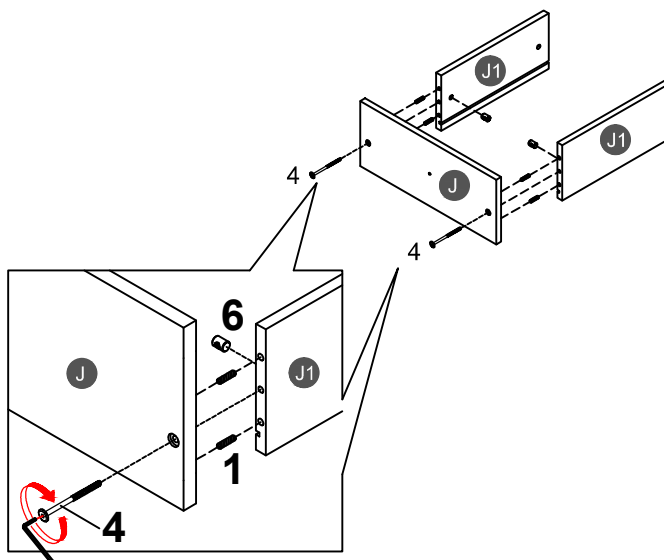


2PCS

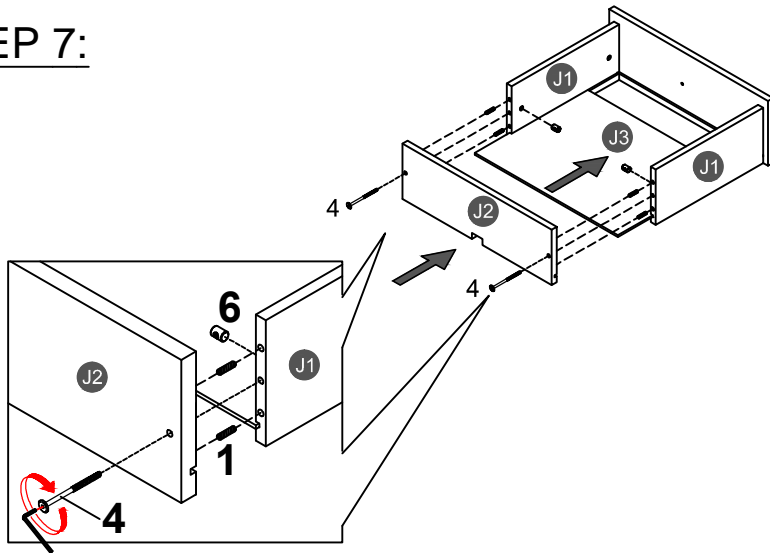
6



2PCS

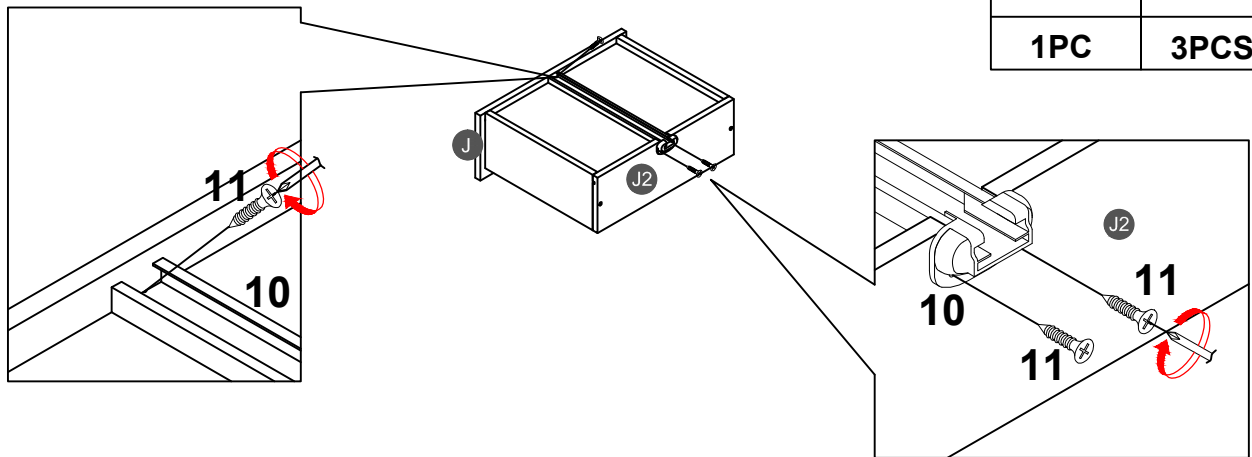


STEP 7:



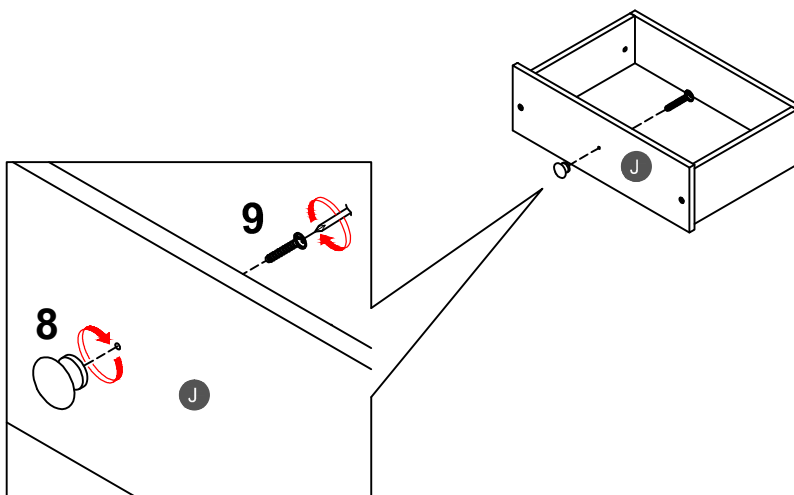
1		4	
4PCS		2PCS	
		6	
		2PCS	

STEP 8:



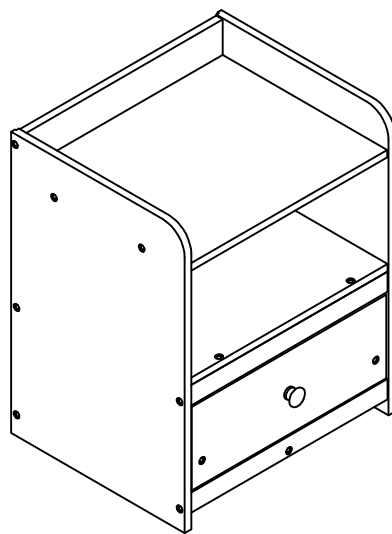
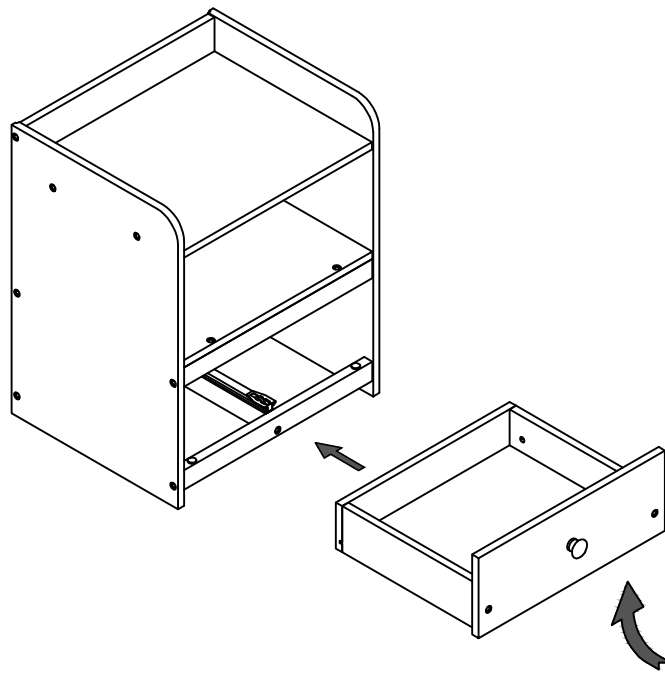
10		11	
1PC		3PCS	

STEP 9:

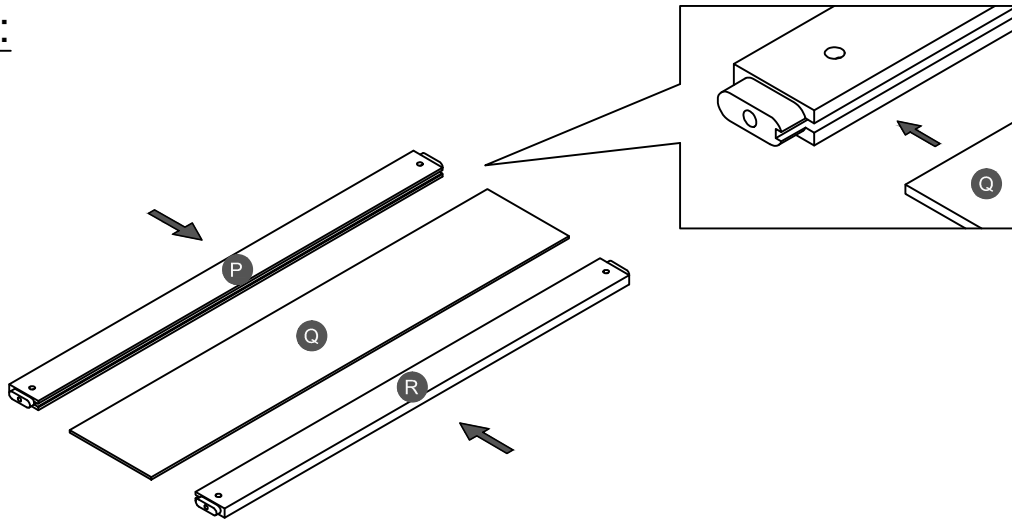


8		9	
3PCS		3PCS	



STEP 10:

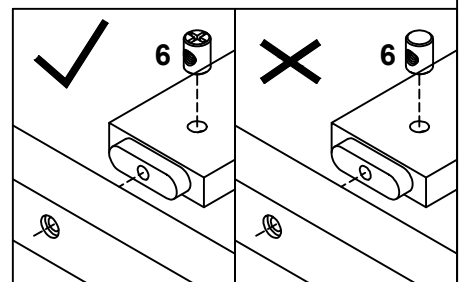
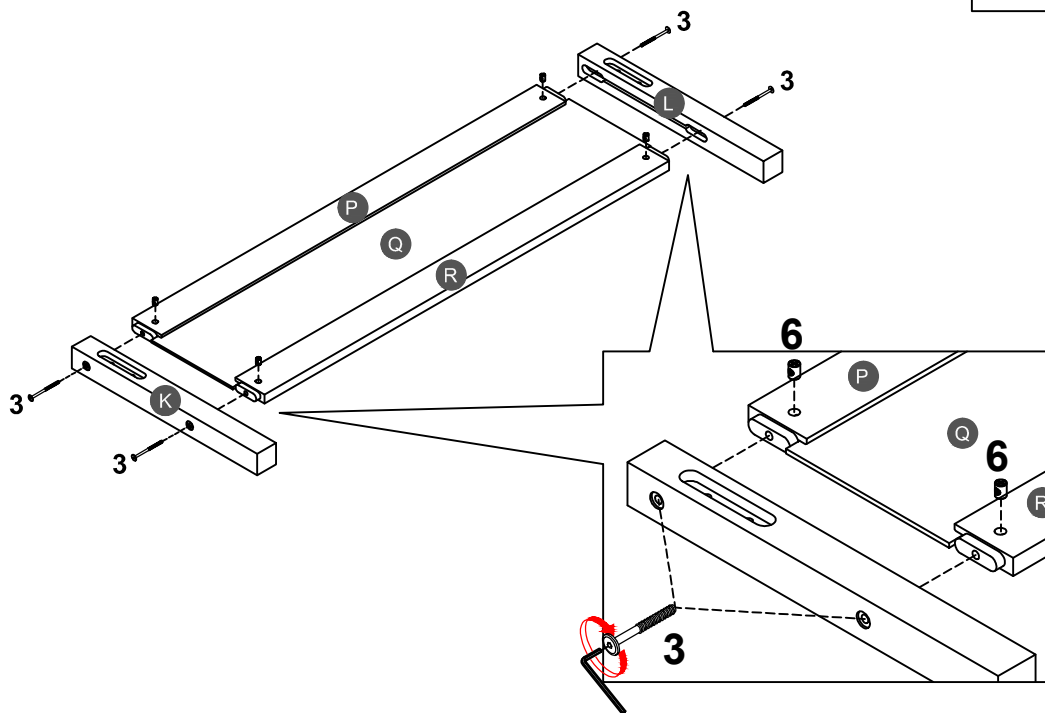


STEP 11:



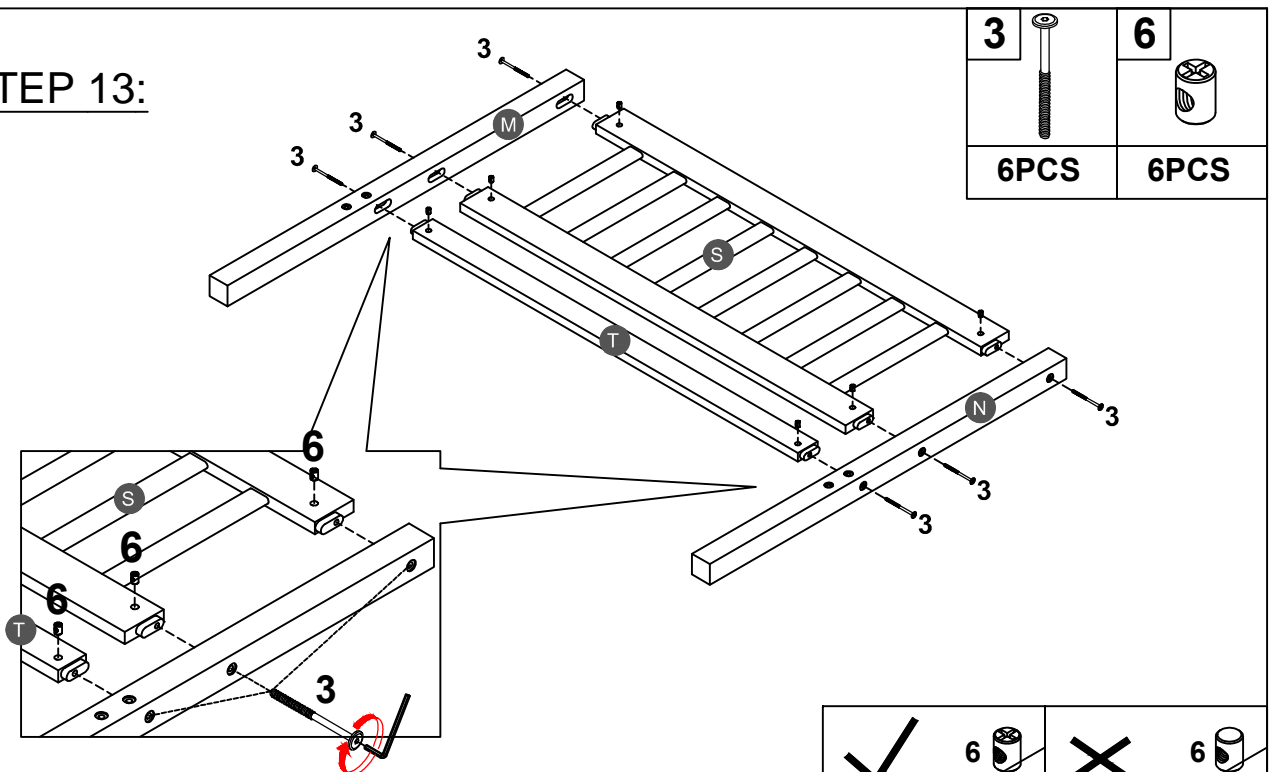
STEP 12:



3	6
	
4PCS	4PCS



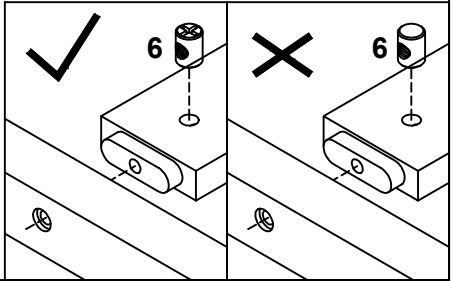
Note: Part 6 will face up with the "x" mark on it, otherwise it cannot be tightened

STEP 13:

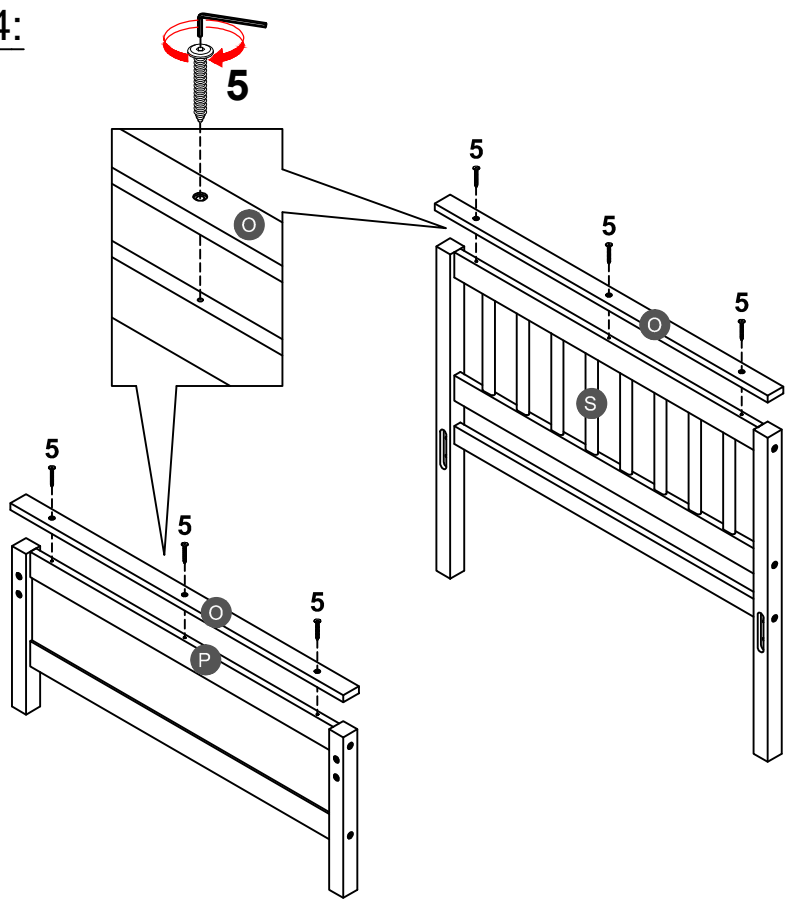



3		6	
6PCS		6PCS	

Note: Part 6 will face up with the "x" mark on it, otherwise it cannot be tightened

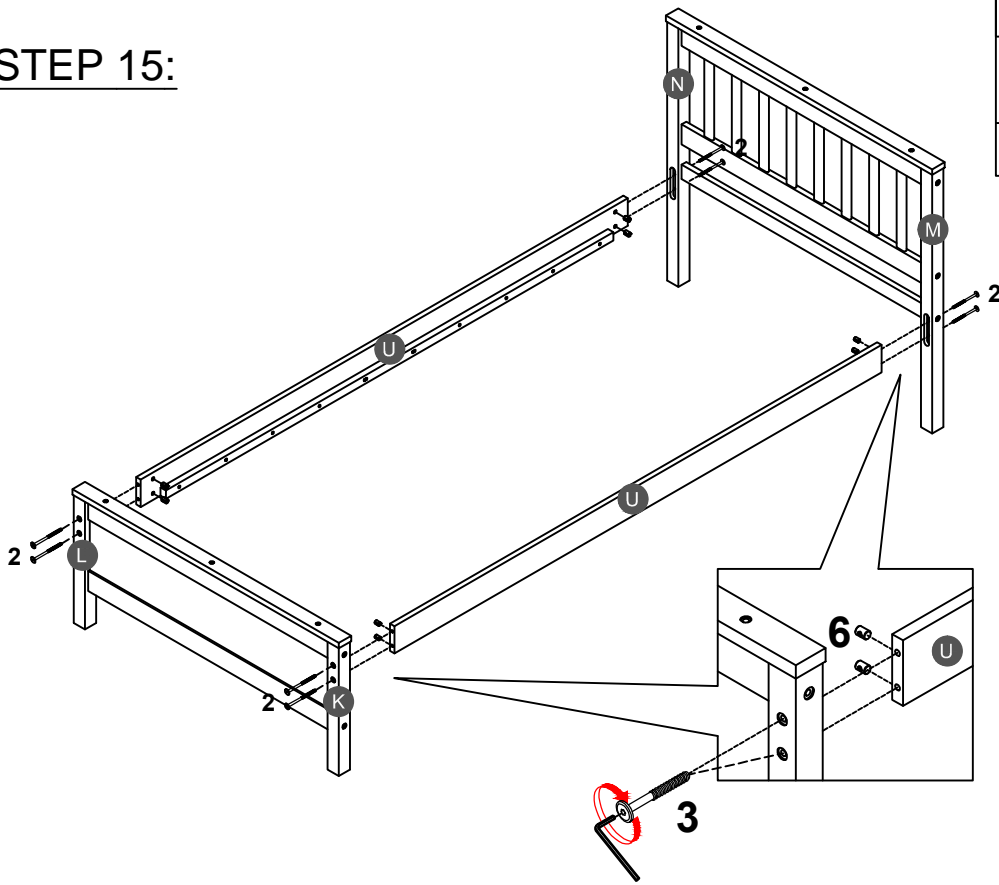


STEP 14:

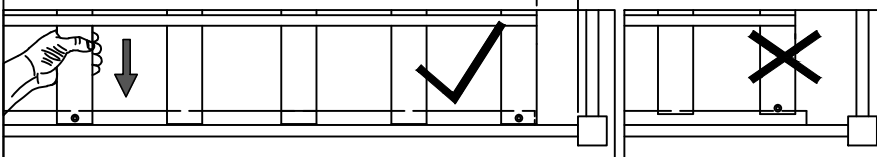
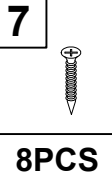
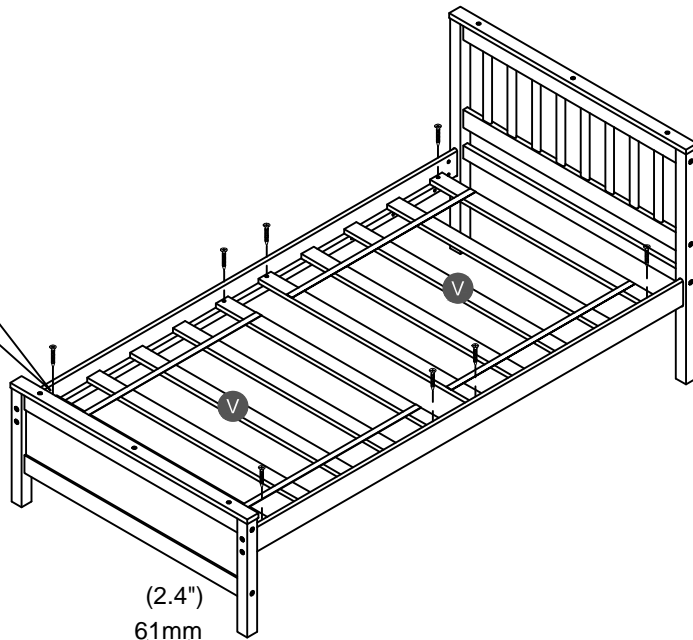
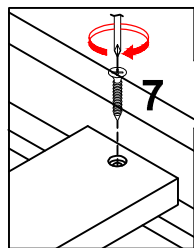


5	
6PCS	

STEP 15:



STEP 16:



Note: Do not lock the screws of the bed slats to the outermost edge of the bed slats, you need to leave a certain space at the edges, otherwise it will cause the board to break. Do not lock the bed slats on the edge of the wood, please hold firmly before screwing , hold it in place with one hand, then lock the screw.