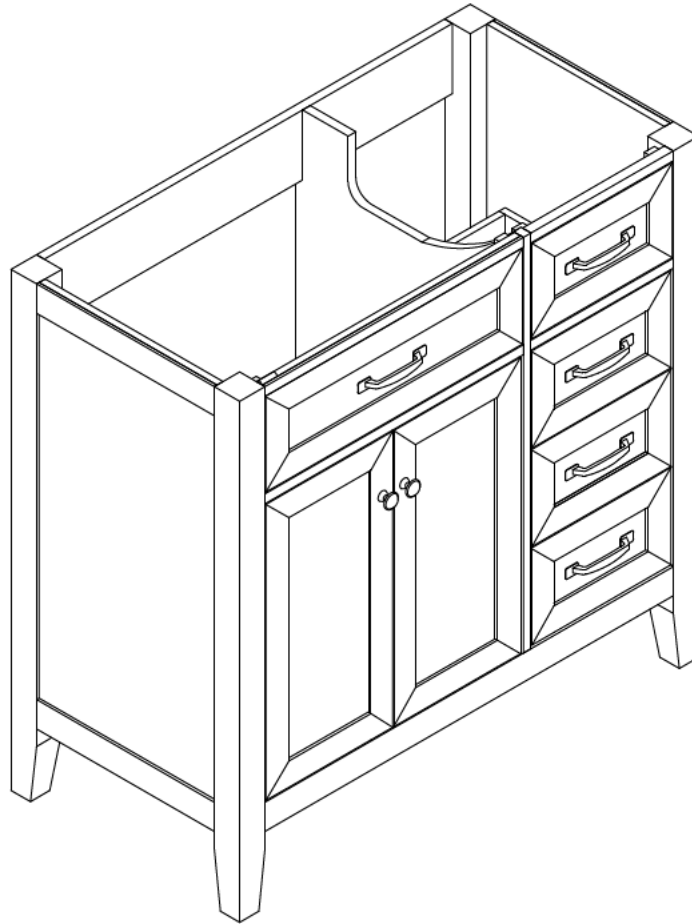


# ASSEMBLY INSTRUCTIONS

## 36 INCH BATH VANITY-CABINET

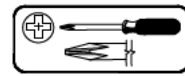


Thank you for purchasing this quality product. Be sure to check all packing material carefully for small parts which may have come loose inside the carton during shipment. Separate, identify and count all parts and hardware. Compare with the parts list to be sure all parts are present.  
**"DO NOT TIGHTEN SCREWS UNTIL COMPLETELY ASSEMBLED"**

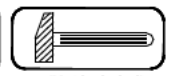
- \* Use of power tool to assemble this product will invalidate any claim and damage this product making unsafe !!!
- \* Please assemble on a clean soft surface to avoid damage.



### Tools Required



(Not Included)



(Not Included)

### IMPORTANT:

**PLEASE READ INSTRUCTION BEFORE STARTING THE ASSEMBLY**

**Thank you for buying our products.**

**Please read the installation manual carefully before installation,**

**we need you to follow the instructions on the accessories and hardware**

**step by step assembly complete, our instructions are very detailed.**

**Products are environmentally friendly products,**

**Please rest assured that you do not soak in water, do not place very heavy items,**

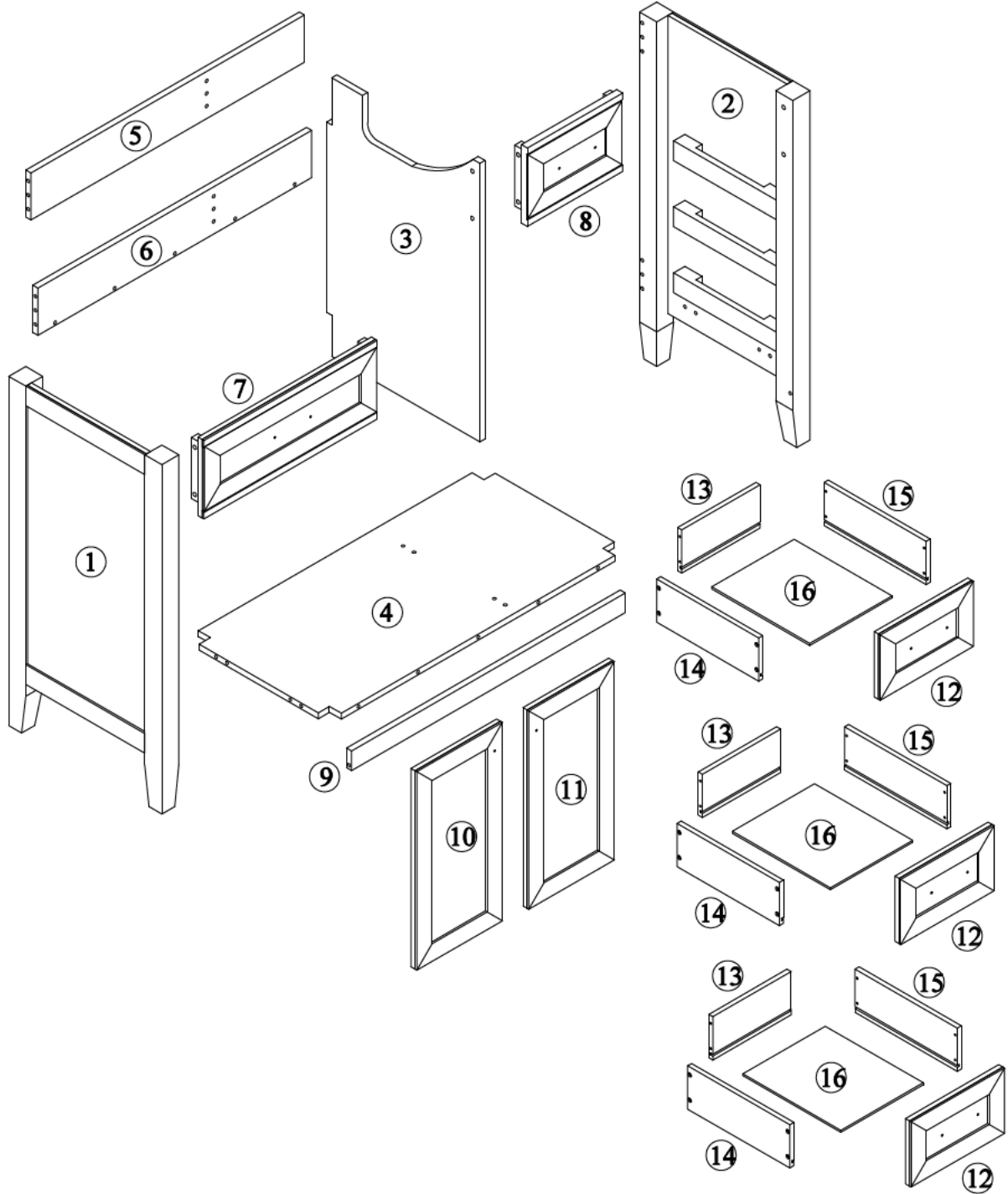
**do not malicious push and pull,**

**if you have any problems in the process of assembly and use, please contact us.**

**Thank you again for your purchase of our products,**

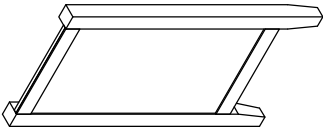
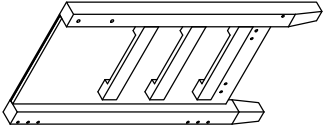
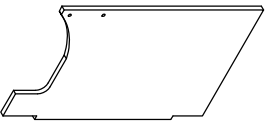
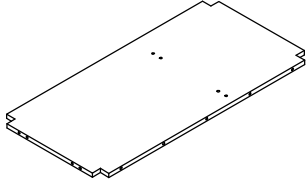
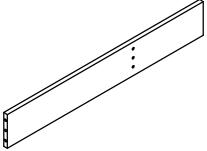
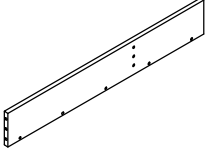
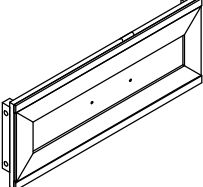
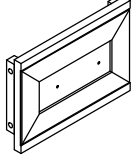
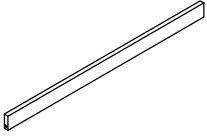


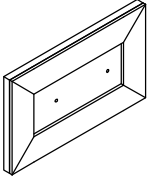
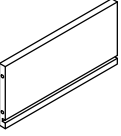
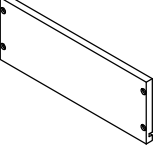
**I wish you a happy life.**

# Detail View - CABINET

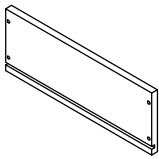
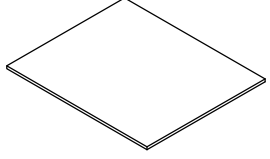


**Identifying the Hardware**—Identify the hardware using the illustrations below.




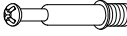



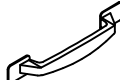
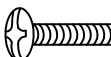
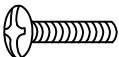
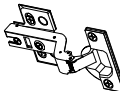
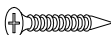
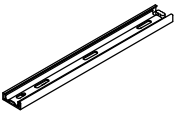
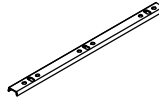
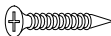



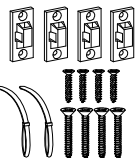
# Part List

<p><b>1</b></p>  <p><b>Side Panel (L) - 1pc</b></p>	<p><b>2</b></p>  <p><b>Side Panel (R) - 1pc</b></p>
<p><b>3</b></p>  <p><b>Center Panel - 1pc</b></p>	<p><b>4</b></p>  <p><b>Bottom Panel - 1pc</b></p>
<p><b>5</b></p>  <p><b>Back Panel Top - 1pc</b></p>	<p><b>6</b></p>  <p><b>Back Panel Bottom - 1pc</b></p>
<p><b>7</b></p>  <p><b>Front Panel (L) - 1pc</b></p>	<p><b>8</b></p>  <p><b>Front Panel (R) - 1pc</b></p>
<p><b>9</b></p>  <p><b>Bottom Rail - 1pc</b></p>	<p><b>10</b></p>  <p><b>Door (L) - 1pc</b></p>
<p><b>11</b></p>  <p><b>Door (R) - 1pc</b></p>	<p><b>12</b></p>  <p><b>Drawer Front - 3pcs</b></p>
<p><b>13</b></p>  <p><b>Drawer Back - 3pcs</b></p>	<p><b>14</b></p>  <p><b>Drawer Side (L) - 3pcs</b></p>

# Part List

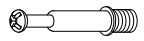
<p><b>15</b></p>  <p><b>Drawer Side (R) - 3pcs</b></p>	<p><b>16</b></p>  <p><b>Drawer Bottom - 3pcs</b></p>
---	--

# Hardware List

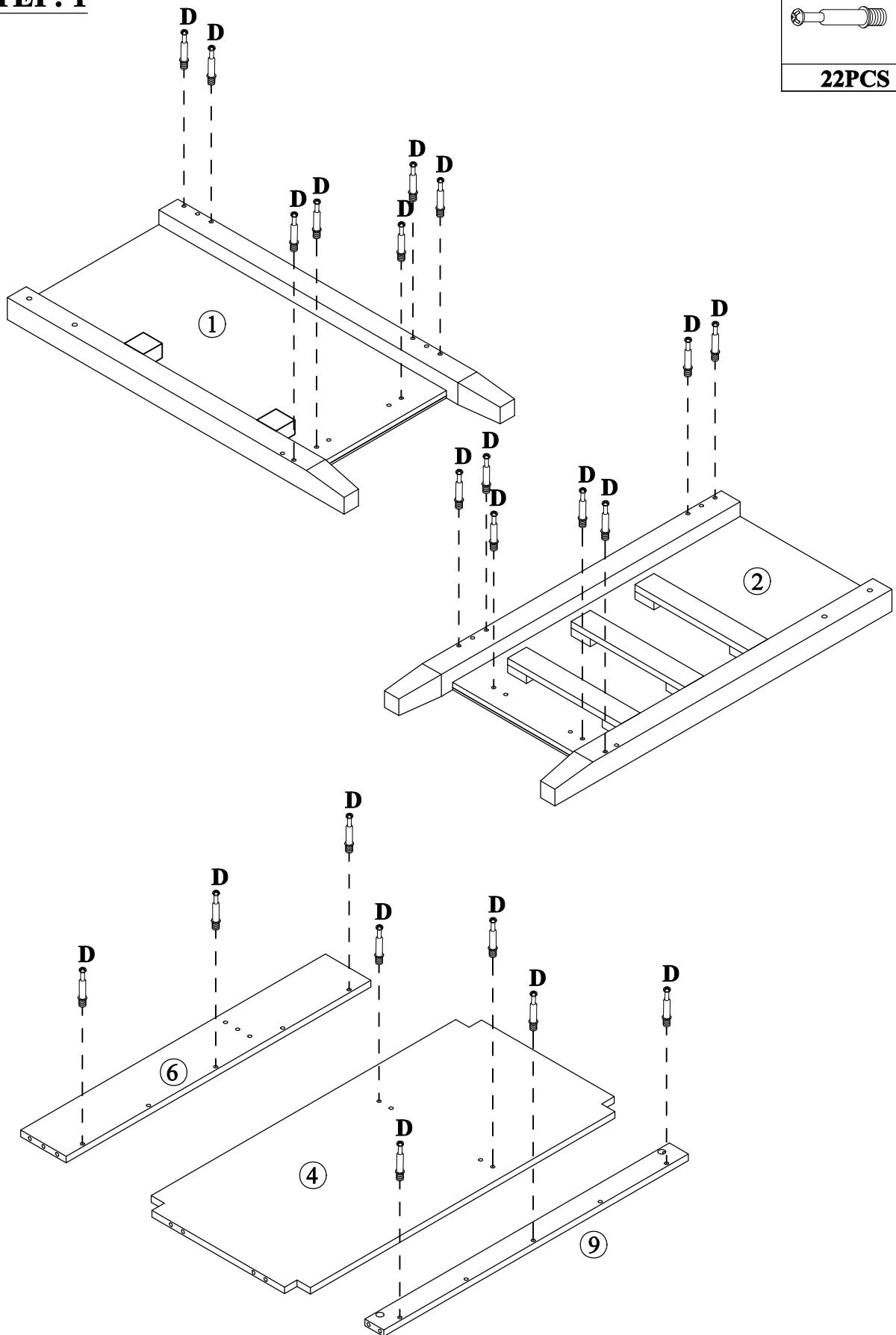
<p><b>A</b></p>  <p><math>\varnothing 13 \times 1/4" \times 50 \text{mm}</math></p>	<p><b>B</b></p>  <p><math>\varnothing 13 \times 1/4" \times 32 \text{mm}</math></p>	<p><b>C</b></p>  <p><math>\varnothing 1/4" \times 16 \times 1 \text{mm}</math></p>
<p>Hex-Head bolts(2pcs)      Hex-Head bolts(4pcs)      Washer(6pcs)</p>		
<p><b>D</b></p>  <p><math>\varnothing 6 \times 35 \text{mm}</math></p>	<p><b>E</b></p>  <p><math>\varnothing 14.5 \times 12 \text{mm}</math></p>	<p><b>F</b></p>  <p><math>\varnothing 8 \times \varnothing 4 \times 32 \text{mm}</math></p>
<p>Three in one bolts(22pcs)      Three in one lock(22pcs)      Round head screw(24pcs)</p>		
<p><b>G</b></p> 	<p><b>H</b></p> 	<p><b>I</b></p>  <p><math>\varnothing 5/32" \times 15 \text{mm}</math></p>
<p>Handle(2pcs)      Handle(5pcs)      Handle screw(4pcs)</p>		
<p><b>J</b></p>  <p><math>\varnothing 5/32" \times 25 \text{mm}</math></p>	<p><b>K</b></p> 	<p><b>L</b></p>  <p><math>\varnothing 7 \times \varnothing 3.5 \times 15 \text{mm}</math></p>
<p>Handle screw(8pcs)      Damping hinge (4pcs)      Flat head screw(24pcs)</p>		
<p><b>M</b></p>  <p><math>\varnothing 300 \times 35 \text{mm}</math></p>	<p><b>N</b></p>  <p><math>\varnothing 298 \times 18 \text{mm}</math></p>	<p><b>O</b></p>  <p><math>\varnothing 6 \times \varnothing 3 \times 12 \text{mm}</math></p>
<p>Slide rails (6pcs)      Slide rails (6pcs)      Flat head screw(36pcs)</p>		
<p><b>P</b></p>  <p><math>\varnothing 8 \times 30 \text{mm}</math></p>	<p><b>Q</b></p>  <p><math>\varnothing 8 \times \varnothing 4 \times 25 \text{mm}</math></p>	<p><b>R</b></p>  <p>4mm</p>
<p>Wood dowel(24pcs)      Round head screw(4pcs)      Allen key(1pc)</p>		
<p><b>S</b></p>  <p>Anti fall hardware(1set)</p>		

**STEP: 1**



**D**

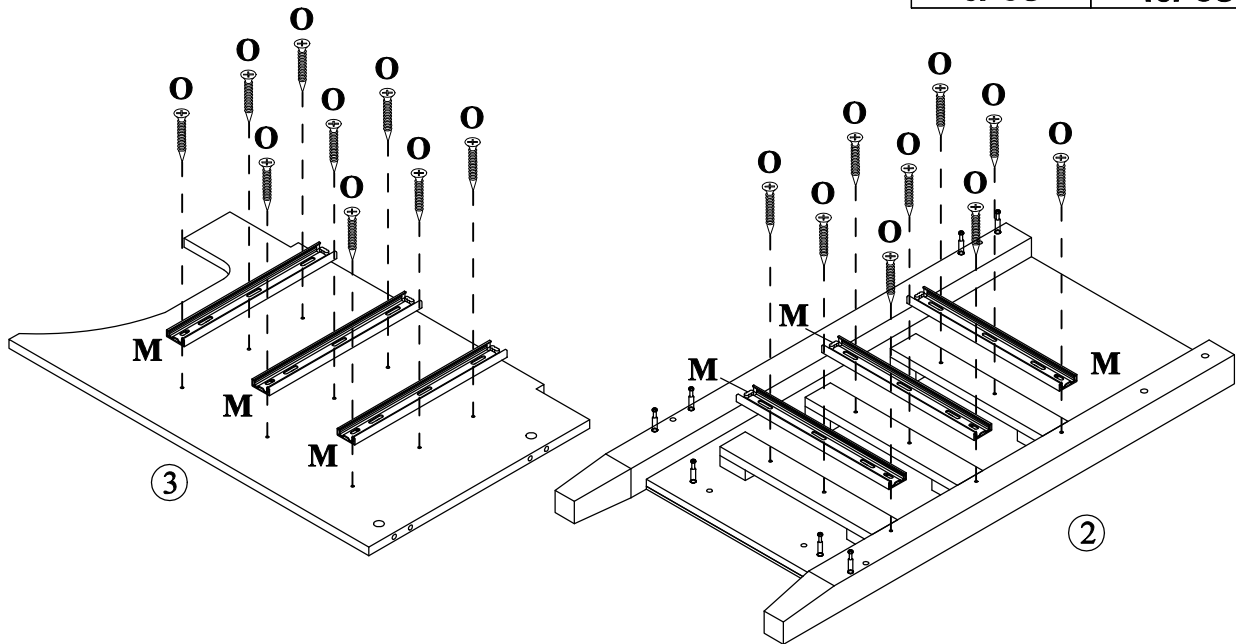


**22PCS**





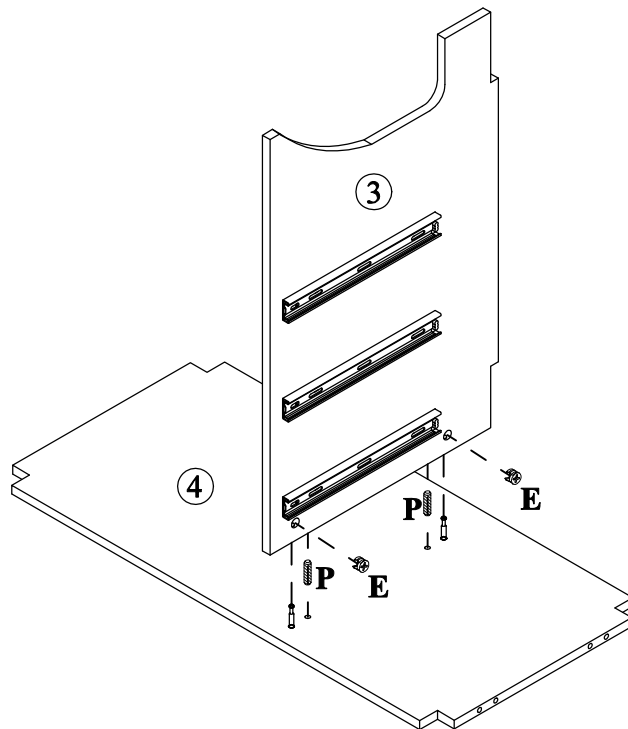
### STEP: 2

<b>M</b>		<b>O</b>	
	<b>6PCS</b>		<b>18PCS</b>

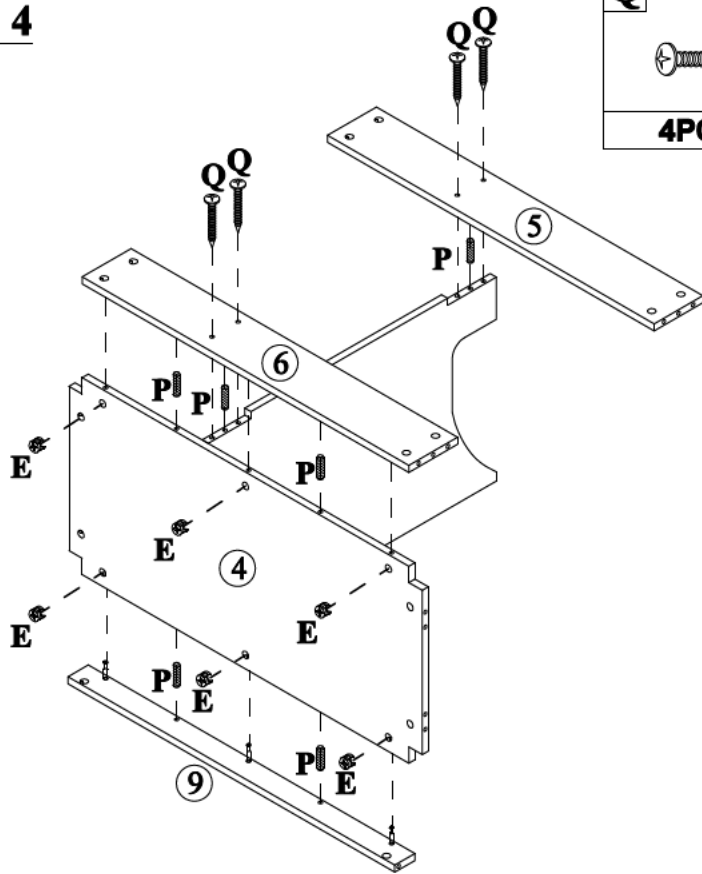





### STEP: 3

<b>E</b>		<b>P</b>	
	<b>2PCS</b>		<b>2PCS</b>

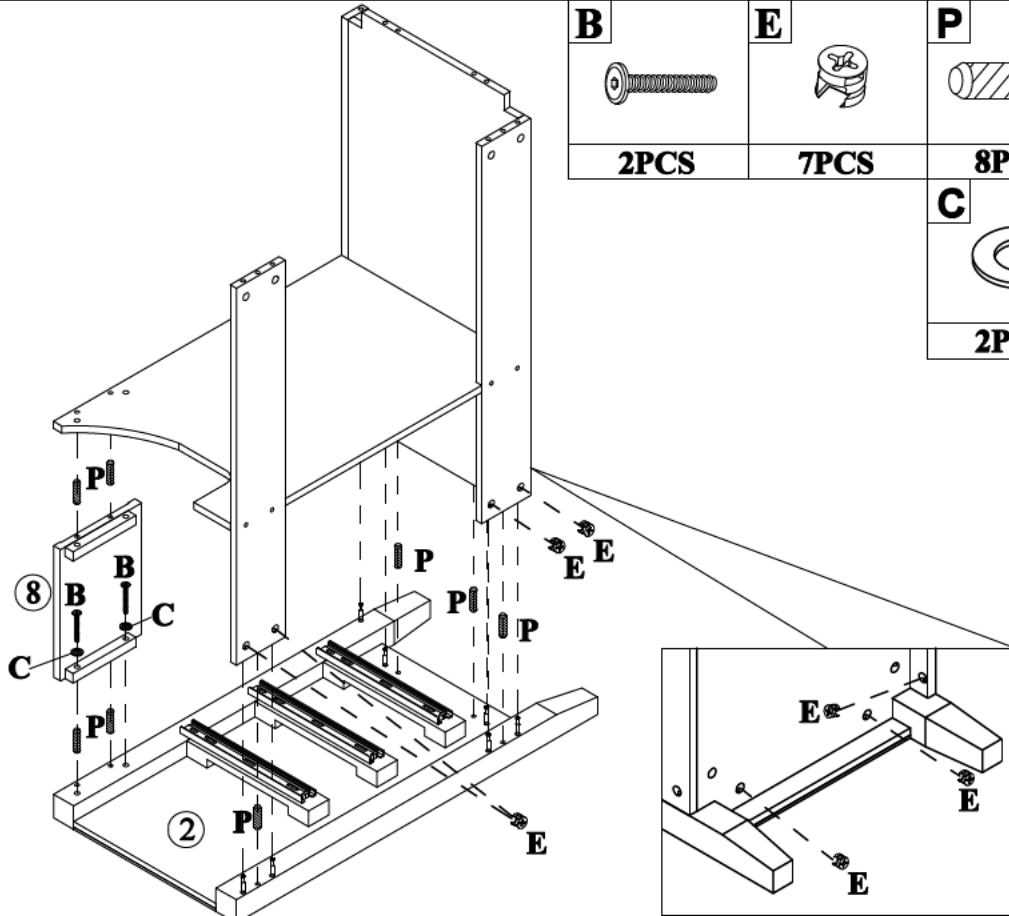





**STEP: 4**




Q	E	P
		
<b>4PCS</b>	<b>6PCS</b>	<b>6PCS</b>

**STEP: 5**

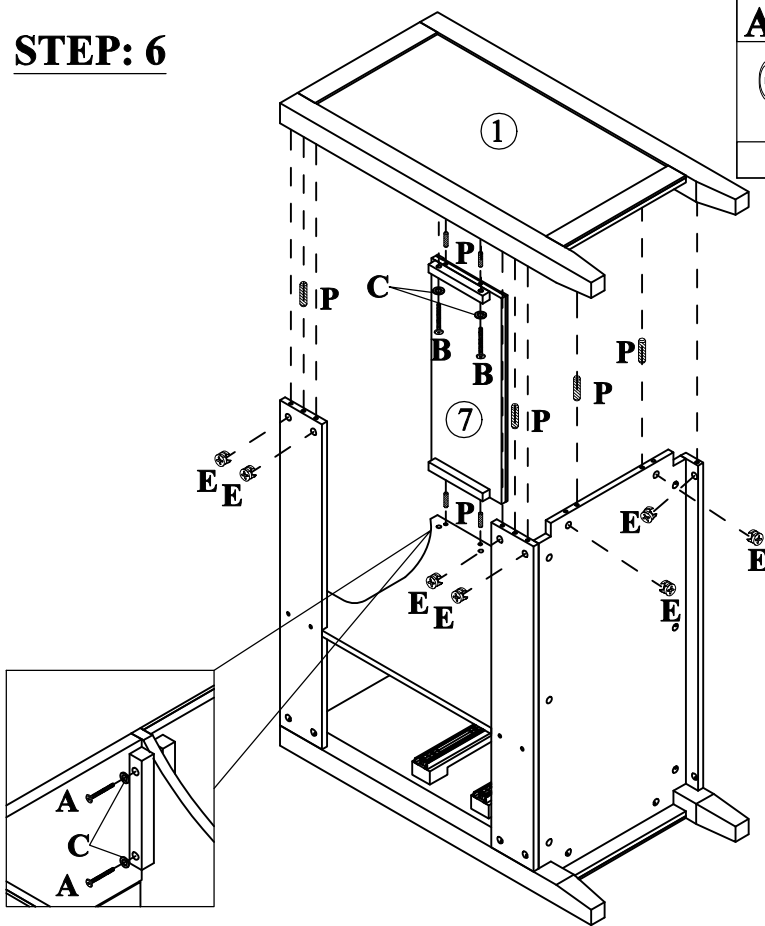




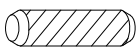
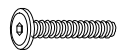

B	E	P
		
<b>2PCS</b>	<b>7PCS</b>	<b>8PCS</b>

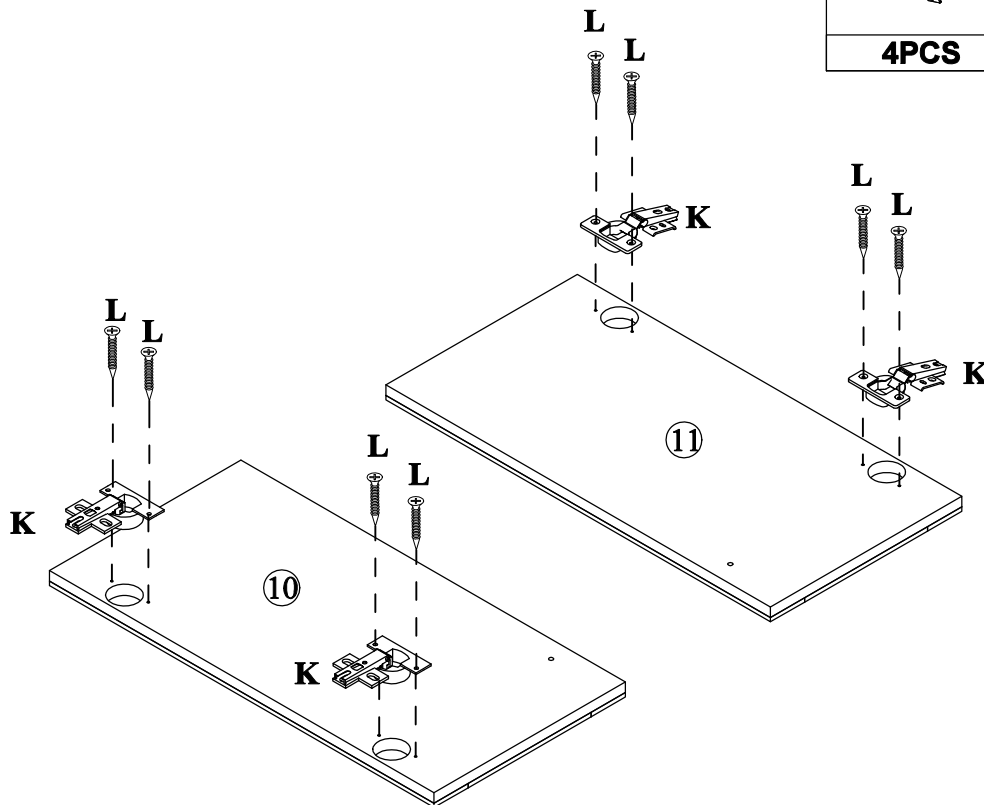
C

<b>2PCS</b>



**STEP: 6**





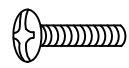
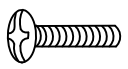

<b>A</b> 	<b>E</b> 	<b>P</b> 
<b>2PCS</b>	<b>7PCS</b>	<b>8PCS</b>
<b>B</b> 	<b>C</b> 	
<b>2PCS</b>	<b>4PCS</b>	

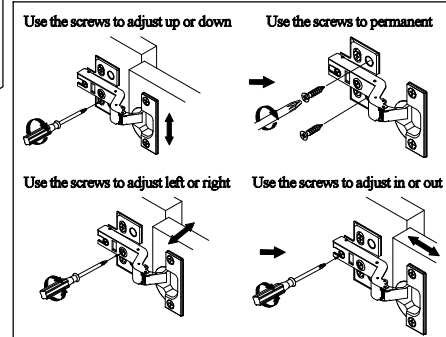
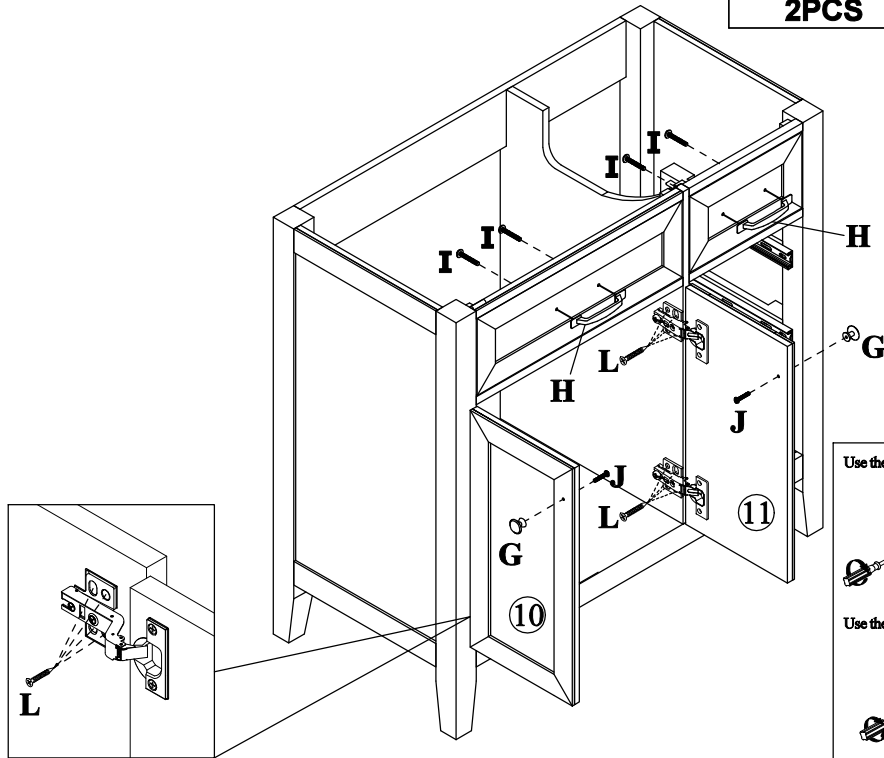
**STEP: 7**




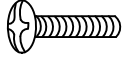
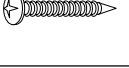
<b>K</b> 	<b>L</b> 
<b>4PCS</b>	<b>8PCS</b>

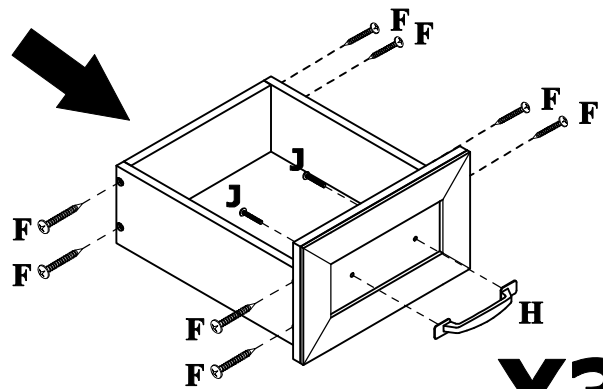
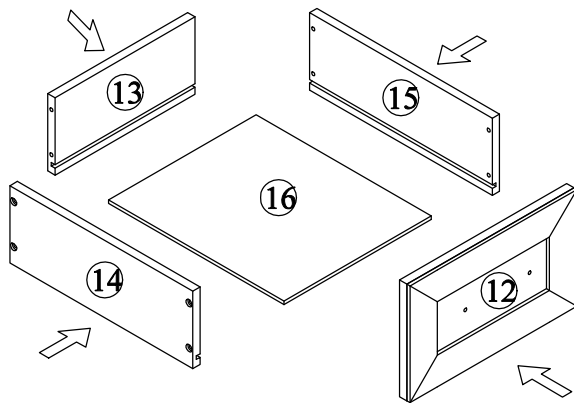
# STEP: 8

<b>H</b> 	<b>G</b> 	<b>I</b> 
<b>2PCS</b>	<b>2PCS</b>	<b>4PCS</b>
	<b>J</b> 	<b>L</b> 
	<b>2PCS</b>	<b>16PCS</b>



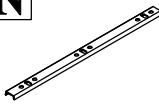

# STEP: 9

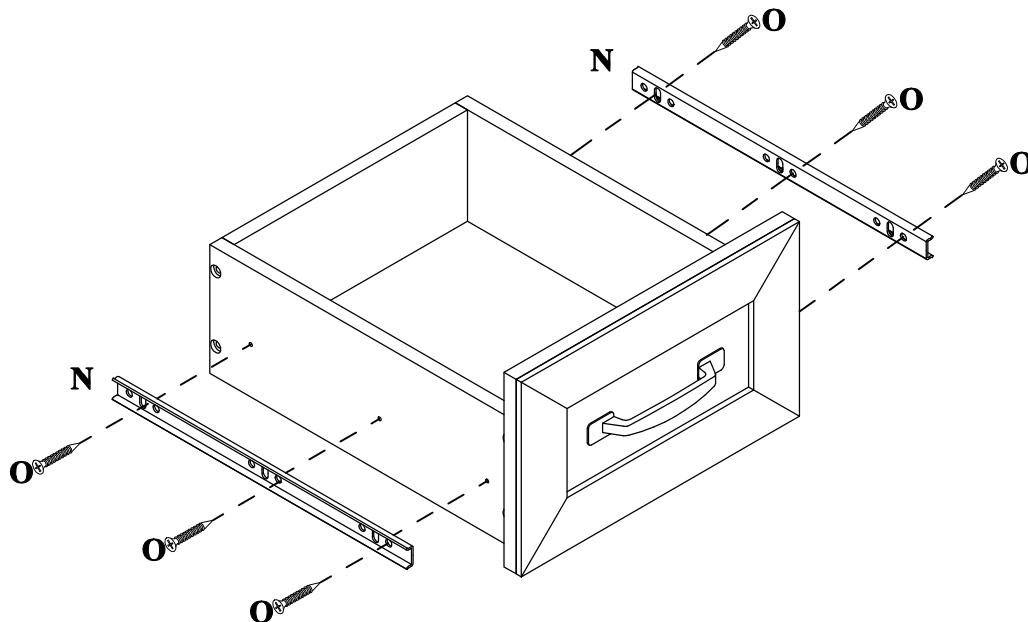
<b>H</b> 	<b>J</b> 	<b>F</b> 
<b>3PCS</b>	<b>6PCS</b>	<b>24PCS</b>



**X3**

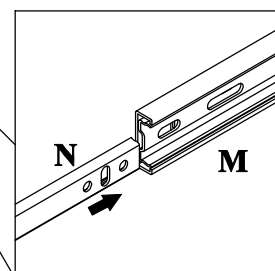
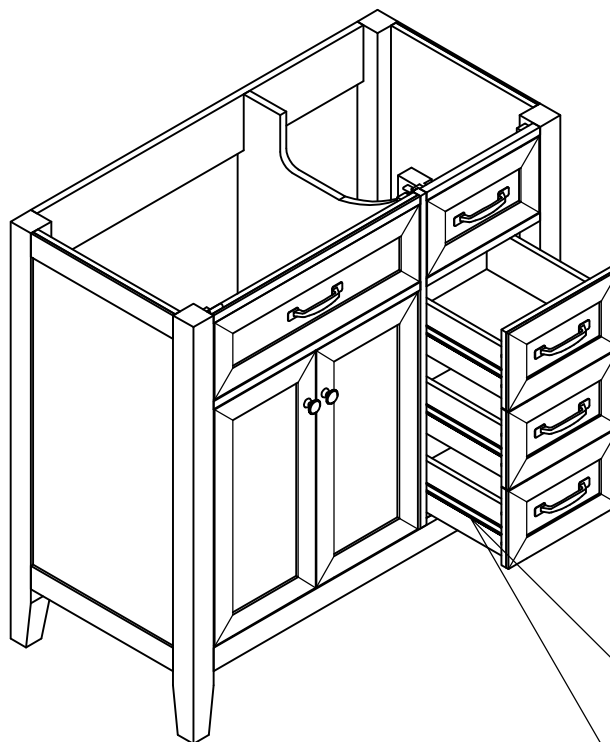
**STEP: 10**

<b>N</b>		<b>O</b>	
<b>6PCS</b>		<b>18PCS</b>	



**X3**

**STEP: 11**



**STEP: 12**

