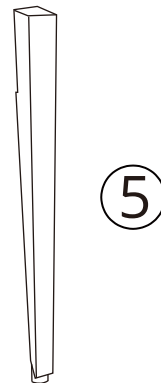
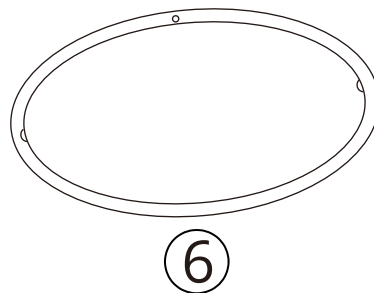
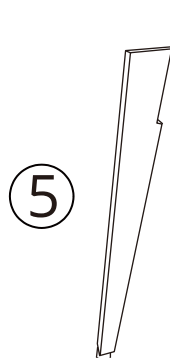
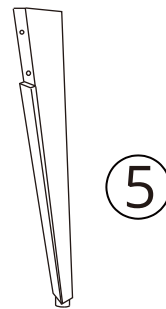
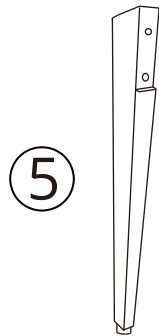
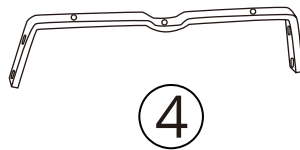
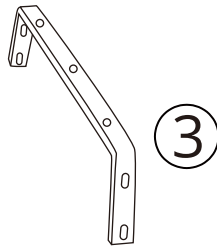
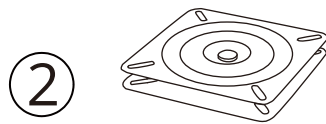
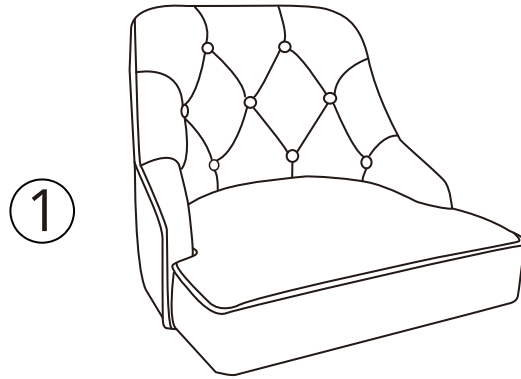
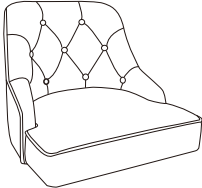
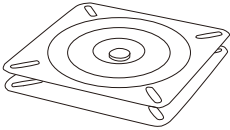
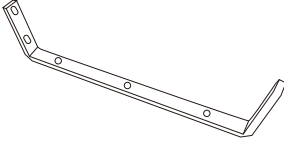
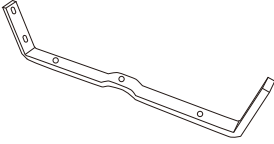

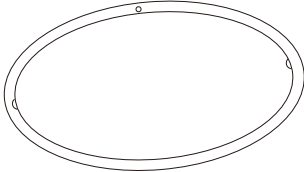


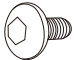
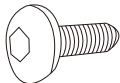
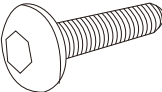
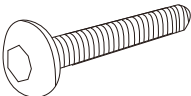


# Components



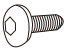

## Parts List


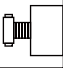
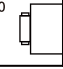
<p>① x1pc Seat</p> 	<p>② x1pc Swivel plate</p> 	<p>③ x1pc Iron Frame</p> 	<p>④ x1pc Iron Frame</p> 
<p>⑤ x4pcs Legs</p> 	<p>⑥ x1pc Footrest</p> 		

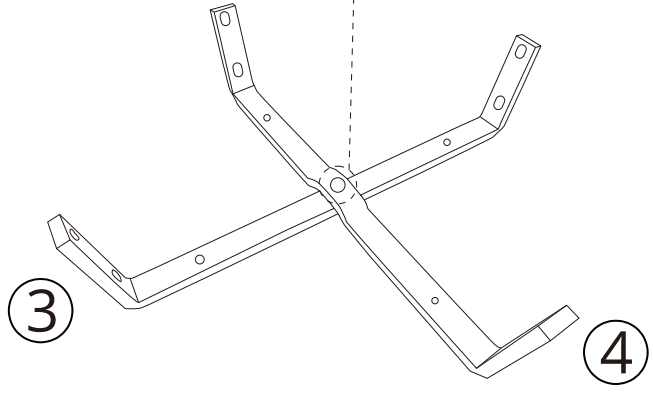
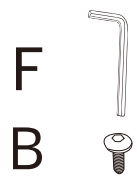
## Hardware List

<p>Ax4+1pcs Bolts</p>  <p>M6*14mm</p>	<p>Bx1+1pcs Bolts</p>  <p>M6*20mm</p>	<p>Cx12+1pcs Bolts</p>  <p>M6*25mm</p>	<p>Dx4+1pcs Bolts</p>  <p>M6*35mm</p>
<p>Ex4+1pcs Flat Washer</p>  <p>6*14mm</p>	<p>Fx1 Allen Wrench</p>  <p>M6</p>		

**STEP1**


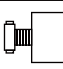
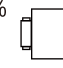
<b>B</b>		<b>x1</b>
<b>F</b>		<b>x1</b>

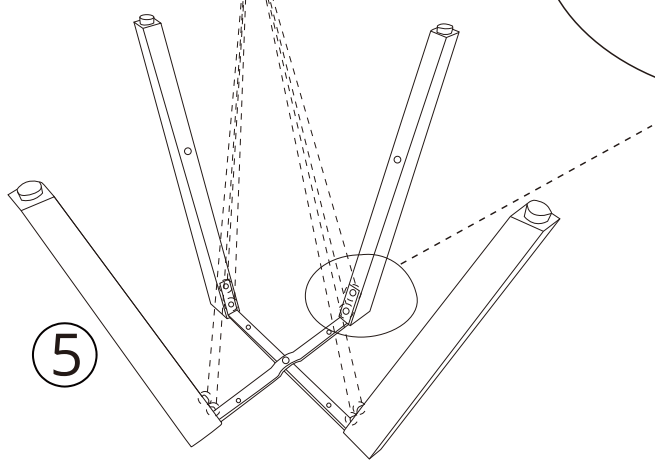
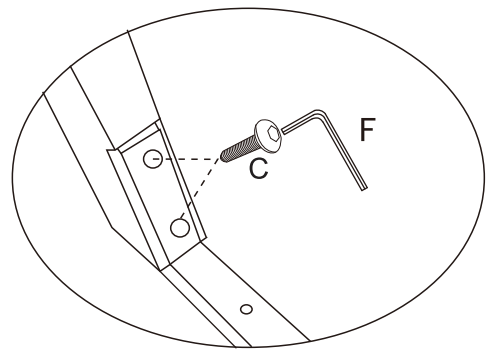
 80%	80%		✓
	100%		✗






**STEP2**

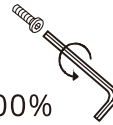


<b>C</b>		<b>x8</b>
<b>F</b>		<b>x1</b>

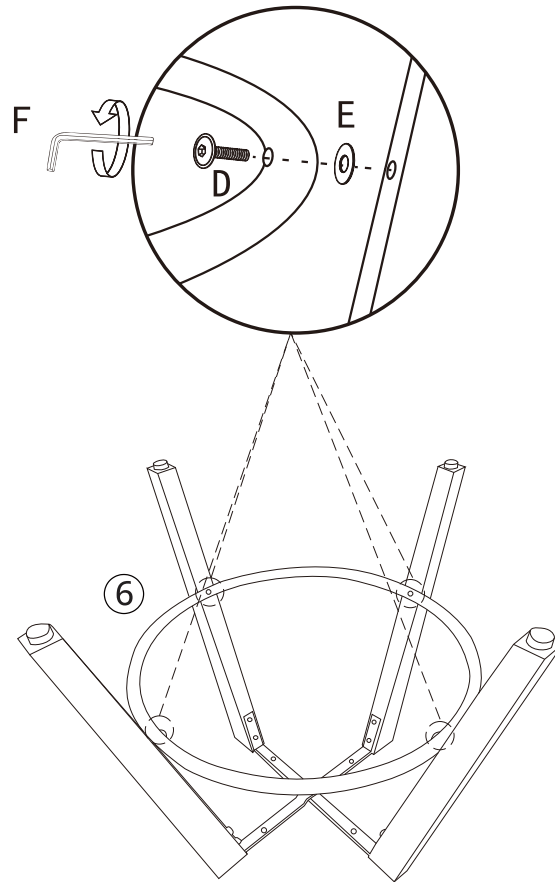
 80%	80%		✓
	100%		✗





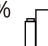
### STEP3

D		x4
E		x4
F		x1

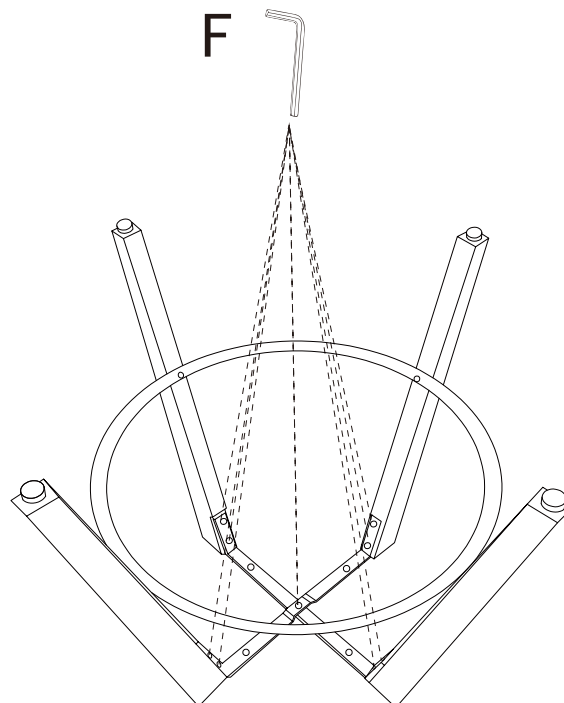
	80%		✗
100%	100%		✓



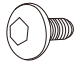

### STEP4





	80%		✗
100%	100%		✓

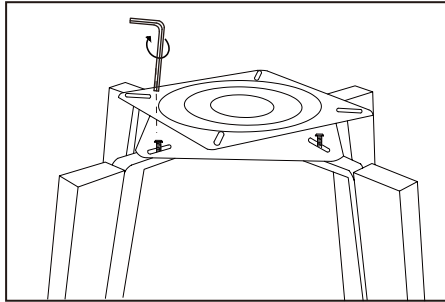
Remark: Tighten the bolts B and C on the legs and frames from 80% to 100%.



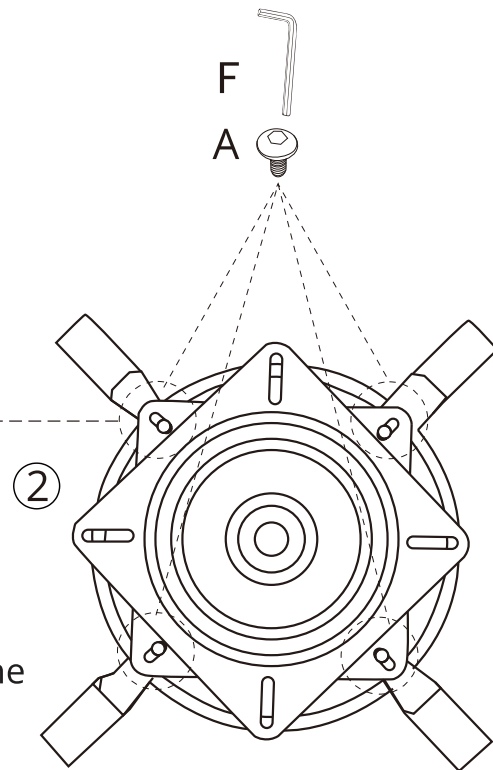
## STEP 5

A		x4
F		x1

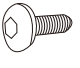

	80%		✗
	100%		✓







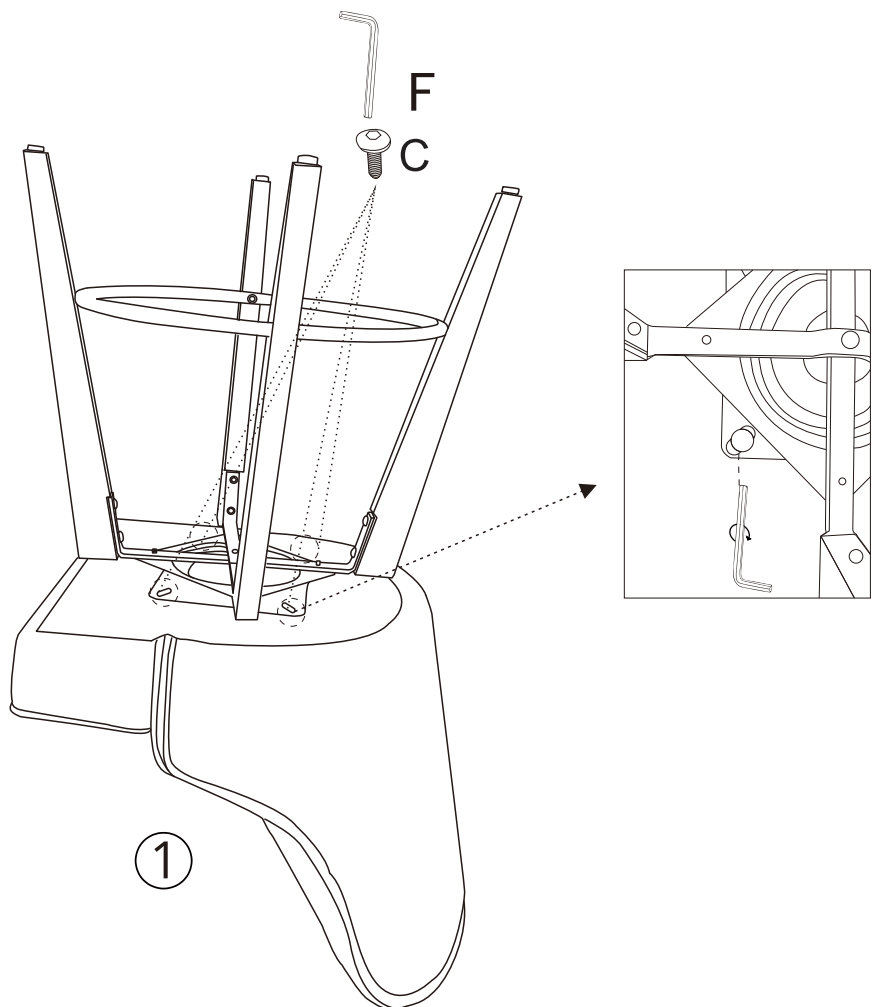
Rotate the Swivel plate until the the 8 holes are fully exposed for easier installation.



## STEP 6

C		x4
F		x1

	80%		✗
	100%		✓



FINISHED

Please ensure that any screws which were not fully tightened in the previous steps are properly secured.

Adjust the leveling feet for balance.

