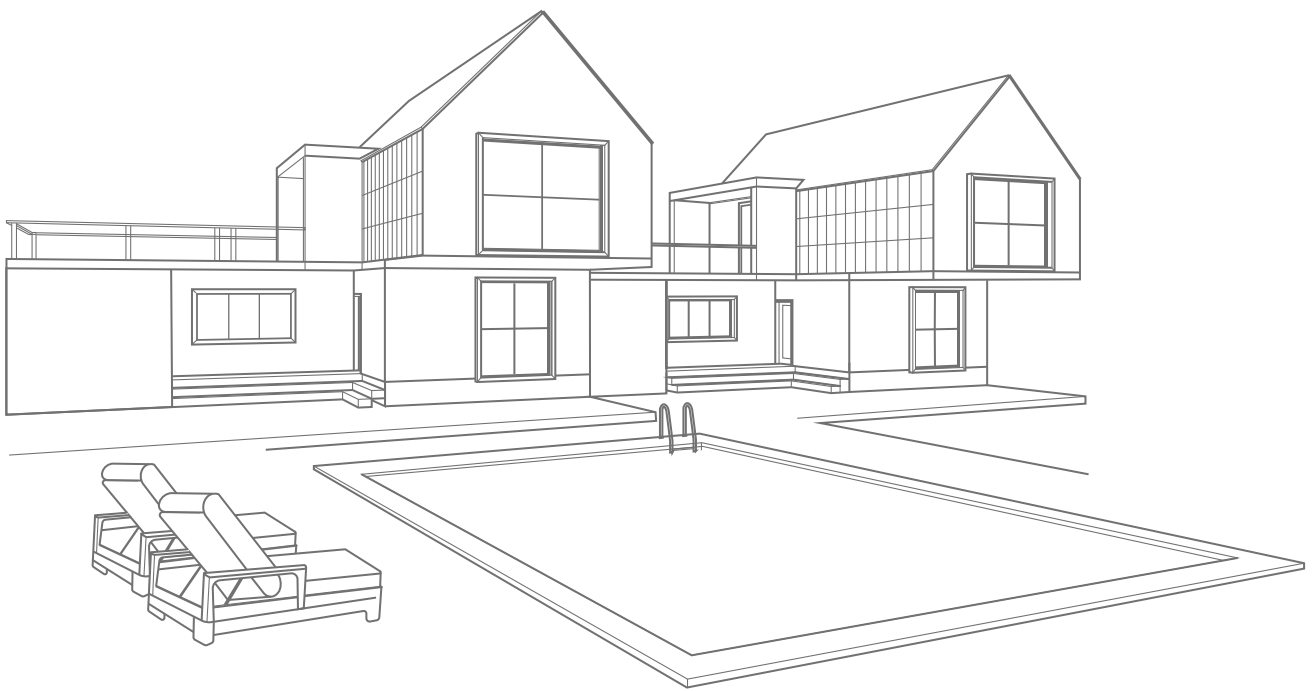
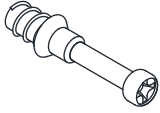



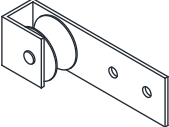
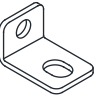
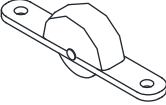
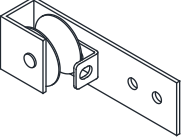
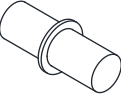
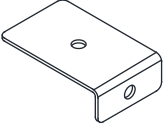
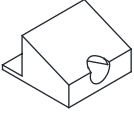




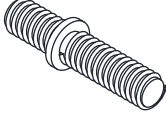
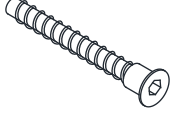
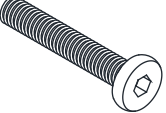
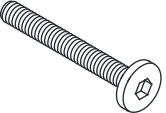
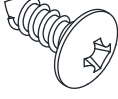
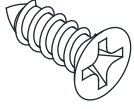
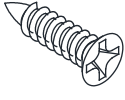



Coffee Hutch Cabinet

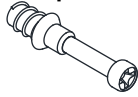


Please check that you have all the parts listed below

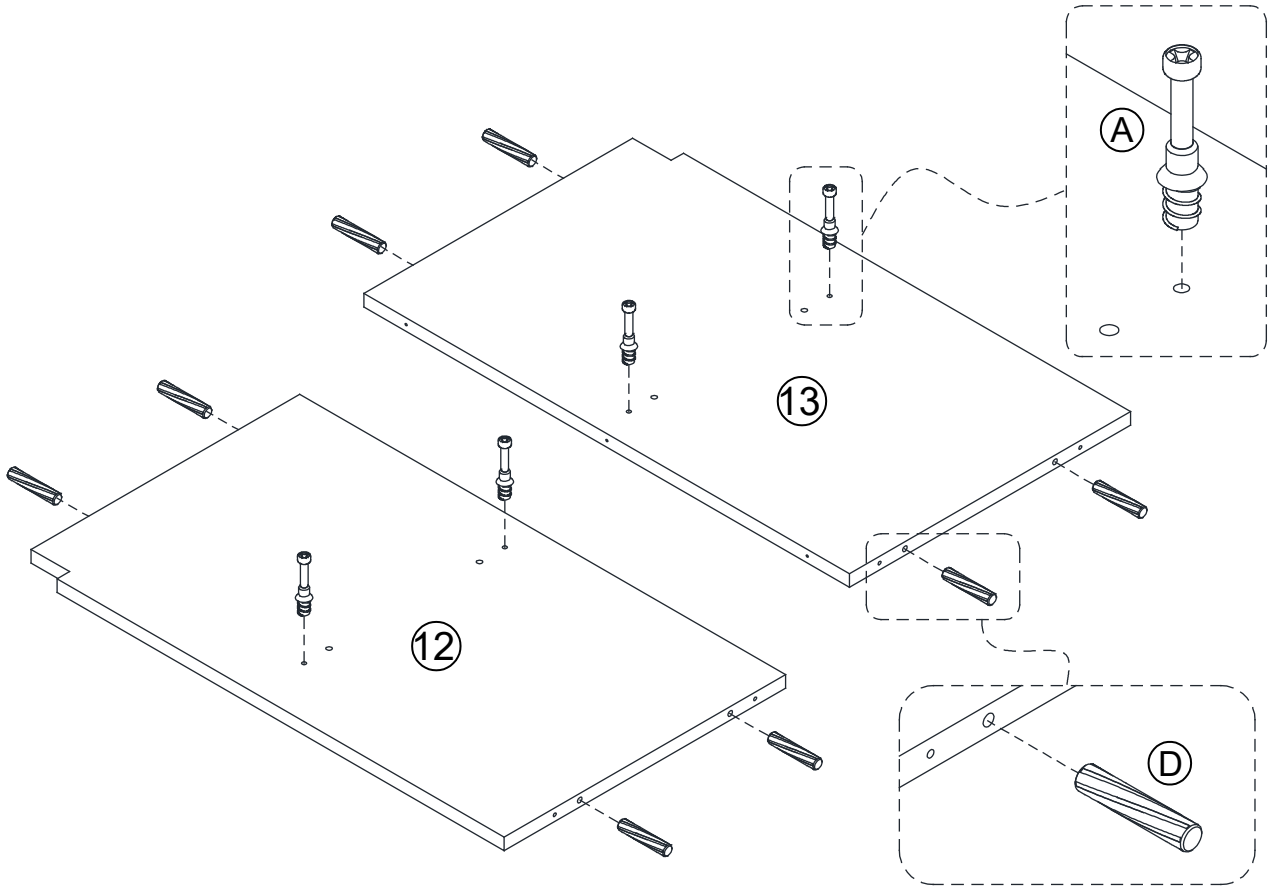
<p>Ⓐ x 52pcs</p>  <p>M6*32mm</p>	<p>Ⓑ x 52pcs</p>  <p>Ø15*9mm</p>	<p>Ⓒ x 52pcs</p>  <p>Ø25mm</p>	<p>Ⓓ x 56pcs</p>  <p>Ø6*30mm</p>
<p>Ⓔ x 4pcs</p>  <p>96*30*22mm</p>	<p>Ⓕ x 4pcs</p>  <p>20*14*12mm</p>	<p>Ⓖ x 4pcs</p>  <p>56*19*9.5mm</p>	<p>Ⓗ x 2pcs</p>  <p>96*30*22mm</p>
<p>Ⓙ x 8pcs</p>  <p>Ø5*7.5+1+7.5mm</p>	<p>Ⓚ x 4pcs</p>  <p>56*36*16mm</p>	<p>Ⓛ x 24pcs</p>  <p>17.5*15.5*9mm</p>	<p>Ⓝ x 6pcs</p> 
<p>Ⓜ x 1pcs</p>  <p>M4*55mm</p>	<p>Ⓟ x 1pcs</p>  <p>M3*55mm</p>	<p>Ⓠ x 1pcs</p>  <p>M2.5*55mm</p>	<p>Ⓡ x 2pcs</p>  <p>M6*10+1+29mm</p>
<p>Ⓢ x 28pcs</p>  <p>M5*35mm</p>	<p>Ⓣ x 8pcs</p>  <p>M6*28mm</p>	<p>Ⓤ x 5pcs</p>  <p>M4*30mm</p>	<p>Ⓦ x 60pcs</p>  <p>M4*12mm</p>
<p>Ⓧ x 8pcs</p>  <p>M4*12mm</p>	<p>Ⓨ x 32pcs</p>  <p>M3*15mm</p>	<p>⑨6 x 2pcs</p> 	

1

Ⓐ x 4pcs

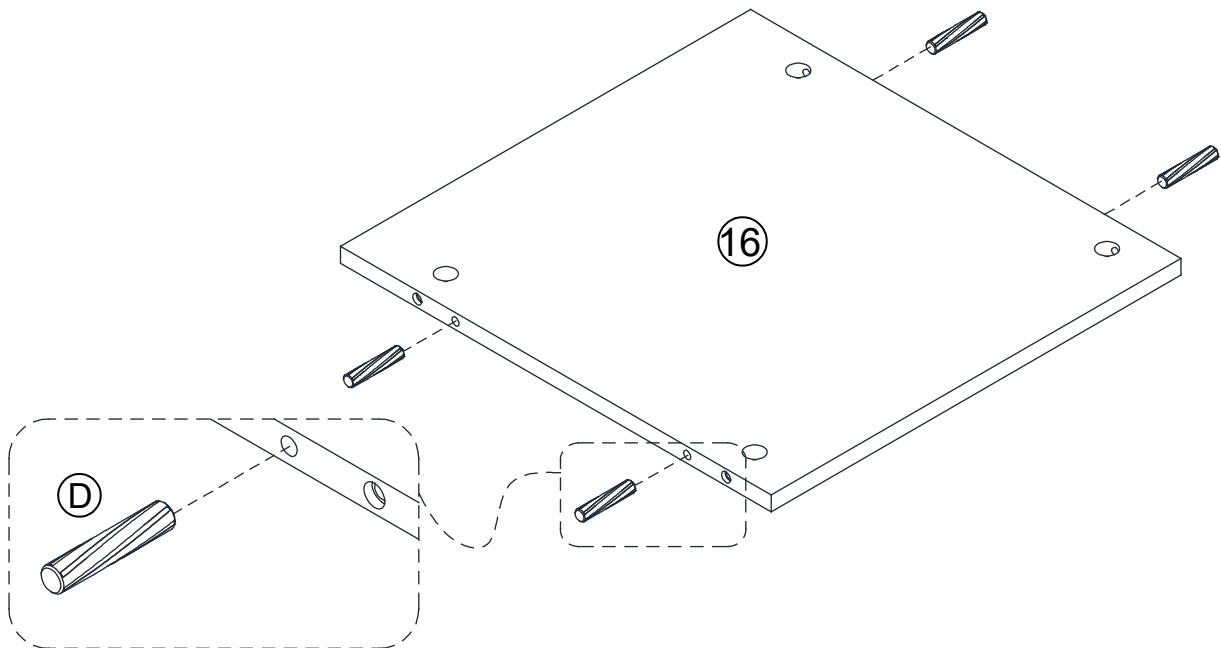


Ⓓ x 8pcs

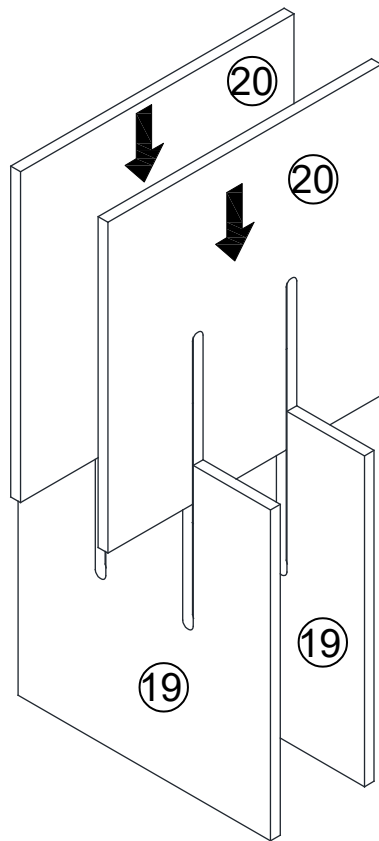


2

Ⓓ x 4pcs

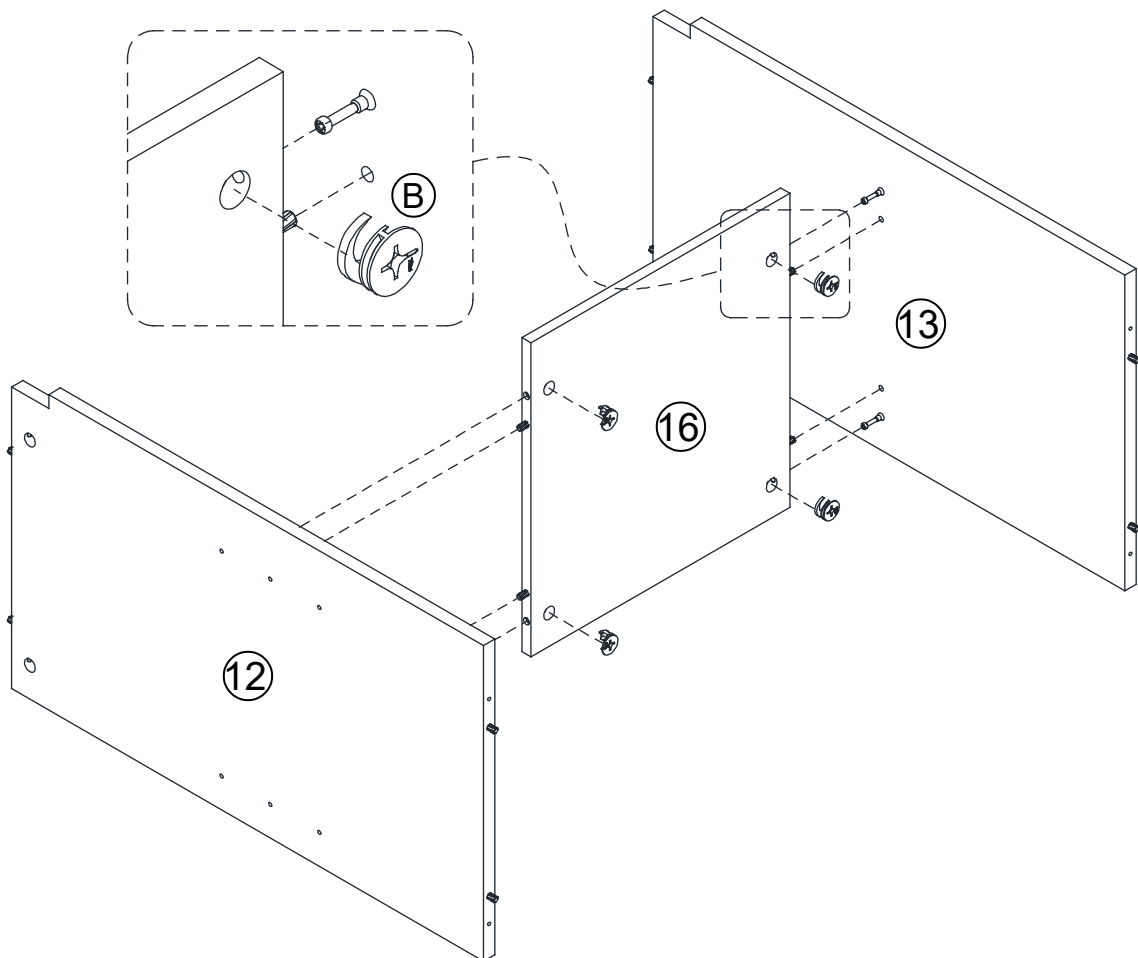
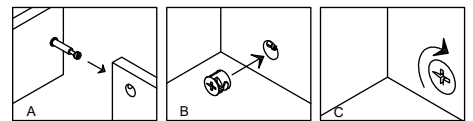


3



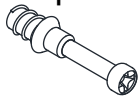
4

(B) x 4pcs

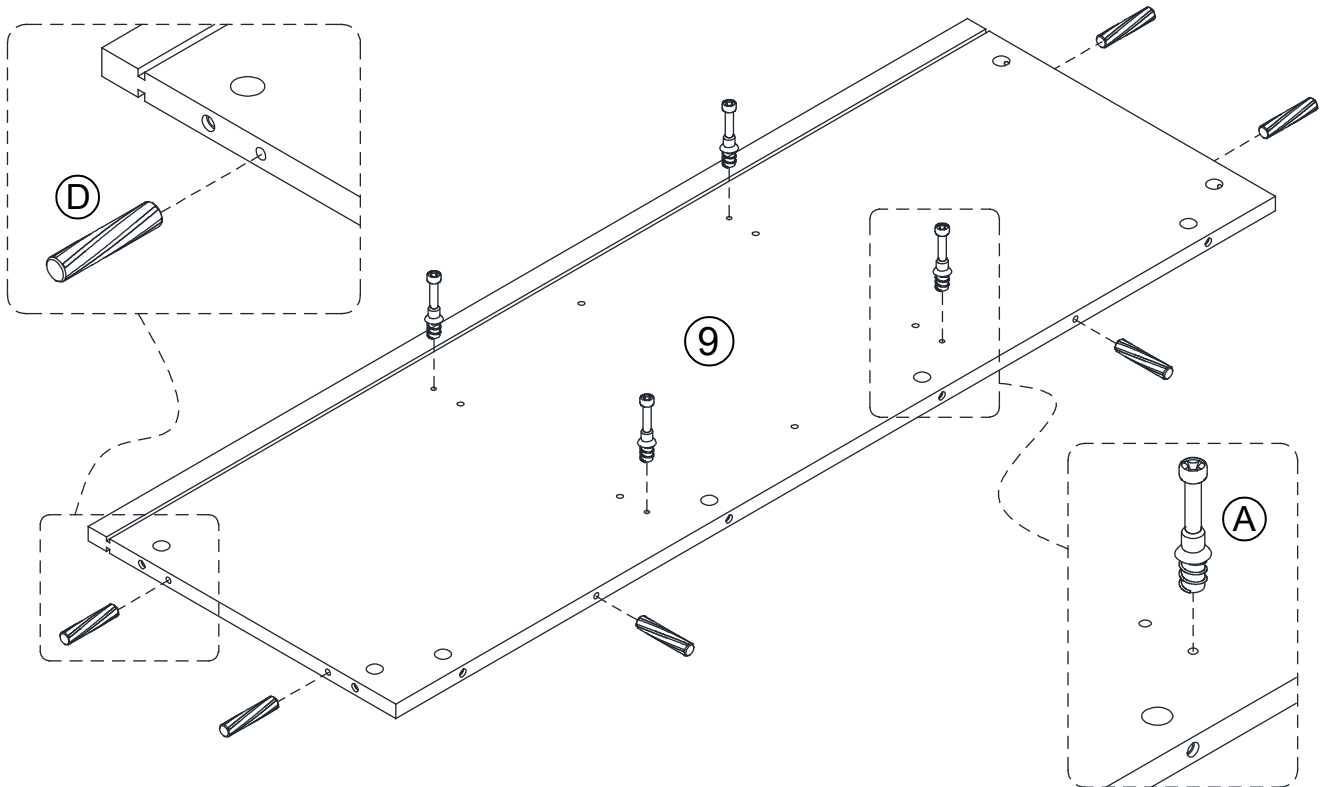


5

(A) x 4pcs



(D) x 6pcs

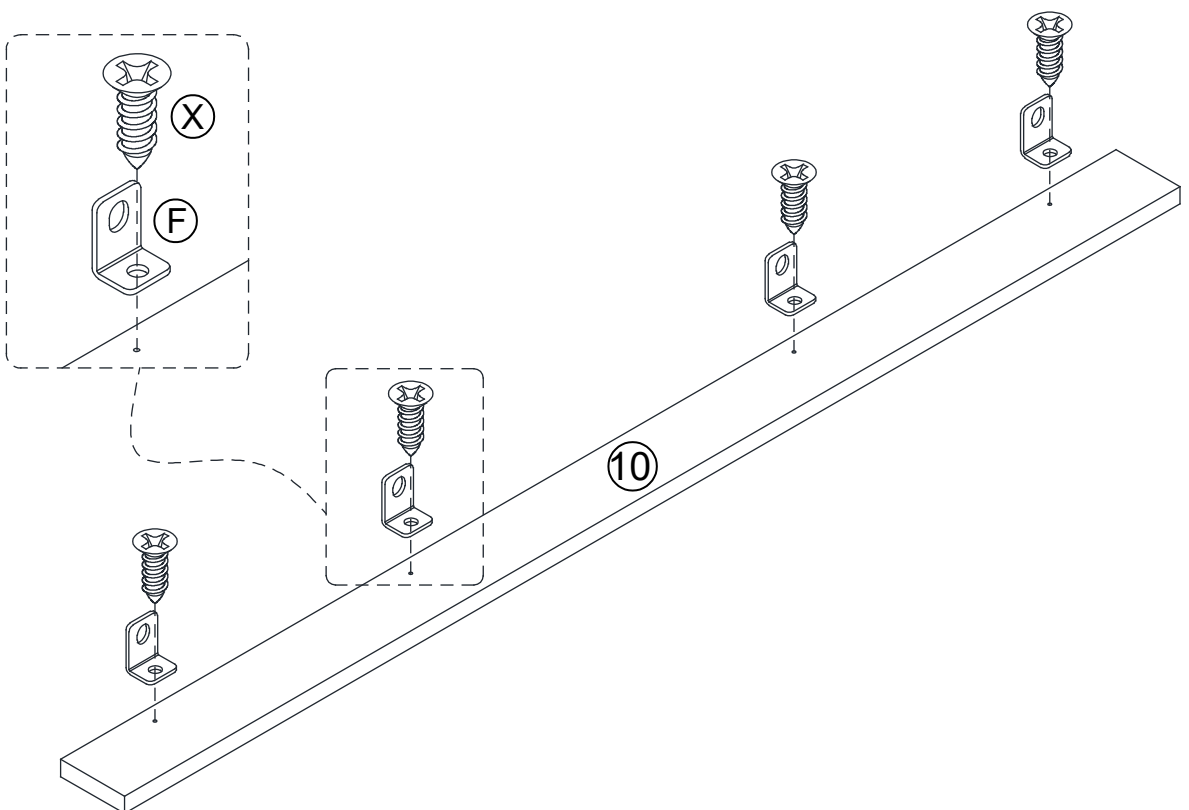
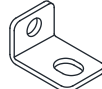


6

(X) x 4pcs

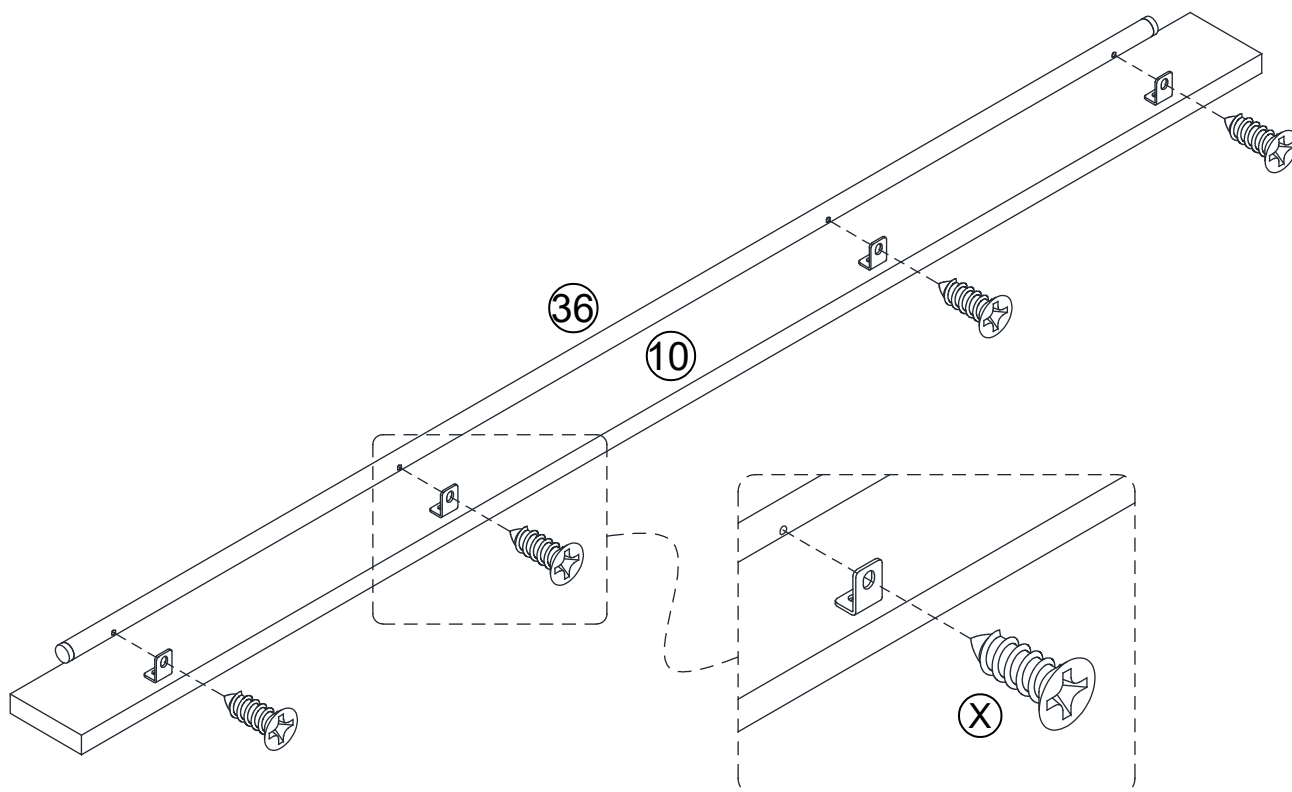


(F) x 4pcs



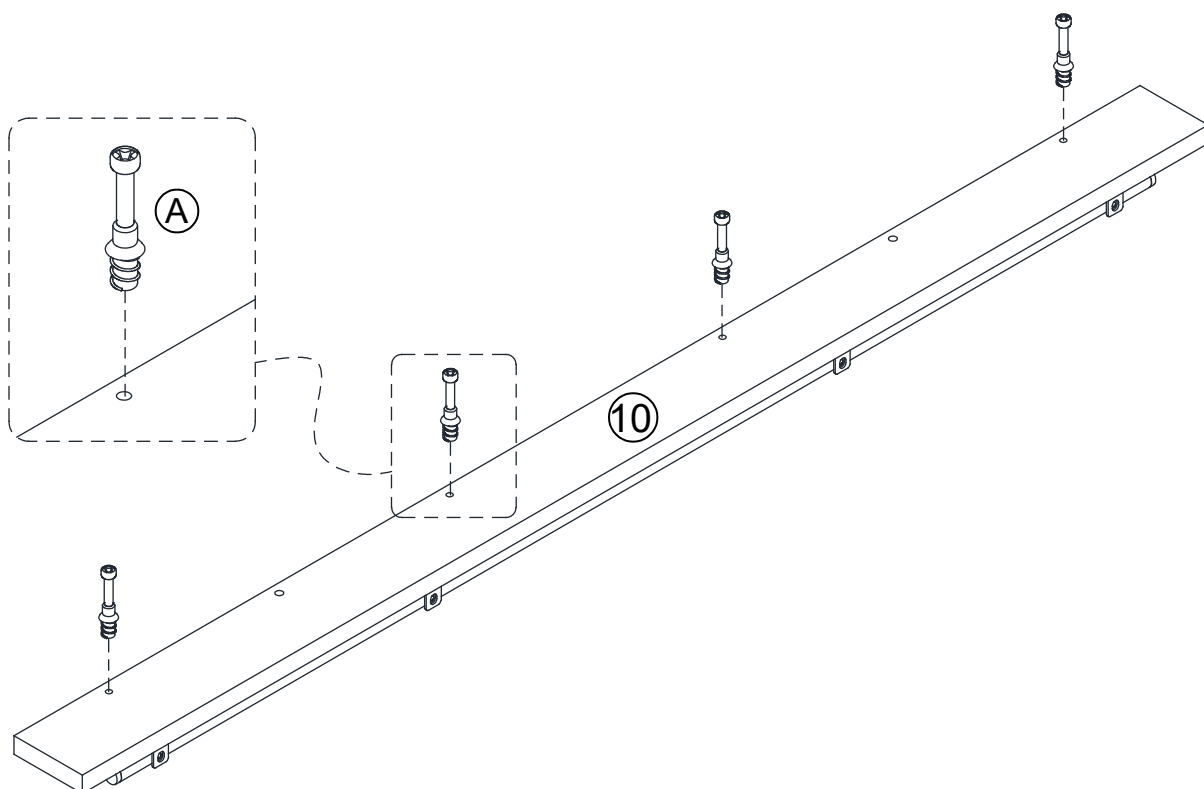
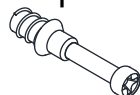
7

(X) x 4pcs



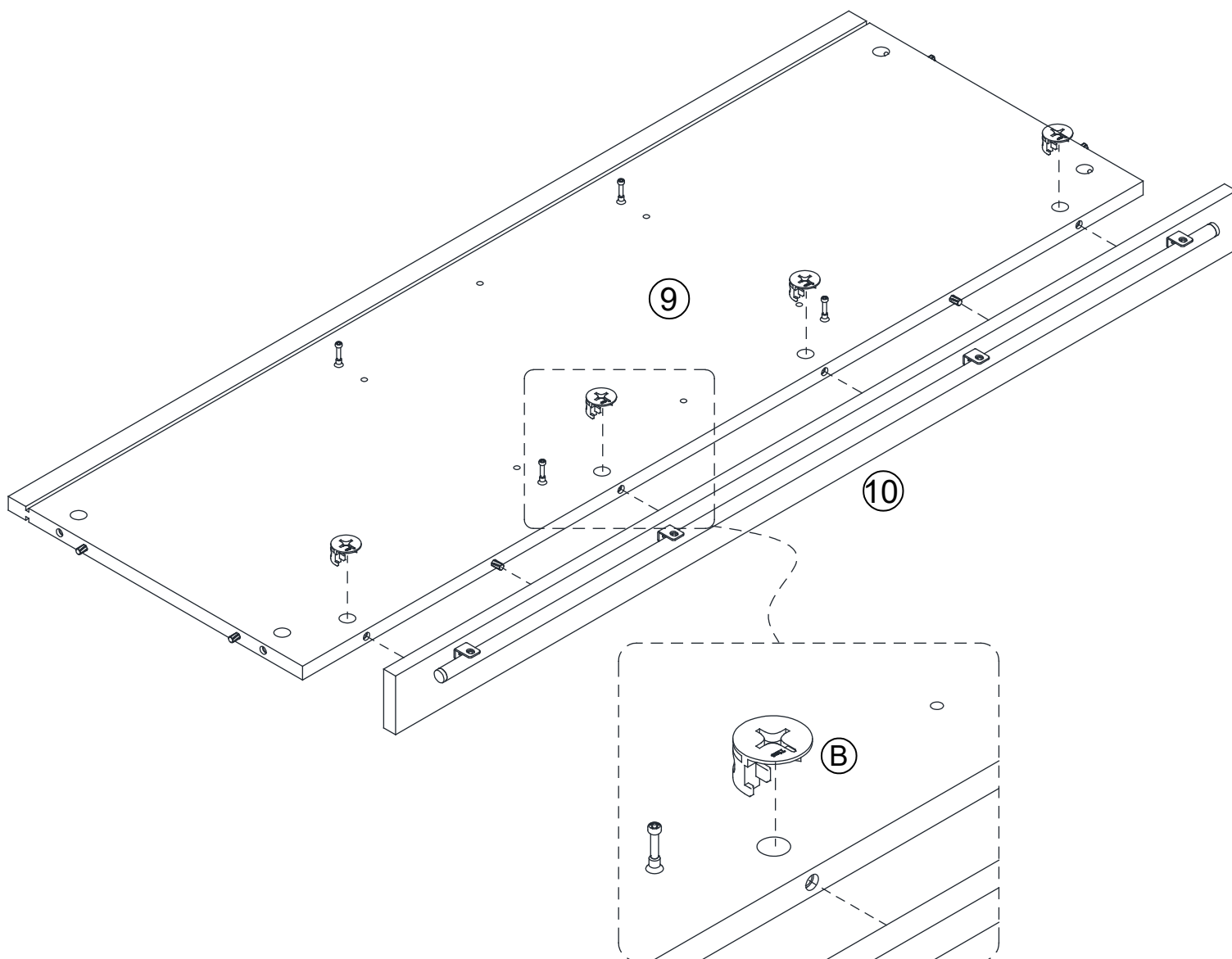
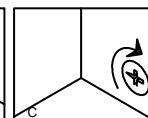
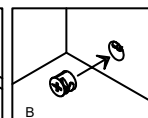
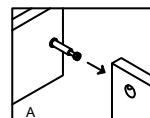
8

(A) x 4pcs



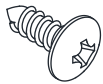
9

(B) x 4pcs

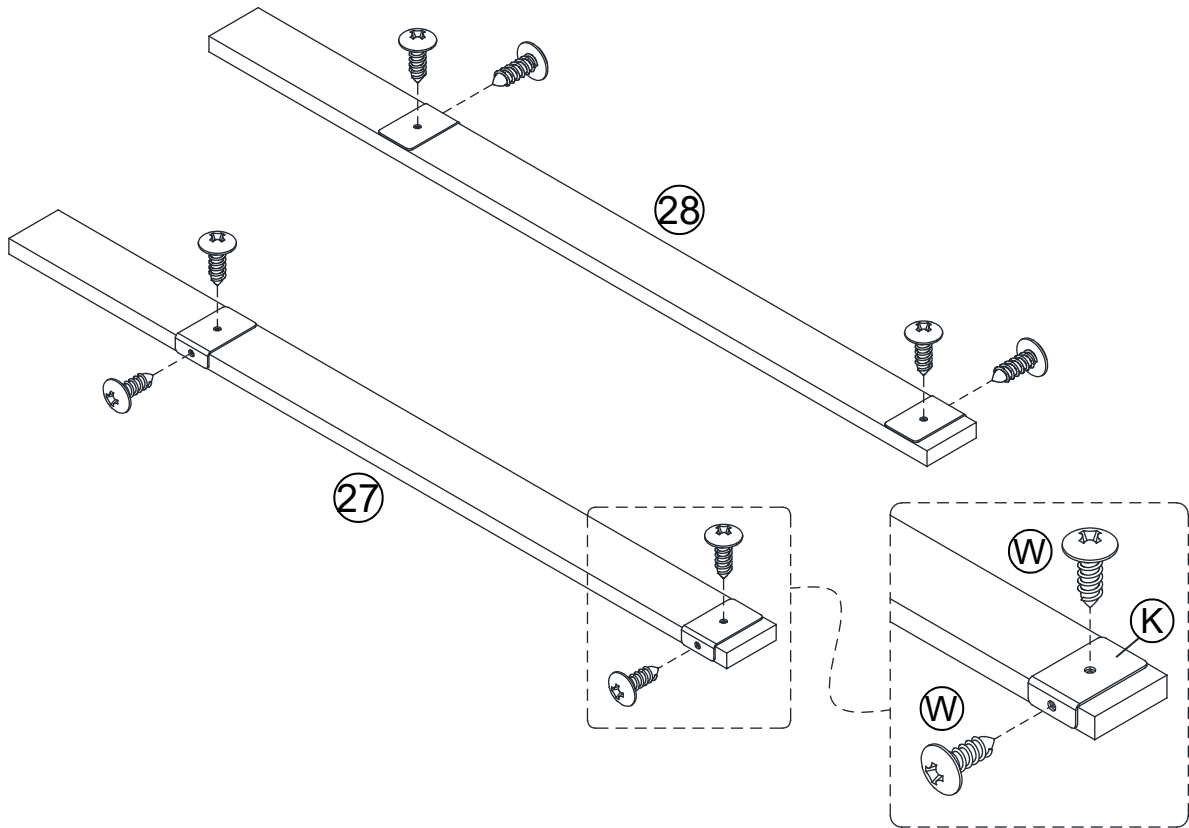
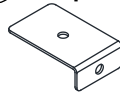


10

W x 8pcs

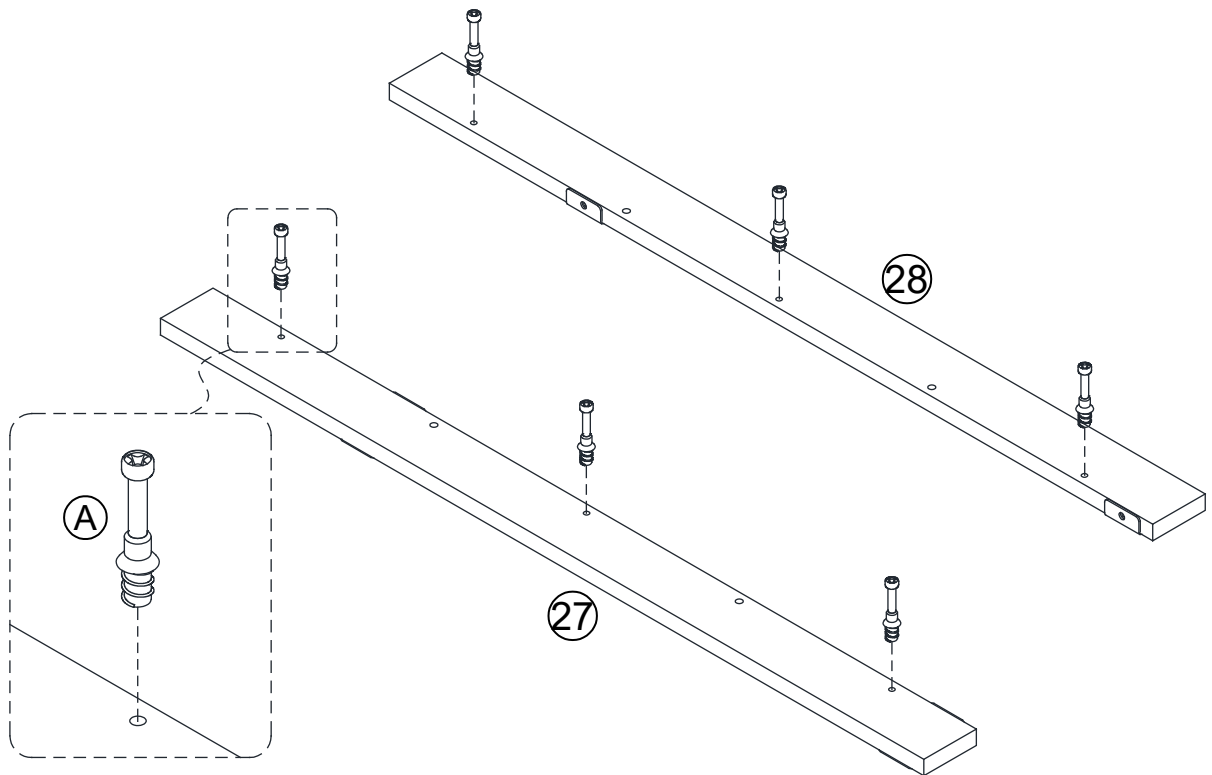
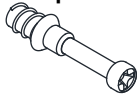


K x 4pcs



11

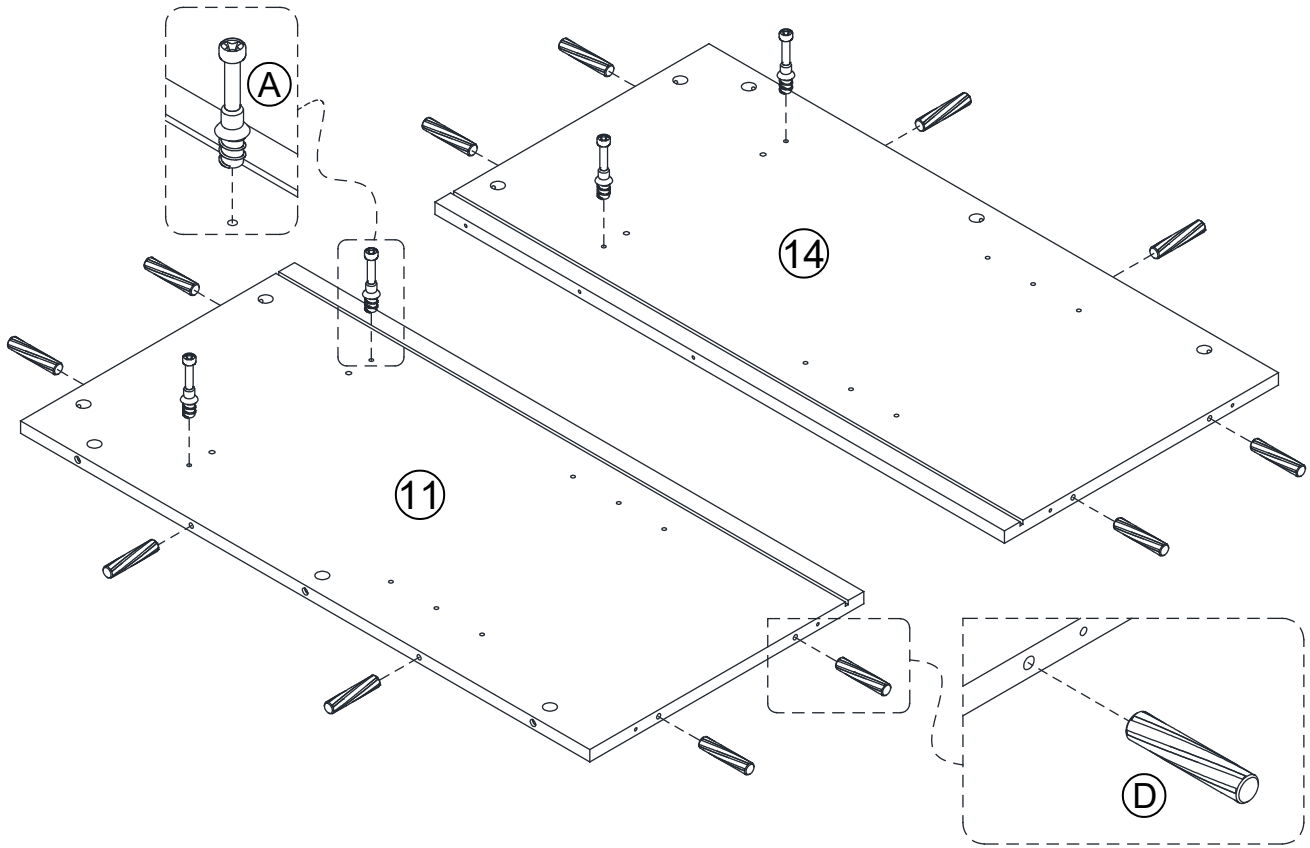
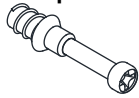
A x 6pcs



12

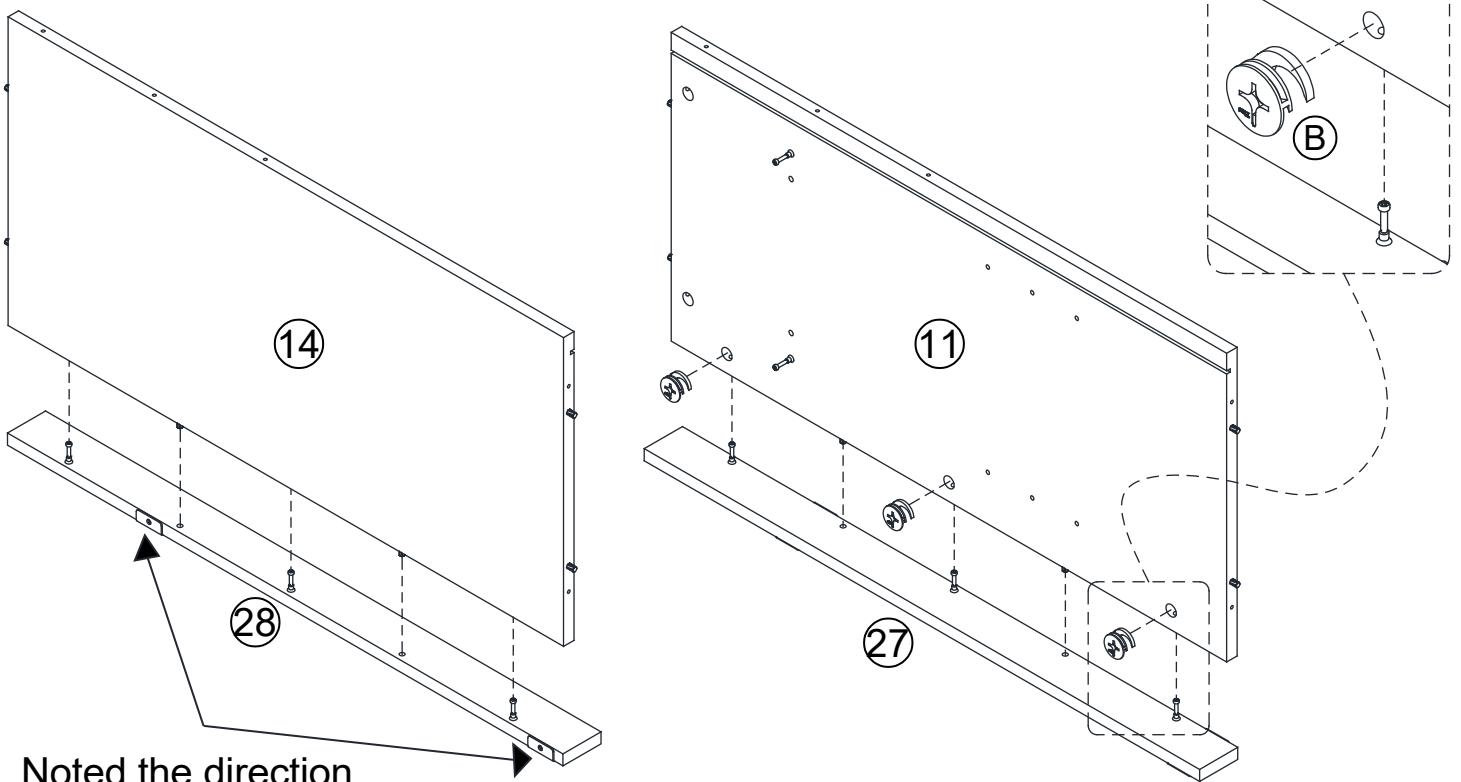
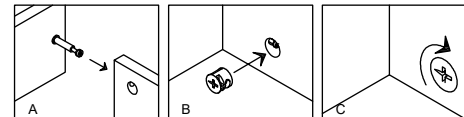
(A) x 4pcs

(D) x 12pcs



13

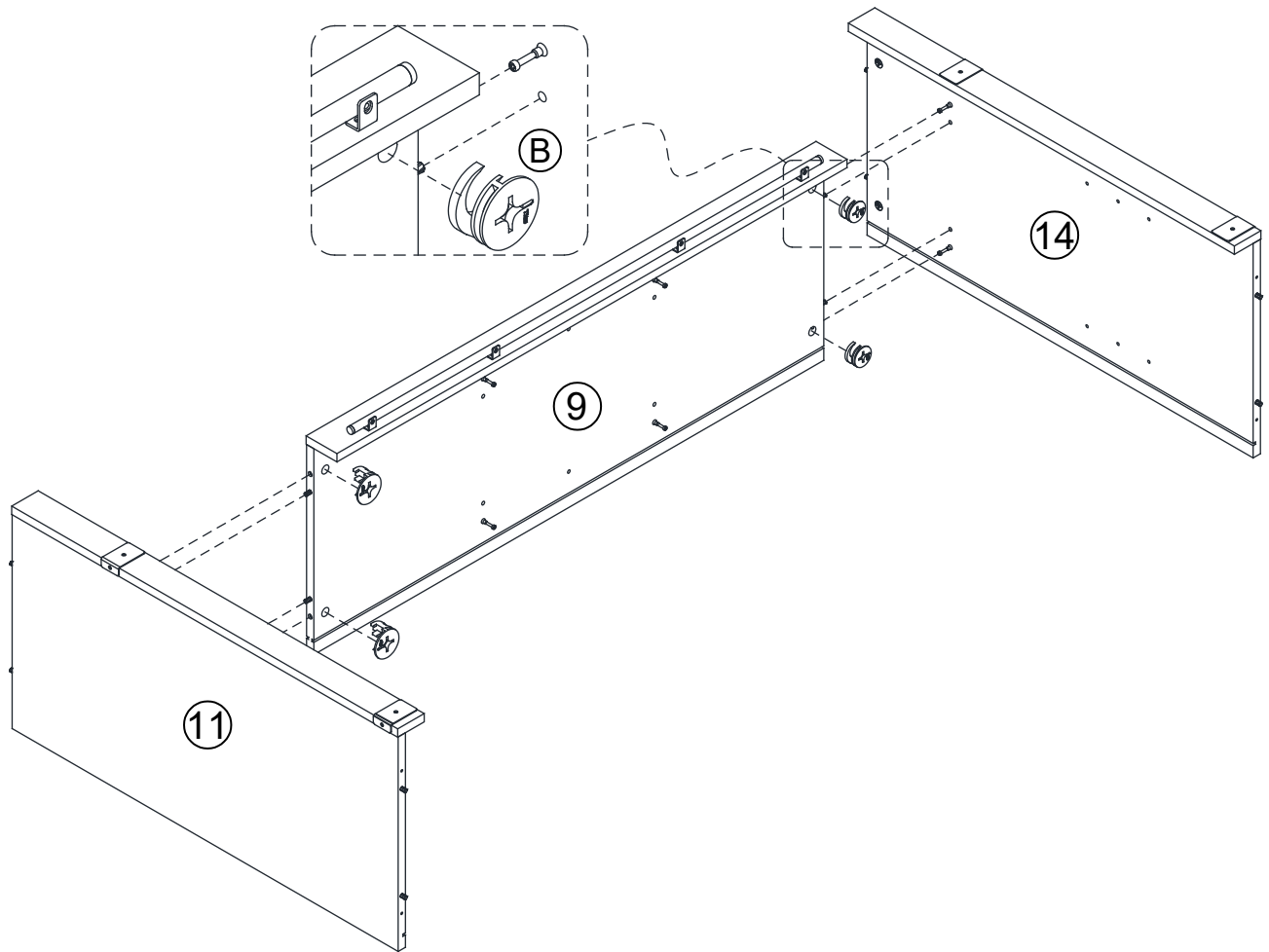
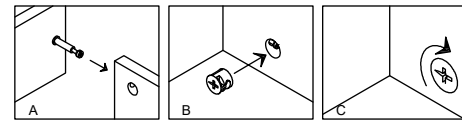
(B) x 6pcs



Noted the direction

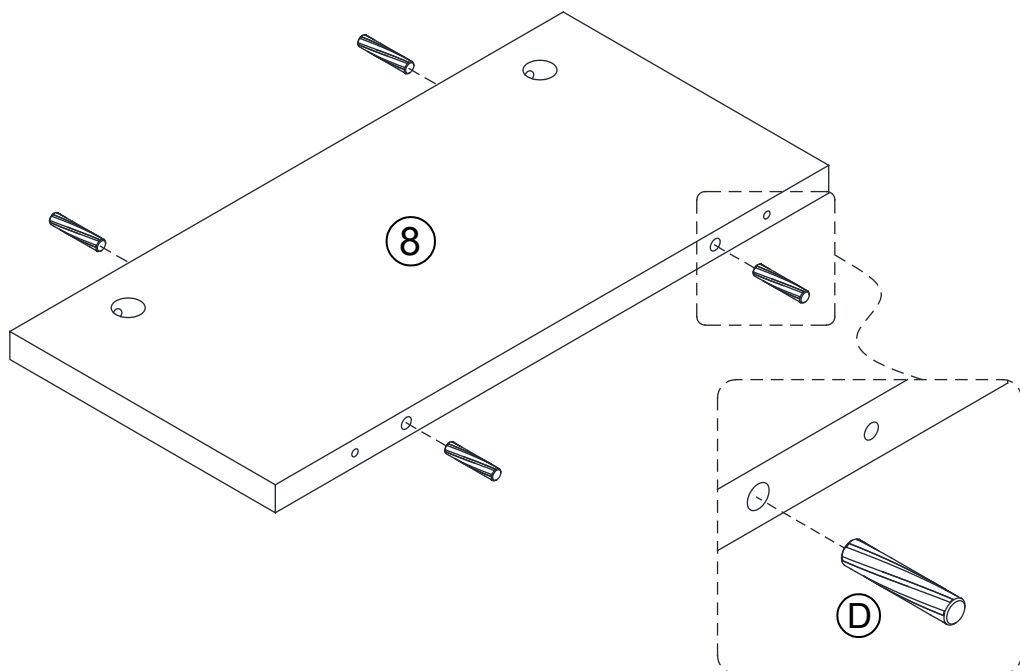
14

(B) x 4pcs



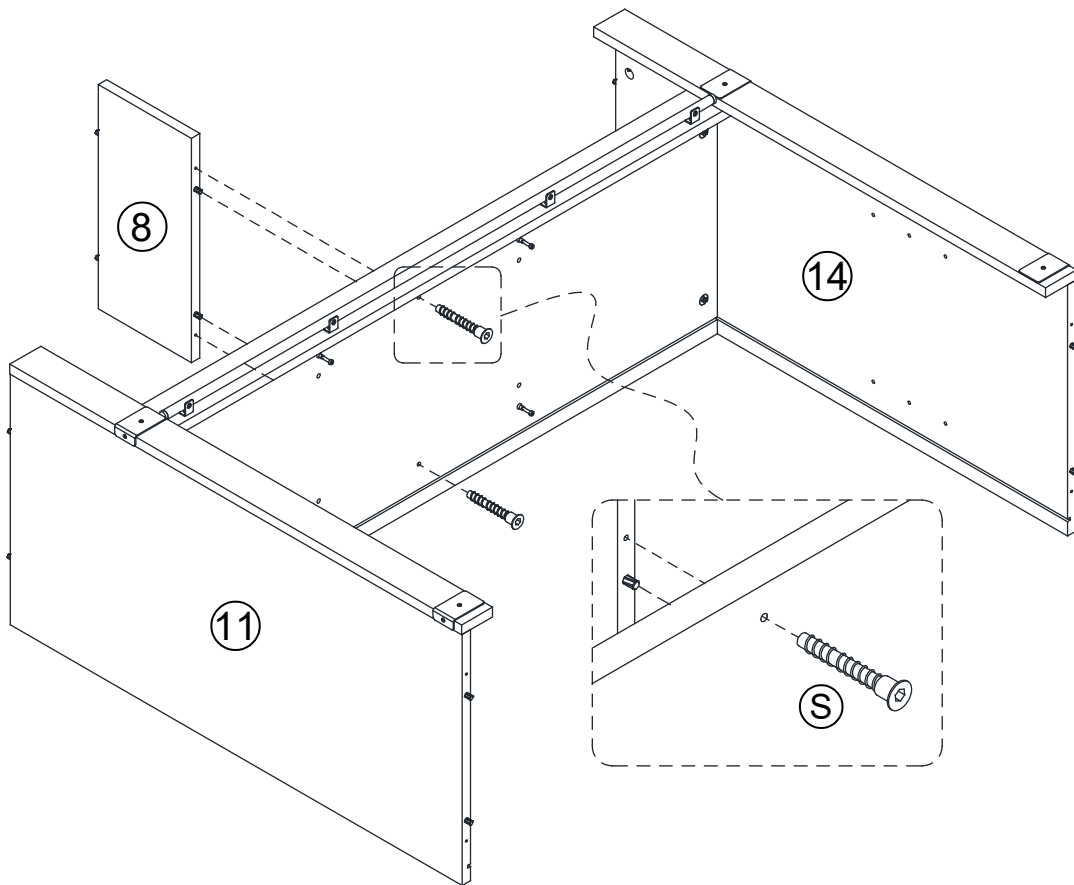
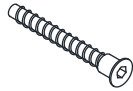
15

(D) x 4pcs

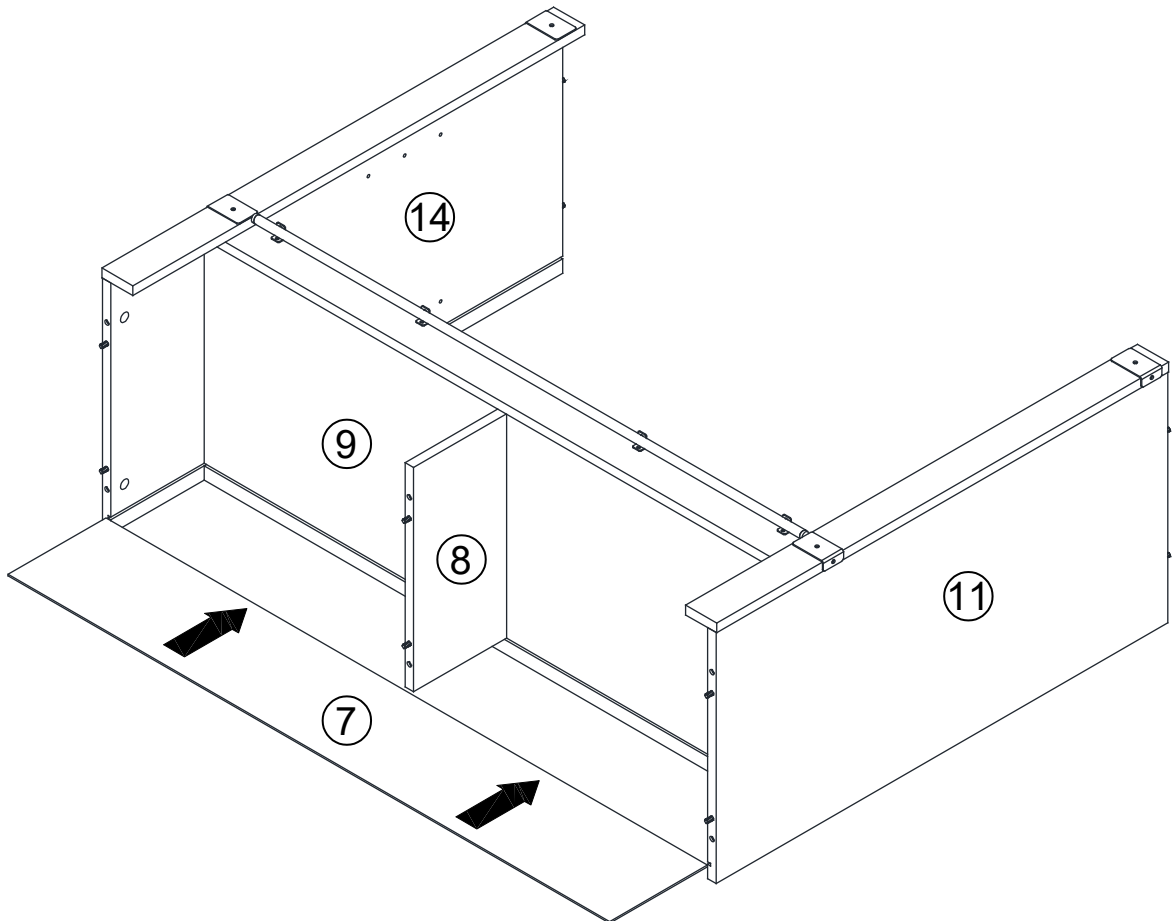


16

Ⓢ x 2pcs

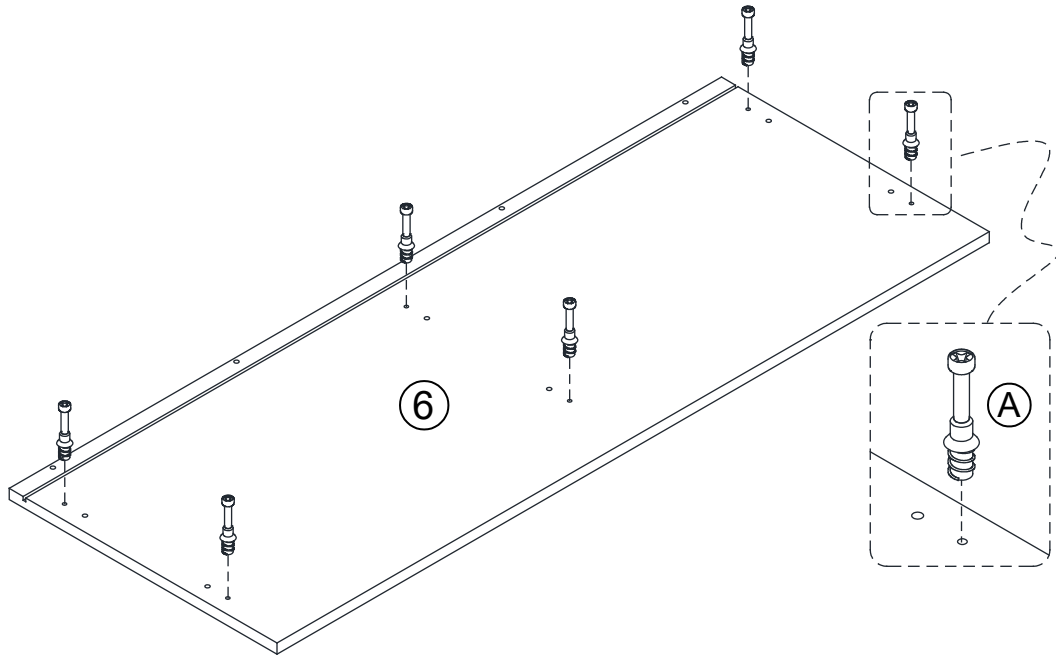
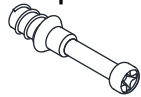


17



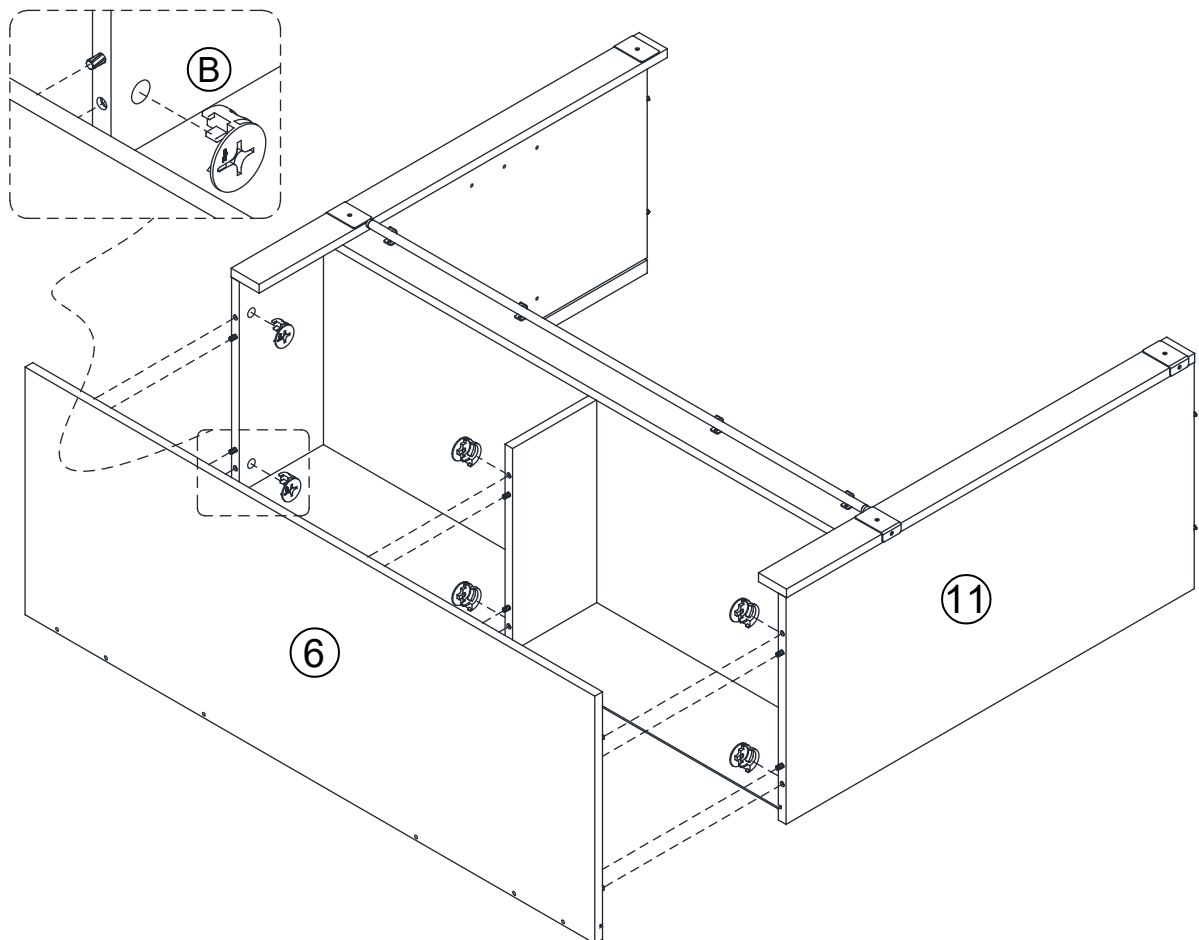
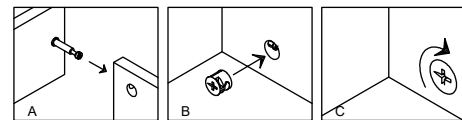
18

(A) x 6pcs

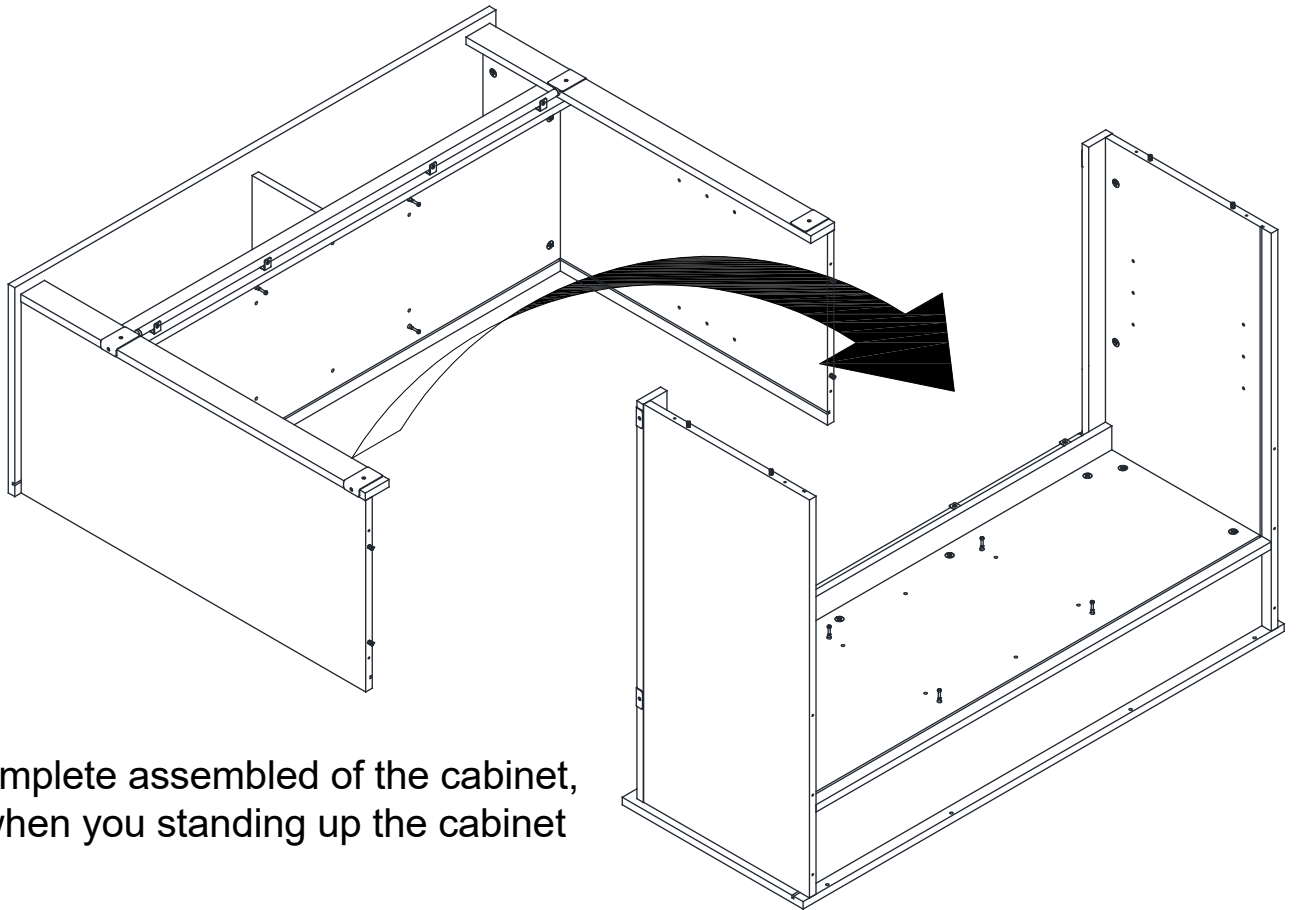


19

(B) x 6pcs



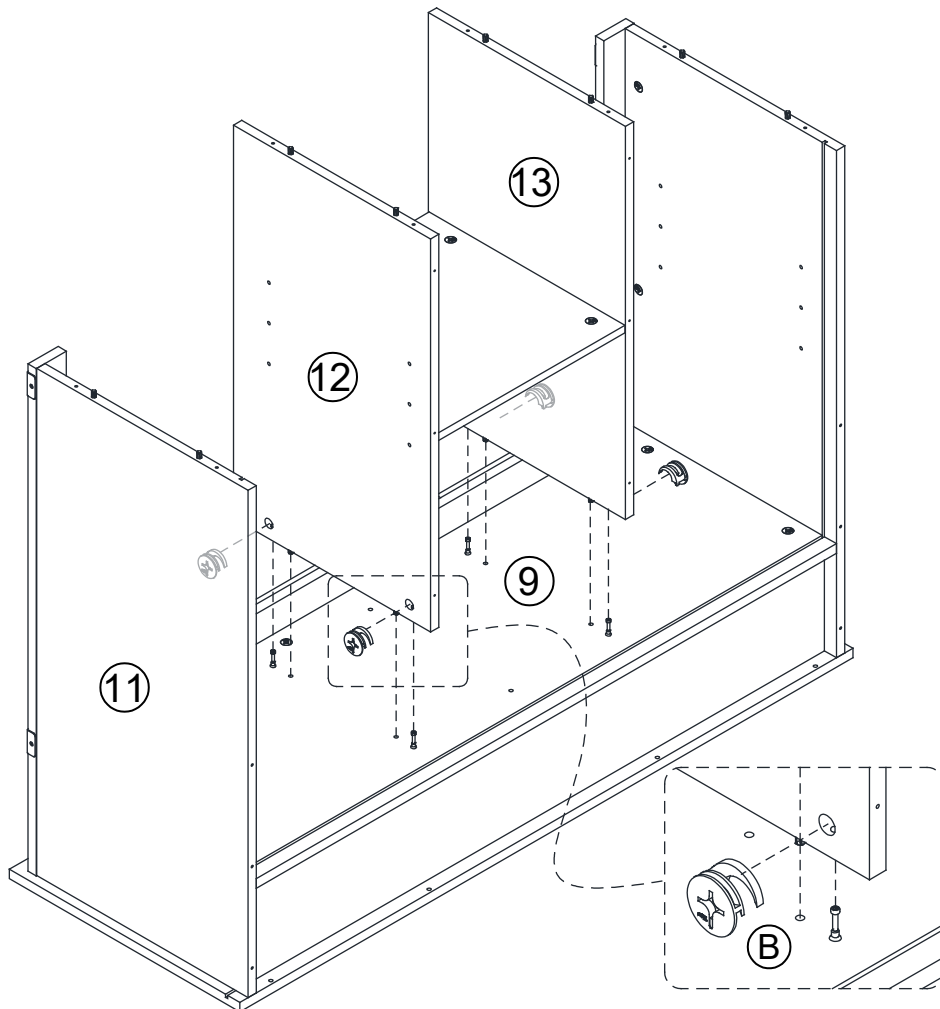
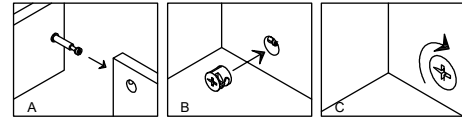
20



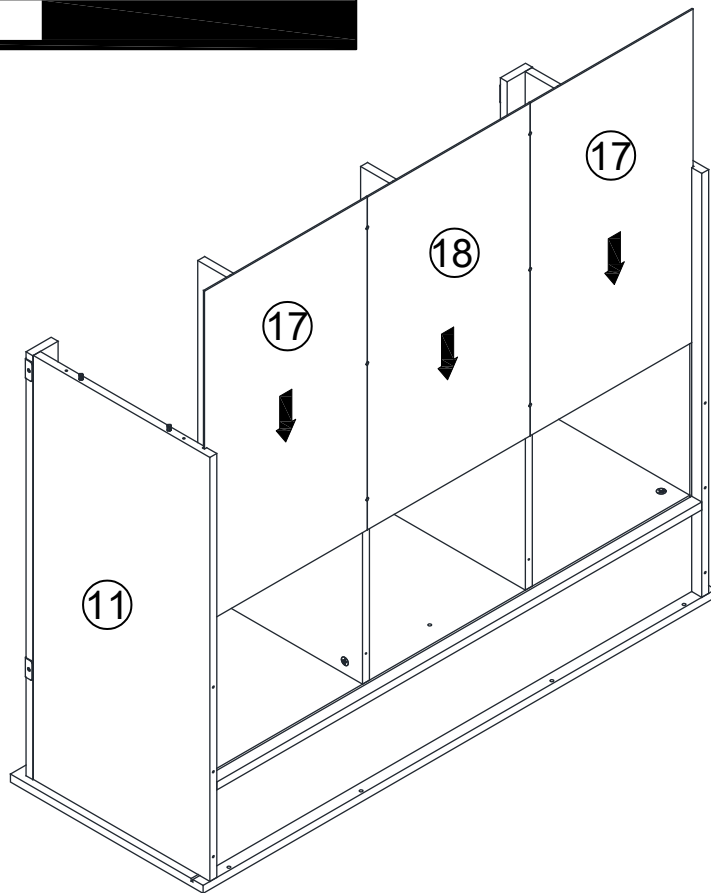
Due to incomplete assembled of the cabinet,
Be careful when you standing up the cabinet

21

(B) x 4pcs

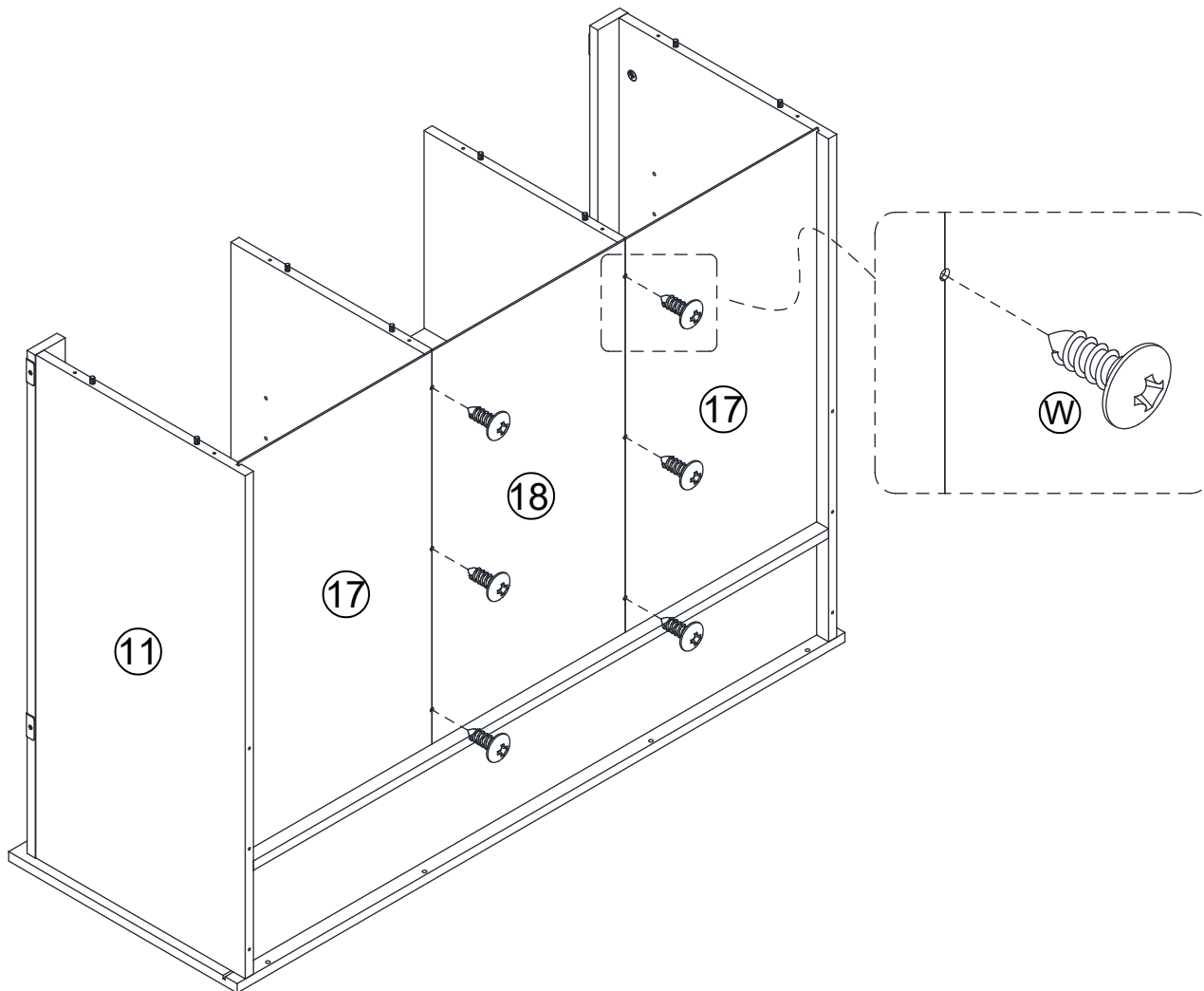


22



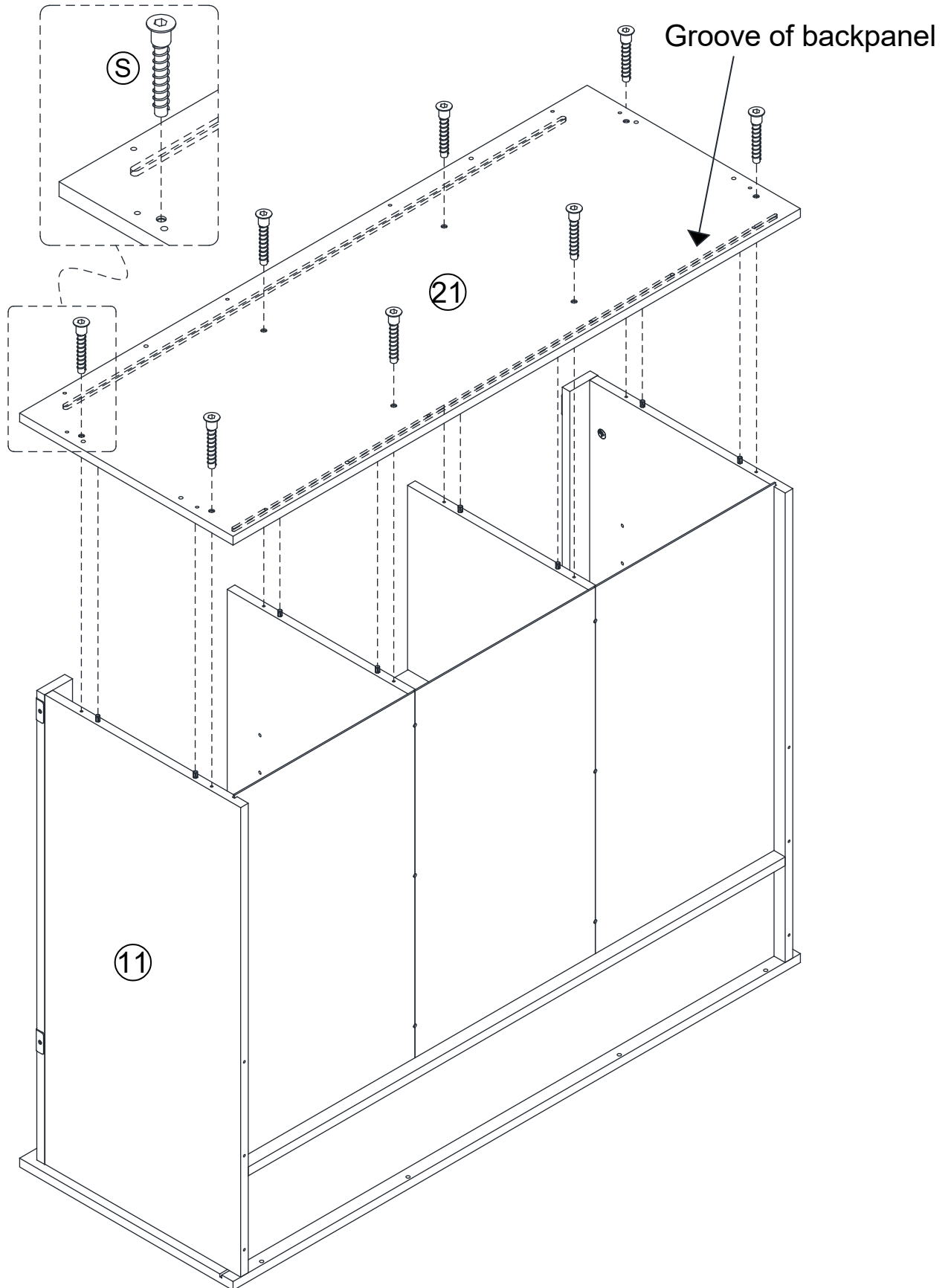
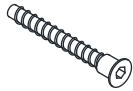
23

W x 6pcs



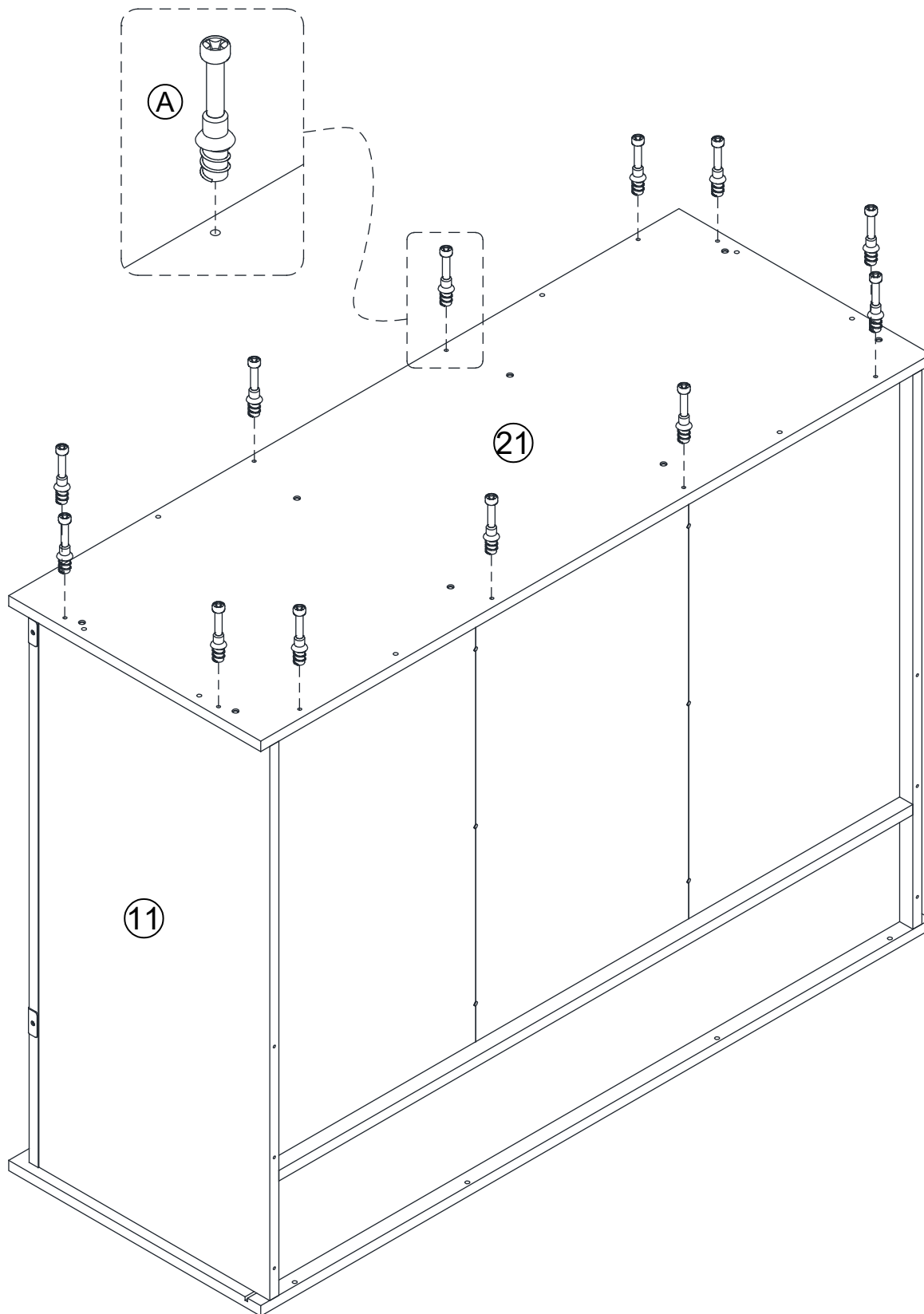
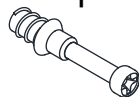
24

(S) x 8pcs



25

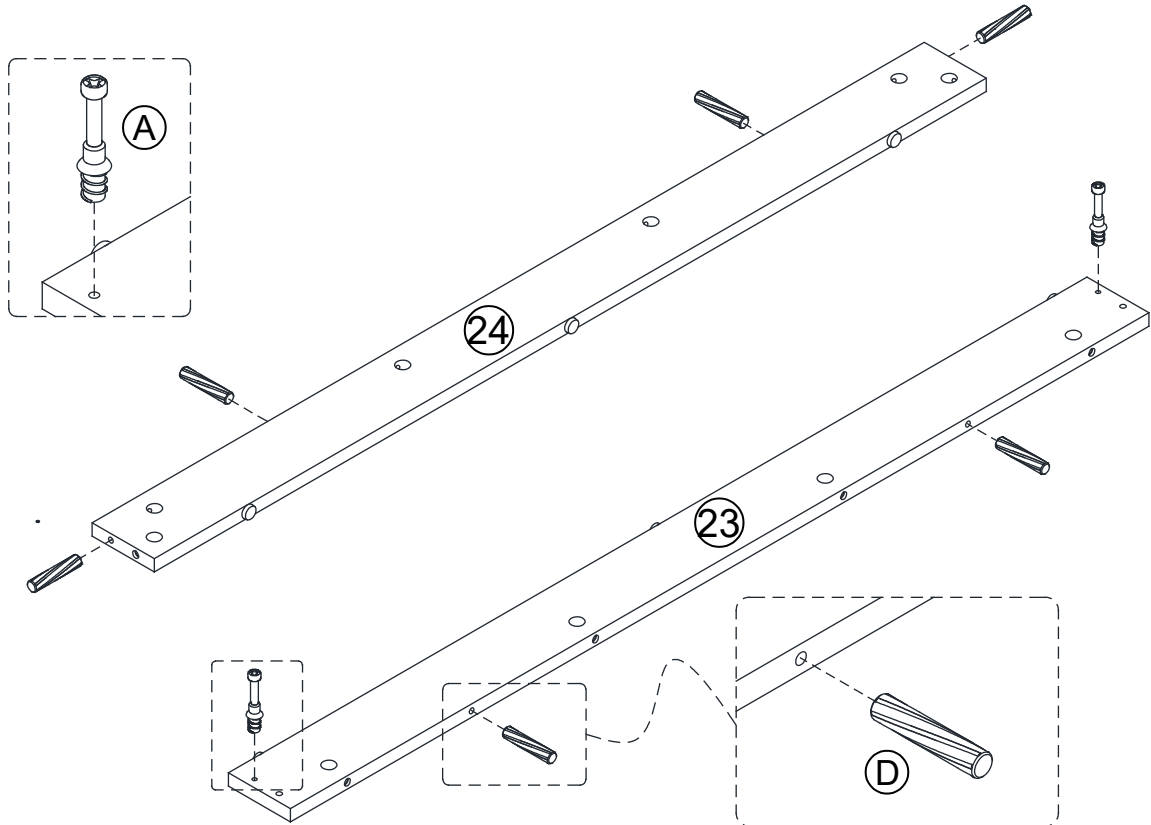
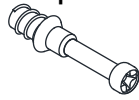
(A) x 12pcs



26

(A) x 2pcs

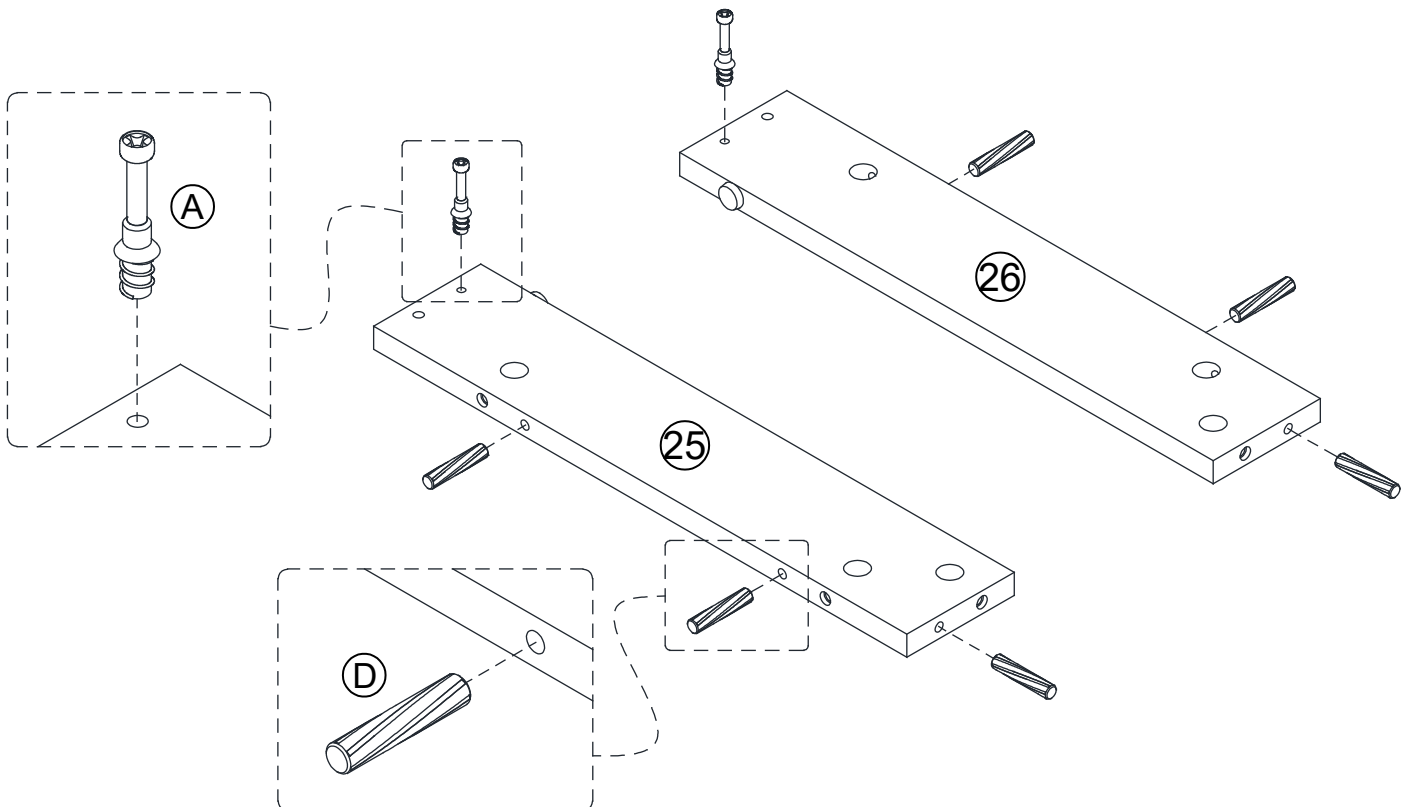
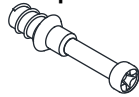
(D) x 6pcs



27

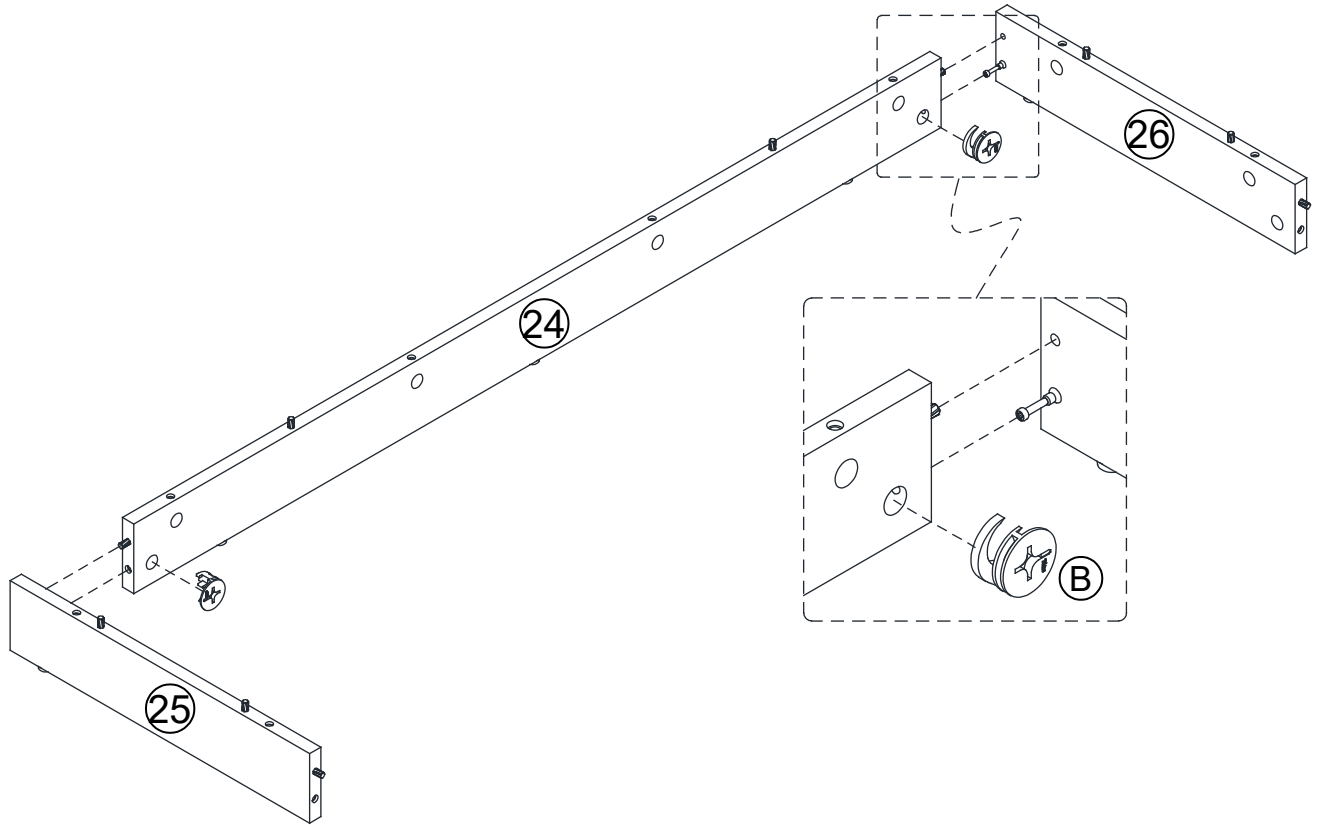
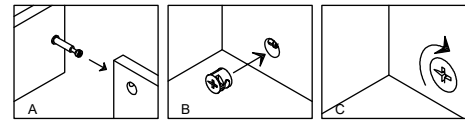
(A) x 2pcs

(D) x 6pcs



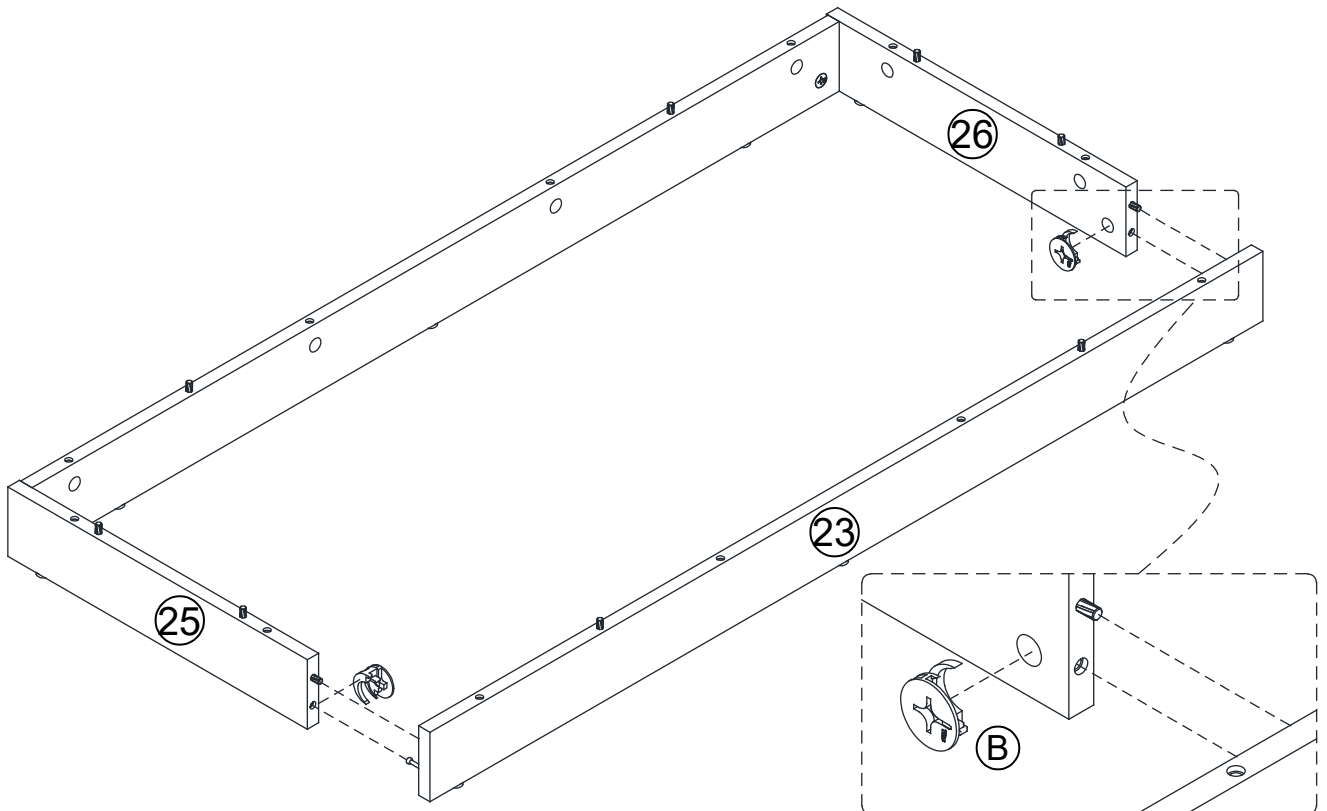
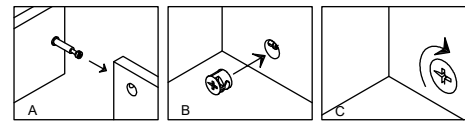
28

Ⓑ x 2pcs



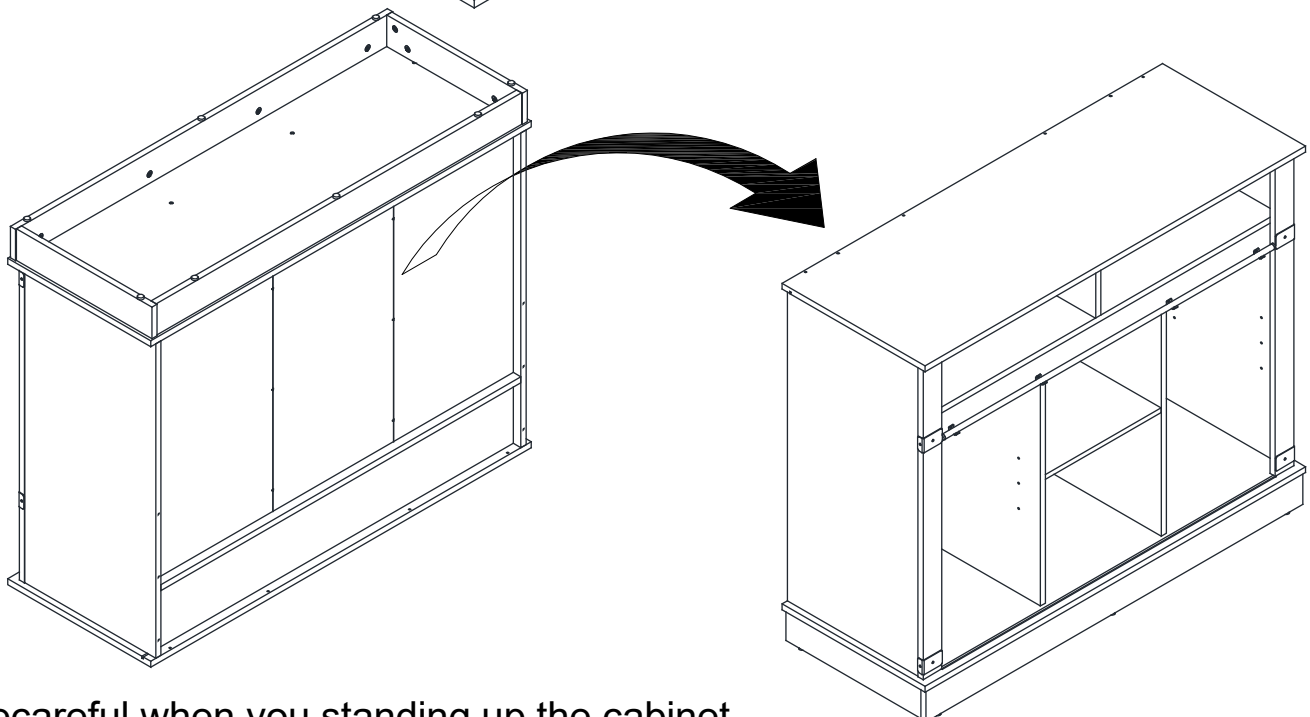
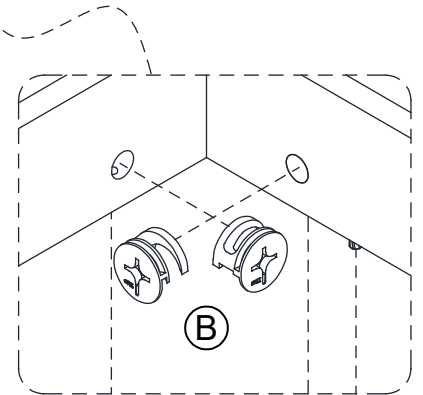
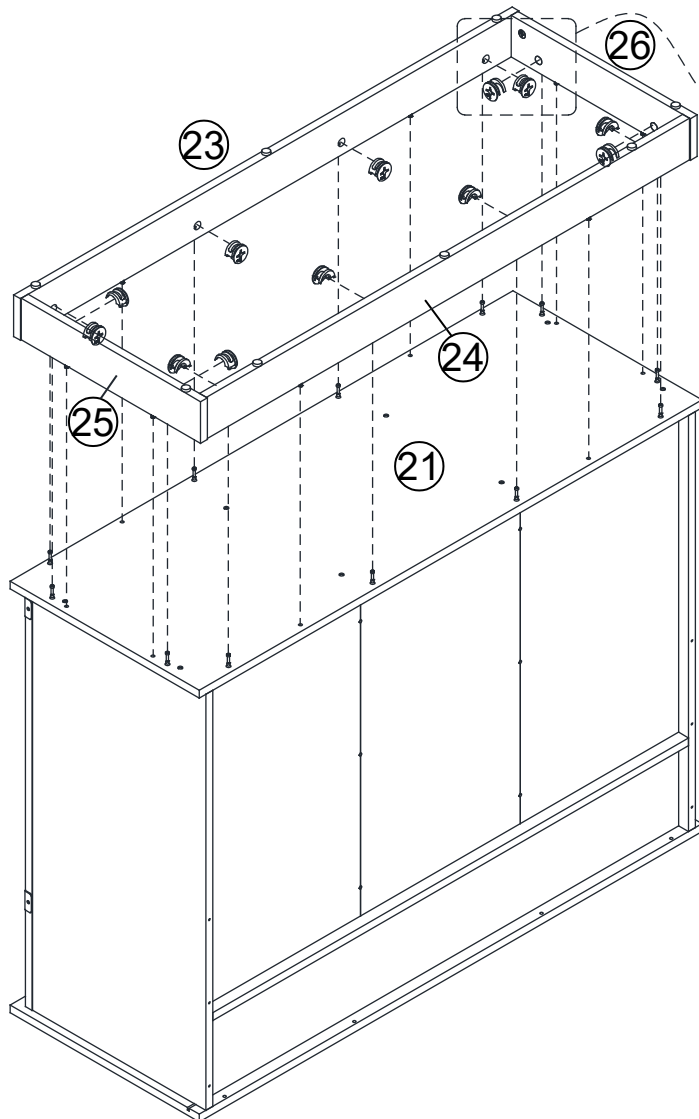
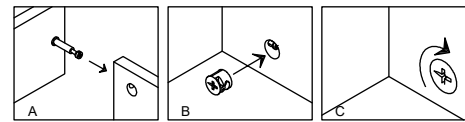
29

Ⓑ x 2pcs



30

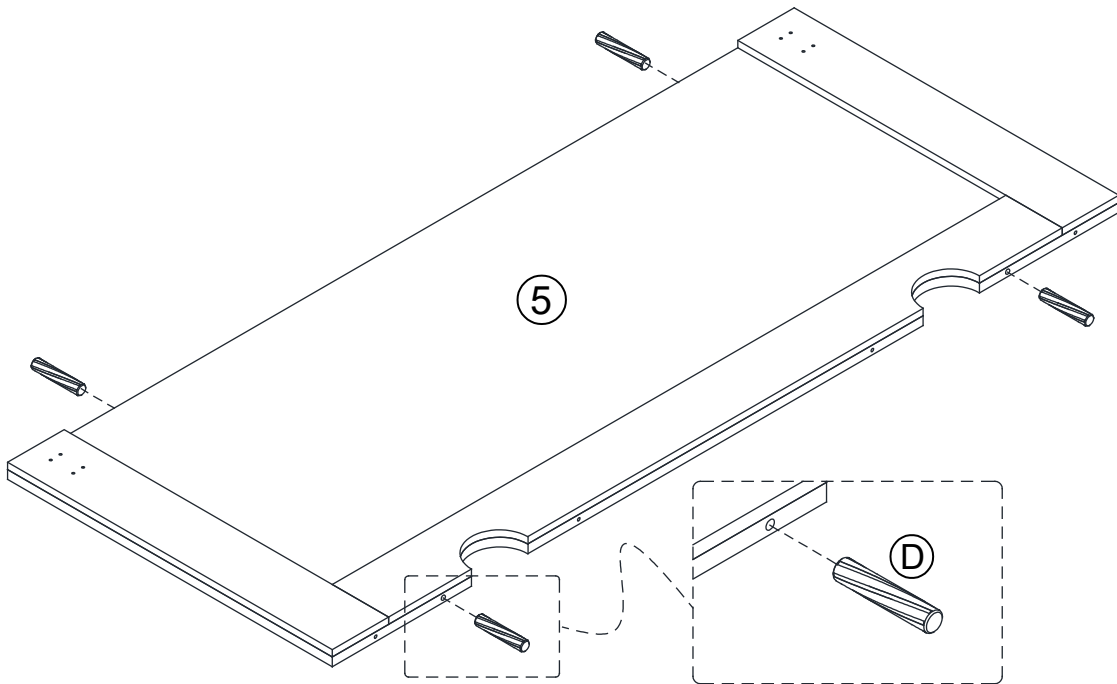
Ⓑ x 12pcs



Be careful when you standing up the cabinet

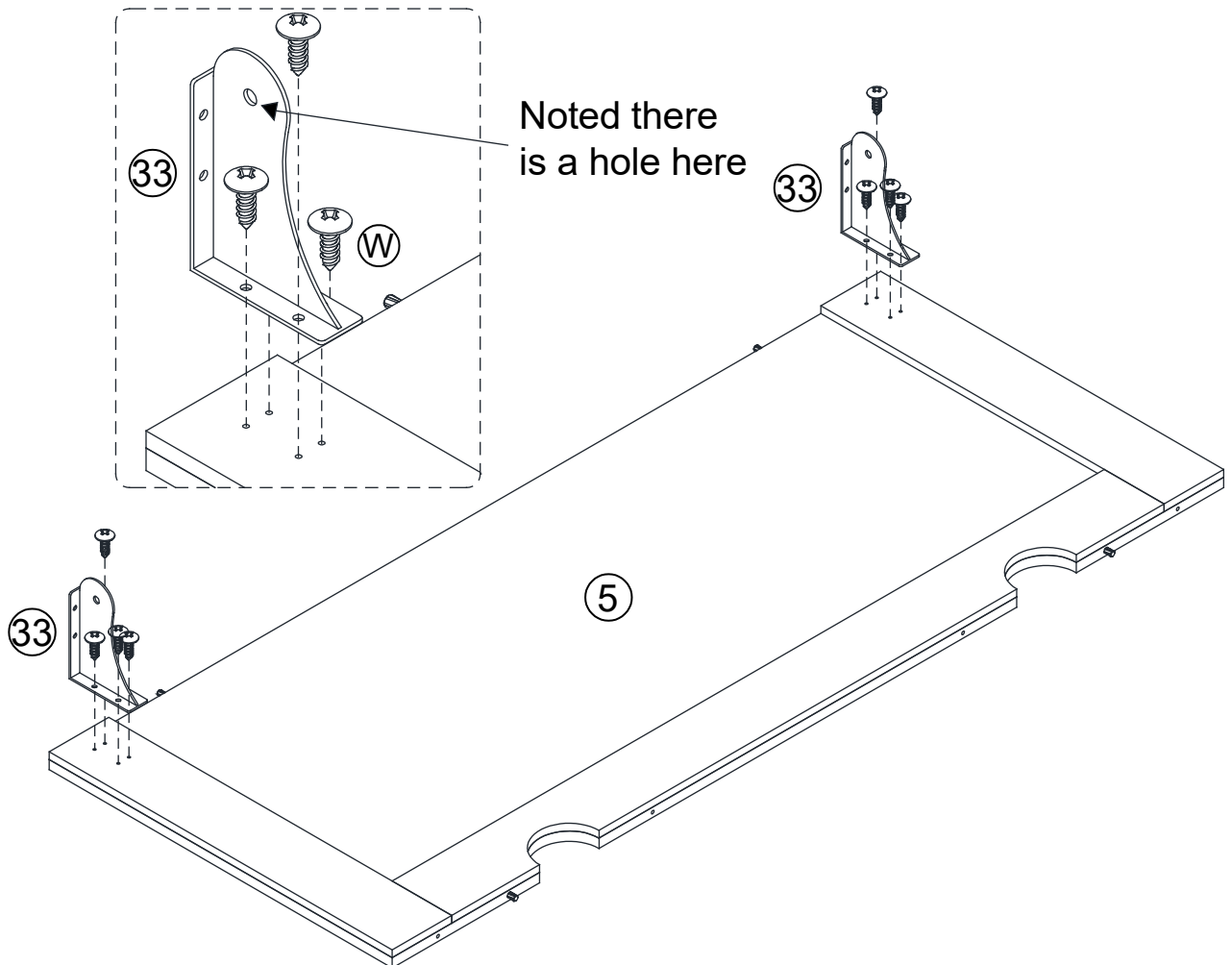
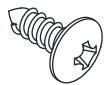
31

ⓓ x 4pcs



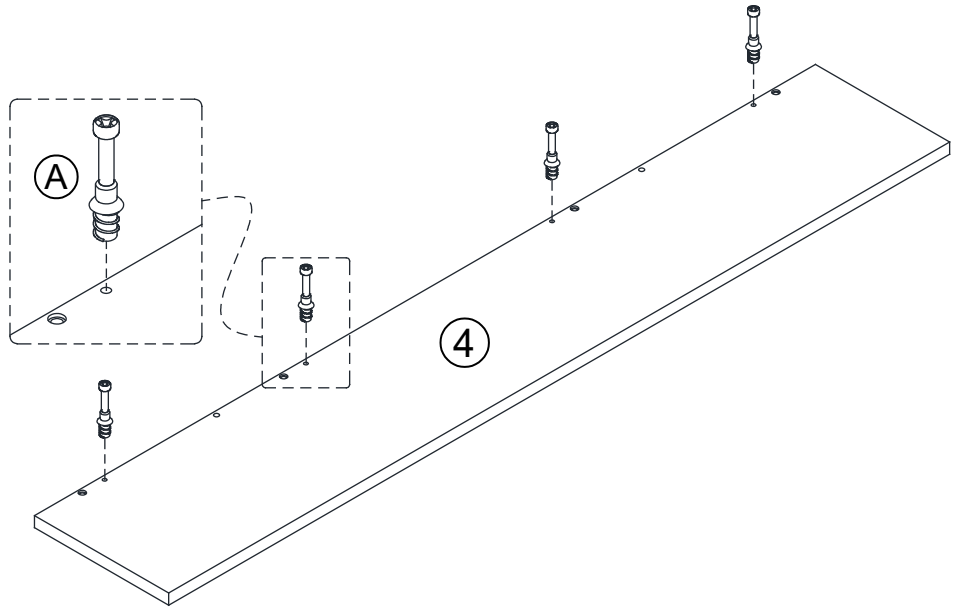
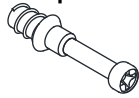
32

Ⓦ x 8pcs



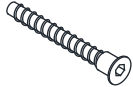
33

(A) x 4pcs

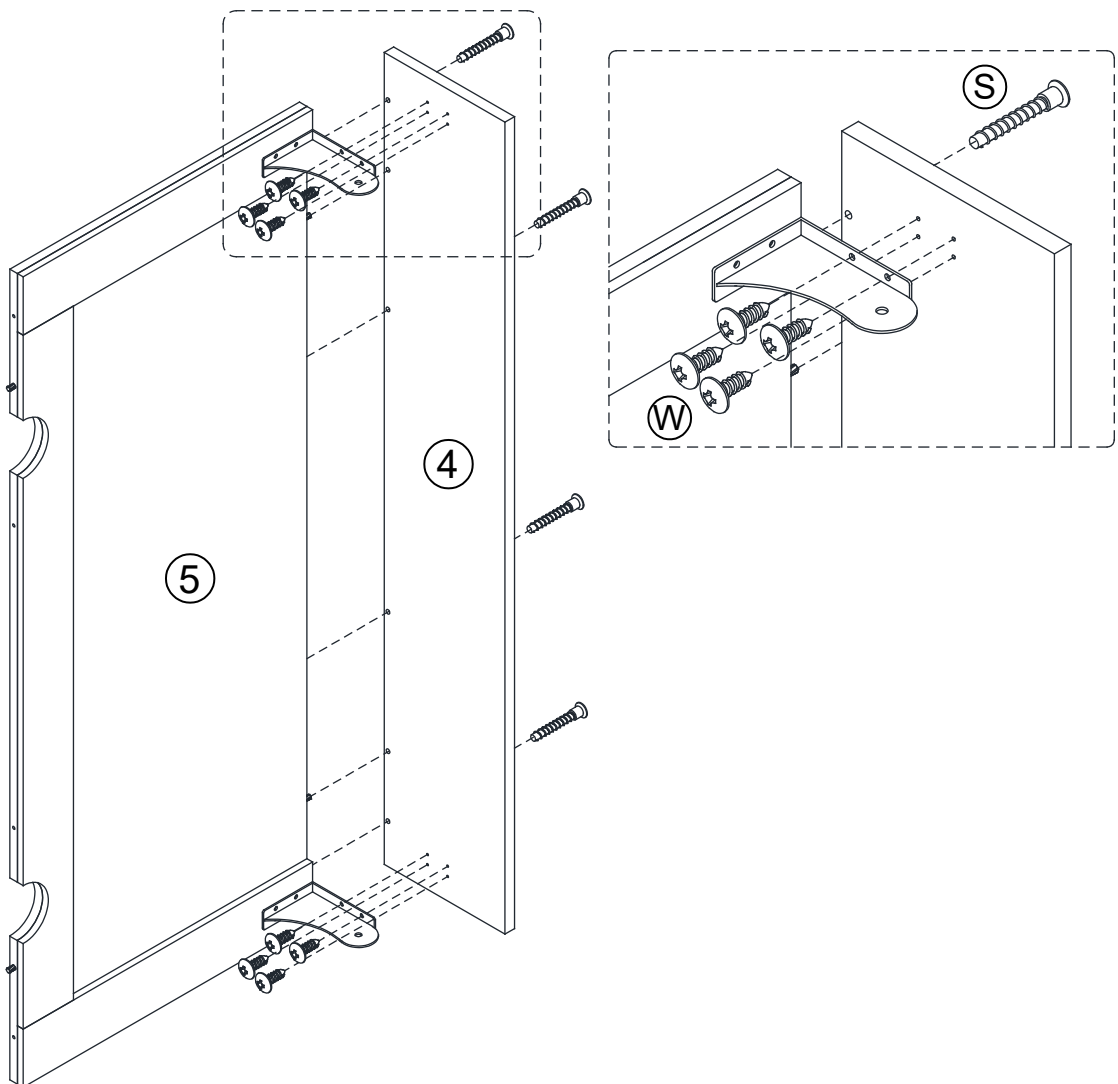
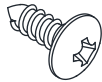


34

(S) x 4pcs

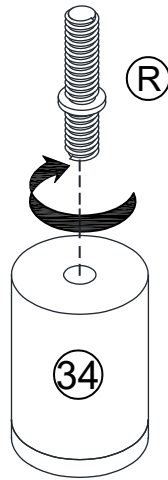
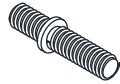


(W) x 8pcs



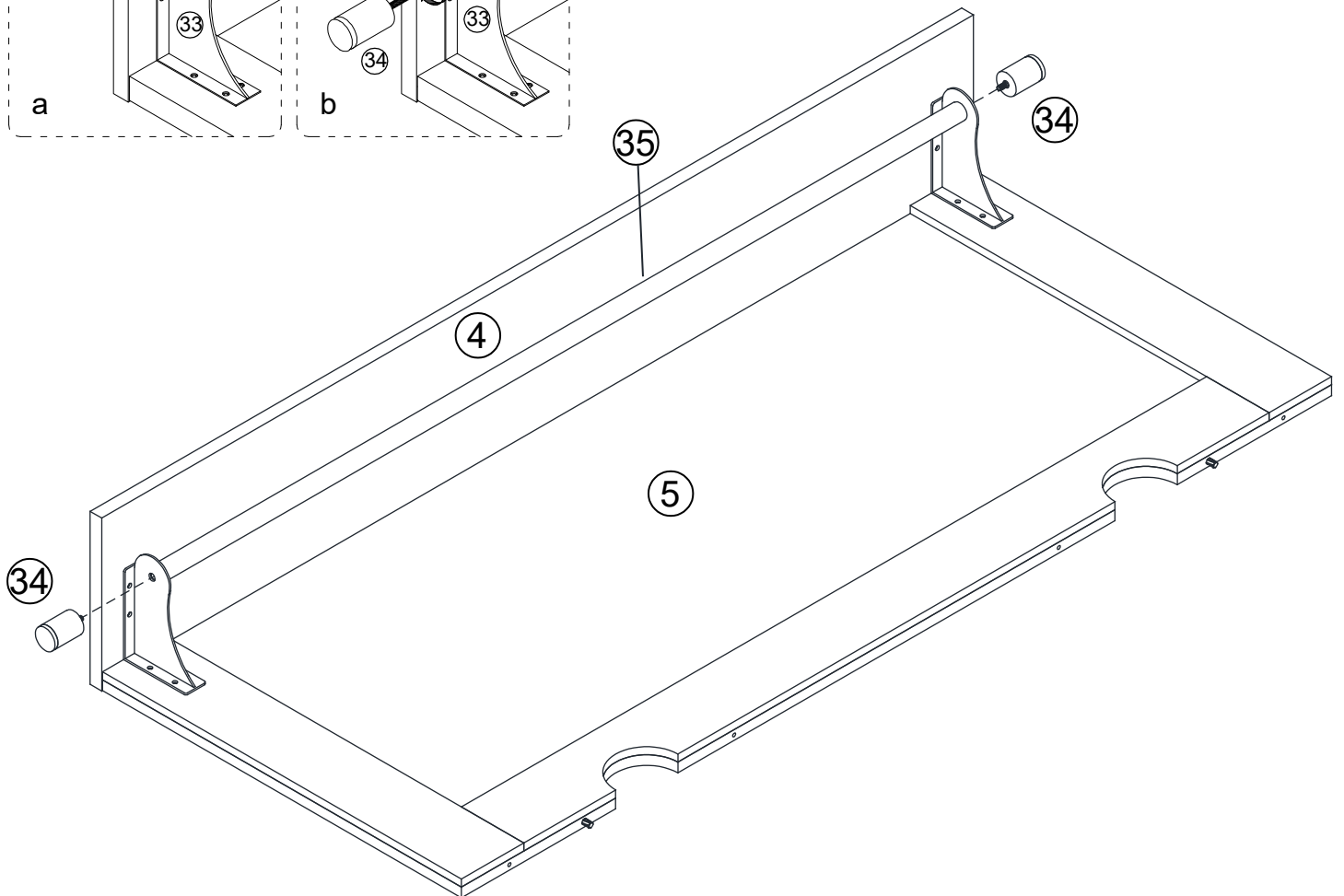
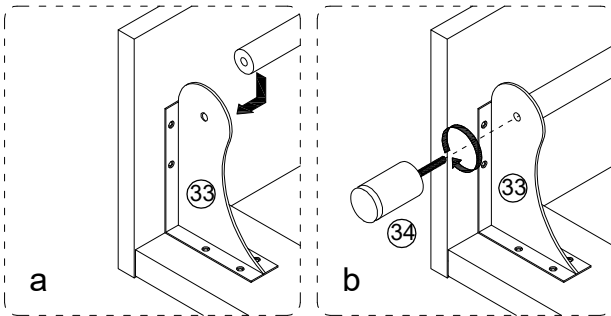
35

Ⓡ x 2pcs



36

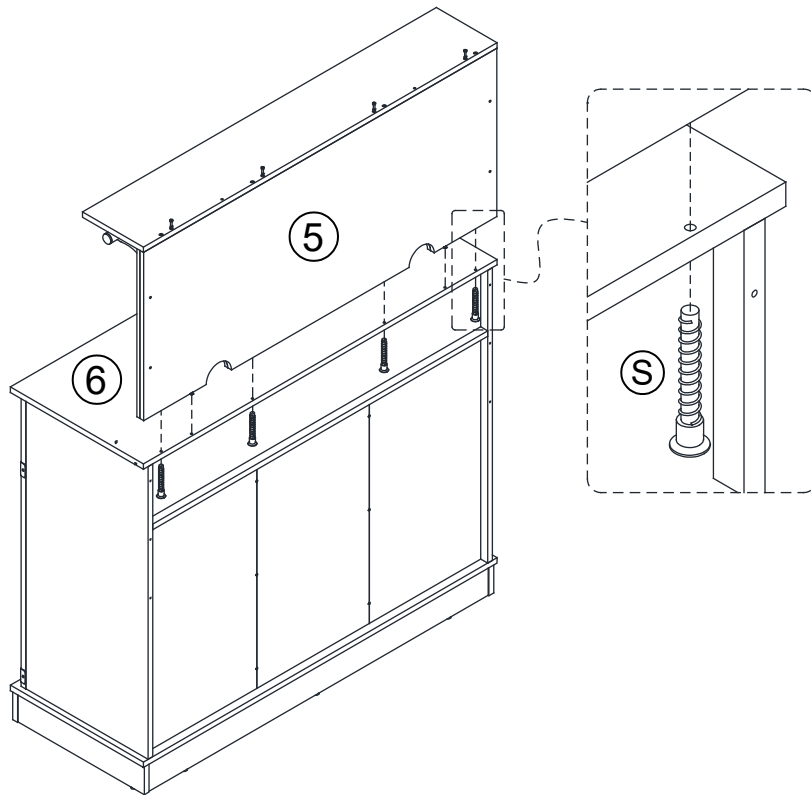
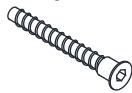
x 2



37

Ⓢ x 4pcs

Ⓟ x 1pcs



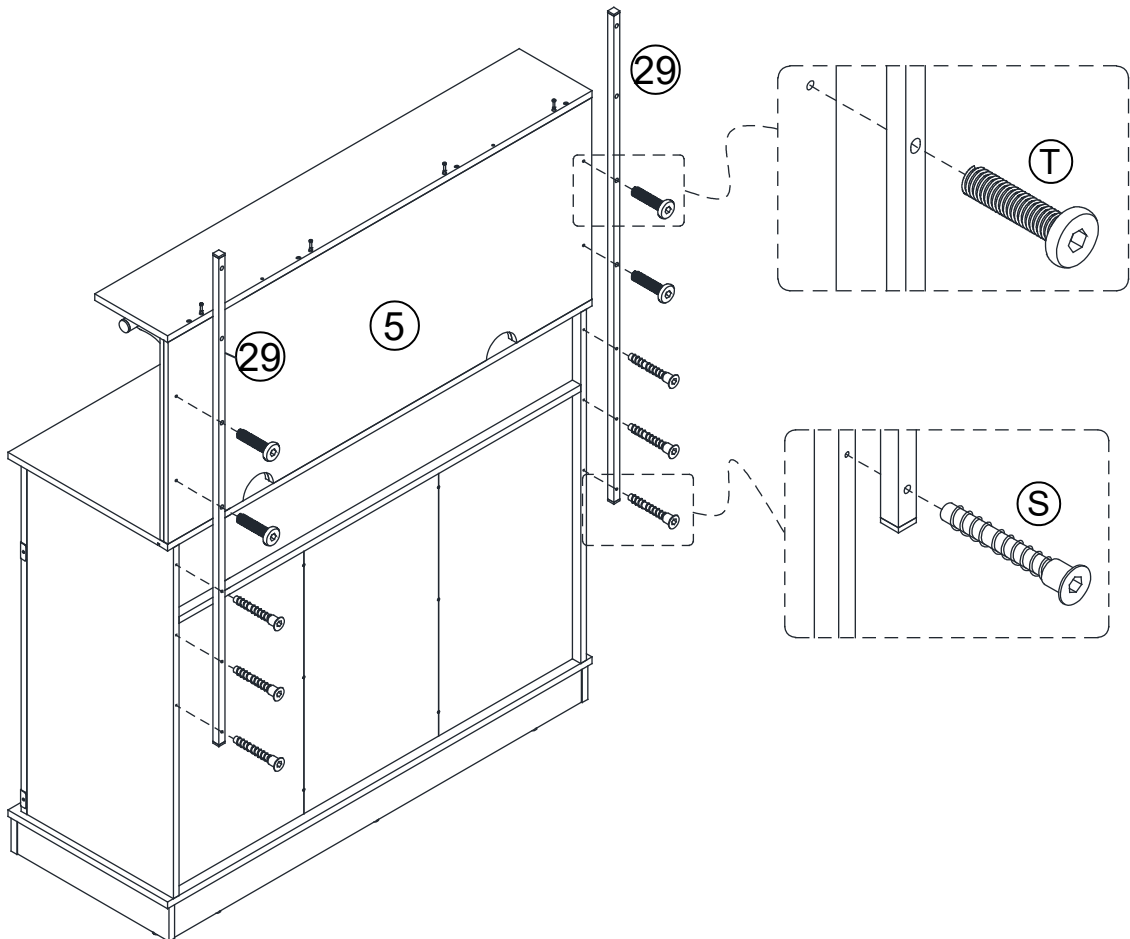
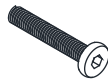
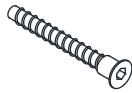
38

Ⓢ x 6pcs

Ⓣ x 4pcs

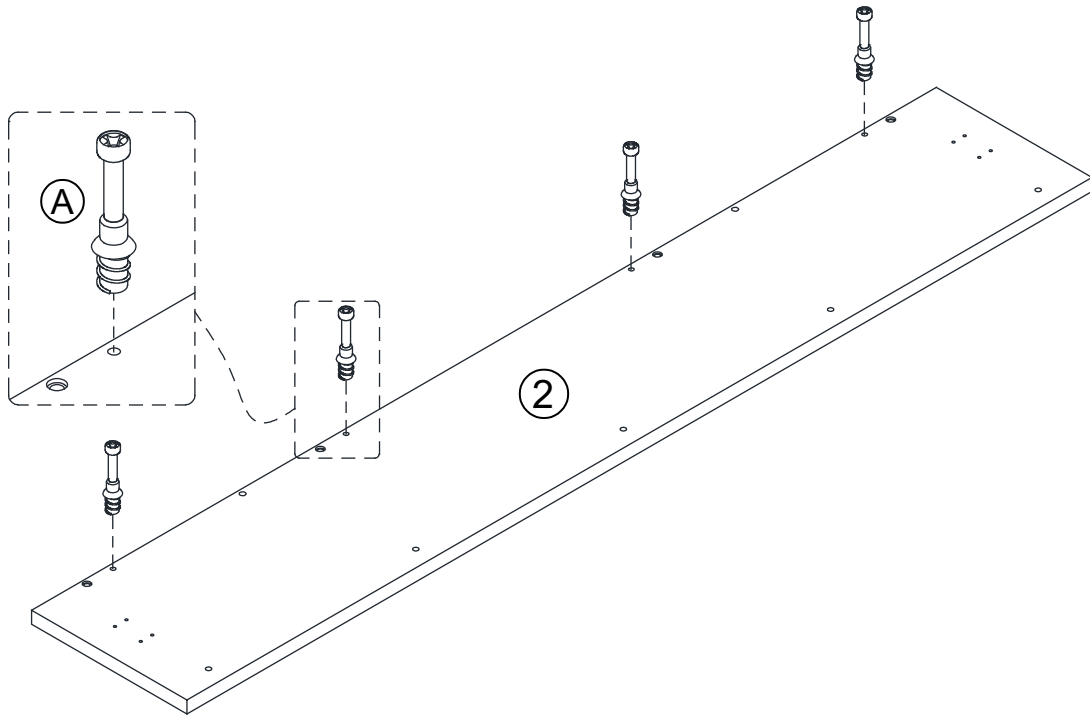
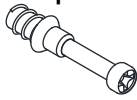
Ⓜ x 1pcs

Ⓟ x 1pcs



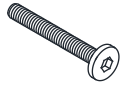
39

Ⓐ x 4pcs

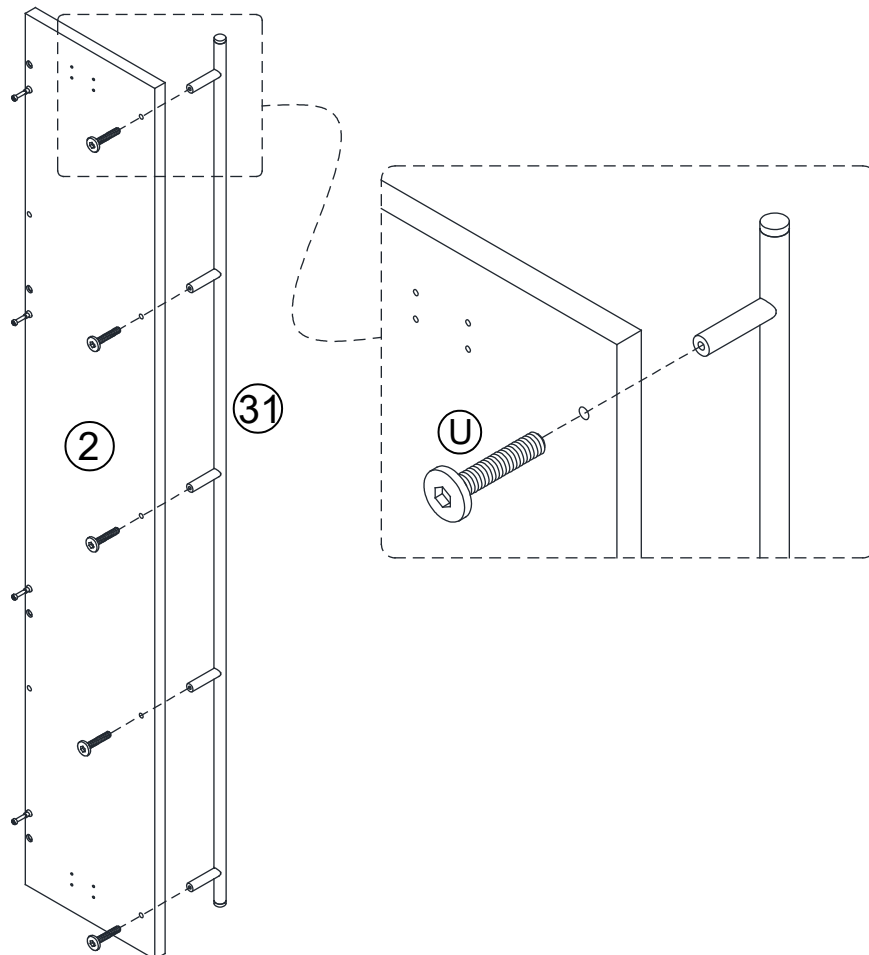
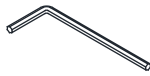


40

Ⓤ x 5pcs

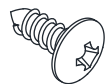


Ⓚ x 1pcs

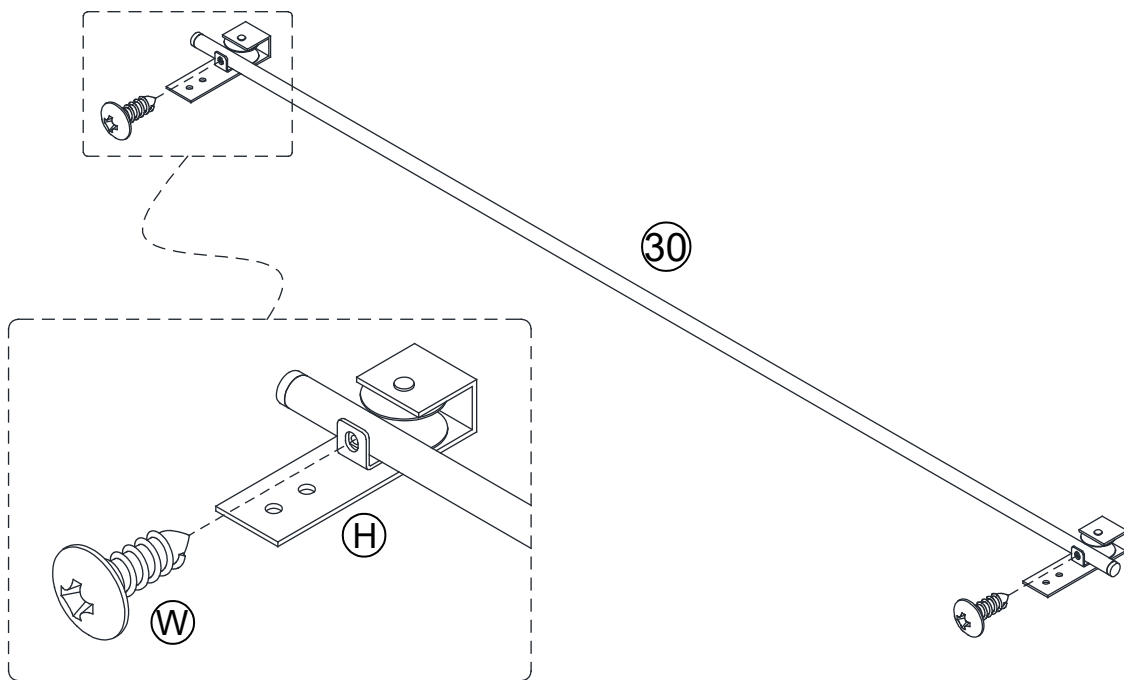
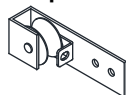


41

Ⓜ x 2pcs



Ⓜ x 2pcs

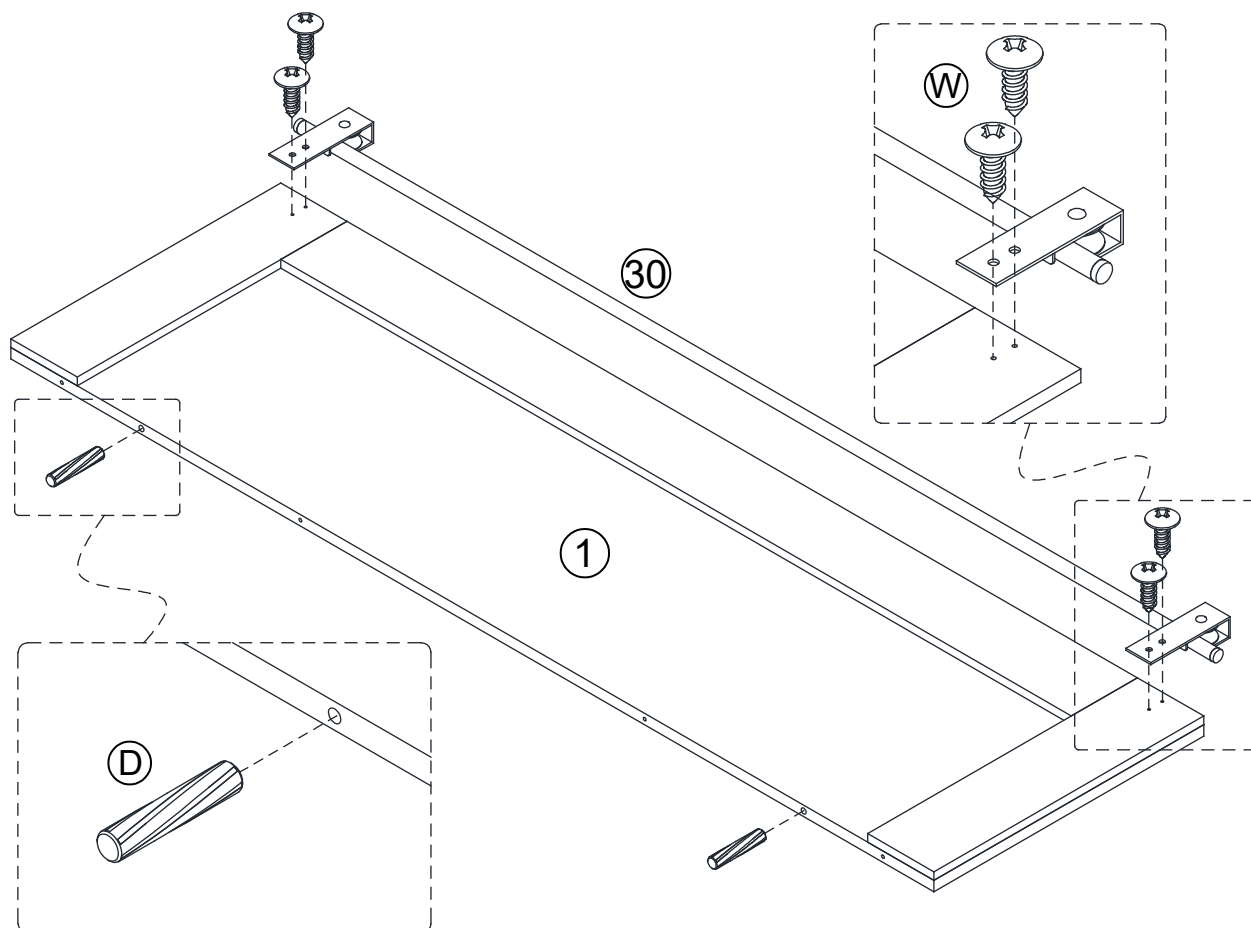


42

Ⓜ x 4pcs

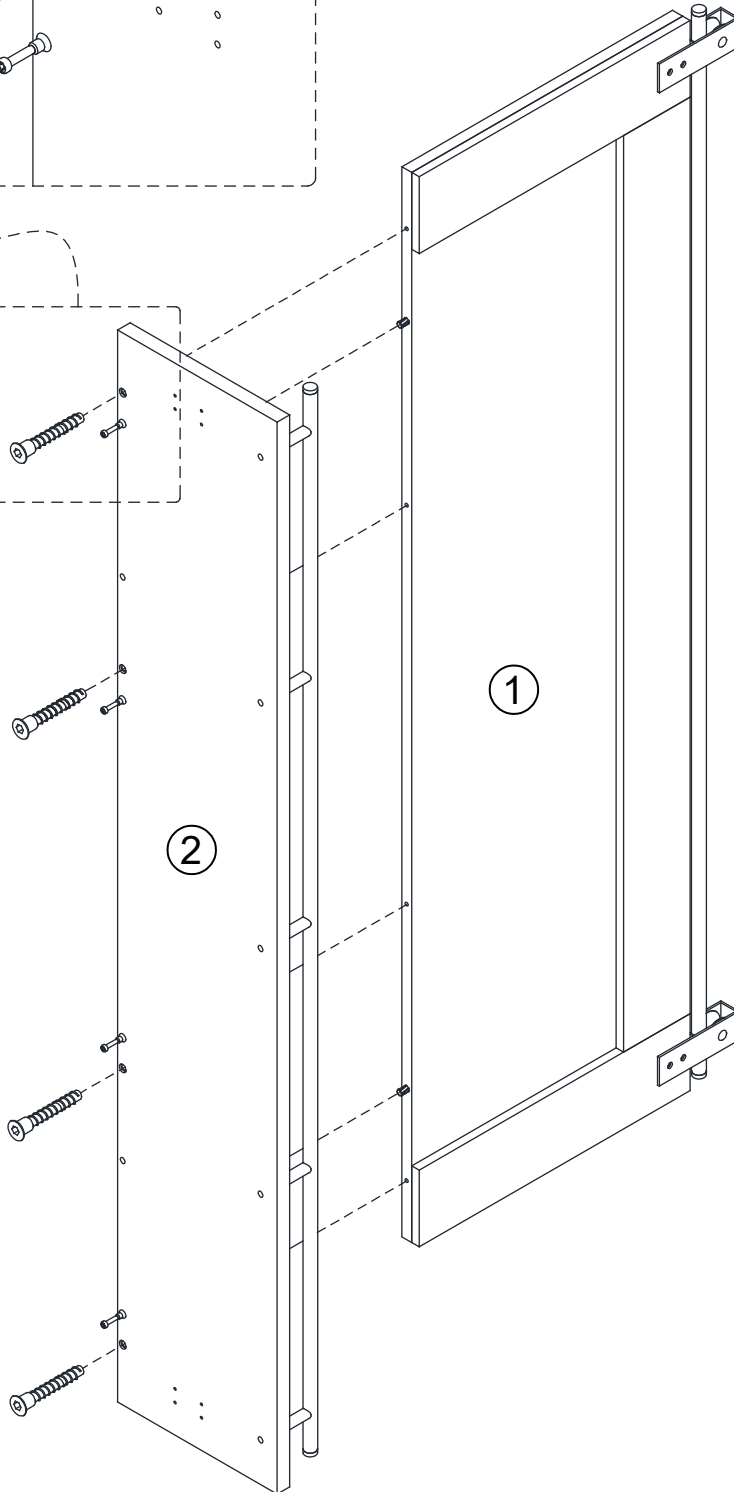
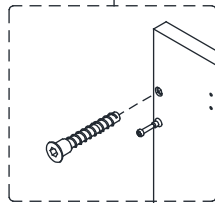
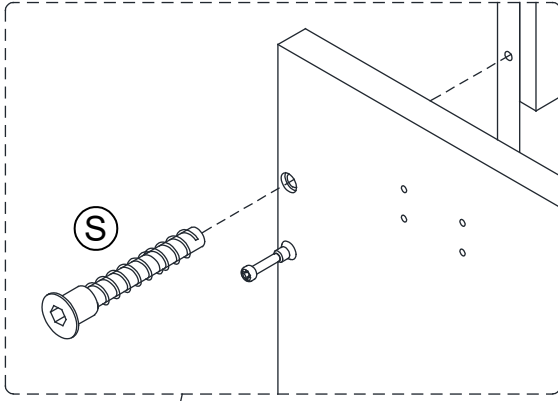


Ⓧ x 2pcs



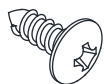
43

Ⓢ x 4pcs

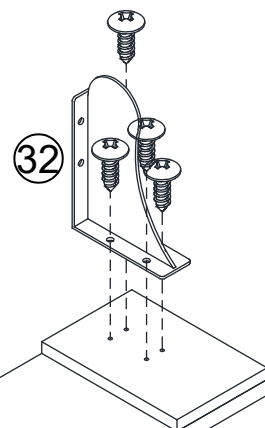
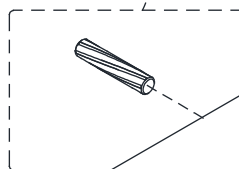
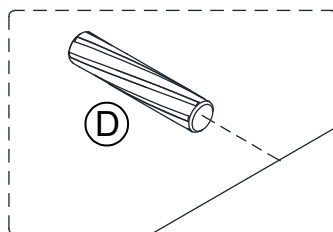
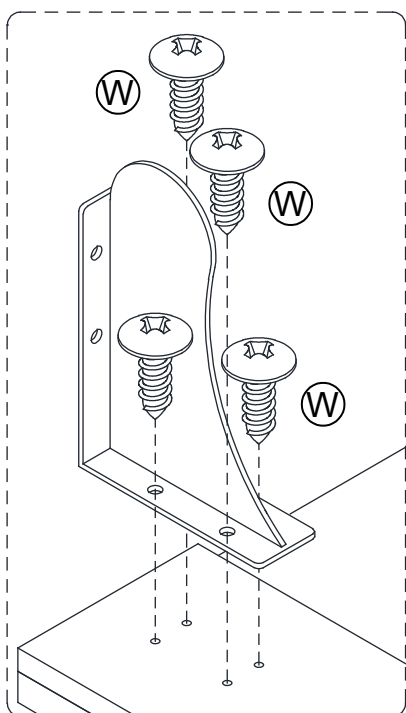


44

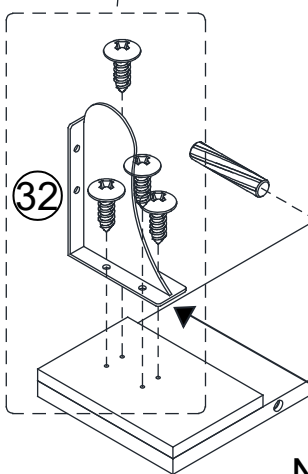
W x 8pcs



D x 2pcs



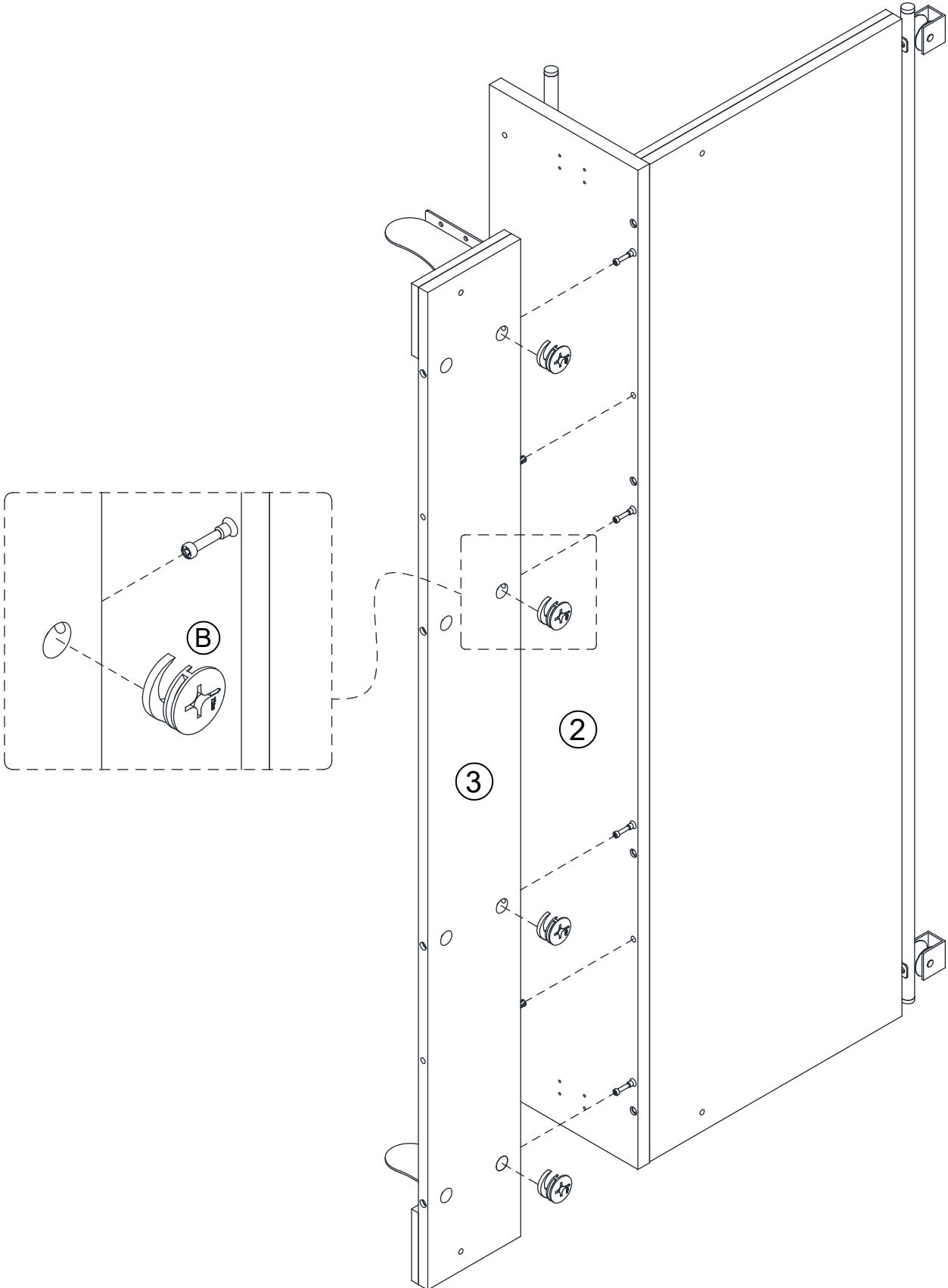
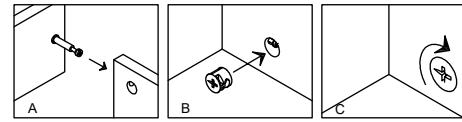
3



Noted the direction

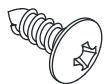
45

(B) x 4pcs

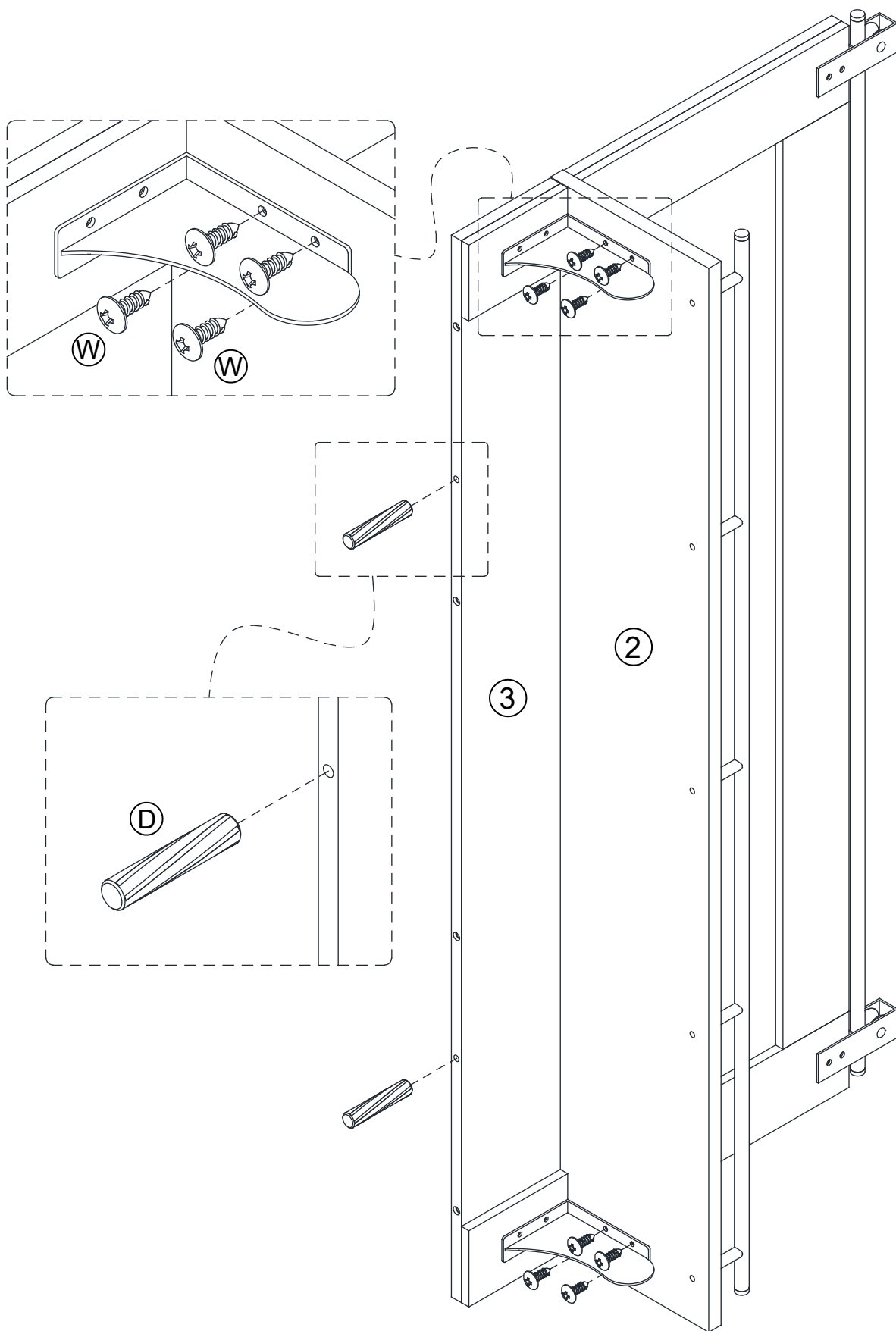


46

W x 8pcs

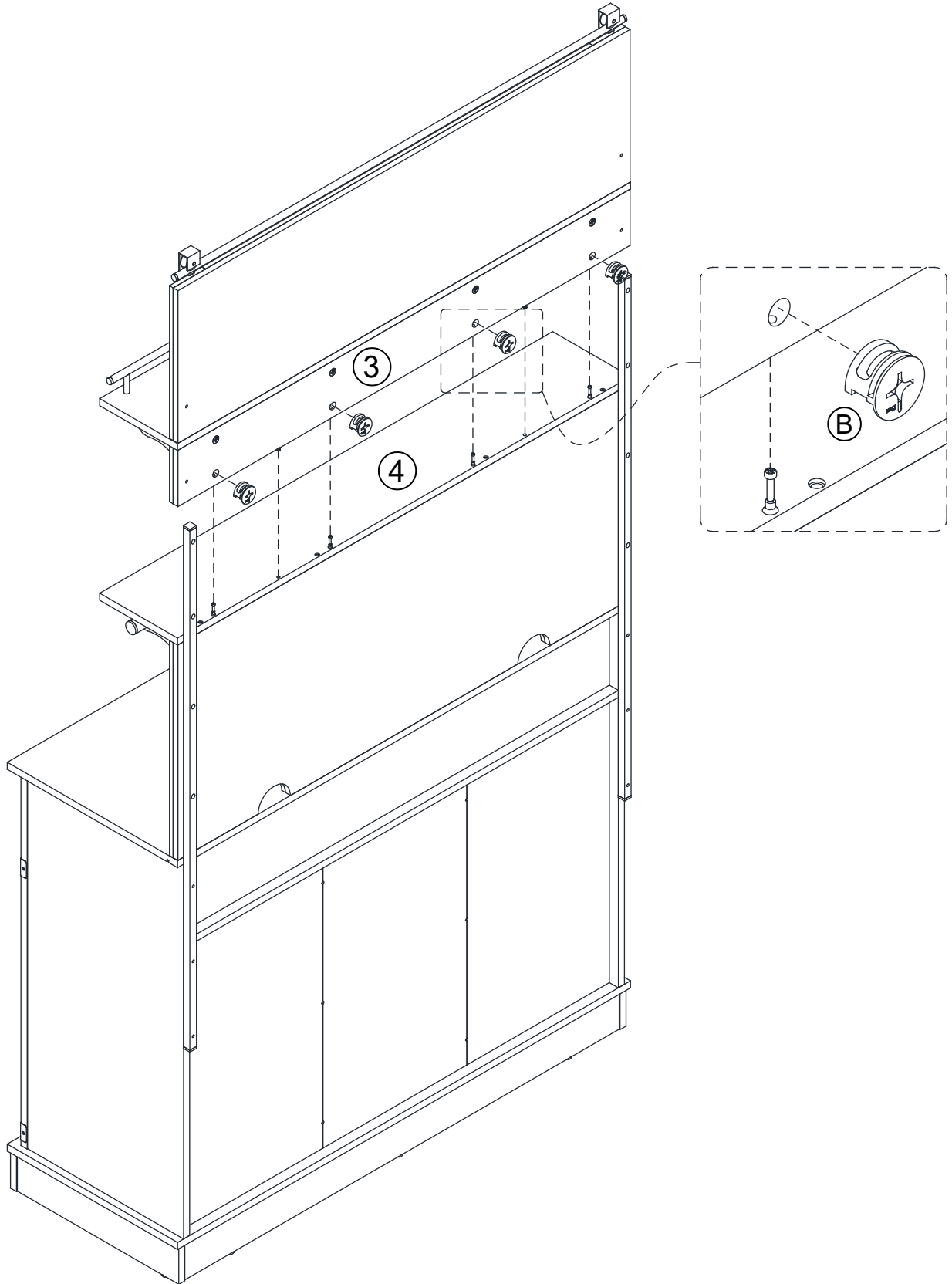
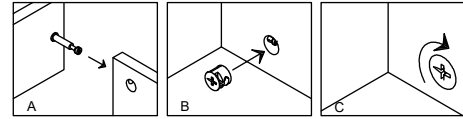


D x 2pcs



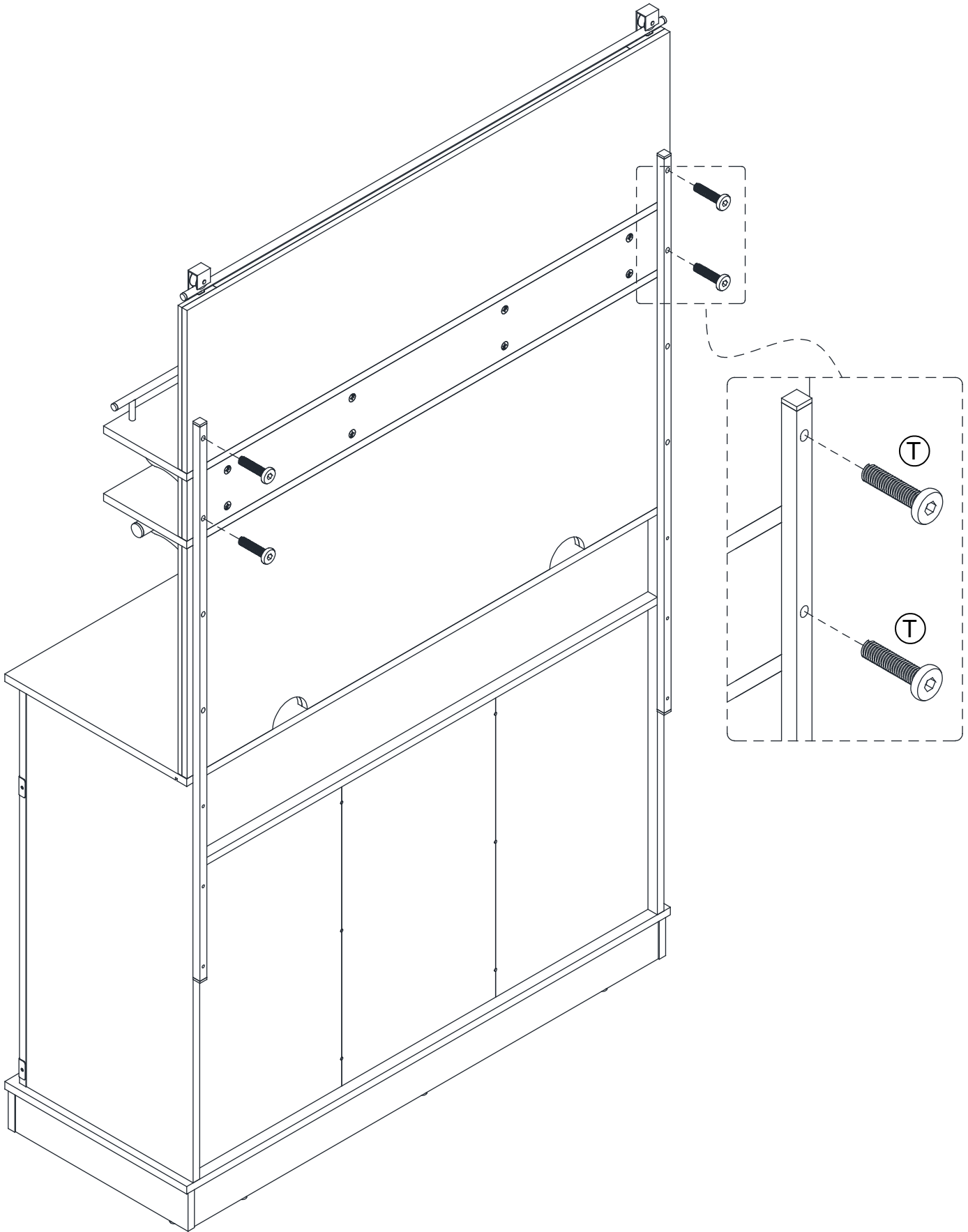
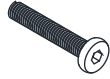
47

(B) x 4pcs



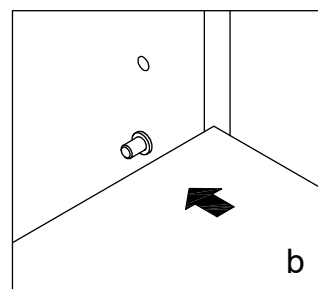
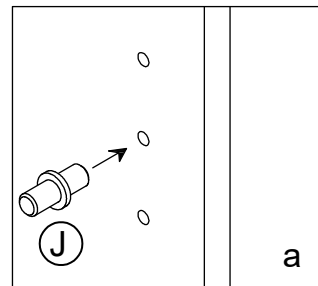
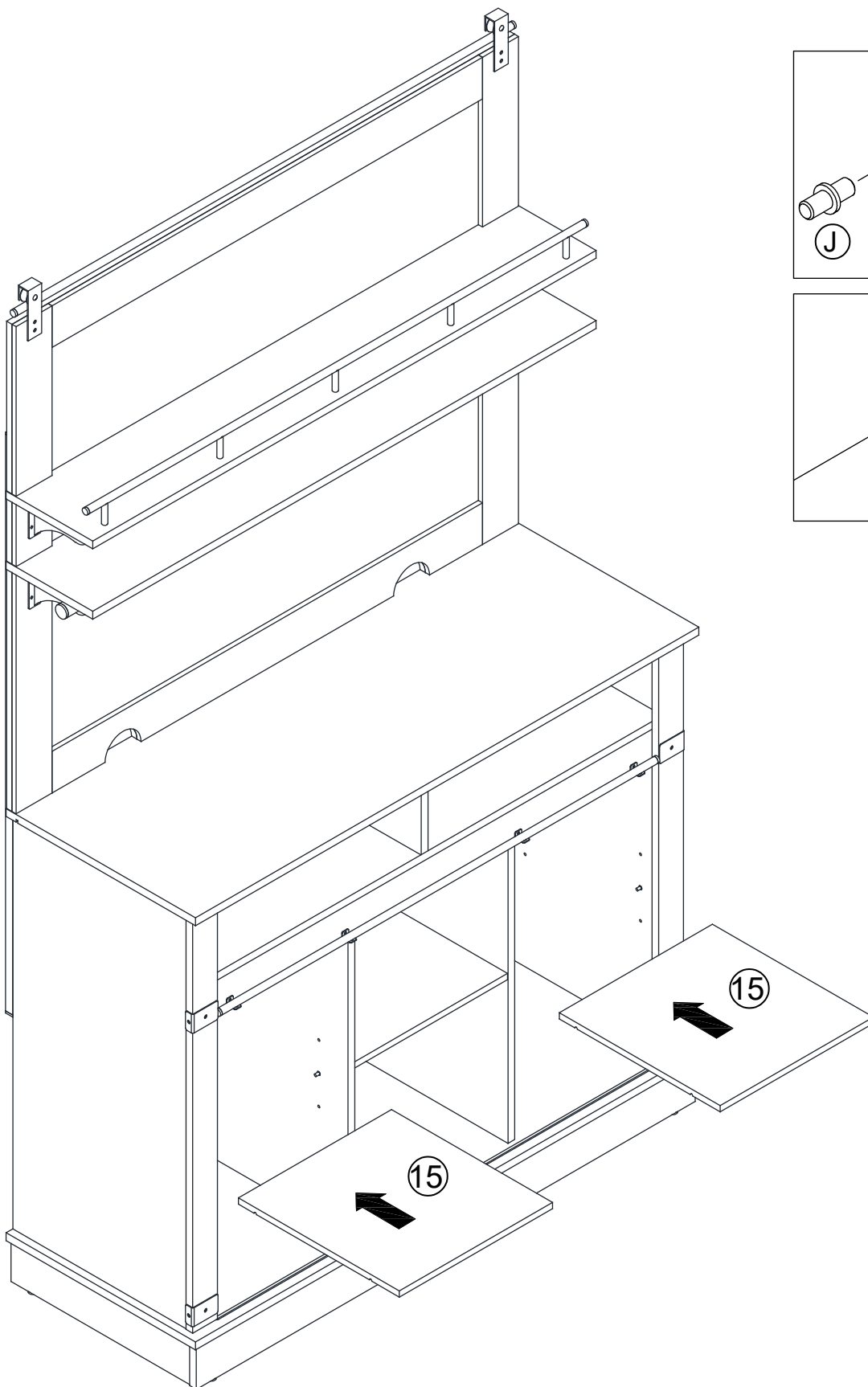
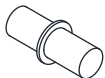
48

Ⓣ x 4pcs



49

ⓐ x 8pcs

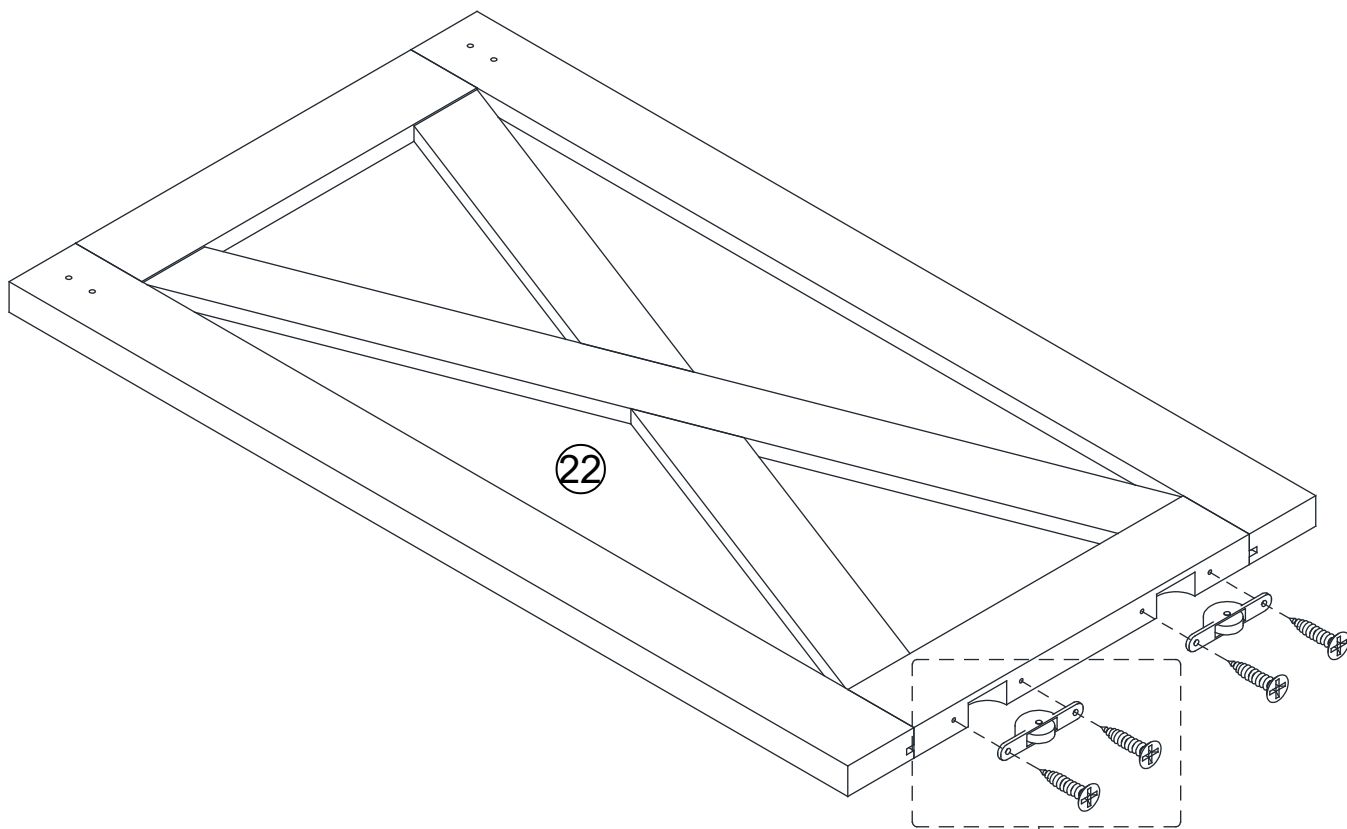
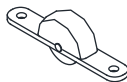


50

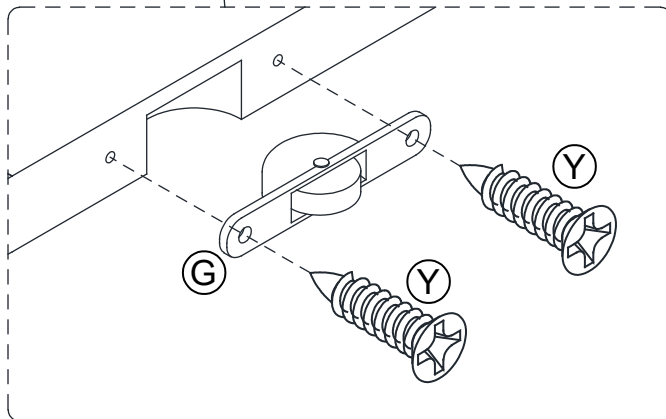
Y x 8pcs



G x 4pcs

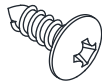


x 2

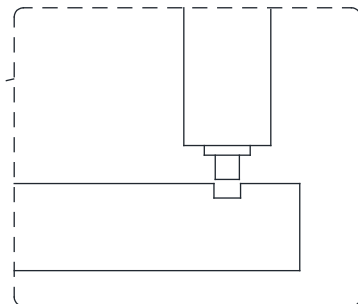
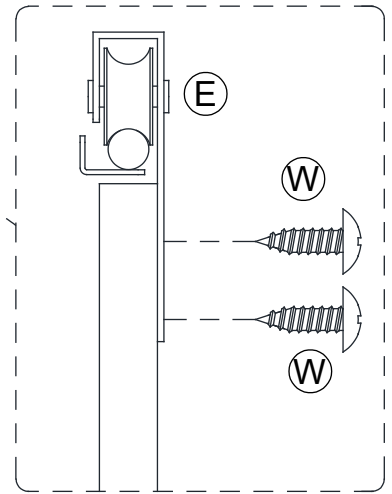
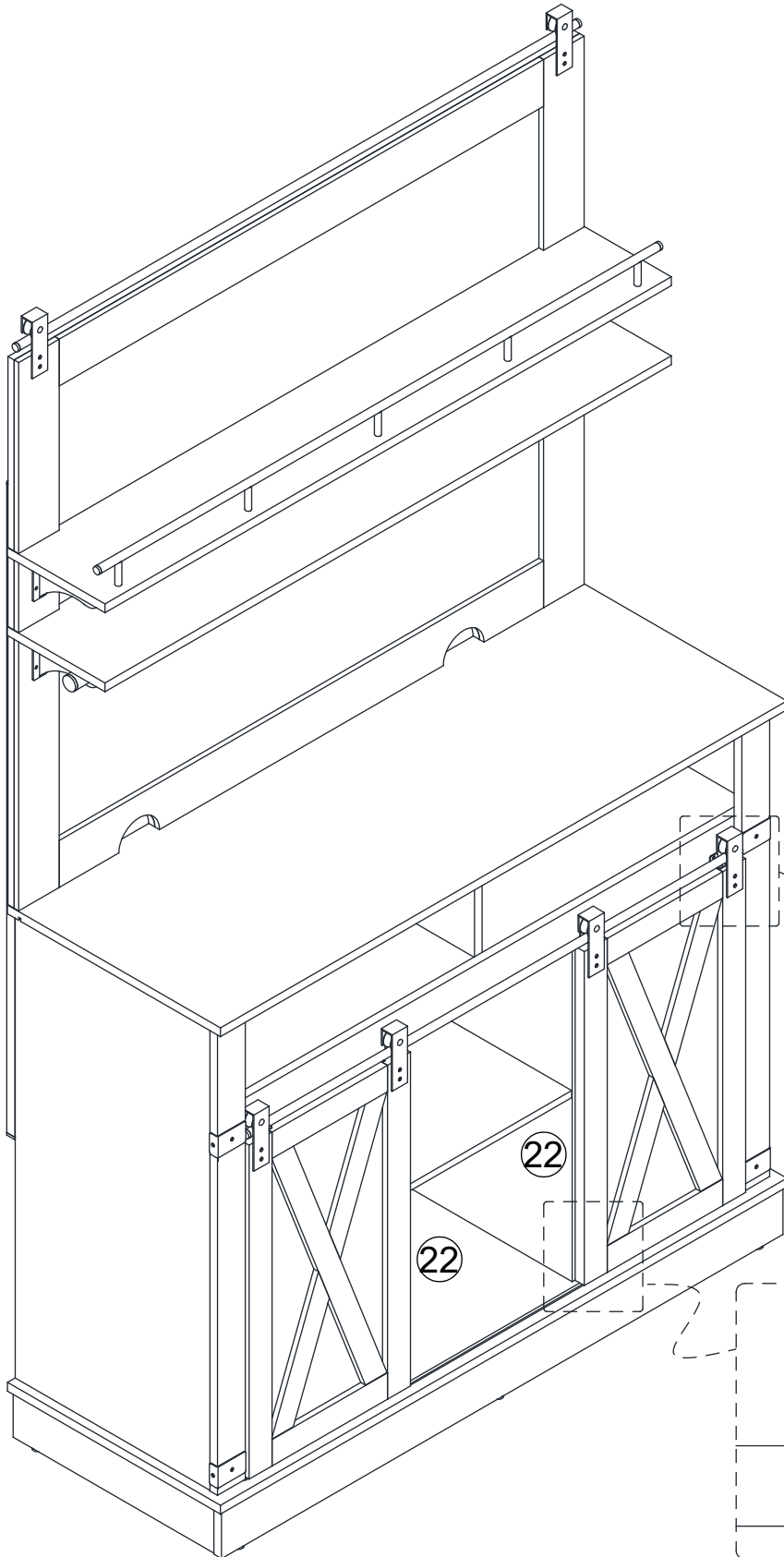
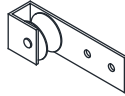


51

W x 8pcs

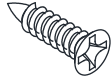


E x 4pcs

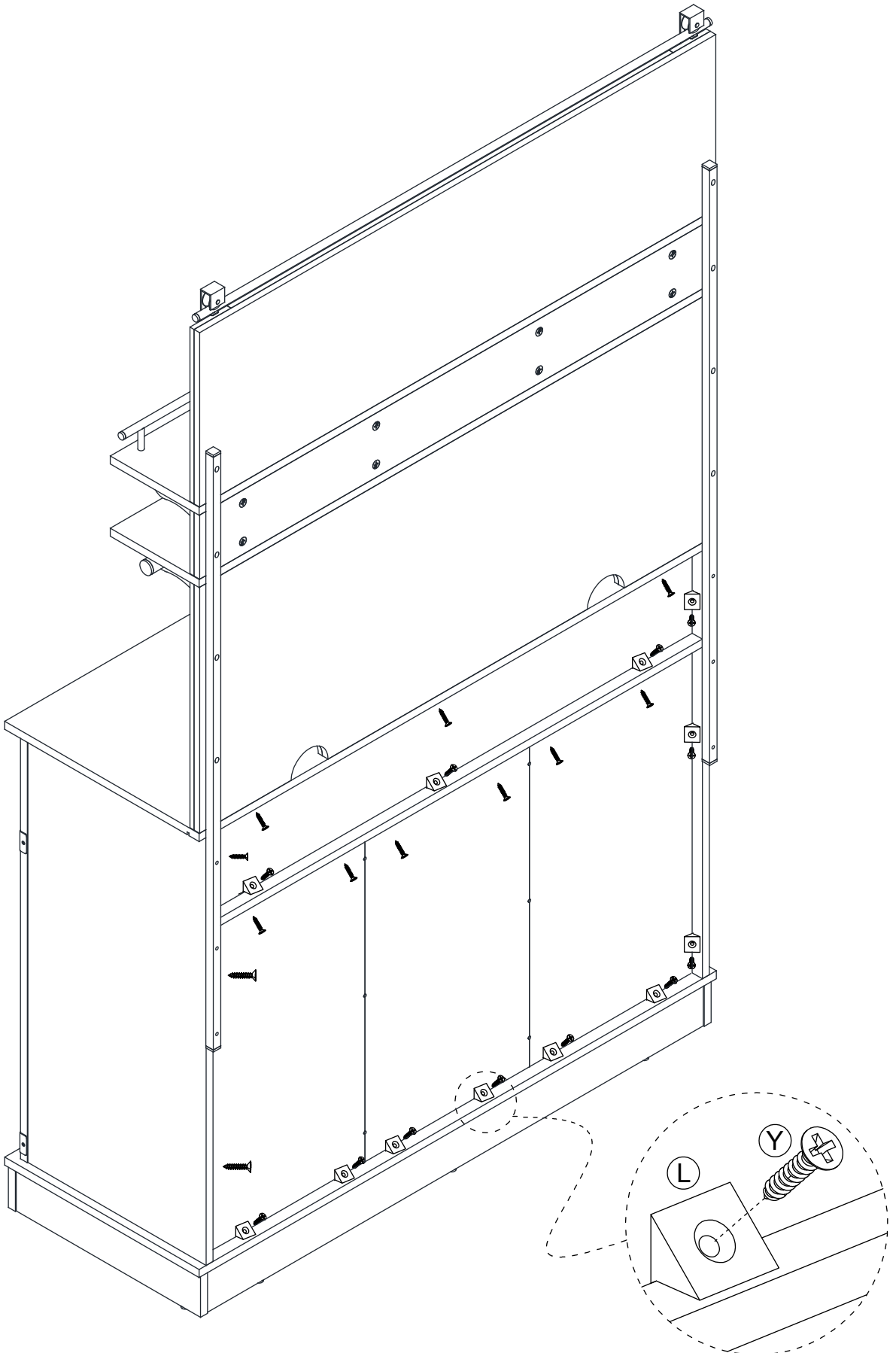
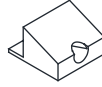


52

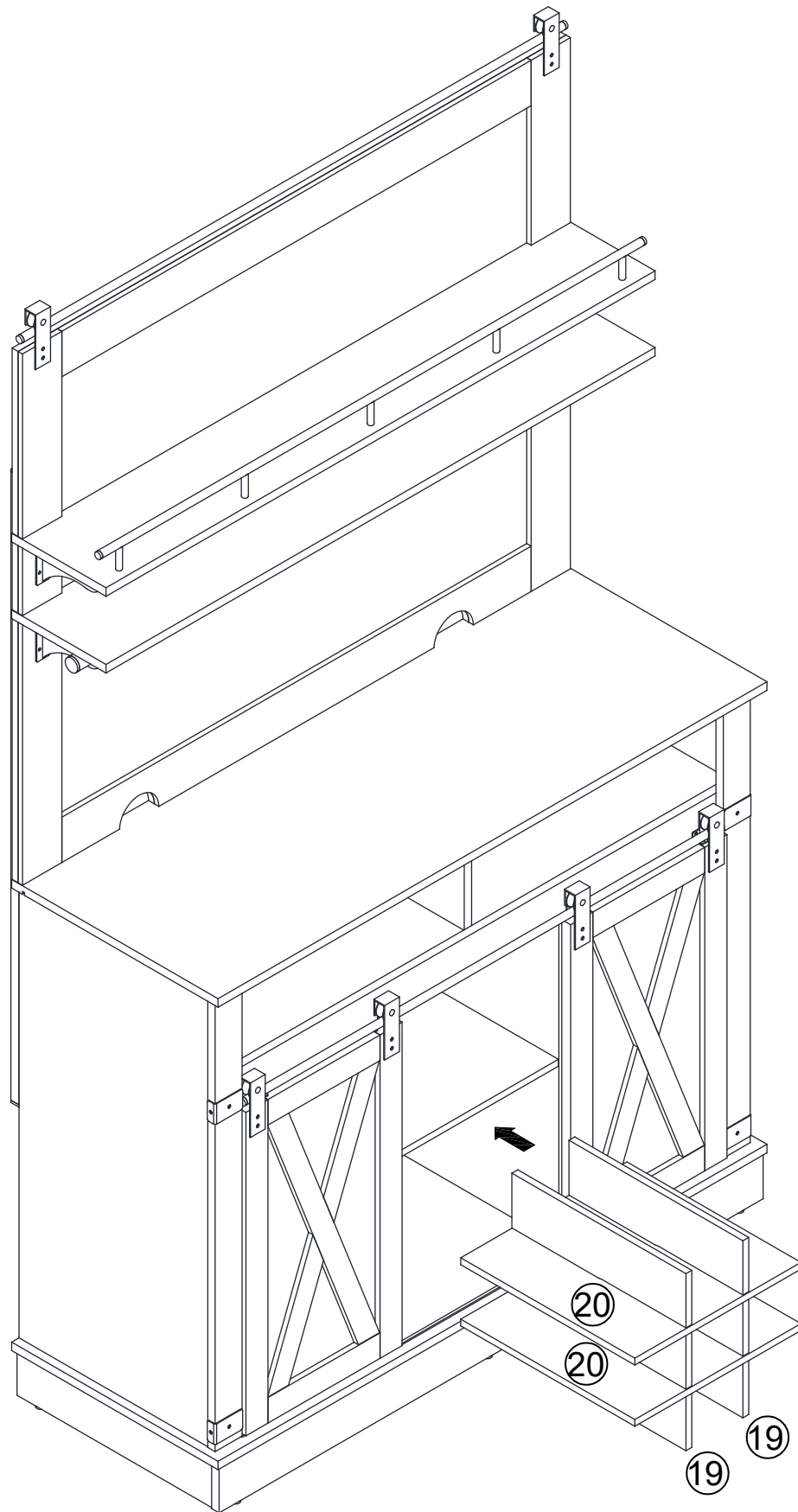
Ⓨ x 24pcs



Ⓛ x 24pcs

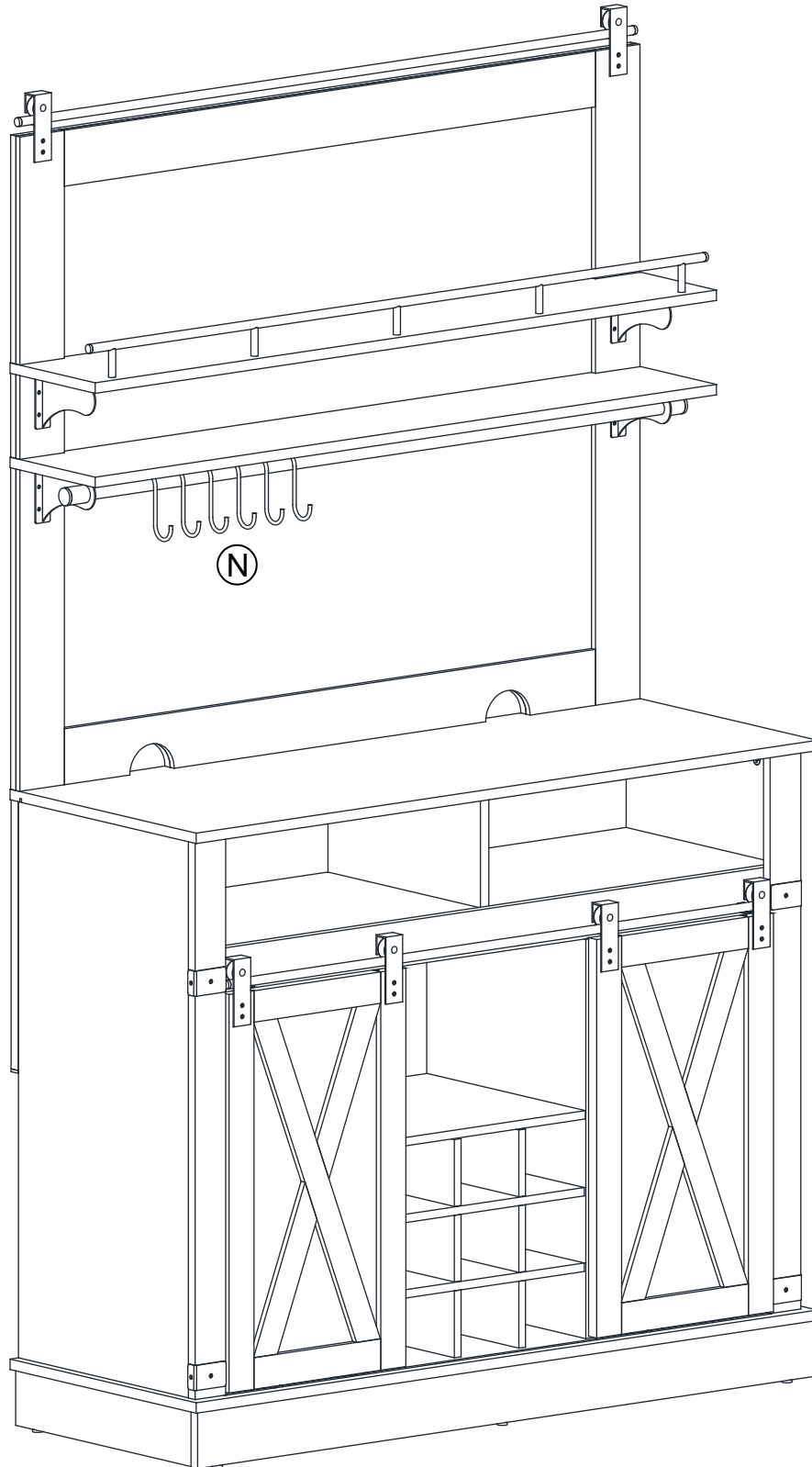


53



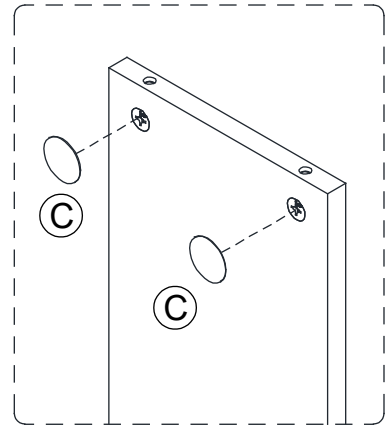
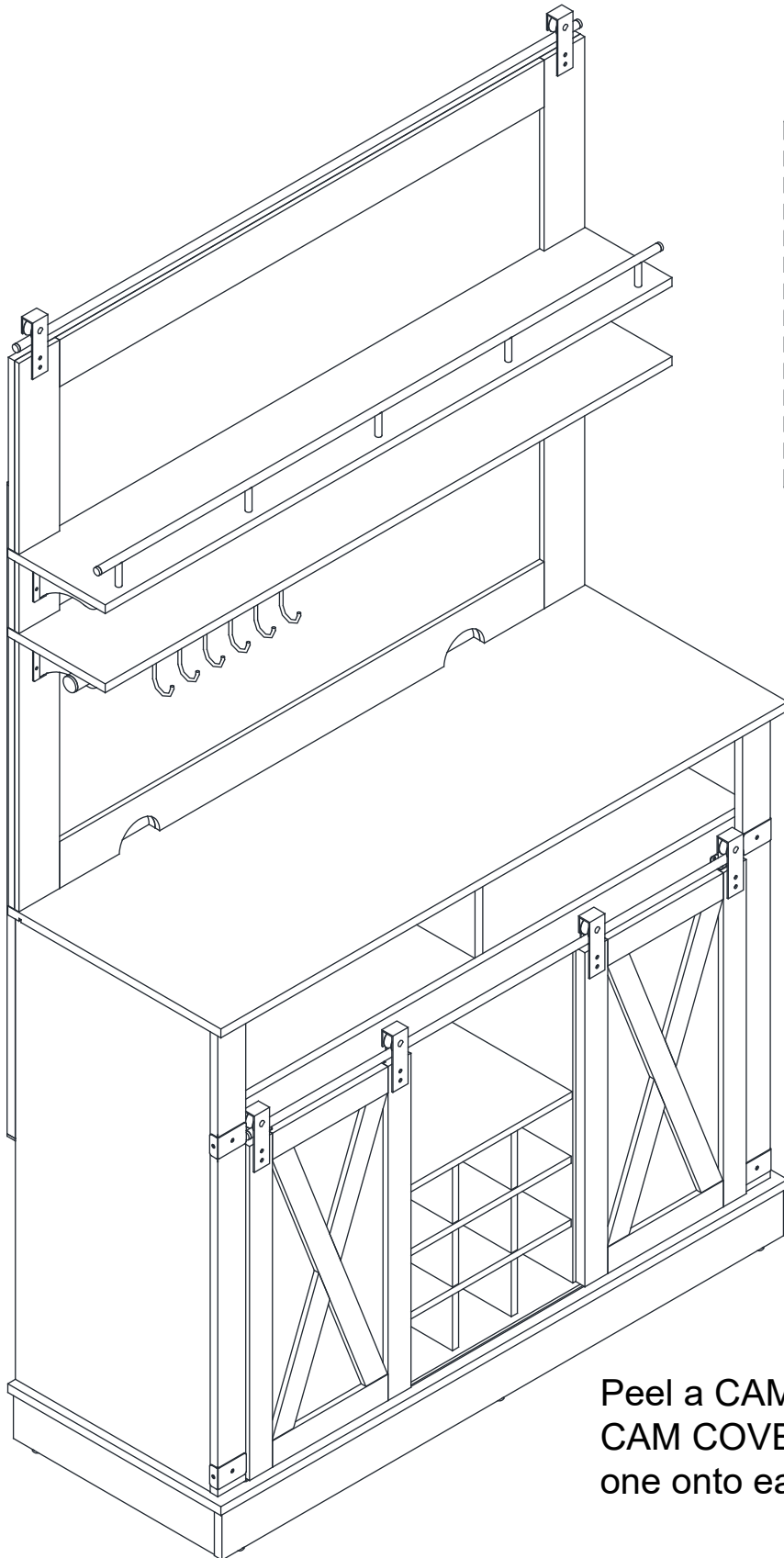
54

Ⓝ x 6pcs



55

Ⓢ x 52pcs



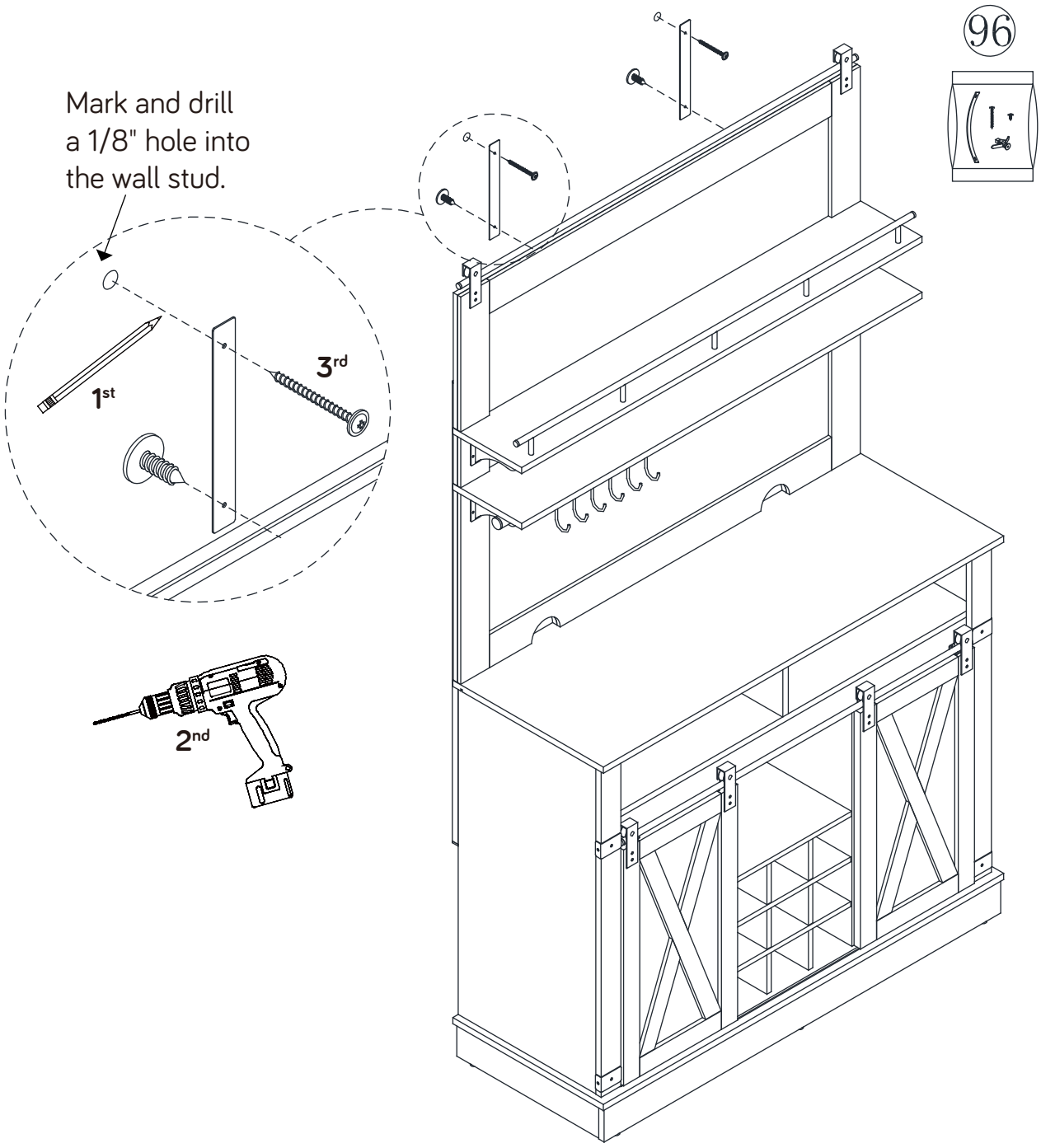
Peel a CAM COVER from the CAM COVER CARD and stick one onto each visible HIDDEN CAM.

56

Open the FURNITURE TIPPING RESTRAINT KIT (96) and fasten the SAFETY STRAP to the TOP (A). Use the SHORT SCREW through the hole in the strap and into the top surface of the TOP (1). Place your unit in its final location.

NOTE: The following instructions show your unit being fastened to a wall stud. If you are not fastening your unit wall stud, go to the next step now.

- 1st- Locate the center of a stud in your wall near your unit and mark it with a pencil.
- 2nd- Drill a 1/8" hole on the mark and into the stud in your wall.
- 3rd- Fasten the unit to the wall. Use the LONG SCREW through the other end of the SAFETY STRAP and into the 1/8" hole.



57

1st- With your pencil, strike a mark through the center of the hole in the SAFETY STRAP.

2nd- Drill a 3/8" hole on the mark.

3rd- While you squeeze the wings together, gently tap the WALL ANCHOR from the FURNITURE TIPPING RESTRAINT KIT (96) into the hole until it is even with the surface of the wall.

4th- Turn the LONG SCREW through the hole in the SAFETY STRAP and into the WALL ANCHOR.

NOTE: You will need to turn the LONG SCREW multiple turns to completely tighten and secure your unit.

