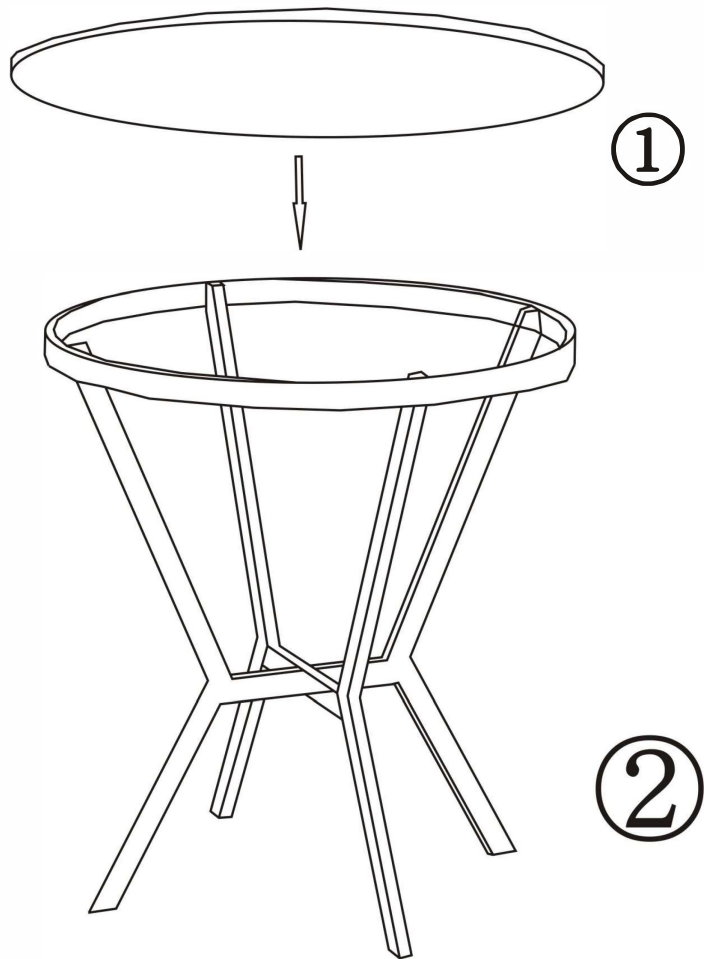
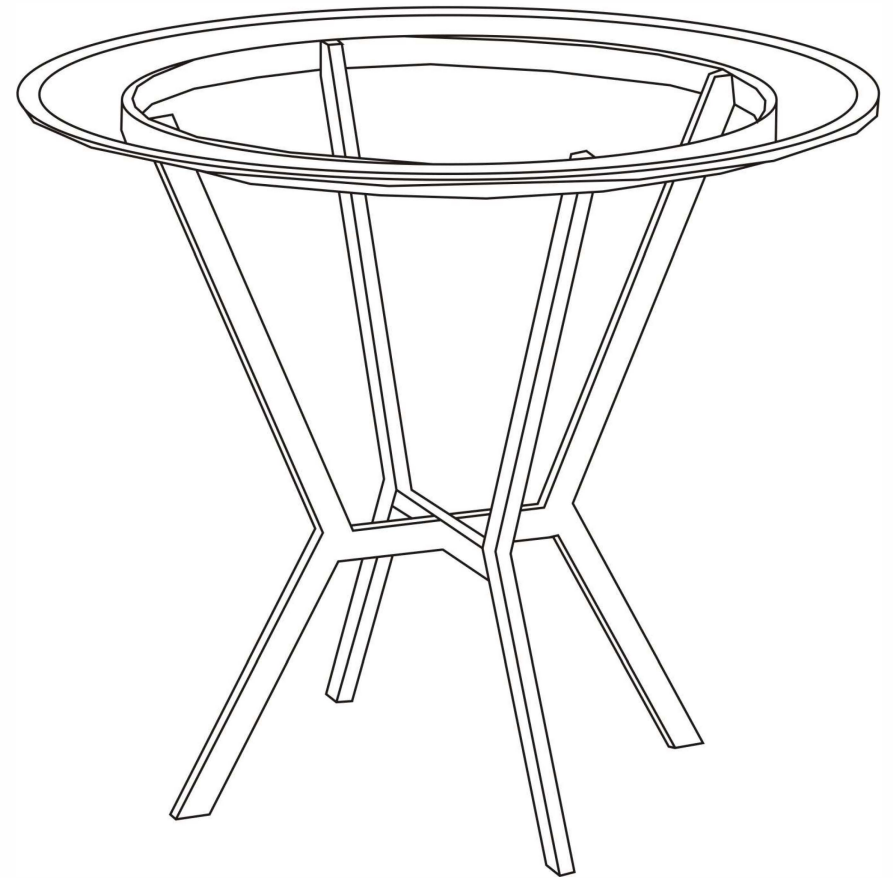
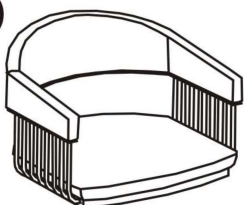
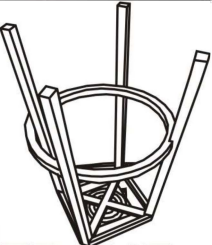






## STEP A

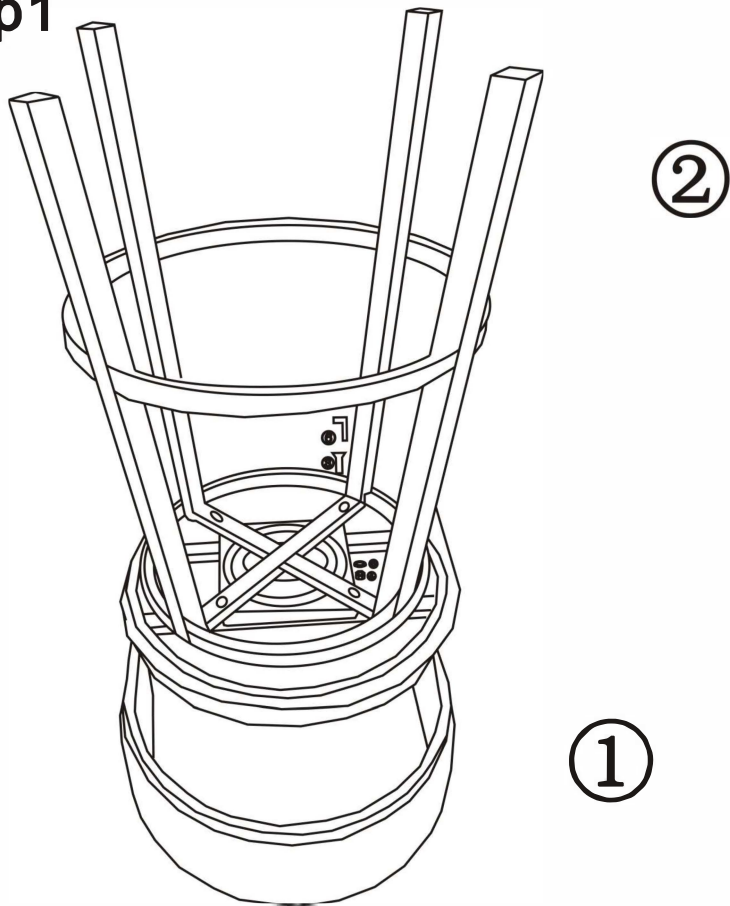


## STEP B



Instaling		Accessories			Tool			
①		②		③	④	⑤	⑥	
				SCREW	NUT	GASKET		ALLENKET
								
	<b>SEAT</b>	<b>FRAME</b>	<b>Size</b>	<b>M6*25</b>	<b>M6</b>	<b>Φ16*2*Φ8</b>	<b>Size</b>	<b>Φ4</b>
<b>Pcs</b>	<b>1</b>	<b>1</b>		<b>4</b>	<b>4</b>	<b>4</b>		<b>1</b>

Step1



Step2

