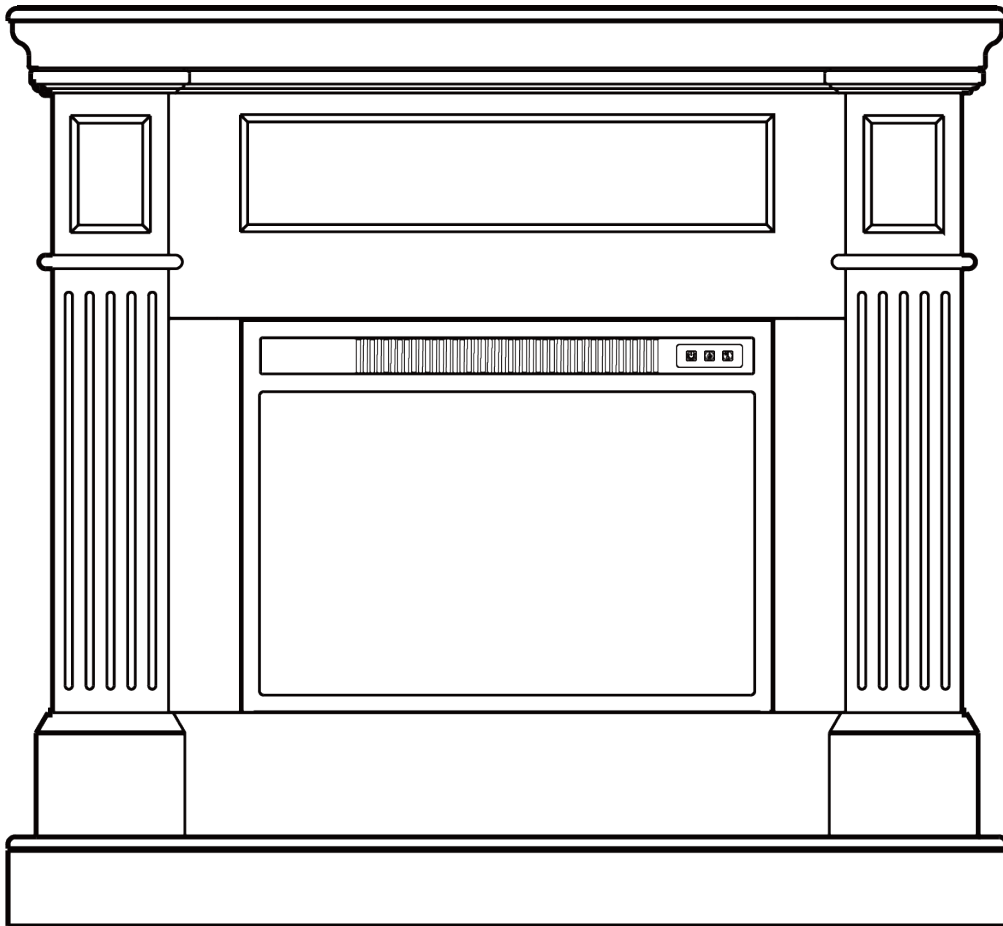


USE AND CARE GUIDE

COMBINATION ELECTRIC FIREPLACE/HEATER

C-AB-2430-43-WT1



For any case, please contact us at:

fireplace_service@hotmail.com

Table of Contents

Safety Information	1
Wood Frame Installation	2
Stove-Installation	5
Safety Cable Installation	7
Operation	8
Using the Remote Control	10
Care and Maintenance	11
Troubleshooting	12

HEATER DEFAULT SETTING:

The default factory setting for your thermostat is 72 degrees. If your room temperature is already 72 degrees or above, then your heater will shut off after about 3 minutes. Refer to the thermostat directions for easy steps on how to adjust the temperature settings to keep your heater on until your desired room temperature is reached.

Safety Information

IMPORTANT SAFETY INFORMATION

PLEASE READ ALL INFORMATION IN THIS OPERATING MANUAL, INCLUDING SAFETY, OPERATING, AND MAINTENANCE INSTRUCTIONS, TO AVOID THE POTENTIAL RISKS OF FIRE, ELECTRIC SHOCK, OR INJURY. USERS SHOULD FOLLOW THE DIRECTIONS AND WARNINGS IN THIS MANUAL.

1. Read all instructions before using this heater.
2. Do not use this heater outdoors.
3. This heater is not intended for use in bathrooms, laundry areas and similar indoor locations. Never locate the heater where it may fall into a bathtub or other water container.
4. Do not run the power cord under the carpet. Do not cover the power cord with throw rugs, runners, or the like. Arrange the power cord away from traffic areas and where it will not be tripped over.
5. To disconnect the heater, turn controls to off, then remove the plug from the outlet.
6. Connect to properly grounded outlets only. Avoid the use of an extension cord because the extension cord may overheat and cause a risk of fire. However, if you have to use an extension cord, the cord shall be with a minimum size of No. 14 AWG and rated not less than 1875 watts.
7. To prevent a possible fire, do not block firebox air intakes or the exhaust in any manner. Do not operate the firebox on soft surfaces, like a bed, where openings may become blocked.
8. There is a thermostat limiter inside the heater. When the inner temperature over heats or abnormal heating occurs, the thermostat protective device cuts off the power supply to avoid fireplace damaged or risk of fire.
9. Use this heater only as described in this manual. Any other use not recommended by the manufacturer may cause fire, electrical shock, or injury to persons.



WARNING: There are no user-serviceable parts inside the fireplace/heater. If the unit appears to malfunction, immediately turn it off, unplug it from the wall.



WARNING: This heater is hot when in use. To avoid burns, do not let bare skin touch hot surfaces. If provided, use handles when moving this heater. Keep combustible materials, such as furniture, pillows, bedding, papers, clothes, and curtains at least 3 feet (0.9 meters) away from the front of the heater and ensure they are kept away from the sides and rear.



WARNING: Extreme caution is necessary when using any heater near children or individuals with limited mobility. Additionally, exercise caution whenever the heater is left operating and unattended.



WARNING: Always unplug the heater when not in use.



WARNING: Do not operate any heater with a damaged cord or plug or after the heater malfunctions, has been dropped, or damaged in any manner. Should any of these occur, return the heater to an authorized service facility for examination, electrical or mechanical adjustment, or repair.



WARNING: Do not insert or allow foreign objects to enter any ventilation or exhaust openings, as this may cause an electric shock, fire, or damage to the heater.



WARNING: A heater contains hot and arcing or sparking parts inside. Do not use in areas where gasoline, paint, or flammable liquids are used or stored.



CAUTION: While the heater is in use, the top center of the fireplace can get hot to the touch and may cause severe injury or burns. Always supervise small children around the fireplace. Do not place any cloth or decorations over the heater outlet or otherwise obstruct the heater outlet of the fireplace, as this may cause a fire, and severe injury may result.

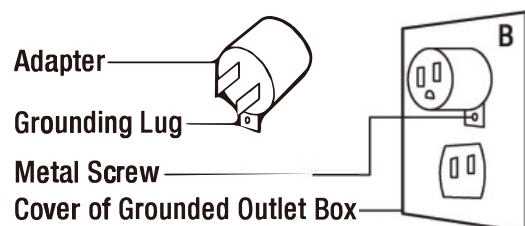
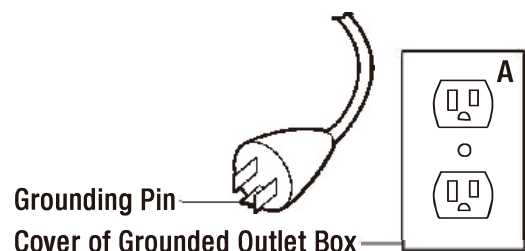
GROUNDING INSTRUCTIONS



DANGER: Improper connection of the equipment-grounding conductor can result in the risk of electric shock. If you are in doubt about whether the product is properly grounded, consult with a qualified electrician or serviceman. Do not modify the plug provided with the product. If it does not fit the outlet, have a proper outlet installed by a qualified electrician.

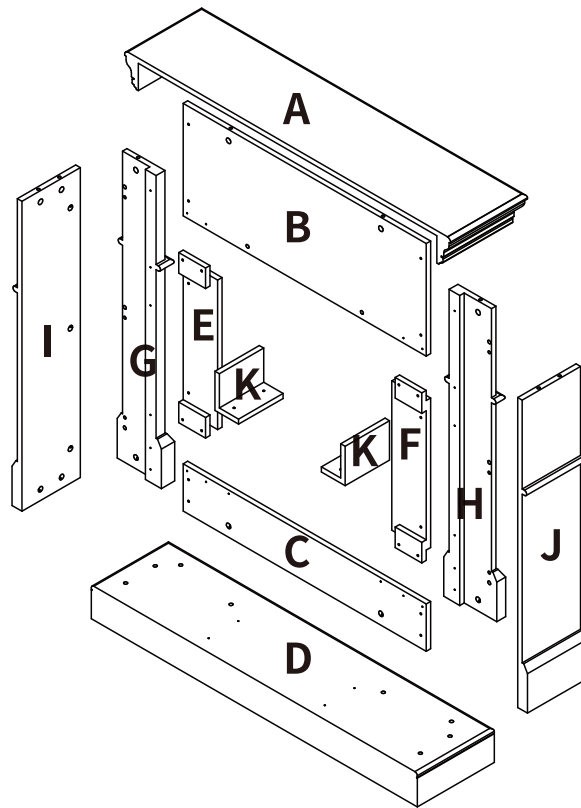
This product must be grounded. In the event of malfunction or breakdown, grounding provides a path of least resistance for electric current, reducing the risk of electric shock. The product is equipped with a cord featuring an equipment-grounding conductor and a grounding plug. Ensure that the plug is connected to an appropriate outlet that is properly installed and grounded in accordance with all local codes and ordinances.

This heater is designed for use on 120-volt circuits and comes with a grounded plug. If you need to connect it to a two-slot receptacle, an adapter is available from your local electronics store or online supplier. When using the adapter, connect the green grounding lug extending from it to a permanent ground, such as a properly grounded outlet box. However, if a three-slot grounded receptacle is available, do not use the adapter.




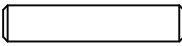


Wood Frame Installation

PARTS LIST

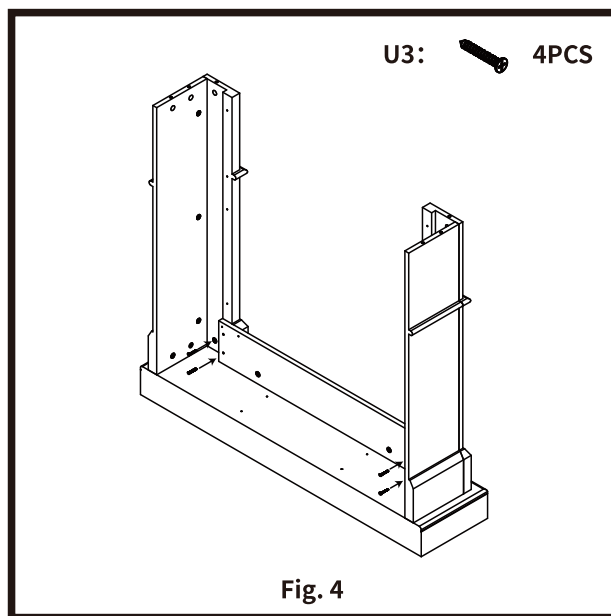
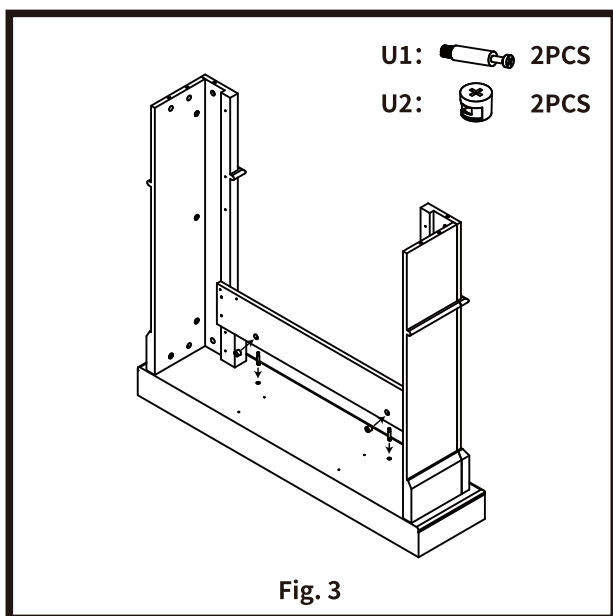
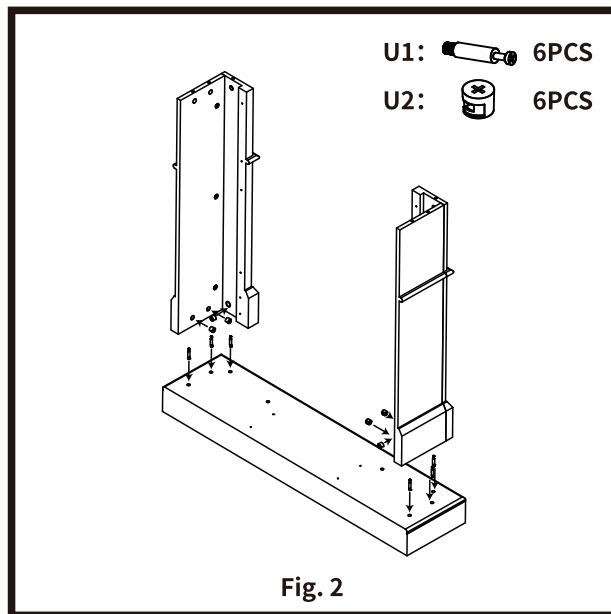
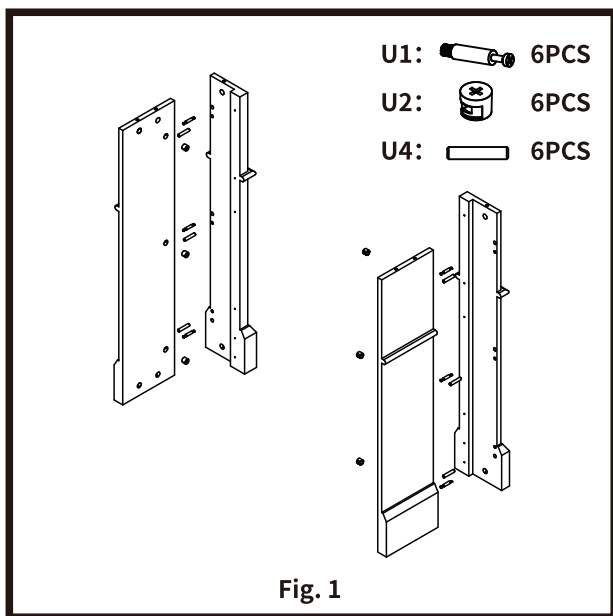


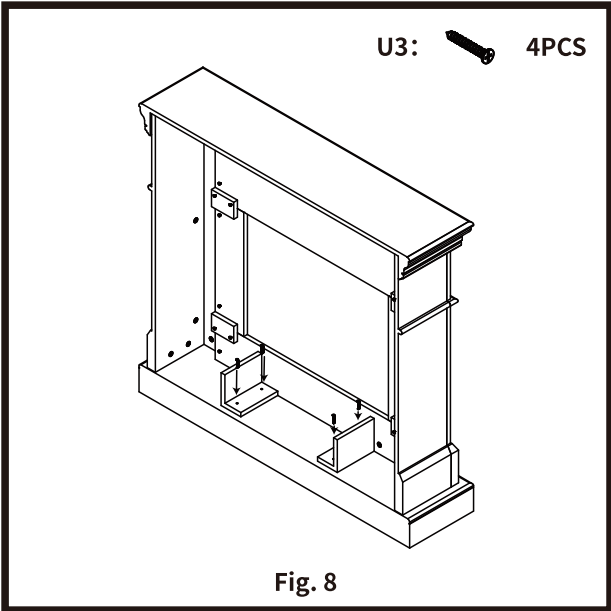
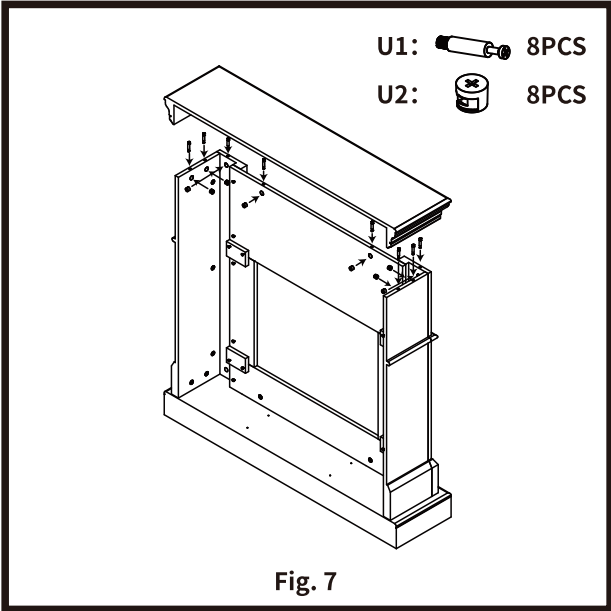
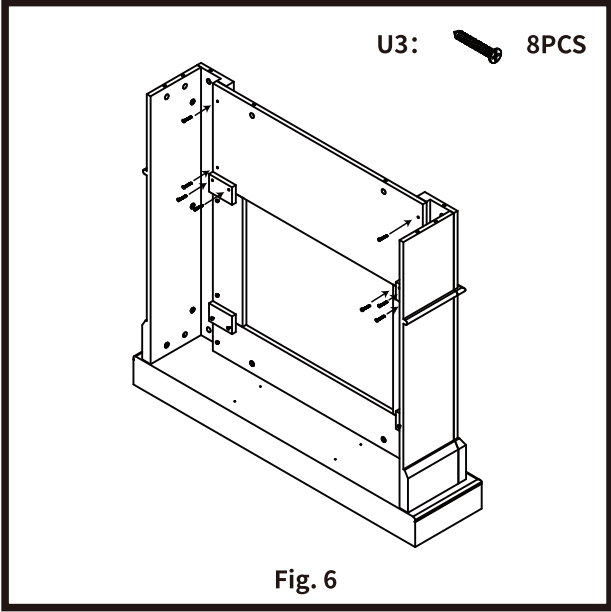
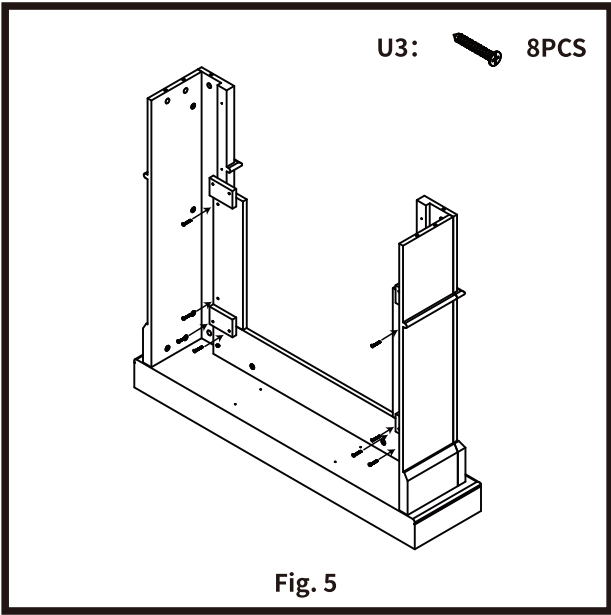
HARDWARE

REF NO	DESCRIPTION	QTY
U1		22+1 PCS
U2		22+1 PCS
U3		24+1 PCS
U4		6+1 PCS

MANTEL ASSEMBLY

CAUTION: To prevent scratches on the decorative surface of your mantel during assembly, use a piece of cardboard or a protective sheet on the floor.





Stove-Installation


ELECTRICAL SPECIFICATIONS

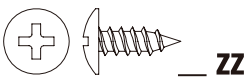
- **Voltage:** 120 V AC, 60 Hz
- **Watts:** 1400 Watts

TOOLS REQUIRED



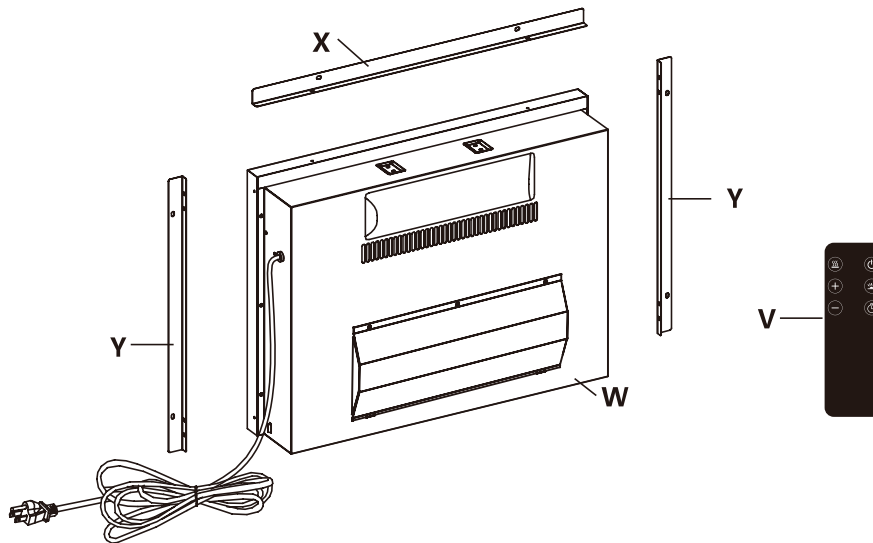
HARDWARE INCLUDED

 **NOTE:** Hardware not shown to actual size.



Part	Description	Quantity
ZZ	Screw	12 + 3 extra

PACKAGE CONTENTS



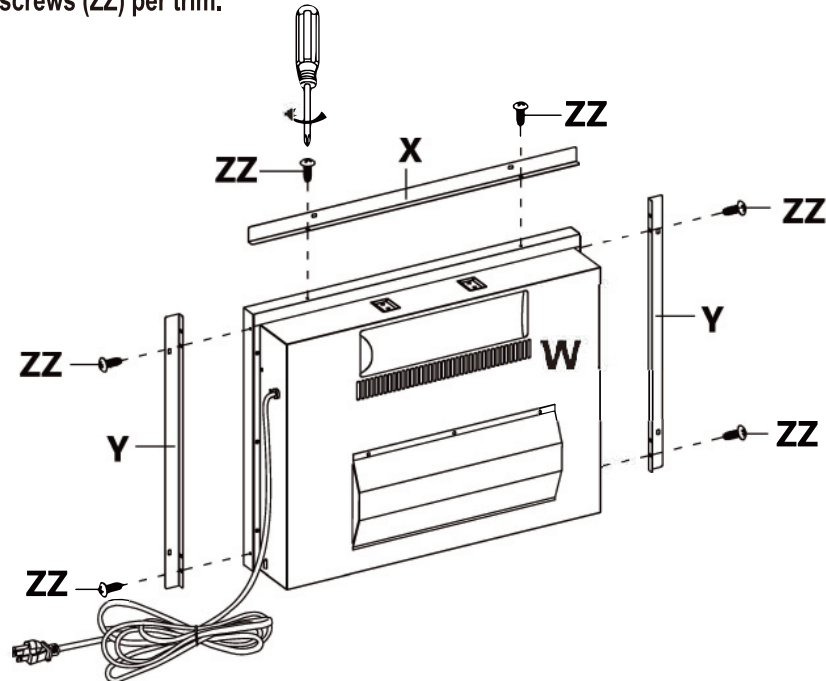
Part	Description	Quantity
V	Remote Control with Battery	1
W	Fireplace Insert	1
X	Top Trim	1
Y	Side Trim	2

 **CAUTION:** The front panel of this insert is made of GLASS! ALWAYS handle glass with extreme caution. Failure to do so could result in personal injury or property damage.

Assembly

1 Attaching the Metal Trims

- Secure the top trim (X) to the fireplace insert's top (W) using two screws (ZZ). Ensure the right-angle side faces the front of the unit.
- Align and attach two side trims (Y) on both sides of the fireplace insert (W) with the right-angle side towards the front. Use two screws (ZZ) per trim.

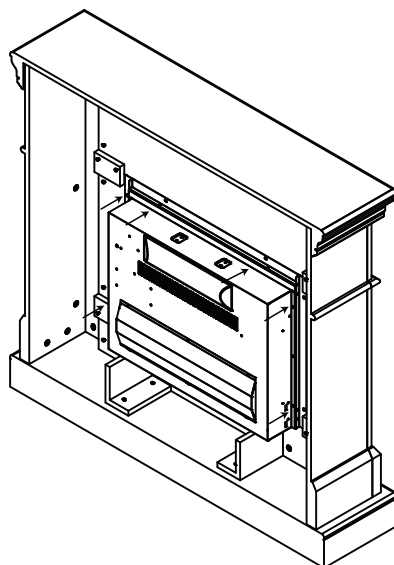


2 Installing the Fireplace Insert





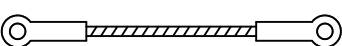
- Gently place the fireplace insert (W) into the back of the mantel, ensuring it is centered in the opening. Take care to avoid scratching the wood.
- Verify the alignment and secure the fireplace insert (W) to the mantel by inserting screws (ZZ) through the drilled holes on the trims (X and Y). Use a Phillips screwdriver to firmly screw them into place.



Note: Do not attempt to install the insert from the front of the mantel, as it will not fit.



Safety Cable Installation

REF NO	DESCRIPTION	QTY
Wall anchor		1 PC
Screw for wall anchor		1 PC
Washer		2 PCS
Screw for mantel		1 PC
Safety cable		1 PC

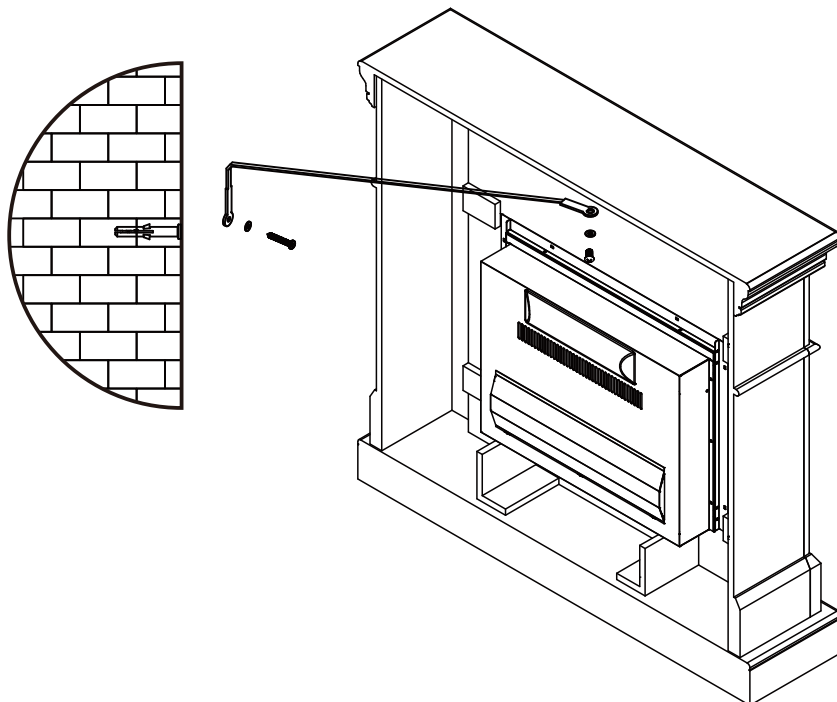
Securing the Fireplace

To enhance safety and minimize the risk of accidental tipping, it is highly recommended to use a wall anchor safety cable. Please follow these steps:

- 1. Prepare the Wall** Drill a 5/16 in (8mm) hole in the wall. Insert the plastic wall anchor into the hole and gently tap until the flange is flush against the wall.
- 2. Position the Mantel** Place the back edge of the mantel close to the wall.
- 3. Attach the Safety Cable** Securely fasten one end of the safety cable to the mantel using the provided screw.
- 4. Secure to the Wall** Use the screw designed for the wall to attach the other end of the safety cable.
- 5. Ensure Tightness** Confirm that all screws are securely tightened.

Warning

This safety cable can reduce the risk of injury if the fireplace is mishandled, but it is not a substitute for proper adult supervision. Never leave children unattended near any heater.



Operation

3 Identifying the Control Panel

The control panel is situated on the top right corner of the fireplace/heater unit. It includes the following components:

Display Unit (1): This unit provides information about the flame level, timer, and current temperature.

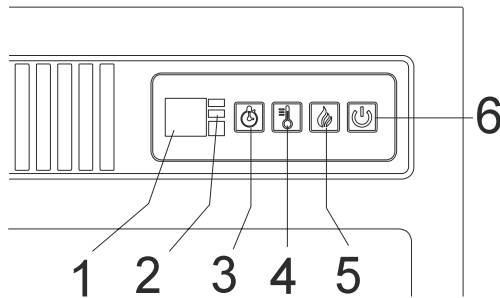
Function Indicator (2): Indicates the current operational status.

Timer Function (3): Allows you to set and control the timer.

Heater Control (4): Regulates the heating function.

Flames Control (5): Adjusts the appearance of the flames.

Main Power (6): Controls the main power supply.



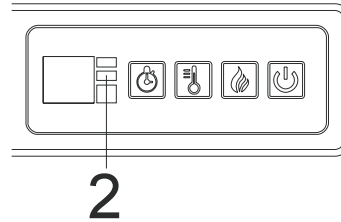
4 Understanding the Function Indicator

The function indicator (2) is equipped with three LEDs: red, green, and blue. Each LED signifies a specific function:

- 1.Red LED: Indicates the activation of the Fahrenheit temperature heating function.
- 2.Green LED: Signals the operation of the Celsius temperature heating function.
- 3.Blue LED: Indicates engagement of the timer function.

Located beneath these LEDs is the infrared receiver module, which facilitates communication with the remote control to regulate the heater.

This adjustment provides a clear breakdown of the indicator's functions and their corresponding LEDs.



5 Using the Timer Function

The timer button (3) allows you to set the duration for which the fireplace/heater will run. This button (3) controls both the flames and the heater function. Here's how it operates:

If the heater is currently running when the timer is set, the heater will be on the timer.

If the flames are operating, the timer will control the flames.

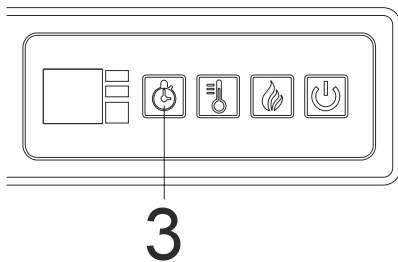
If both the heater and flames are running with the timer set, the timer controls both the flames and the heater.

To set the timer, press the button in sequence to choose your desired interval. The set interval is displayed in the display unit (1), and the blue LED light turns on, indicating that the timer function is engaged. The set intervals are provided in the table below. After selecting your preferred interval and releasing the button, the timer starts. Note that the display and blue light will turn off after a few seconds.

It's important to note that there is no clock function for scheduling the heater or flames to turn on or off at specific times.

Breaking down the information into smaller sections makes it more digestible for users.

Button Press	Timer Interval	Display
1st press	30 Minutes	30
2nd press	1 Hour	1h
3rd press	2 Hours	2h
4th press	3 Hours	3h
5th press	4 Hours	4h
6th press	5 Hours	5h
7th press	6 Hours	6h
8th press	OFF	None

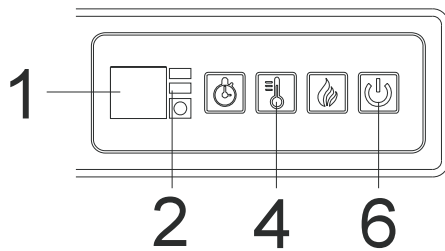


6 Using the Heater Control



NOTE: The heater default temperature is set to 72 degrees Fahrenheit. If your ambient room temperature is above 72 degrees, then your heater will automatically shut off after a few minutes. Adjust your heater thermostat (see below) to a higher temperature to keep your heater ON above 72 degrees.

- Pressing the heater button (4) will turn on or off the heat function. There is no speed setting for the heater blower. If you turn off the heater by the main power button (6), the unit will hold the temperature setting in memory. When the power is turned back on, the heater will turn on at the same setting.
- **To convert from Fahrenheit to Celsius:** With the heater on, press and release the heater button (4) so that the display (1) and LED function indicator (2) lights turn on (if they are not already on). Then gently press and hold the main power button (6) for five seconds to enter temperature converting mode. The LED indicator flashes several times in red color, then changes to green. Green indicates Celsius mode, and Red indicates Fahrenheit mode. In this converting mode, the display (1) flashes (interval is 0.5 seconds). Repeat the same process to convert Celsius temperature into Fahrenheit temperature.
- **To set the thermostat temperature:** Turn on the heater, then press and hold the heater button (4) for five seconds to enter temperature adjustment mode. The LED function indicator (2) is red if using Fahrenheit and green if using Celsius. In adjustment mode, the display (1) flashes (interval is 0.5 second). The temperature setting range is between 62° - 82° - ON (17° -27°C -ON). Now in adjustment mode, press the heater button multiple times until you reach your preferred temperature setting. After you release the heater button, your preferred temperature will be flashing. Once it stops flashing, and the display goes dark, then the thermostat will be set at your preferred temperature (and kept in memory).



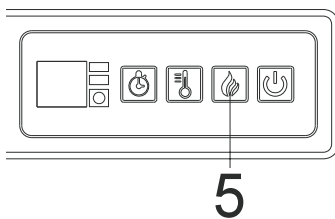
7 Using the flame control

- Press the flame button (5) to set the flames for different levels of flame brightness. These flame levels are shown in the display (1). The flame settings are as follows:

Button Press	Flame Level	Display Value	Fireplace Appearance
1st press	High	L3	Flames Highest, Ember Bed Glow Highest
2nd press	Medium	L2	Flames Medium, Ember Bed Glow Medium
3rd press	Low	L1	Flames Low, Ember Bed Glow Low
4th press	All Off	None	Flames Off, Ember Bed Off

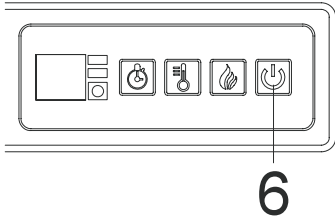
When the heat is on, the 4th press is not valid.

- Regardless of the previous flame setting, when powered off by the main power button (6), the flames will come on in L3 mode (High) when you turn the heater on.



8 Using the main power button

- Press the power button (6) to turn the fireplace/heater unit on and off. Press the power button (6) once to turn the unit on. Press again to turn the unit off.

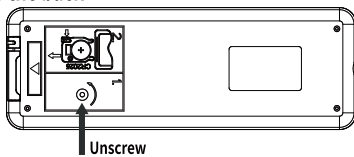


Using the Remote Control

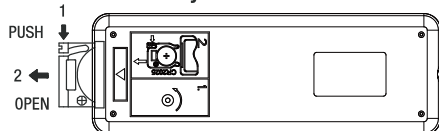
1 Installing the Battery

The battery is supplied with the remote control. The first thing to do with the remote control is to remove the plastic sheet insulate the battery. For replacement battery, use lithium-based CR2025 battery. Please follow the sequence below to replace the battery.

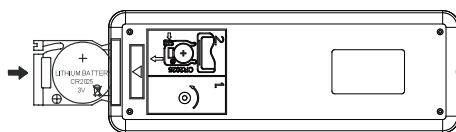
- **Unscrew the back**



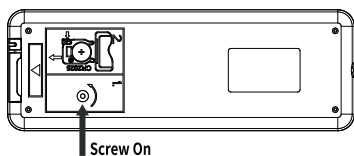
- **Take out the battery bracket.**



- Insert the battery with the button side into the battery bracket, making sure the battery is firmly seated.
- Press the battery bracket into the remote control, making sure it snaps into position.



- **Screw the screw back on.**



- Turn the remote over and aim it towards the fireplace/heater unit.
- Press the power button on the upper right, and see if the flames on the fireplace/heater turn on or off.
- If nothing appears to happen, check to make sure the battery is installed correctly, and try again.

⚠ WARNING: Do not ingest batteries.

1. Non-rechargeable batteries are not to be recharged.
2. Batteries are to be inserted with the correct polarity.
3. Exhausted batteries are to be removed from the product.
4. Always purchase the correct size and grade of battery most suitable for the intended use.
5. Clean the battery contacts and those of the device prior to battery installation.
6. Remove batteries from equipment when not used for an extended period of time.



NOTE:
Battery disposal
Please always dispose of batteries
at a suitable recycling point.

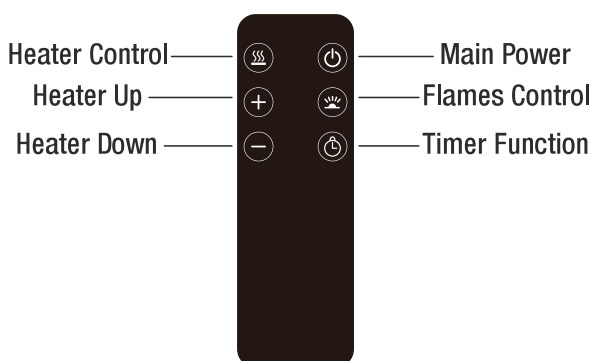


2 Using the remote control

- The operation of the remote control buttons works the same as the buttons on the front panel of the fireplace/heater. Review the operation section for more information on the functionality of these buttons.



NOTE: The remote control cannot lock/unlock the flame and heating function, and it cannot switch between Fahrenheit and Celsius.



Care and Maintenance



WARNING: Always disconnect from the power supply before cleaning the heater. First turn off the main power. Then remove the electrical plug from the wall outlet.



WARNING: Do not use this fireplace insert if any part of it has been under water. Immediately call a qualified service technician to inspect the firebox and replace any part of the electrical system which has been under water.

The blower motor and flame motor are pre-lubricated for a durable using time and need no further lubrication or maintenance. To remove any accumulation of dust or debris, the soft brush attachment of a vacuum cleaner should occasionally be used to clean the outlet grille of the fan heater.

- Use a soft, clean cloth that will not scratch the surface when dusting.
- Use a clean soft cloth dampened with warm water to clean the fireplace surface. DO NOT use household or abrasive cleaners, as these products may damage the surface.
- When cleaning the glass viewing screen use a non-abrasive damp cloth with liquid cleaner or soft soap if necessary; DO NOT use cleaning powders or any other substance with abrasives since these substances will scratch glass.
- Under no circumstances should this product be operated with a broken or chipped glass panel.
- Do not strike or slam the glass.
- If your appliance is stained or otherwise damaged during use, we recommend that you call a professional to repair it.
- When not in use please unplug the cord from the outlet to prevent any damage or accidents.

Troubleshooting

Problem	Solution
<p>Fireplace stopped heating. There are flames, but the heater automatically keeps shutting itself off after a few minutes.</p>	<ul style="list-style-type: none"> □ Set fireplace to a higher temperature or "always on". □ Turn on the Heater, then press and hold the Heater button for at least 5 seconds to enter Temperature Adjustment Mode. The LED display will start to flash, then press the Heater button repeatedly until you reach your desired temperature setting. (See "Using the Heater Control" in the OPERATION section of this Guide for more details). □ NOTE: your heater thermostat default temperature setting is 72 degrees Fahrenheit. If your room temperature is above 72 degrees, your heater will shut itself off, unless you adjust your heater thermostat to a higher temperature setting. □ Note that temperature around fireplace may be a few degrees higher than other areas in the room.
<p>Remote control is not working.</p>	<ul style="list-style-type: none"> □ Change the remote battery. □ Operate remote transmitter at a slow measured pace. Press the remote control buttons with an even motion and gentle pressure. □ Repeatedly pressing buttons in rapid succession may cause the transmitter to malfunction. □ Stand closer to your fireplace. □ Remove objects that may block your remote control's ability to communicate with your fireplace.
<p>The unit does not turn on.</p>	<ul style="list-style-type: none"> □ Check that the unit is fully plugged into a standard 120 V outlet. □ Press the Power button on the control panel.
<p>Using the fireplace with the heater ON causes a trip in my power circuit.</p>	<ul style="list-style-type: none"> □ Fireplace is not to be used with a power strip or extension cord. Make sure your unit is plugged by itself into a standard qualifying wall outlet that is properly grounded.
<p>The display unit on the control panel shows error code "EE".</p>	<ul style="list-style-type: none"> □ Your thermistor sensor is loose or cut off. □ Do not return to store. □ Please email us or call our Toll Free # for a replacement Insert.