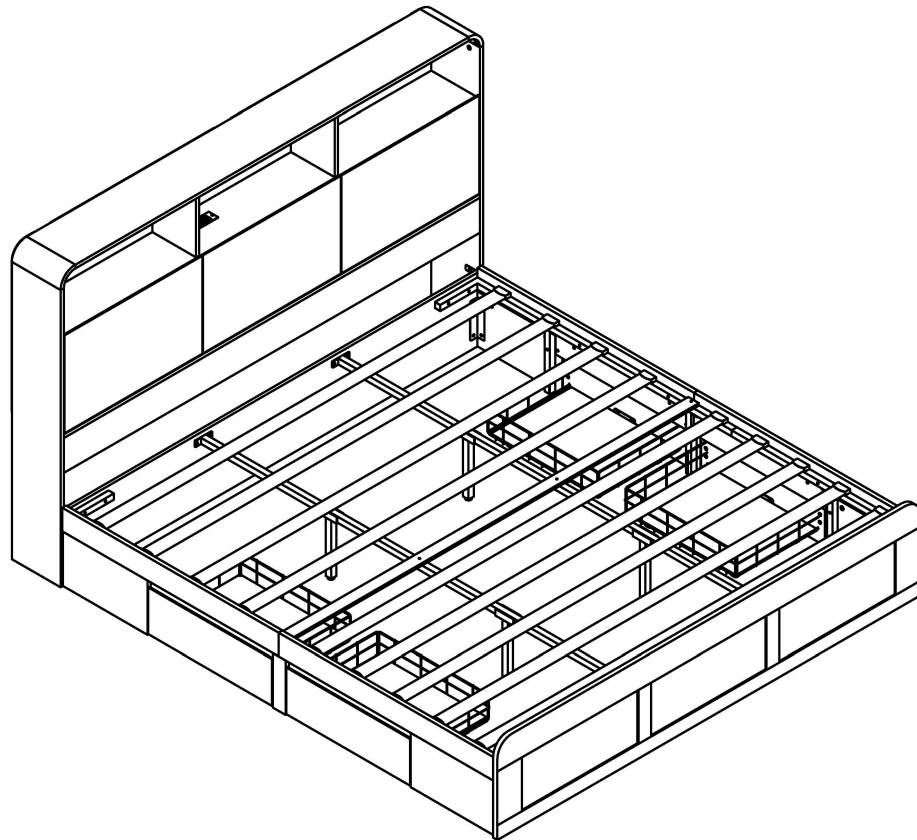
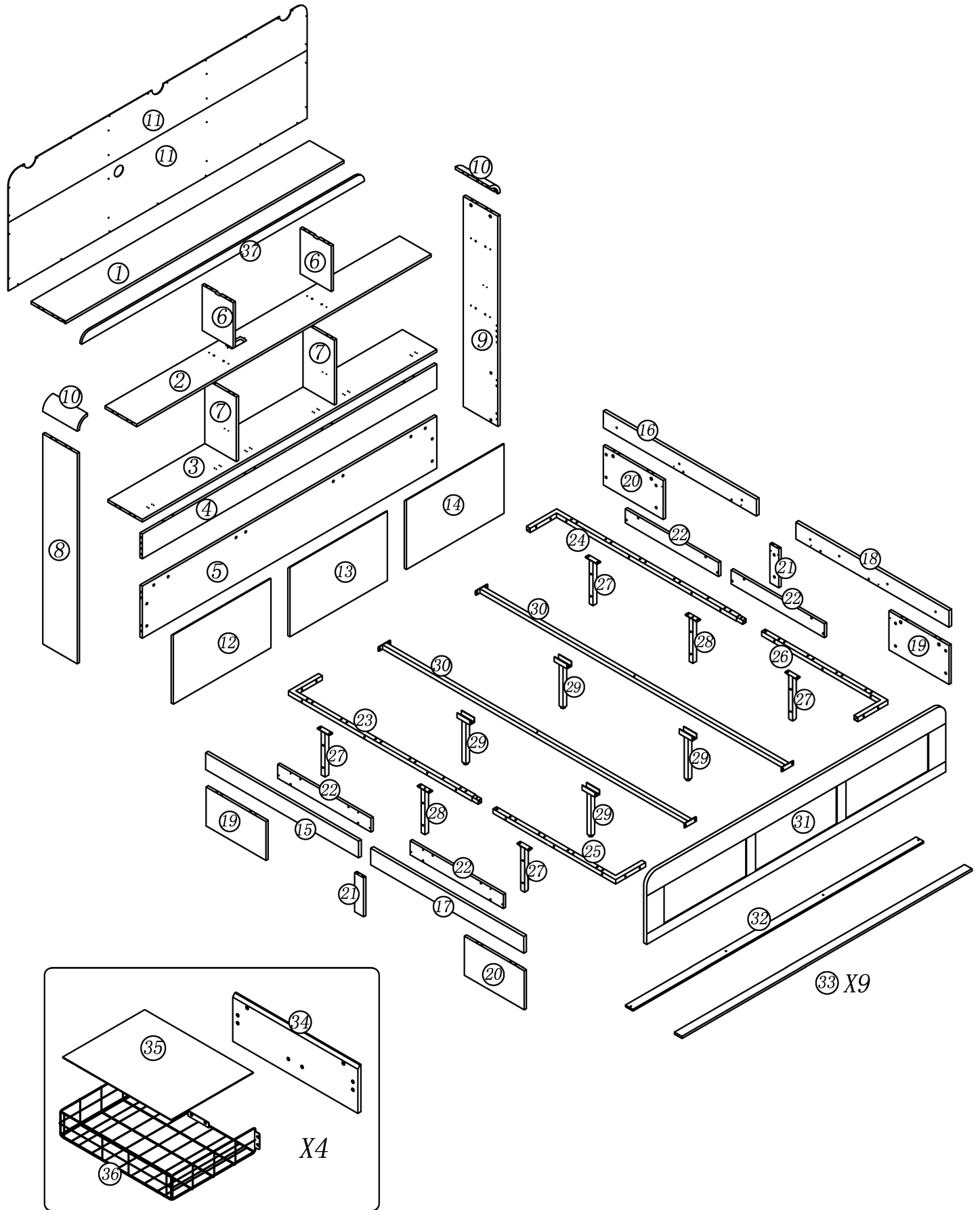




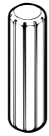


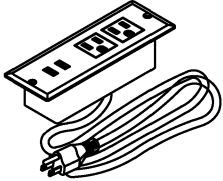
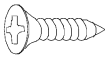
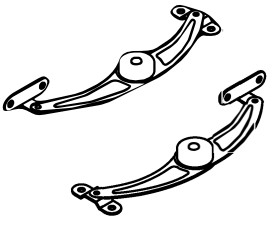
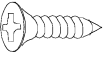

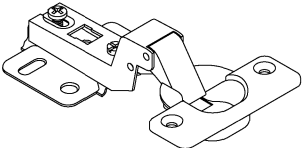
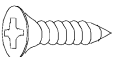
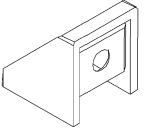
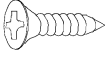

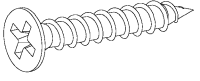
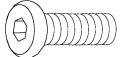
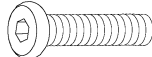
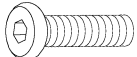
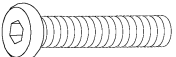
ASSEMBLY INSTRUCTIONS



PACKAGE INCLUDE



PACKAGE CONTENT

<p>Ø6x35MM</p>  <p>(A) 52x+2</p>	<p>Ø15x11MM</p>  <p>(B) 52x+2</p>	<p>Ø8x30MM</p>  <p>(C) 56x+2</p>	<p>Ø8x25MM</p>  <p>(D) 8x+1</p>
<p>Ø25MM</p>  <p>(E) 20x+2</p>	 <p>(F) 1x</p>	<p>Ø3x12MM</p>  <p>(G) 2x</p>	 <p>(H) 3x</p>
<p>Ø3x12MM</p>  <p>(J) 24x+2</p>	<p>Ø10x2MM</p>  <p>(K) 6x</p>	<p>Ø35MM</p>  <p>(L) 6x</p>	<p>Ø3.5x14MM</p>  <p>(M) 36x+2</p>
<p>20x20MM</p>  <p>(N) 6x</p>	<p>Ø3.5x12MM</p>  <p>(O) 12x+1</p>	<p>Ø3x15MM</p>  <p>(P) 33x+2</p>	<p>Ø4x25MM</p>  <p>(Q) 16x+1</p>
<p>M6x12MM</p>  <p>● 78x+2</p>	<p>M6x35MM</p>  <p>● 34x+2</p>	<p>M6x20MM</p>  <p>● 2x</p>	<p>M6x45MM</p>  <p>● 2x</p>

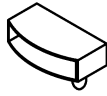
PACKAGE CONTENT

4MM

56*30*30MM

160*35*35*2MM

50*35*35*2MM



V

1x

W

18x+1

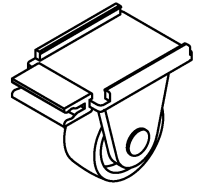
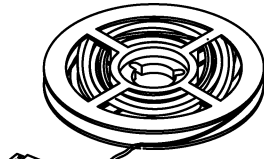
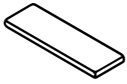
X

4x

Y

4x

48*15*3MM



Z

20x+2

1x

1x

7x

AA

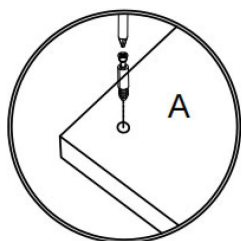


7x

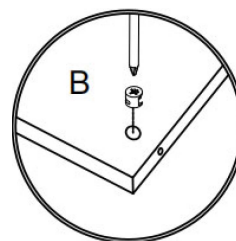
AB

16x

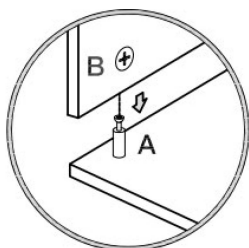
How to use the cam lock system



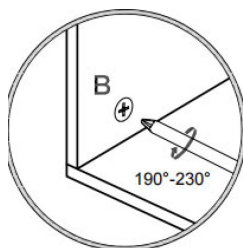
1. Screw cam bolt into panel



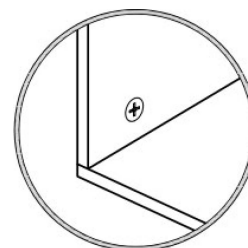
2. Push cam into panel - arrow feature on cam top points to panel edge



3. Align cam bolt(s) with cam(s) and insert all the way into cross-bored hole(s)

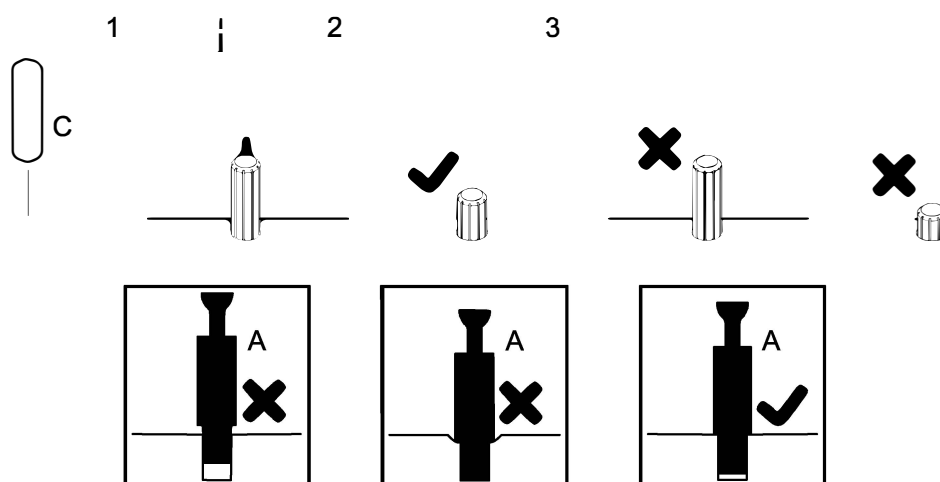


4. Rotate cam(s) clockwise 190°-230° to lock panels together



5. Panels should be tight against each other and connection should be rigid

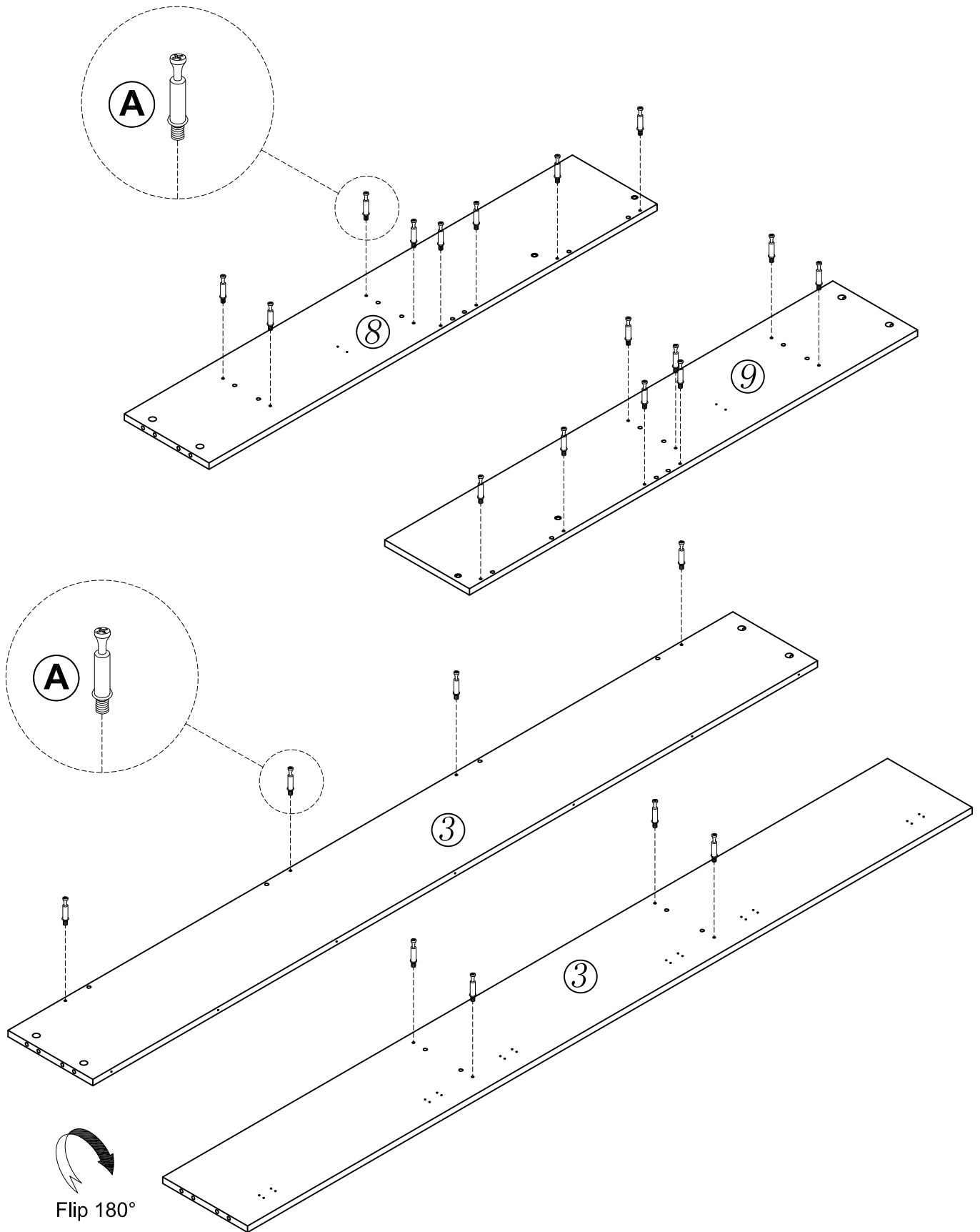
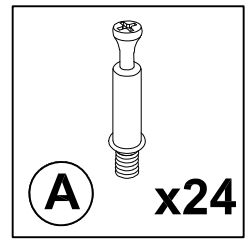
Insert the wood dowel (C) at least half way by tapping lightly with a rubber mallet, IT NECESSARY.



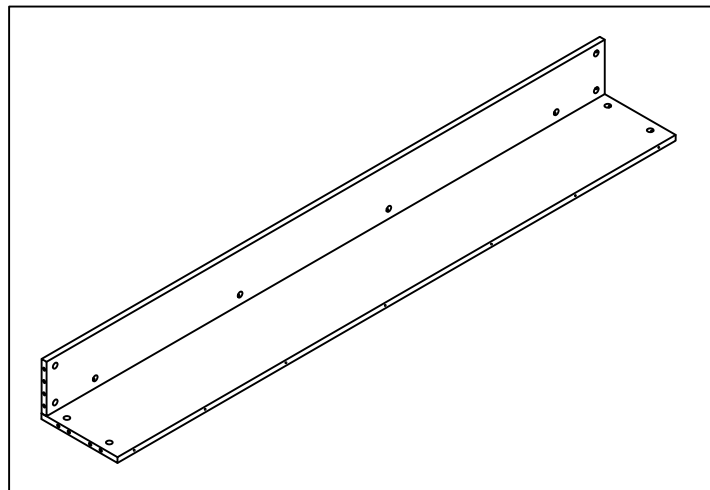
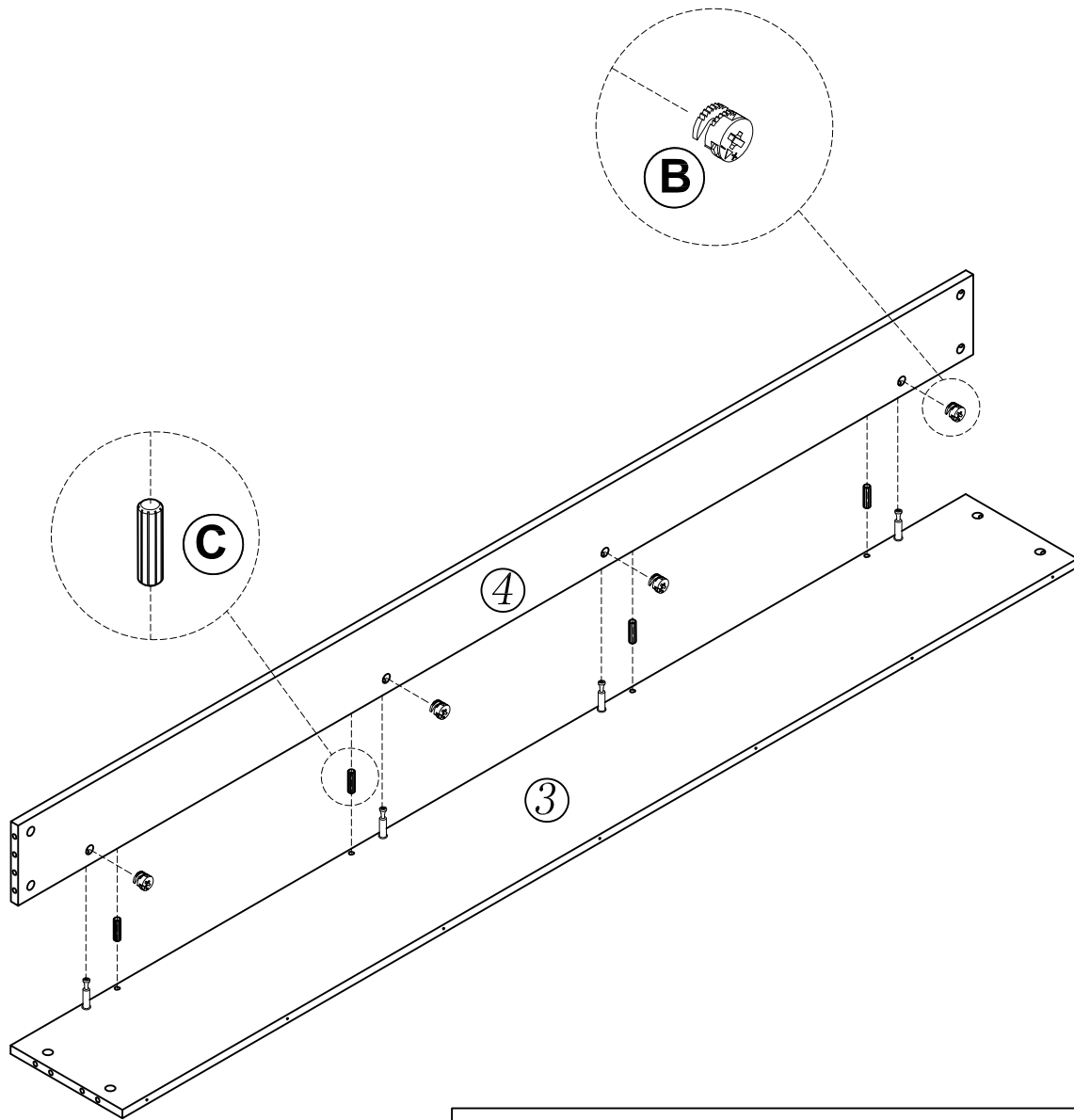
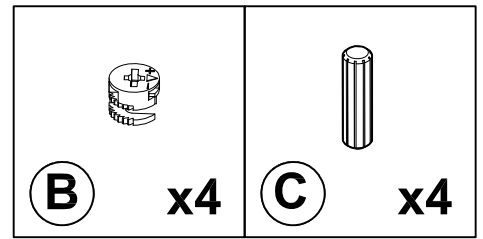
⚠ WARNING

- Unit must be placed on a level surface or leveled with included hardware (when applicable).
- Do not sit or stand on or allow children to climb, sit or stand on the assembled product.
- For safety reasons, it is imperative that this unit be mounted to the wall.
- Do not use without installing the tip restraint.
- Unit can tip over causing severe injury or death.
- Do not exceed the recommended weight limits.
- Evenly distribute the weight on each level and always keep the heavier loads on the bottom.
- Before cutting, drilling or hammering into any wall or floor surface, verify the location of electrical, plumbing and gas lines. Cutting may cause serious injury.

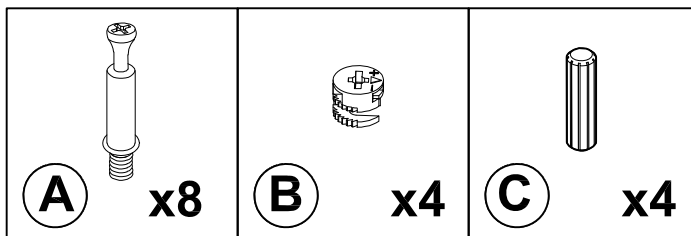
STEP 1



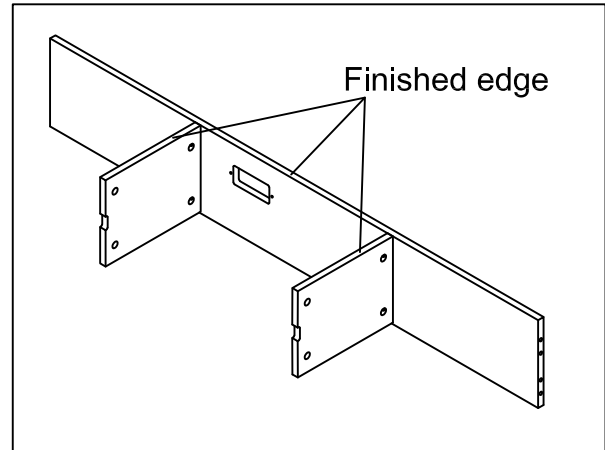
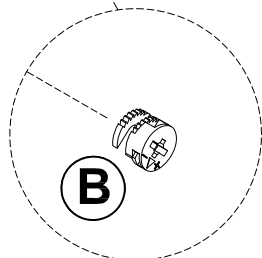
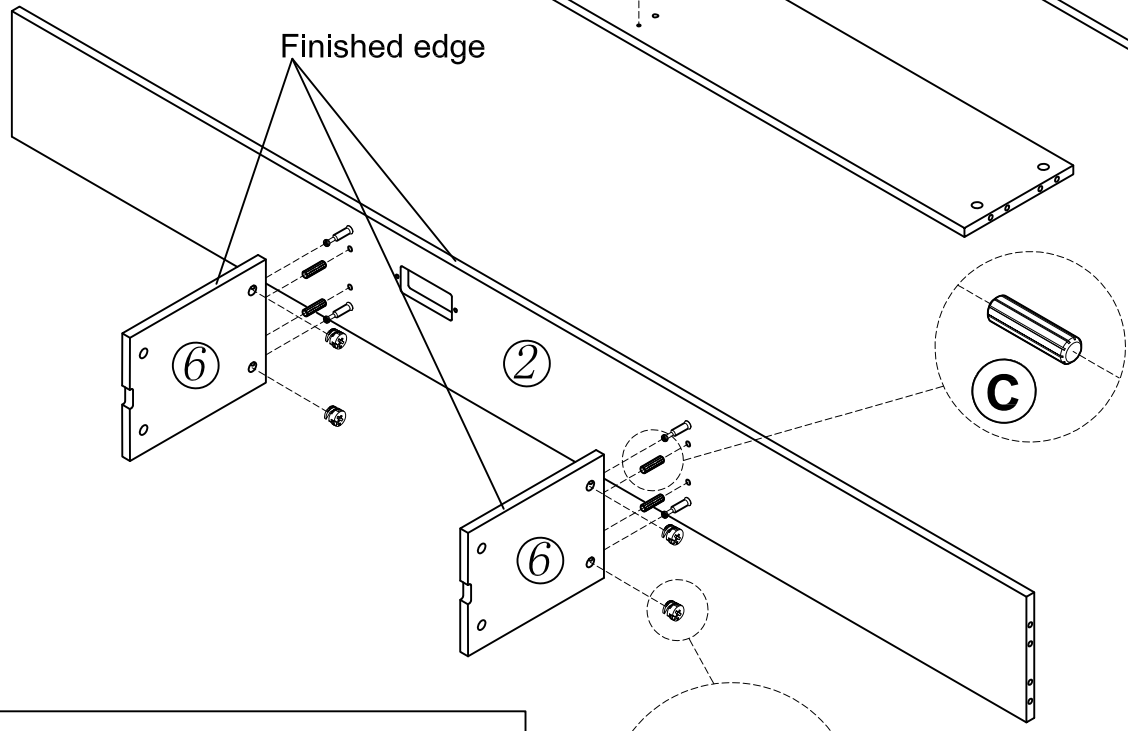
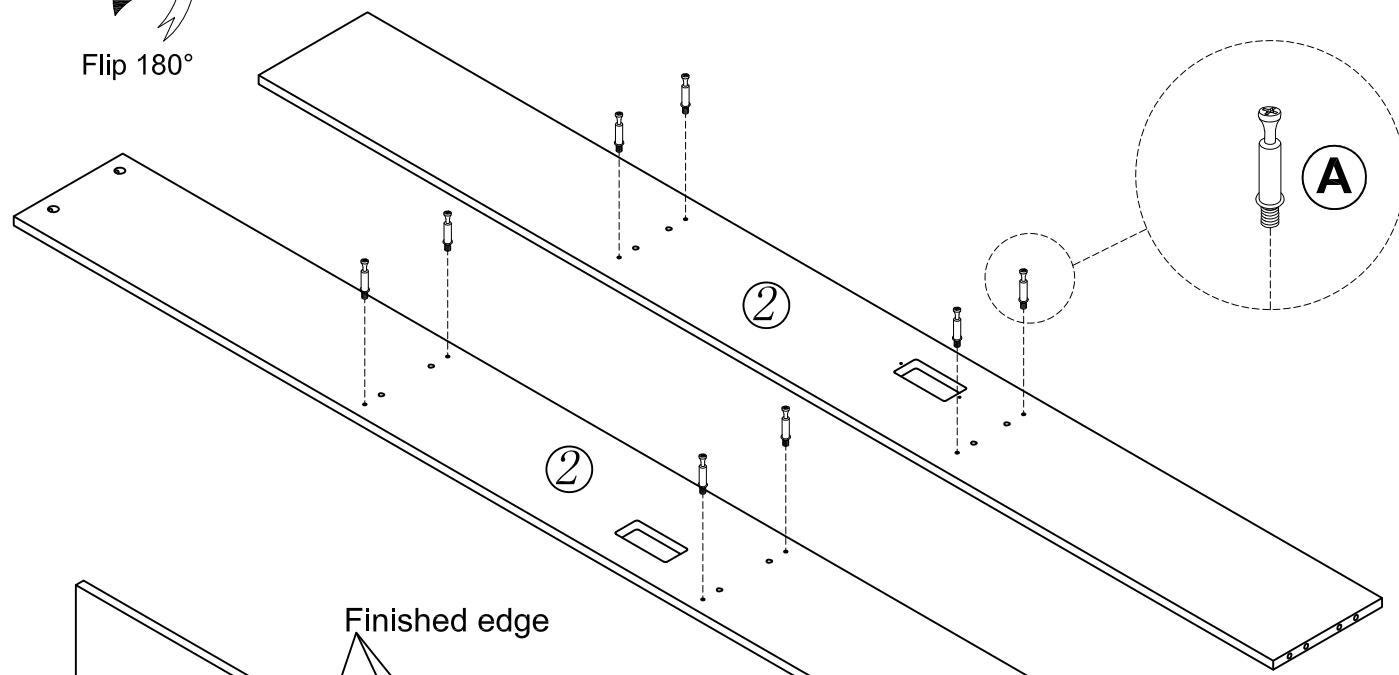
STEP 2



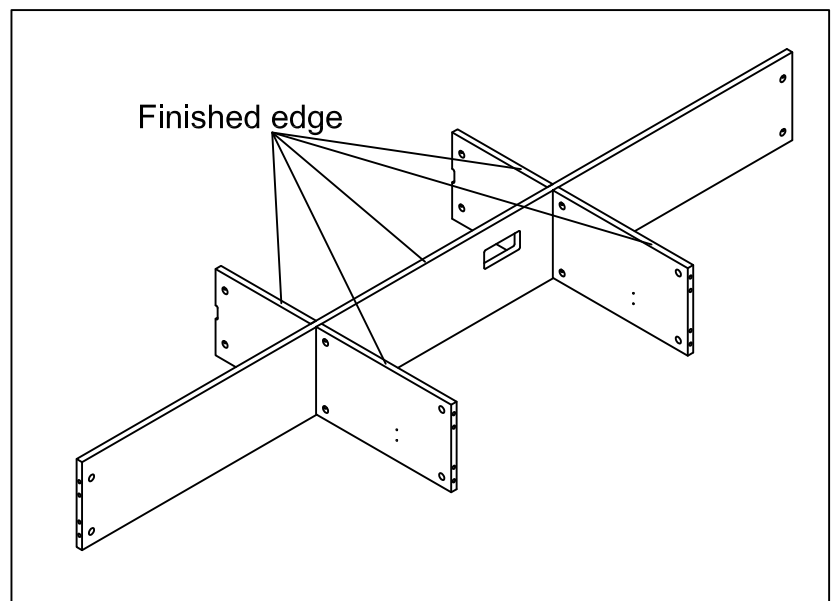
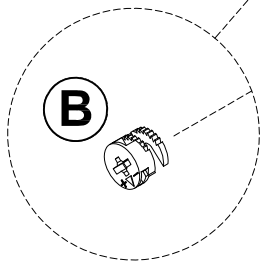
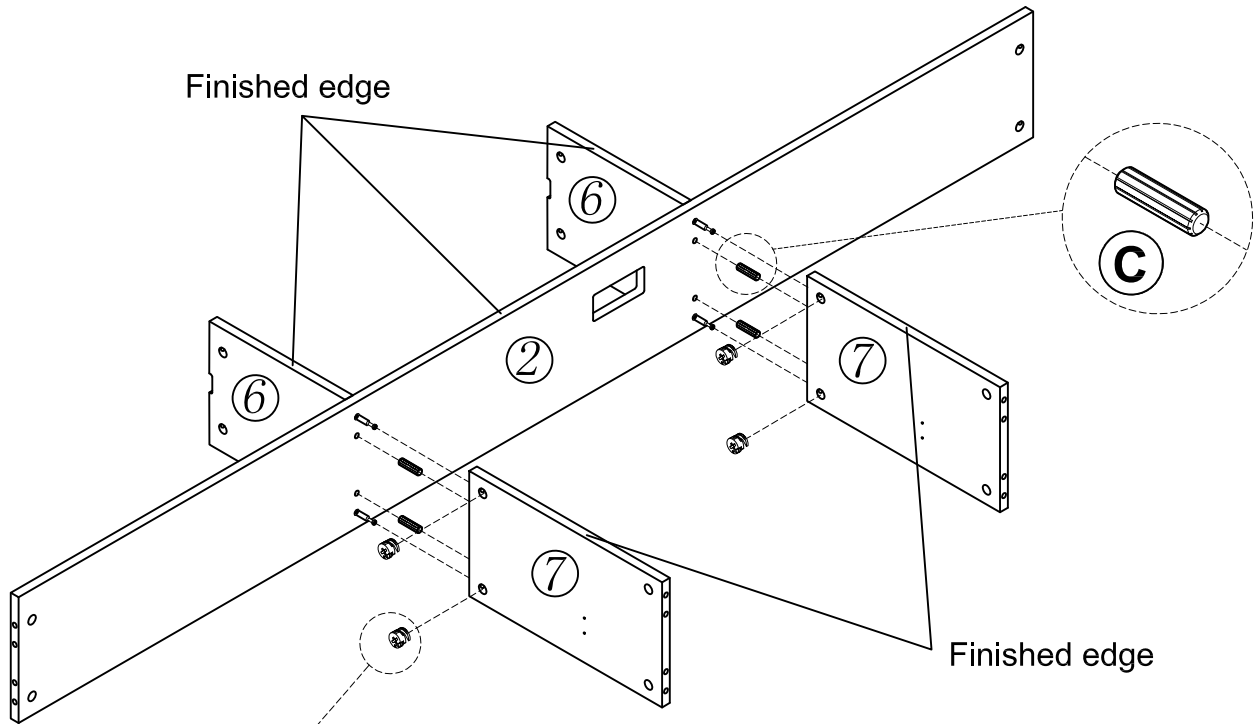
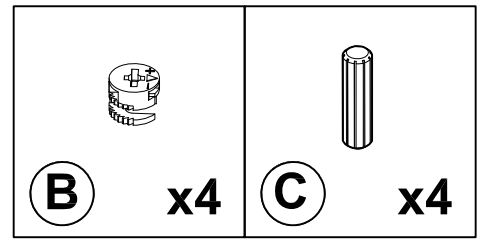
STEP 3



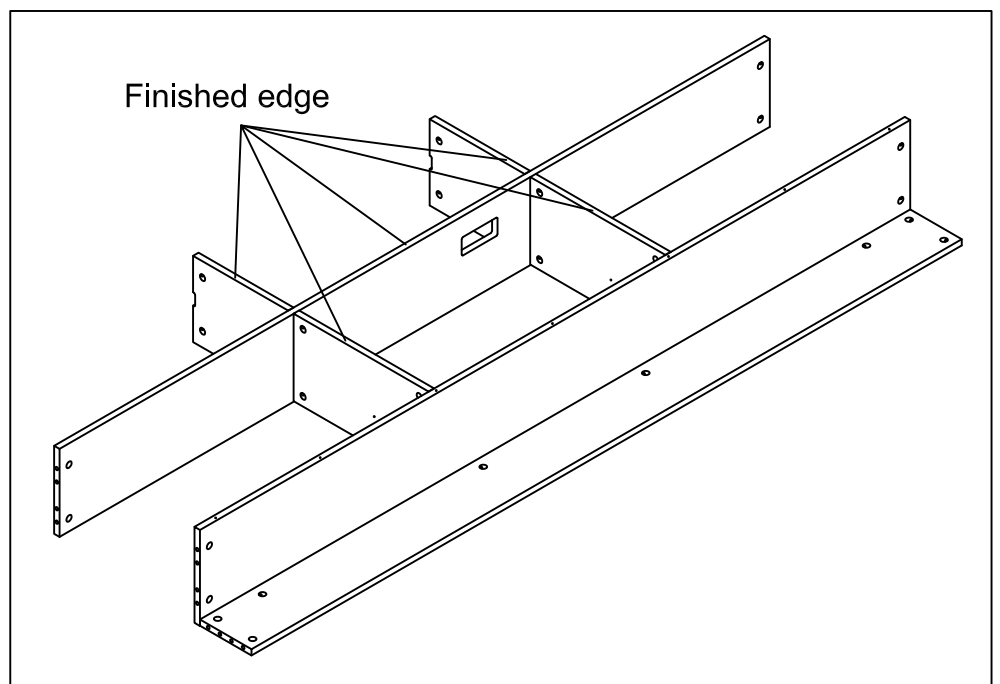
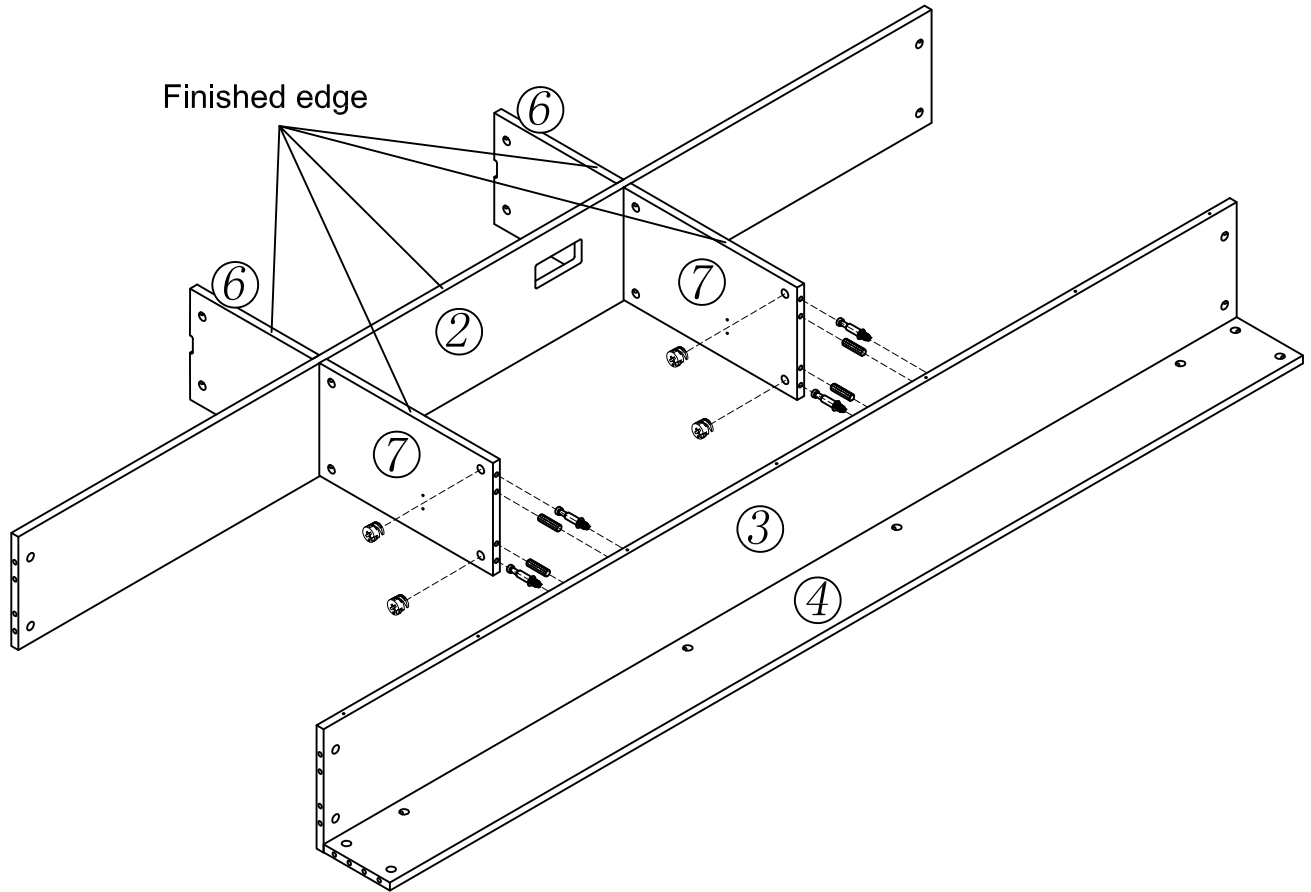
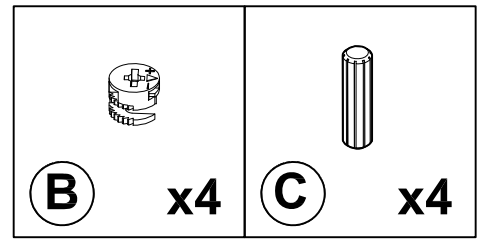
Flip 180°



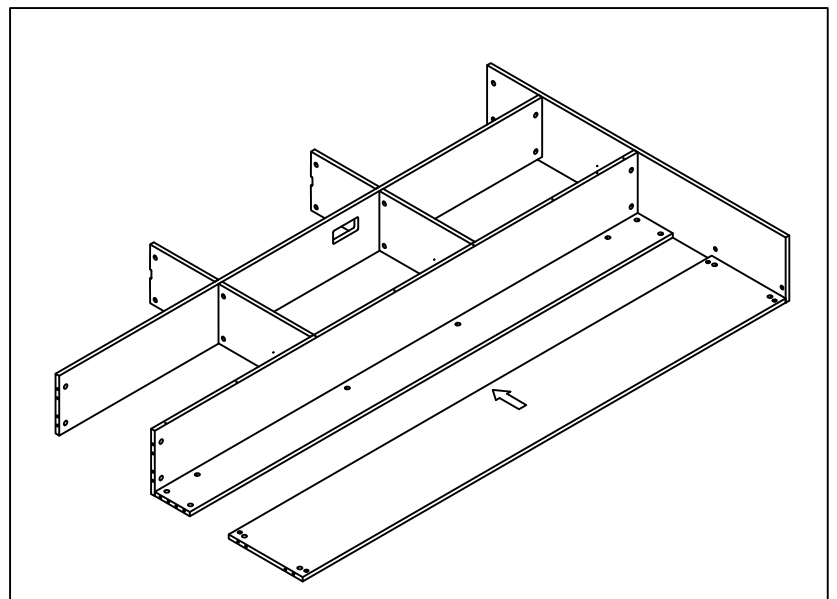
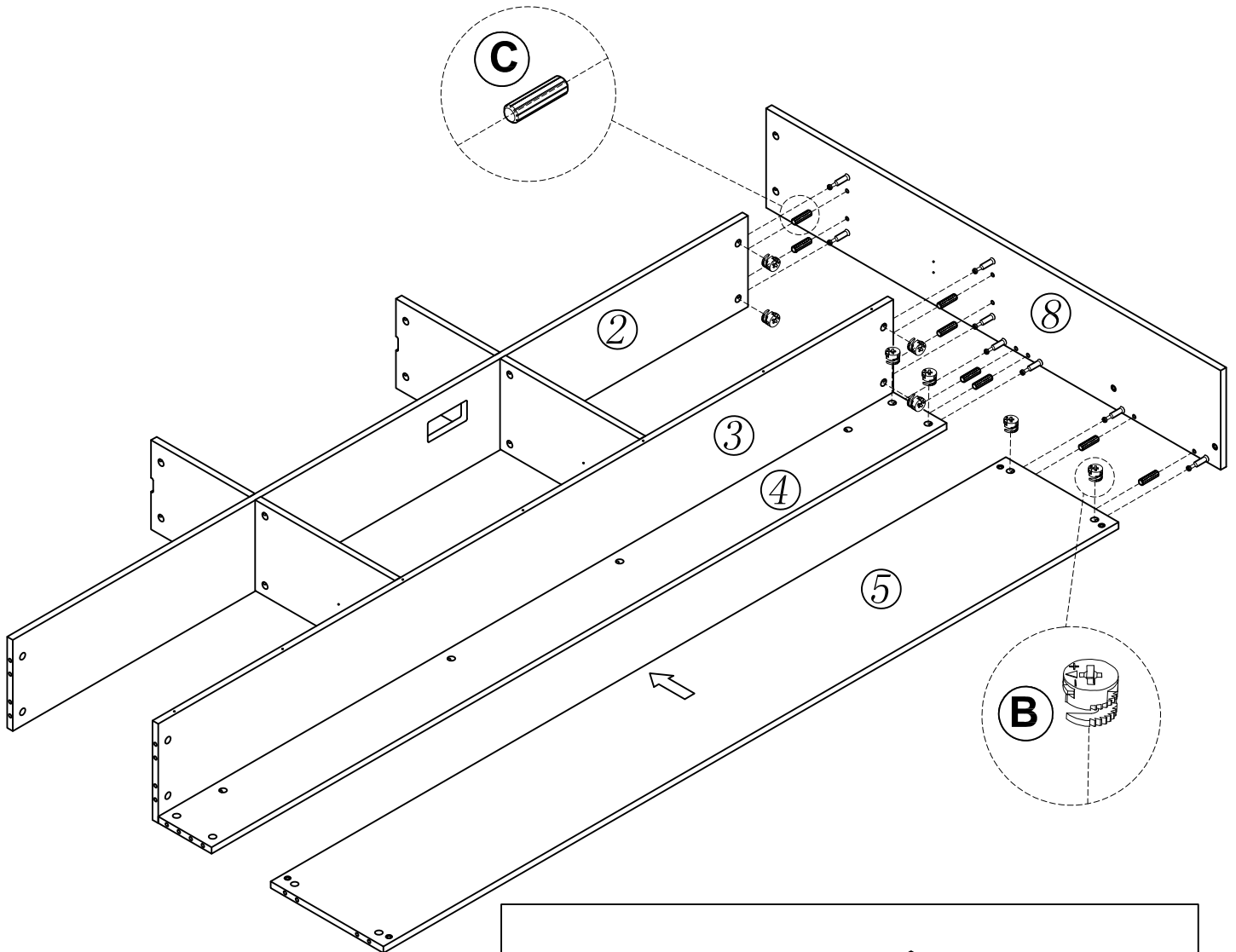
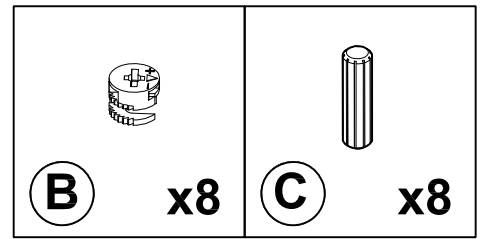
STEP 4



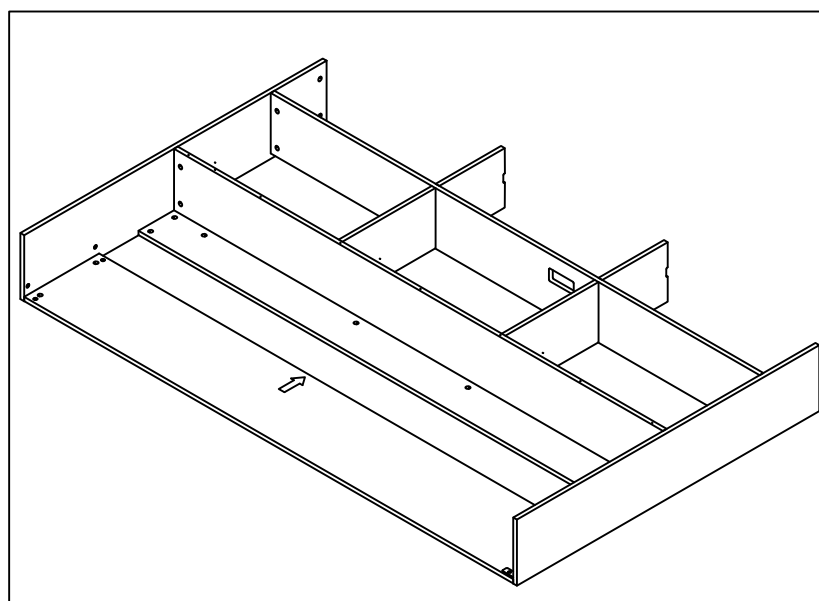
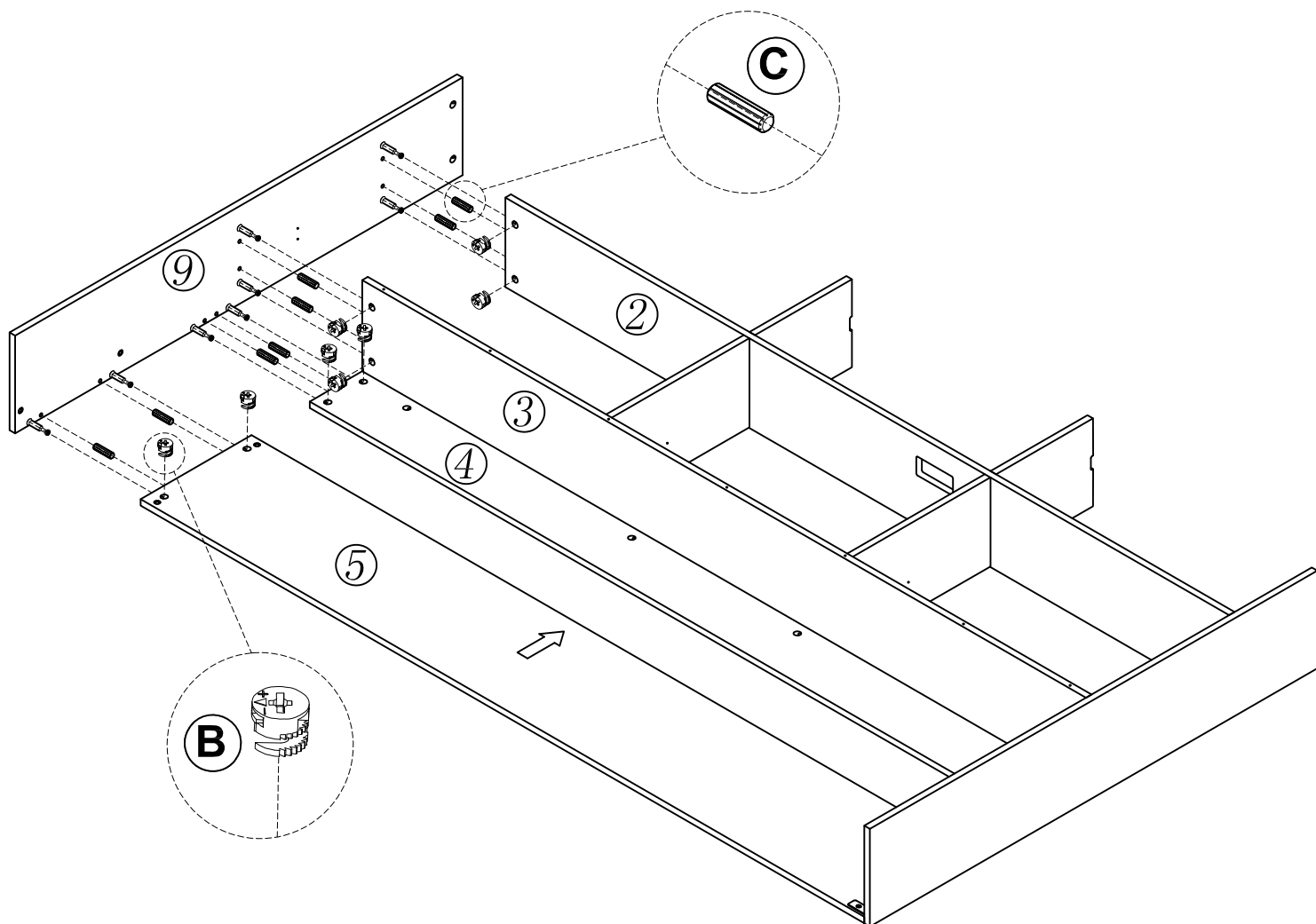
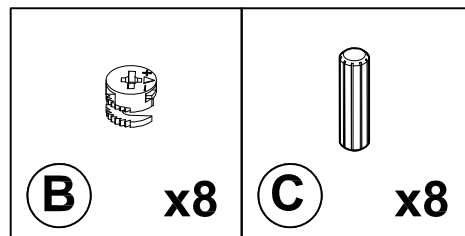
STEP 5



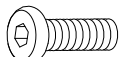
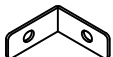

STEP 6

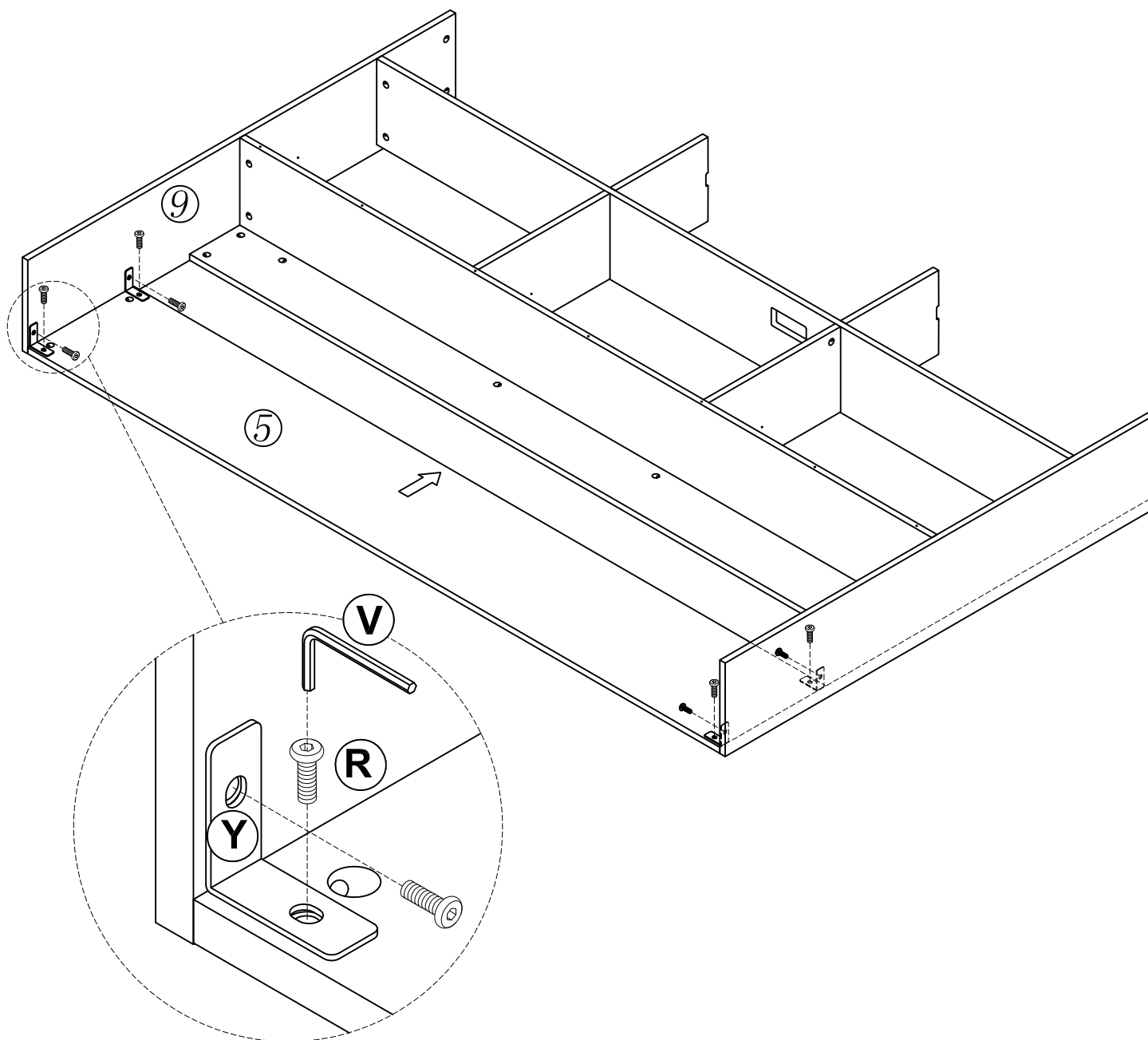


STEP 7

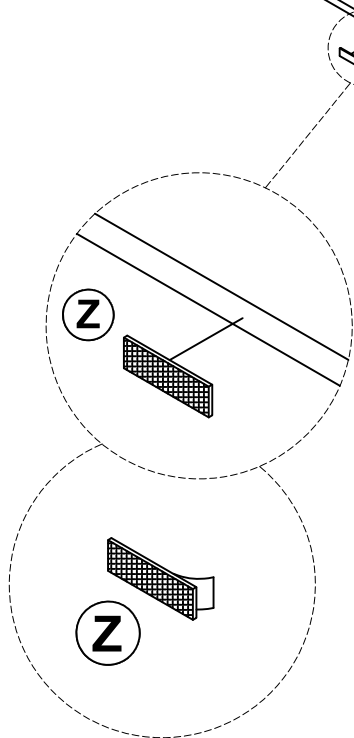
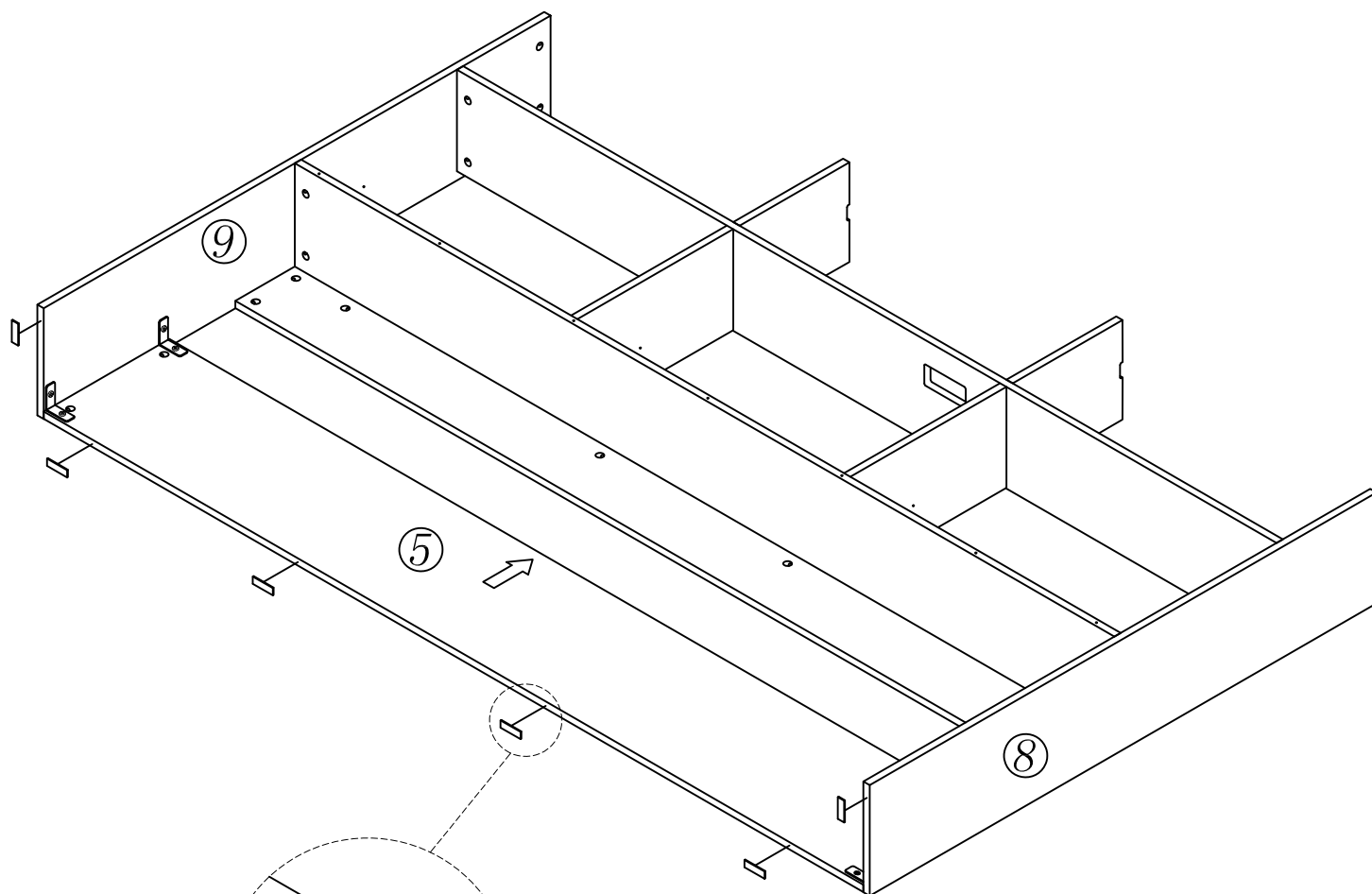
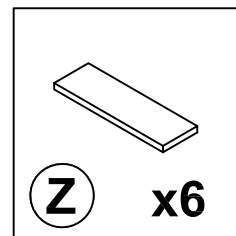


STEP 8

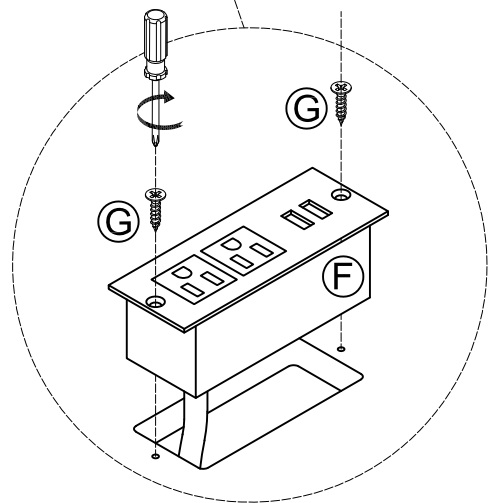
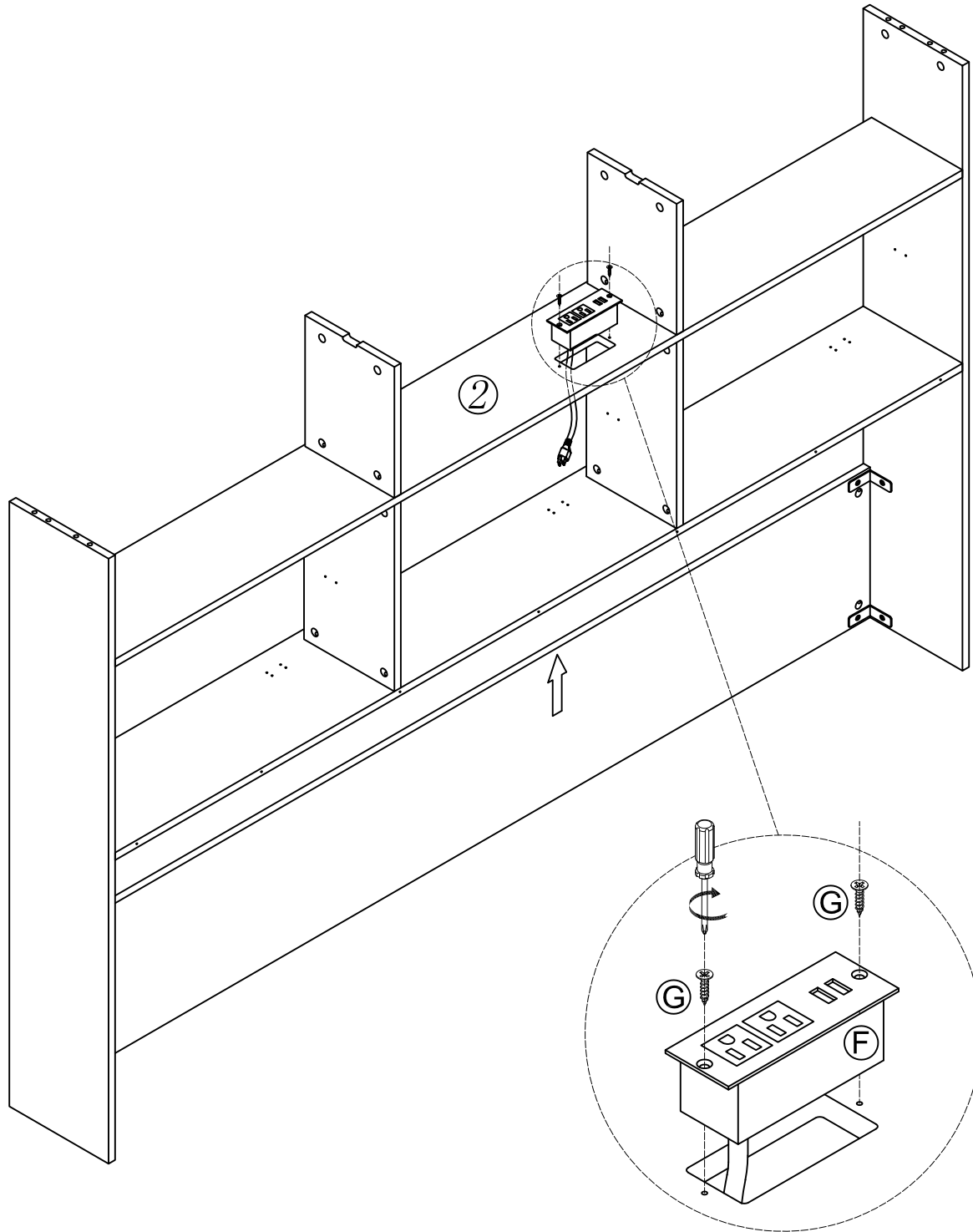
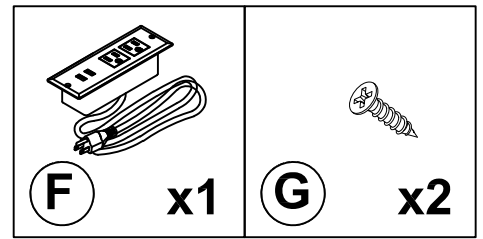
		
(R) x8	(Y) x4	(V) x1



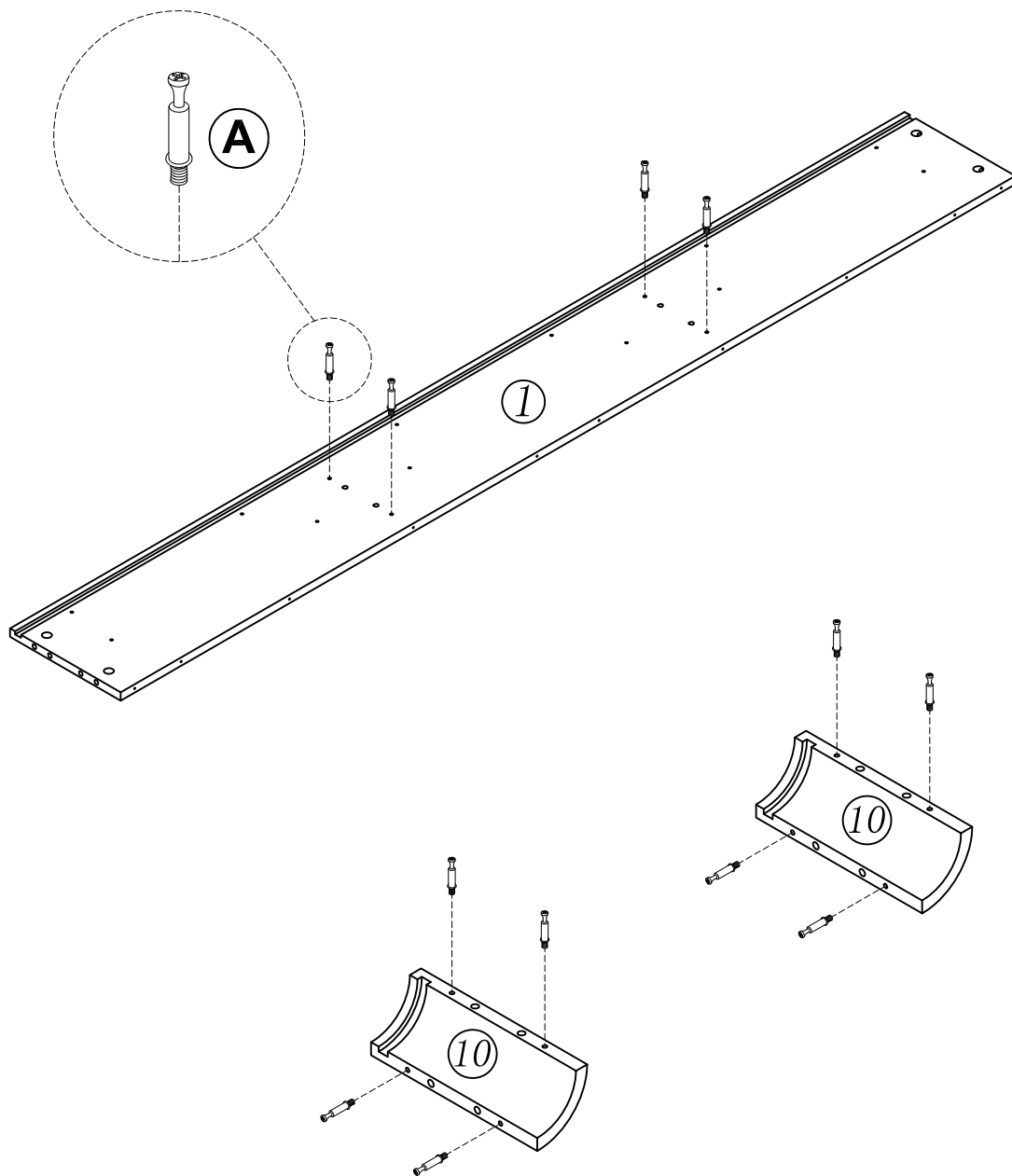
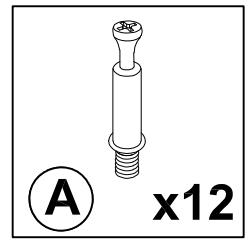
STEP 9



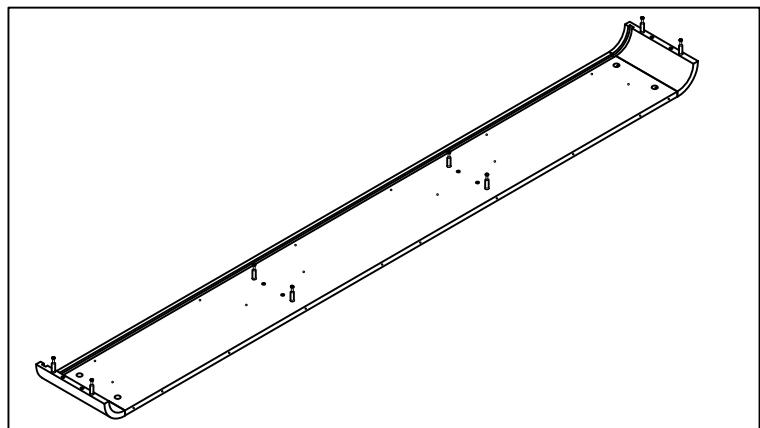
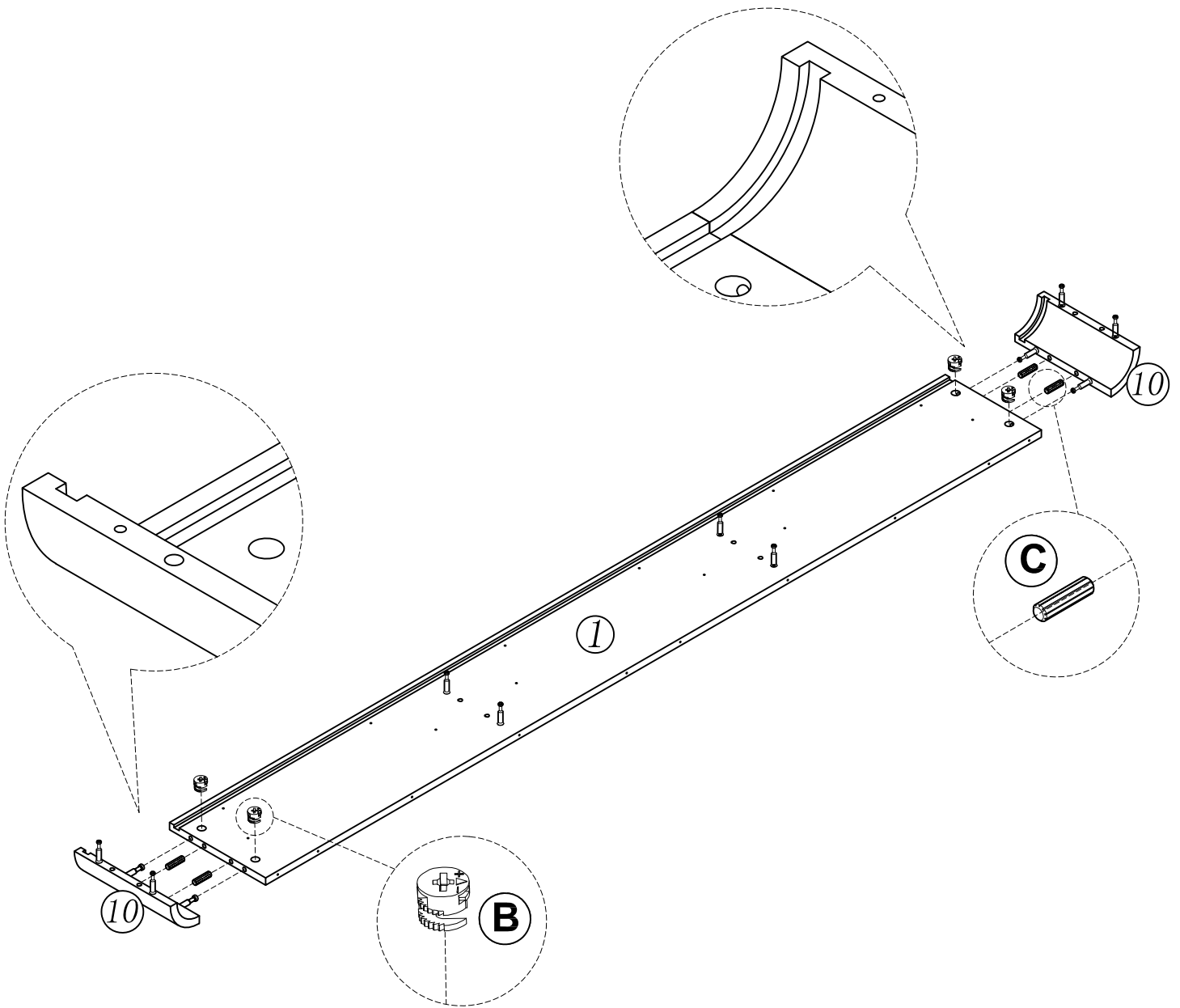
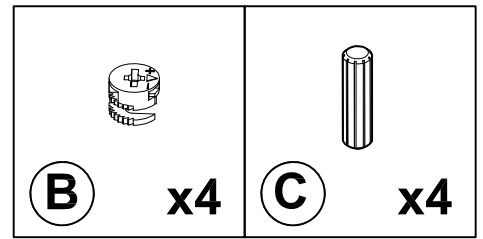
STEP 10



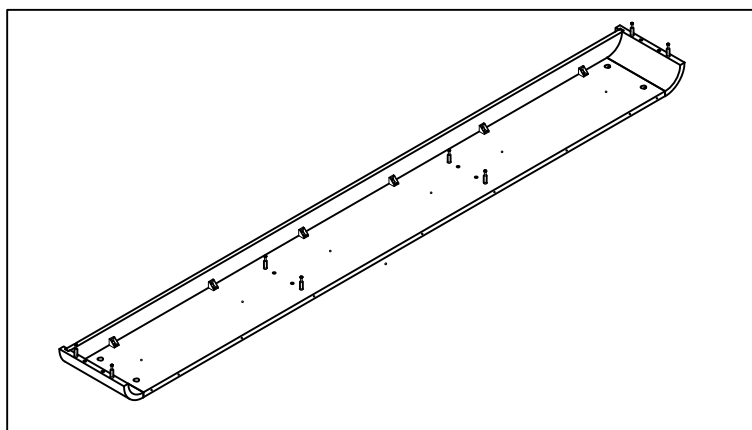
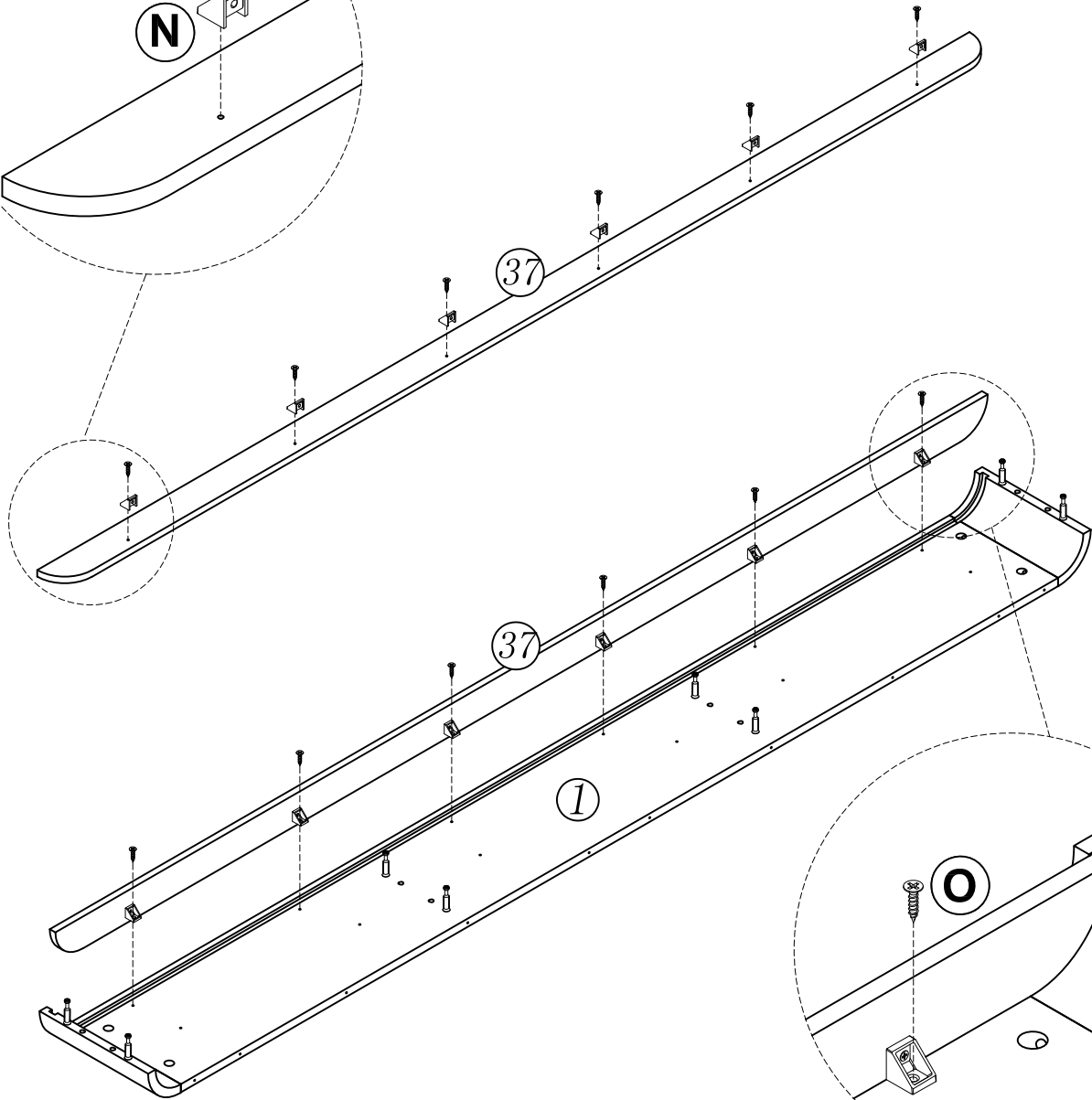
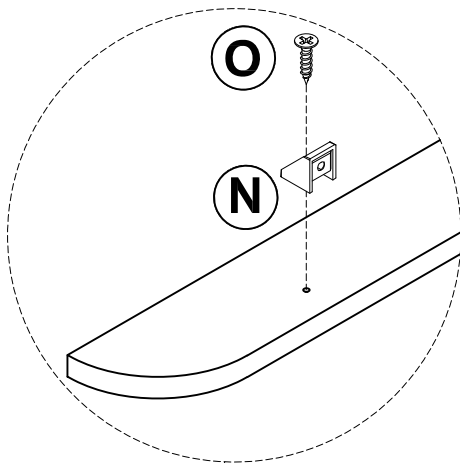
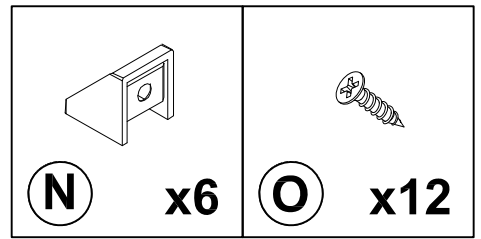
STEP 11



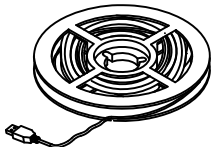
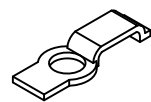

STEP 12

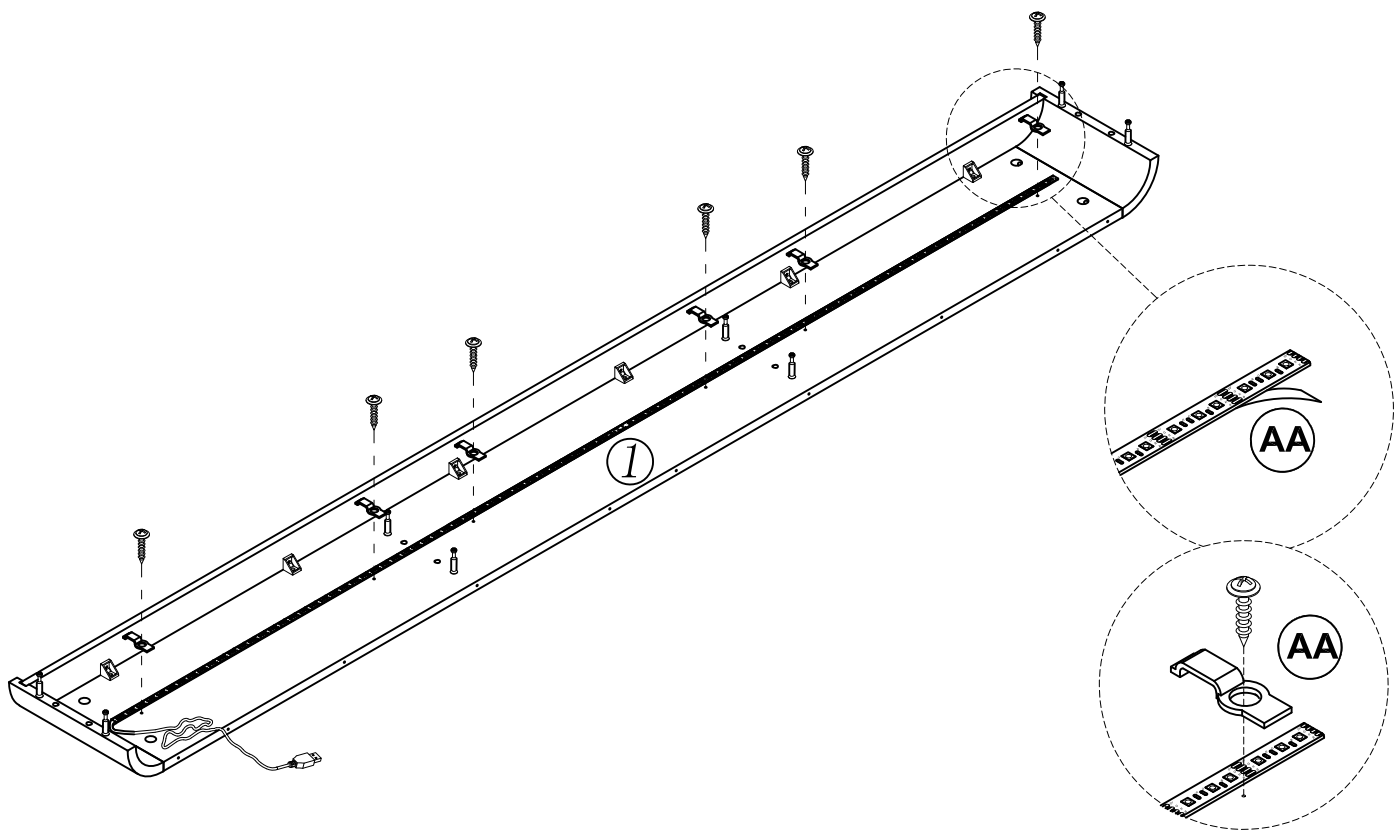


STEP 13

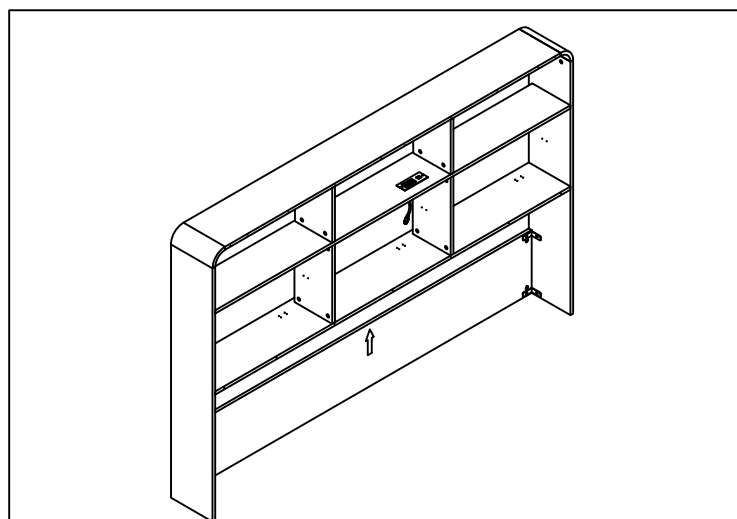
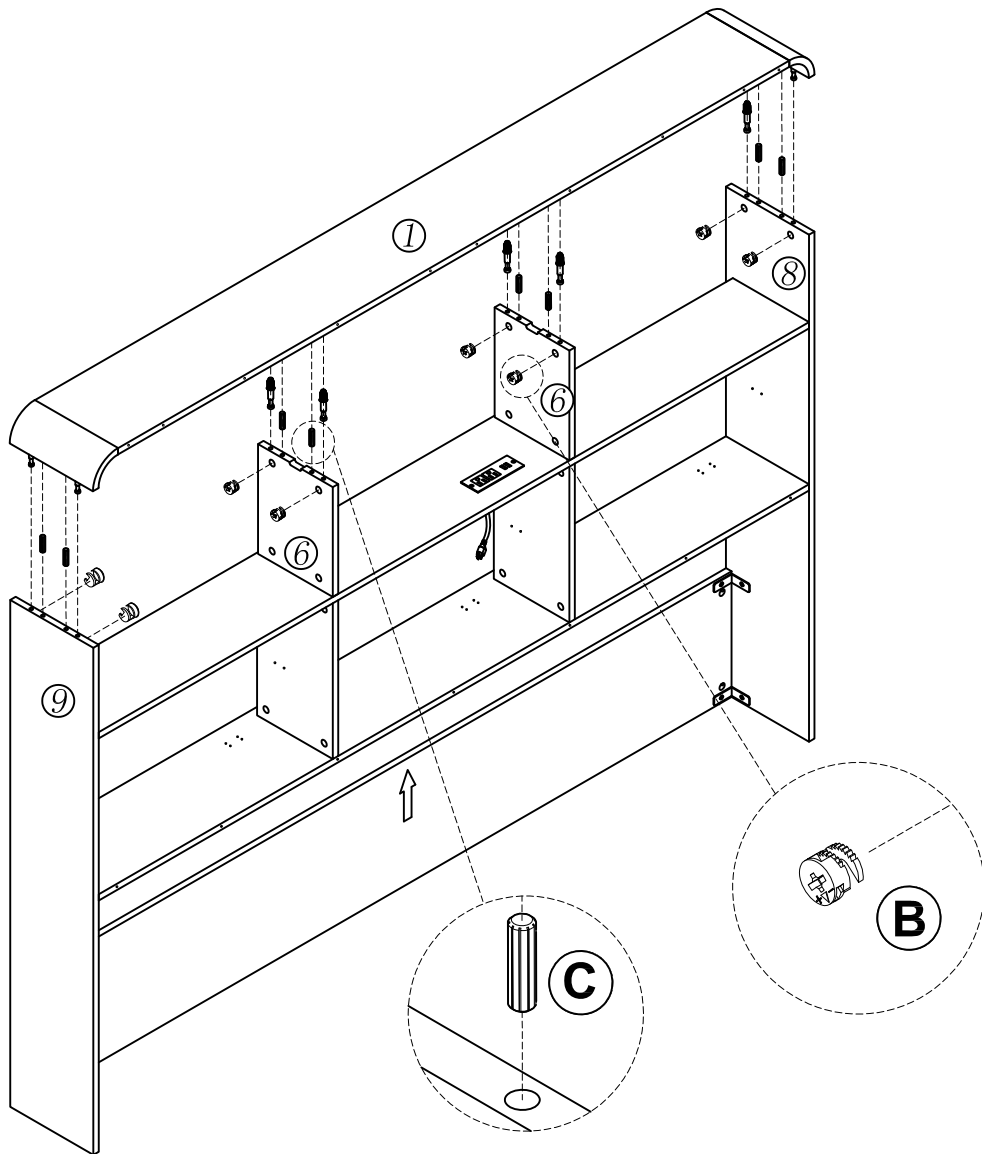
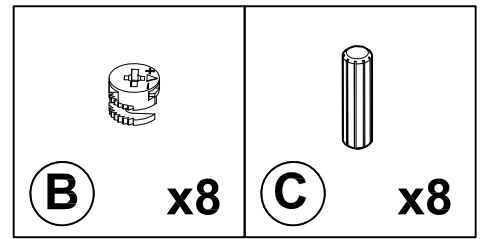


STEP 14

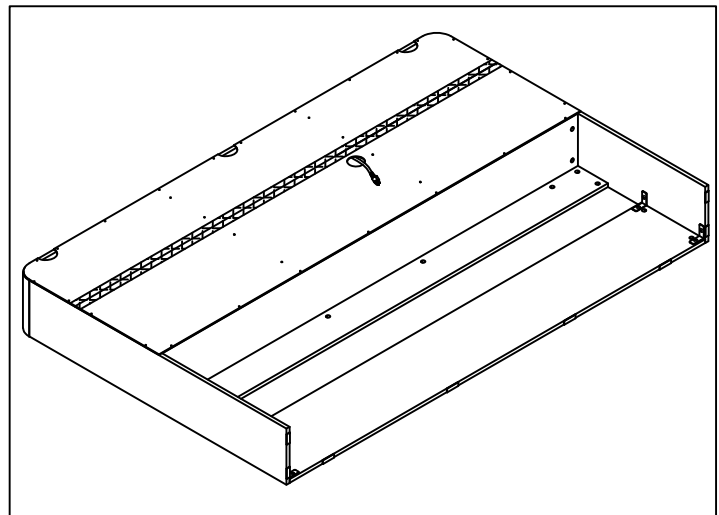
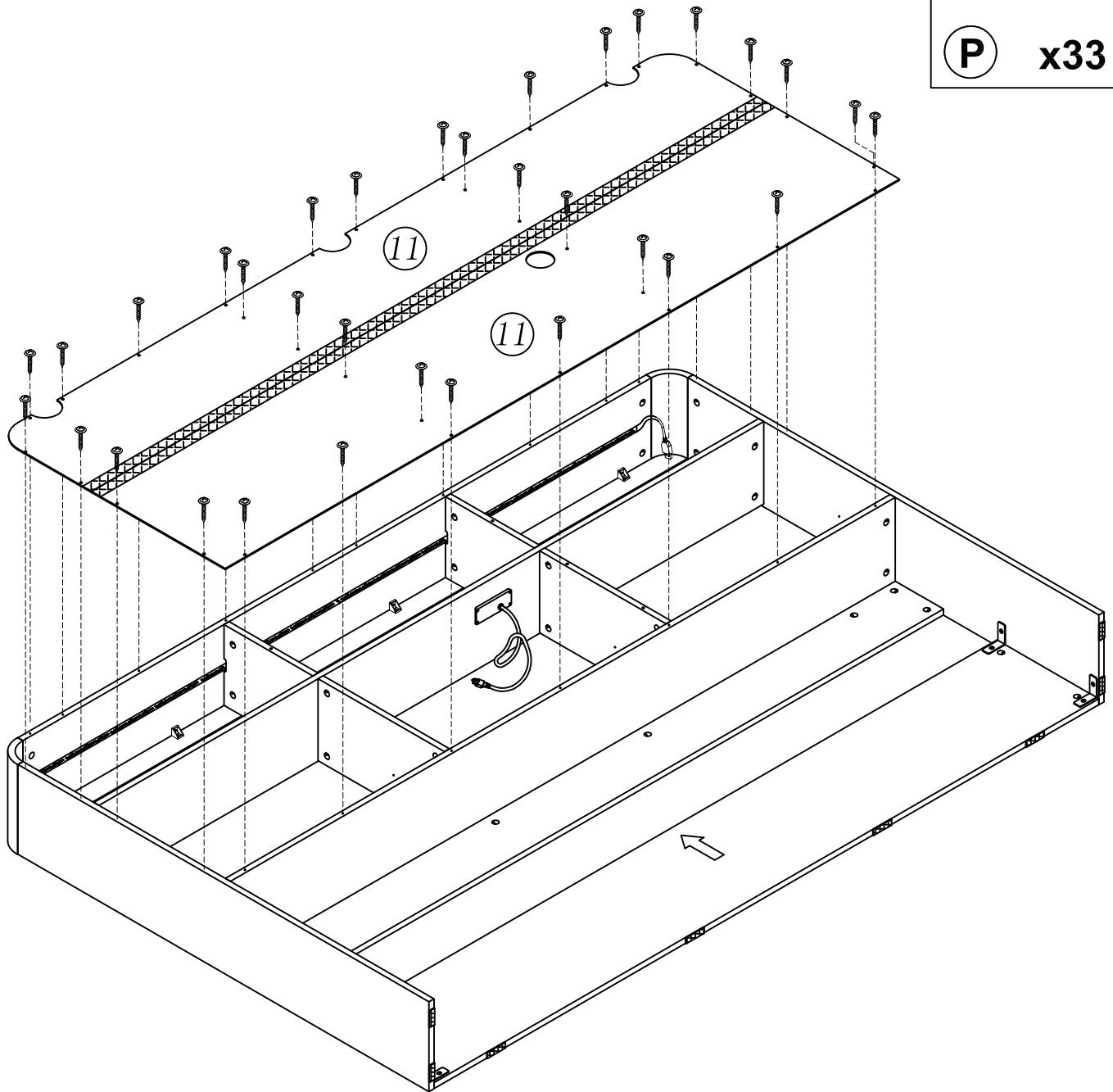
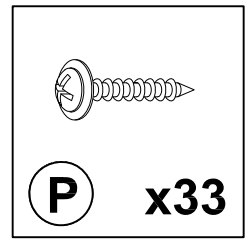
 1x	 6x	 x6
AA		



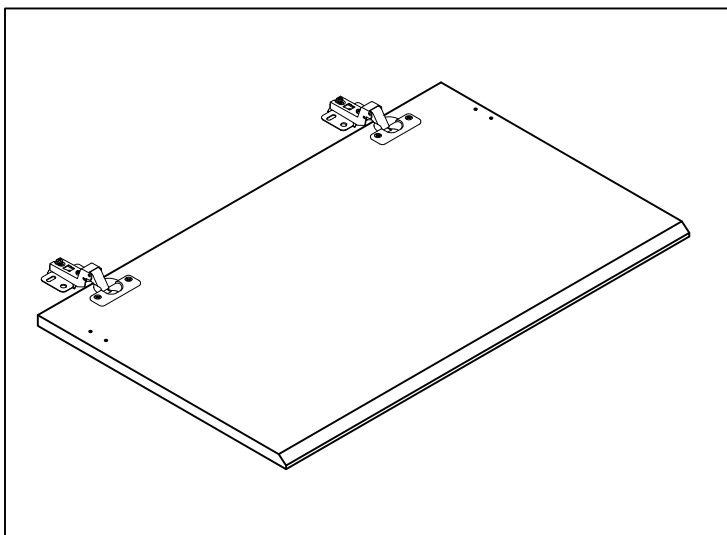
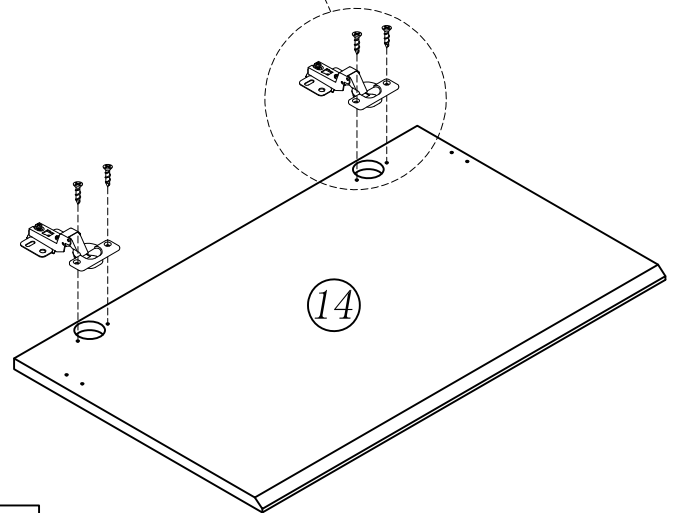
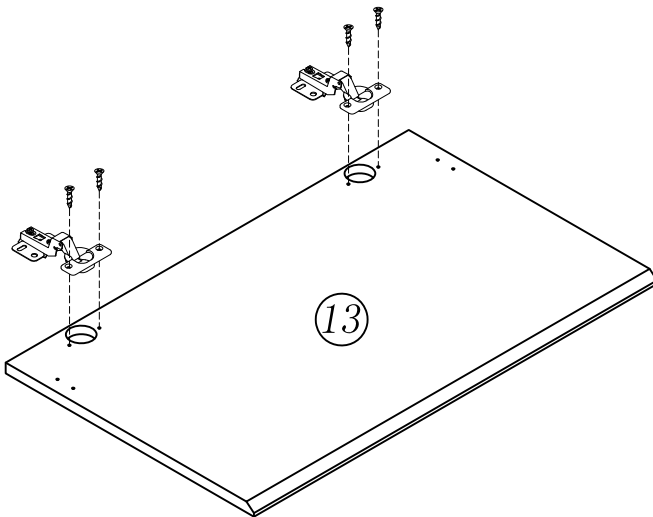
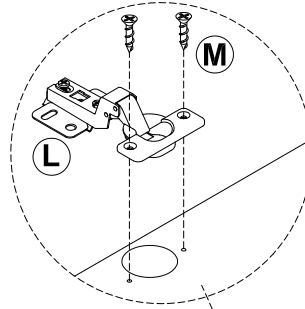
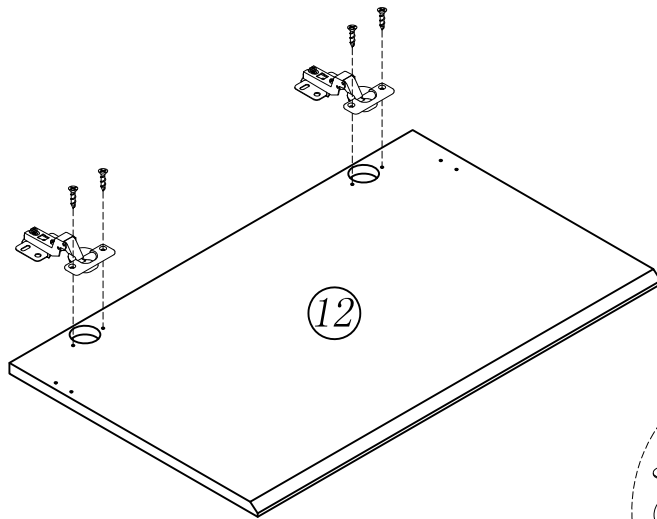
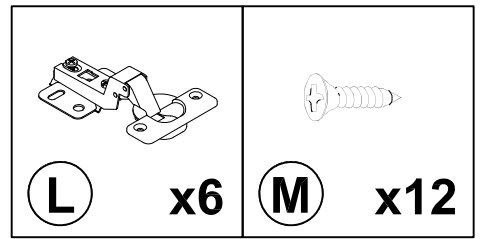
STEP 15



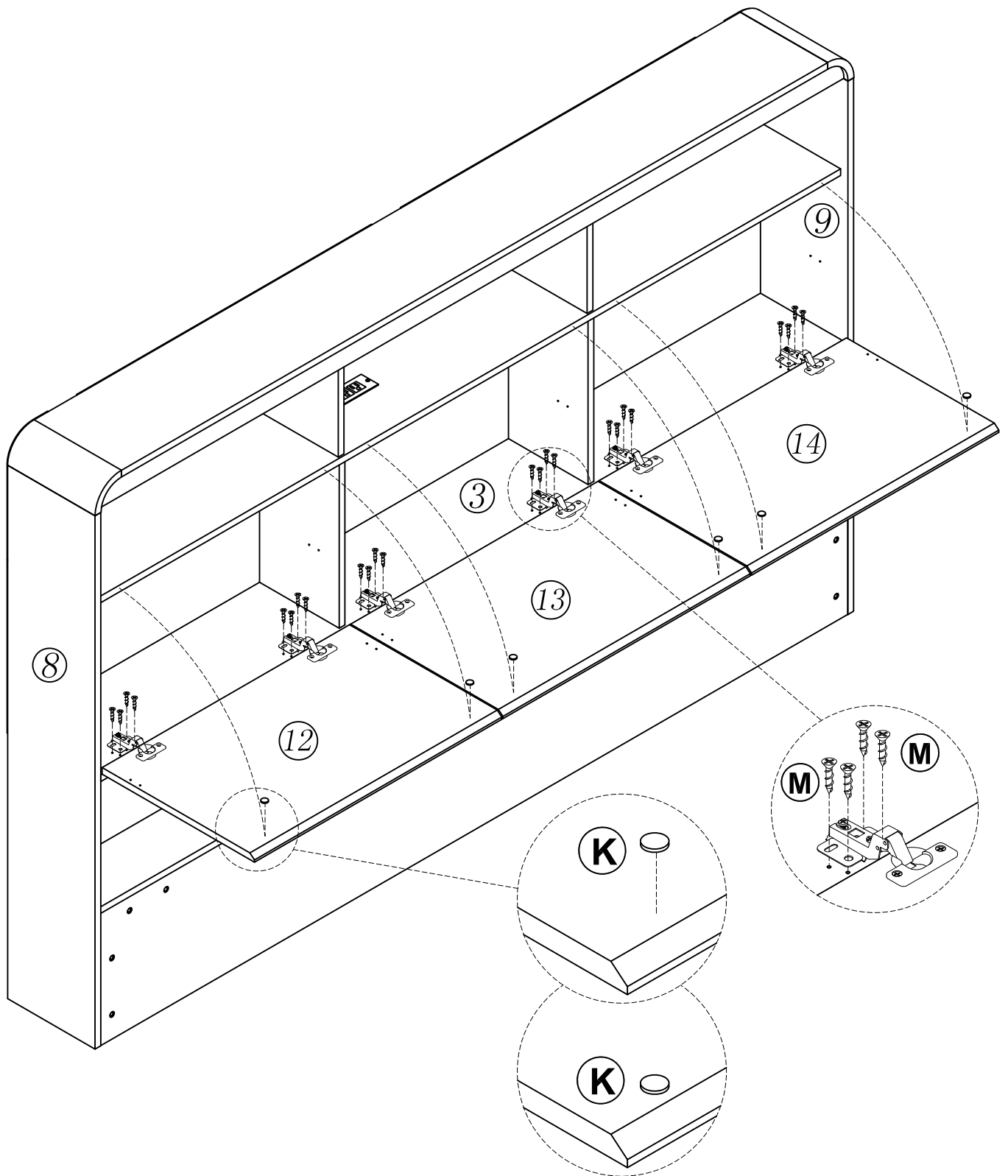
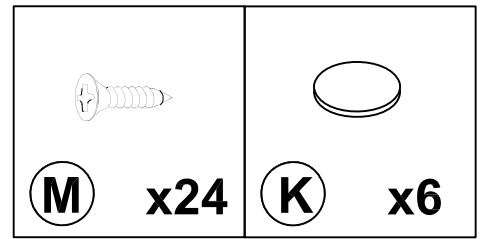
STEP 16



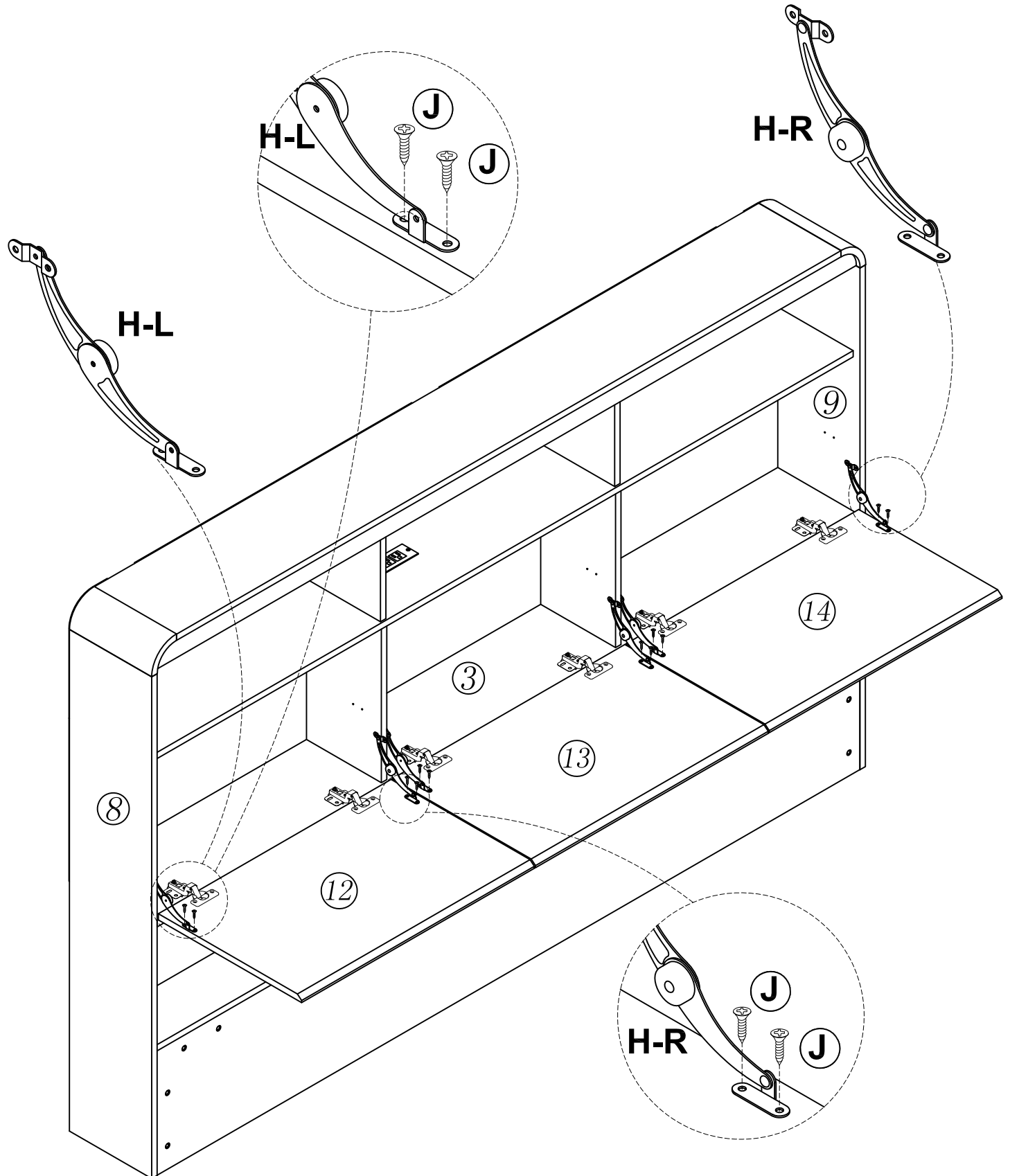
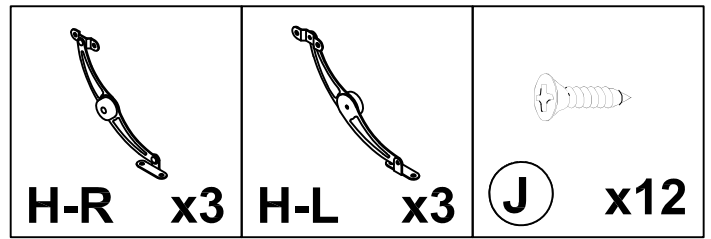
STEP 17



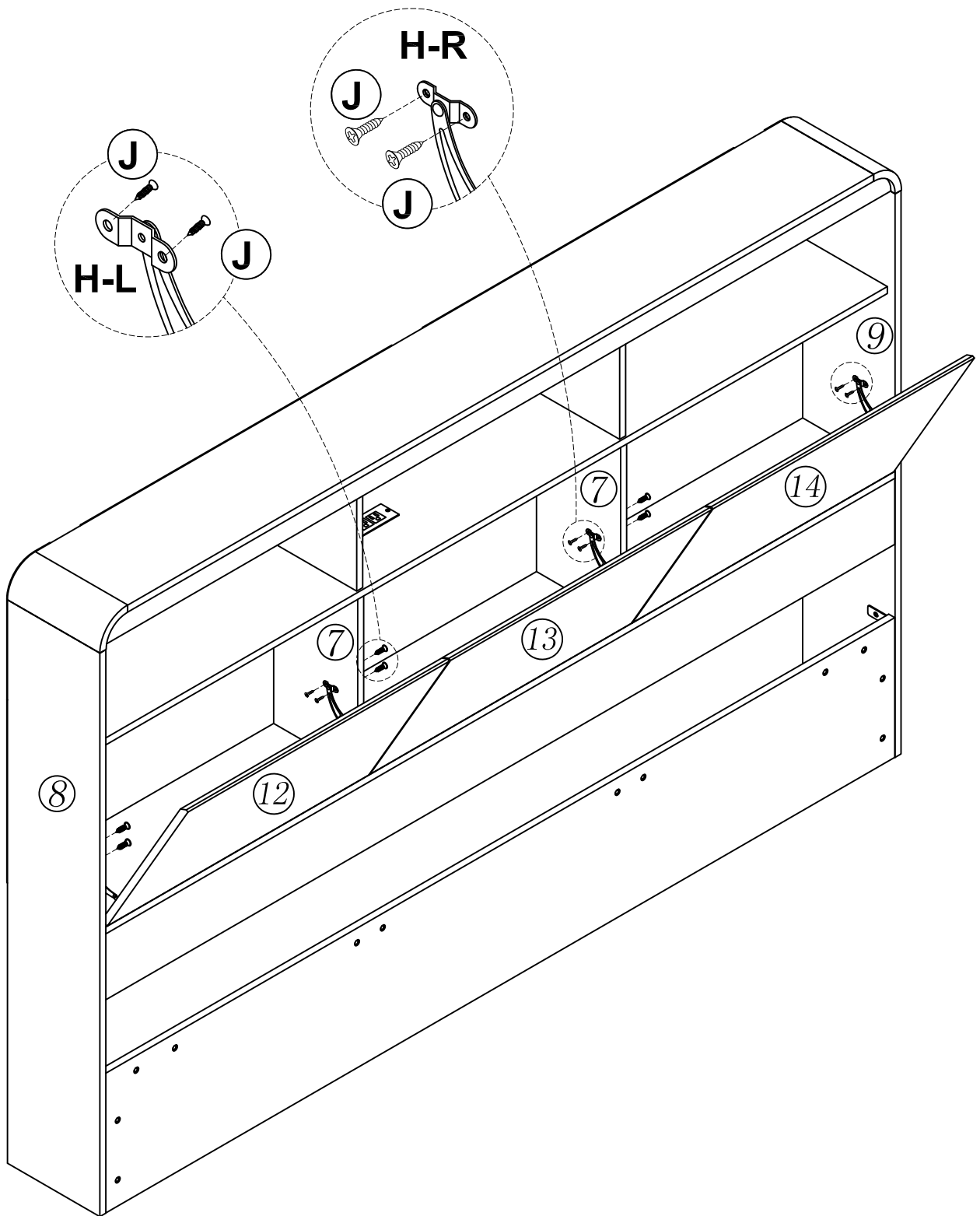
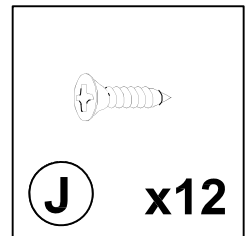
STEP 18



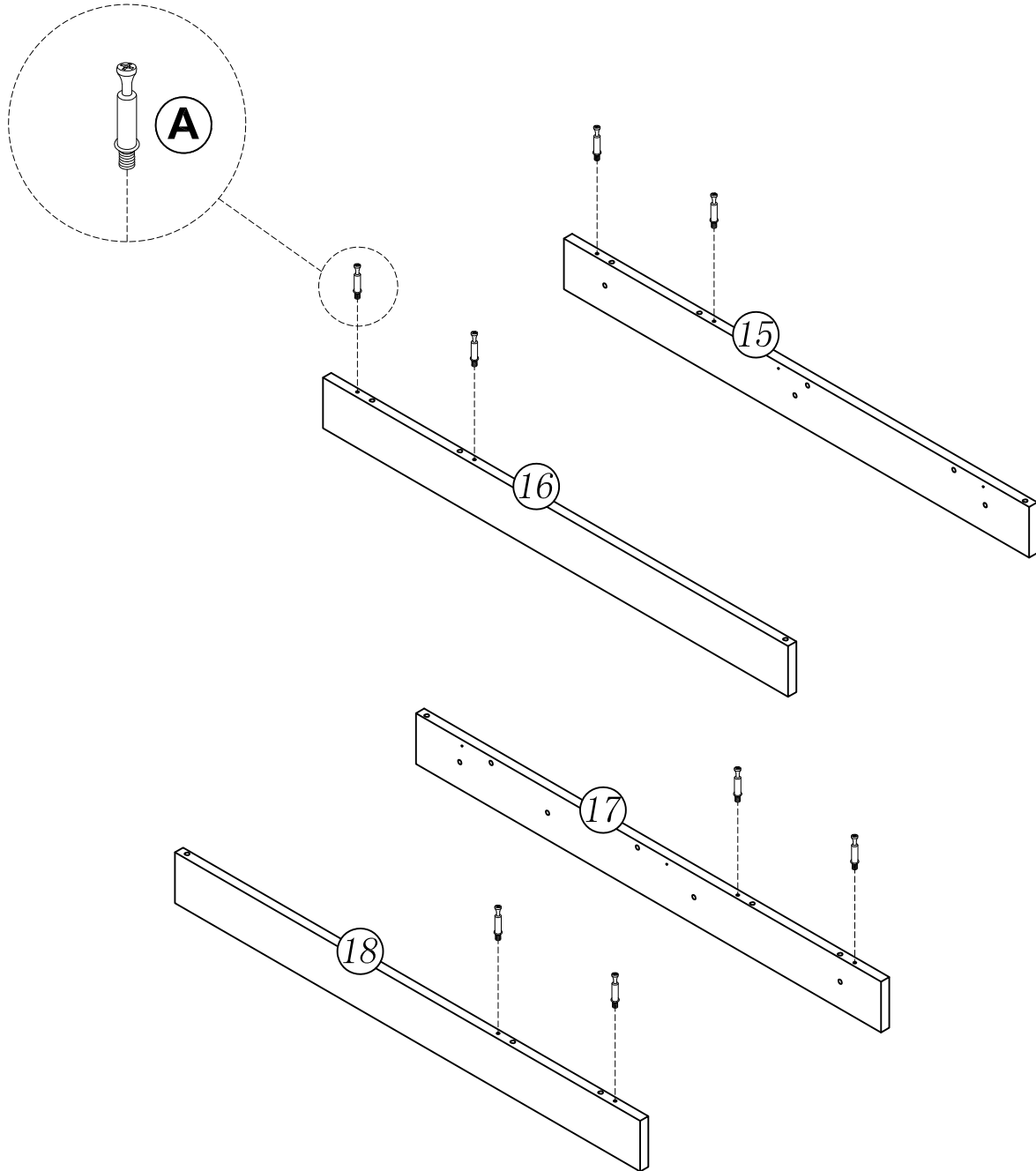
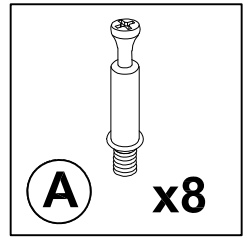
STEP 19



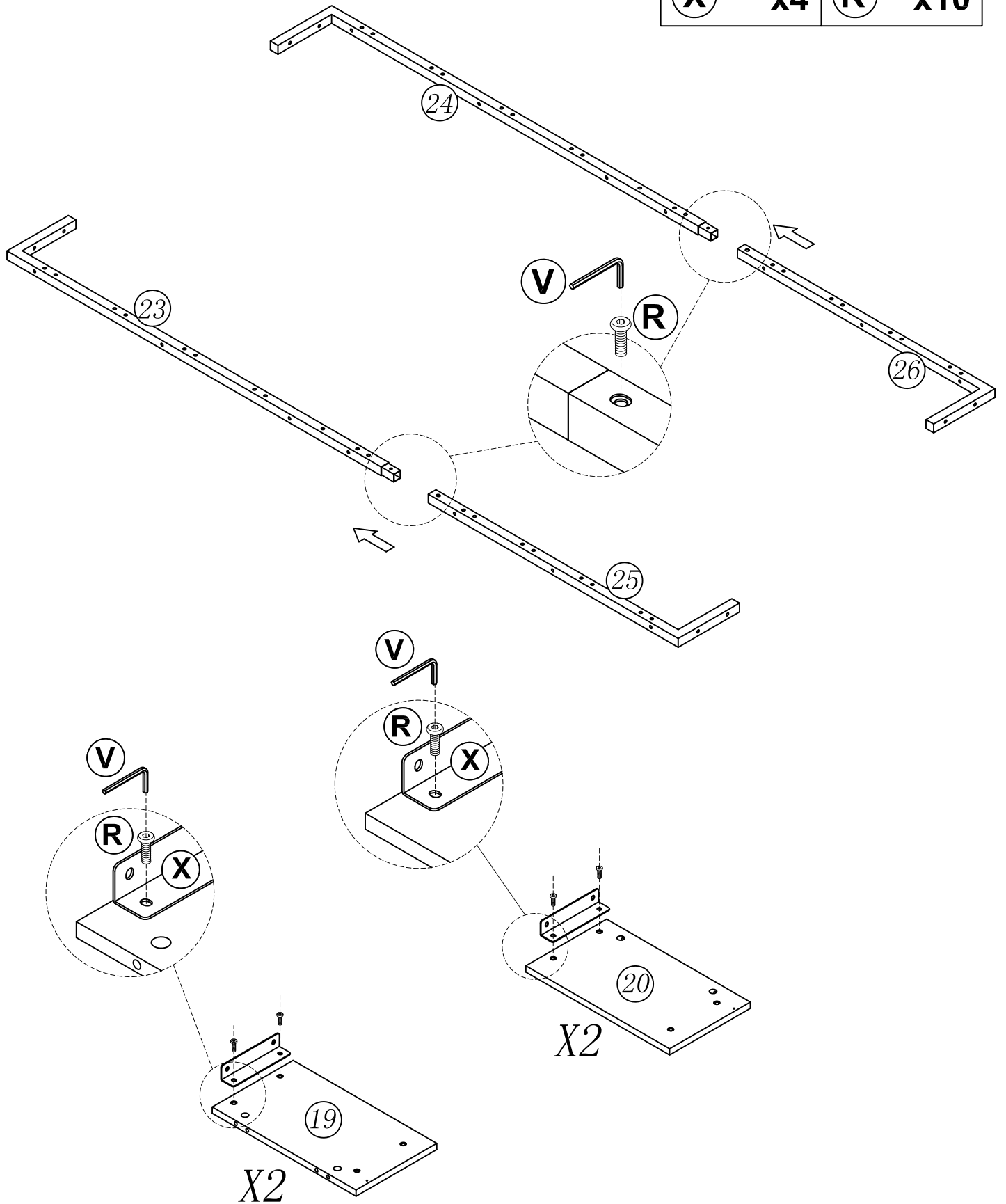
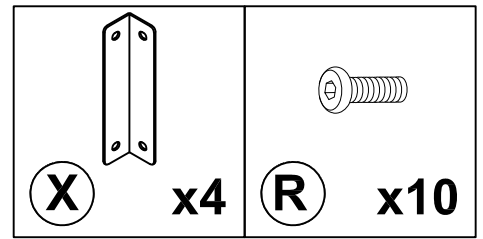
STEP 20



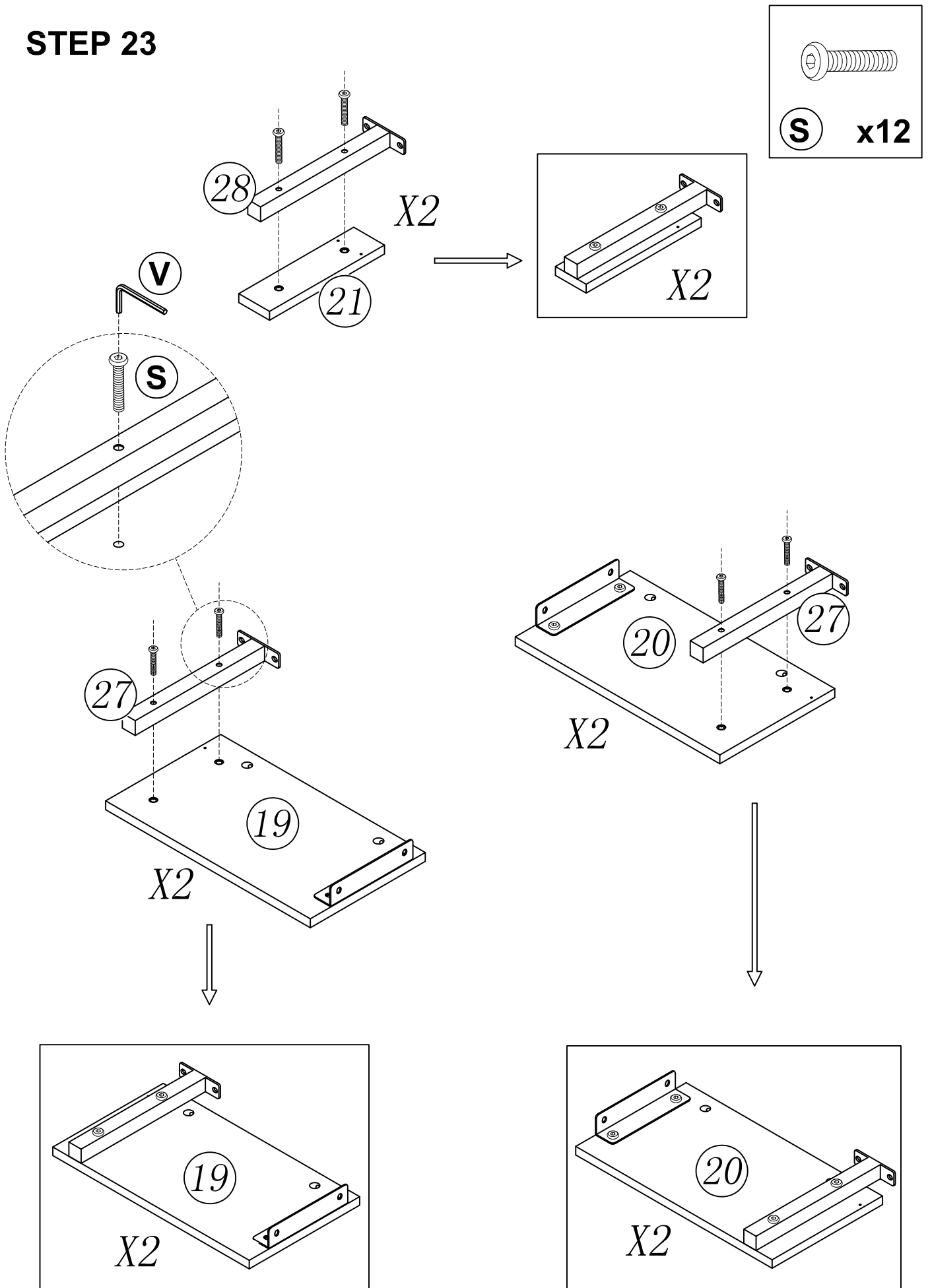
STEP 21



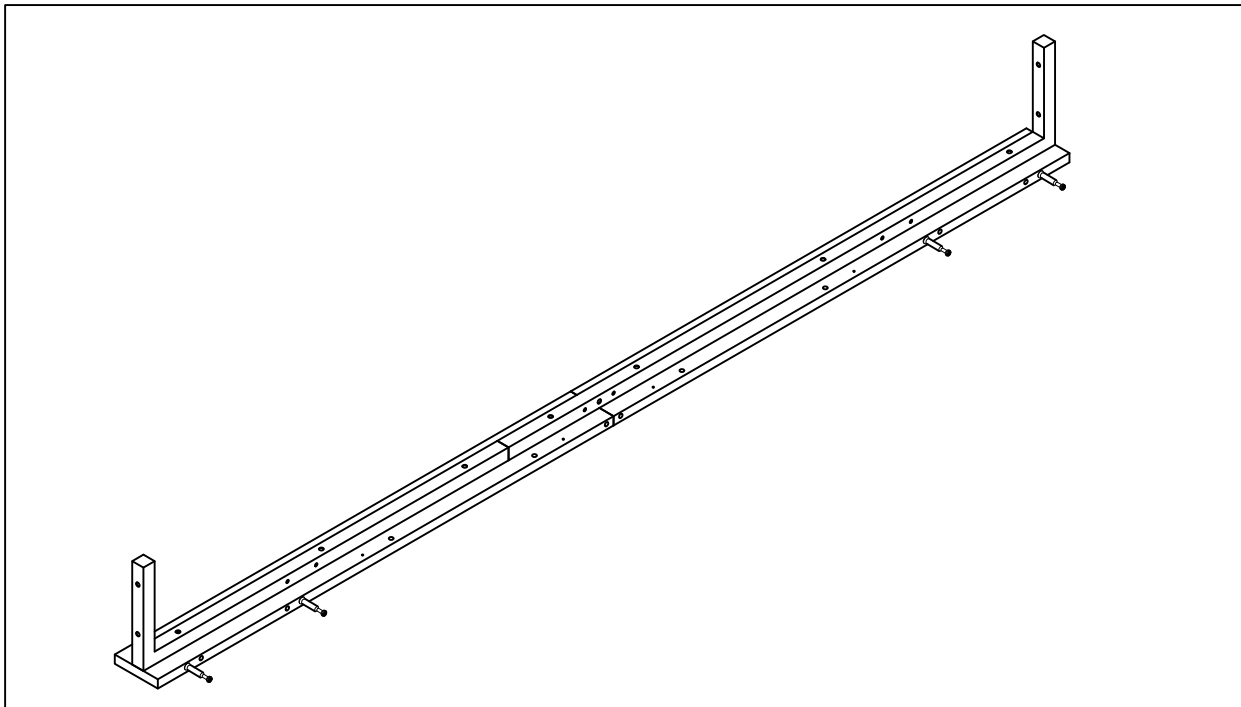
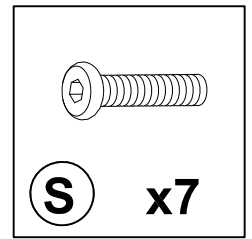
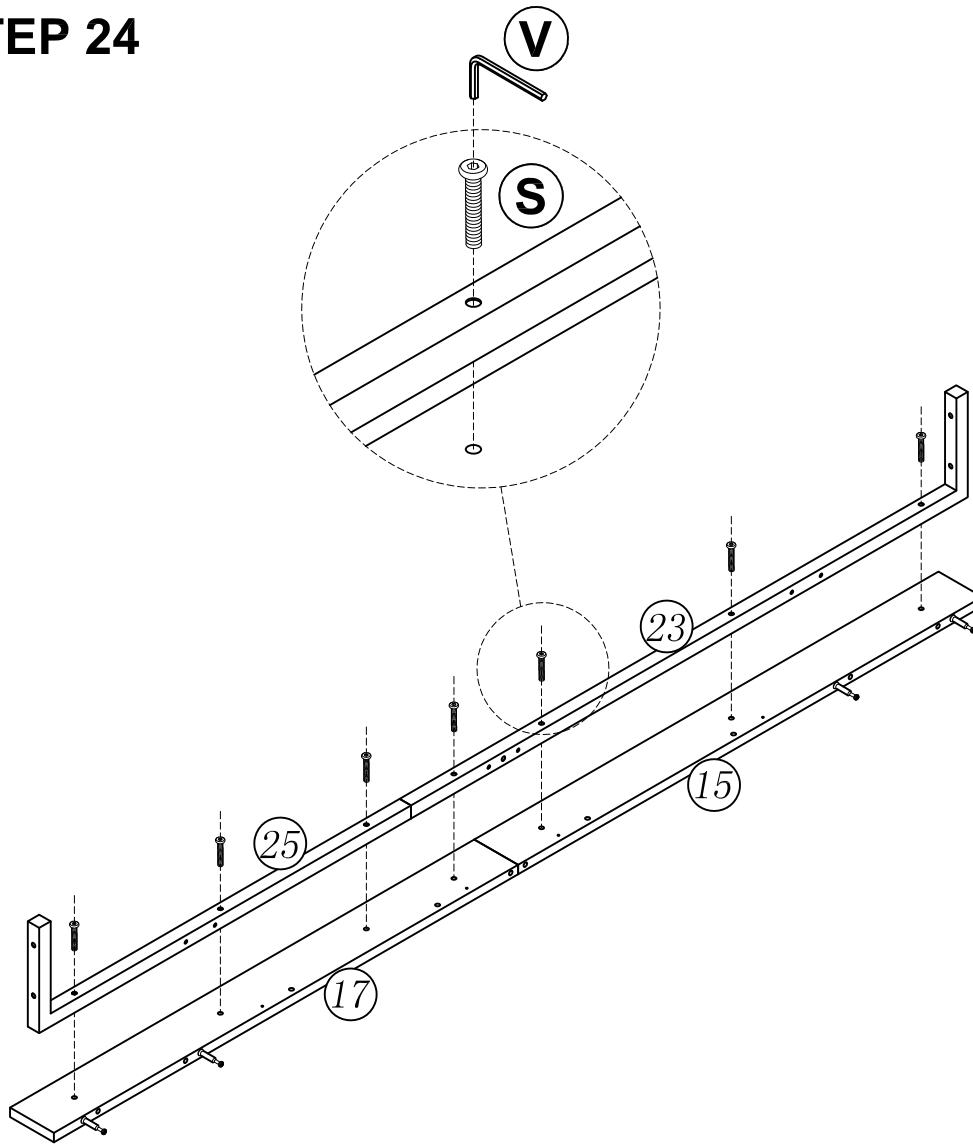
STEP 22



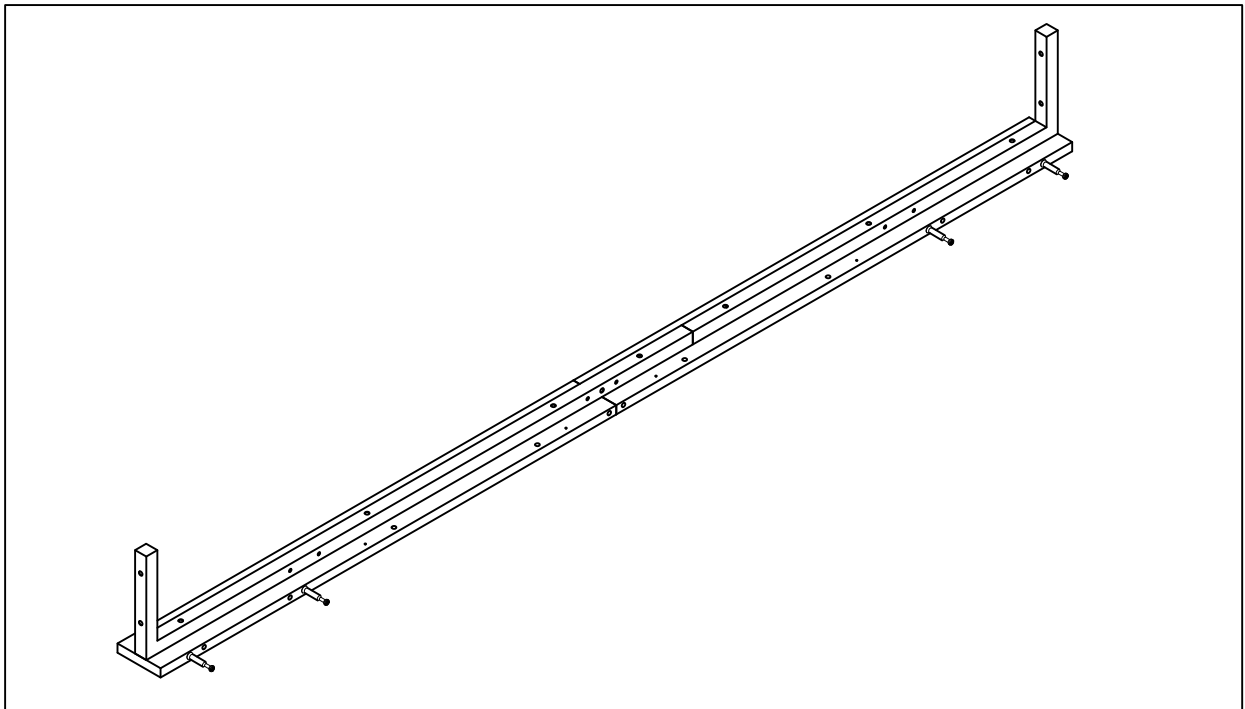
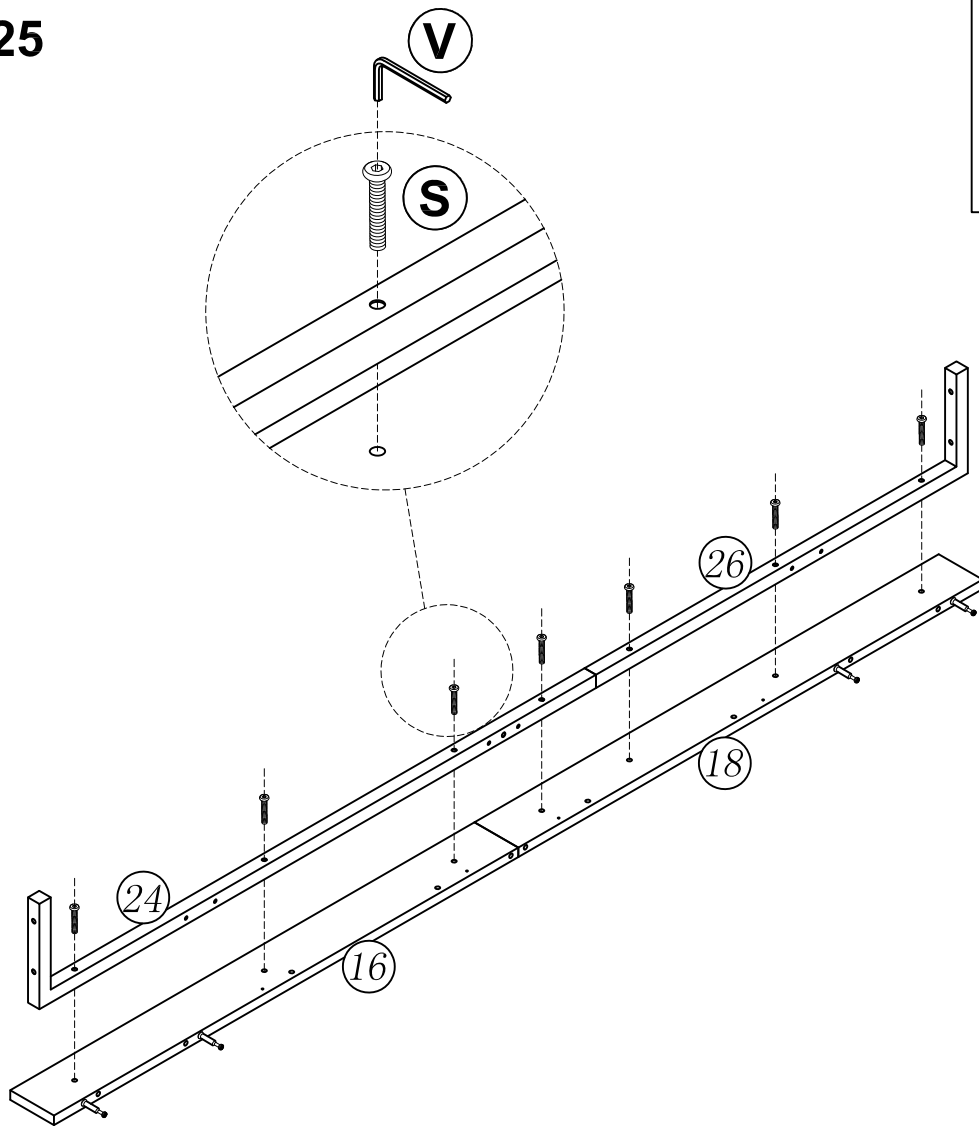
STEP 23



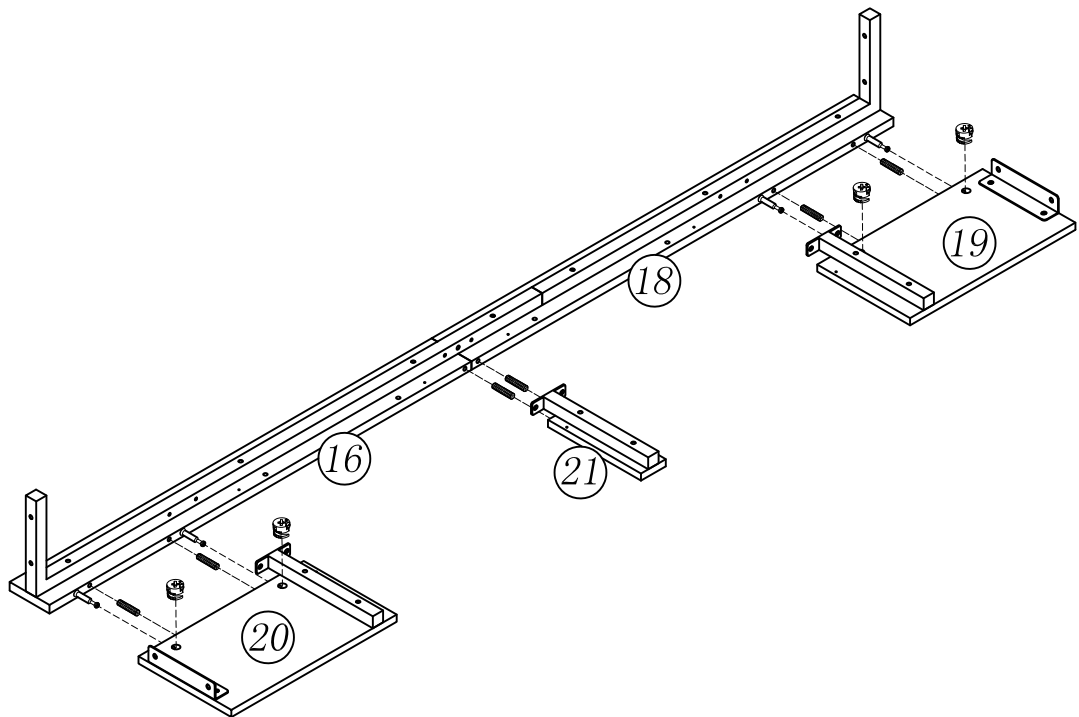
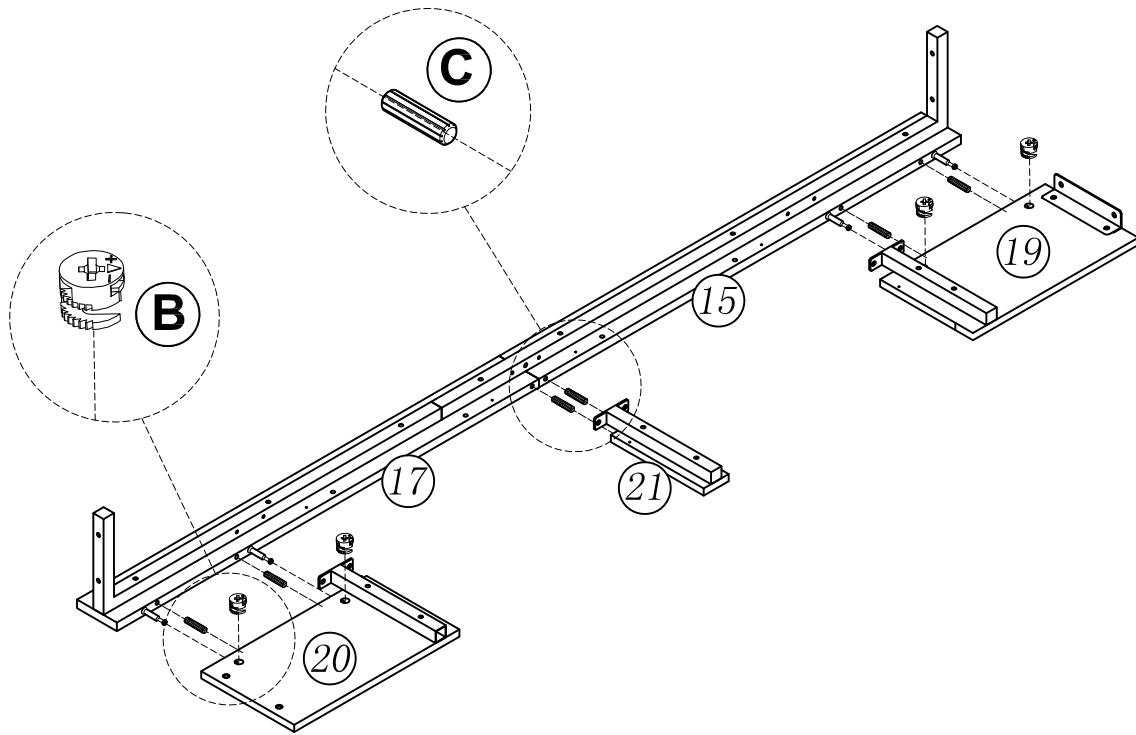
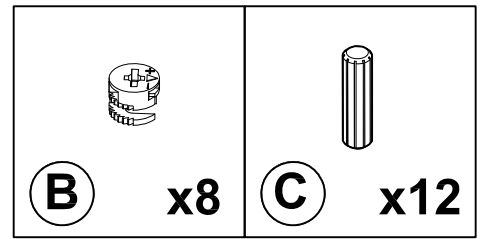
STEP 24



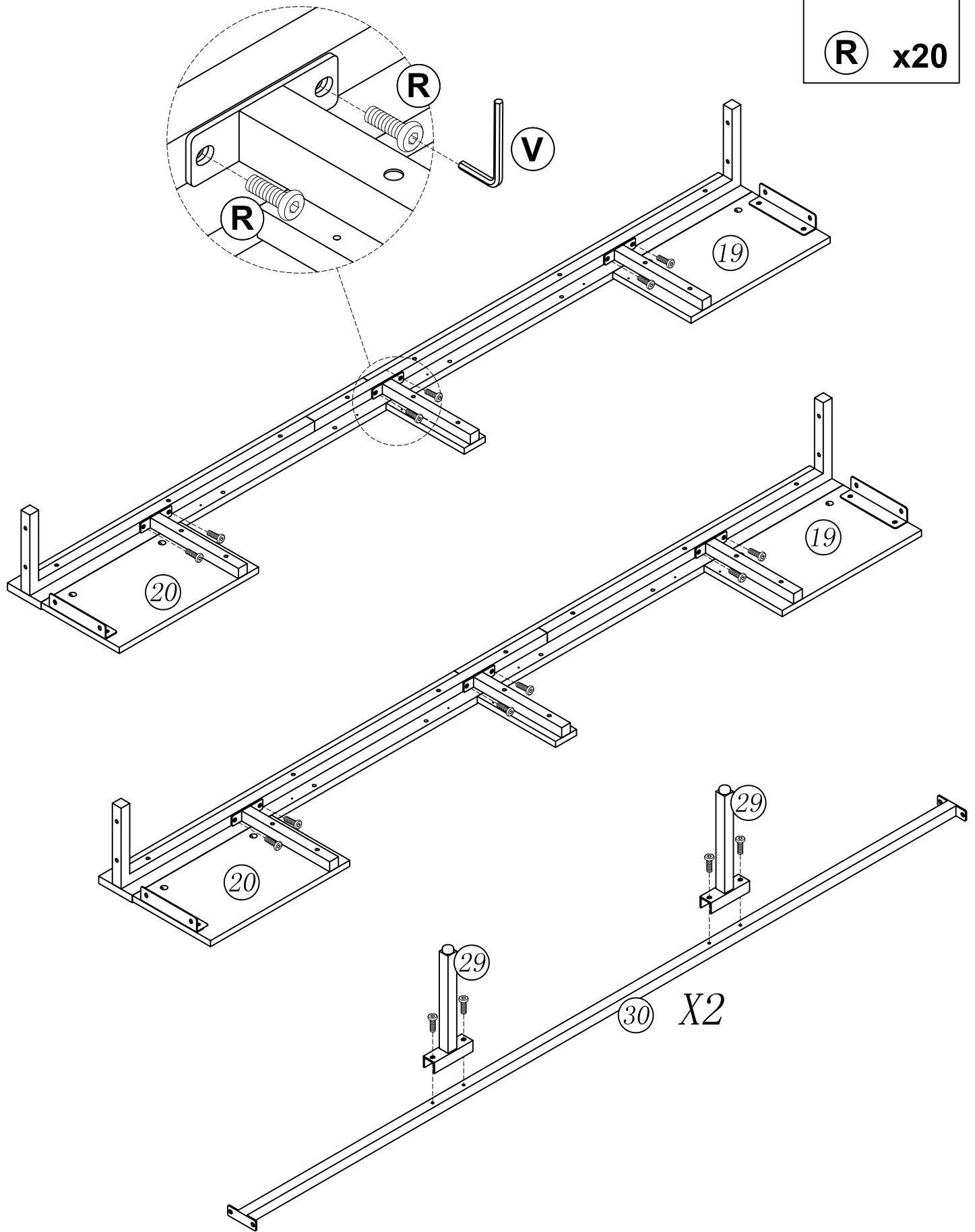
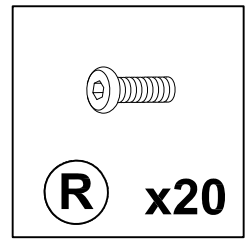
STEP 25



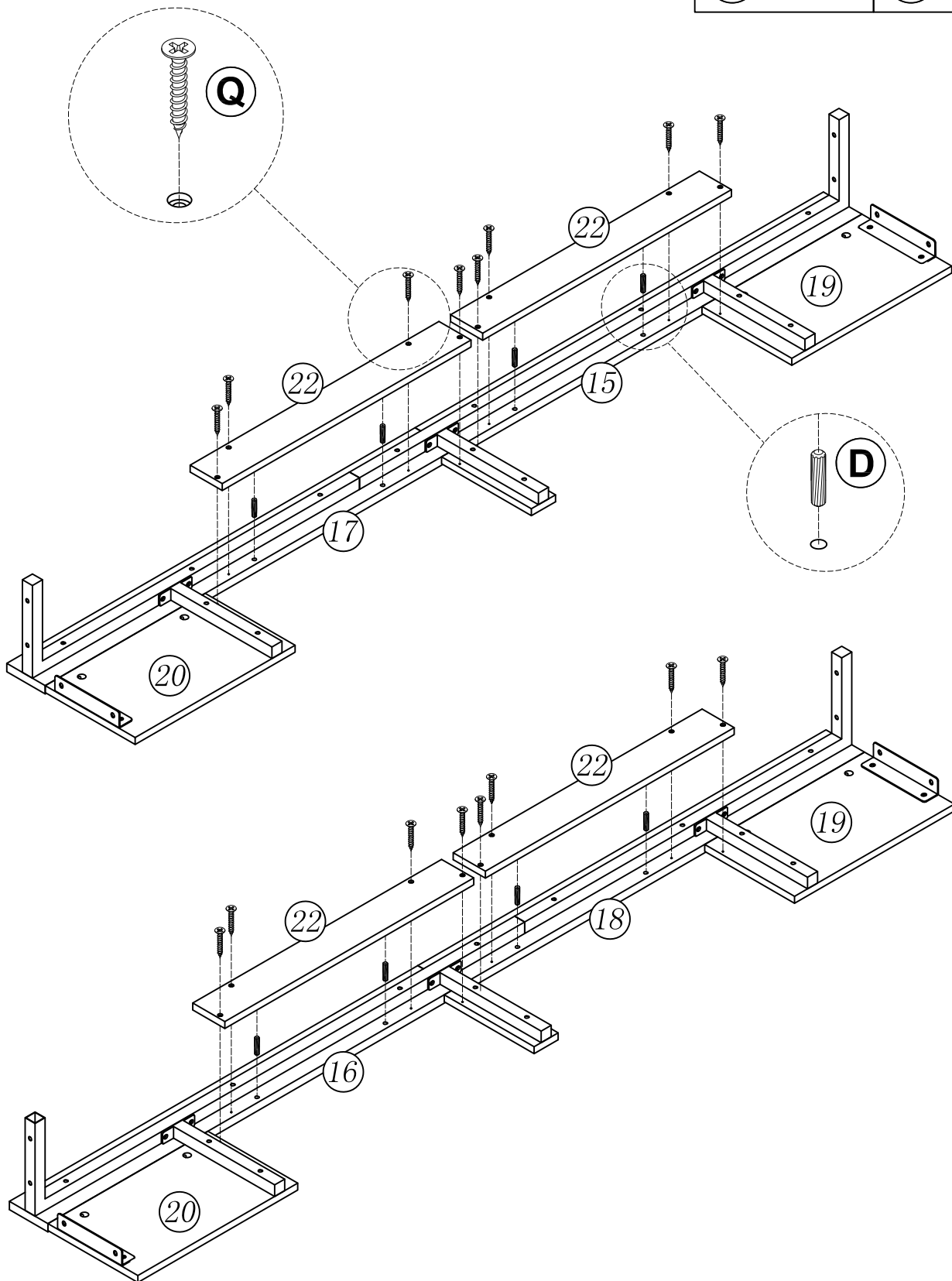
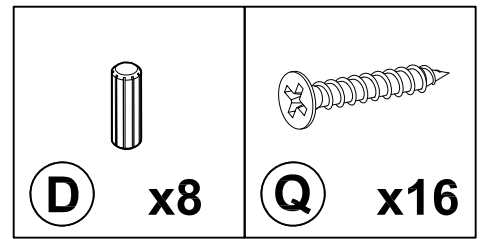
STEP 26



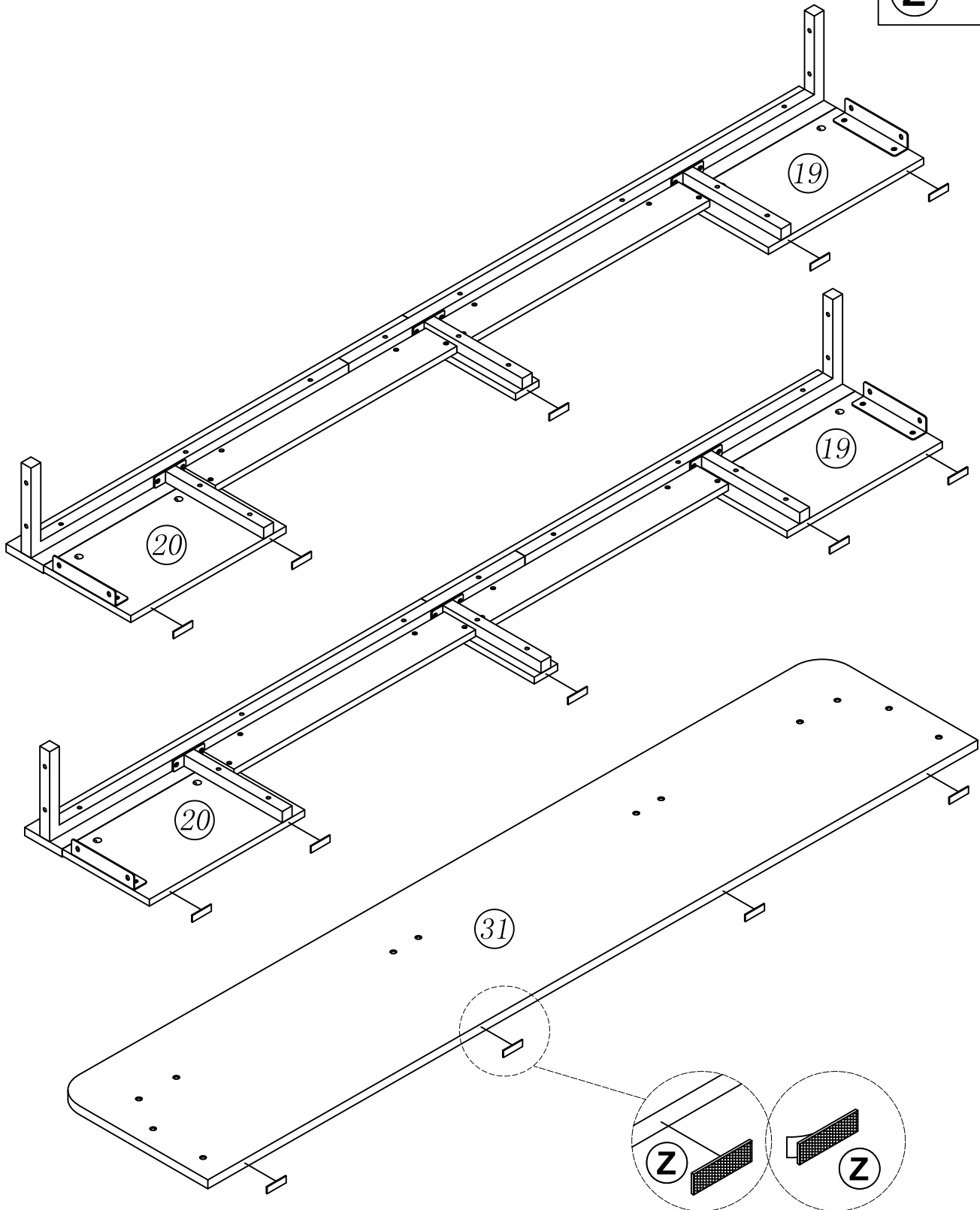
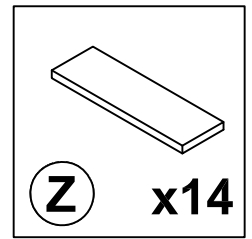
STEP 27



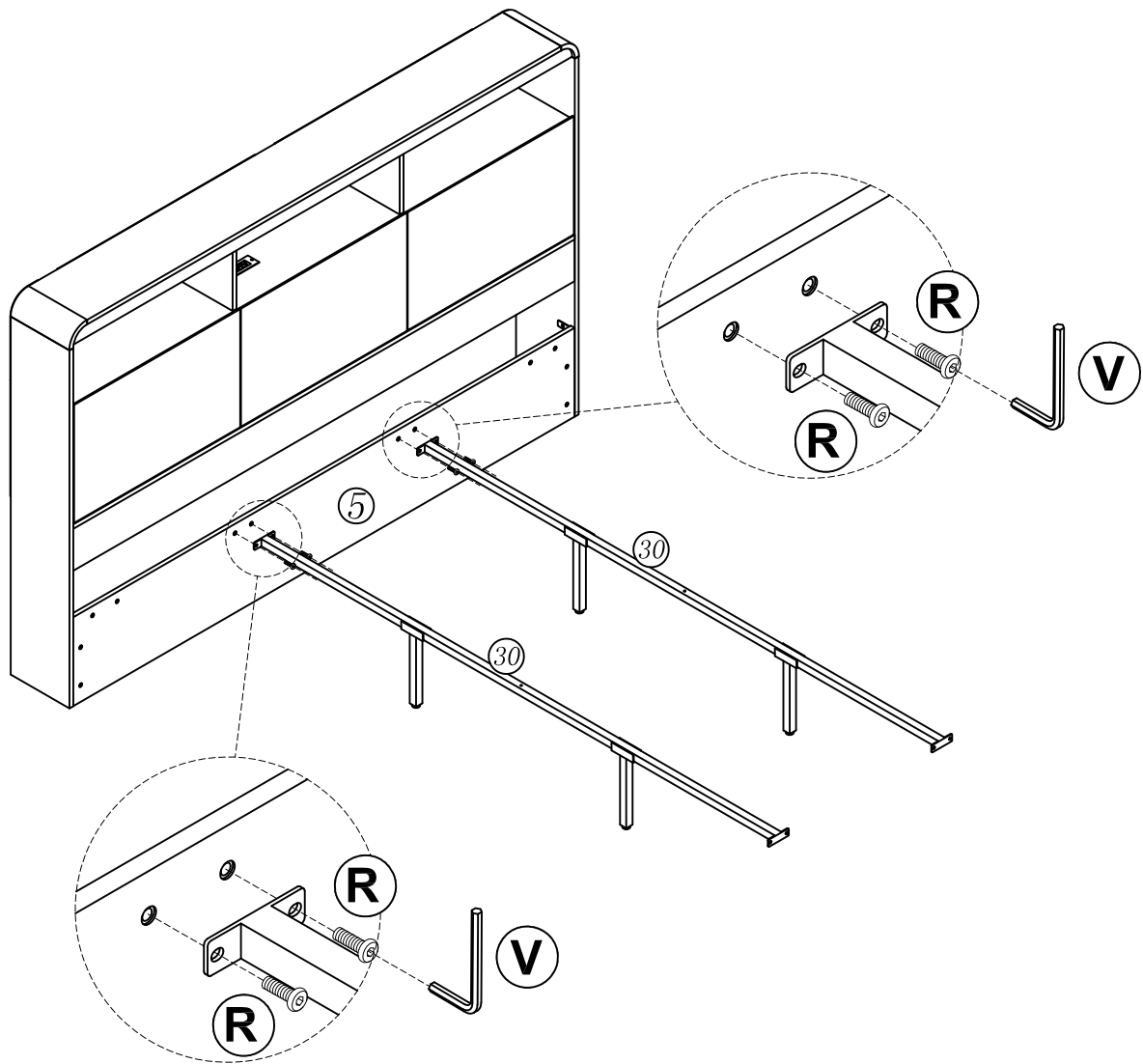
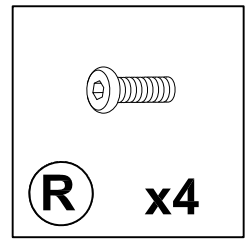
STEP 28



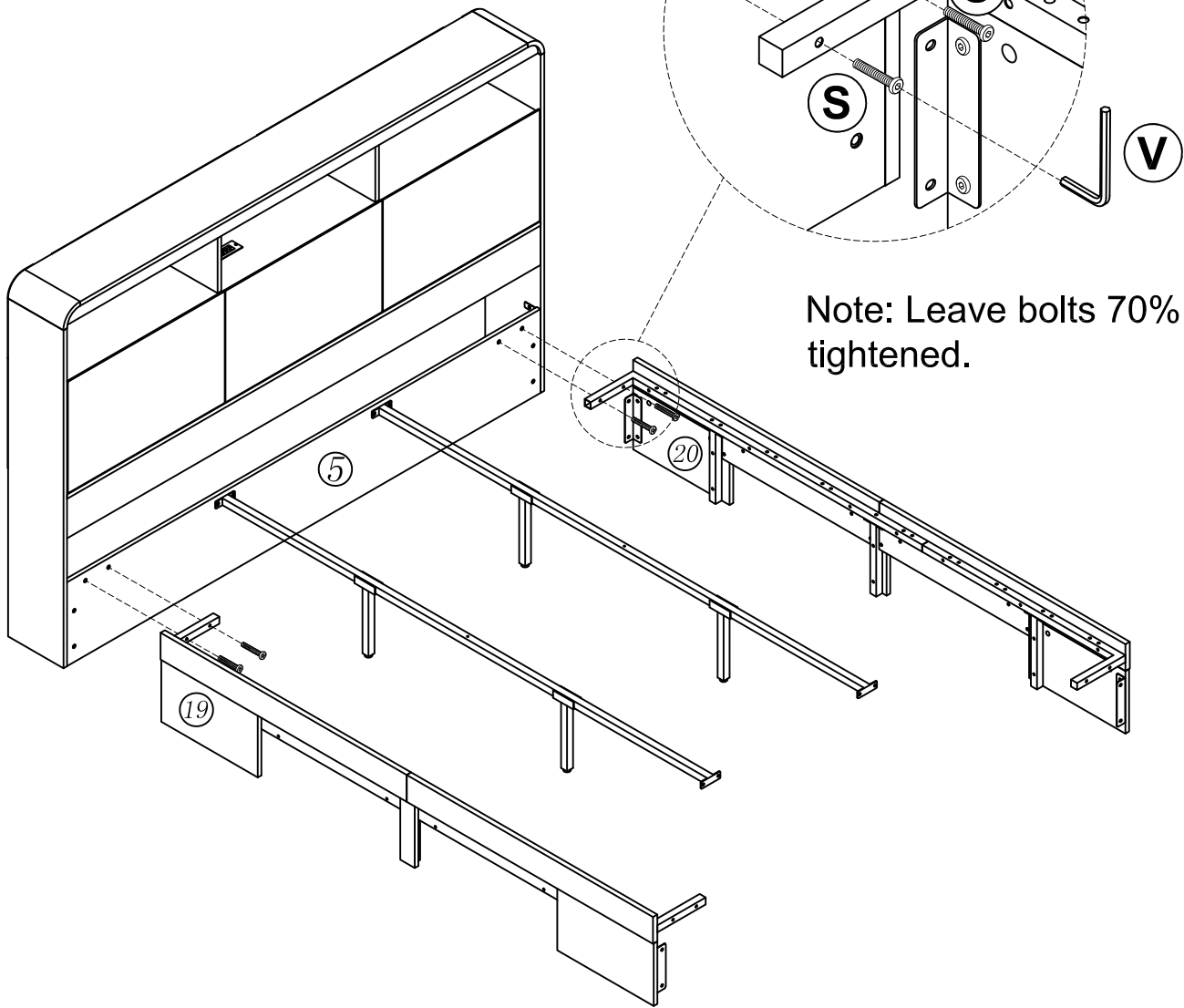
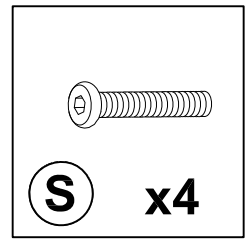
STEP 29



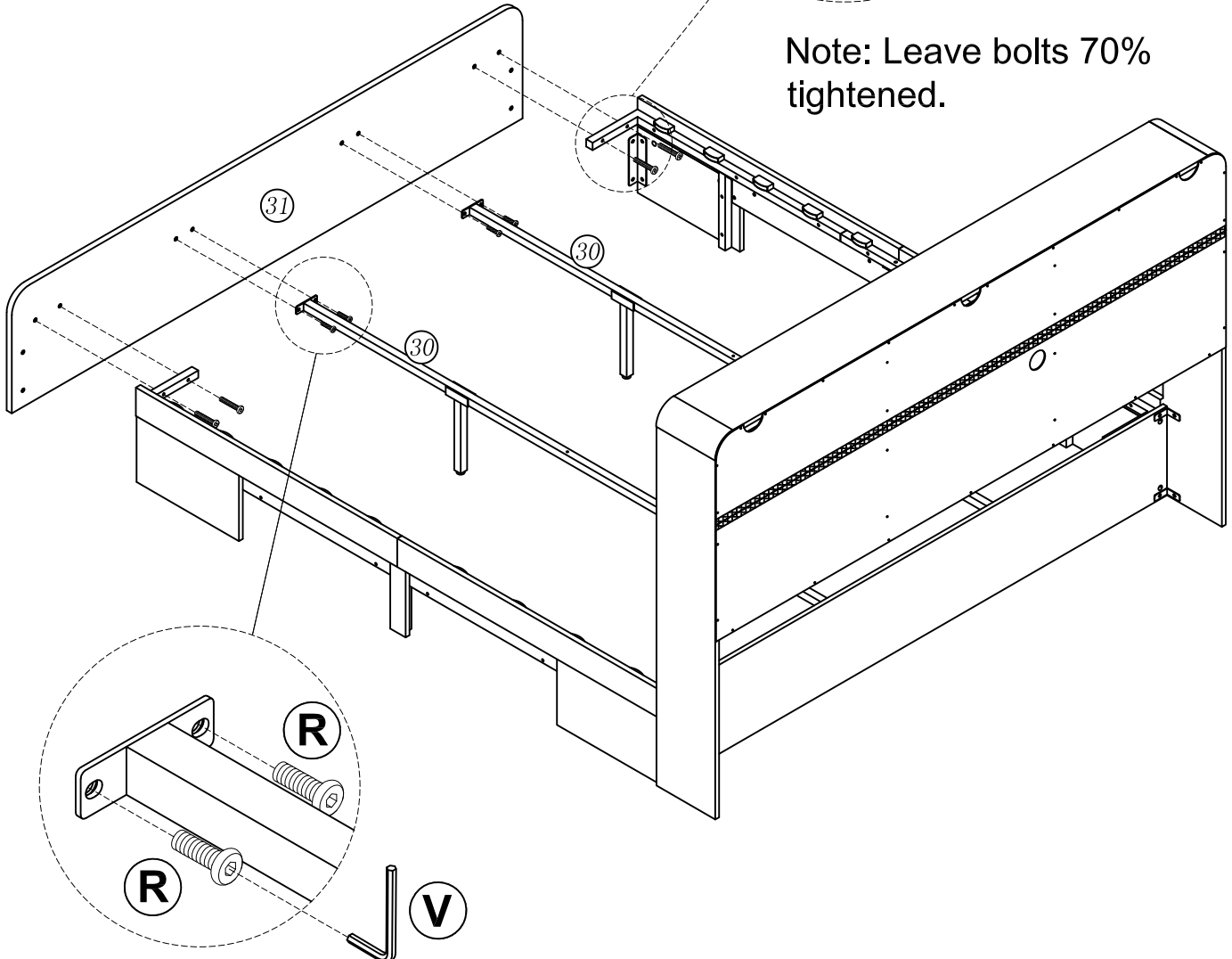
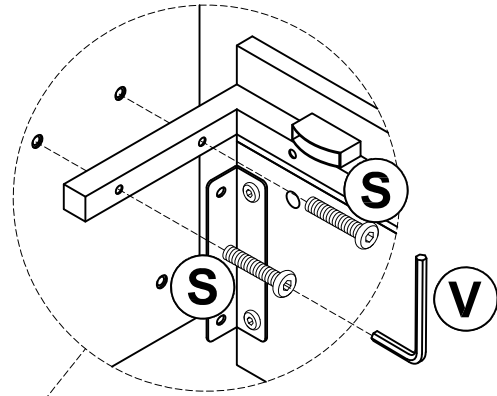
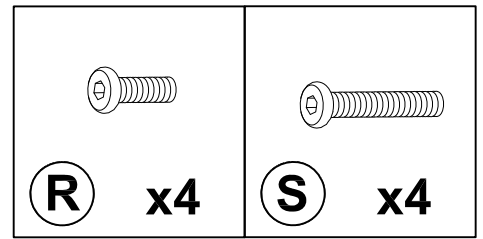
STEP 30



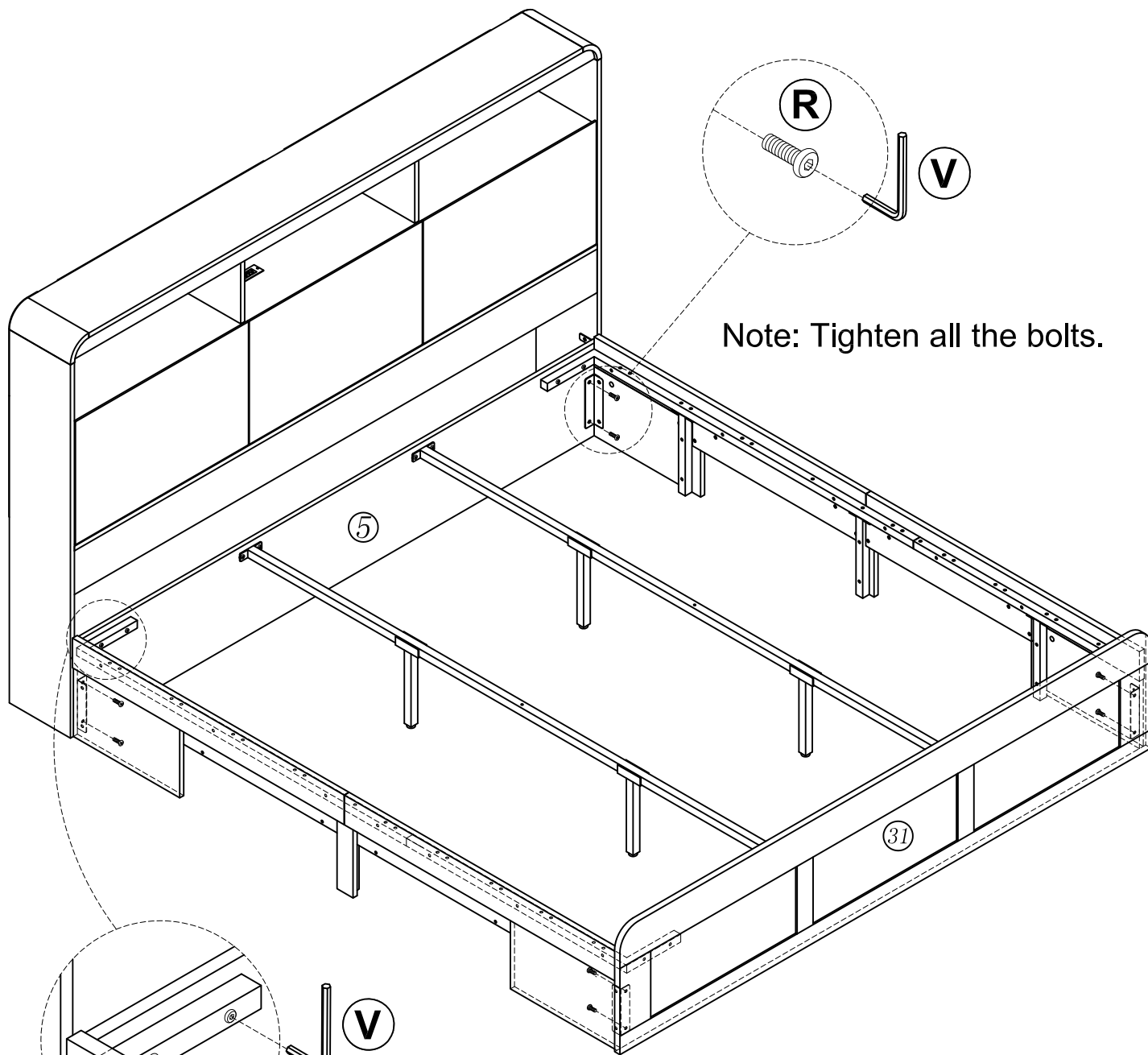
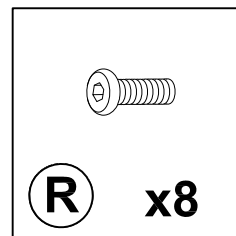
STEP 31



STEP 32

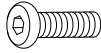
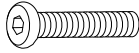


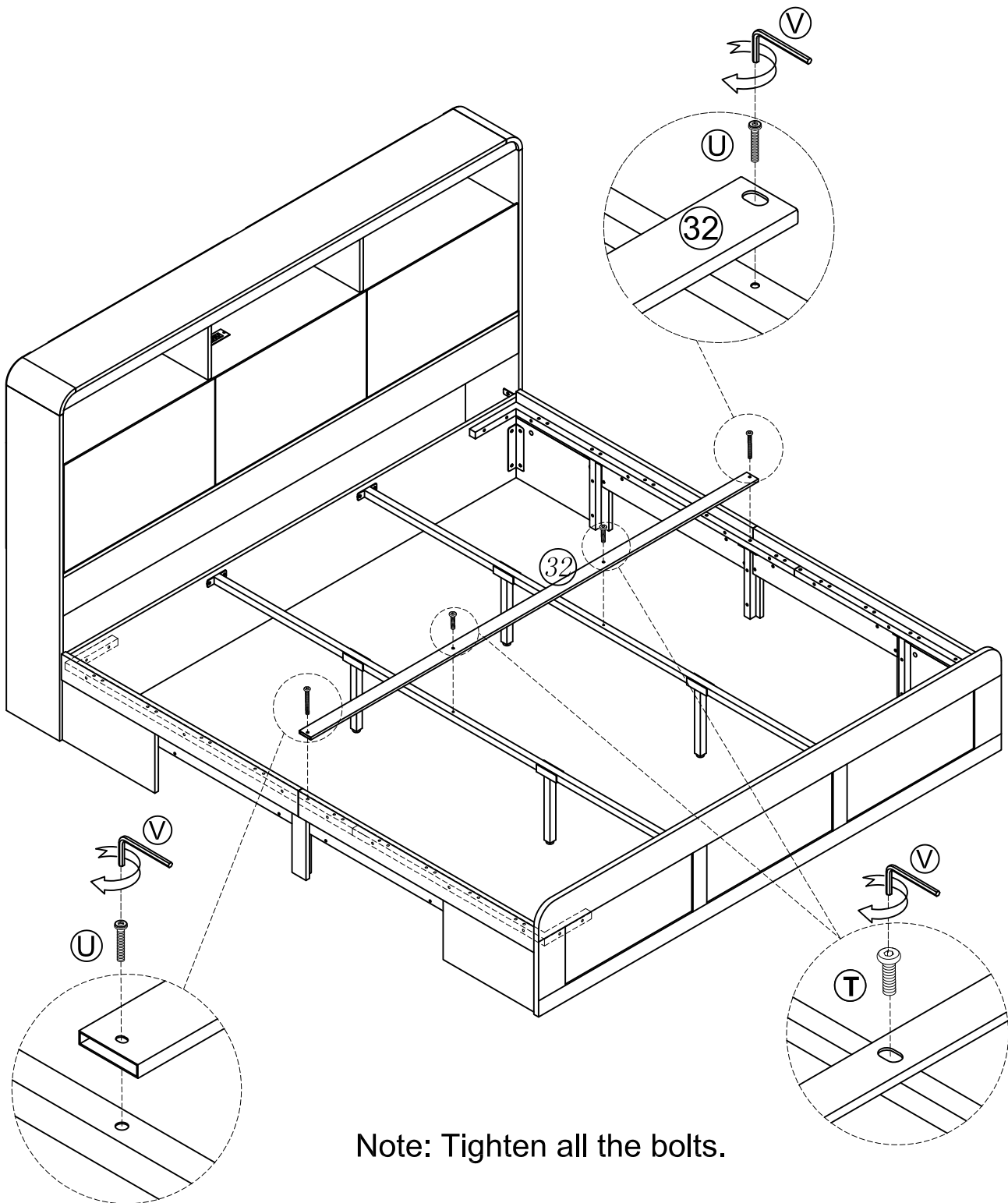
STEP 33



Note: Tighten all the bolts.

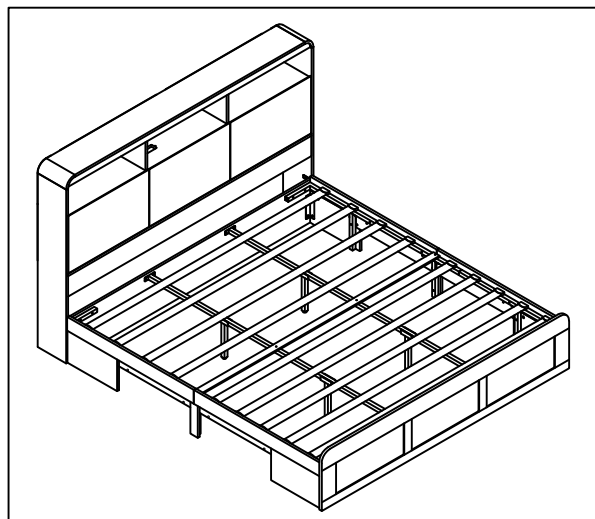
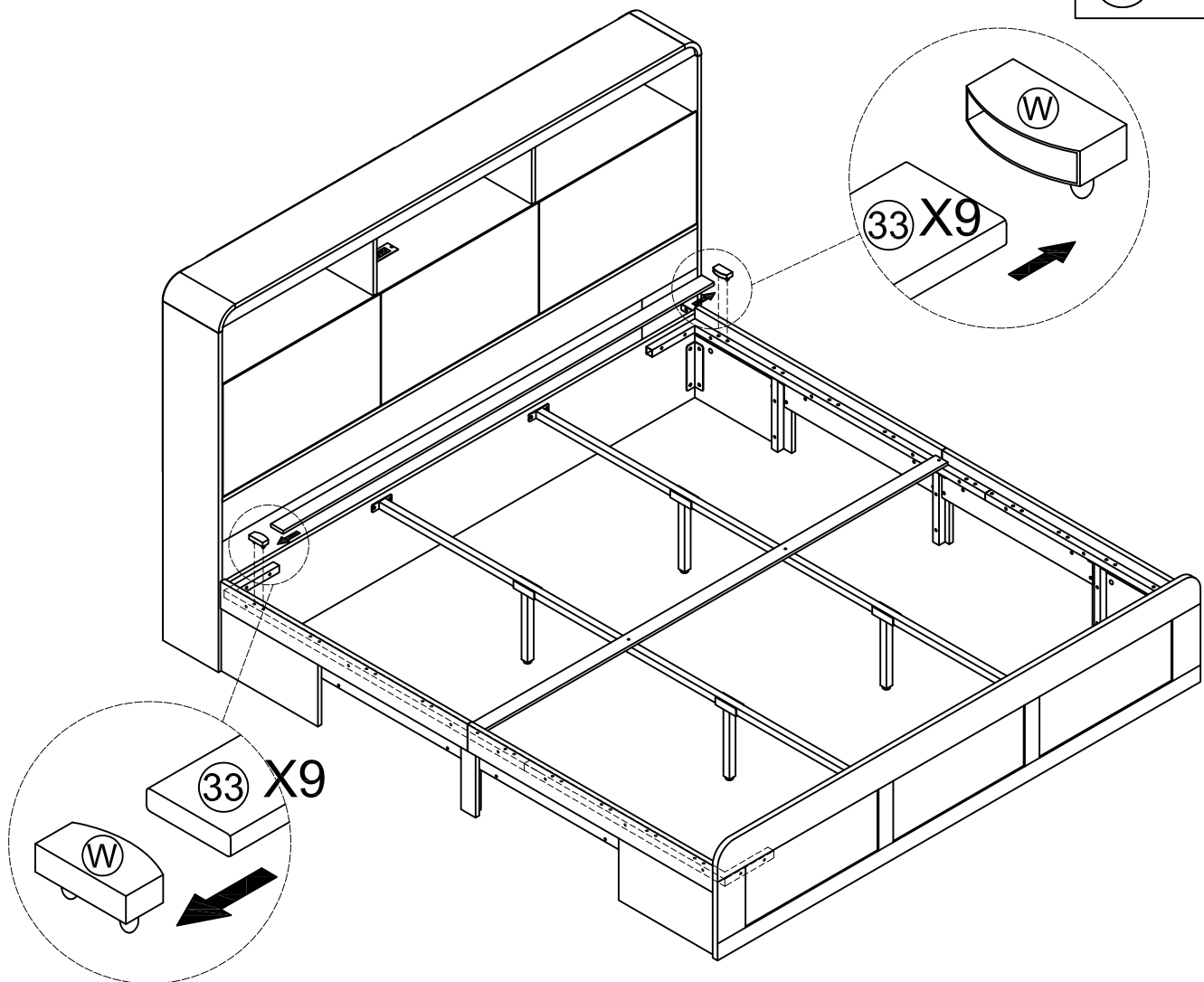
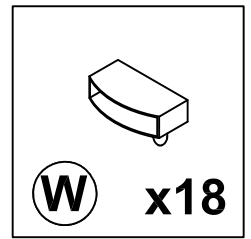
STEP 34

	
T x2	U x2

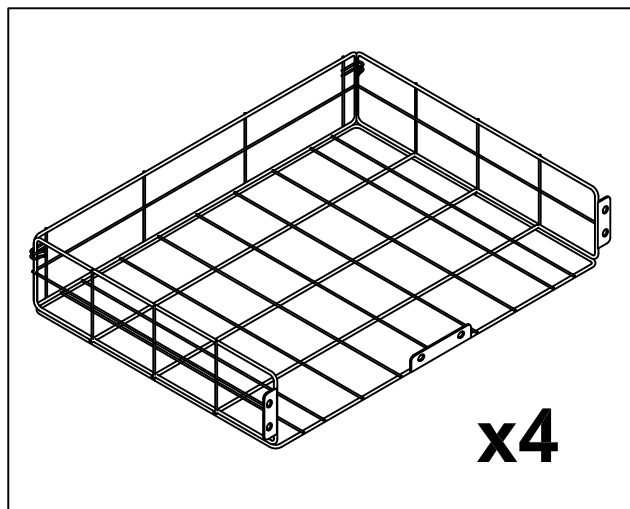
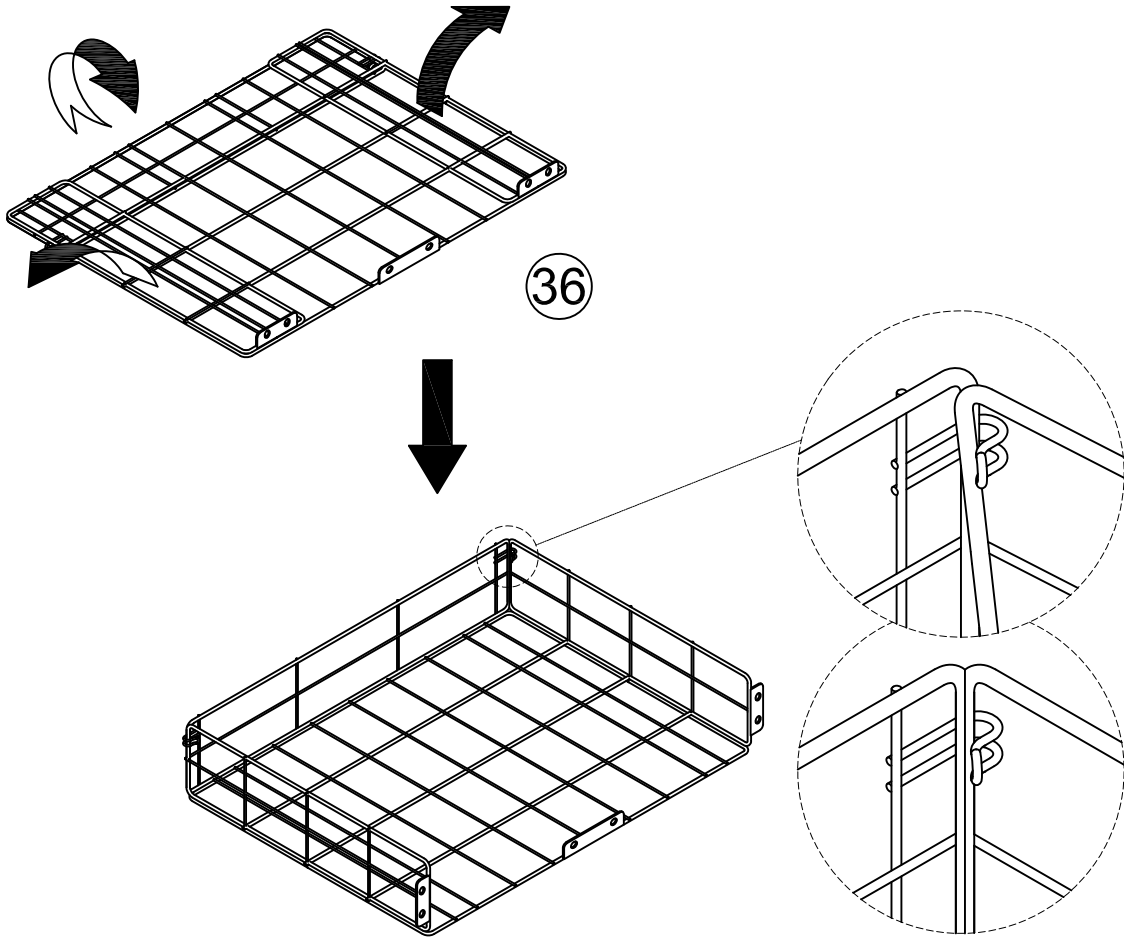


Note: Tighten all the bolts.

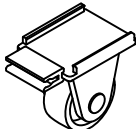
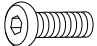
STEP 35

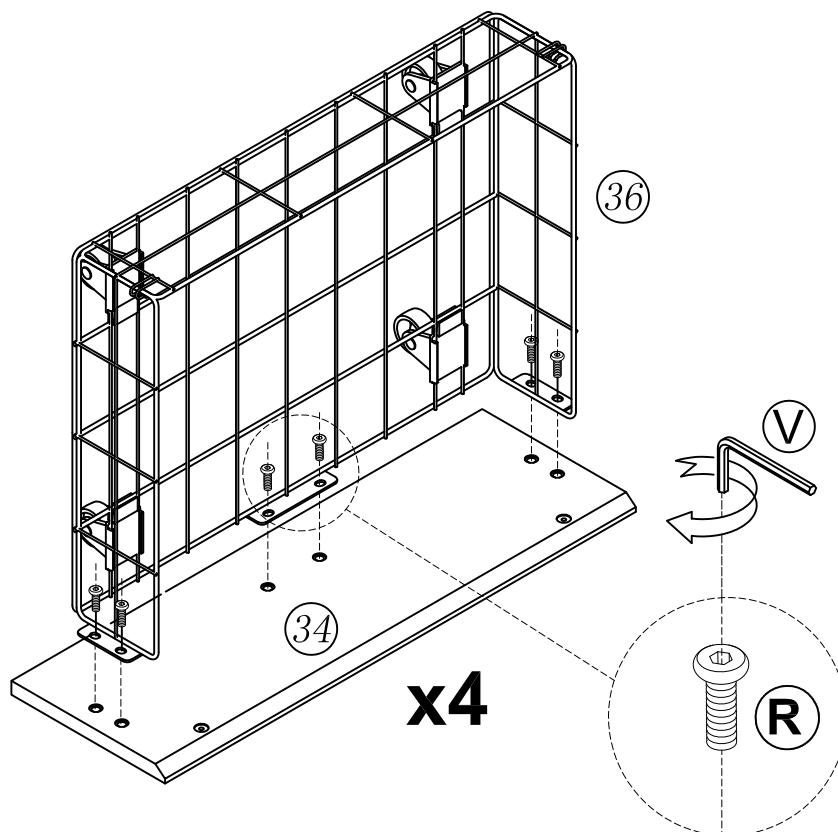
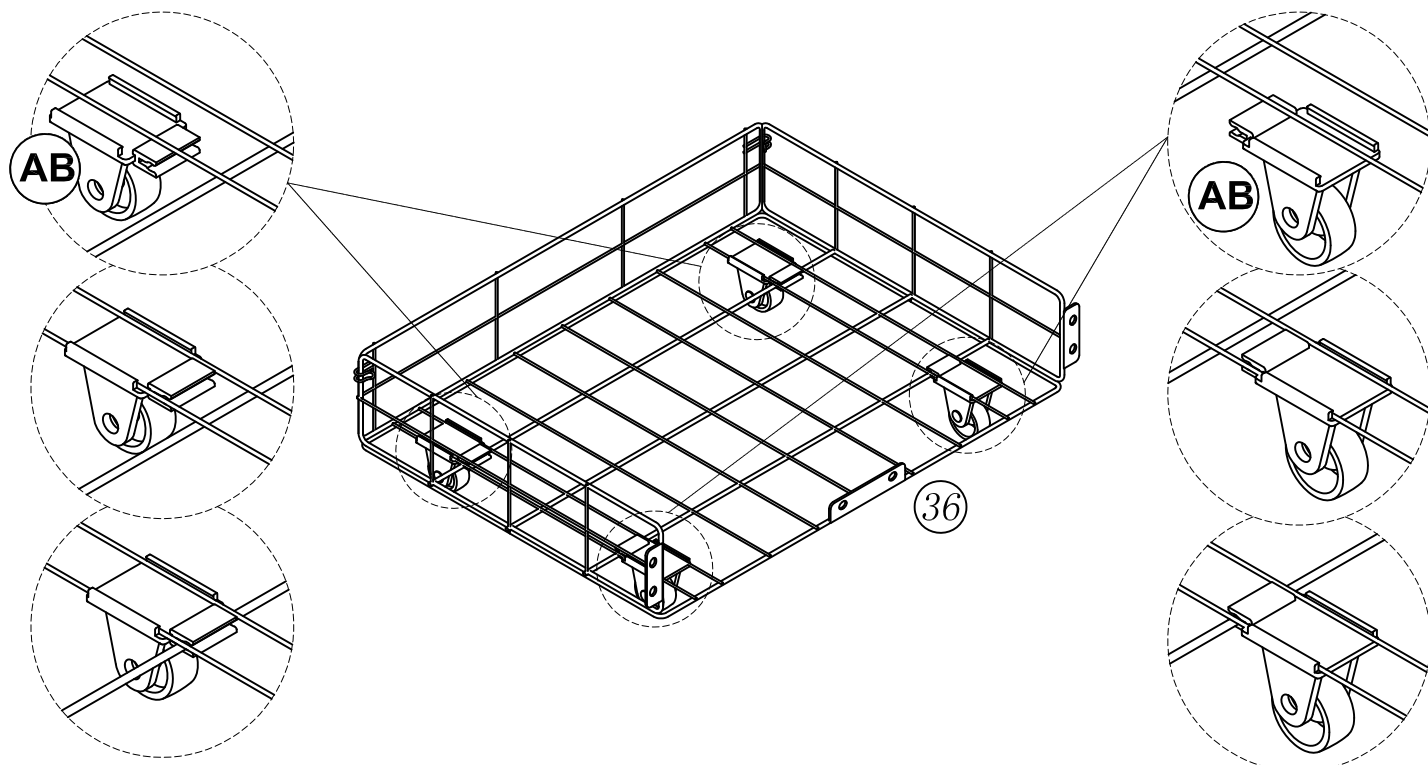


STEP 36

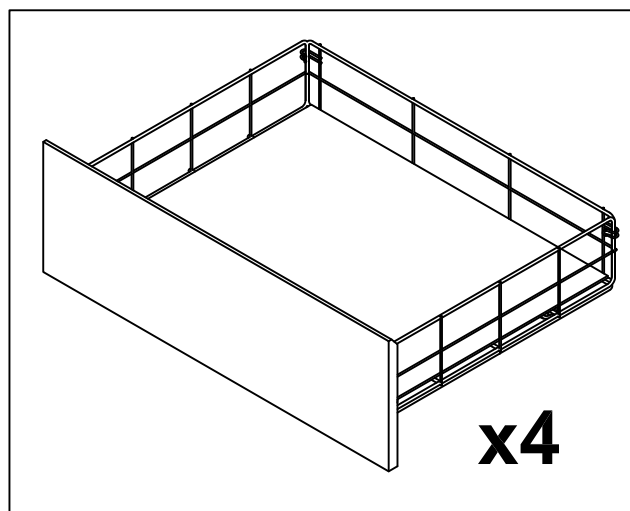
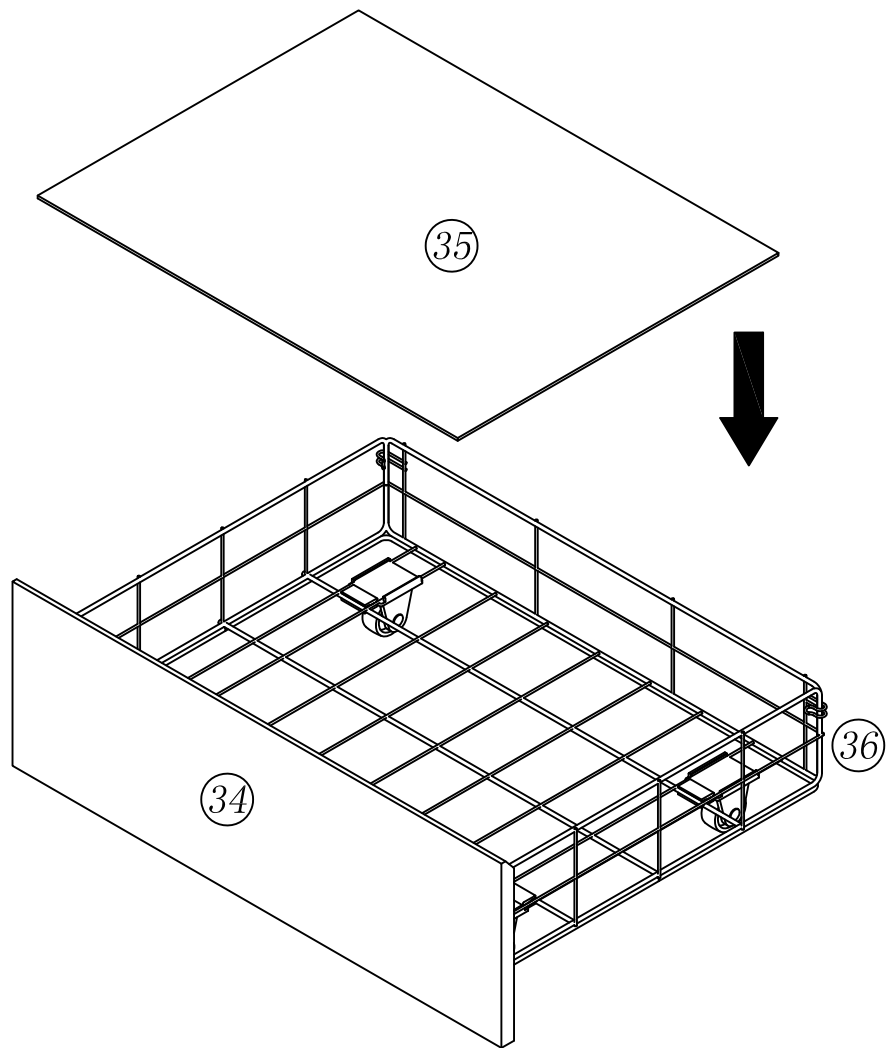


STEP 37

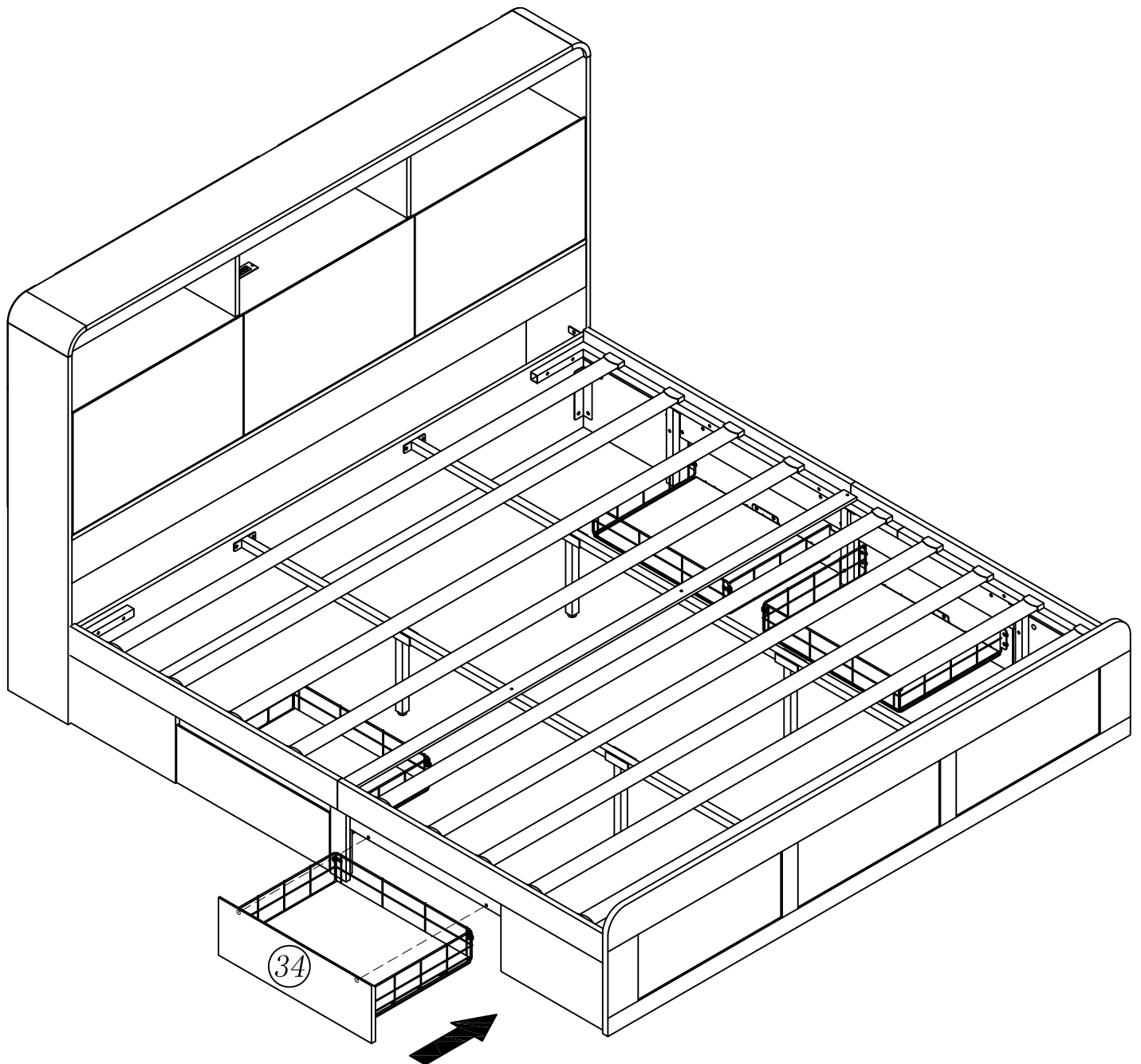
	
AB x16	R x24



STEP 38



STEP 39



Align the suction iron on the
suction surface with the magnet