

XWG-093
INSTRUCTION MANUAL
10 FT x 12 FT Steel Framed Gazebo

The gazebo comes with 3 boxes. Sometimes they may be delivered on different day, please wait 2-3 more days or contact us for help.

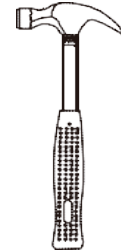
Note: The gazebo needs to be installed in cooperation with six people. The following tools are not included and needed for assembly:



Pistol Drill



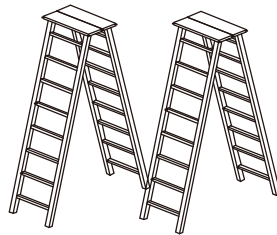
Tape Measure



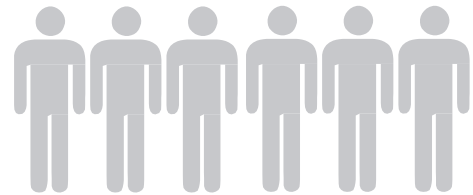
Hammer



Screw Driver



2 m Adjustable Ladder



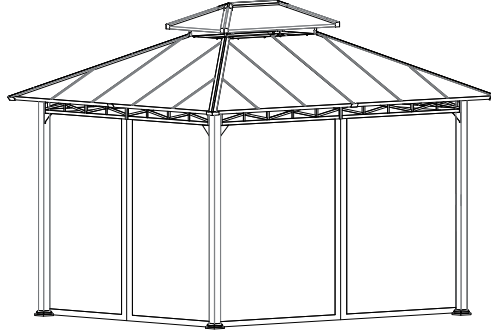
6 people

Warning

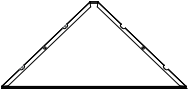

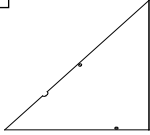

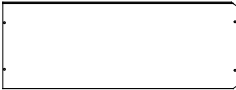



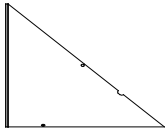
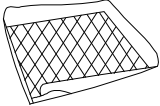
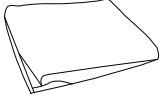
1. A 6 person assembly is required for this gazebo.
2. Please take appropriate actions as heavy rain, wind and snow can damage the gazebo. If necessary please dis-assemble and store for later use.
3. In snowy conditions, please do not allow the thickness of the snow to be more than 1.82 inch on the roof, this should be cleared as soon as possible for your safety. When the wind speed reaches 38.49 km/h, please take measures to avoid the wind.

Attention:

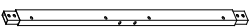

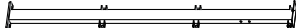
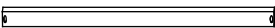

1. Please fix all the screws first, do not lock off, after assembling is fully completed, lock all at once finally.
2. Please check the manual carefully and make sure you have received all the parts.
3. If there is any missing, please let us know the letter of the parts you need.
4. If there is any damage, please send clear photos to us, we will check and offer you best solution soon.


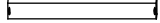

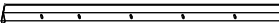
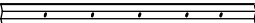
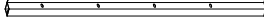
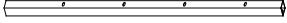
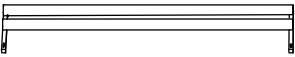
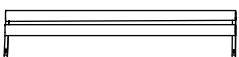

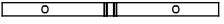
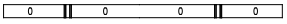

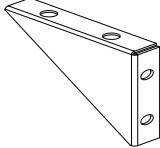
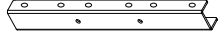



Parts List (Box A)



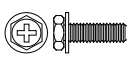
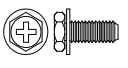


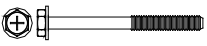
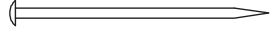


<p>P7</p>  <p>Metal panel of small roof short side</p>	<p>P8</p>  <p>Metal panel of small roof long side</p>	<p>Q10</p>  <p>Left small metal panel of large roof</p>	<p>Q11</p>  <p>Left trapezoid metal panel of large roof</p>	<p>Q12</p>  <p>Middle metal panel of large roof short side</p>
2 PCS	2 PCS	4 PCS	4 PCS	2 PCS
<p>Q13</p>  <p>Left of the center metal panel of large roof long side</p>	<p>Q14</p>  <p>Right of the center metal panel of large roof long side</p>	<p>Q15</p>  <p>Right trapezoid metal panel of large roof</p>	<p>Q16</p>  <p>Right small metal panel of large roof</p>	<p>U</p>  <p>Mosquito Net</p>
2 PCS	2 PCS	4 PCS	4 PCS	1 PC
<p>V</p>  <p>Sidewall</p>				
1 PC				

Parts List (Box B)

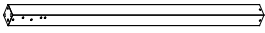




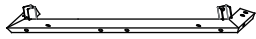
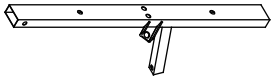
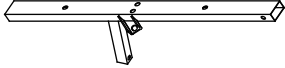
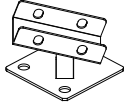
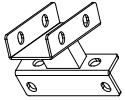
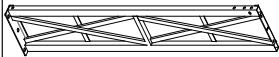
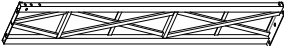
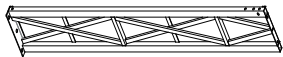
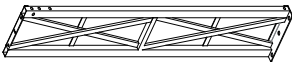
<p>E1</p>  <p>Long top tube of large roof</p>	<p>G</p>  <p>Bevel beam of large roof</p>	<p>H</p>  <p>Middle beam of large roof</p>	<p>L11</p>  <p>Short beam of small roof</p>	<p>L12</p>  <p>Upper short beam of large roof long side</p>
2 PCS	4 PCS	4 PCS	2 PCS	4 PCS

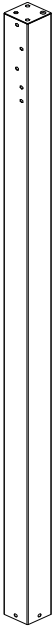
L13  Lower short beam of large roof long side 4 PCS	L14  Upper short beam of large roof short side 4 PCS	L15  Lower short beam of large roof short side 4 PCS	L16  Left baffle tube of large roof long side 2 PCS	L17  Right baffle tube of large roof long side 2 PCS
L18  Left baffle tube of large roof short side 2 PCS	L19  Right baffle tube of large roof short side 2 PCS	M6  Long tube for Mosquito net 4 PCS	M7  Short tube for Mosquito net 4 PCS	R9  Bevel beam cover plate of large roof 4 PCS
S4  Metal sheet 3 2 PCS	S5  Metal sheet 2 8 PCS	C  Stake panel 4 PCS	T  Triangular supporting part 8 PCS	J4  Connector for beam 8 PCS
R8  Bevel beam cover plate of small roof 4 PCS				

Hardware List

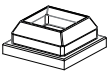
BB  M6 washer 20 PCS	DD  M6 Nut 20 PCS	FF  Cross outer hexagon bolt M6*20 280 PCS	GG  Cross outer hexagon bolt M6*15 12 PCS	HH  Q type ring 104 PCS
JJ  Cross outer hexagon bolt M6*55 20 PCS	LL  Cross outer hexagon bolt M6*60 2 PCS	PP  Stake ø8*180 8 PCS	QQ  Cross outer hexagon bolt M6*40 16 PCS	Z1  M6 wrench 2 PCS

Parts List (Box C)

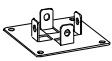
<p>A</p>  <p>Leg</p>	<p>B</p>  <p>Stake cover</p>	<p>R7</p>  <p>Middle cover plate of small roof</p>	<p>D</p>  <p>Small roof fastening piece</p>	<p>P</p>  <p>Hook</p>
<p>4 PCS</p>	<p>4 PCS</p>	<p>1 PC</p>	<p>1 PC</p>	<p>1 PC</p>
<p>E2</p>  <p>Short top tube of large roof</p>	<p>F1</p>  <p>Left bevel beam of small roof</p>	<p>F2</p>  <p>Right bevel beam of small roof</p>	<p>I</p>  <p>Connector for bevel beam</p>	<p>J3</p>  <p>Connector for middle beam</p>
<p>2 PCS</p>	<p>2 PCS</p>	<p>2 PCS</p>	<p>4 PCS</p>	<p>4 PCS</p>
<p>K4</p>  <p>Bevel beam cover plate of large roof</p>	<p>K1</p>  <p>Right baffle tube of large roof short side</p>	<p>K2</p>  <p>Long tube for Mosquito net</p>	<p>K3</p>  <p>Short tube for Mosquito net</p>	
<p>2 PCS</p>	<p>2 PCS</p>	<p>2 PCS</p>	<p>2 PCS</p>	



A 4x



B 4x



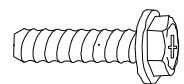
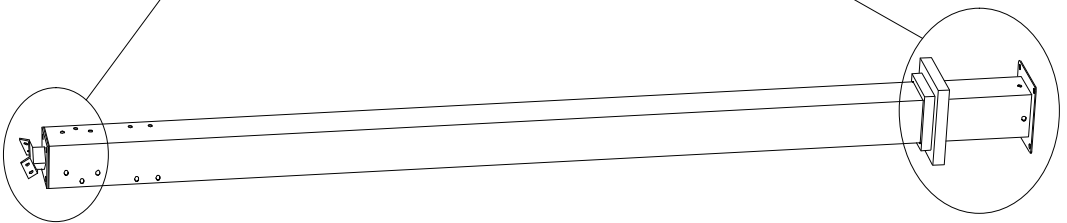
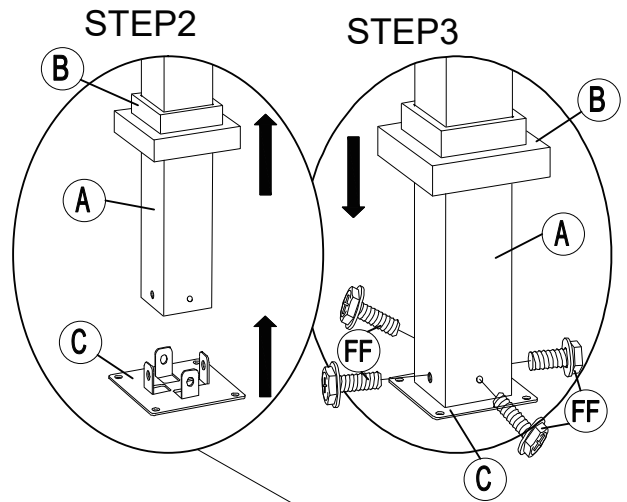
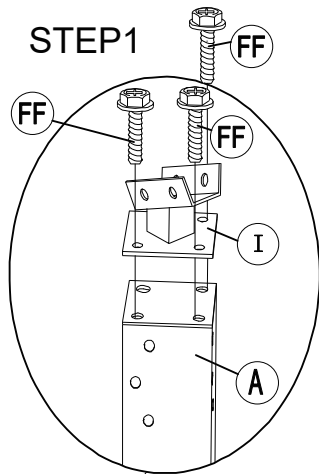
C 4x



I 4x

1

<1>



FF 28x

M6x20

<2>



K1 2x



K2 2x

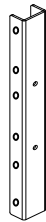


K3 2x



K4 2x

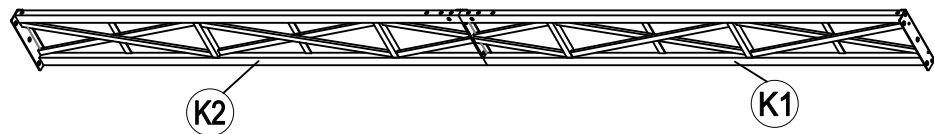
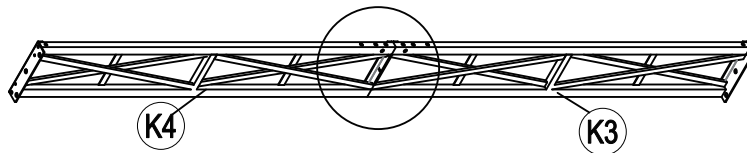
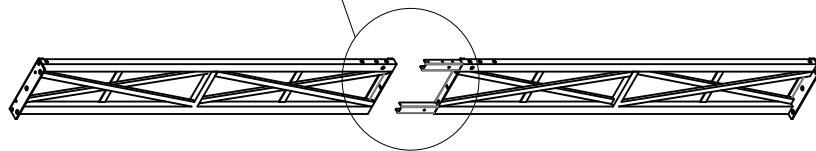
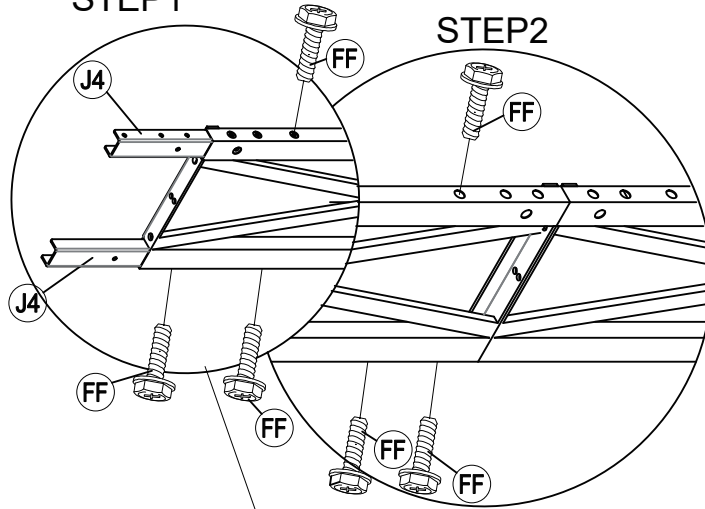
2



J4 8x

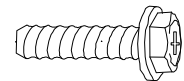
STEP1

STEP2



Attention :

1. Pls notice the direction of J4 when assemble.
2. Join the J4 with K1 and K2, K3 and K4 using FF one side by one side.



M6x20

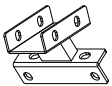
FF 24x

<3>

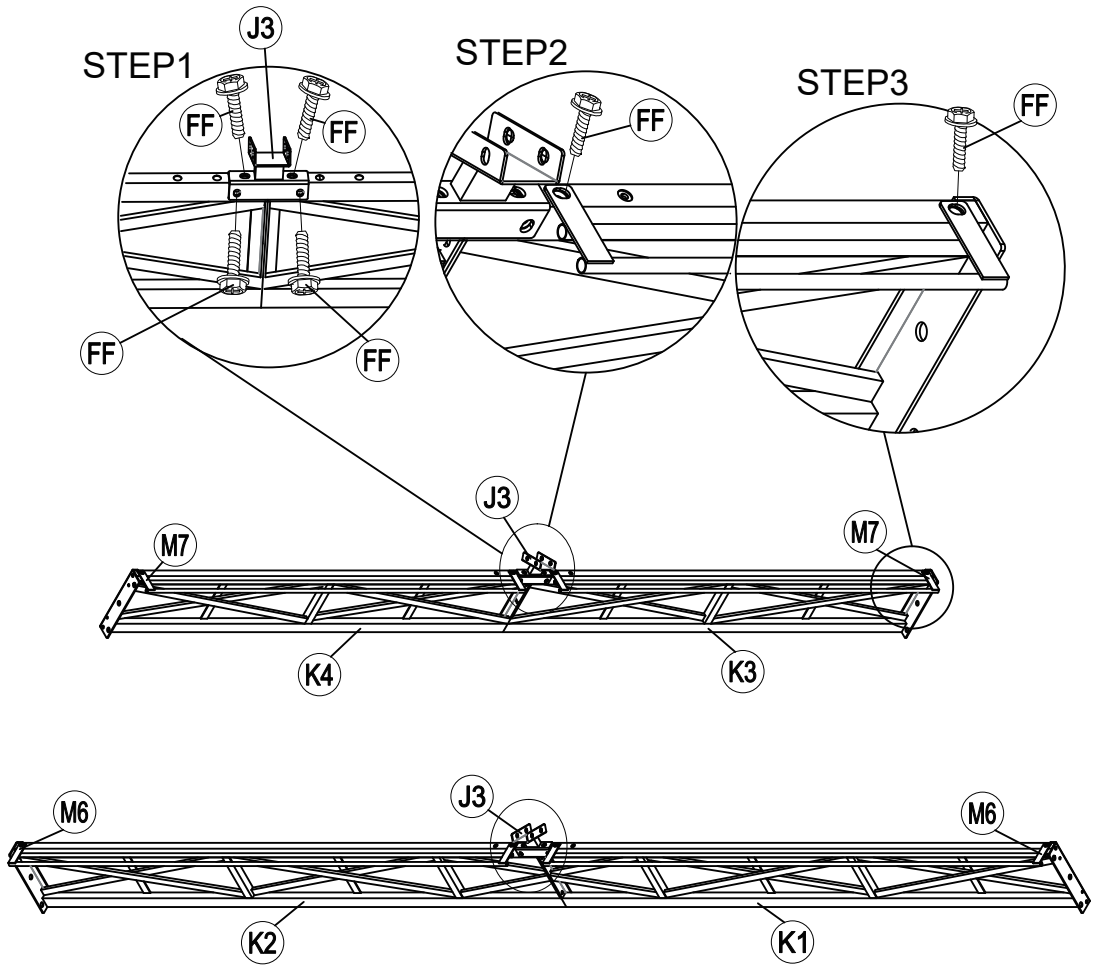
M6 4x



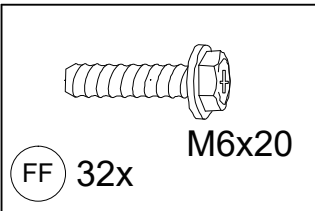
M7 4x



J3 4x



3



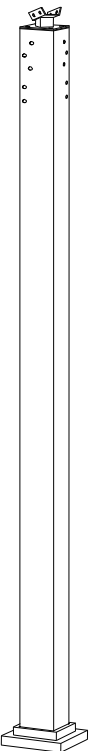
<4>

K3



2x

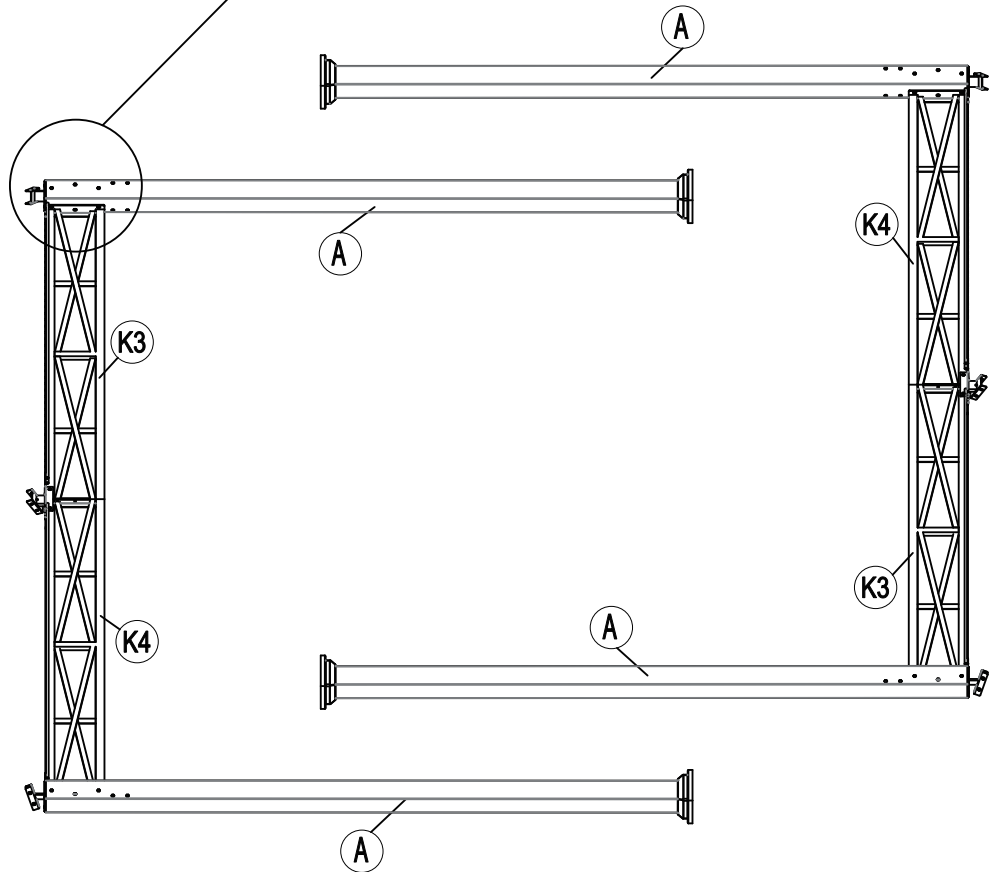
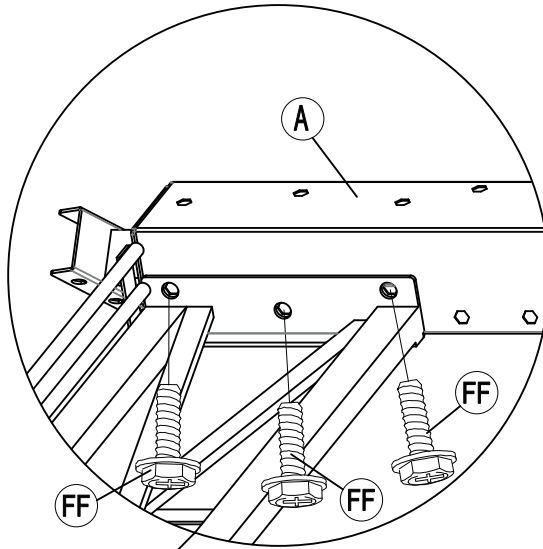
K4



4x

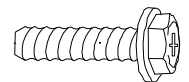
A

4



Attention :

Pls notice the direction of the A pole when assemble.

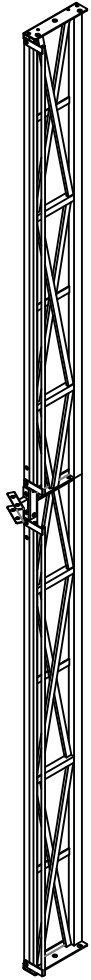


M6x20

FF 12x

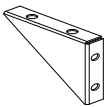
<5>

K1



K2

2x

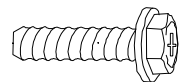
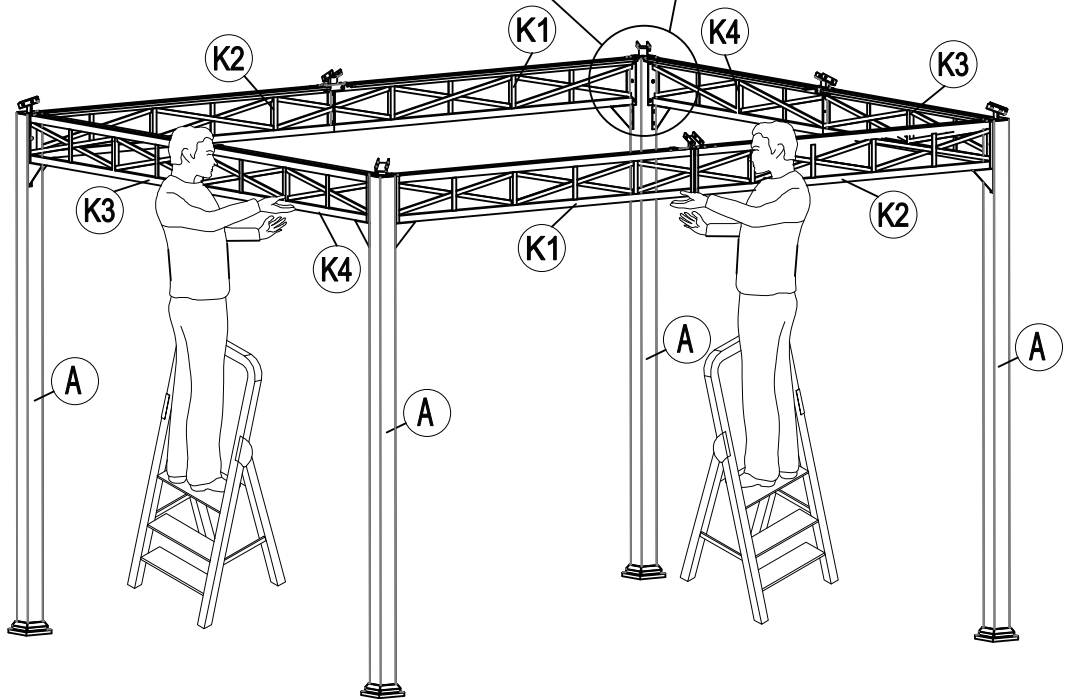
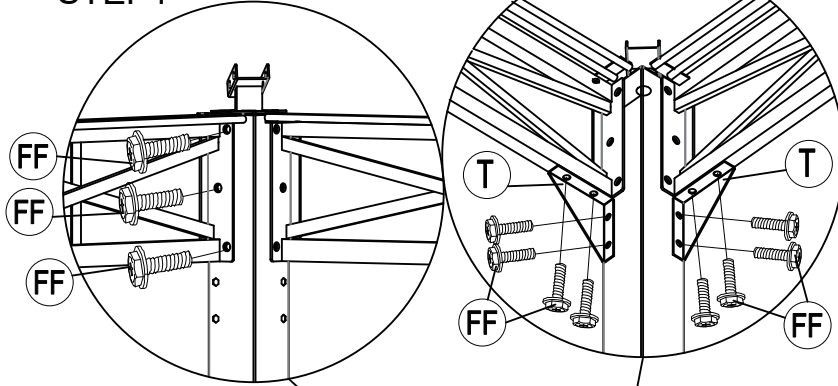


T 8x

5

STEP2

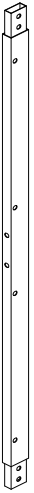
STEP1



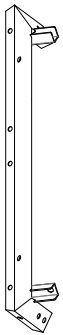
FF 44x

M6x20

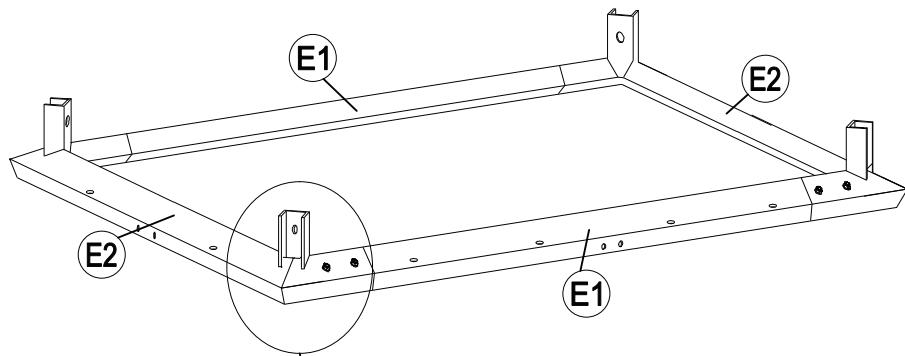
<6>



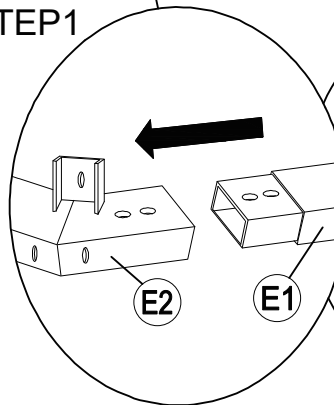
E1 2x



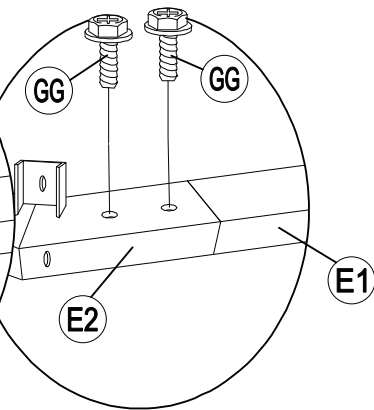
E2 2x



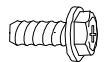
STEP1



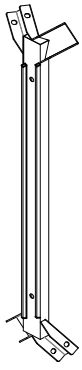
STEP2



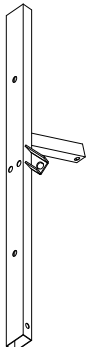
6



GG 8x
M6x15



D 1x

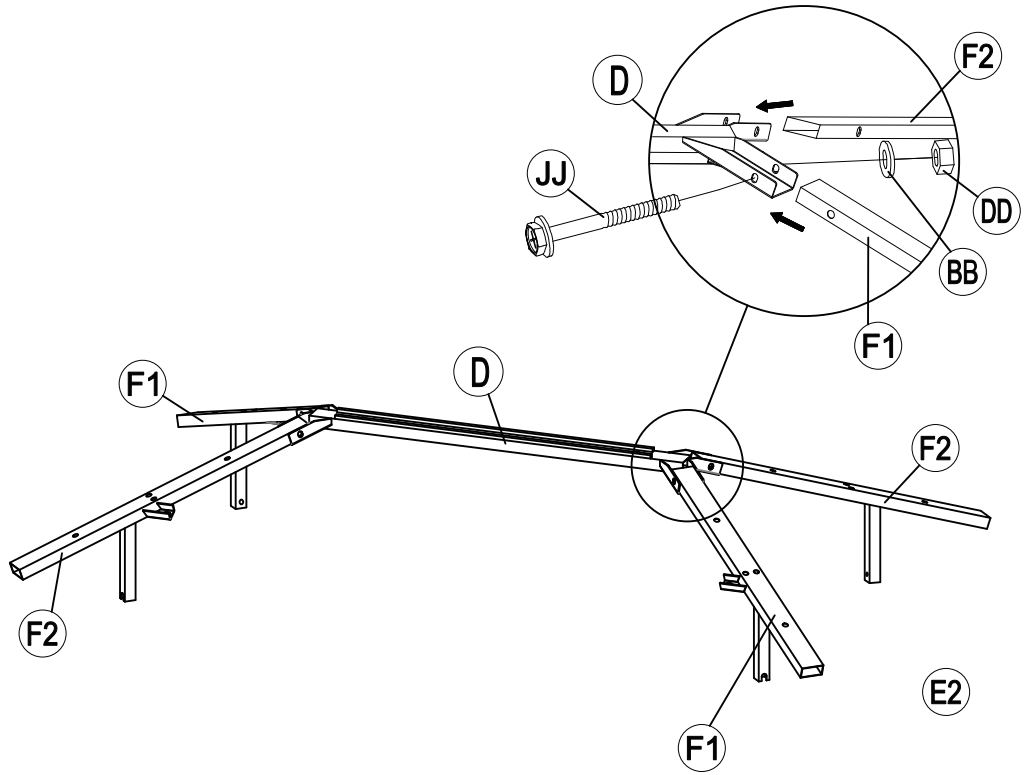


F1 2x



F2 2x

<7>



7



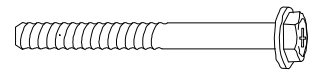
M6

DD 4x



M6

BB 4x



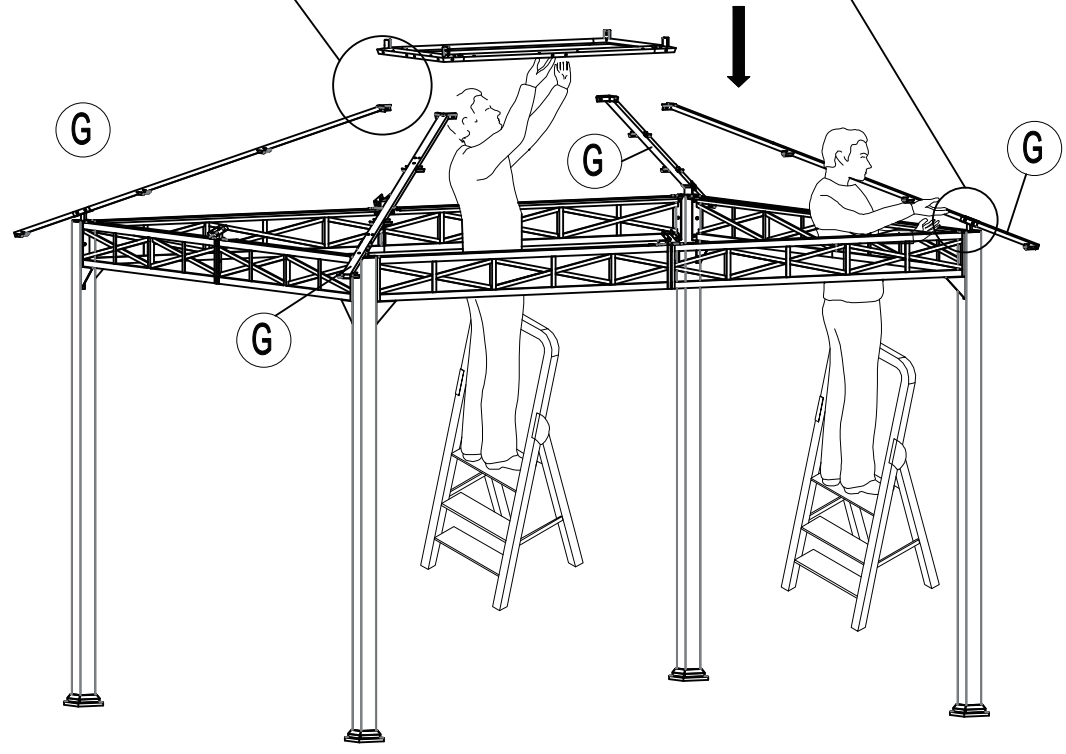
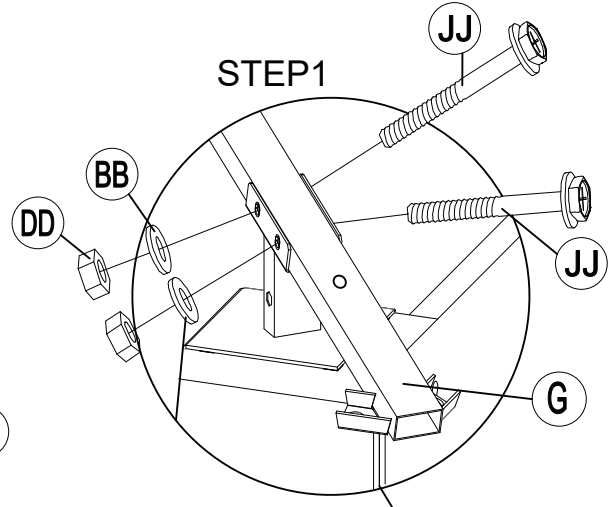
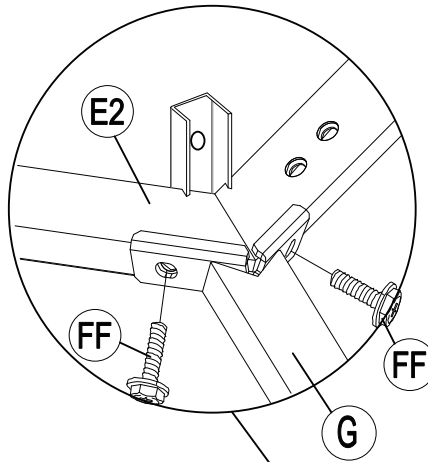
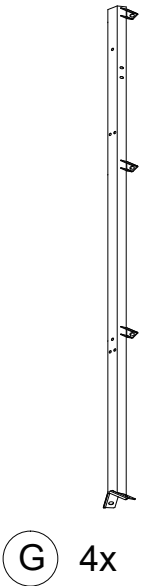
M6x55

JJ 4x

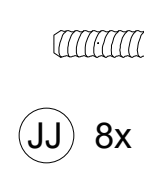
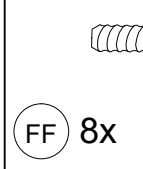
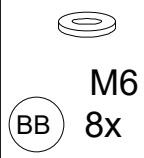
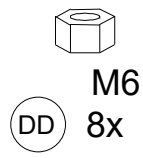
<8>

STEP2

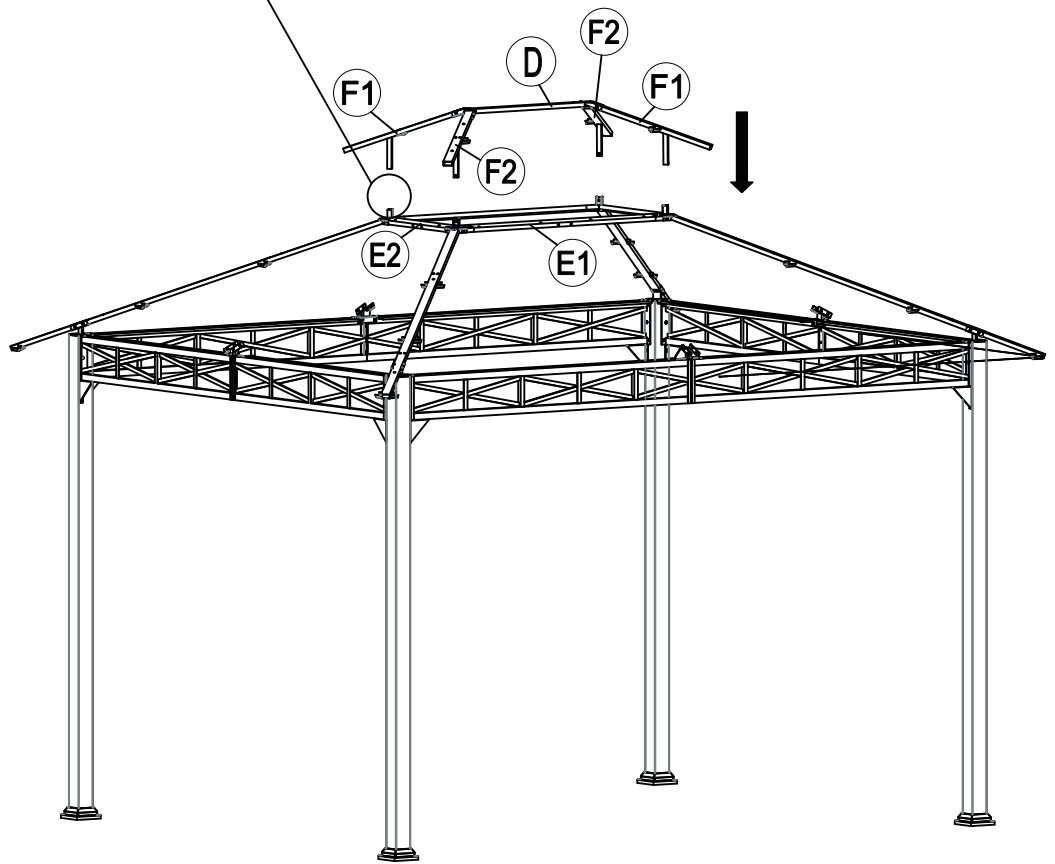
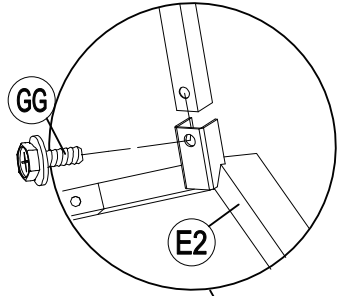
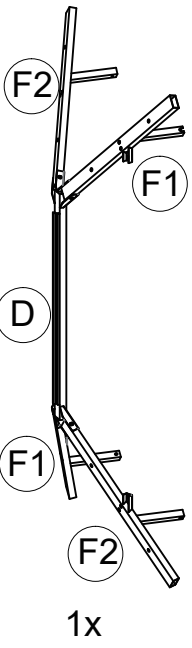
STEP1



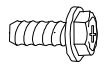
8



<9>

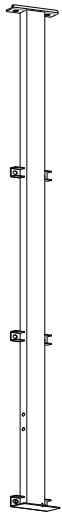


9

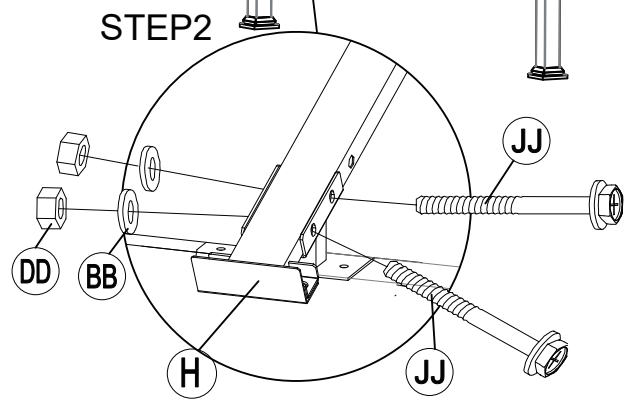
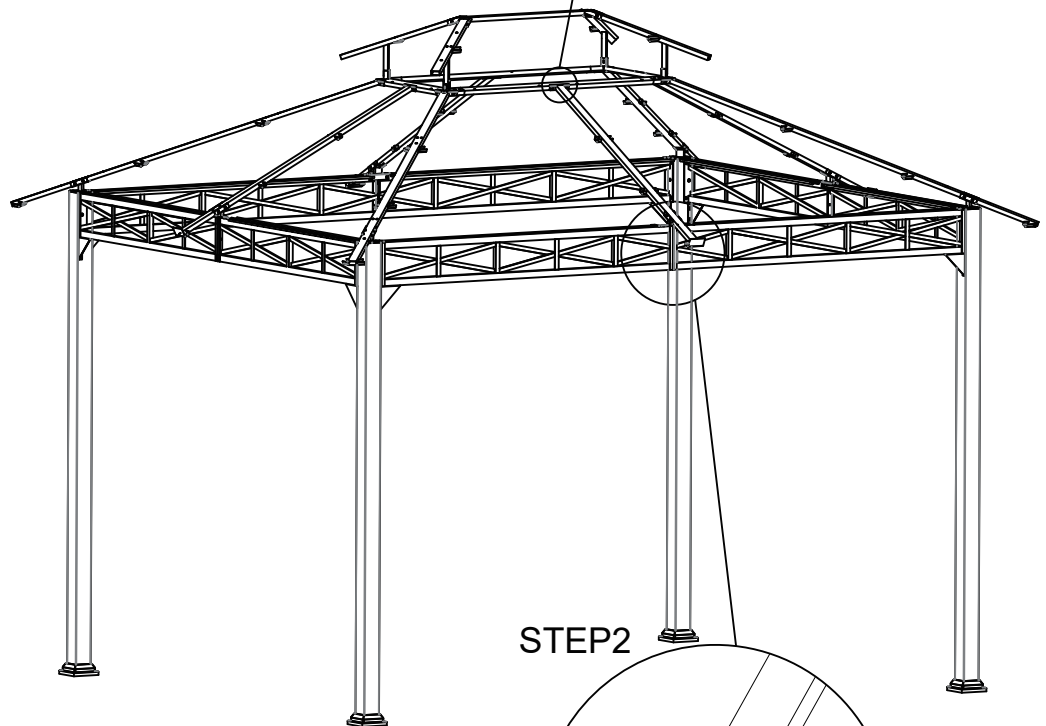
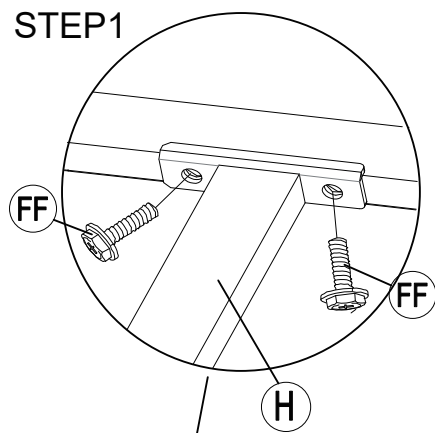


GG 4x M6x15

<10>



H 4x



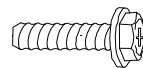
10



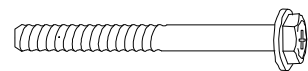
DD 8x
M6



BB 8x
M6



FF 8x
M6x20

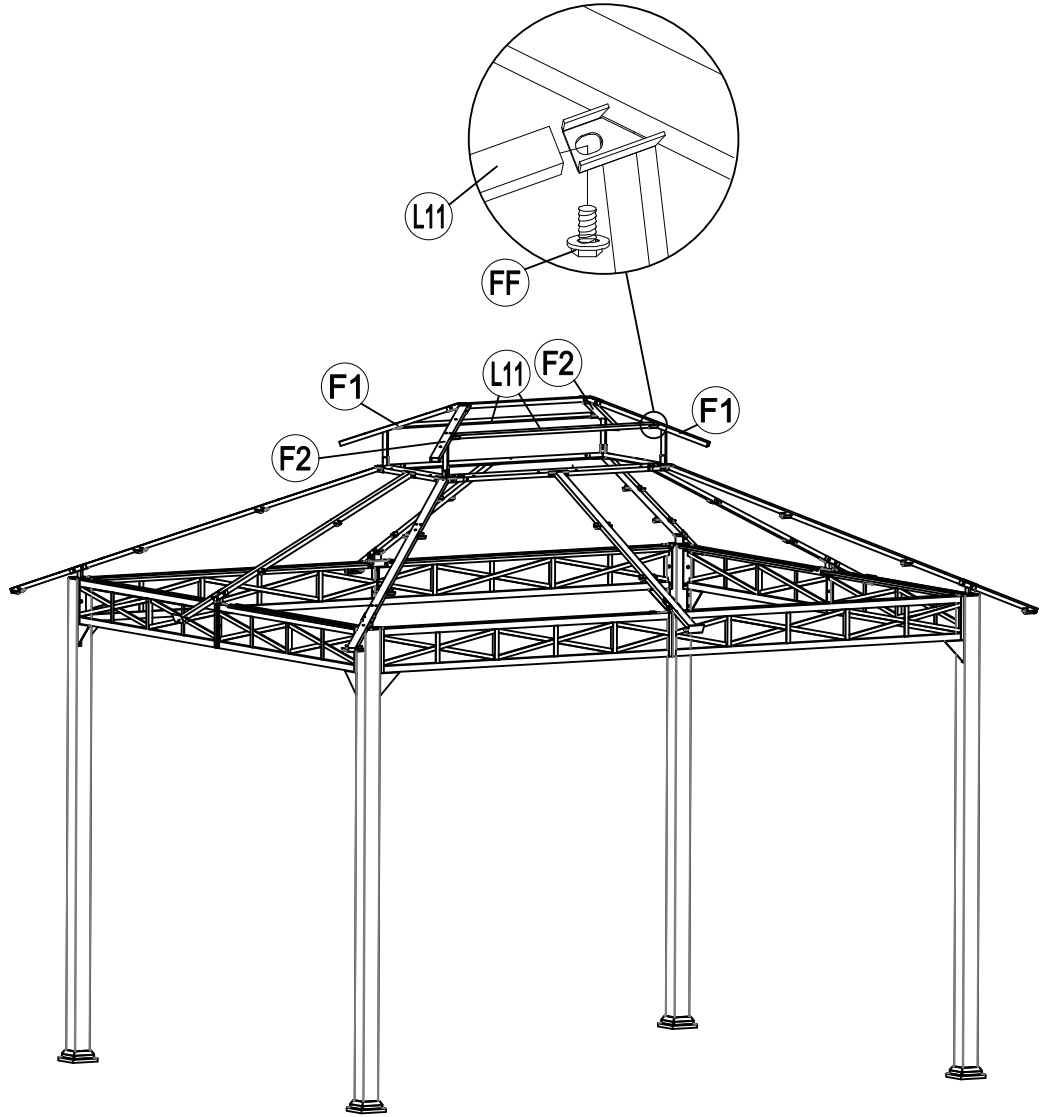


JJ 8x
M6x55

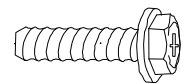
<11>



L11 2x



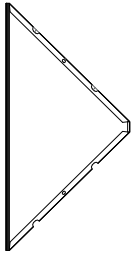
11



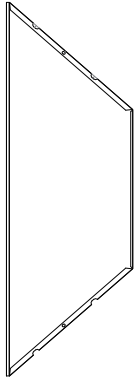
FF 4x

M6x20

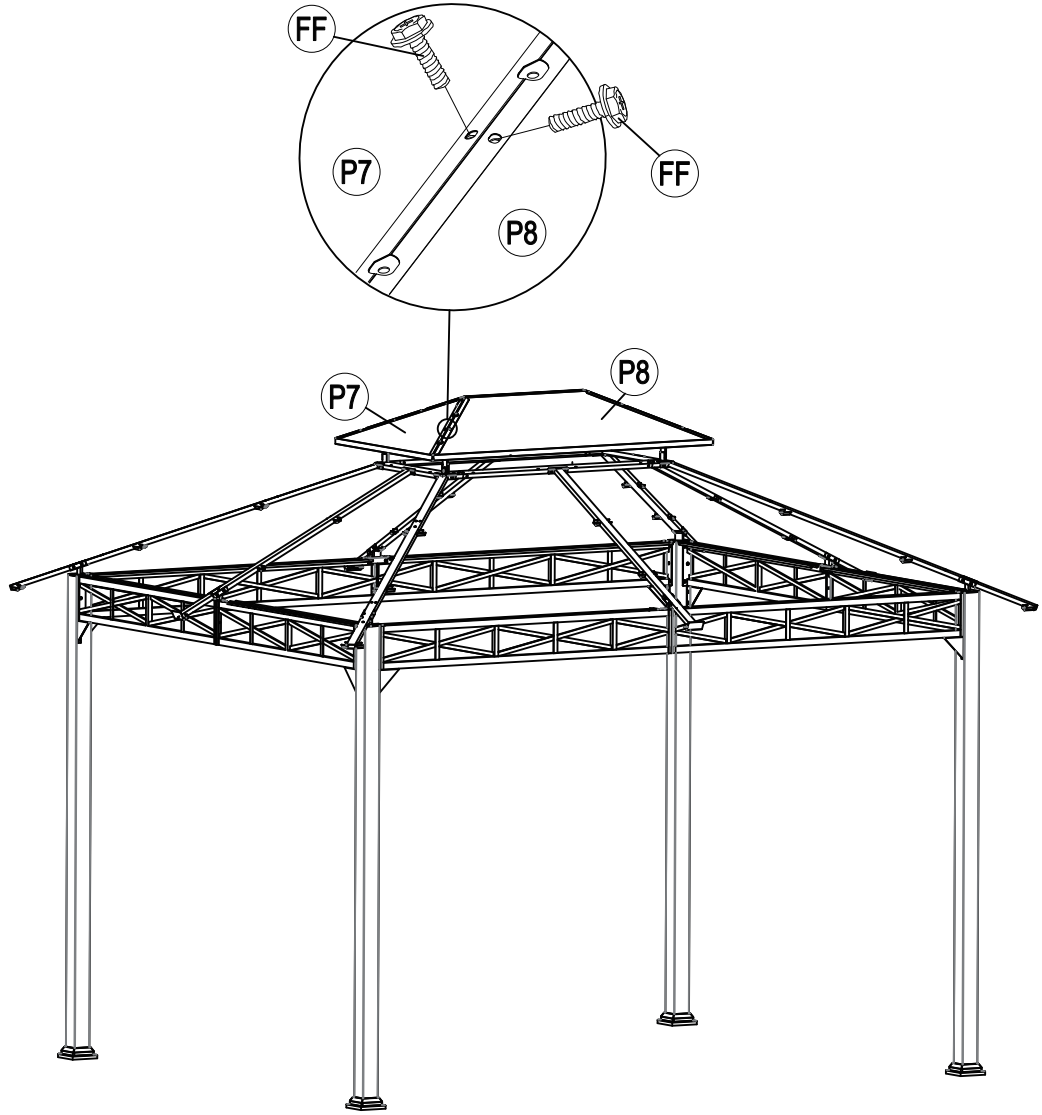
<12>



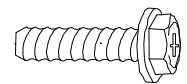
P7 2x



P8 2x



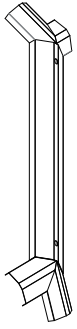
12



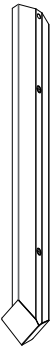
FF 8x

M6x20

<13>



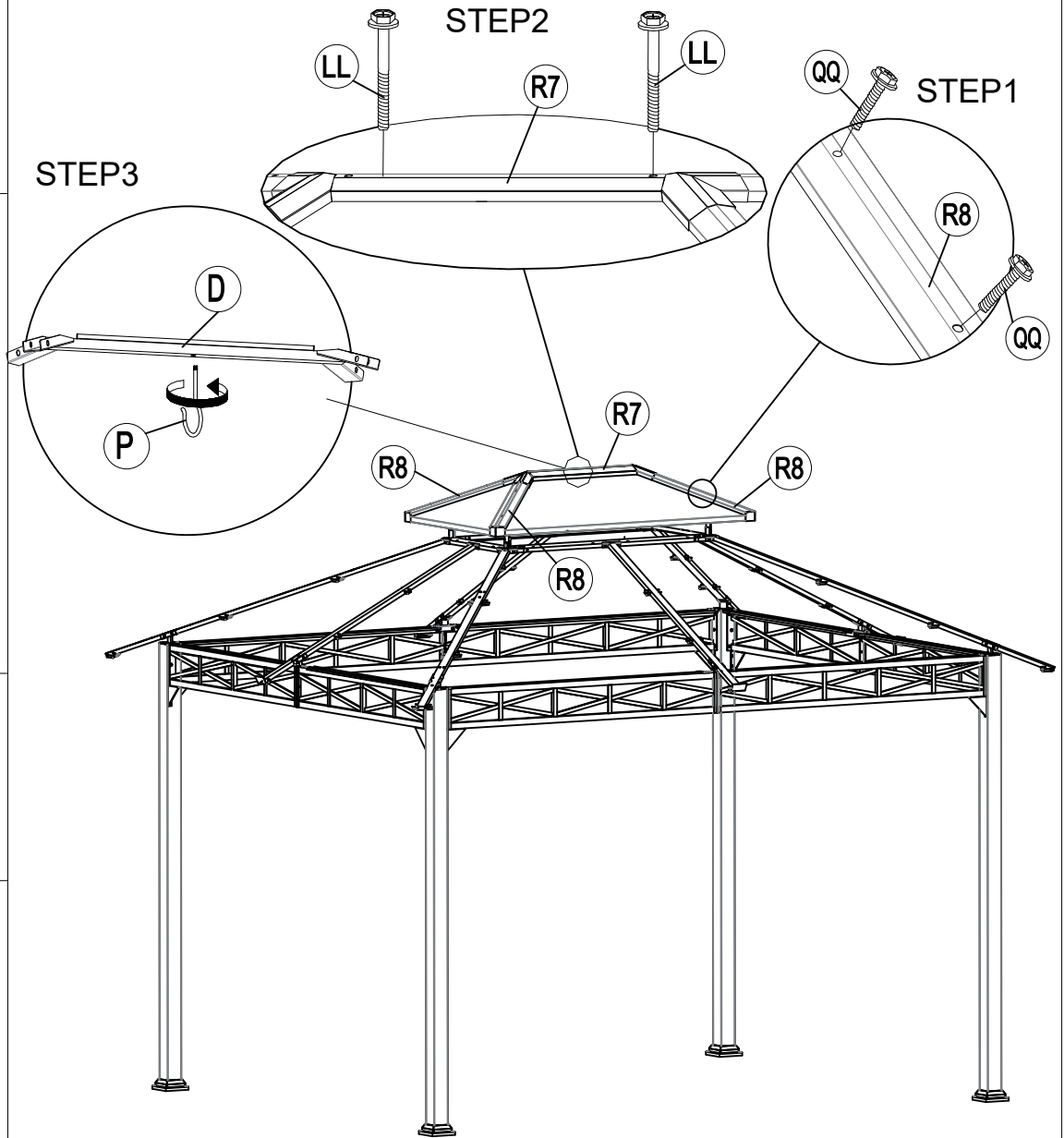
R7 1x



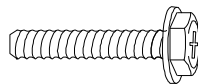
R8 4x



P 1x

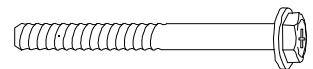


13



QQ 8x

M6x40



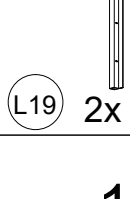
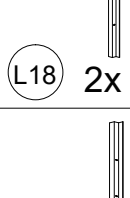
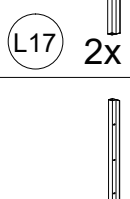
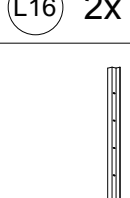
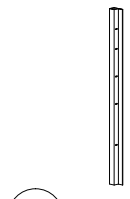
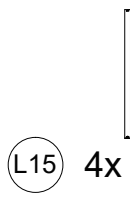
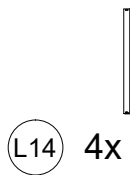
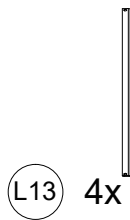
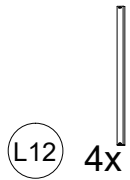
LL 2x

M6x60

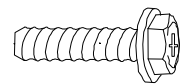
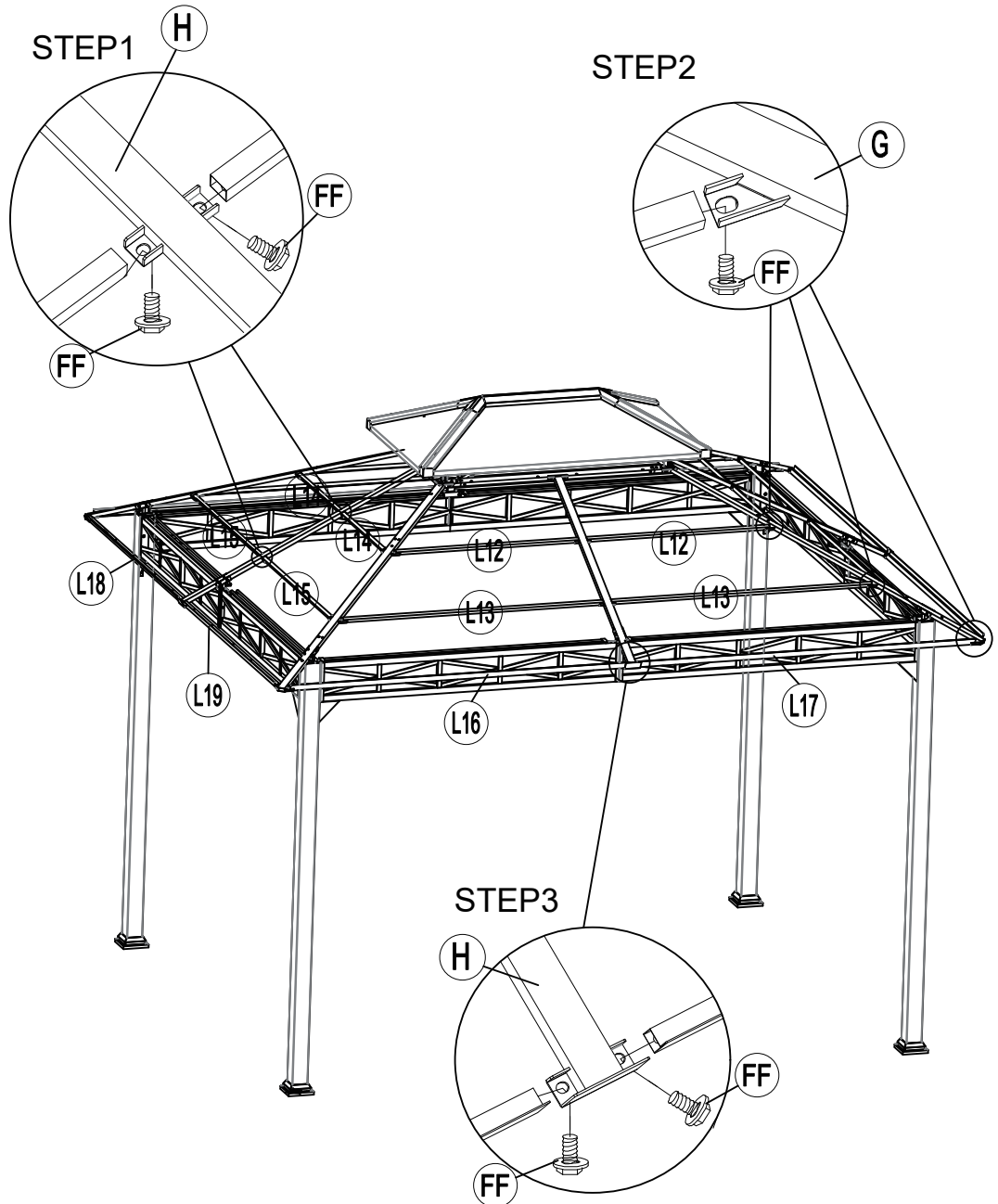
<14>

Attention :

1. Pls assemble the L12 and L14 first, then L13 and L15.
2. When assemble the L16, L17, L18 and L19, pls make sure the side which has less holes should correspond to the corner.



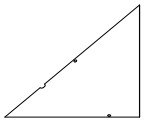
14



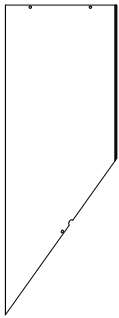
FF 48x

M6x20

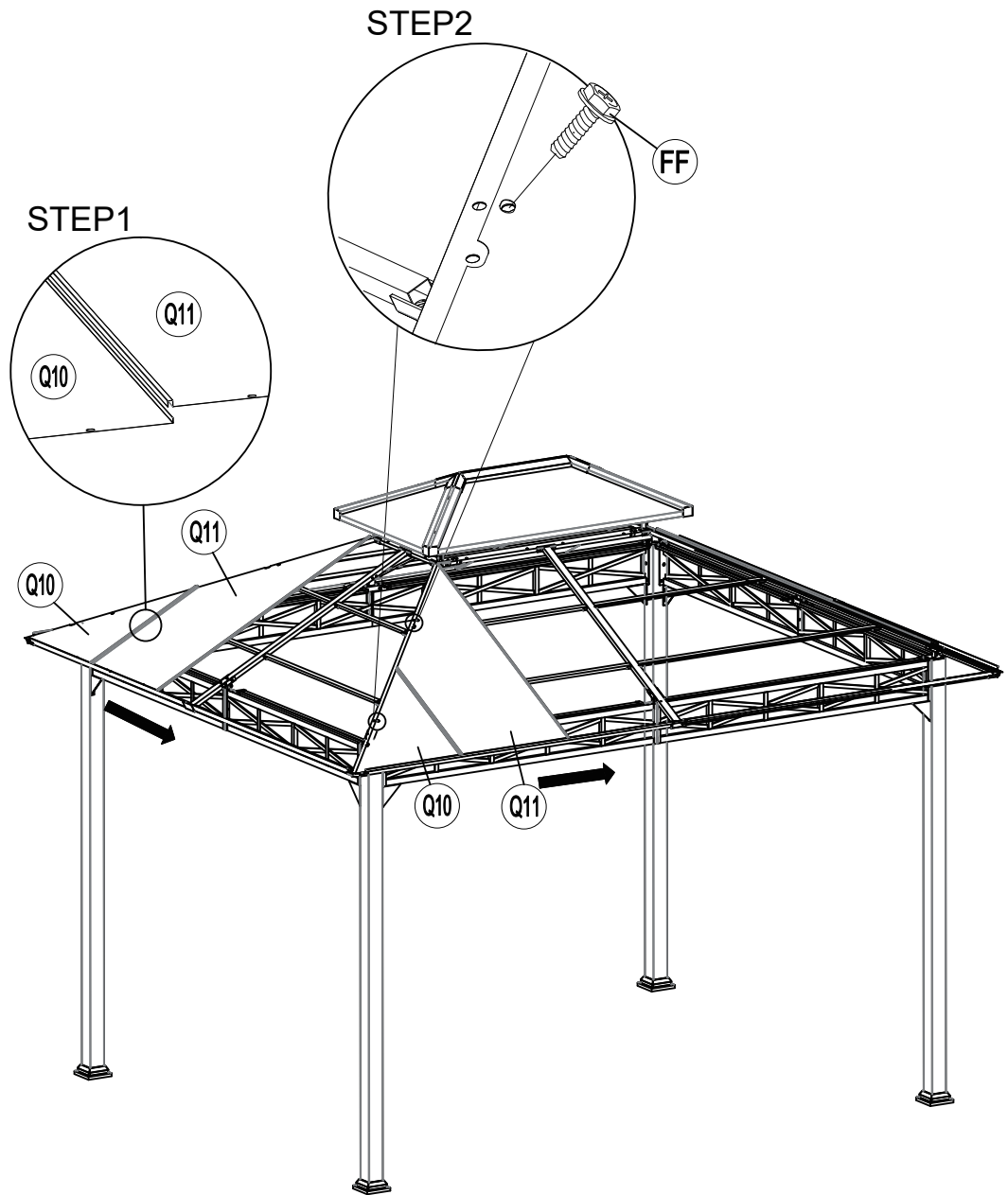
<15>



Q10 4x

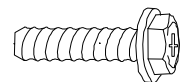


Q11 4x



Attention:
Pls make sure the direction the panel,
let groove on the panel protrudes outward.

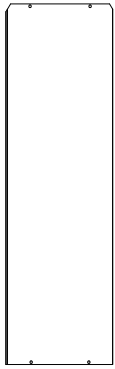
15



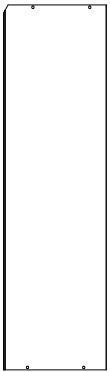
FF 8x

M6x20

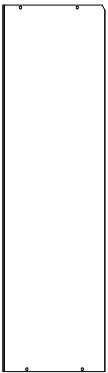
<16>



Q12 2x

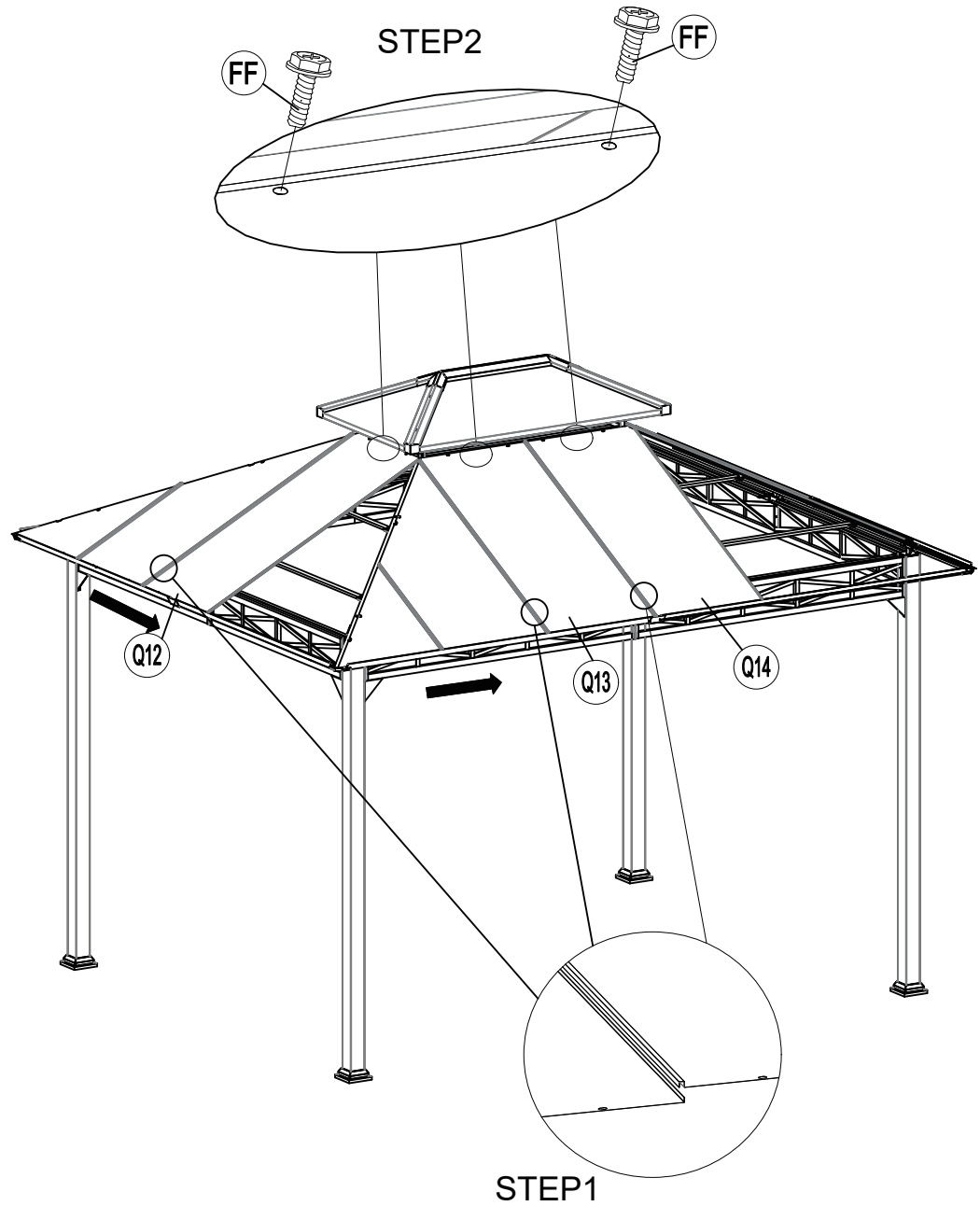


Q13 2x

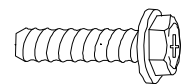


Q14 2x

16



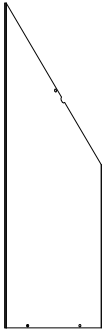
Attention :
Pls make sure the direction the panel,
let groove on the panel protrudes outward.



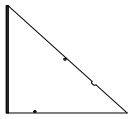
FF 12x

M6x20

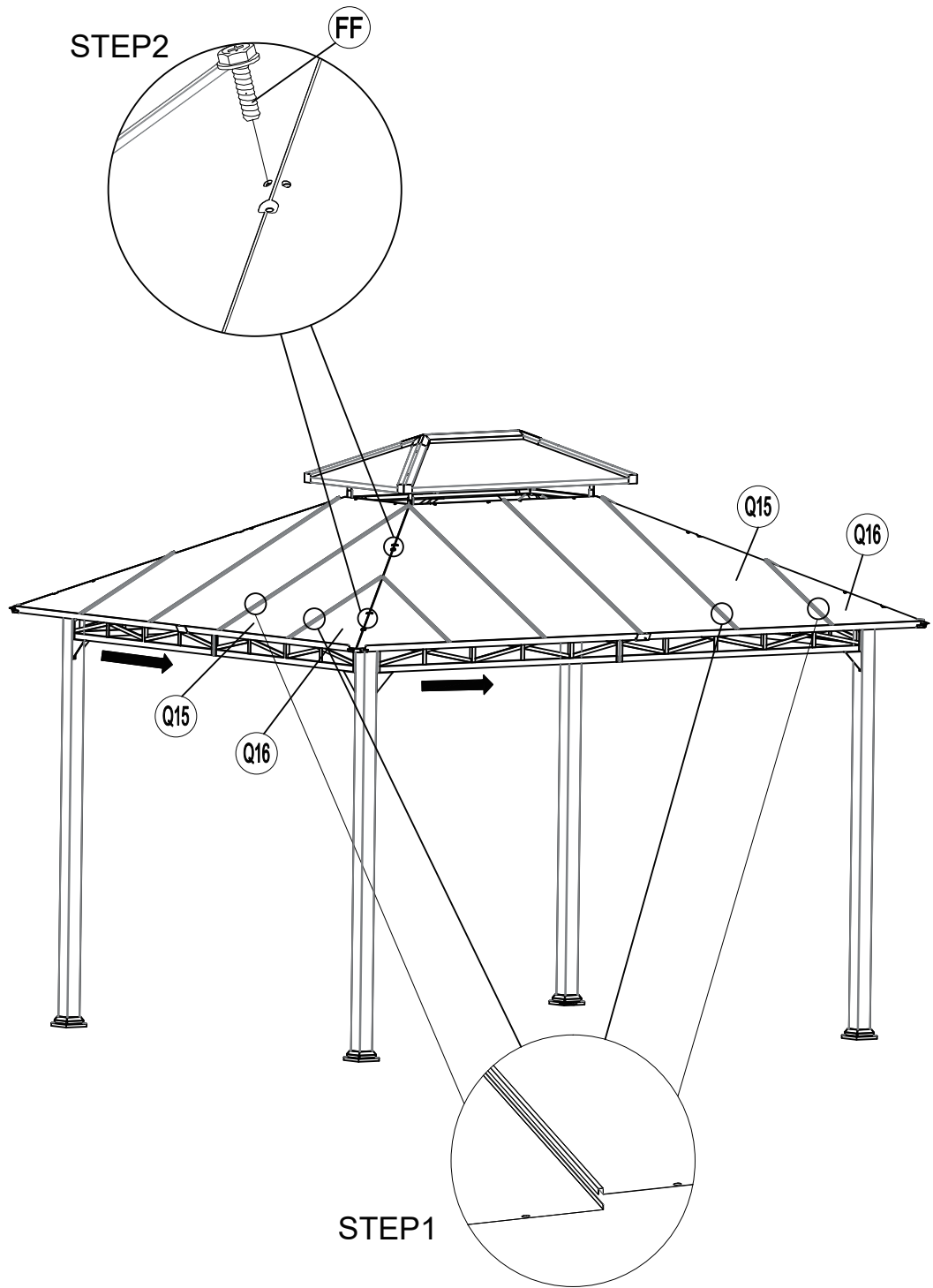
<17>



Q15 4x

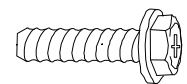


Q16 4x



Attention :
Pls make sure the direction the panel,
let groove on the panel protrudes outward.

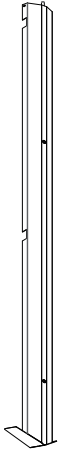
17



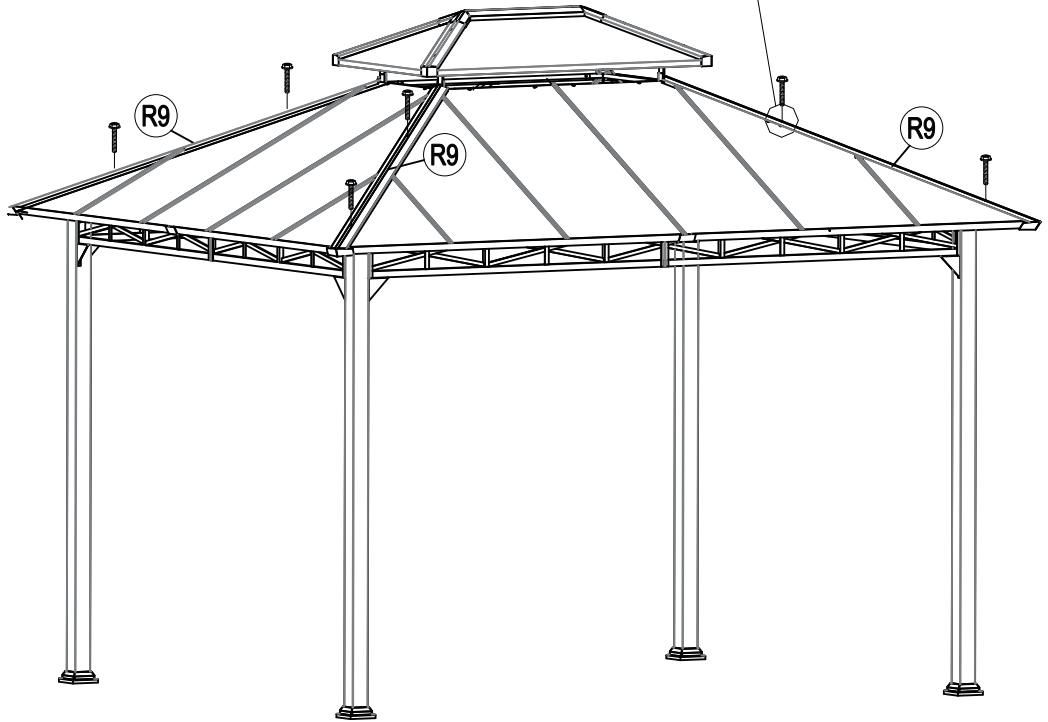
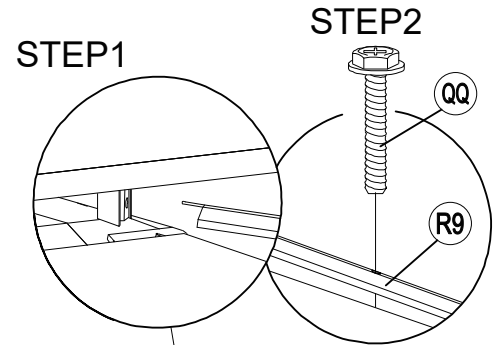
FF 8x

M6x20

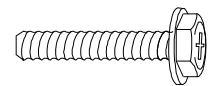
<18>



R9 4x



18



QQ 8x

M6x40

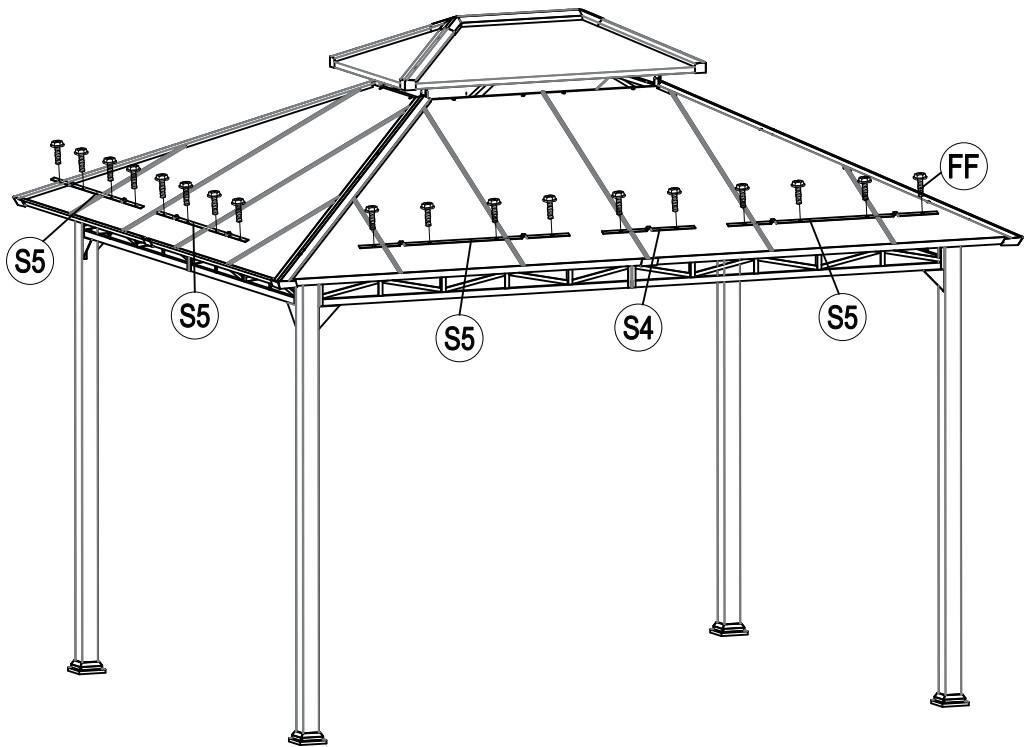
<19>



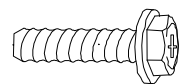
S4 2x



S5 8x



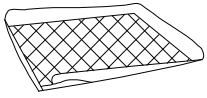
19



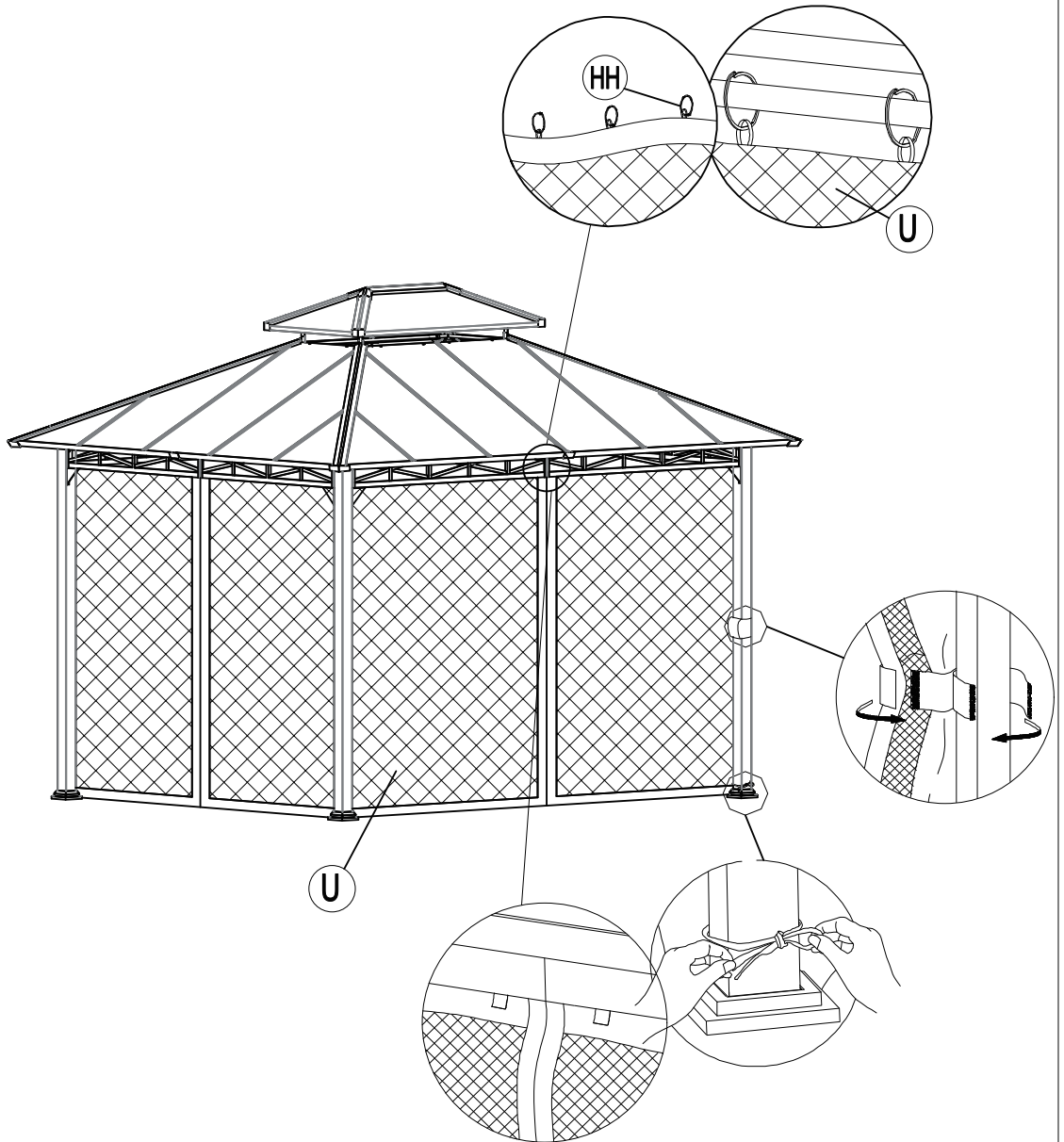
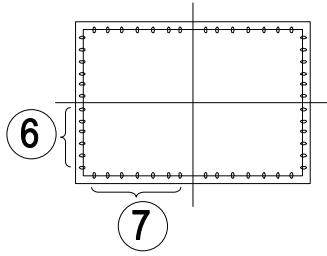
FF 36x

M6x20

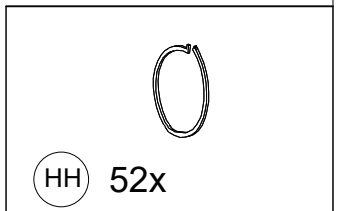
<20>



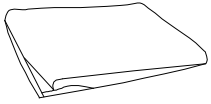
U 1x



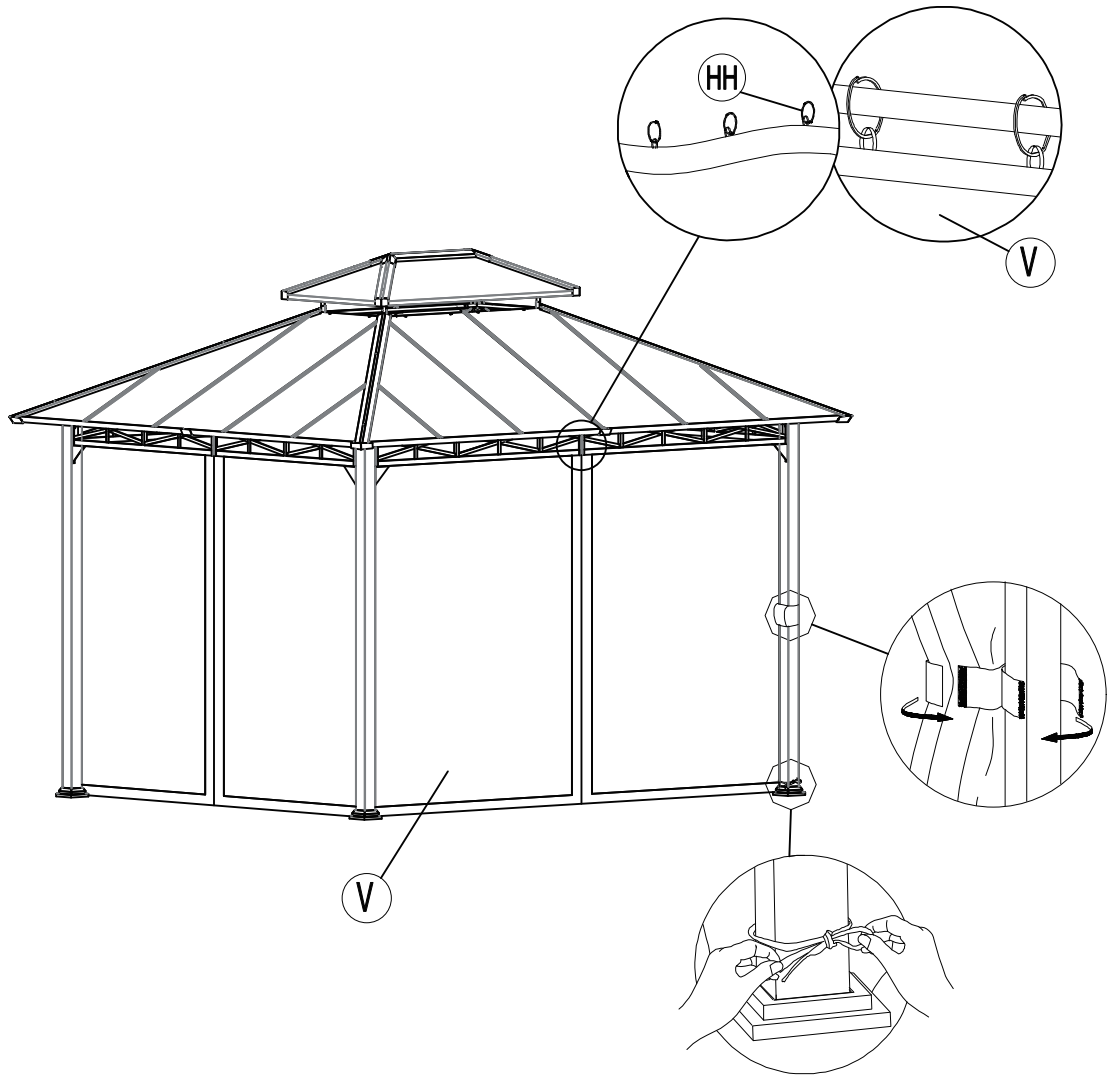
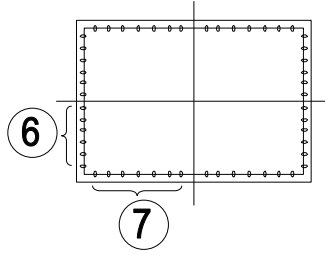
20



<21>



V 1x



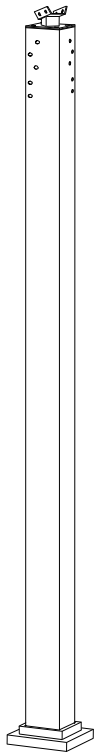
21



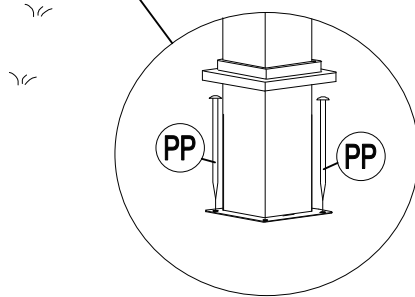
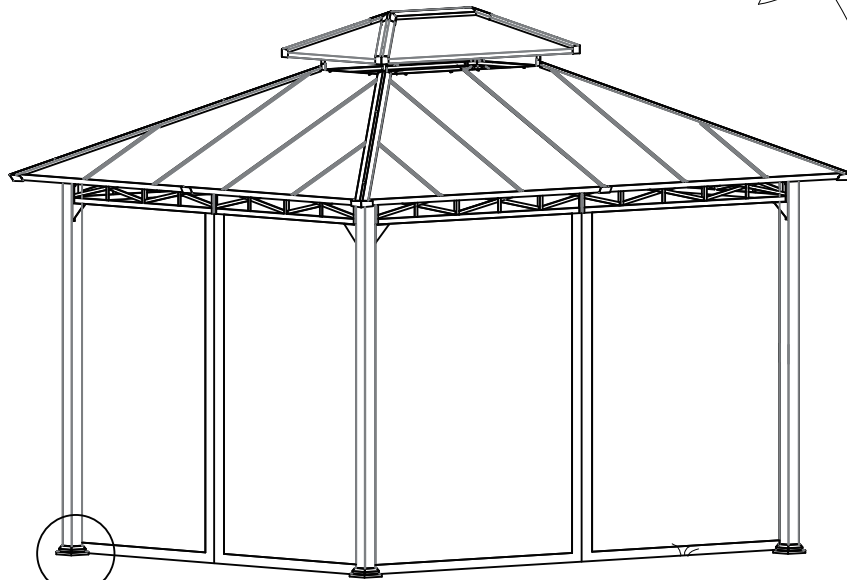
HH 52x

<22>

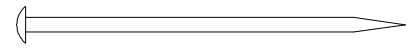
A



4x



22



D8X180
PP 8x