

ASSEMBLY INSTRUCTIONS

ITEM #30000 WINSTON ROUND TABLE

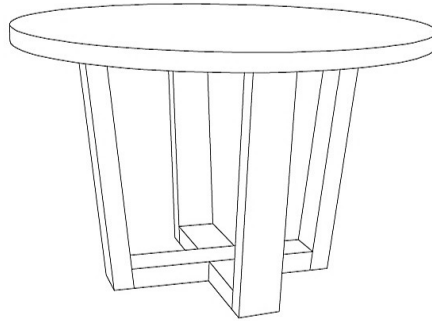
Please read instructions carefully.

Remove all wrapping materials, staples and packing straps from the carton. Refer to Parts List and Hardware List and ensure they are complete before you start assembling. Place all wooden parts on a clean, flat and soft surface (e.g carpet or rug) to prevent parts from being scratched.

- CAUTIONS:
- 1) DO NOT FULLY TIGHTEN BOLTS AND NUTS UNTIL ALL PARTS HAVE BEEN ASSEMBLED.
 - 2) DO NOT OVER-TIGHTEN BOLTS AND NUTS UNTIL ALL PARTS HAVE BEEN ASSEMBLED.
 - 3) KEEP ALL HARDWARE PARTS OUT OF REACH CHILDREN.

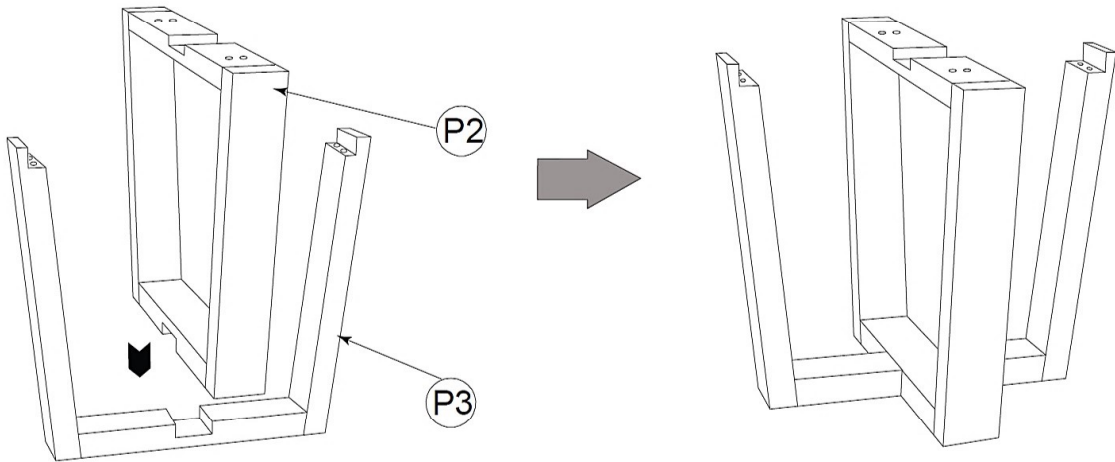
	PARTS LIST	QTY.
P1	TABLE TOP	1
P2	PEDESTAL LEG FRAME (pre- assembled)	1
P3	PEDESTAL LEG FRAME (with base bar)	1
P4	UPPER BAR	1

	HARDWARE LIST	QTY.
H1	M6 x 35mm JCBC SCREW 	12
H2	SPRING WASHER 	12
H3	FLAT WASHER 	12
H4	ALLEN KEY 	1
H5	LEG GLIDE 	4






COMPLETE ASSEMBLY

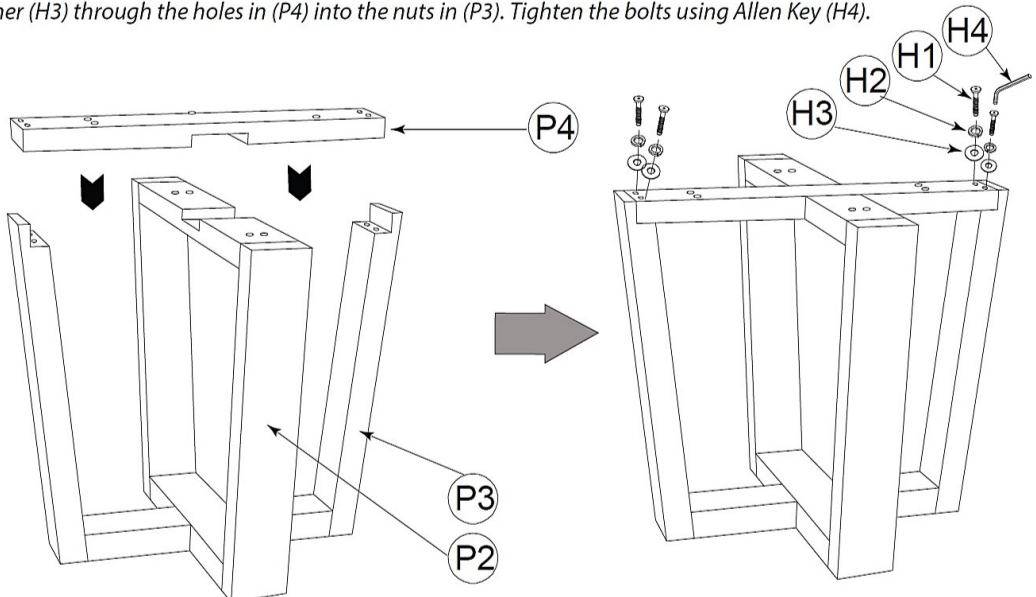
STEP 1 Attach both Pedestal Leg Frame (P3) into Pedestal Leg Frame (P2).



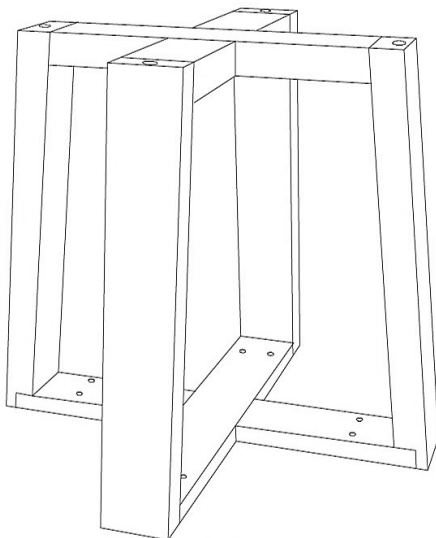
STEP 2

Assemble the Upper Bar (P4) into Pedestal Leg Frame (P3). Align Bolts (H1) together with Spring Washer (H2) & Flat Washer (H3) through the holes in (P4) into the nuts in (P3). Tighten the bolts using Allen Key (H4).





H1 x 4	 M6 x 35mm
H2 x 4	
H3 x 4	



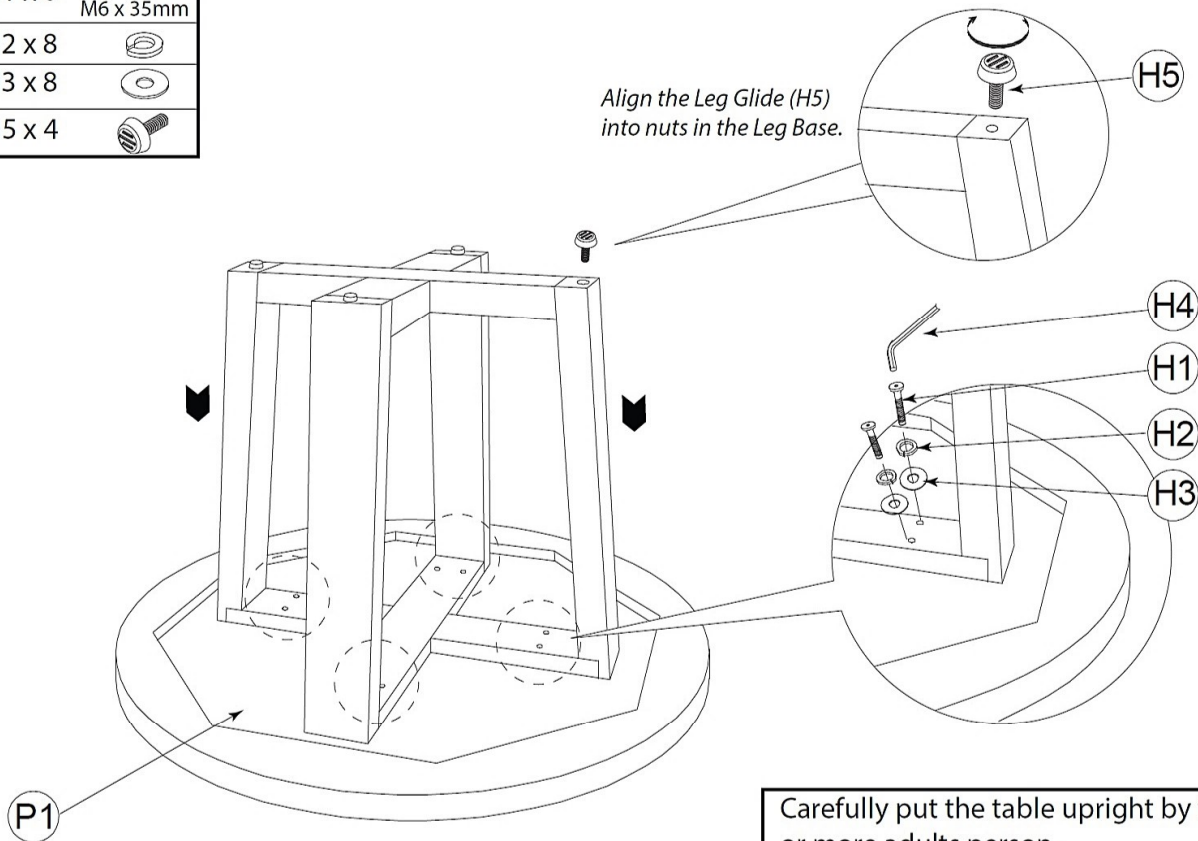
STEP 3



STEP 4

H1 x 8	 M6 x 35mm
H2 x 8	
H3 x 8	
H5 x 4	

Align the Leg Glide (H5) into nuts in the Leg Base.



Carefully put the table upright by two or more adults person.

CARE AND MAINTENANCE

- SAFETY** - To avoid any risk of suffocation to children and animals, dispose off plastic bags immediately.
- CLEANING** - Clean with damp cloth and mild detergent. Do not use bleach or abrasive products.
- FITTINGS** - Tighten bolts and nuts from time to time to ensure all parts of product are securely fitted.