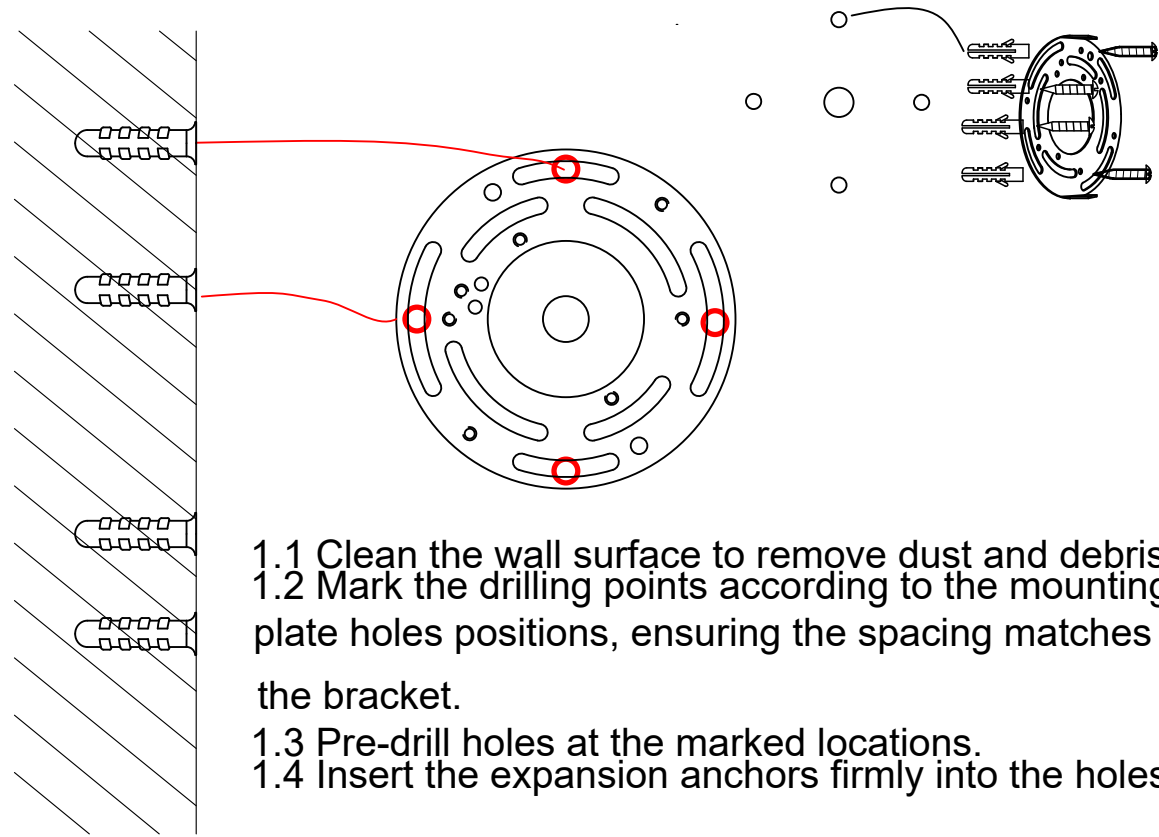


Installation Instruction

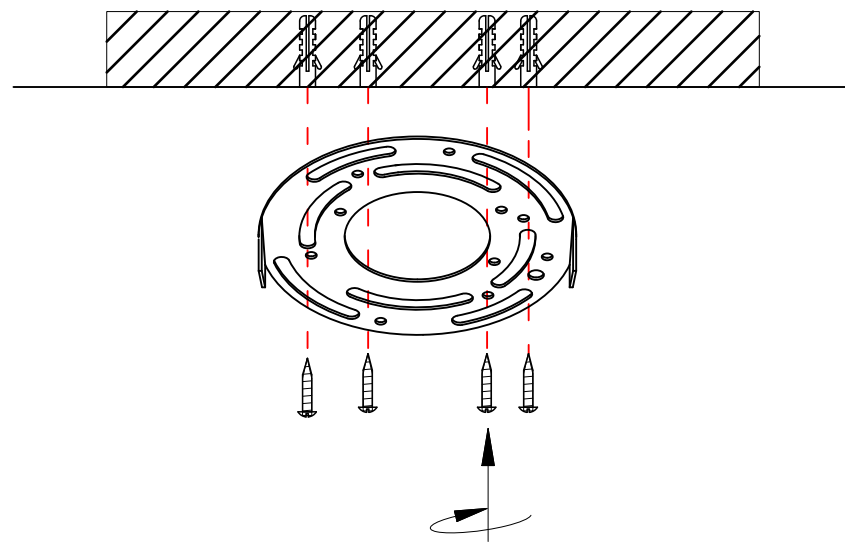
LQQWS0828

Step 1: Pre-drill Mounting Holes



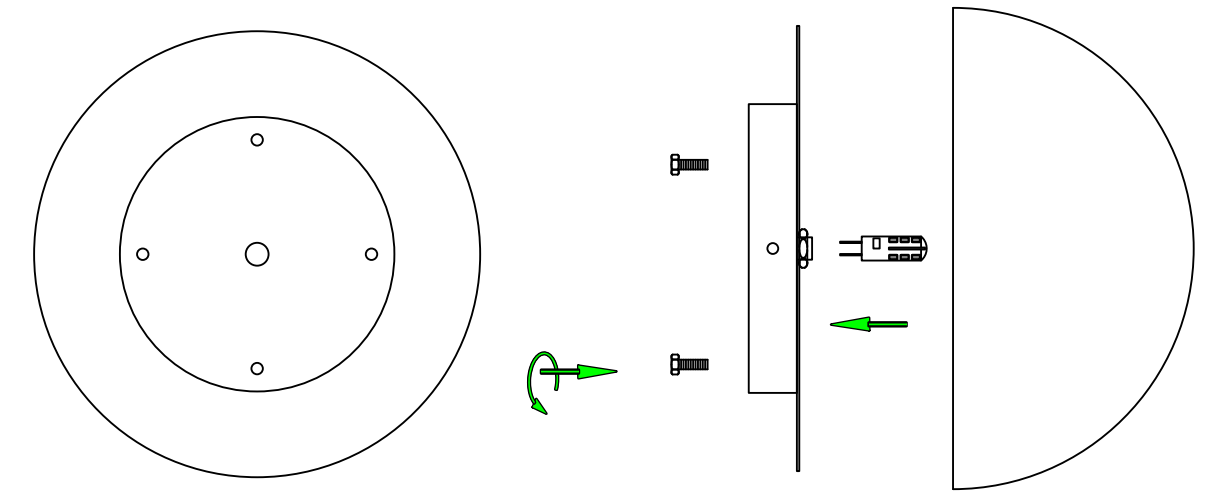
- 1.1 Clean the wall surface to remove dust and debris.
- 1.2 Mark the drilling points according to the mounting plate holes positions, ensuring the spacing matches the bracket.
- 1.3 Pre-drill holes at the marked locations.
- 1.4 Insert the expansion anchors firmly into the holes.

Step 2: Attach the Mounting Plate



- 2.1 Align the mounting plate with the pre-drilled holes from the previous step, ensuring the screw holes match precisely.
- 2.2 Insert the expansion screws through the plate into the wall anchors and tighten them securely to fix the mounting plate firmly to the wall.

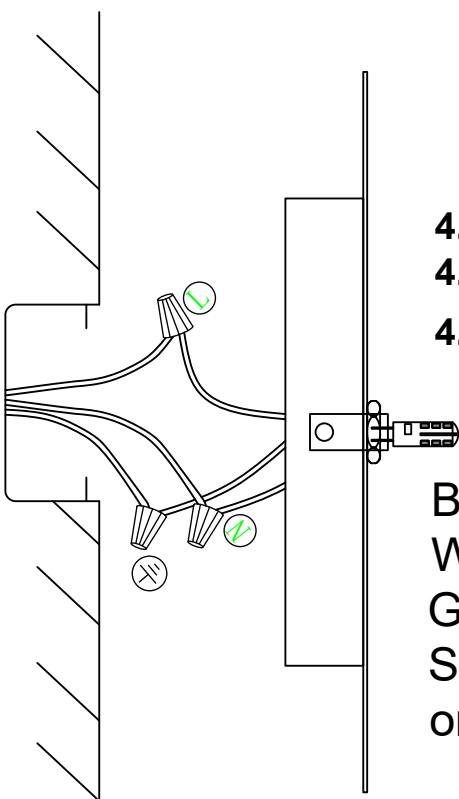
Step 3: Install the Bulbs and Lampshades




Insert G4 light bulb into the center of socket and then install the lampshade on socket with screwslampshade back into place.

Step 4: Electrical Wiring

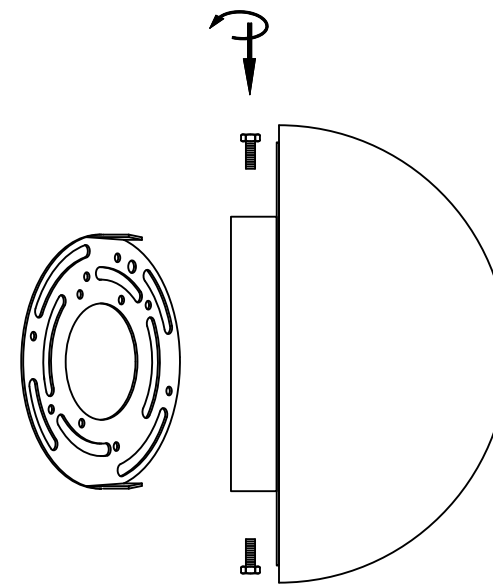
! IMPORTANT: Turn off the power before wiring.



- 4.1 Use a voltage tester to confirm power is off.
- 4.2 Open the junction box.
- 4.3 Connect fixture wires as follows:

Black → Live (+)
White → Neutral (-)
Green or Bare Copper → Ground ()
Secure all connections using wire nuts or approved terminals.

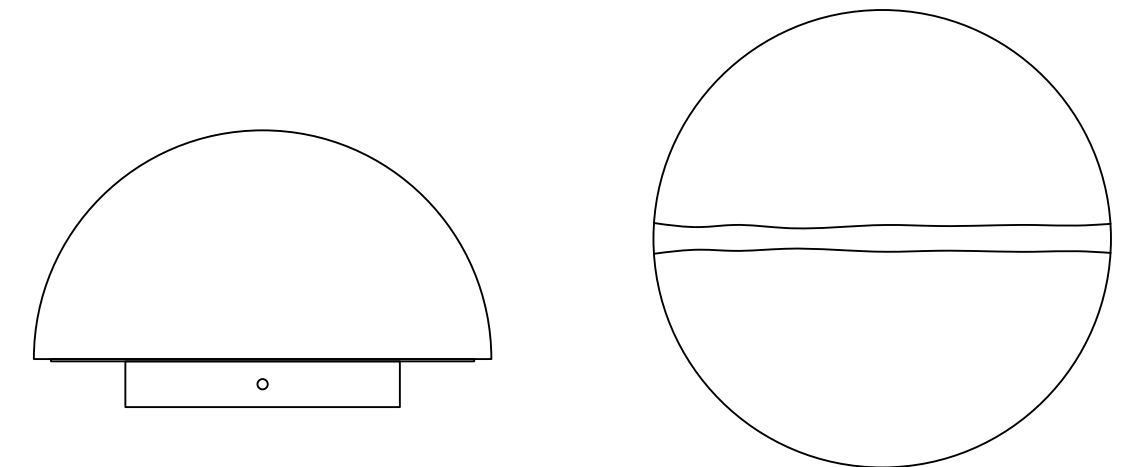
Step 5: Attach the Mounting Plate to the Fixture Base



Align the lampshade with the screw holes on the mounting bracket and tighten the screws securely to fix it in place.

Step 6: Power On & Final Check

Turn the power on and switch on the wall sconce to confirm it is functioning properly.



Care & Maintenance
Clean the fixture regularly with a soft, dry cloth.
Avoid using water spray, solvents, or abrasive cleaners, as these may damage the finish.

Safety Precautions



- 1.A licensed electrician must perform the installation.
- 2.Disconnect power before installation or maintenance.
- 3.Use a voltage tester before wiring to ensure safety.
- 4.If mounting on a finished wall surface, the user may need to purchase appropriate mounting screws.
- 5.The wall surface must be capable of supporting at least 4× the weight of the fixture.
- 6.Do not use this product in environments below -20°C (-4°F).