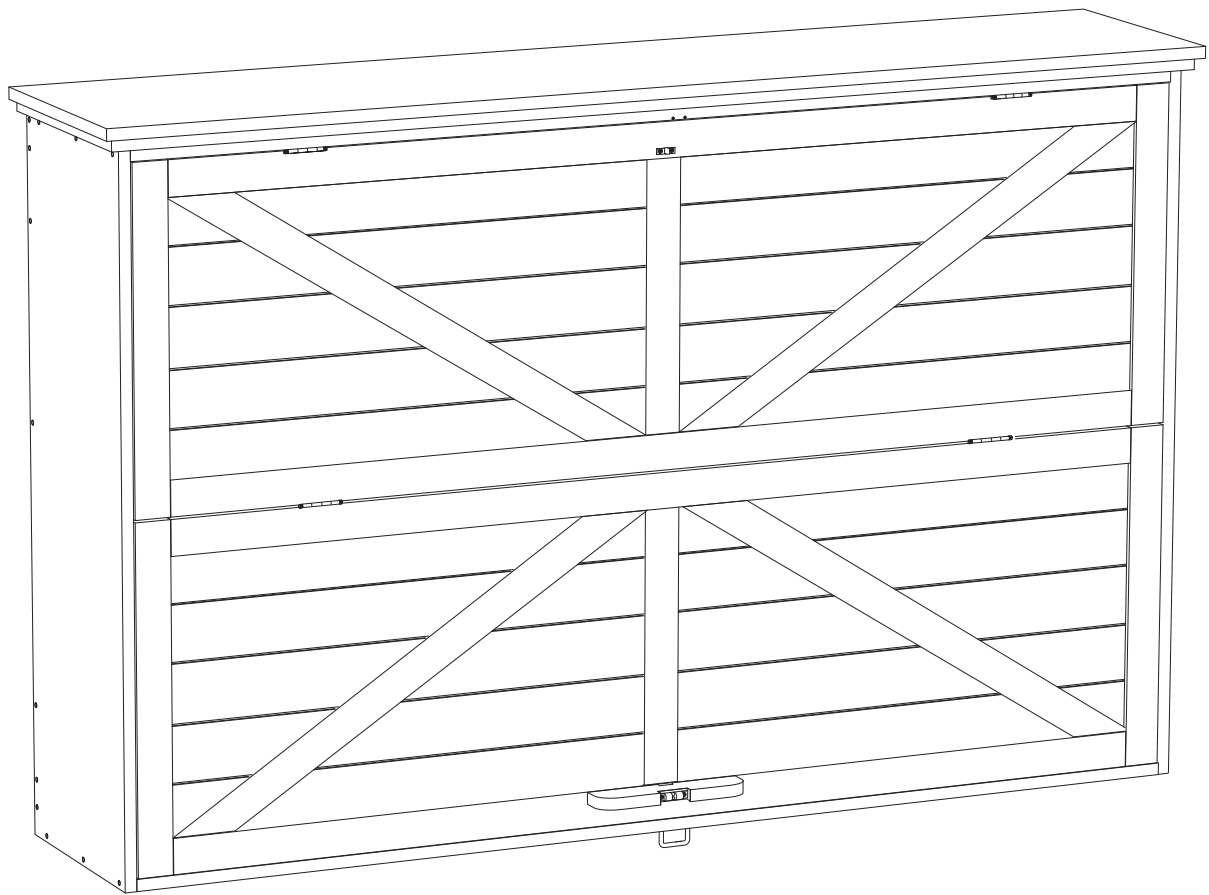
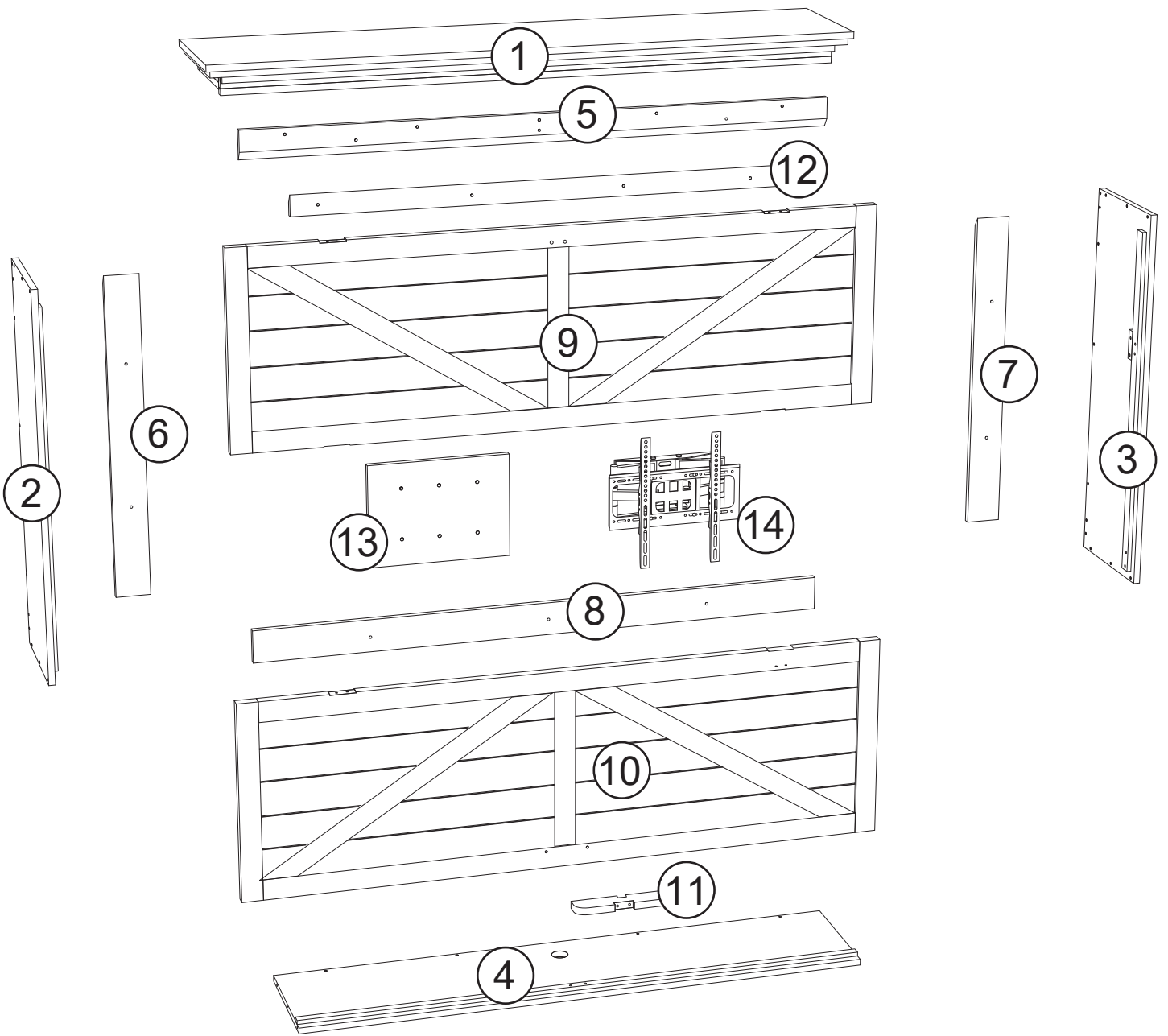




Assembly Instructions


Outdoor TV Cabinet LNG810


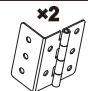
Note: Please follow the instructions for more convenient installation.


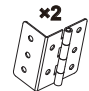











A	
x51(+1)	x14
	
A1	A2
Ø 4x40mm	



B	x14(+1)
	
	Ø 3x20mm

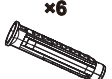
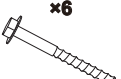
C	
x16	x2
	
C1	C2
Ø 3x20mm	


D	
x16	x2
	
D1	D2
Ø 3x20mm	

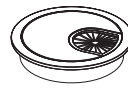
E			
x2	x2	x4	x4
			
E1	E2	E3	E4
		Ø 3x12mm	Ø 3x12mm





F		
x1	x1	x4
		
F1	F2	F3
		Ø 3x16mm


G	x2
	
G1	G2
	G3

H	
x6	x6
	
H1	H2
Ø 10x45mm	Ø 10x70mm

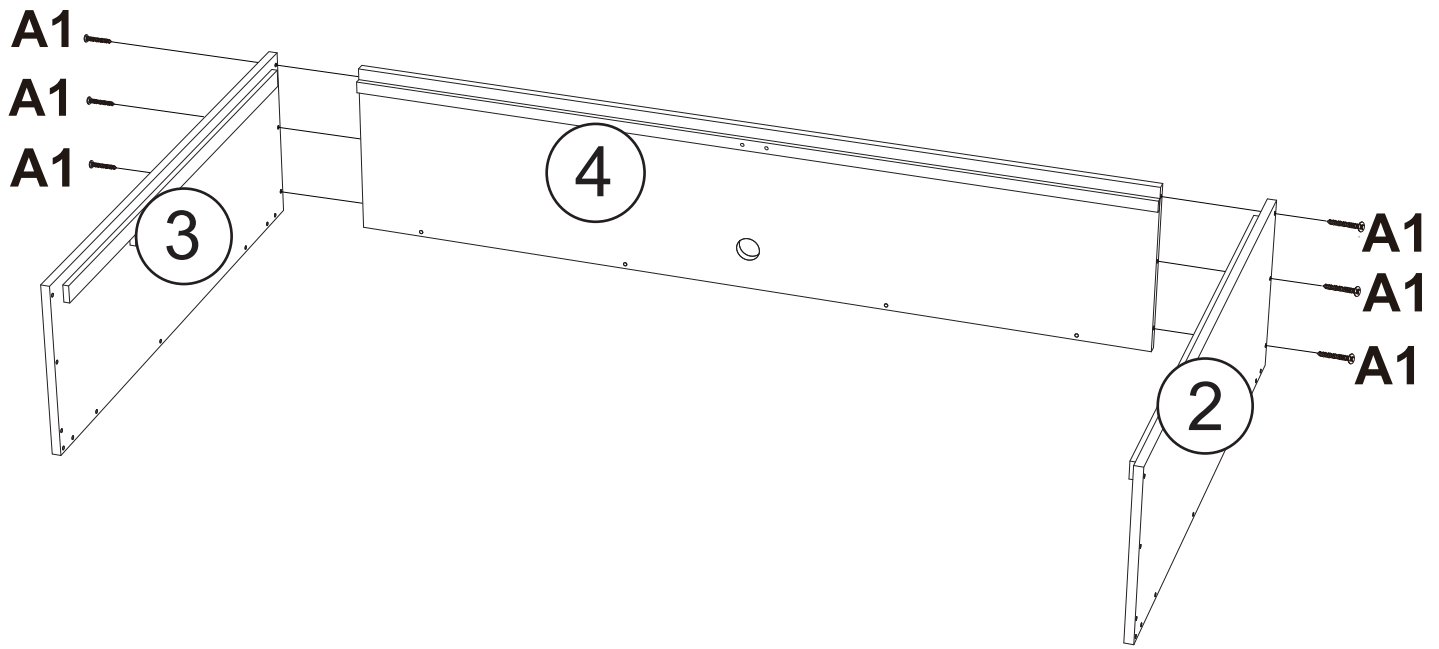
J	x1
	
	2cmx2m

K	x1
	


N			
x1	x1	x2	x2
			
N1	N2	N3	N4
		Ø 4x25mm	

P	x2
	
	1.5cmx1.5m

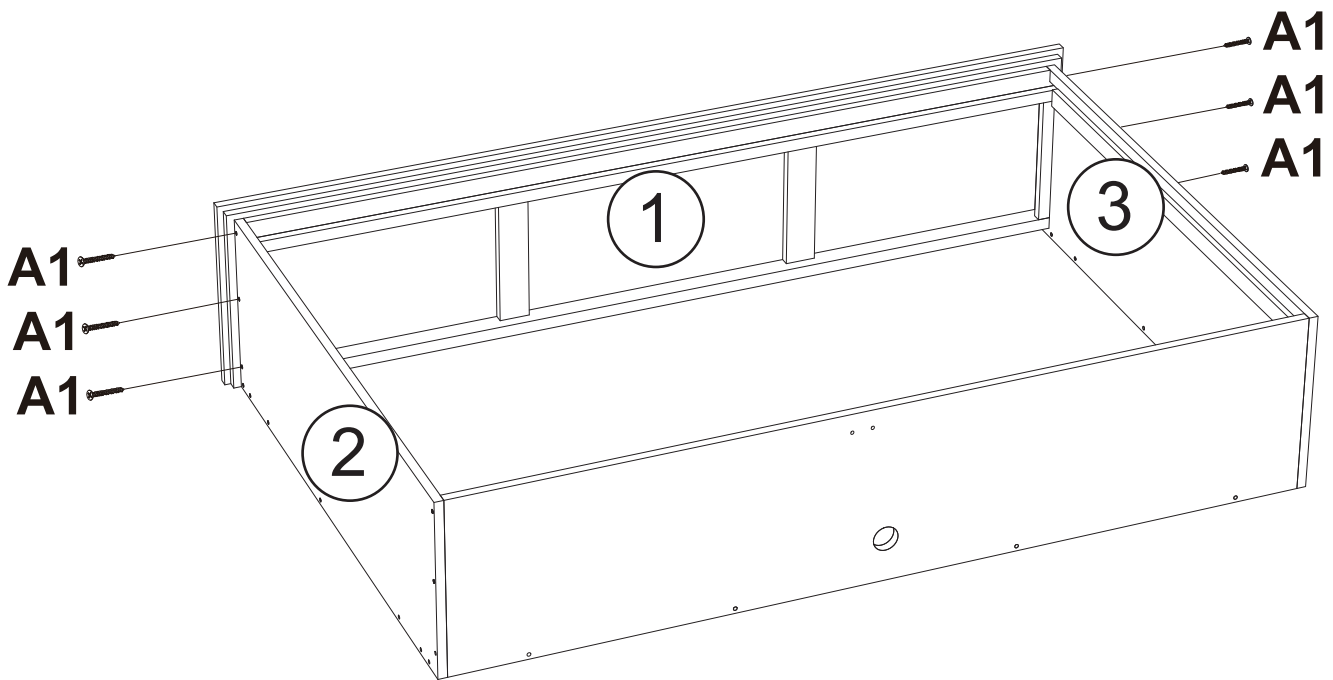
STEP1




As shown in the diagram, connect part #2 and part #3 to part #4 using screw A1 x6.

A	x6
	
A1	
Ø 4x40mm	

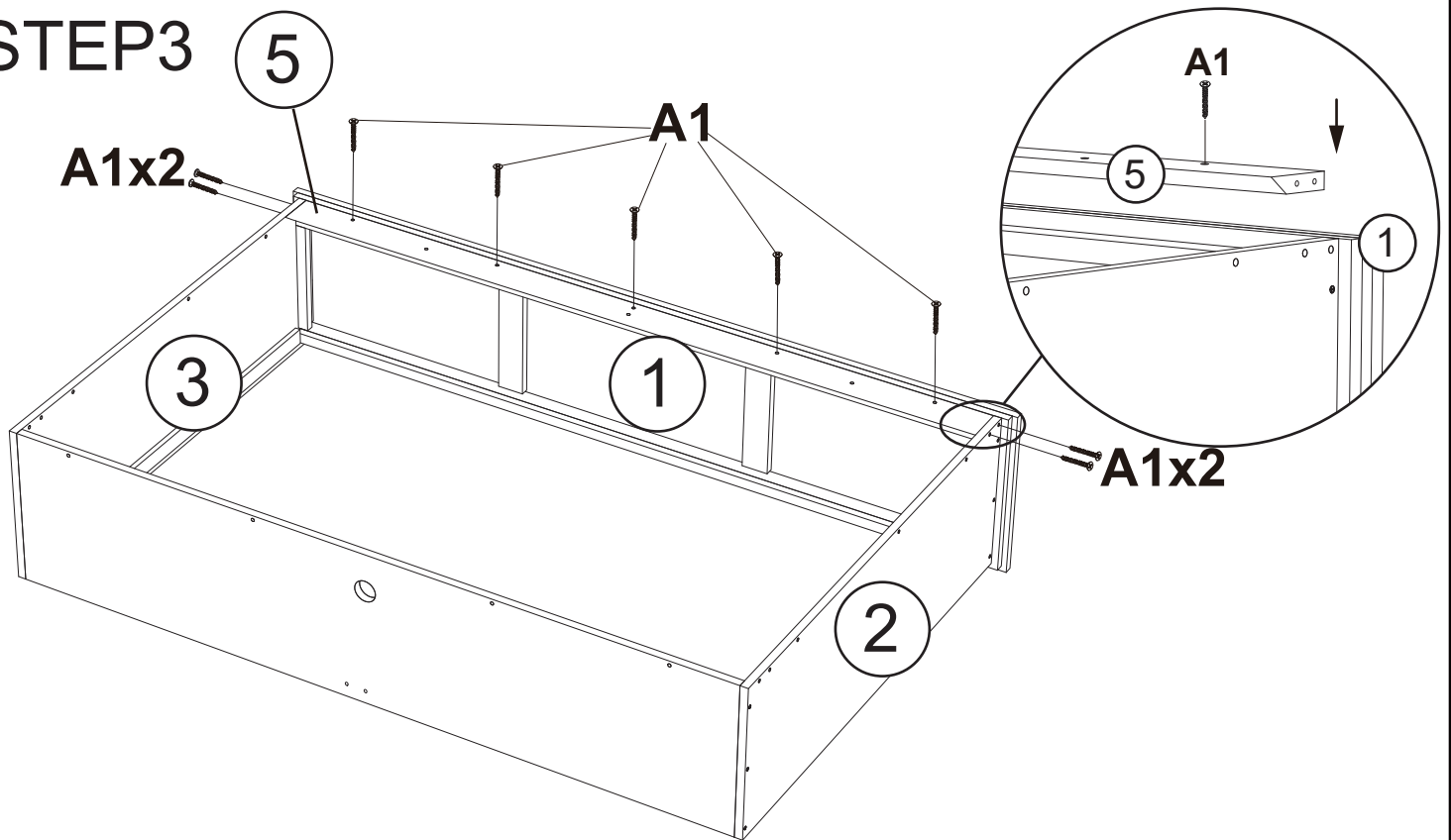
STEP2




As shown in the diagram, connect part #2 and part #3 to part #1 using screw A1 x6.

A	x6
	
A1	
Ø 4x40mm	

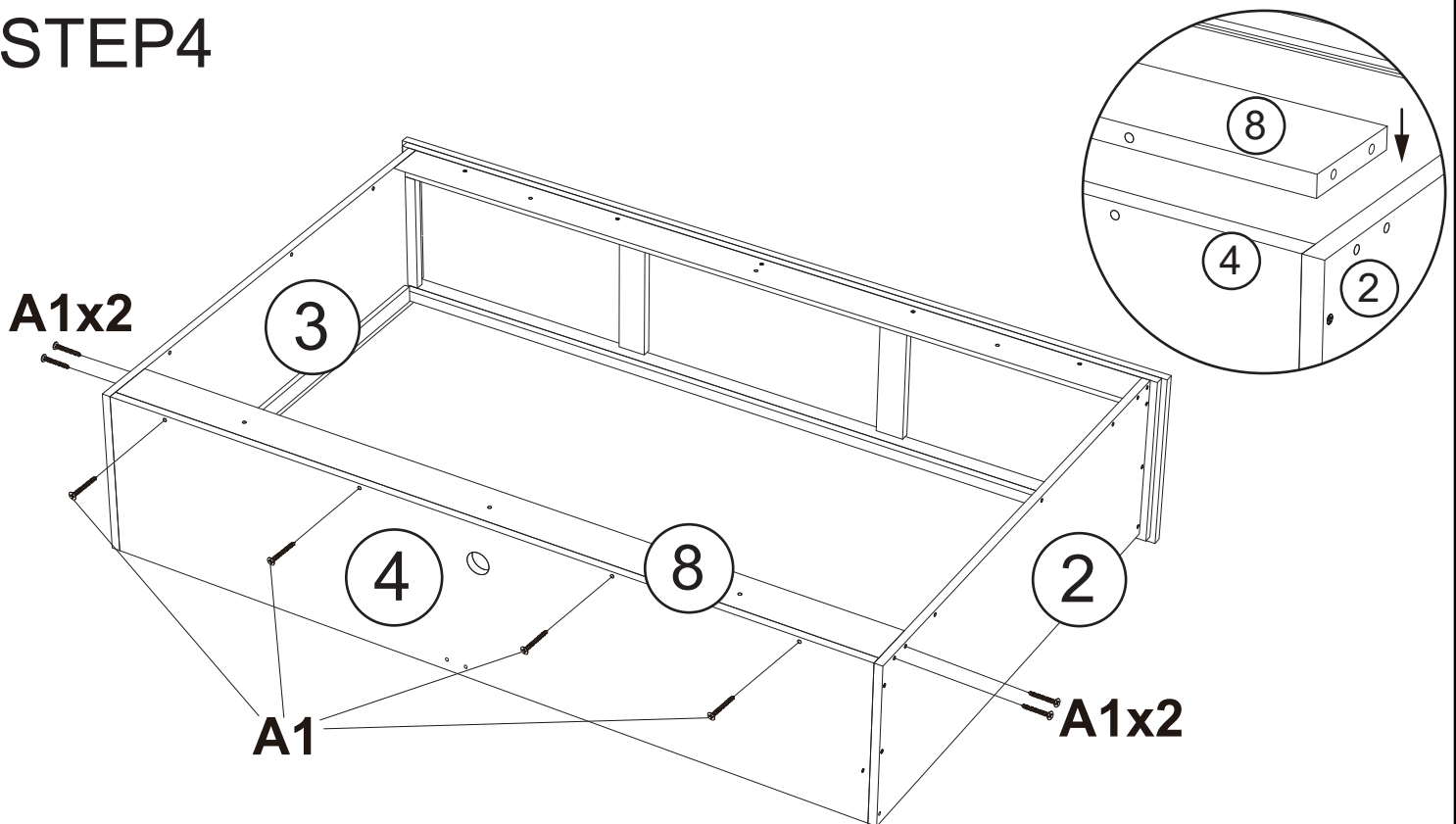
STEP3




As shown in the diagram, ensure the correct orientation of part #5. First, tighten the five screws A1 connecting part #5 to part #1. After securing these, connect the sides of part #5 to part #2 and part #3 using four screws A1.

A	×9
	
A1	
Ø 4x40mm	

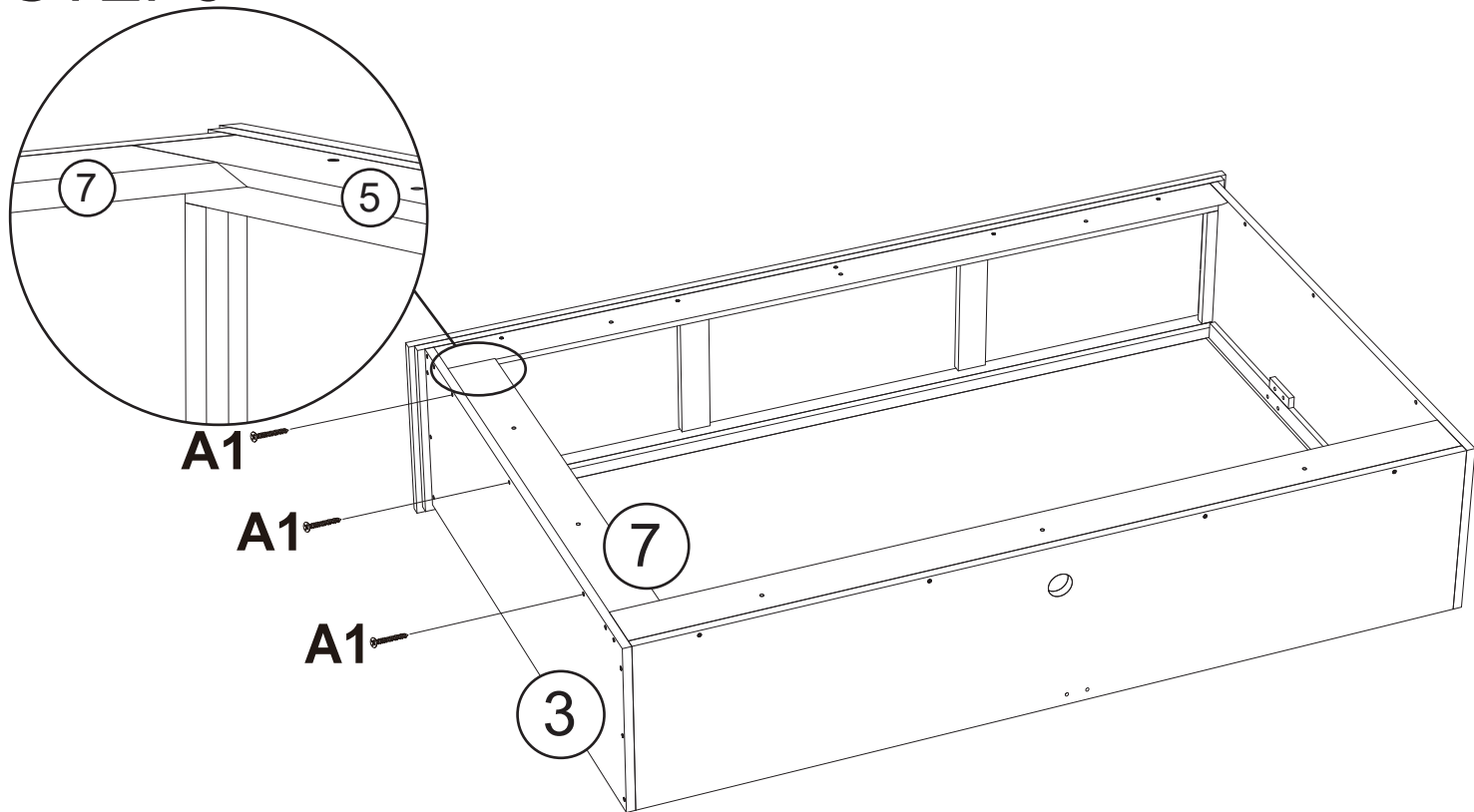
STEP4




As shown in the diagram, first connect part #8 to part #4 using screw A1 x4. After tightening, connect part #8 to part #2 and part #3 using screw A1 x4.

A	×8
	
A1	
Ø 4x40mm	

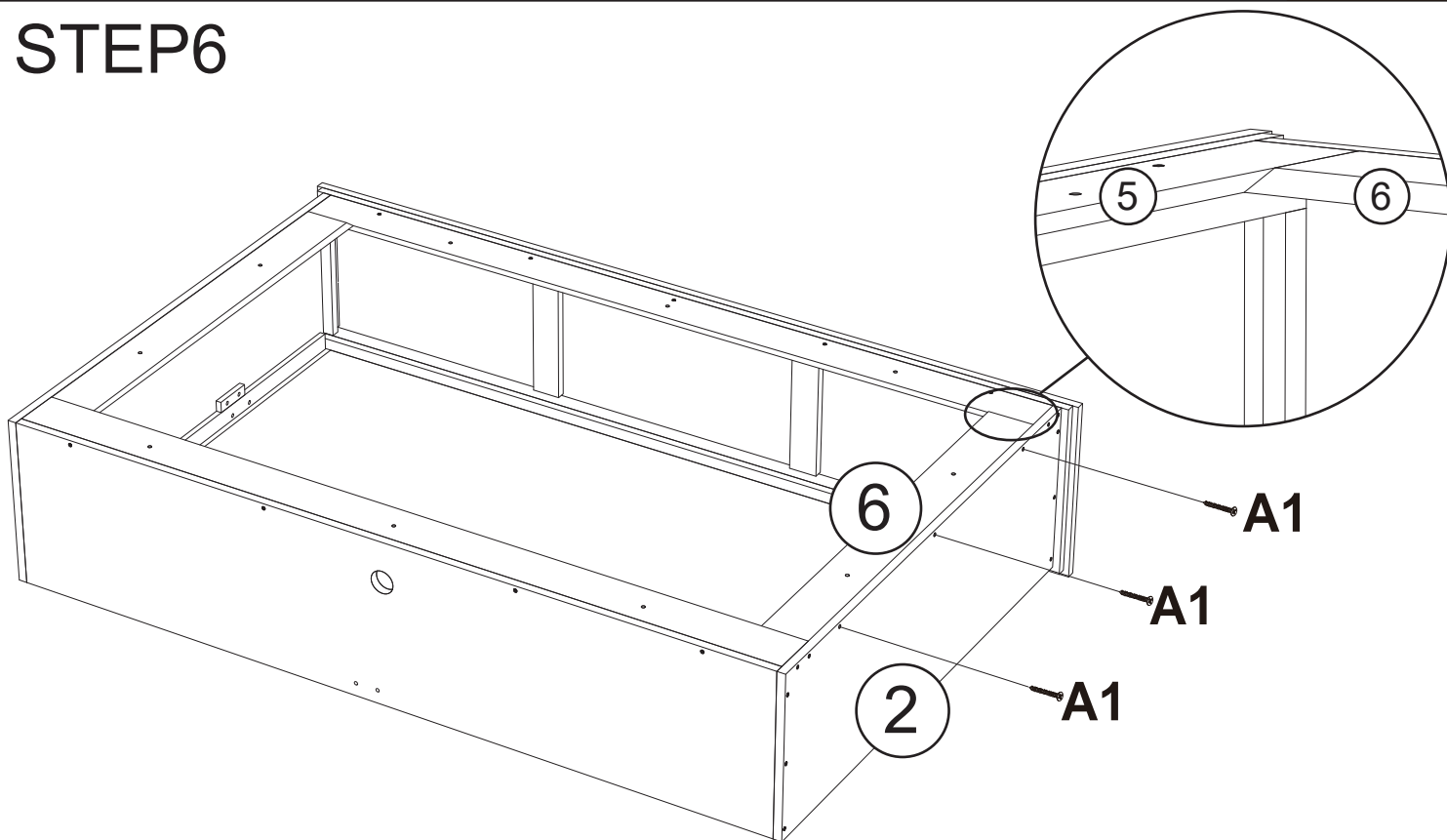
STEP5




As shown in the diagram, connect part #7 to part #3 using screw A1 x3.

A	x3
	
A1	
Ø 4x40mm	

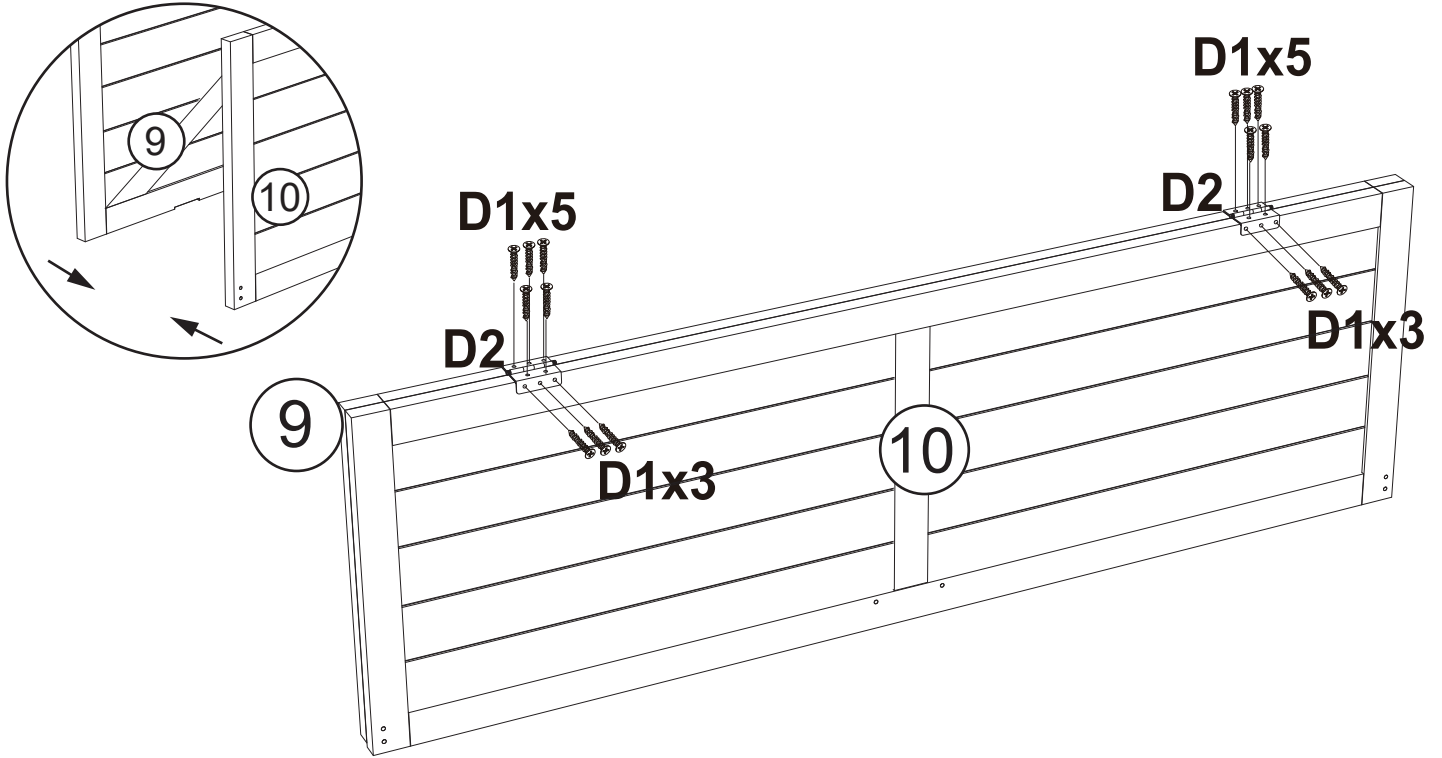
STEP6



As shown in the diagram, connect part #6 to part #2 using screw A1 x3.

A	x3
	
A1	
Ø 4x40mm	

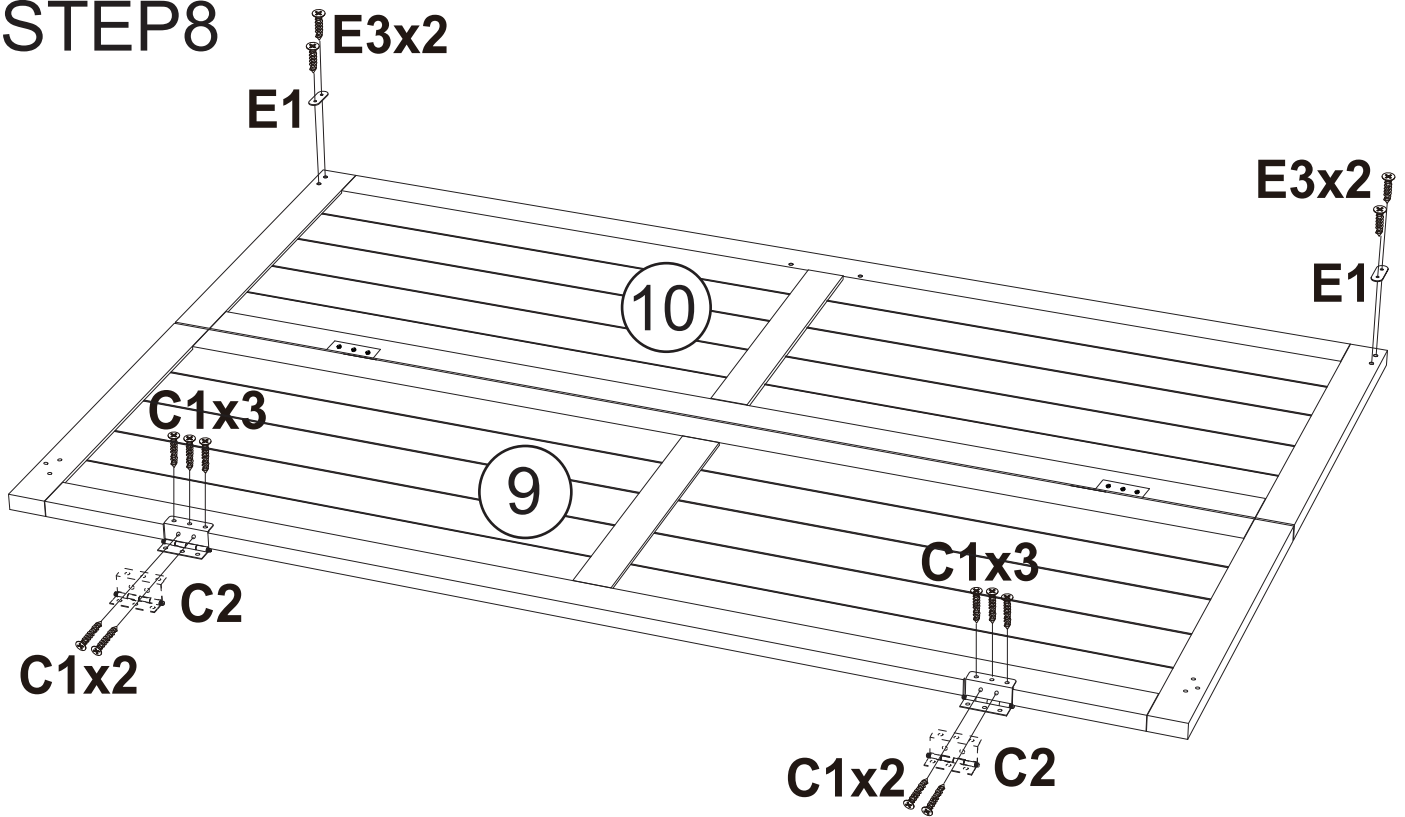
STEP 7



As shown in the diagram, place the two cabinet doors facing inward. Attach the doors #9 and #10 using hinges D2 and screws D1.

D			
x16		x2	
D1		D2	
Ø 3x20mm			

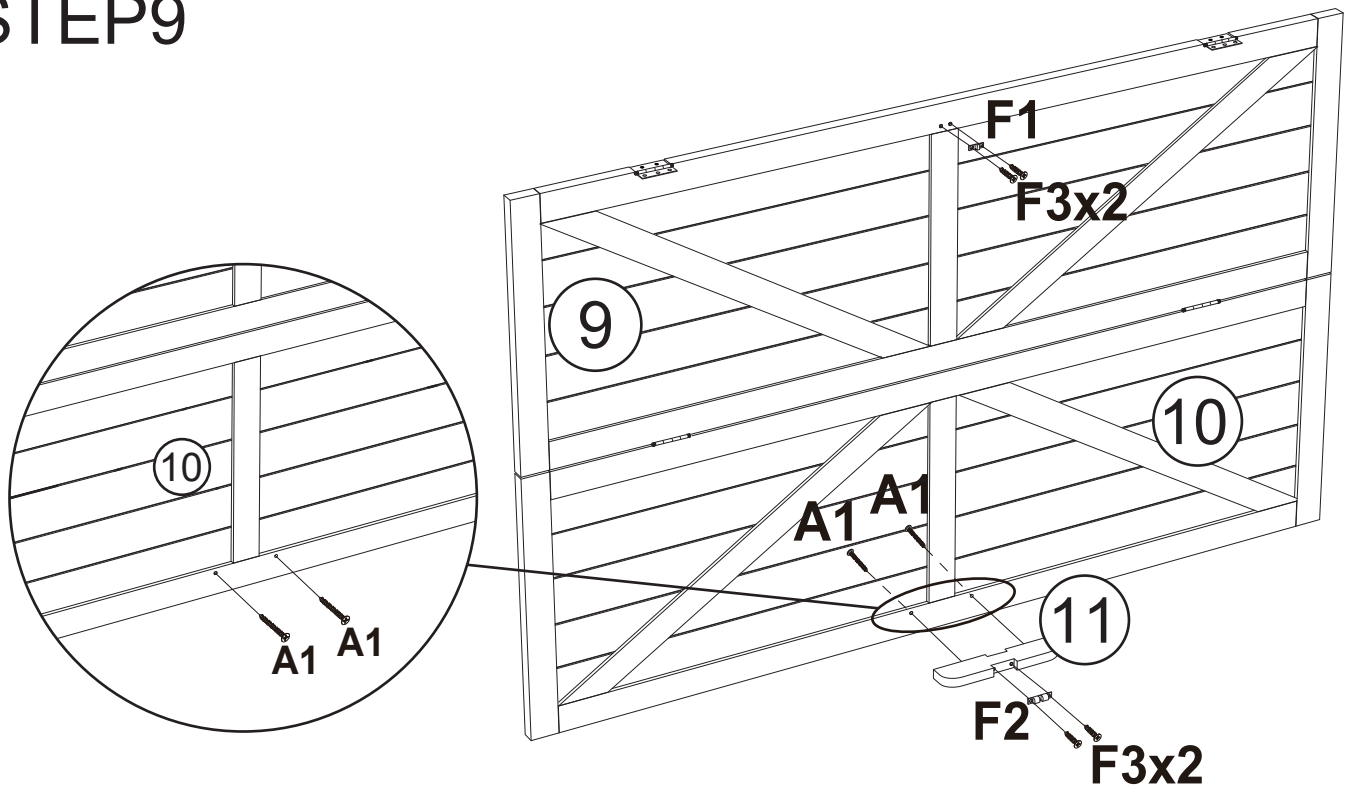
STEP 8








As shown in the diagram, use screws C1 to attach hinges C2 x2 to cabinet door #9. Then, use screws E3 x4 to install door catches E1 on cabinet door #10.

E		C	
x2	x4	x10	x2
E1	E3	C1	C2
Ø 3x12mm		Ø 3x20mm	

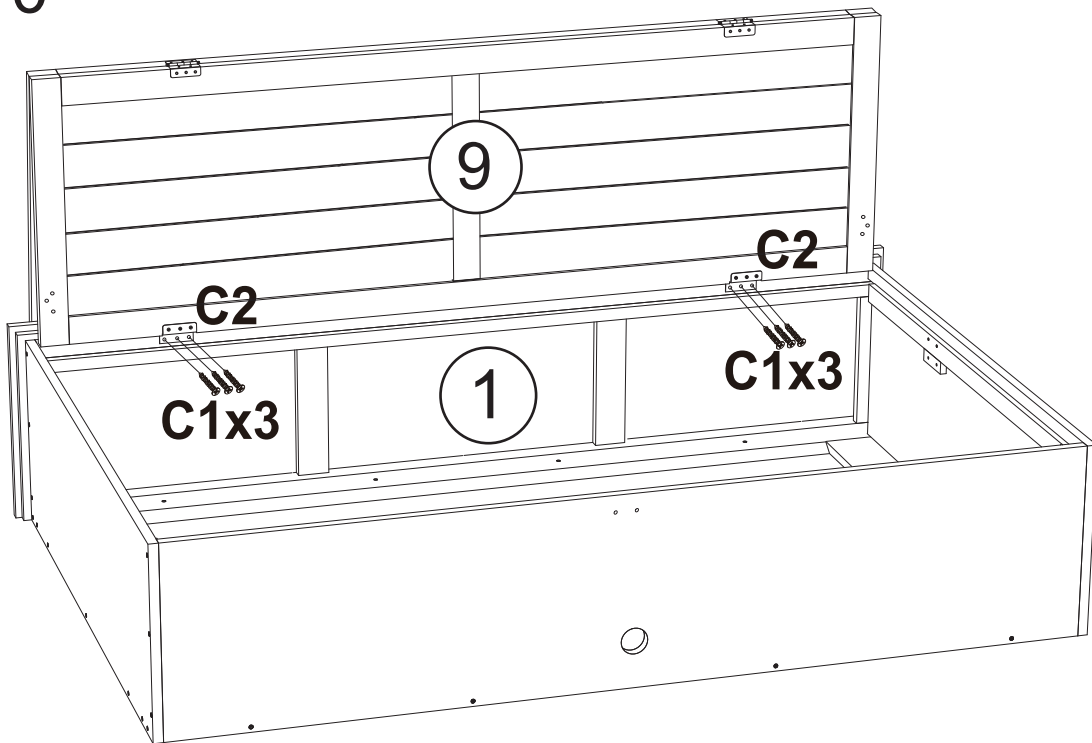
STEP9




As shown in the diagram, attach the door handle part #11 to cabinet door #10 using screw A1x2.
Secure part F2 to handle #11 using screw F4 x2, and then attach part F1 to top of door panel #9 using screw F3 x2.

A	*2	F	*1	*1	*4
					
A1		F1	F2	F3	F4
Ø 4x40mm					Ø 3x16mm

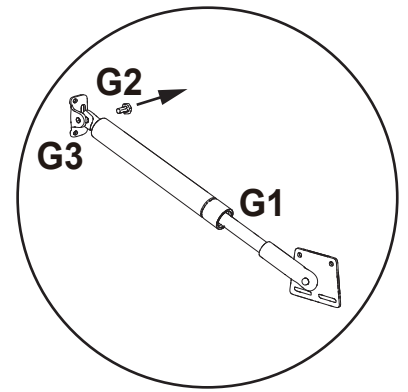
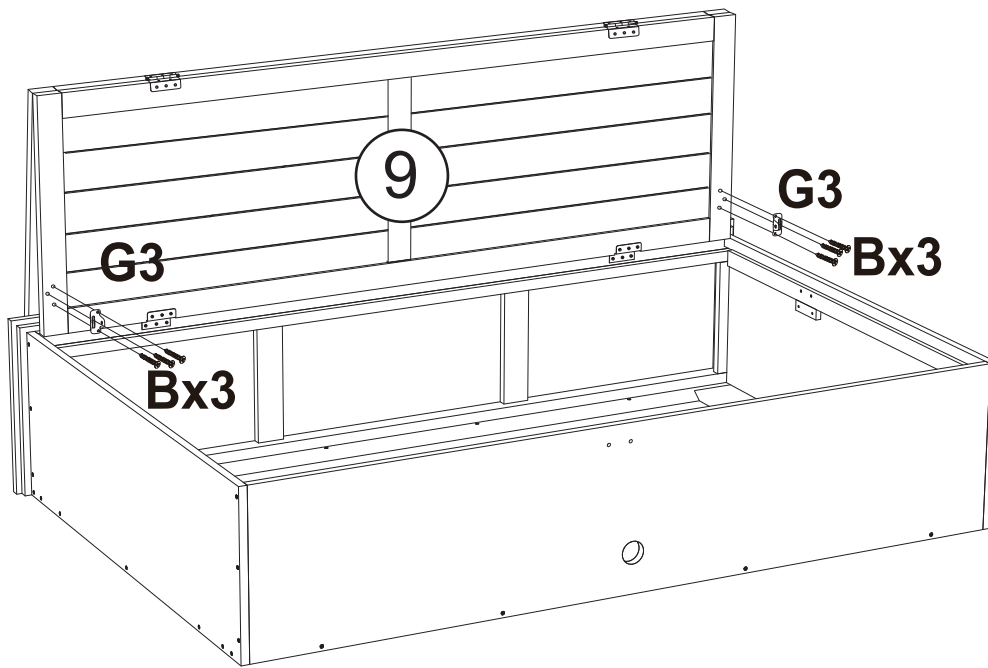
STEP10



As shown in the diagram, use three screws C1 to attach cabinet door #9 to part #1 through hinge C2 x2.
Ensure the door is centered during installation.

C	*6
	
C1	
	Ø 3x20mm

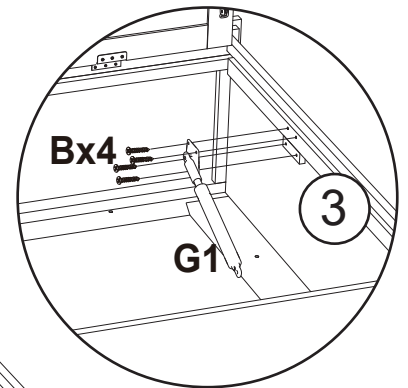
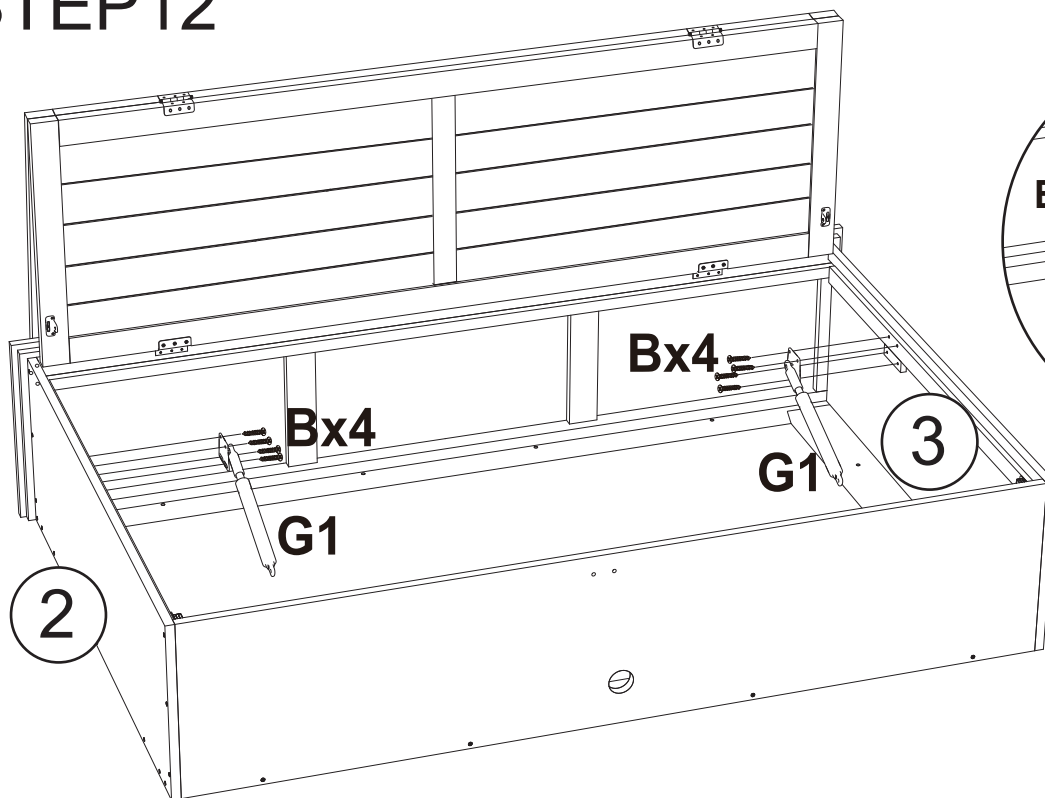
STEP 11



First, disassemble the gas spring G x2 by unscrewing screw G2, separating it into parts G1 and G3. Attach part G3 to cabinet door #9 on each side (refer to diagram 2 for the correct installation direction).

G	x2	B	x6
G1	G3	Ø 3x20mm	

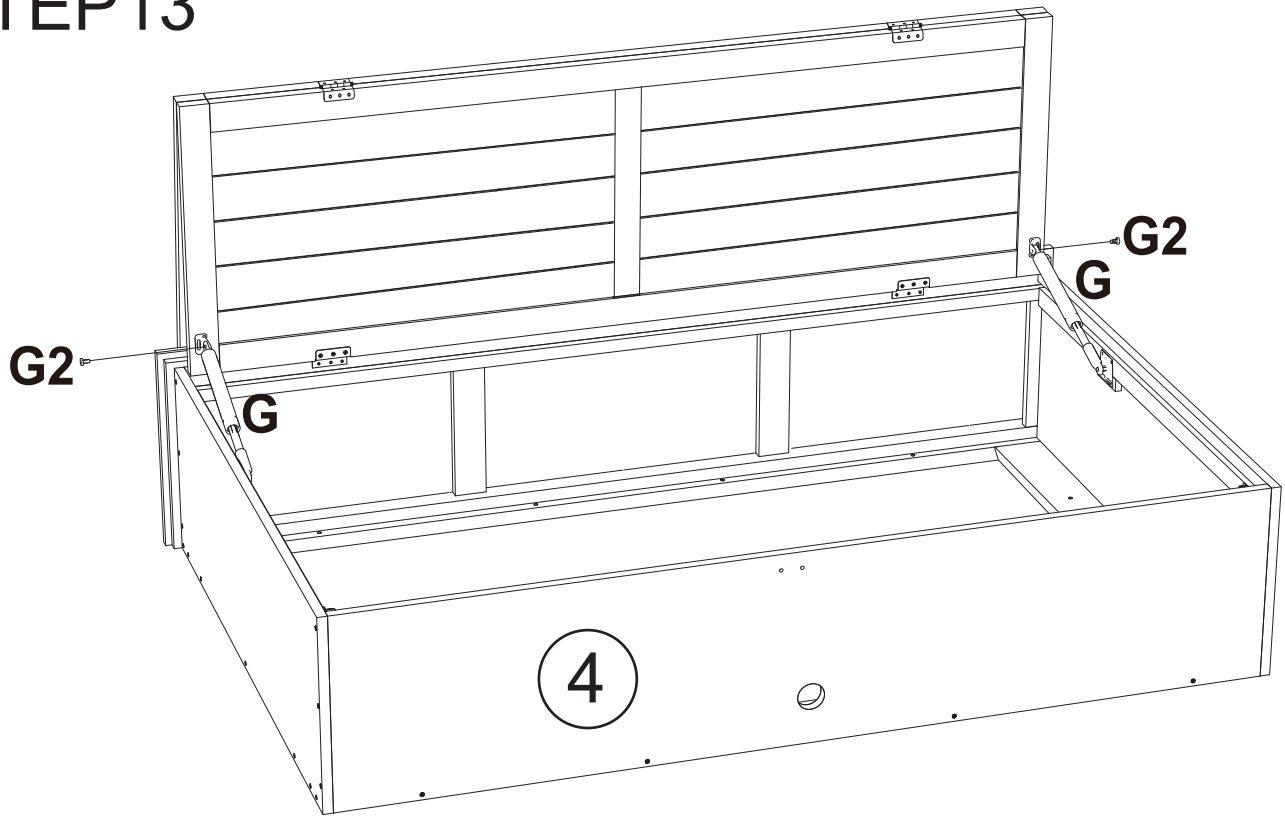
STEP 12



Using screws B x4, install gas spring G1 x2 to parts #2 and #3. Refer to the positioning in the diagram for easier installation.

G	x2	B	x8
G1	G3	Ø 3x20mm	

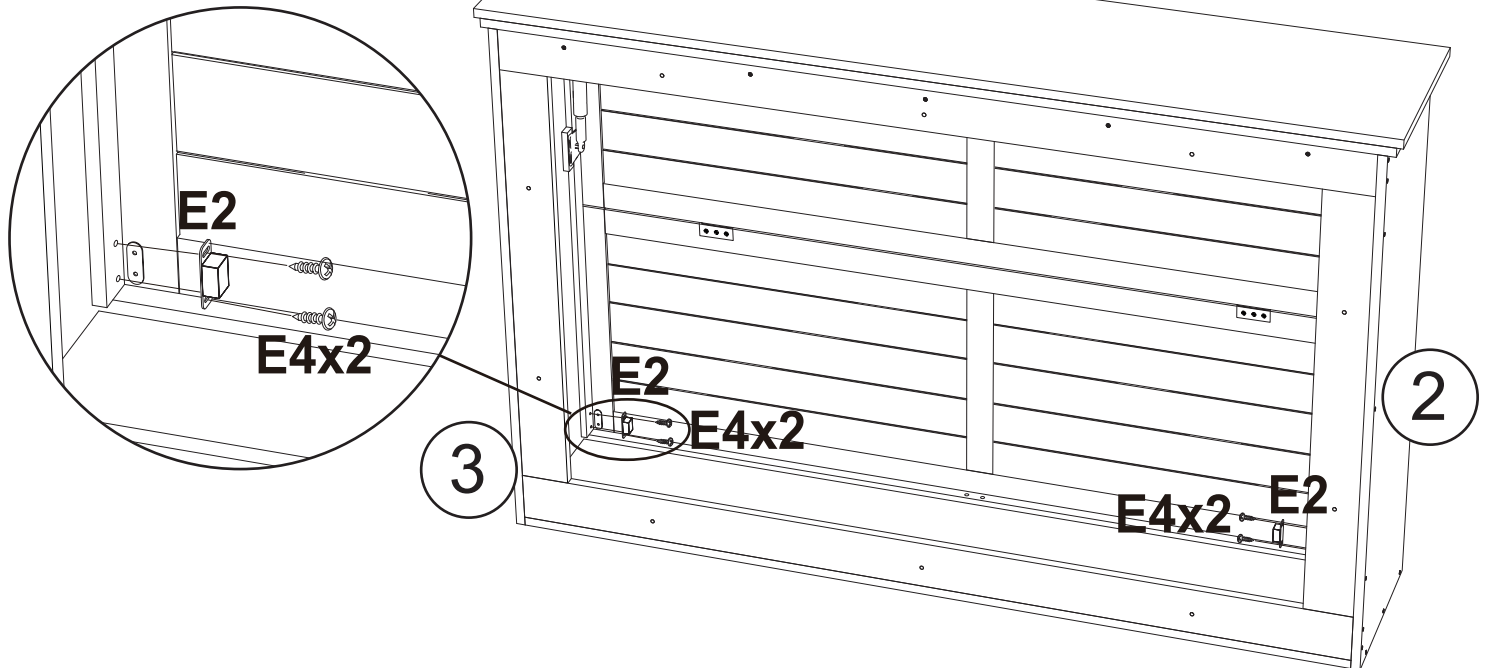
STEP 13



As shown in the diagram, connect both gas spring parts using G2 on each side, allowing the cabinet door to function properly.

G	x2
G1	G2 G3

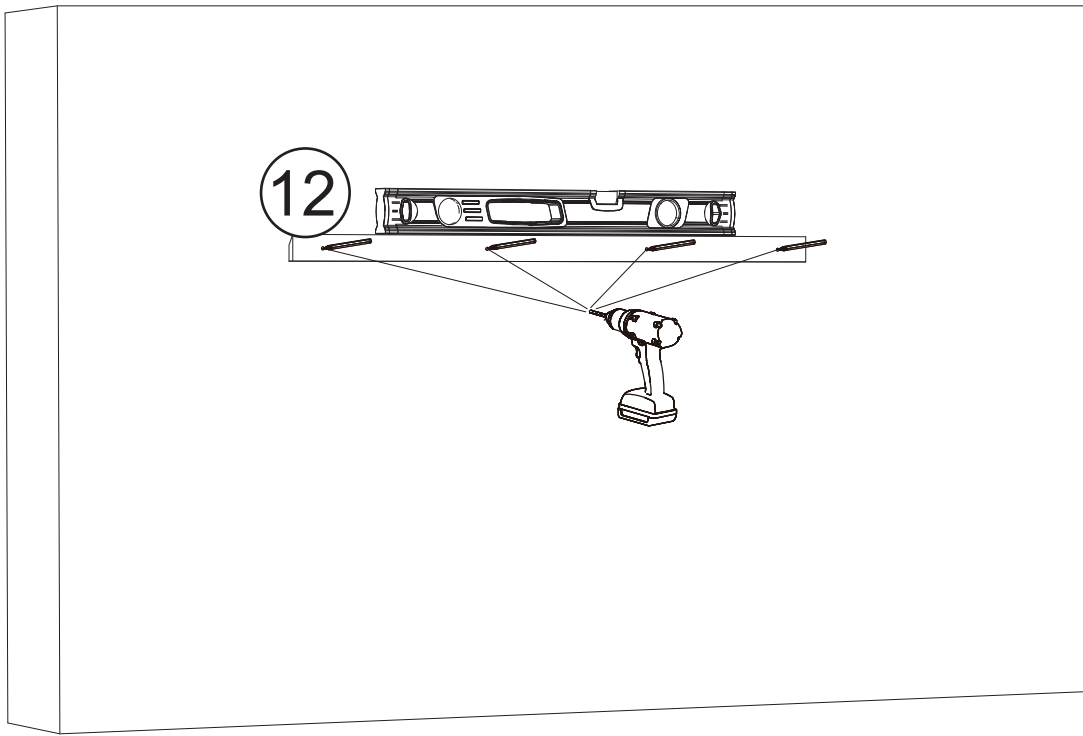
STEP 14



As shown in the diagram, attach the magnetic catch E2 to parts #2 and #3 using screws E4. Do not fully tighten the screws at first. After closing the door and ensuring the magnetic catch holds the door securely, fully tighten screws E4.

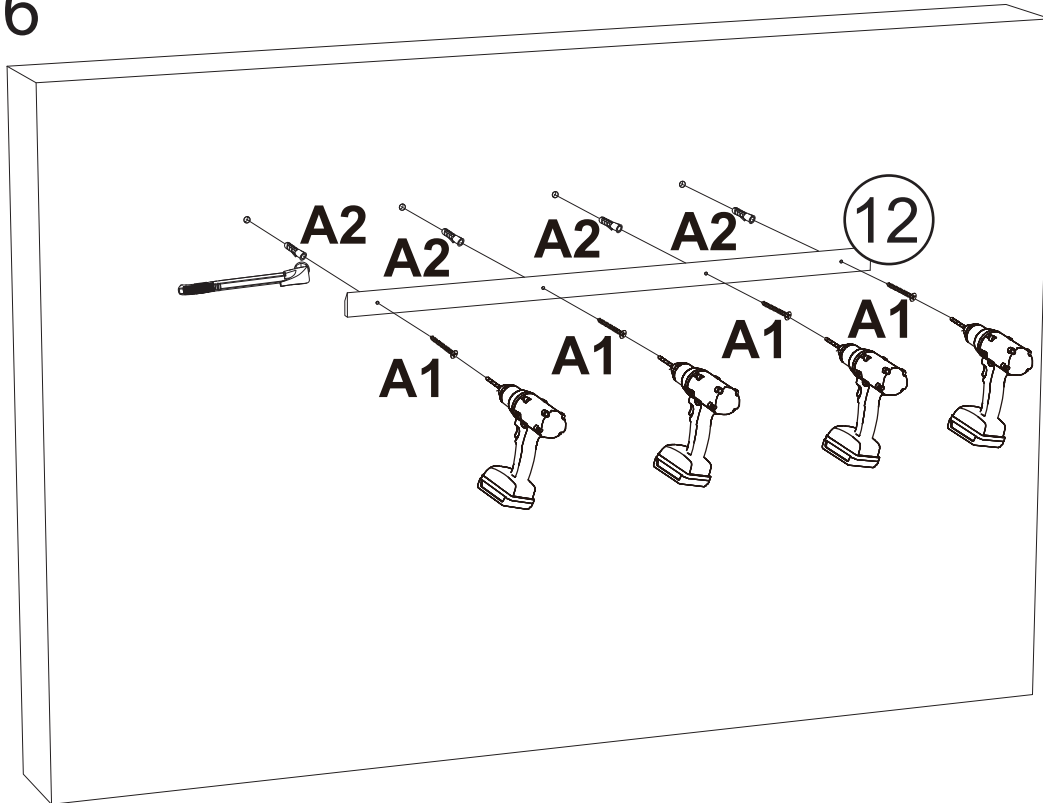
E	x2	x4
E2	E4	
Ø 3x12mm		

STEP 15





Based on the desired height for the TV cabinet, use a level and marker to mark the installation holes for part #12. Drill the holes using a 5mm drill bit.

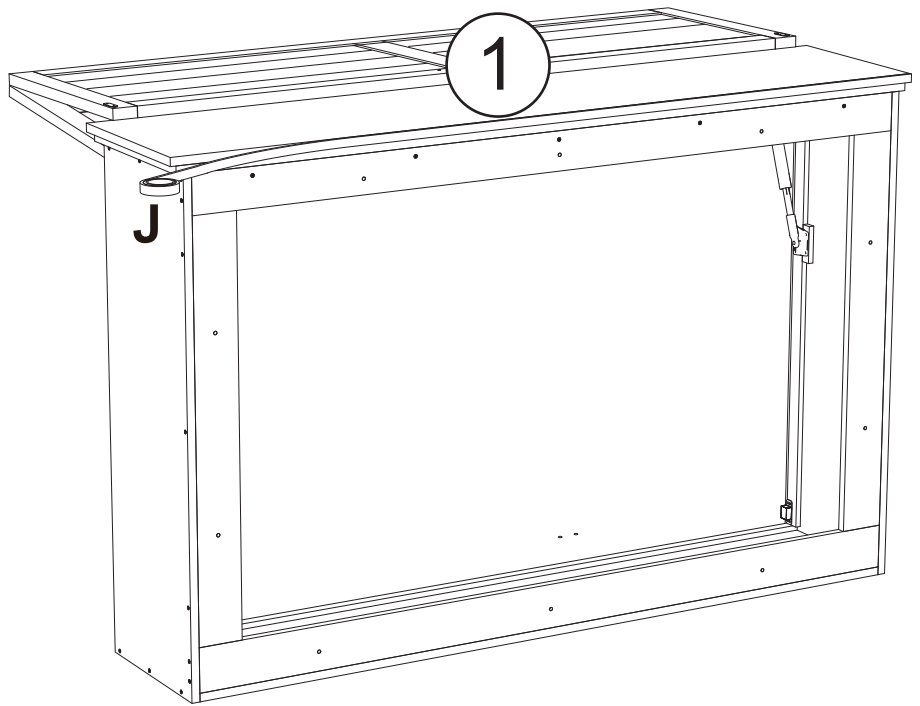
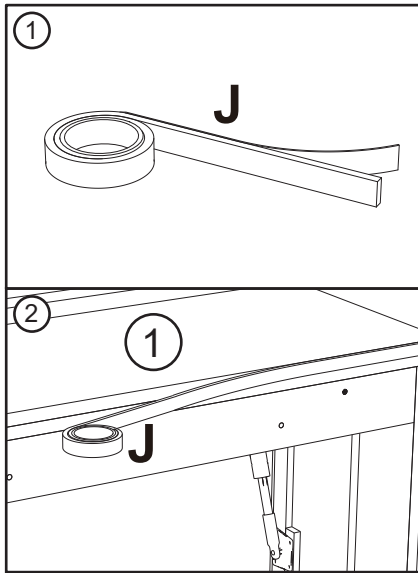
STEP 16




Insert the plastic anchors A2 into the holes, then secure part #12 to the wall using screws A1.

A	
 x4	 x4
A1	A2
Ø 4x40mm	

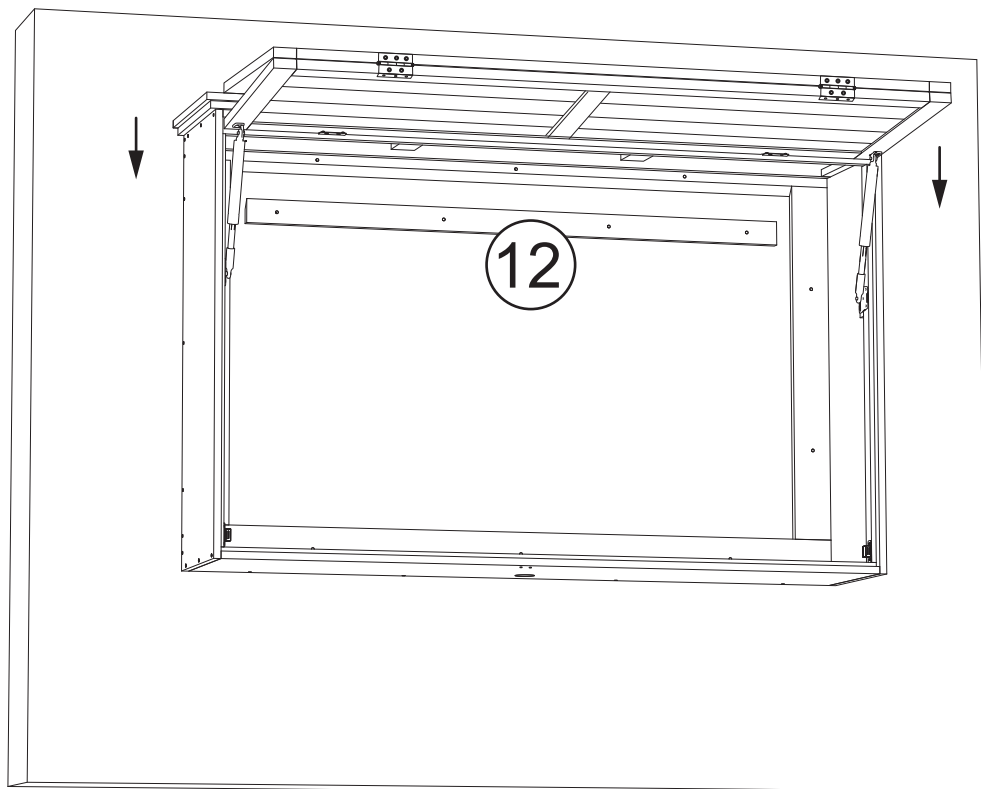
STEP 17



For better waterproofing, we provide EVA sealing strips part J. As shown in the diagram, attach the sealing strips J to part #1, ensuring that the strips are flush with or slightly above the top of the cabinet. Note: If there is an overhead cover or eaves above the TV cabinet, you can skip this step. The purpose of the sealing strips J is to prevent water from seeping into the TV cabinet from above.

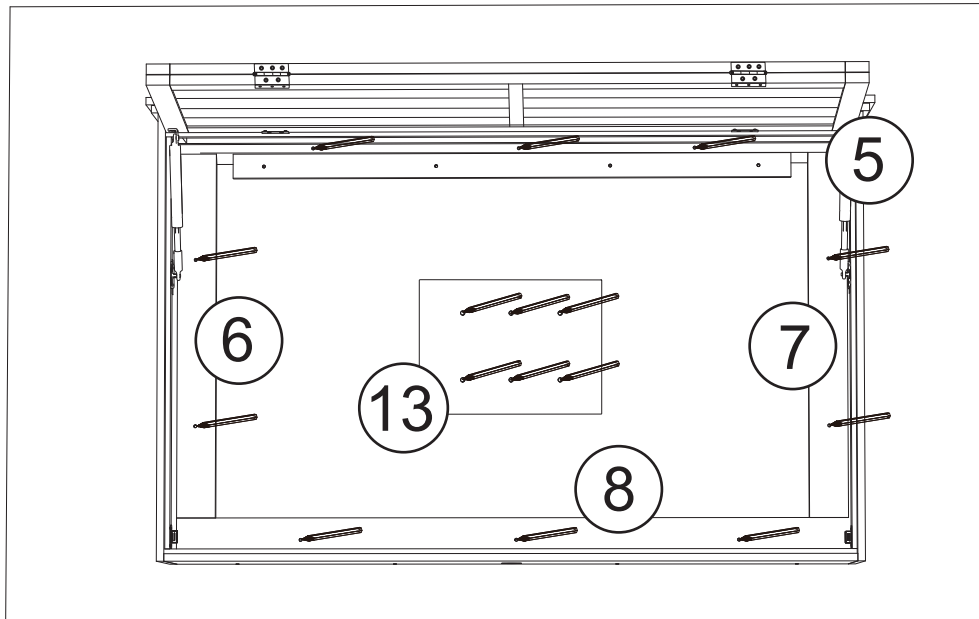
J	*1
	
2cmx2m	

STEP 18



As shown in the diagram, hang the cabinet on the wall. It is recommended to have two people lift it.

STEP19

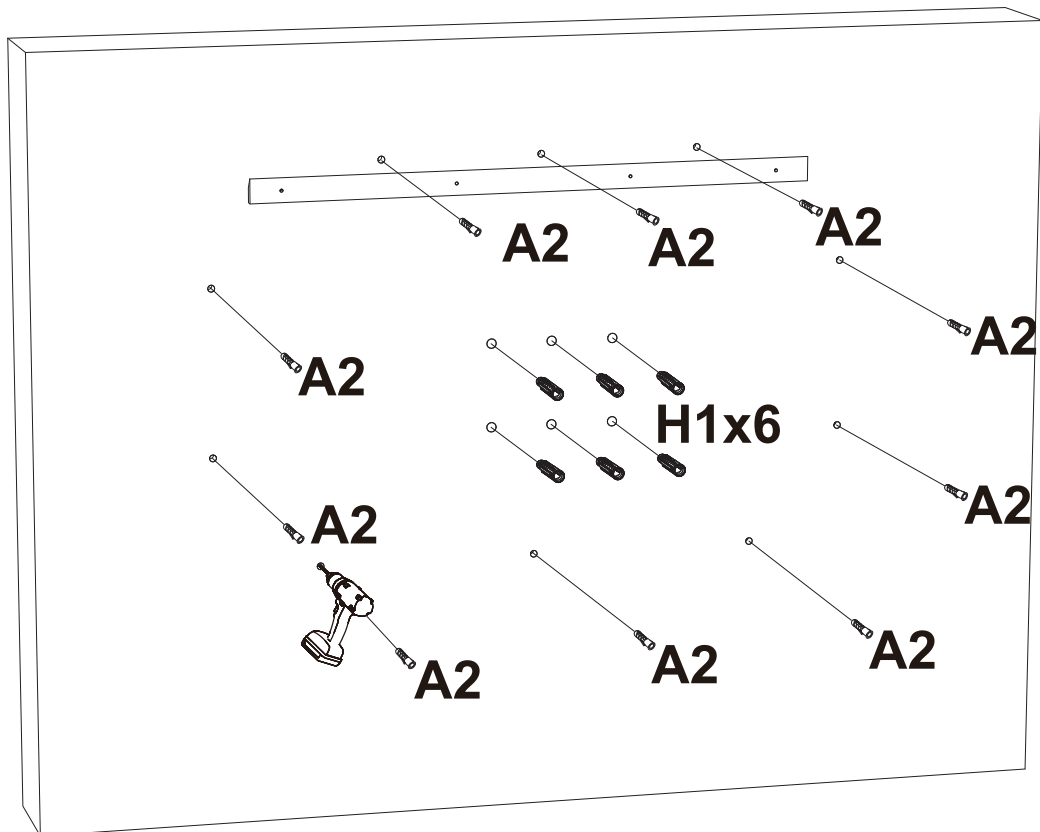


Part #13 is generally installed in the center of the TV cabinet. Use a marker to mark all the necessary drilling positions, then remove the cabinet.



Note: If the mounting holes for your TV are higher or lower, adjust the position accordingly.

You may also choose to install directly without using part #13.

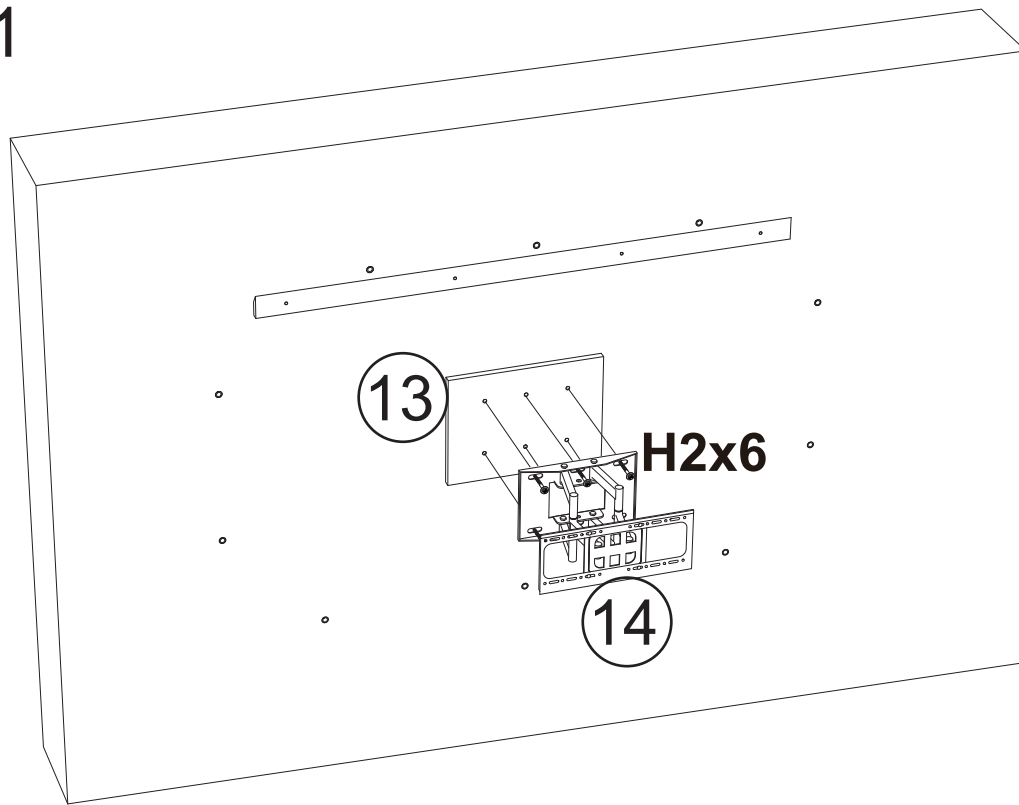
STEP20




As shown in the diagram, use a 5mm drill bit to drill the holes for mounting the cabinet and a 10mm drill bit for the TV bracket holes. After drilling, insert the plastic anchors A2 and H1 into the corresponding holes.

H	*6	A	*10
			
H1		A2	
∅ 10x45mm			

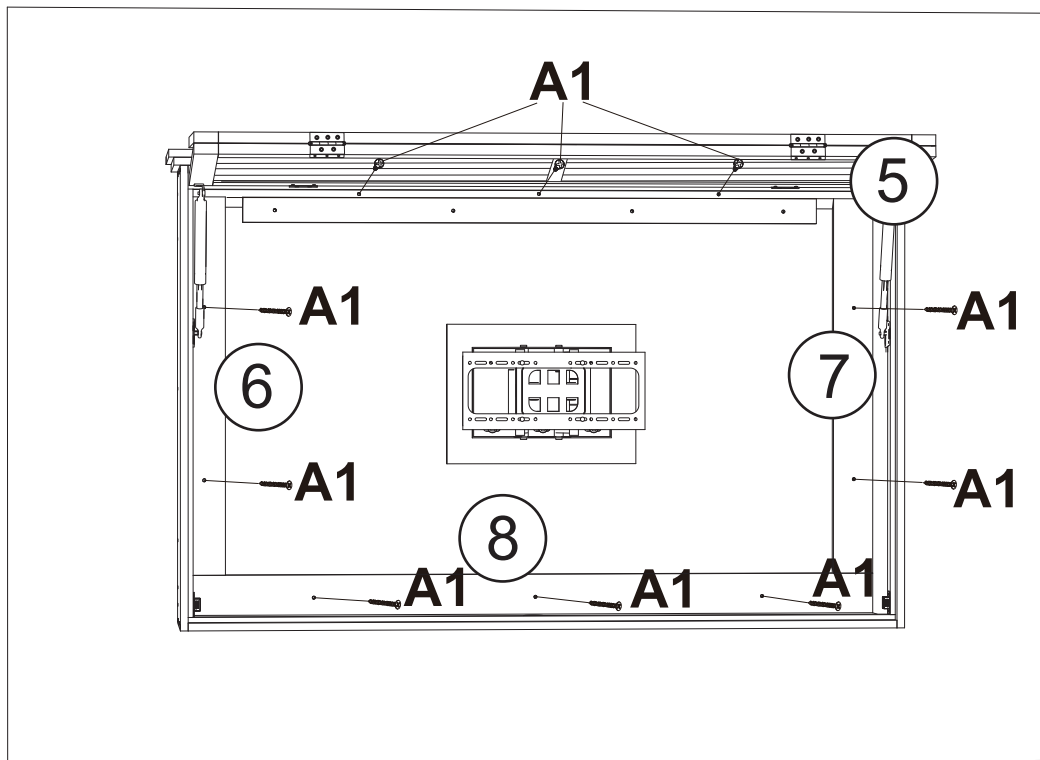
STEP21




As shown in the diagram, use screws H2 to secure the main TV bracket #14 and part #13 to the wall. Please note, donot fully tighten the screws H2 initially. Adjust part #13 and the TV bracket #14 to a level position before tightening all screws H2 completely.

H	×6
	
H2	
Ø 10x70mm	

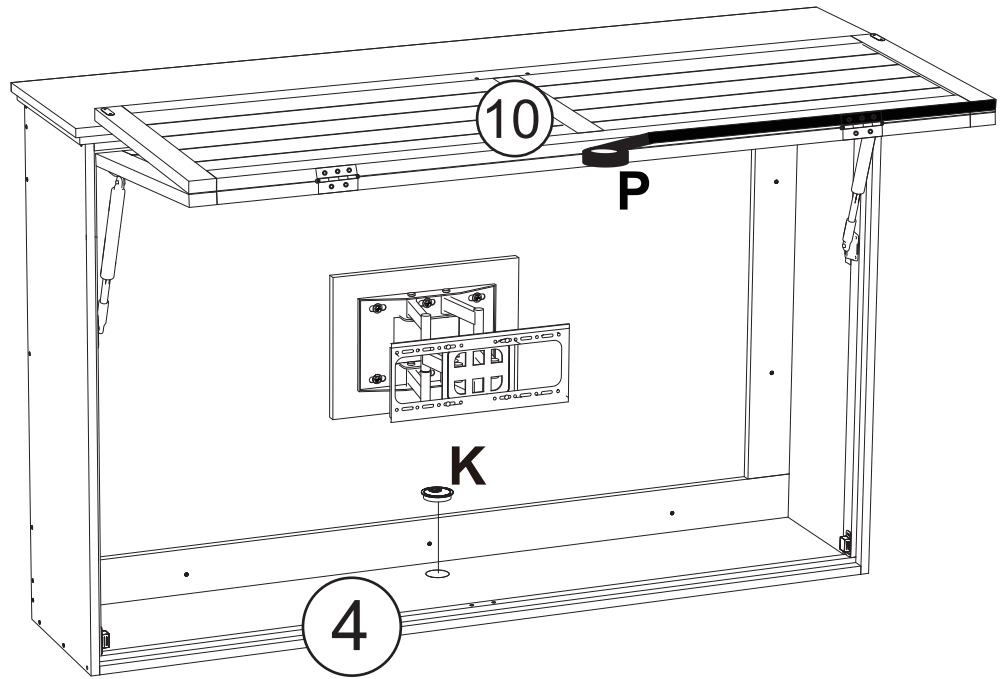
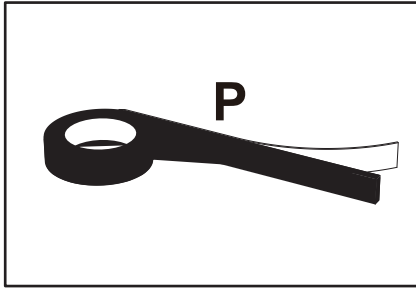
STEP22





As shown in the diagram, hang the TV cabinet on the wall and secure it using screws A1.

A	×10
	
A1	
Ø 4x40mm	

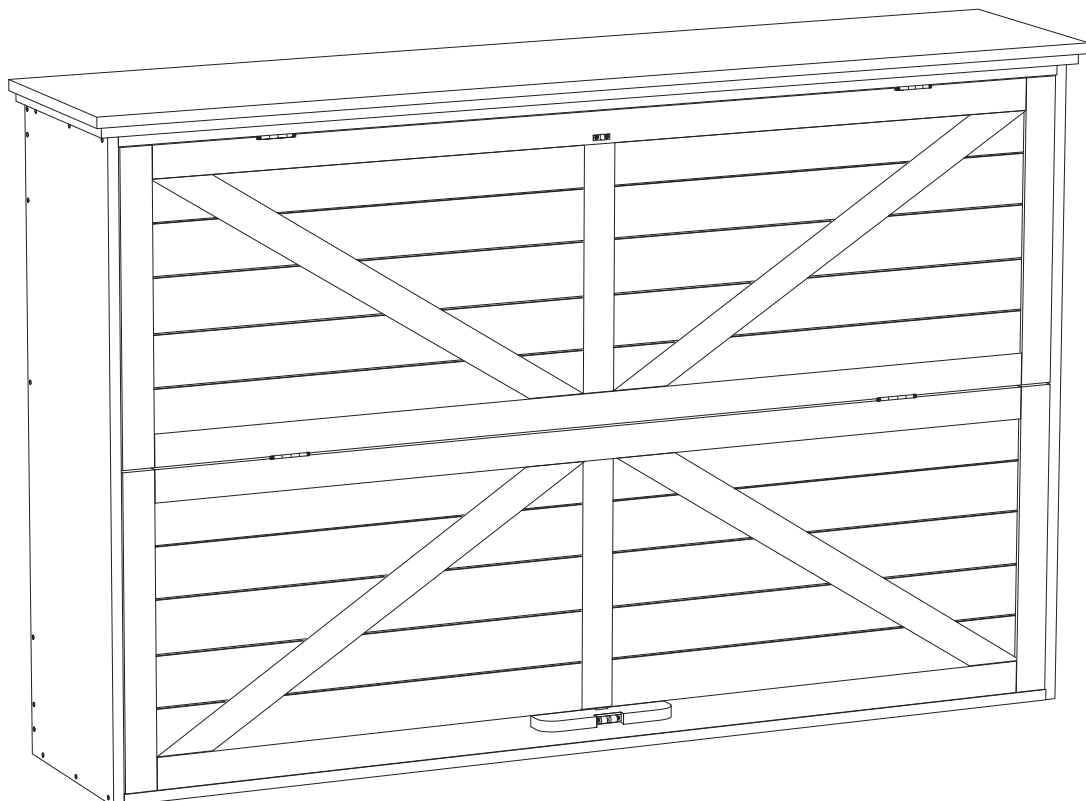
STEP 23



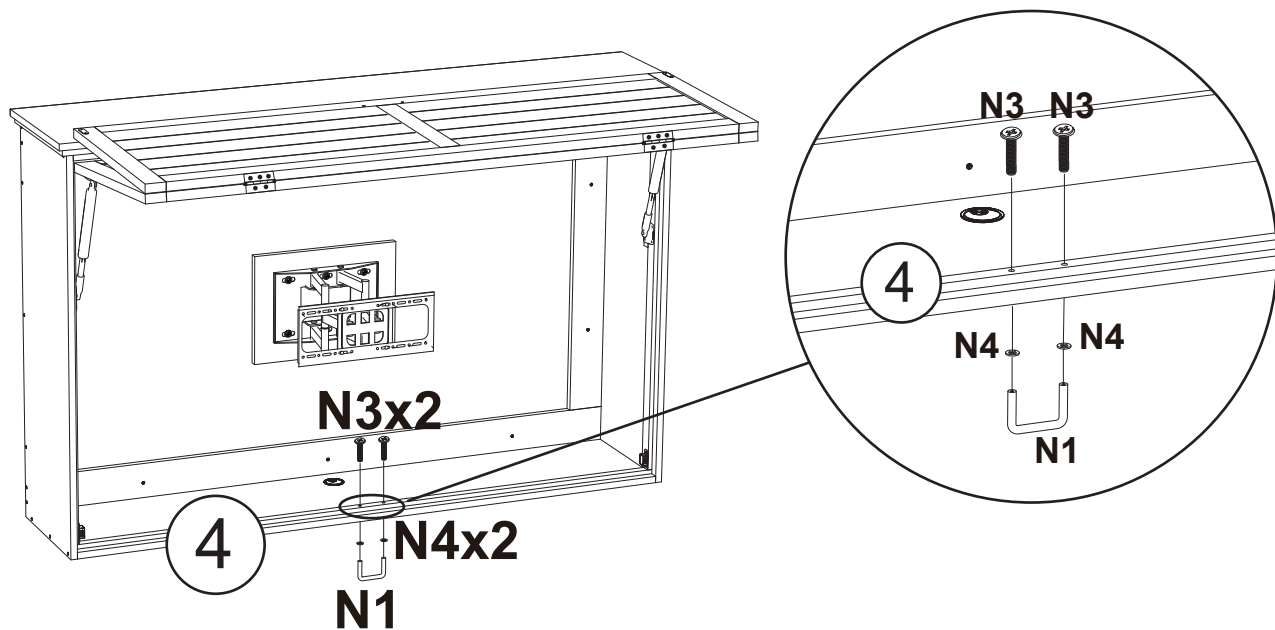
As shown in the illustration, attach seal strip P to the edge of part #10, making sure to align it with the top edge as closely as possible for a neat appearance. Then, install dust cover K into the cable hole of part #4.

P	*1	K	*1
			
1.5cmx1.5m			

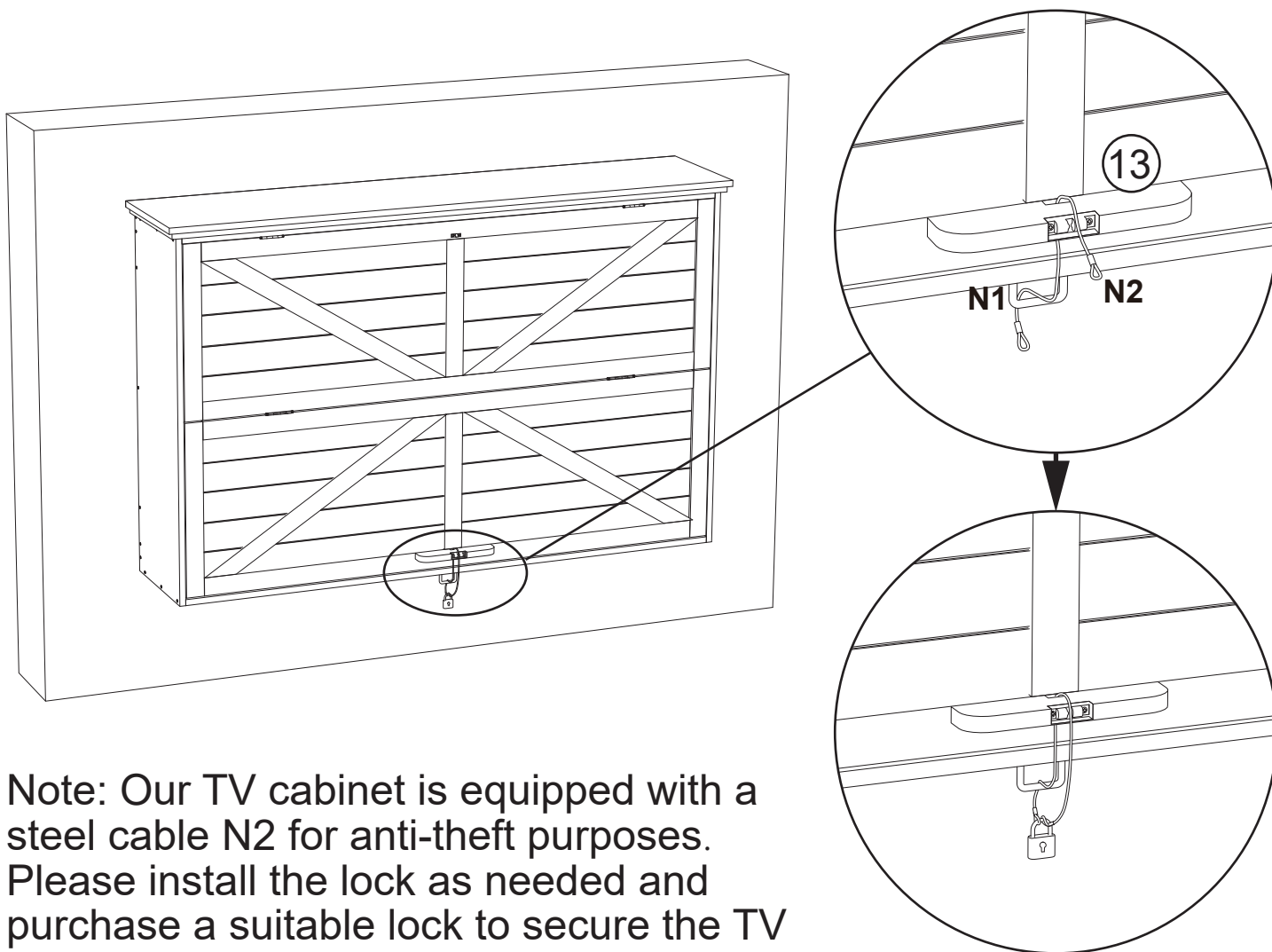
The basic installation is complete. Below are the steps for optional installation and the steps for mounting the TV onto the TV cabinet.







Steps for optional installation




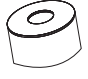


As shown in the diagram, please use screws N3 x2 and washers N4 x2 to connect lock buckle N1 to part #4, and tighten screws N3.

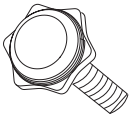
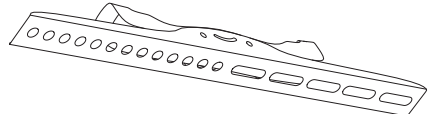


Note: Our TV cabinet is equipped with a steel cable N2 for anti-theft purposes. Please install the lock as needed and purchase a suitable lock to secure the TV cabinet yourself.

N	x1	x1	x2	x2
				
N1	N2	N3	N4	
Ø 4x25mm				

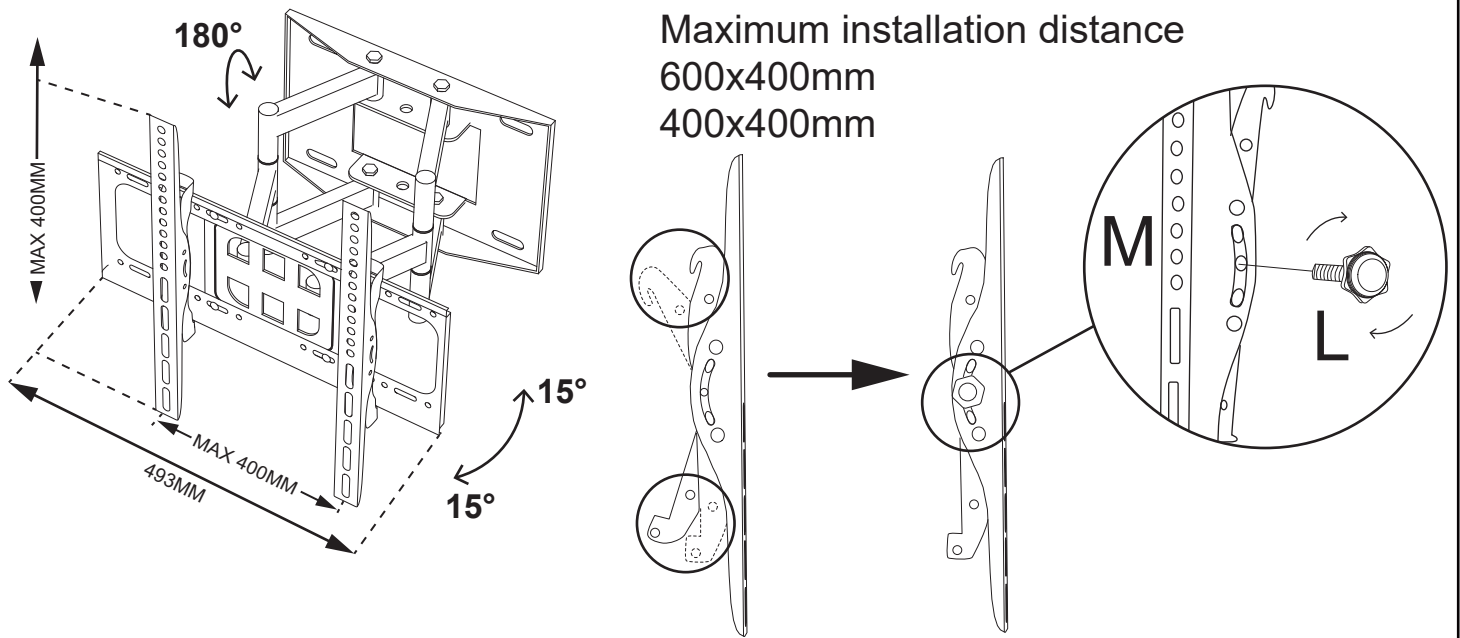
The following screw accessories are in the same package please sort them by yourself.

 <p>x2 Ø 6x45mm</p>	<p>These two screws are designated as #1 Used for securing accessory M to the main body of the TV bracket.</p>
 <p>x4 Black plastic washers</p>	<p>These four black plastic washers are designated as #2 Used as buffers when connecting the TV and accessory M.</p>
<p>x4 x4</p>  <p>Metallic Washer Ø 16mm Ø 17mm</p>	<p>The metal washer is designated as #3 and is used with screw #4 according to the TV model.</p>
<p>x4 x4 x4</p>  <p>Ø 5x25mm Ø 6x25mm Ø 8x25mm</p>	<p>These three screws are designated as #4. We provide three types of screws in total select one according to your TV model.</p>

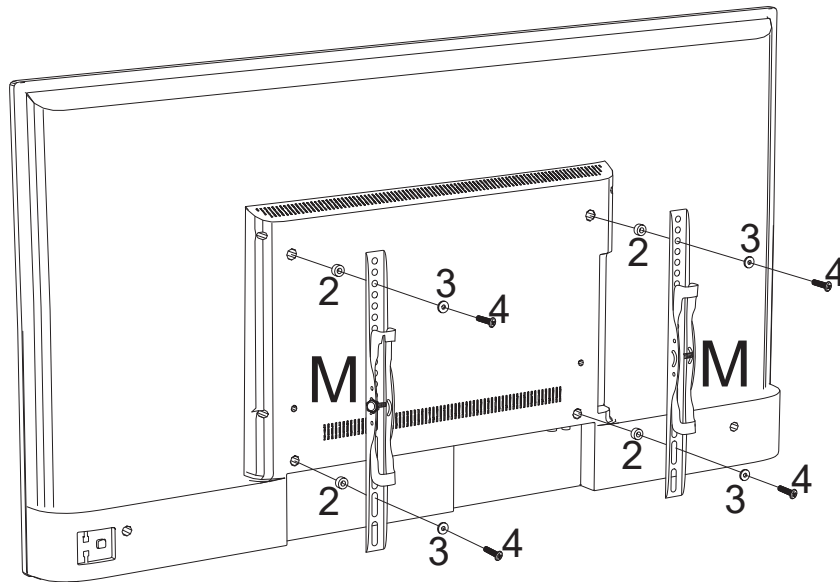
<p>L</p>	<p>x2</p>	<p>M</p>	<p>x2</p>
			

⚠ WARNING

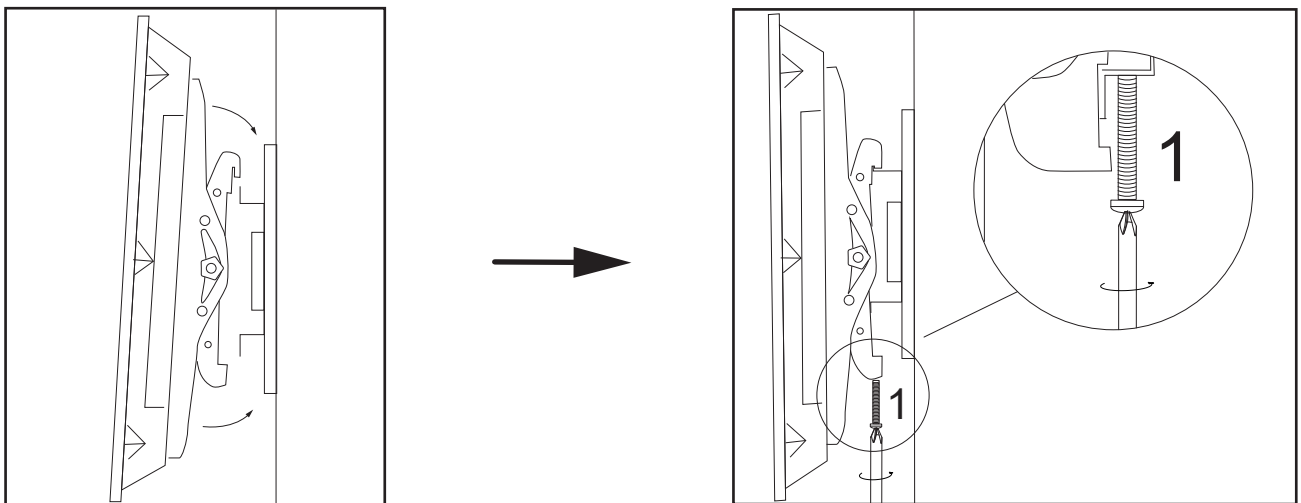
- 1.The wall installed TV bracket must be firmness and tightness, Such as concrete wall,solid brick wall and solid wood wall, DO not install on hollow and floppy walls.
- 2.Tighten screw so that wall plate is firmly attached but do not over tighten. Overtightening can damage the screws. Greatly reducing their holding power.
- 3.DO not remove screw or loosen screw until it is no longer engaged with the mount. Doing so may cause the screen to fall.
- 4.For security option,tighten all the screws with security allen wrench.
- 5.PLAT PANEL TV MOUNTS should be installed by specialist.



Please adjust according to the angle from which you will be viewing the TV, and then tighten part L onto part M.



As shown in the diagram, use the black plastic washers #2 and the appropriate spacer #3 to attach part M to the back of the TV using screw #4.



Finally, hang the TV onto the main TV bracket and tighten screw #1 to securely fasten the TV to the bracket.