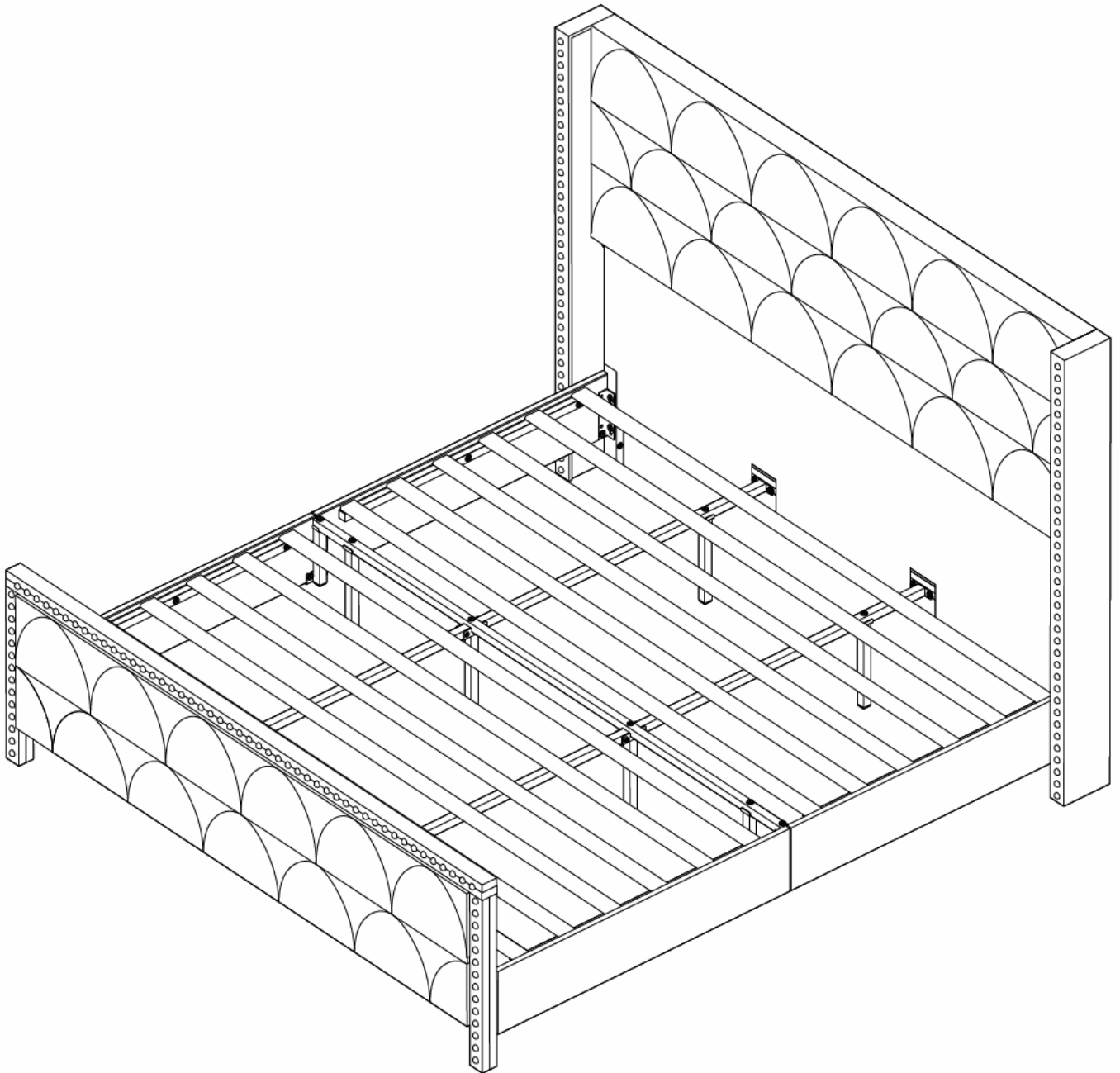
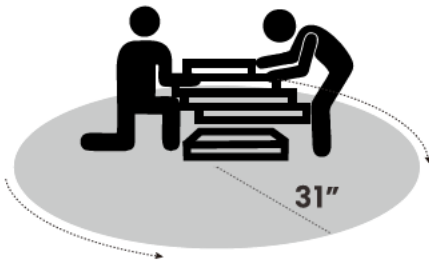
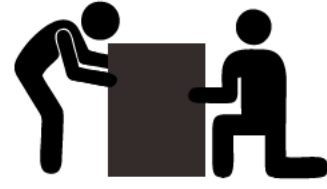


Assembly Instructions

Velvet Platform Bed



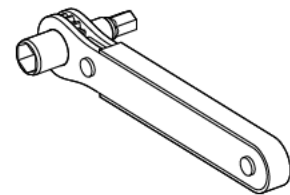
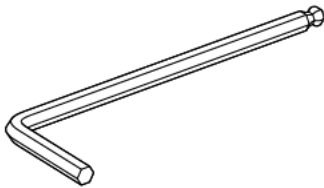
Thank you for your purchase. Please note the King-size bed comes in two packages. Make sure you have received both boxes before following the assembly instructions. If you have any issues, don't rush to return - contact us first.



Sufficient space

Leave at least **80 cm (31 in)** around the product to ensure that there is enough space for easy movement and assembly.

Tools required for assembly



WARNING :

Be careful not to let children swallow the assembling parts

Please put the unpacked plastic bag or foam back into the carton for easy disposal

Achten Sie darauf, dass Kinder die Montageteile nicht verschlucken.

Bitte legen Sie die ausgepackte Plastiktüte oder den Schaumstoff zur einfachen Entsorgung wieder in den Karton.

注意不要让儿童吞下组装部件

请将拆开的塑料袋或泡沫放回纸箱中，以便于处理

子供が組み立て部品を飲み込まないように注意してください

開封したビニール袋または発泡スチロールは、簡単に処分できるようにカートンに戻してください

어린이가 조립 부품을 삼키지 않도록 주의하세요

포장을 푼 비닐 봉지나 폼은 쉽게 폐기할 수 있도록 상자에 다시 넣어주세요

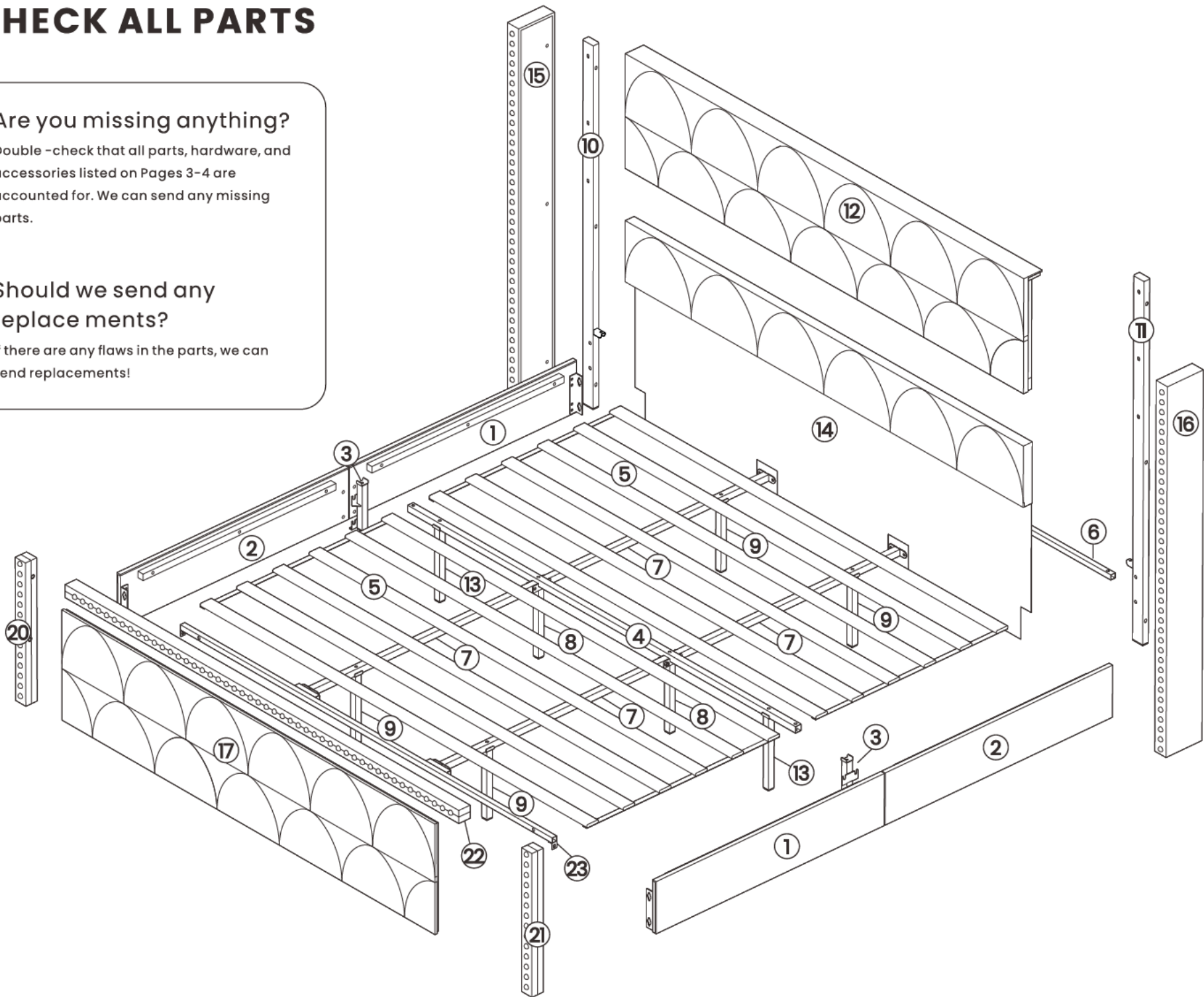
✓ CHECK ALL PARTS

Are you missing anything?

Double-check that all parts, hardware, and accessories listed on Pages 3-4 are accounted for. We can send any missing parts.

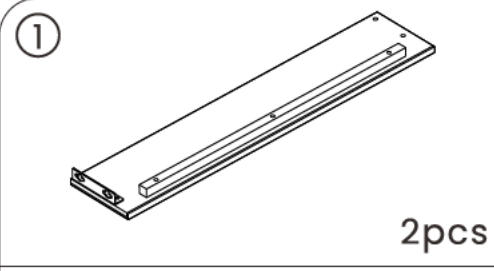
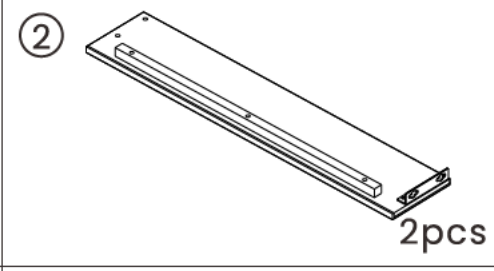
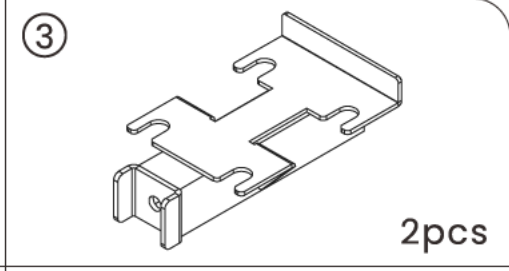
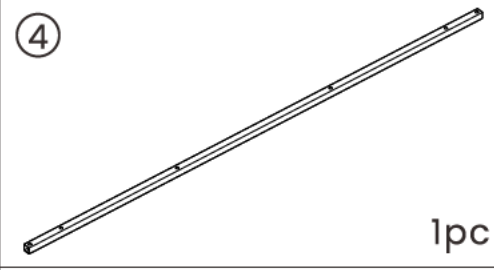
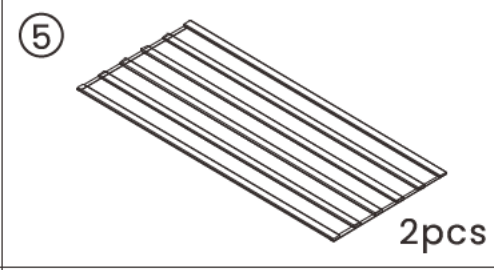
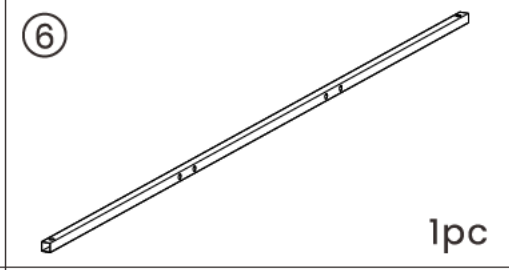
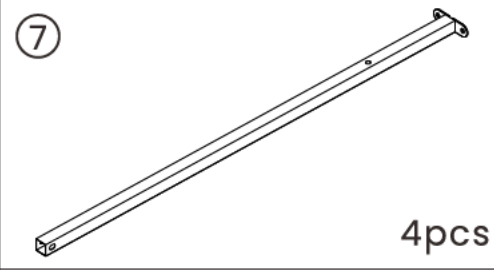
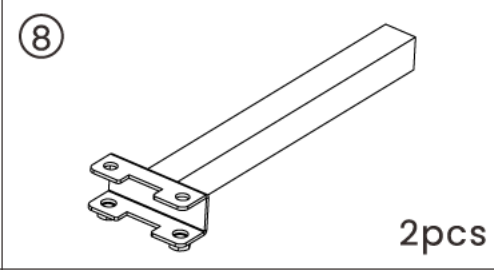
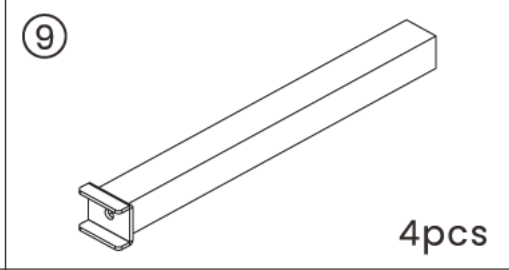
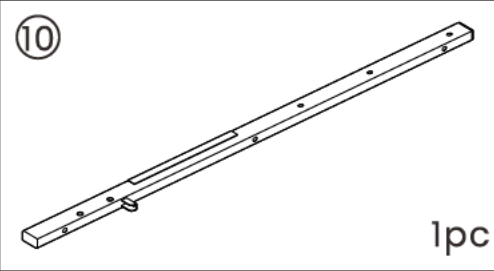
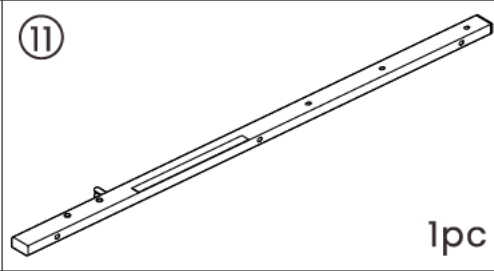
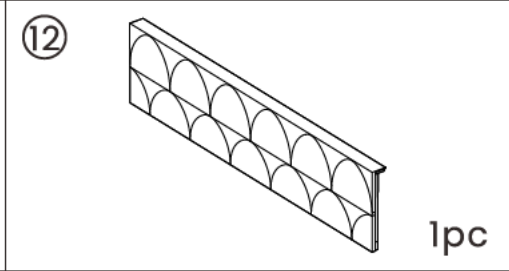
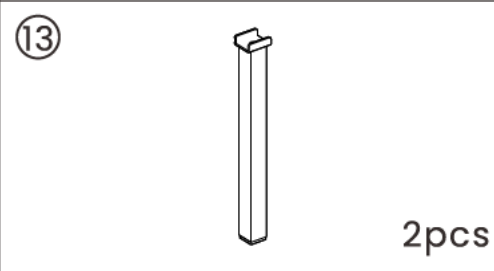
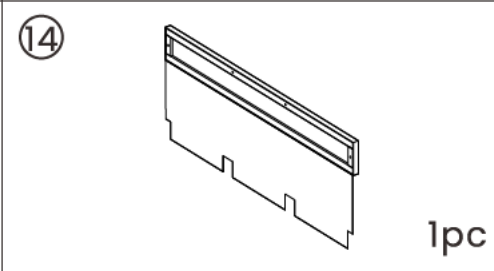
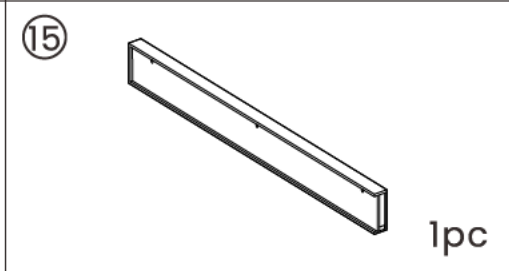
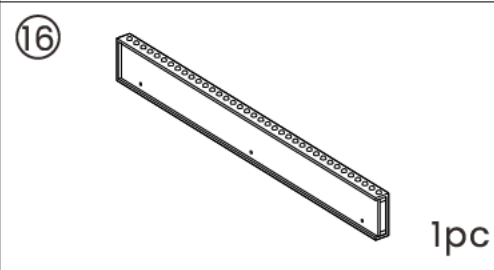
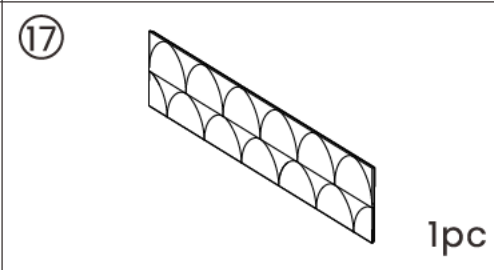
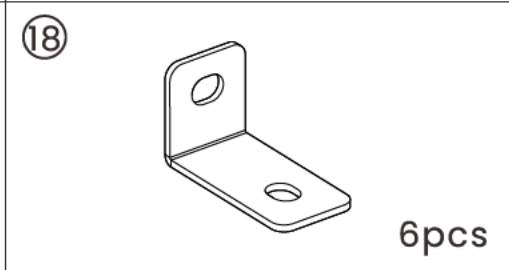
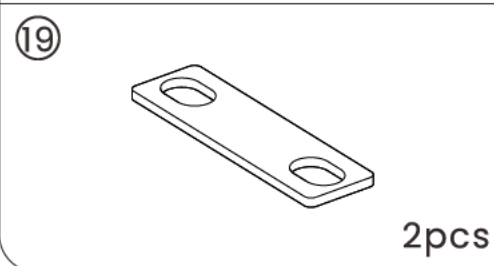
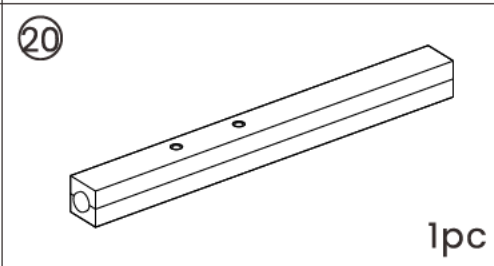
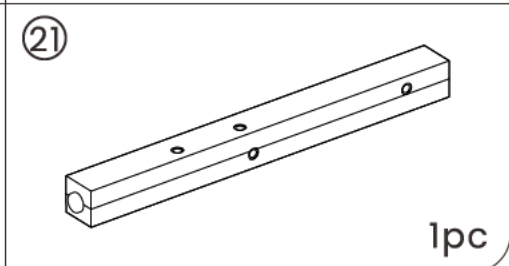
Should we send any replacements?

If there are any flaws in the parts, we can send replacements!

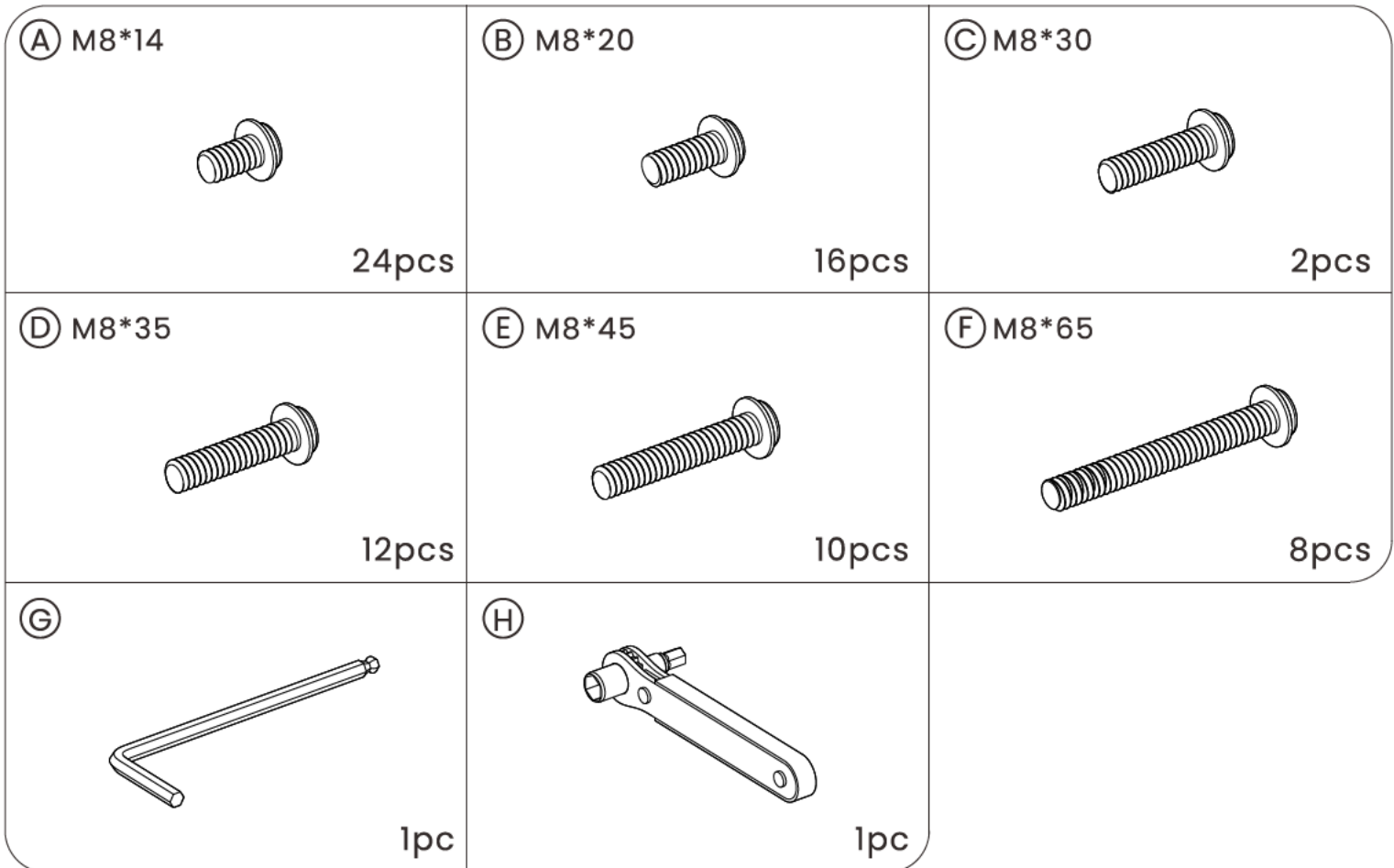
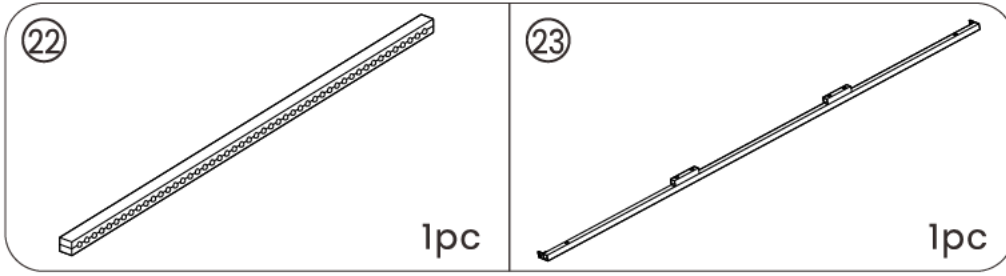


PARTS LIST

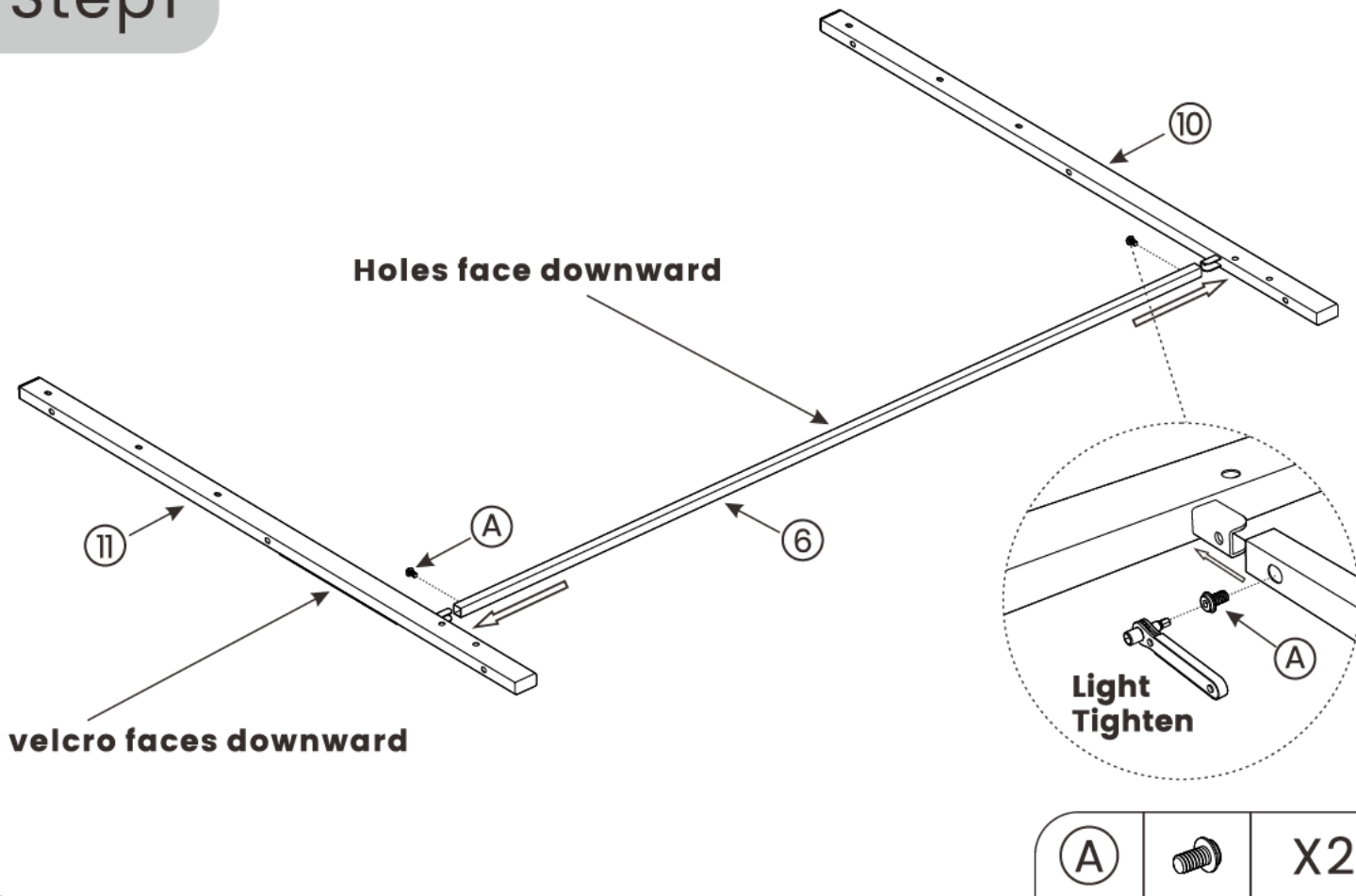
For defective or missing parts, contact us at OHOHOLIVE-Service@outlook.com

 <p>①</p> <p>2pcs</p>	 <p>②</p> <p>2pcs</p>	 <p>③</p> <p>2pcs</p>
 <p>④</p> <p>1pc</p>	 <p>⑤</p> <p>2pcs</p>	 <p>⑥</p> <p>1pc</p>
 <p>⑦</p> <p>4pcs</p>	 <p>⑧</p> <p>2pcs</p>	 <p>⑨</p> <p>4pcs</p>
 <p>⑩</p> <p>1pc</p>	 <p>⑪</p> <p>1pc</p>	 <p>⑫</p> <p>1pc</p>
 <p>⑬</p> <p>2pcs</p>	 <p>⑭</p> <p>1pc</p>	 <p>⑮</p> <p>1pc</p>
 <p>⑯</p> <p>1pc</p>	 <p>⑰</p> <p>1pc</p>	 <p>⑱</p> <p>6pcs</p>
 <p>⑲</p> <p>2pcs</p>	 <p>⑳</p> <p>1pc</p>	 <p>㉑</p> <p>1pc</p>

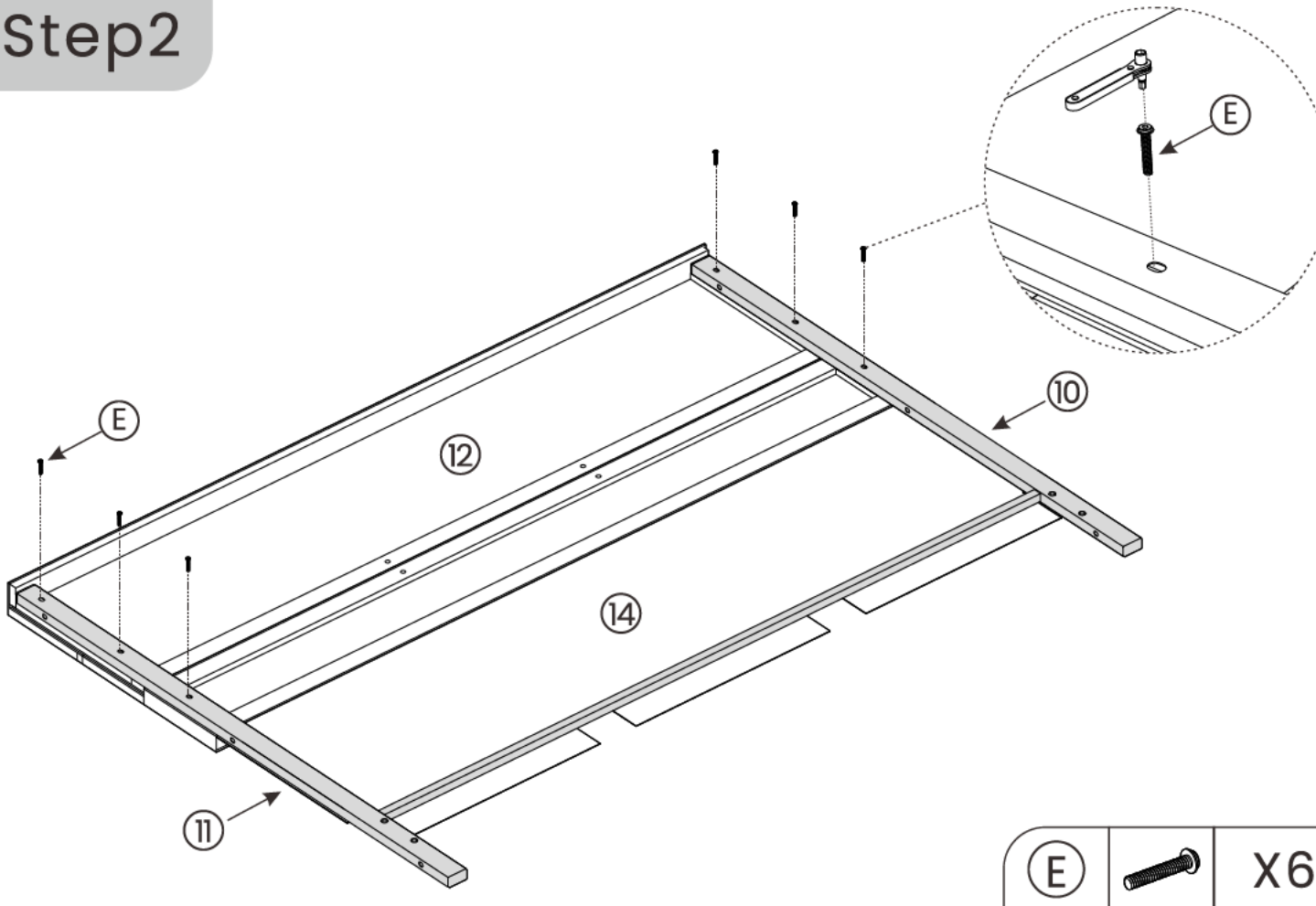
PARTS LIST



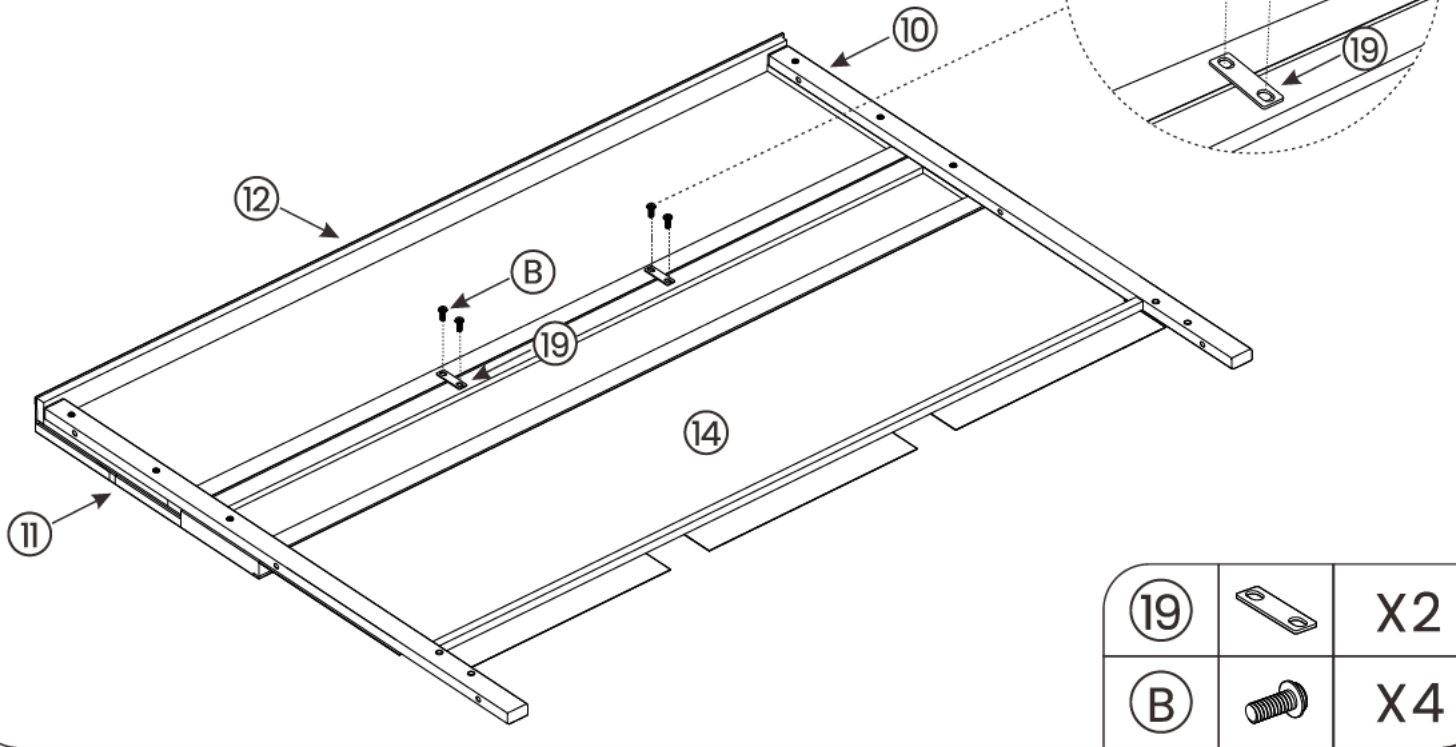
Step1



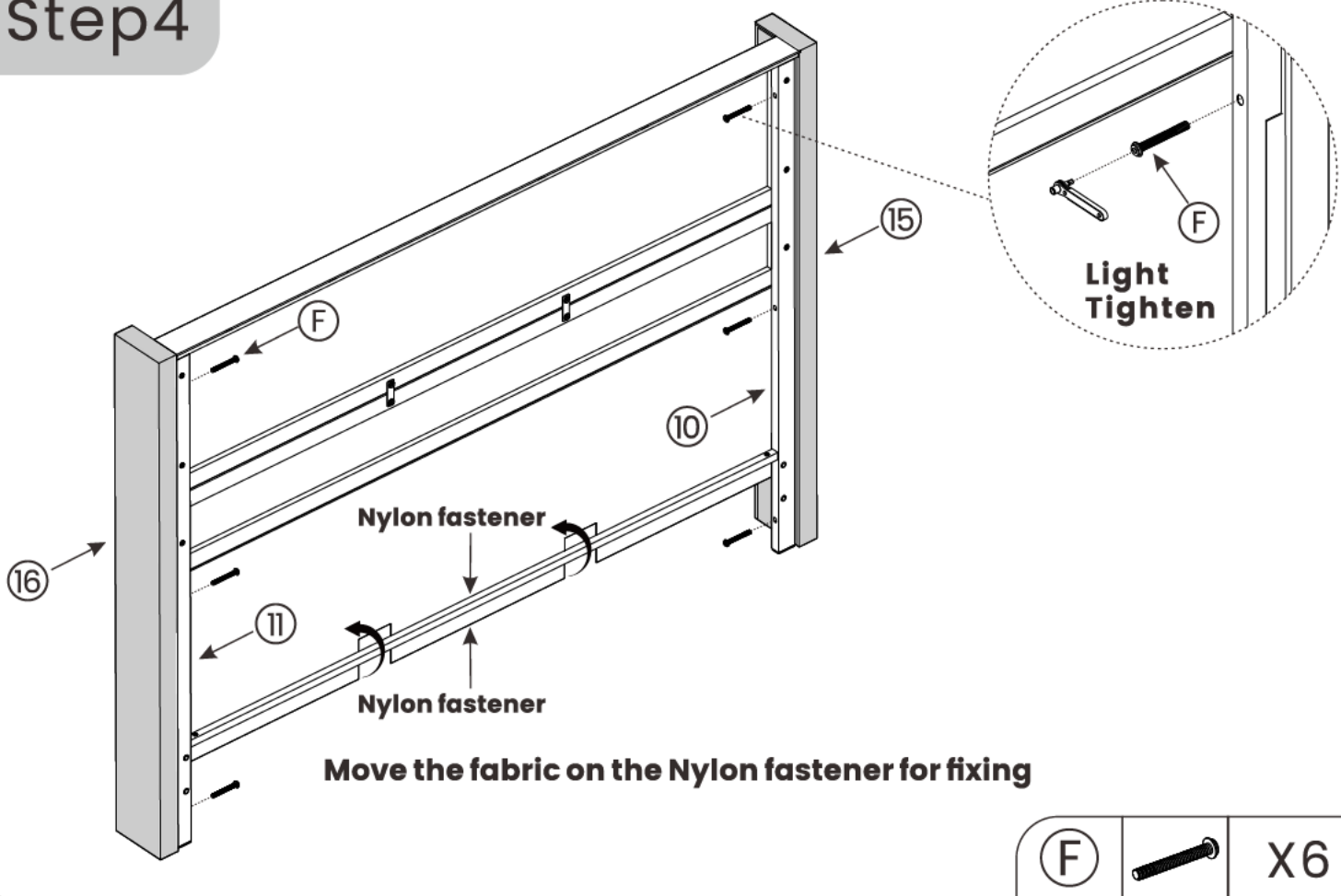
Step2



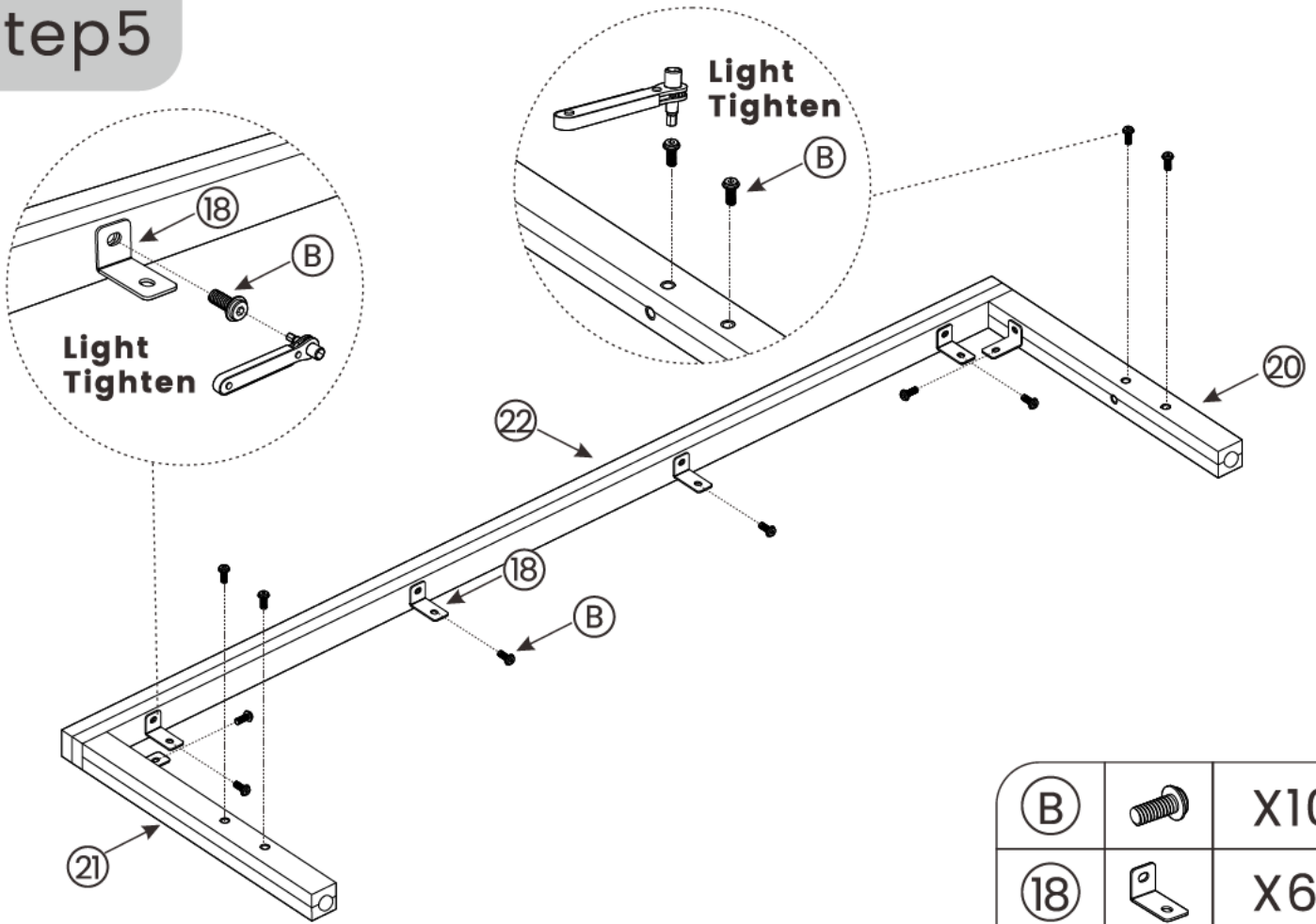
Step 3



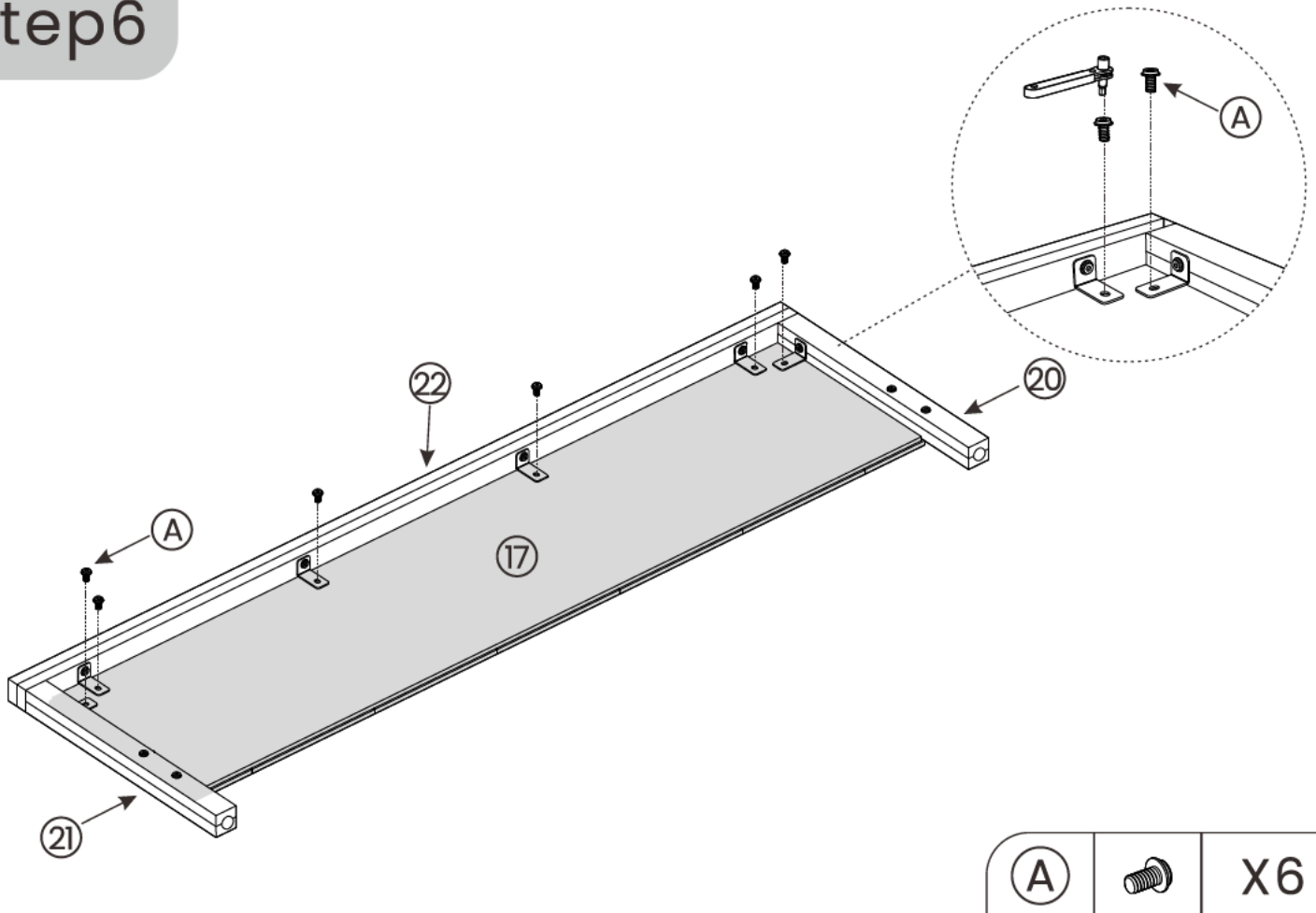
Step 4



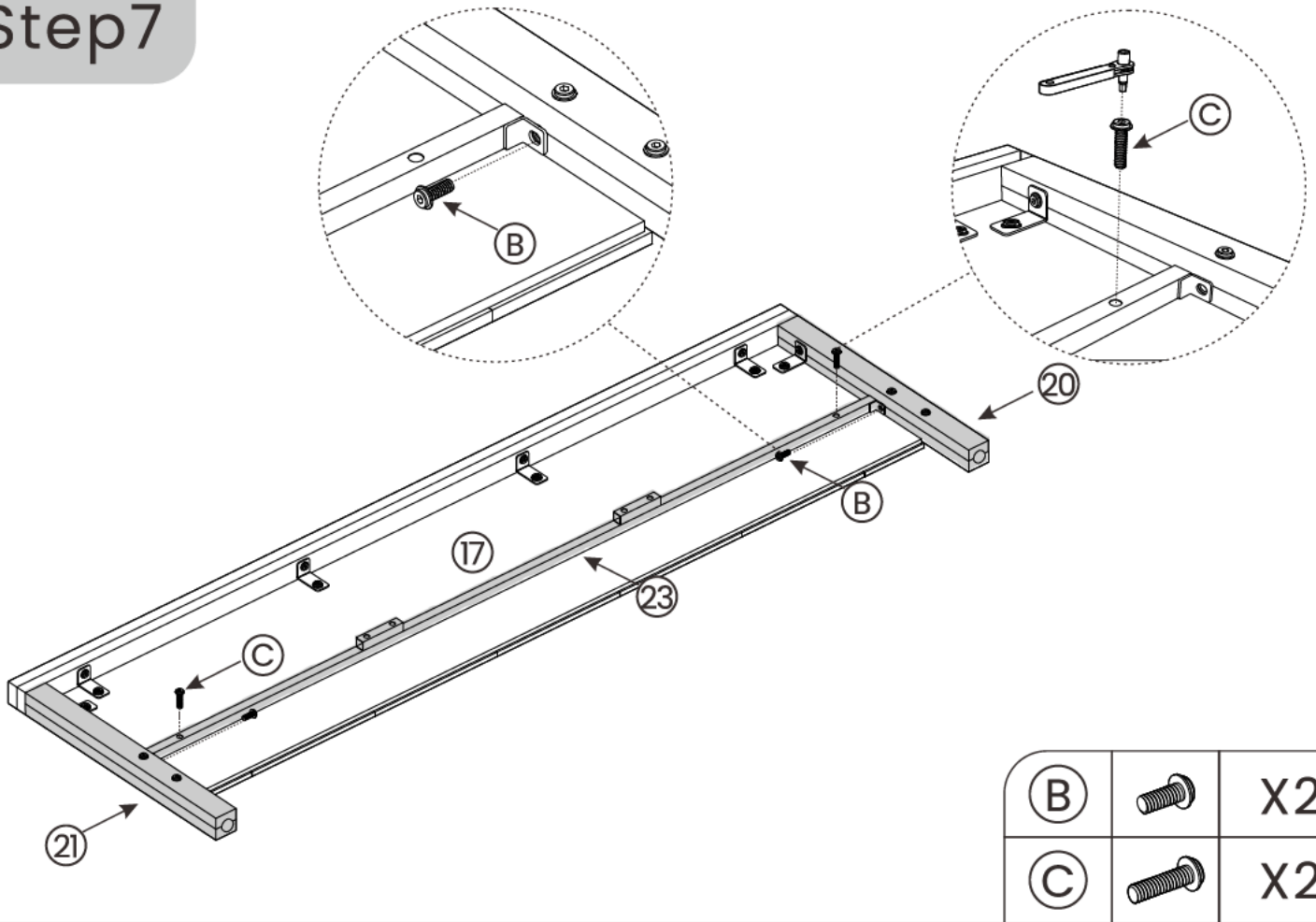
Step 5





Step 6

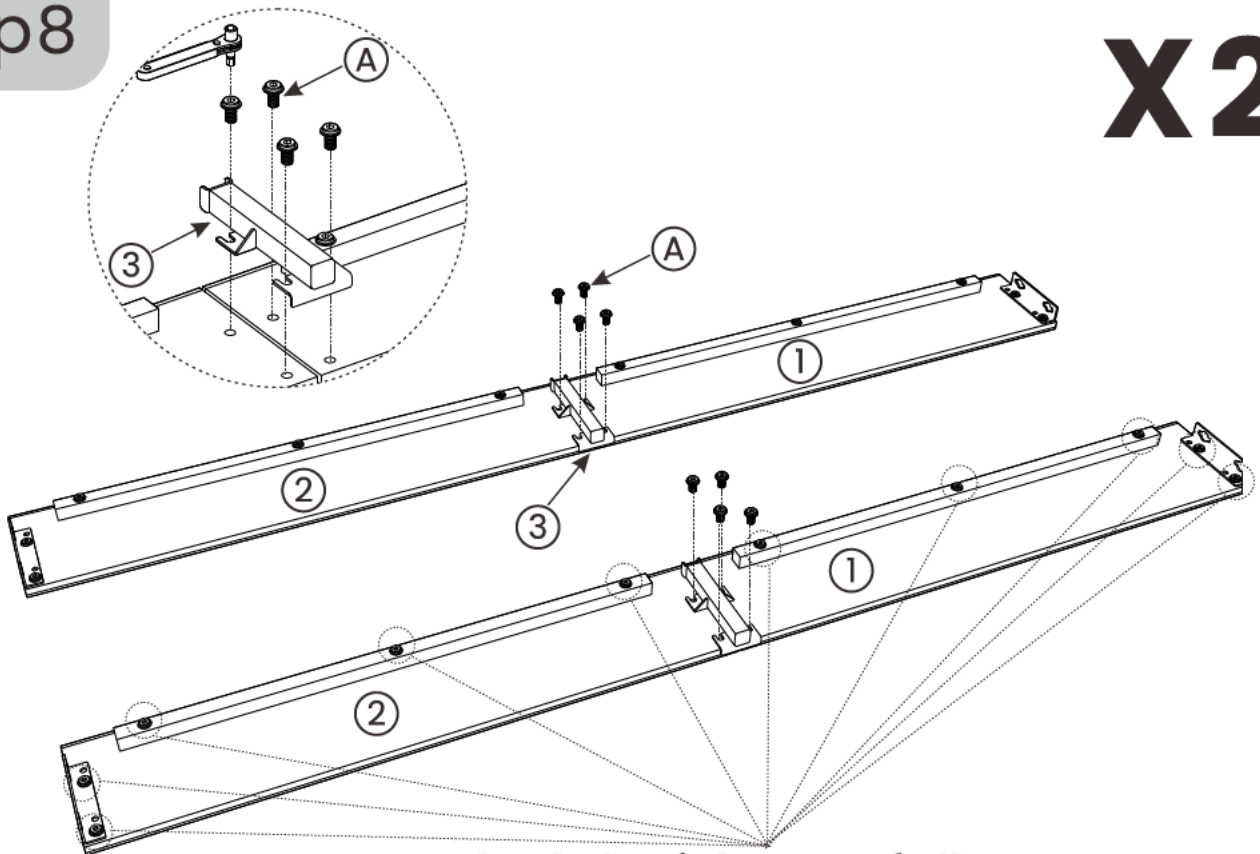


Step 7




(B)		X2
(C)		X2

Step 8

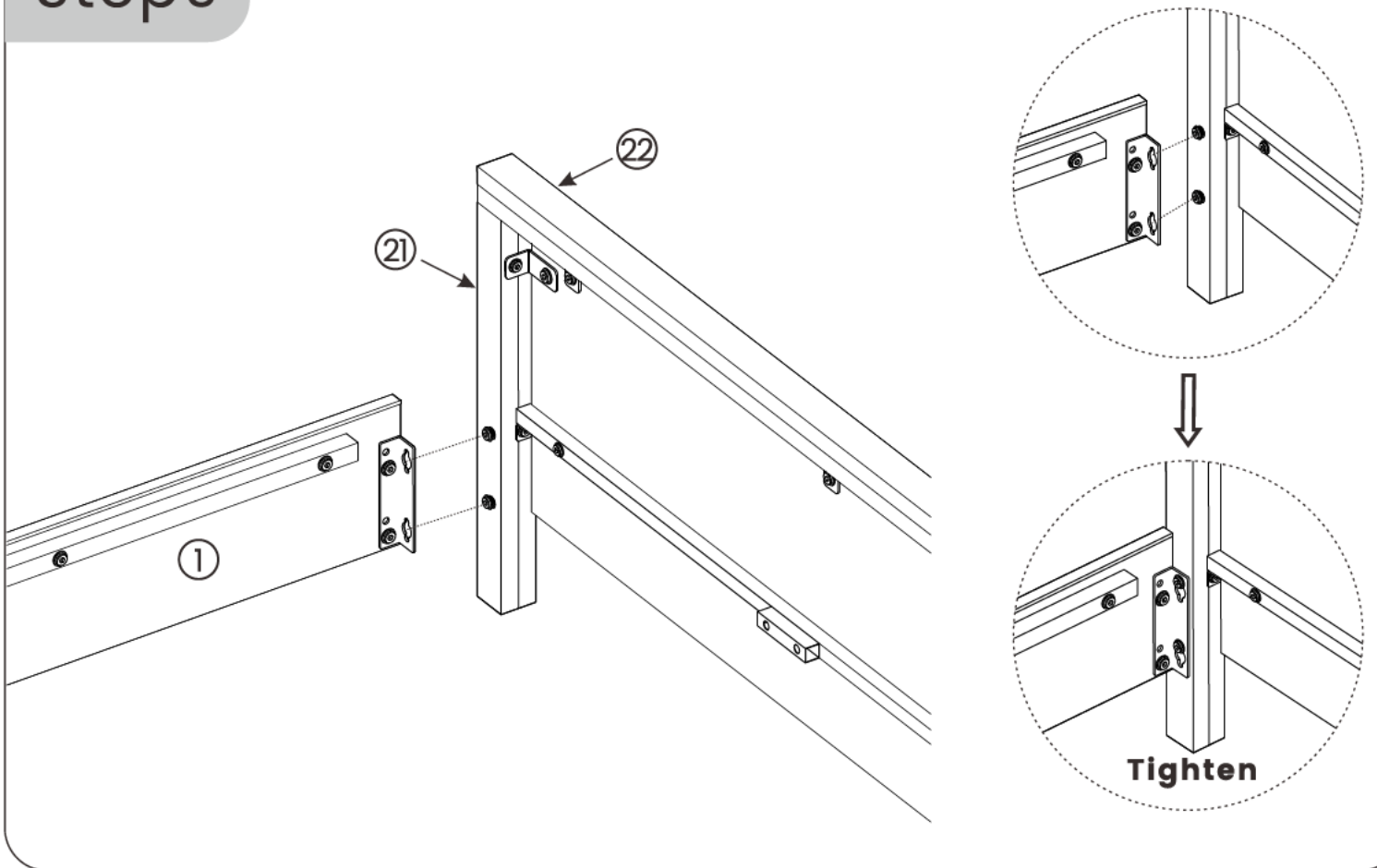


X2

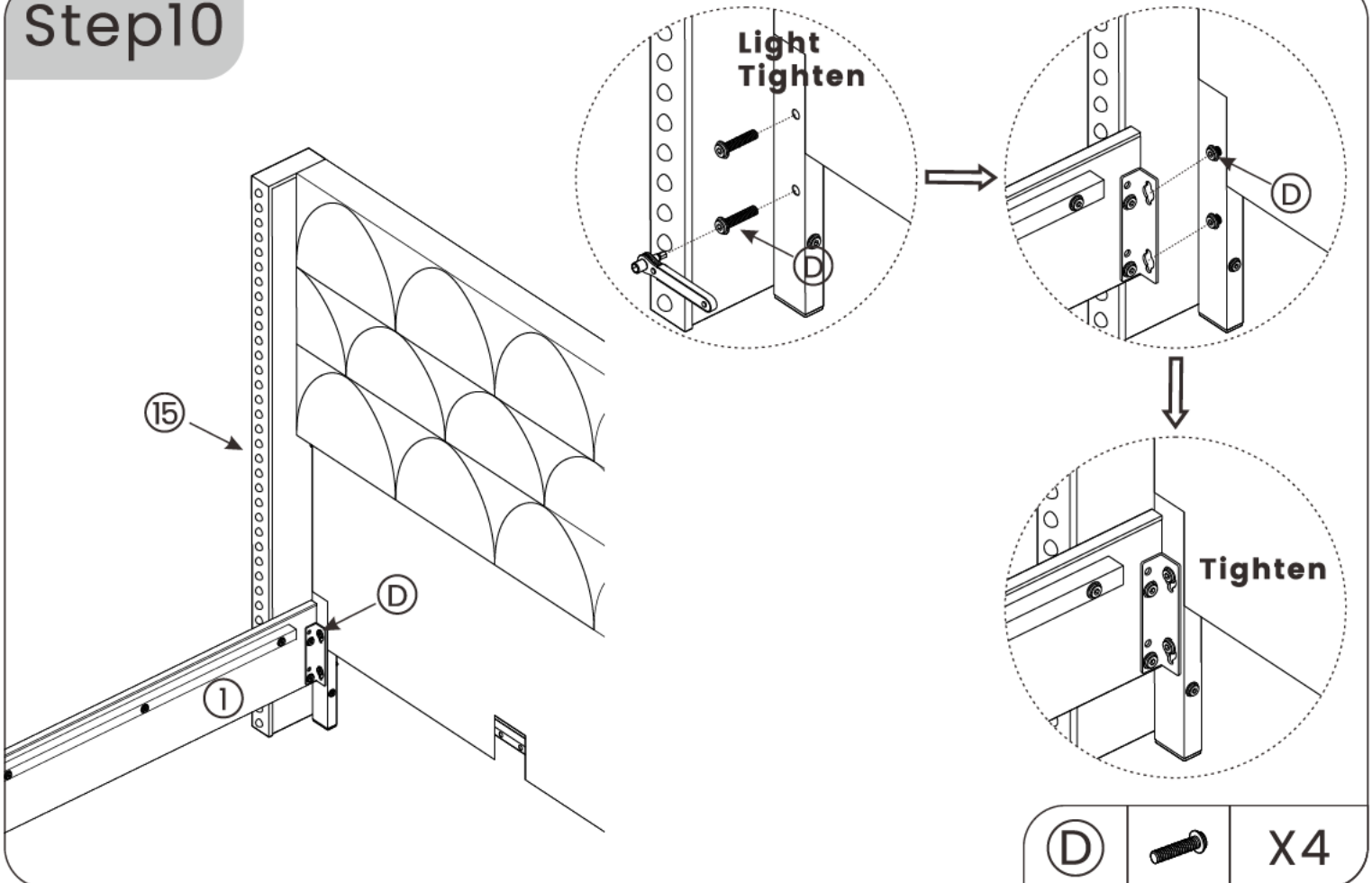
Check the tightness of all screws

(A)		X8
-----	---------------------------------------------------------------------------------------	----

Step 9

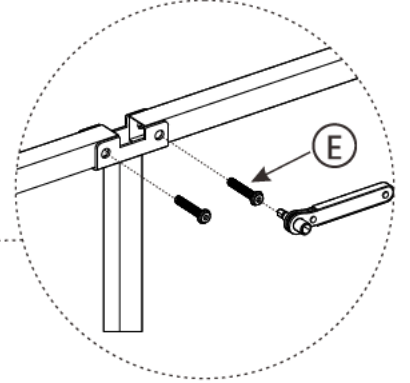
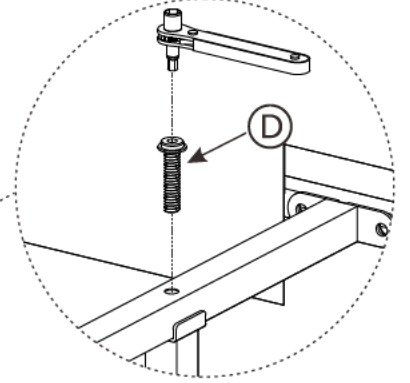
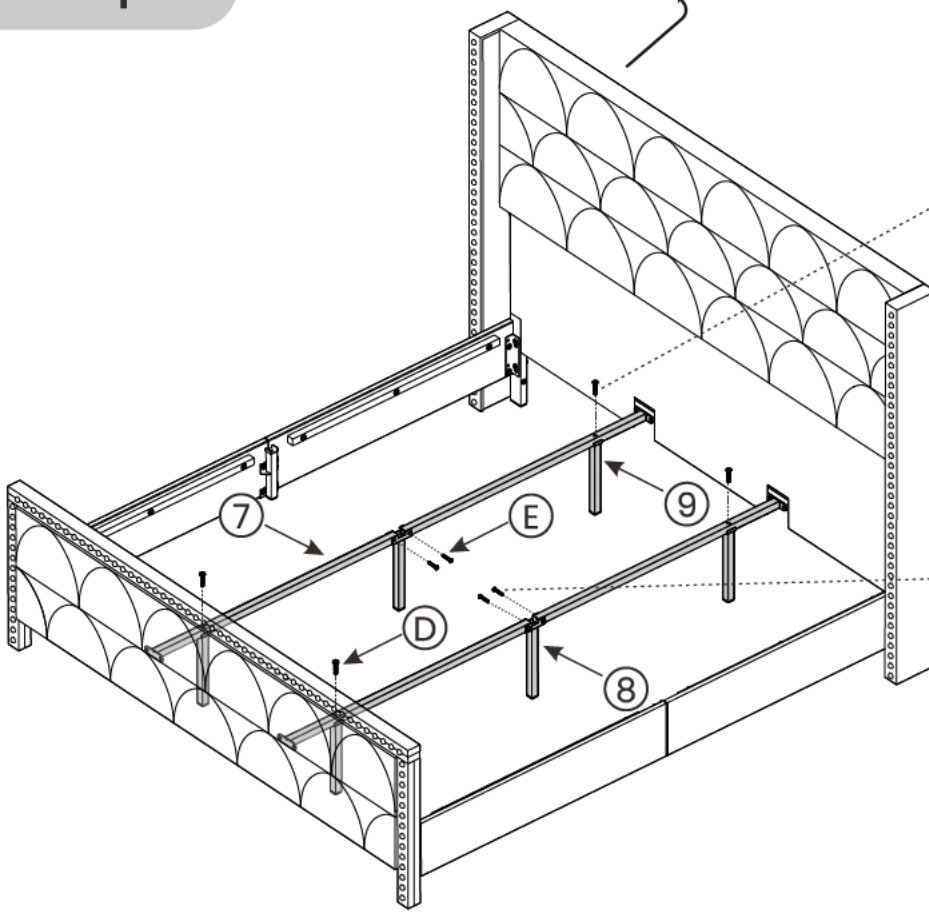




Step 10



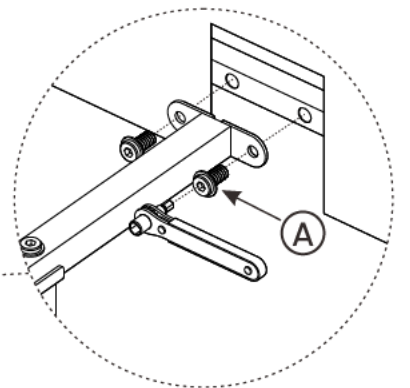
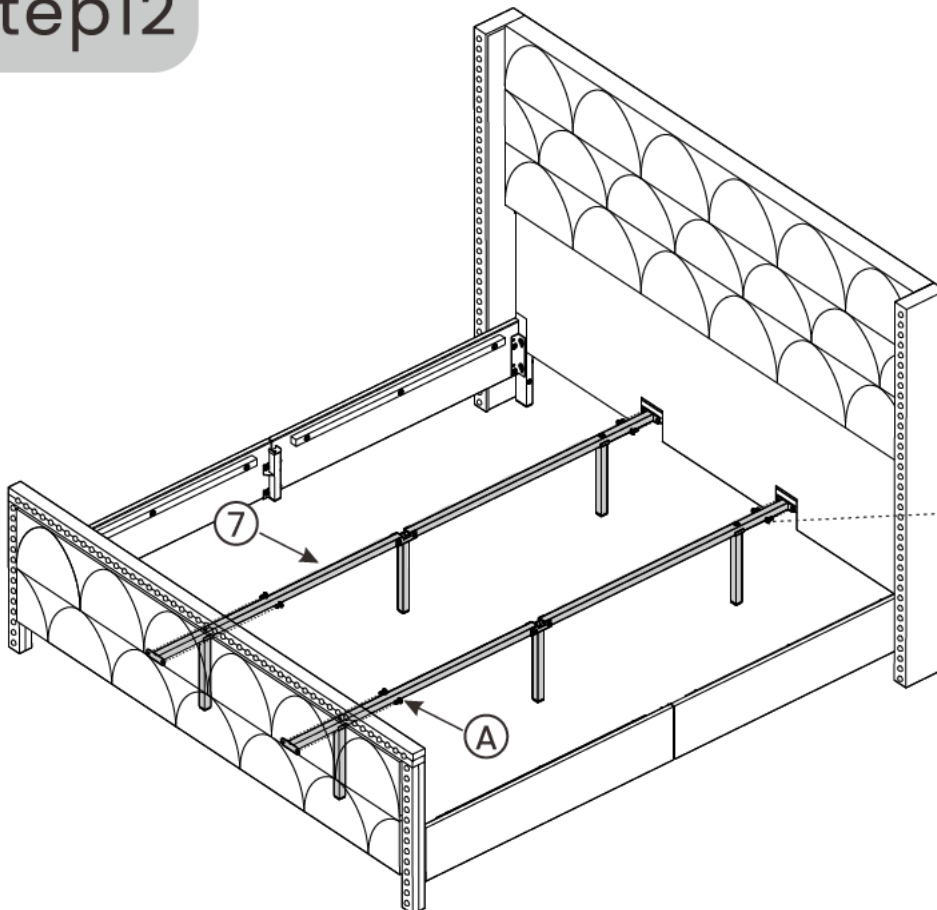
Step11


Tighten all the F-number screws at the back.



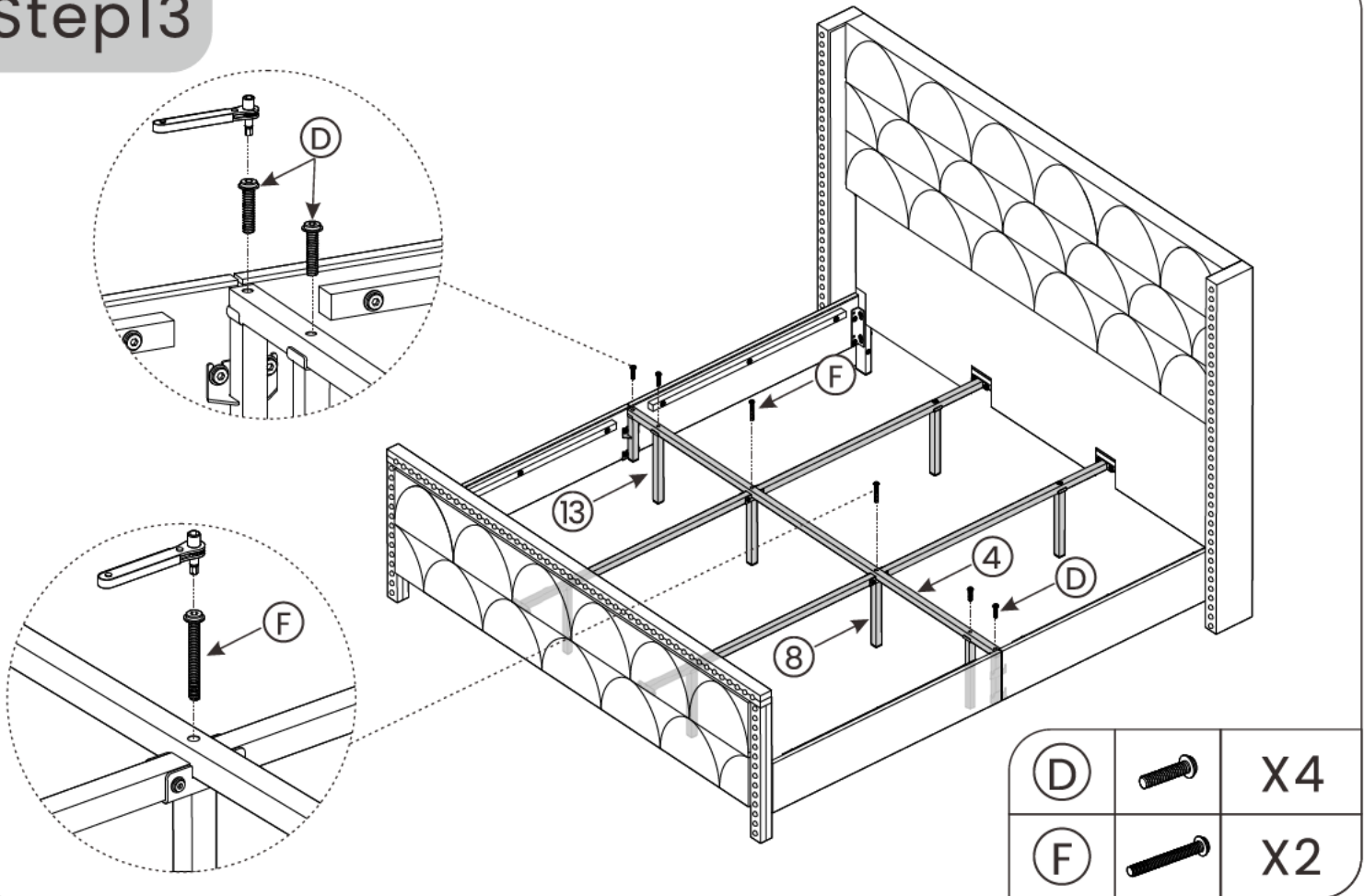
D		X4
E		X4

Step12



A		X8
---	---------------------------------------------------------------------------------------	----

Step13



Step14

