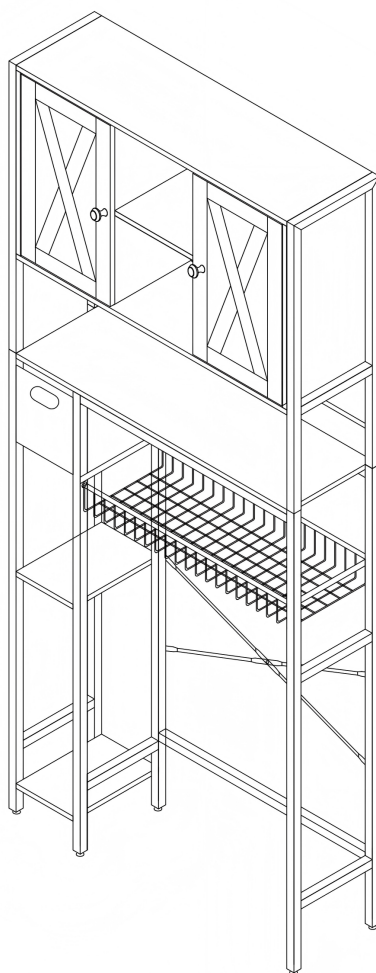
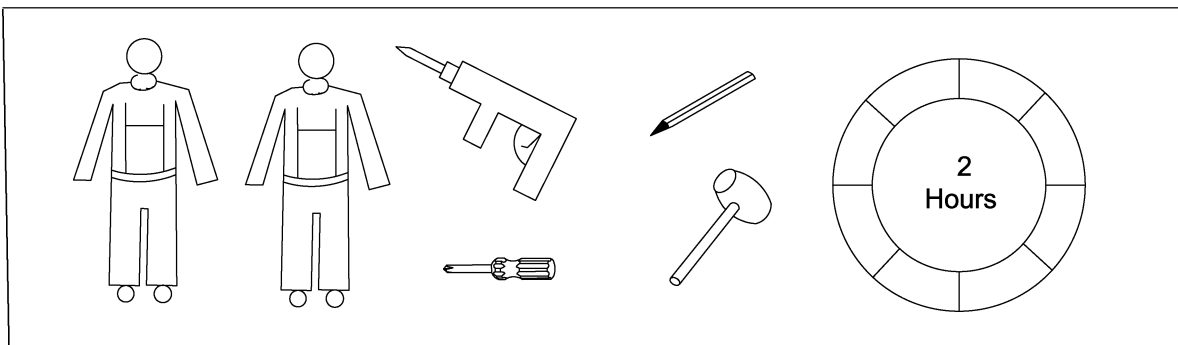
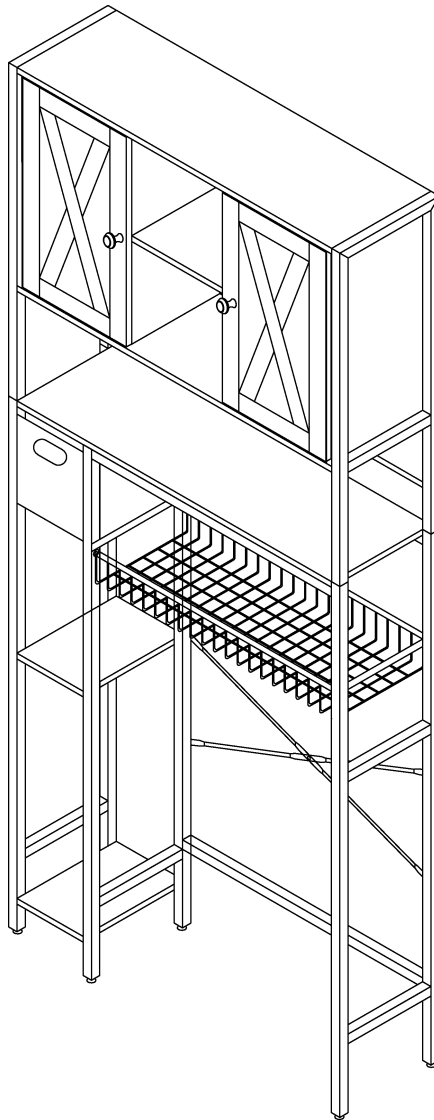
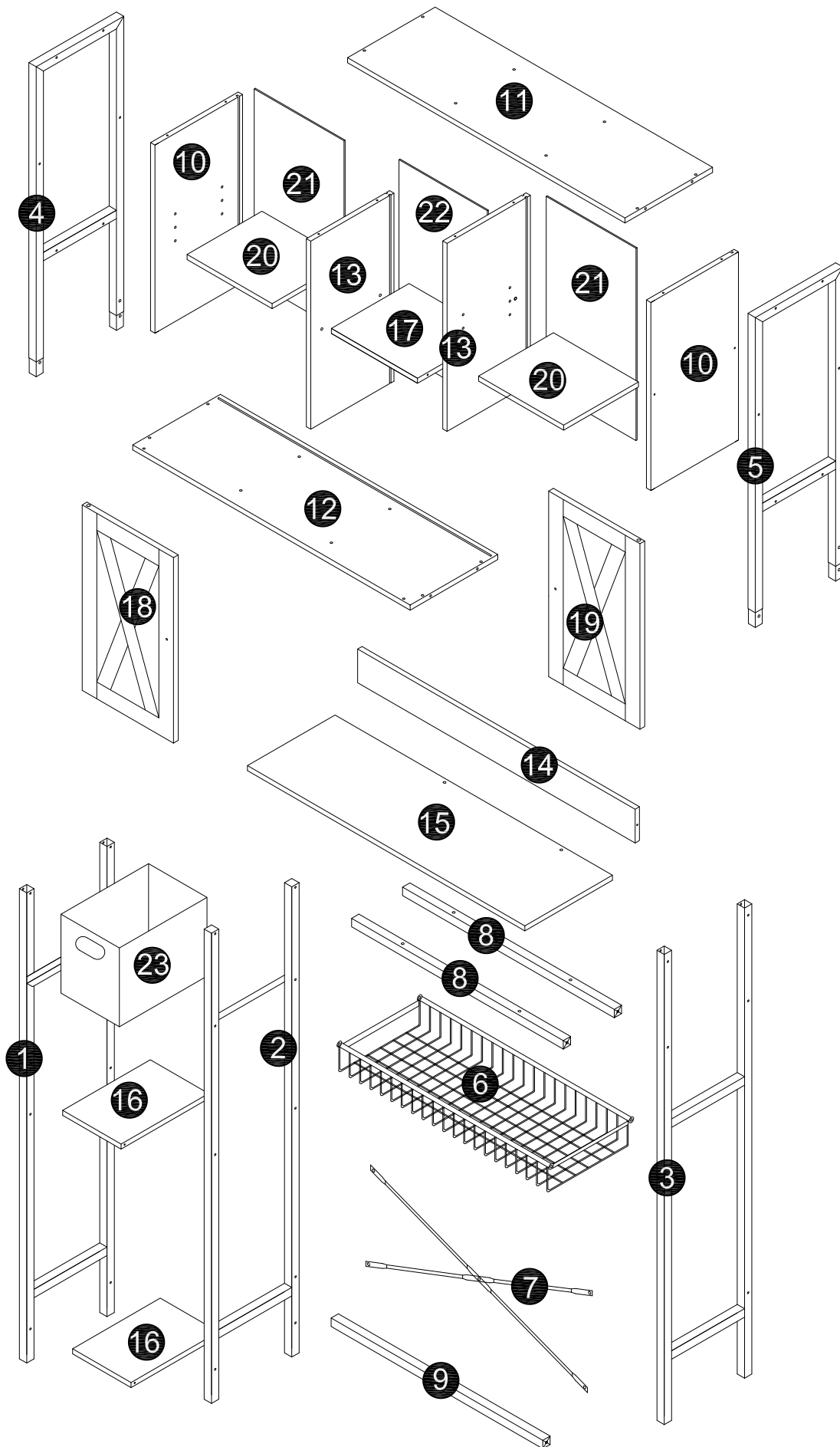


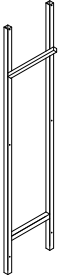
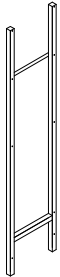
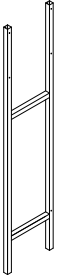
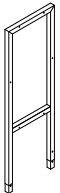
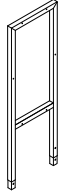
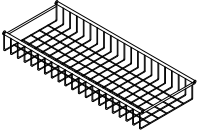

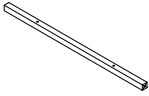
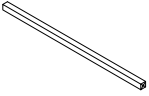

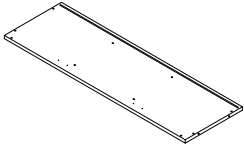
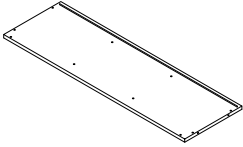
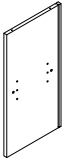
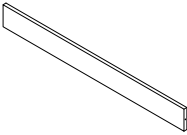
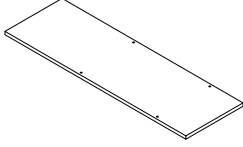
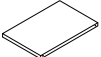
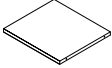
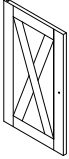
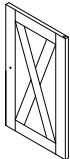
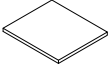

X-shaped Door Toilet Cabinet


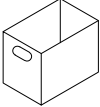
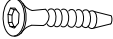
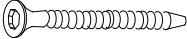
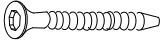



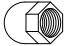

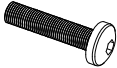
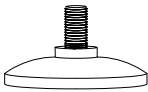






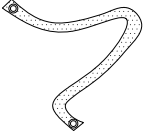



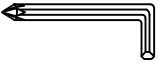


ASSEMBLY INSTRUCTIONS

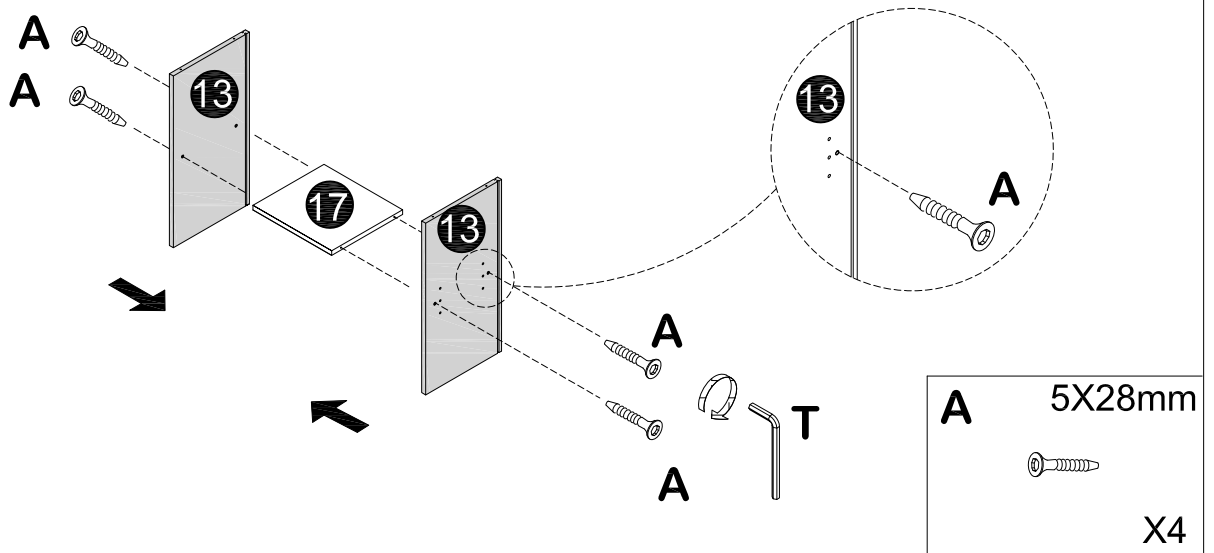




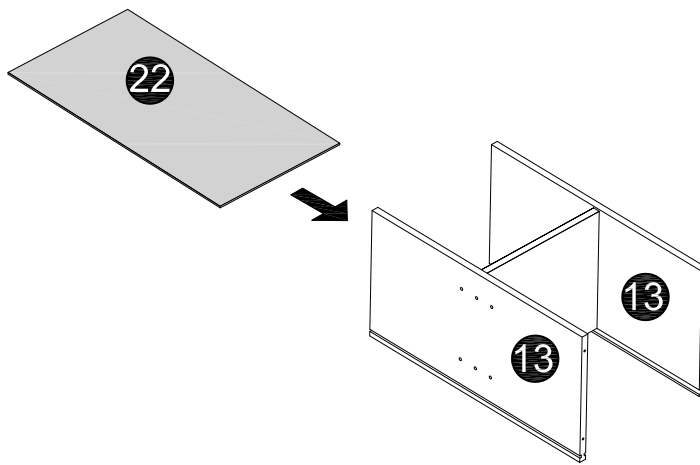
1  x1	2  x1	3  x1
4  x1	5  x1	6  x1
7  x2	8  x2	9  x1
10  x2	11  x1	12  x1
13  x2	14  x1	15  x1
16  x2	17  x1	18  x1
19  x1	20  x2	21  x2

22  x1	23  x1	
A  5X28mm X26(+2)	B  5X50mm X2	C  5X40mm X20(+2)
D  3X12mm X4(+1)	E  3X14mm X12(+1)	F  3.5X14mm X4(+1)
G  M6 X1	H  6X12mm X5	I  6X35mm X10(+1)
J  M6 X6	K  X2	L  X8
M  X4	N  X2	O  4X20mm X2
P  X12(+1)	Q  X2	R  3.5X35mm X2
S  Ø6 X2	T  #3 X1	U  #4 X1

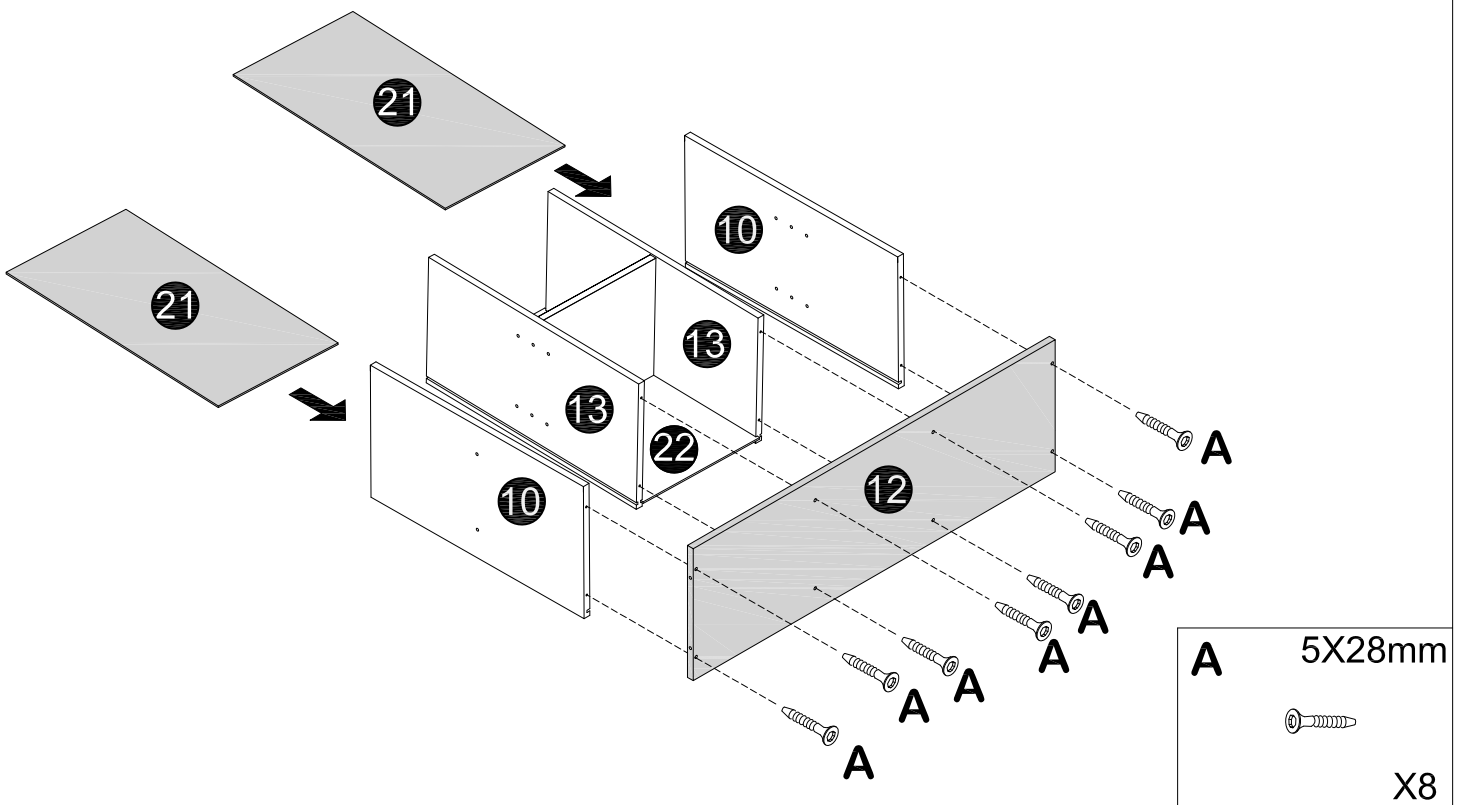
STEP 1



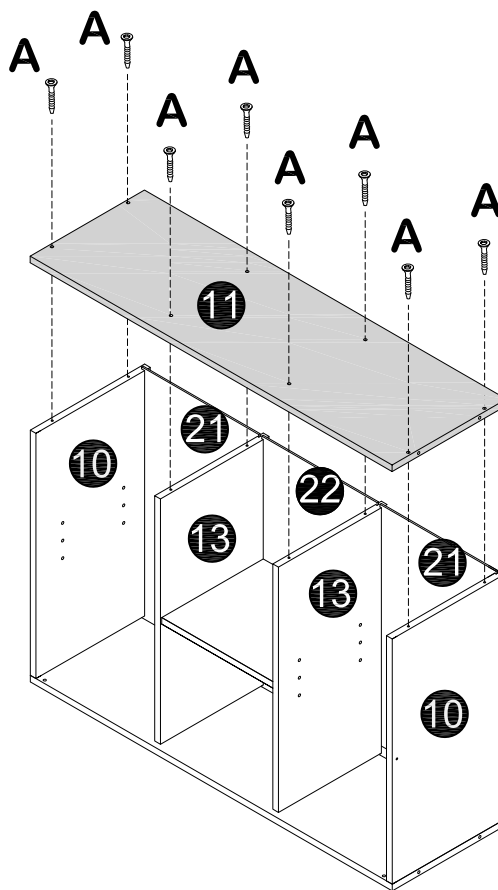
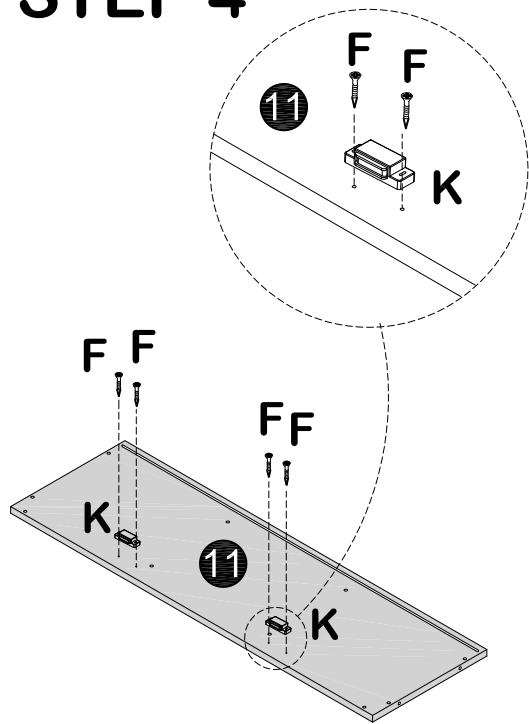
STEP 2

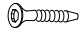




STEP 3

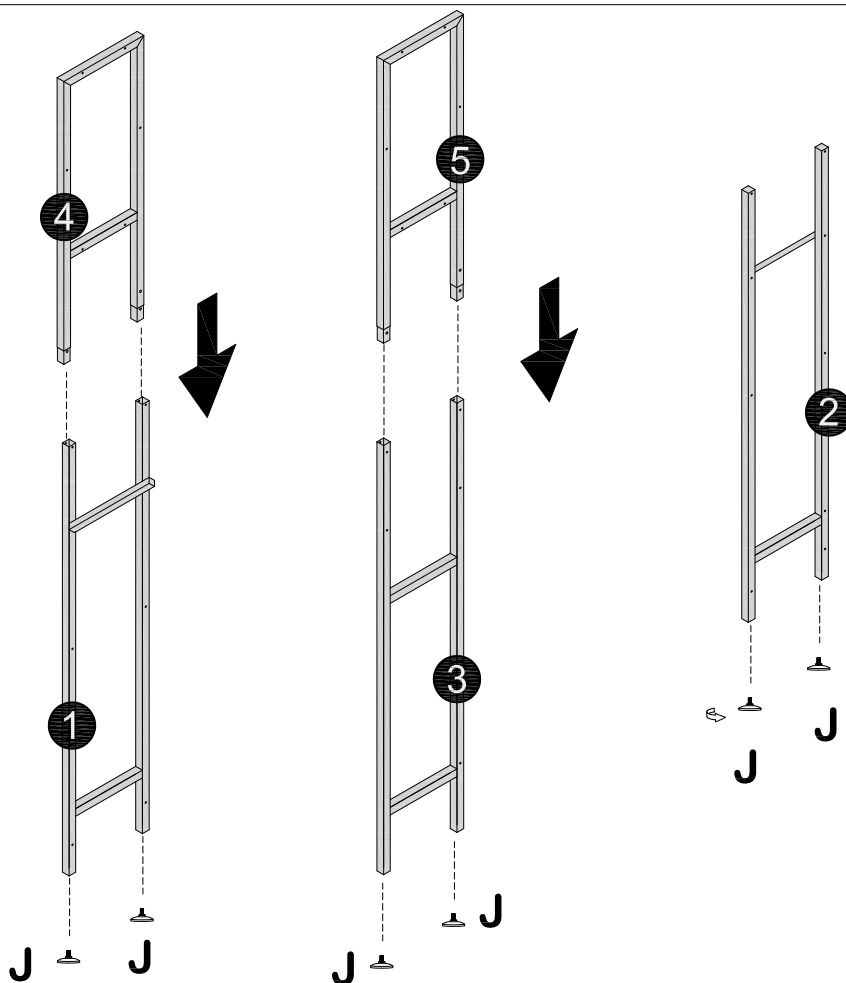



STEP 4



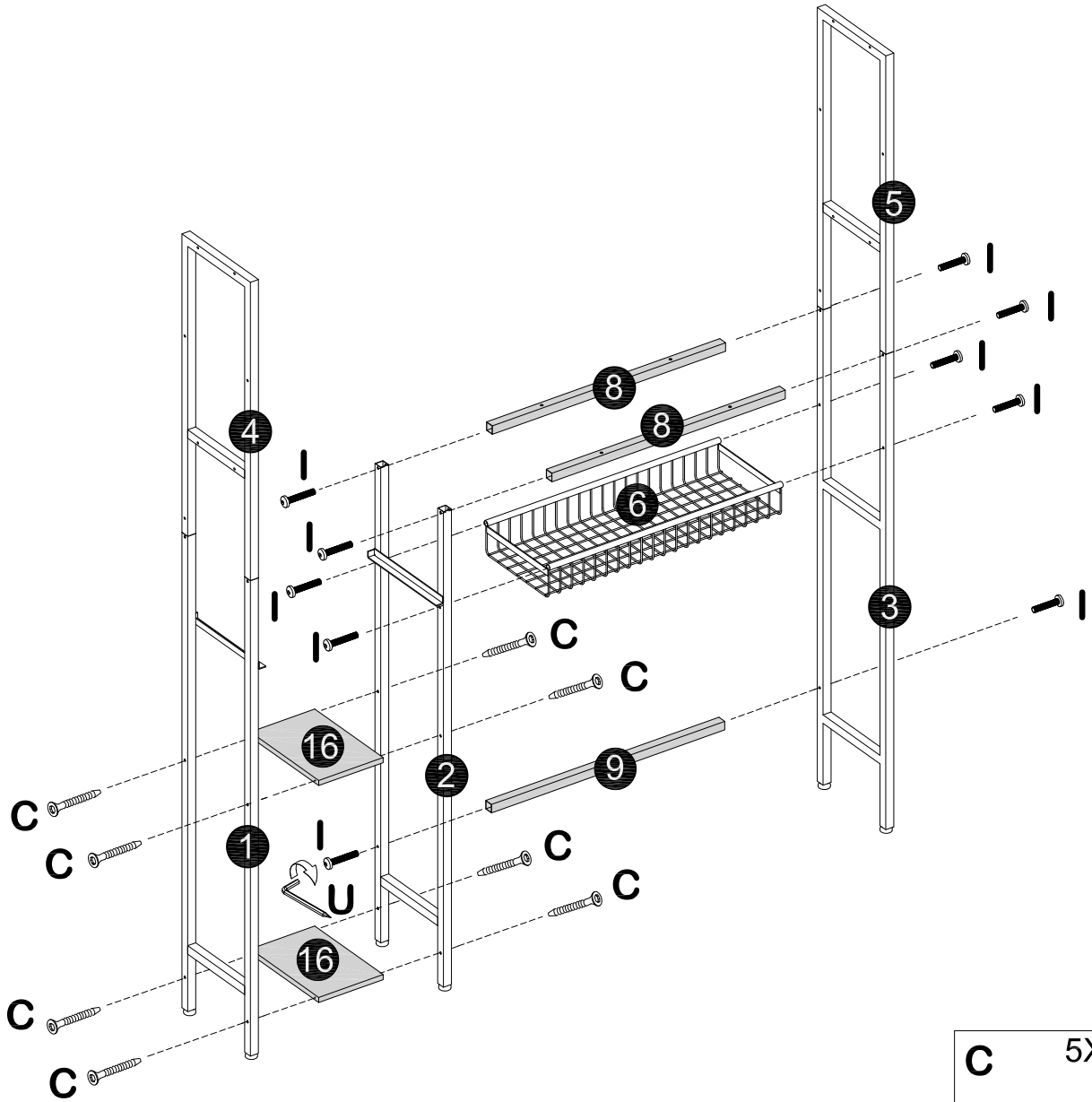
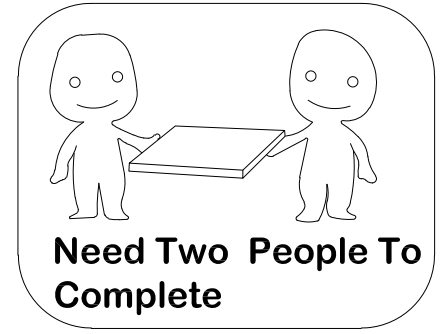
A	5X28mm
	X8
F	3.5X14mm
	X4
K	
	X2

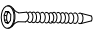

STEP 5



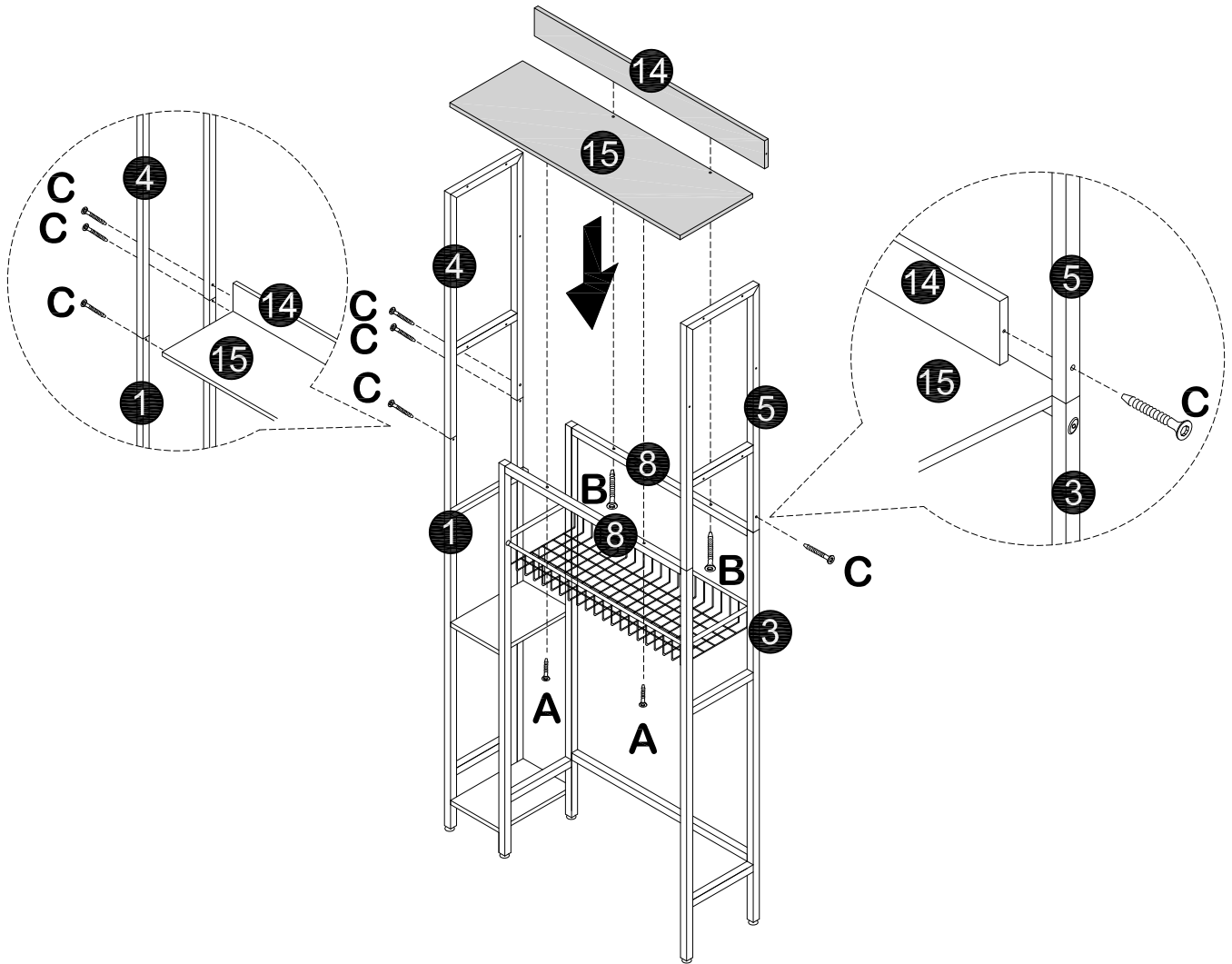
J	M6
	X6

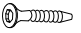
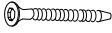
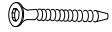
STEP 6



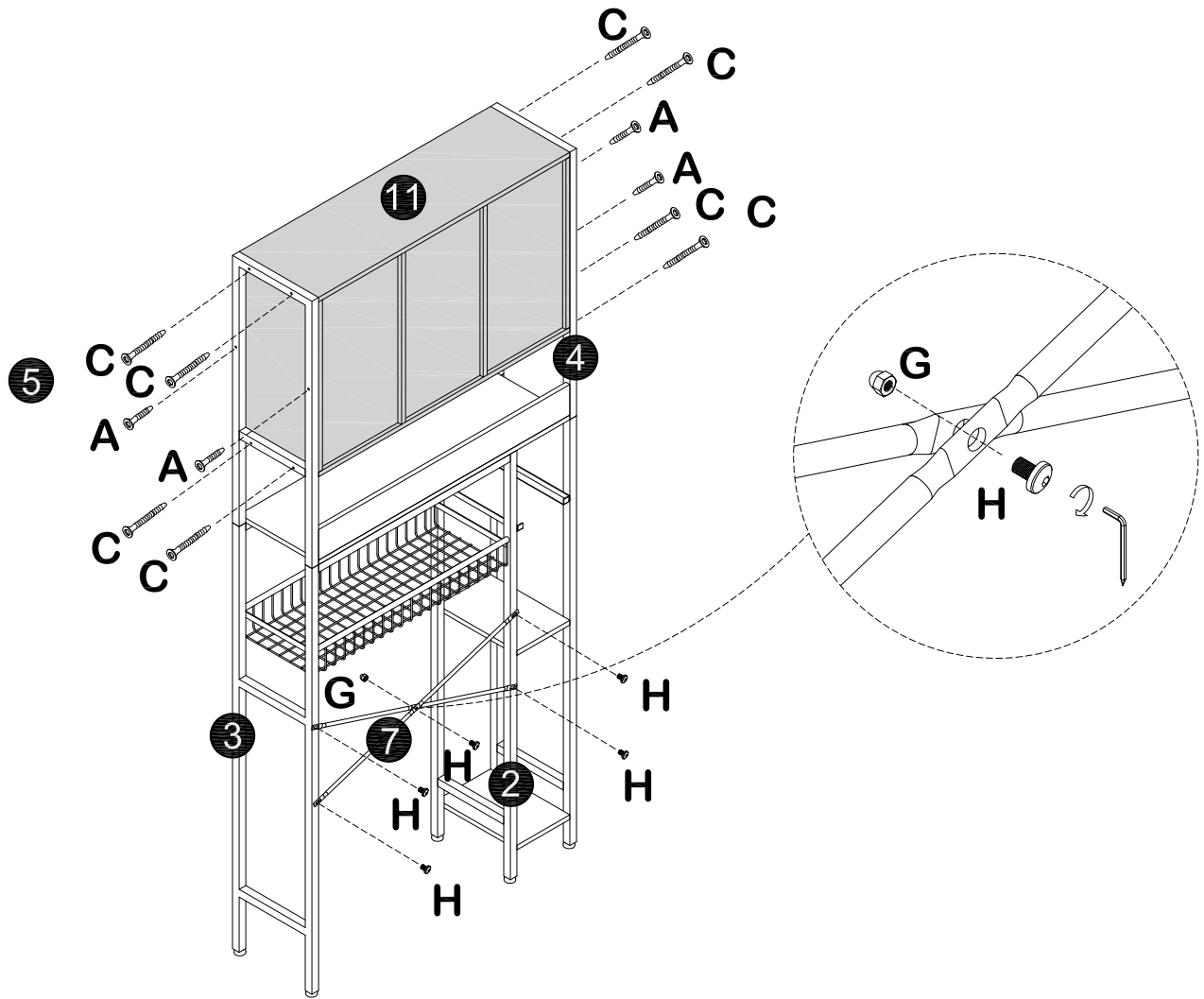
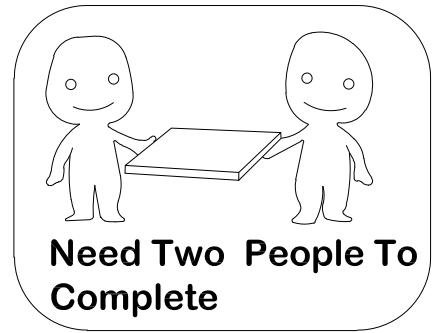
C	5X40mm
	X8
I	6X35mm
	X10

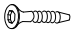

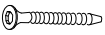

STEP 7



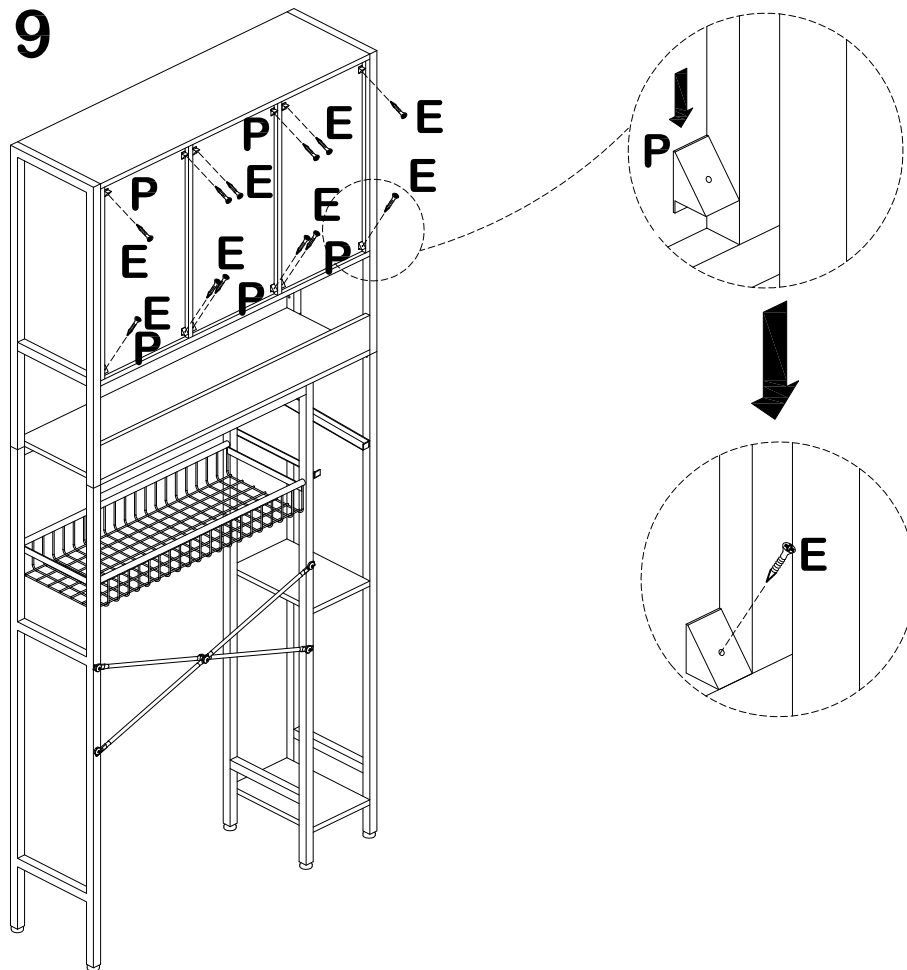
A	5X28mm
	
	X2
B	5X50mm
	
	X2
C	5X40mm
	
	X4



STEP 8



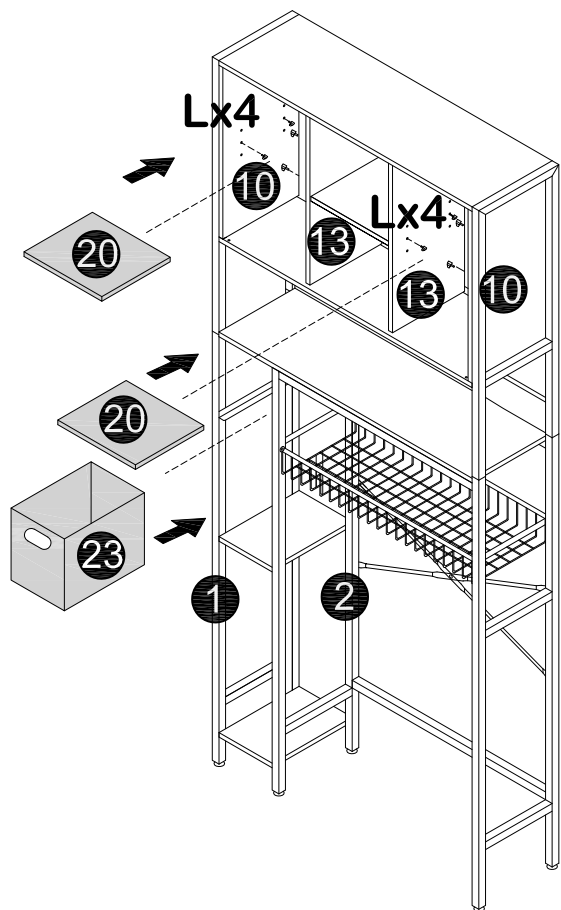
A	5X28mm  X4	H	6X12mm  X5
C	5X40mm  X8	G	M6  X1


STEP 9



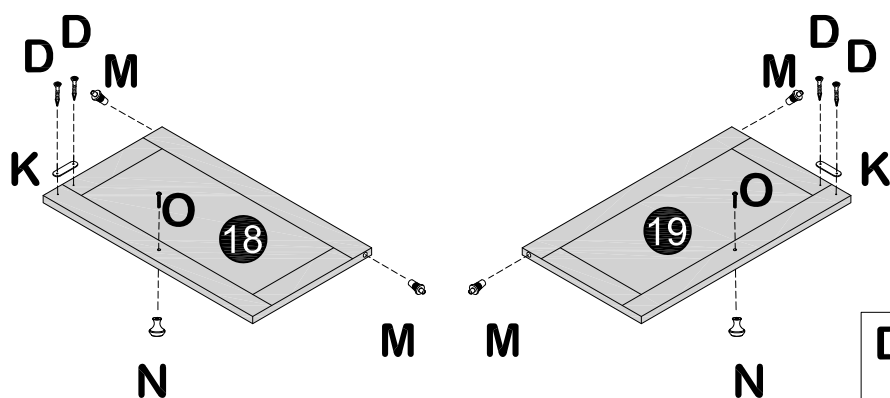
E	3X14mm  X12
P	 X12






STEP 10



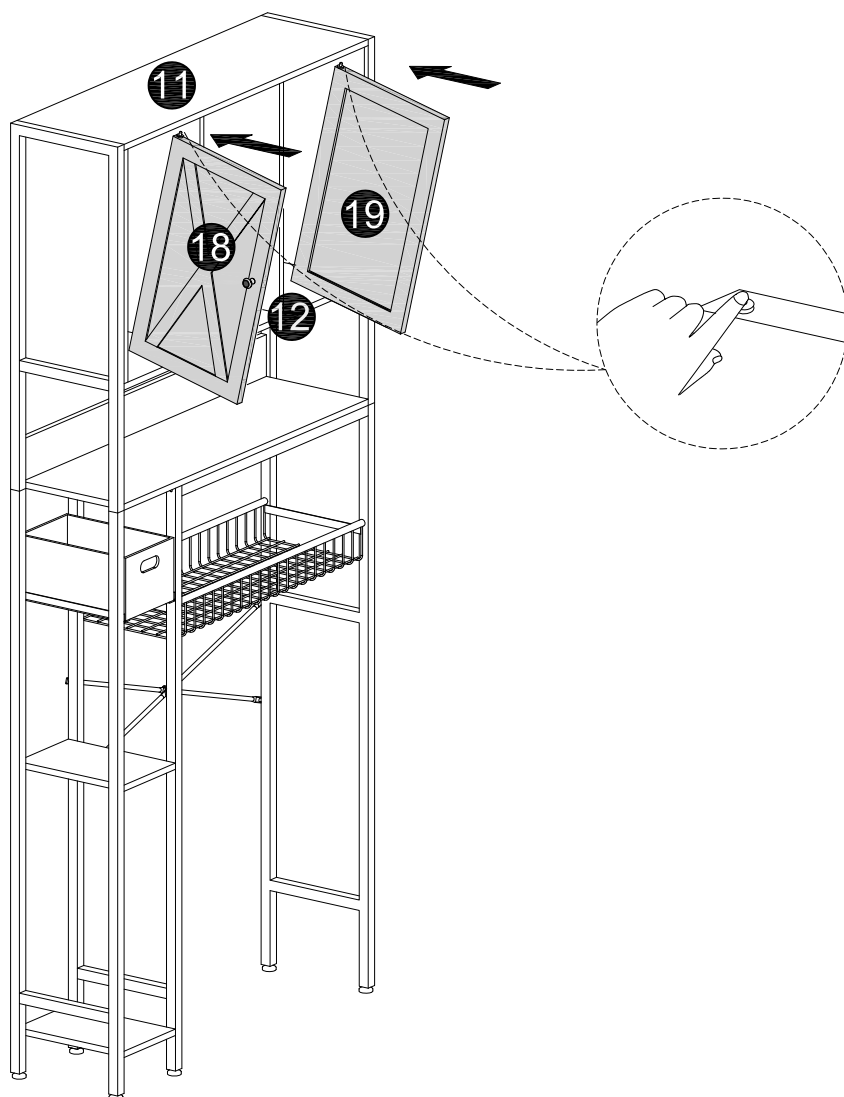
L	 X8
----------	---

STEP 11



		M		X4
D	3X12mm	N		M6
				X2
K		O	4X20mm	
				X2
				X2

STEP 12



STEP 13

