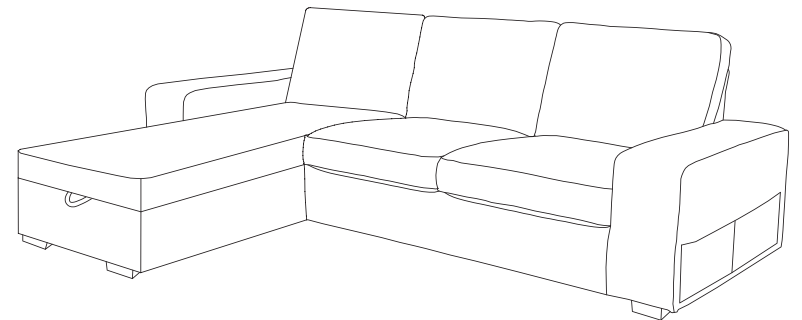
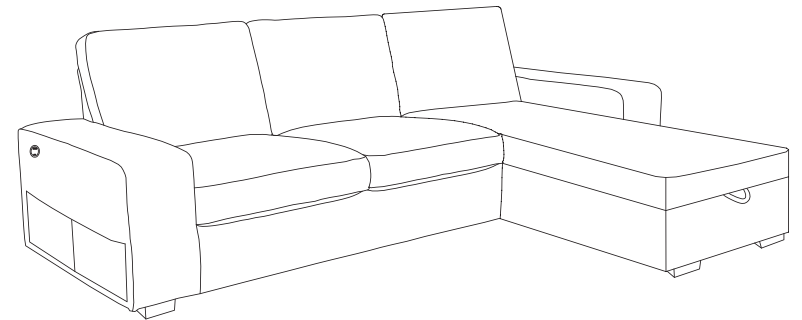


CHENIER FABRIC COMBINATION SOFA 92002

USAGE GUIDELINES

(To use this product, please read this User Guide carefully)



Dear friends.

Thank you for using our products, in order to facilitate your correct operation of this product, please read this user guide carefully before use, and store it in a fixed place so that you can consult it in the future.

CATALOGS

Basic Product Parameters -----	01
Unpacking List -----	01
Installation instructions -----	03
Function Introduction -----	07
Transport and installation -----	08
Caveat -----	09
Methods of care -----	10

PREAMBLE






BASIC PRODUCT PARAMETERS

BRAND NAME	CHENIER FABRIC COMBINATION SOFA
MODEL NUMBER	92002
SIZES	257CMX164CMX83CM
MAKERS	Zhejiang Eskimo Technology Co., Ltd.
COMPANY ADDRESS	Building 4, No.63 Jiuhan Road, Shangcheng District, Hangzhou City, Zhejiang Province , China.


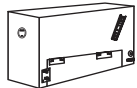
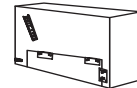

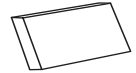
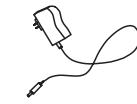
UNPACKING LIST

LOVESEAT







BOX-A

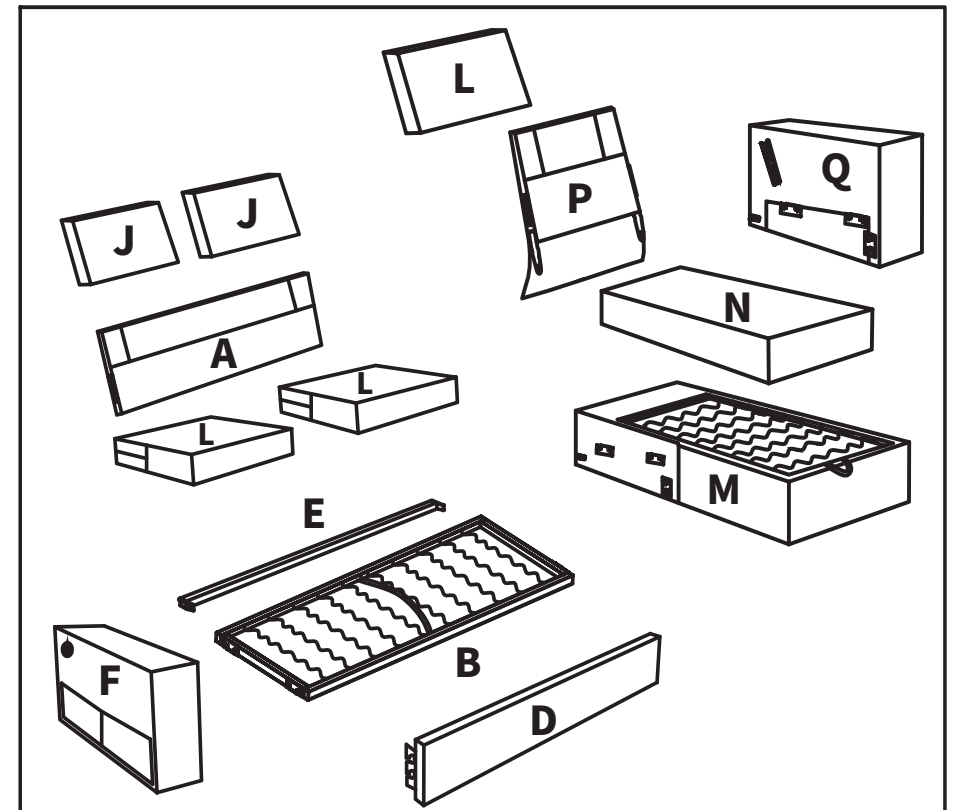
 x1	 x1	 x2	 x1	 x1
Back bracket	Seat frame	Seat cushion	Foreseat plate	Handrail connecting rod

BOX-B

 x1	 x1	 x1	 x4	 x2
Middle leg	Handrail	Handrail	Feet	Back cushion
 x1				
Power cord				

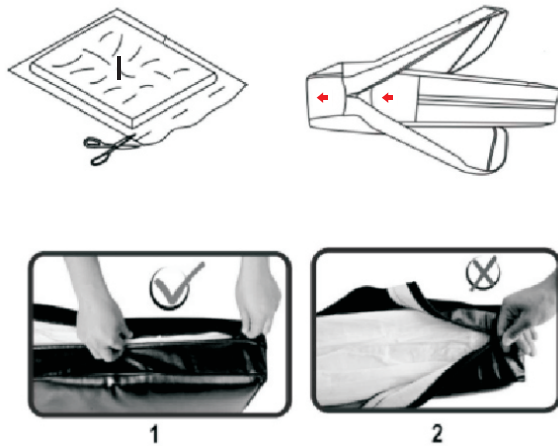
CHAISE

 x1	 x1	 x1	 x2	
Chaise back cushion	Chaise Seat frame	Chaise seat cushion	Feet	Chaise Back bracket
 x1				
Allen Key				

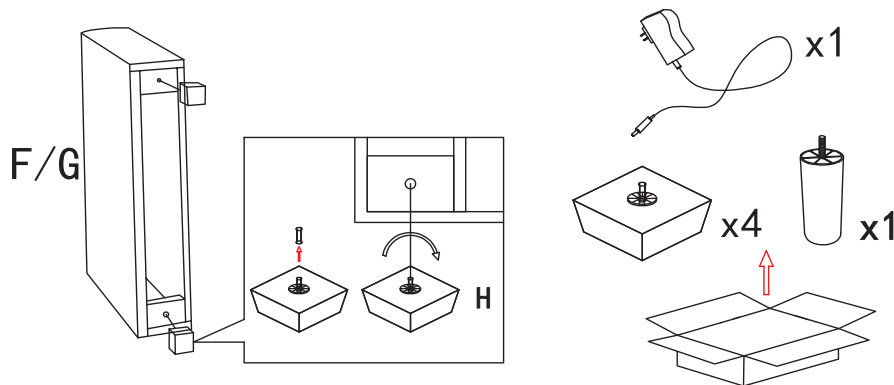


INSTALLATION INSTRUCTIONS

step1

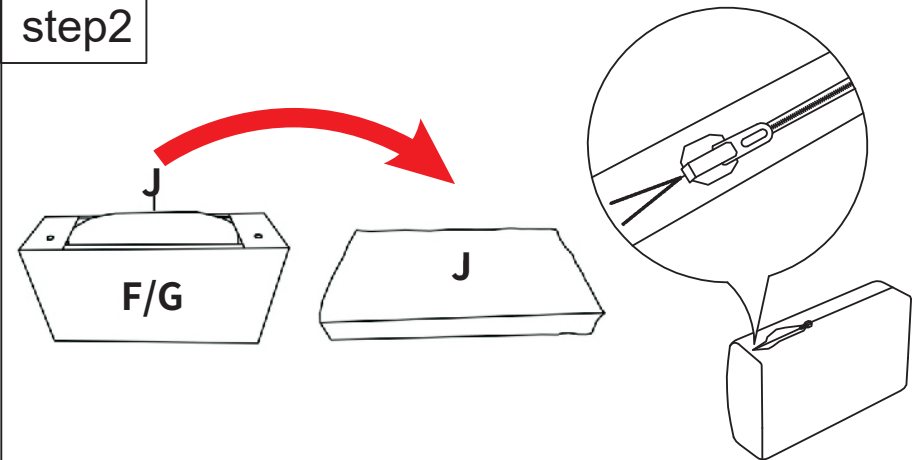


- 1、 Seat and back cushions may take 24-48 hours to fully expand, which will allow wrinkles and indentations caused by packing to fade.
- 2、 To close the zipper, please follow diagram 1. Failure to follow this could result in damage to the zipper.



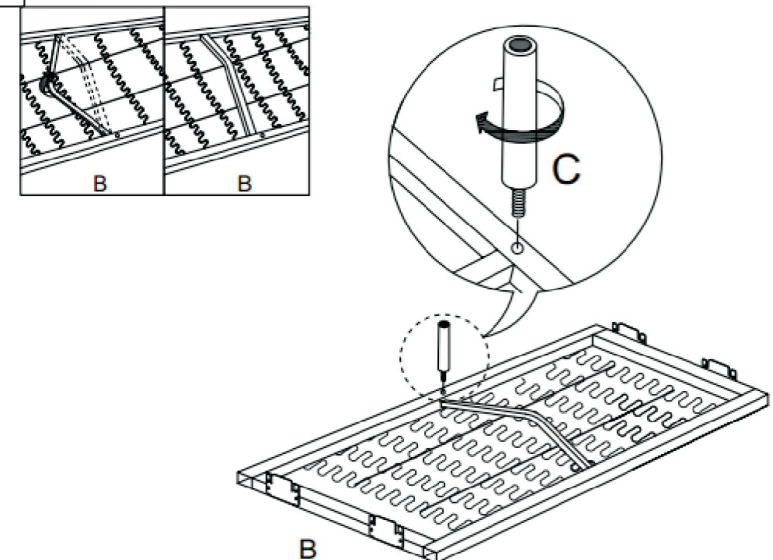
INSTALLATION INSTRUCTIONS

step2



Back cushion interior are in the armrest frame, first you should take out then tuck it in cover

step3

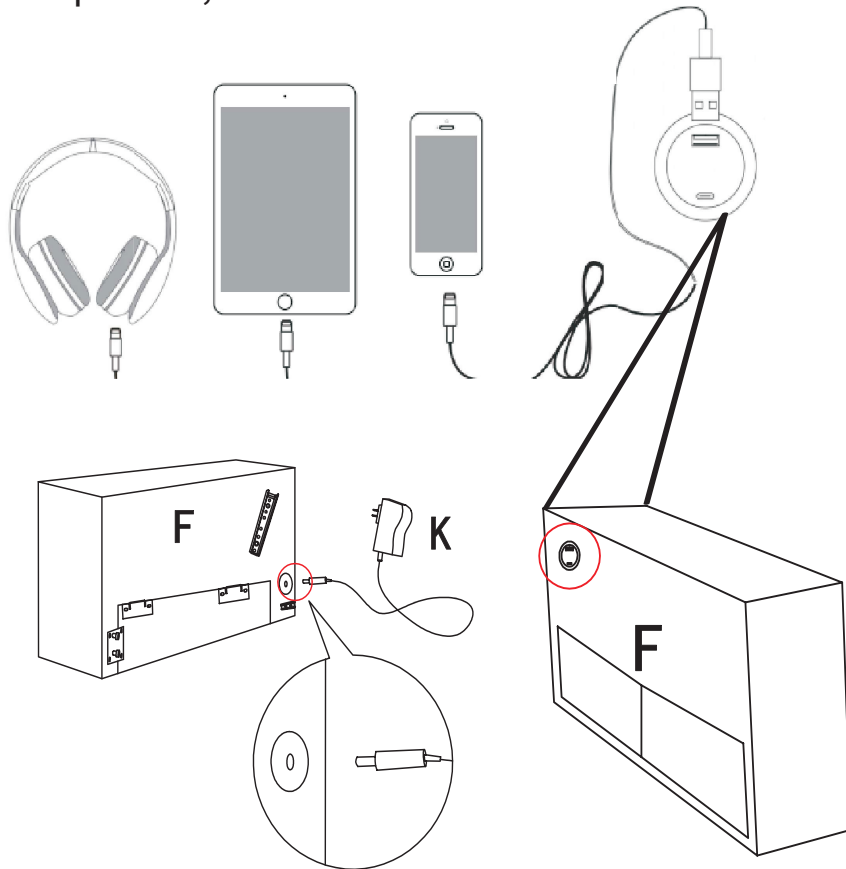


INSTALLATION INSTRUCTIONS

step4

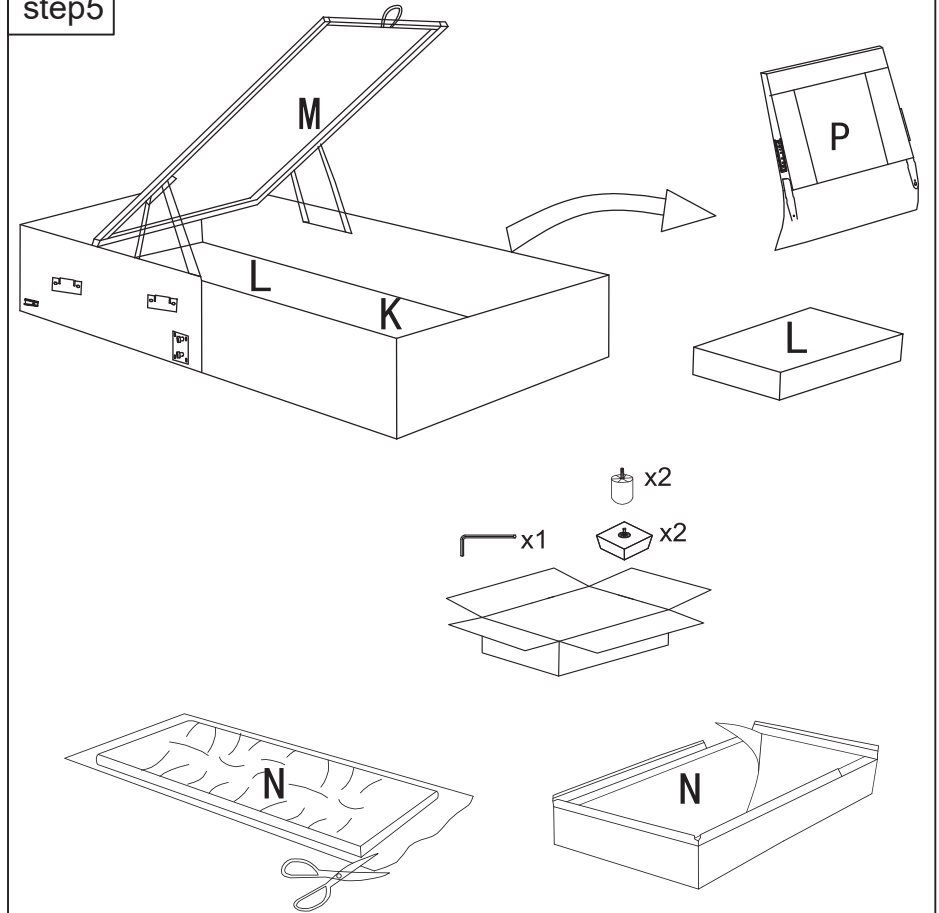
How to use control panel that outside of right armrest?

Control panel has dual USB outlets.....(5V2A+TypeC) that keep your devices charging, such as nearly all smartphone (like iPhone, Samsung..), iPad, headphones, Kindle..



INSTALLATION INSTRUCTIONS

step5

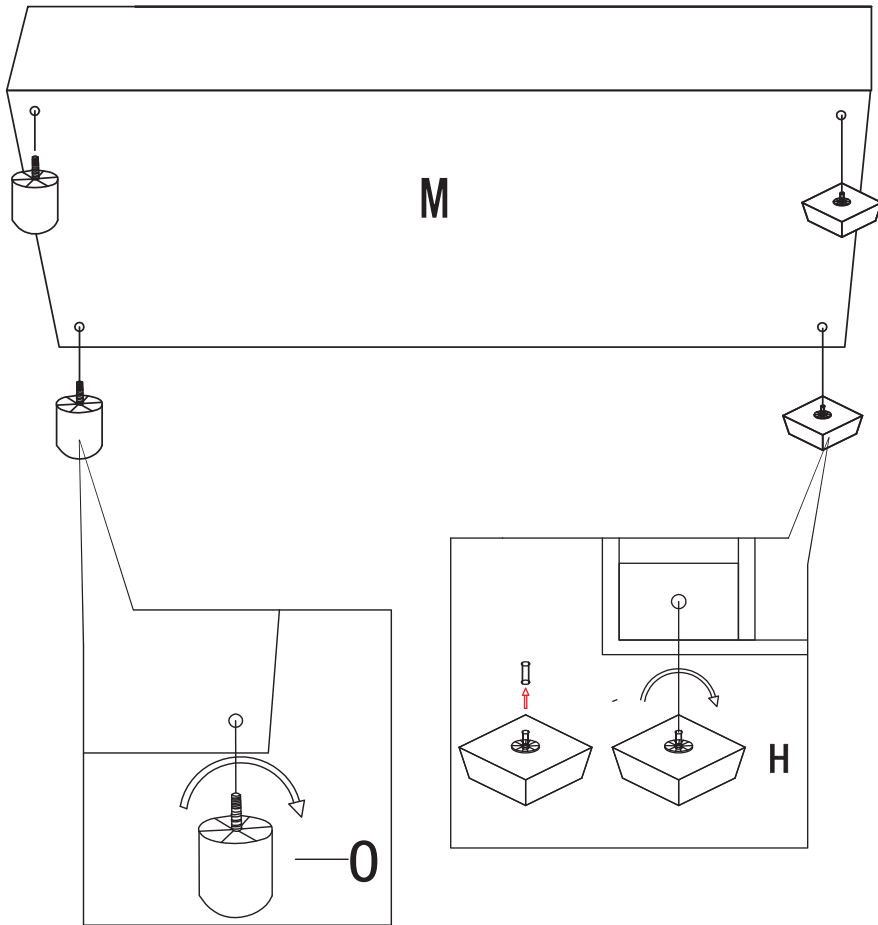


Seat and back cushions may take 24-48 hours to fully expand, which will allow wrinkles and indentations caused by packing to fade.



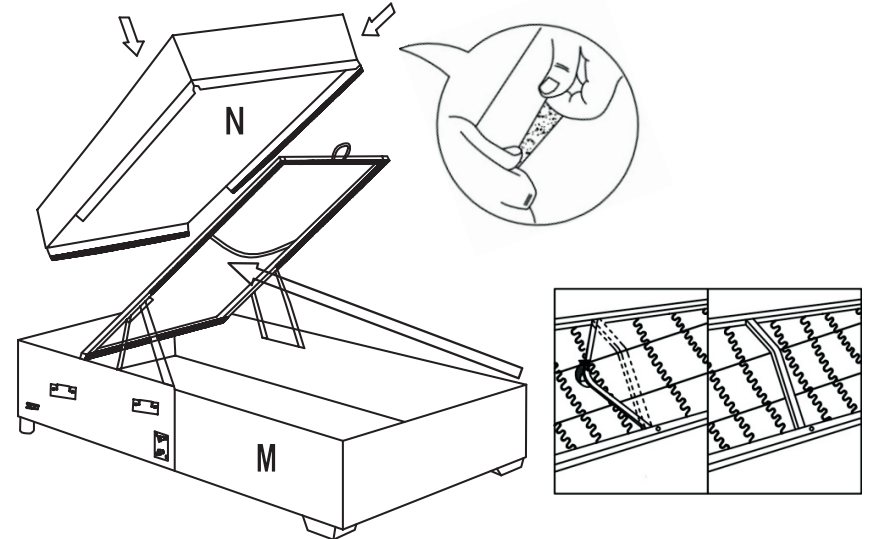
INSTALLATION INSTRUCTIONS

step6

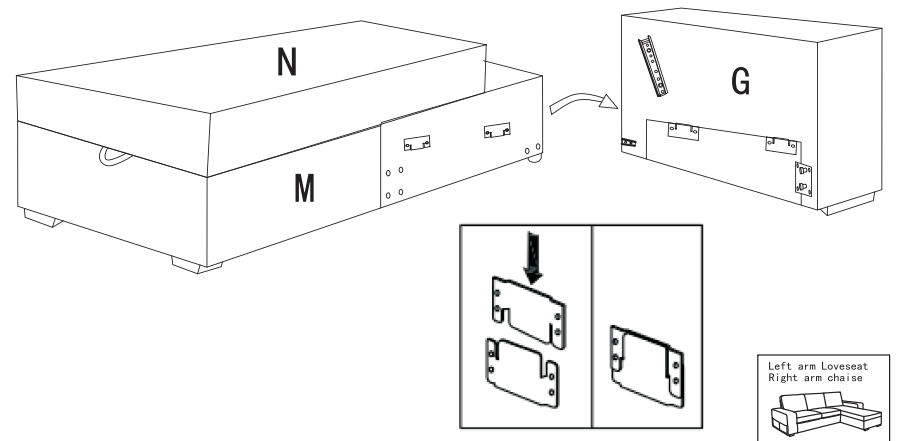


INSTALLATION INSTRUCTIONS

step7

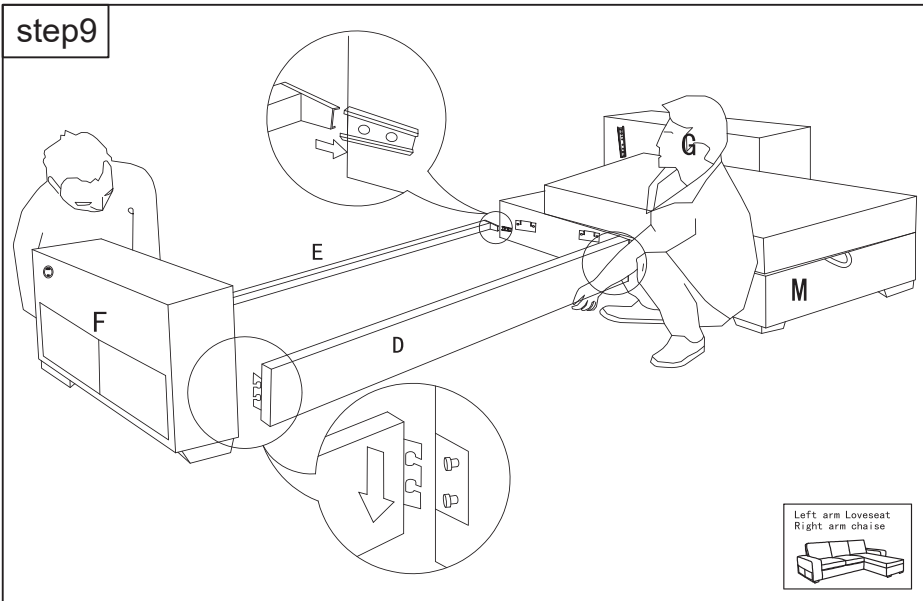


step8

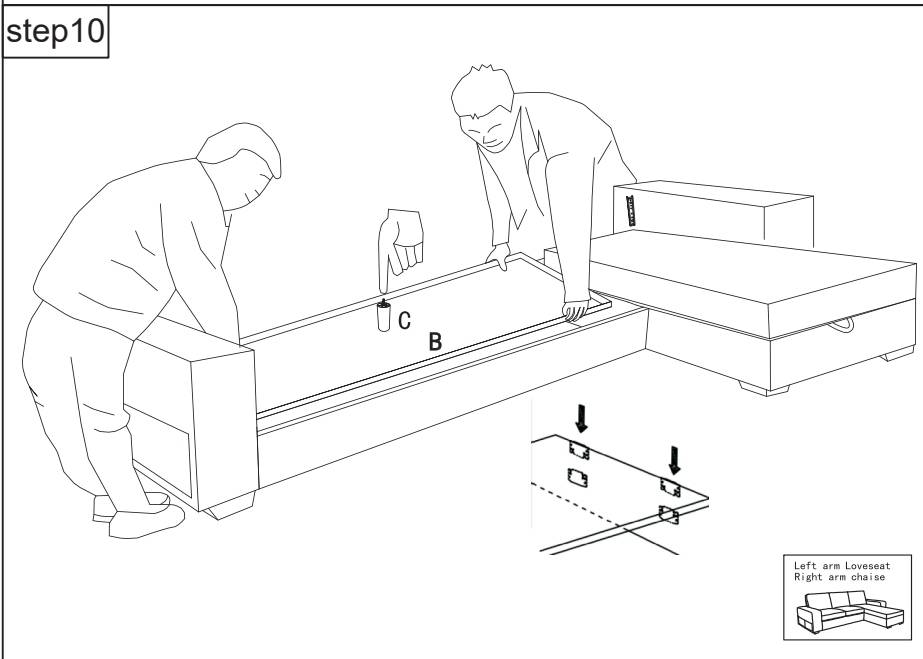


INSTALLATION INSTRUCTIONS

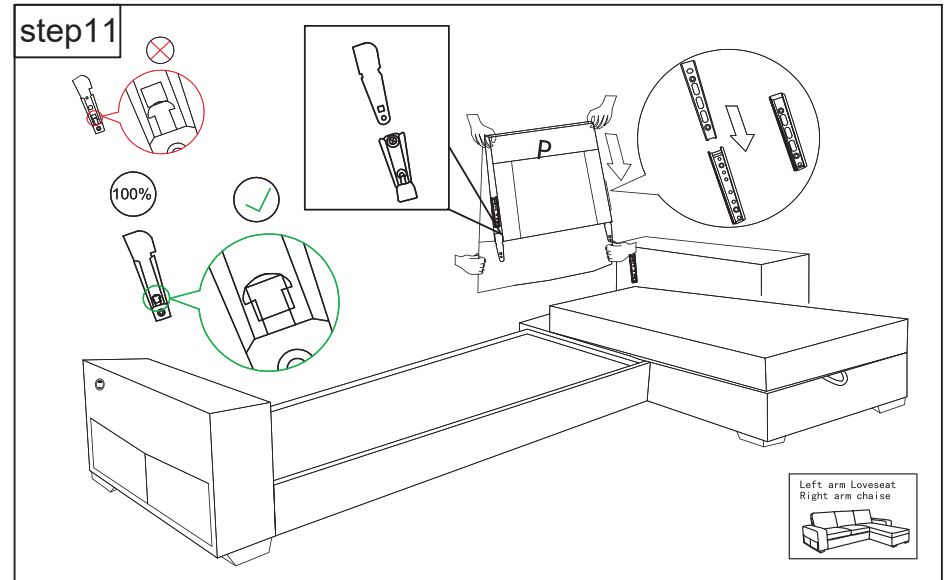
step9



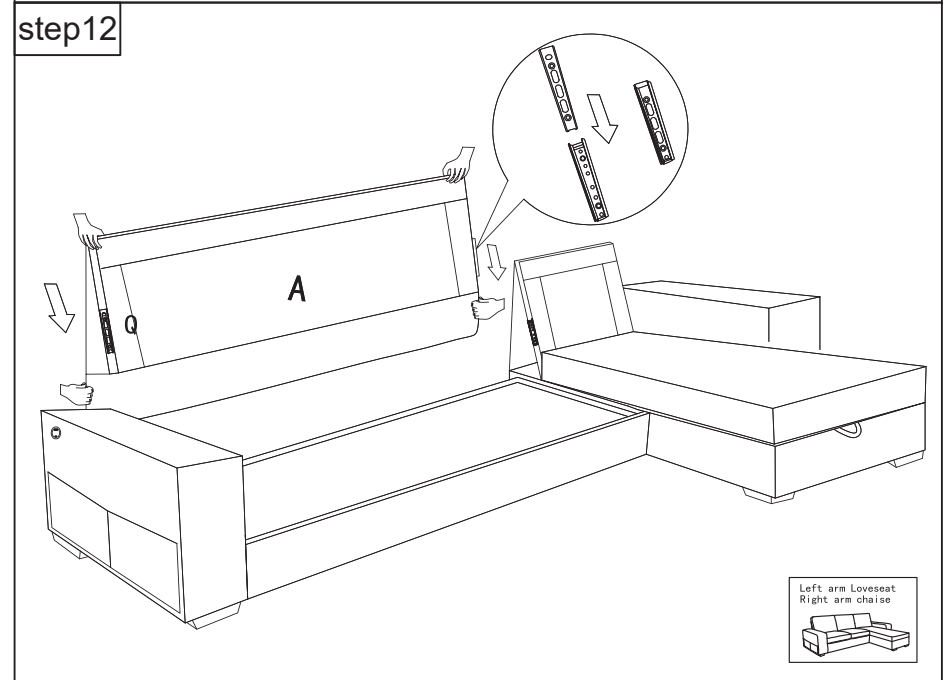
step10



step11

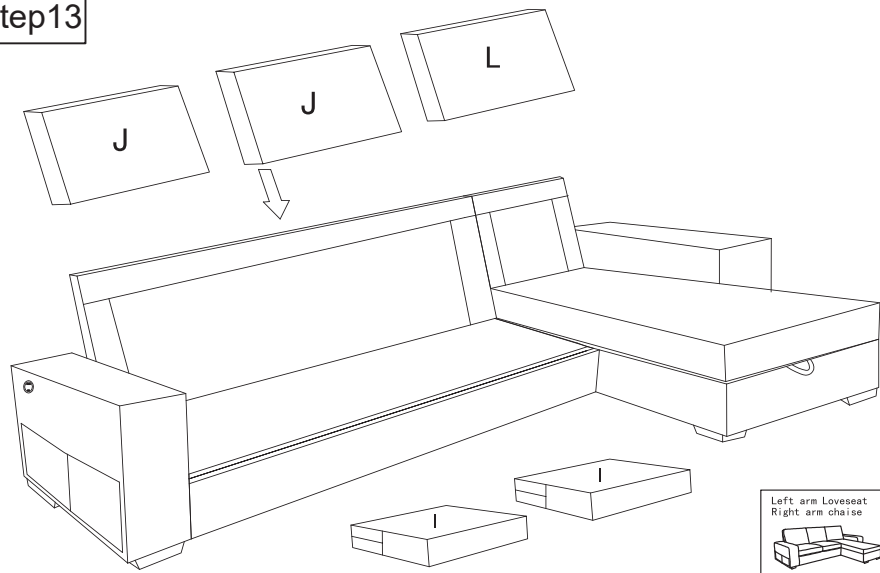


step12

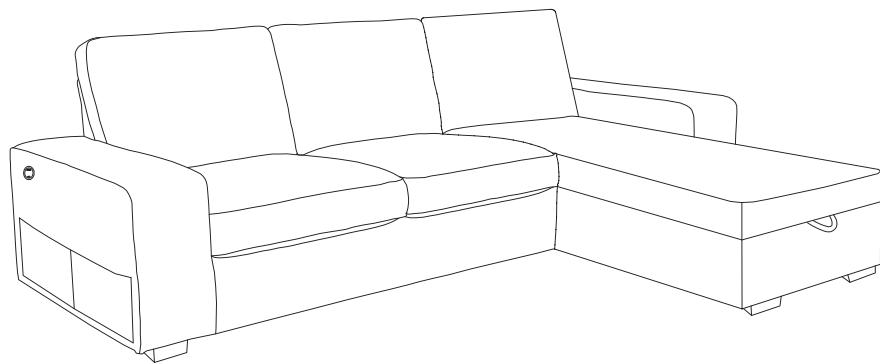


INSTALLATION INSTRUCTIONS

step13

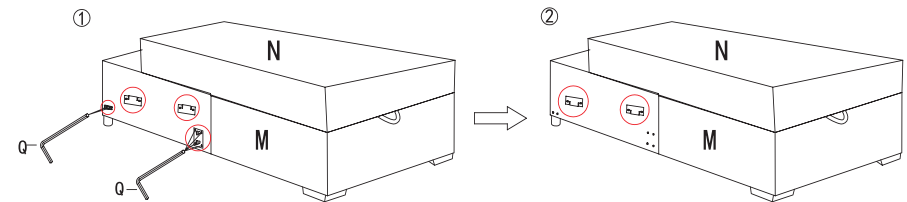


step14

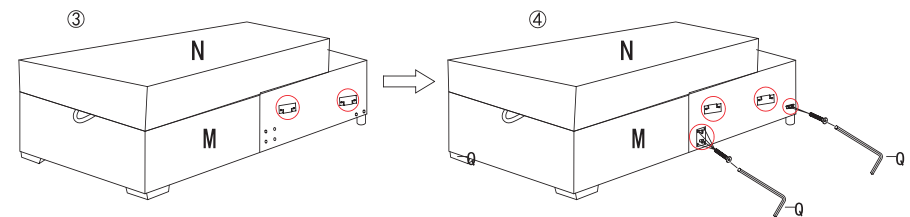


step15

Dear Customer, the combination of the sofa you purchased is left side facing arm loveseat and right side facing arm chaise, if you want to change the combination of the right side facing arm loveseat and left side facing arm chaise, please follow the following steps:1~8

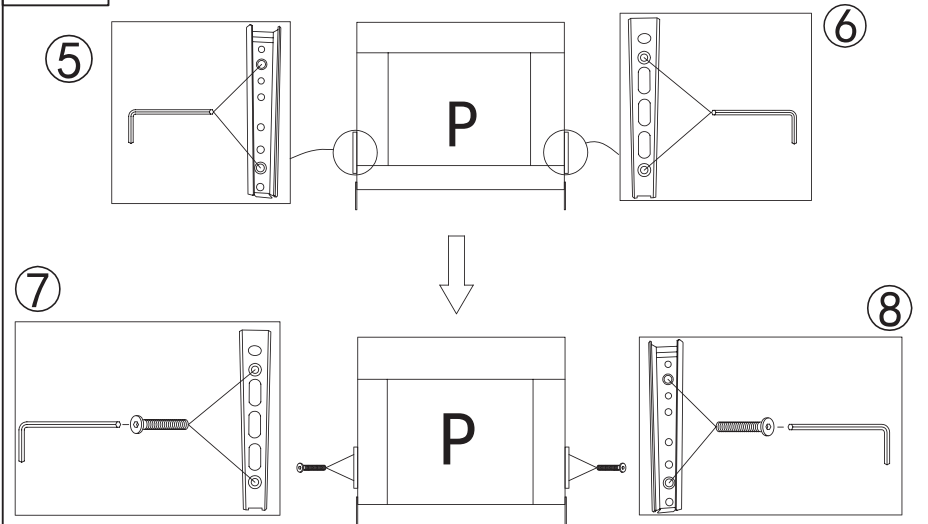


The left rear connecting rod sleeve and the seat front plate insert are removed and installed in the same position on the right.

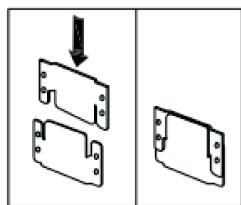
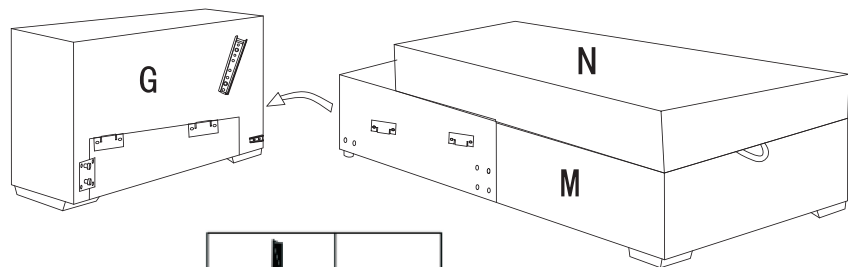


INSTALLATION INSTRUCTIONS

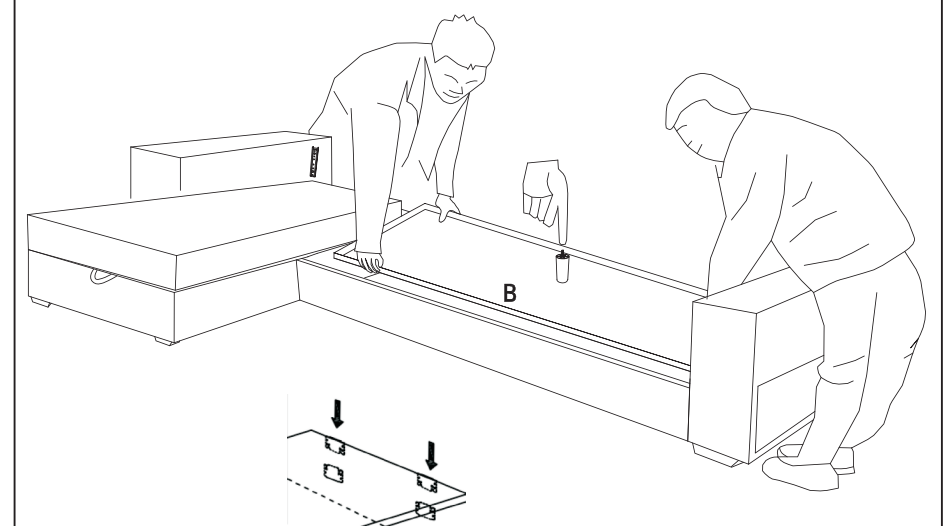
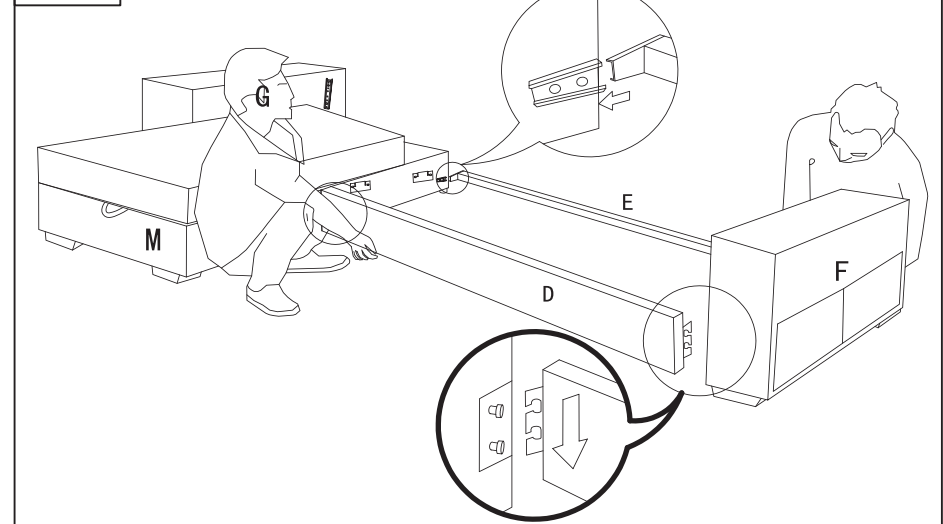
step13



Right side facing arm chaise's back bracket plug-in is interchangeably assembled into the left side facing arm chaise's back bracket

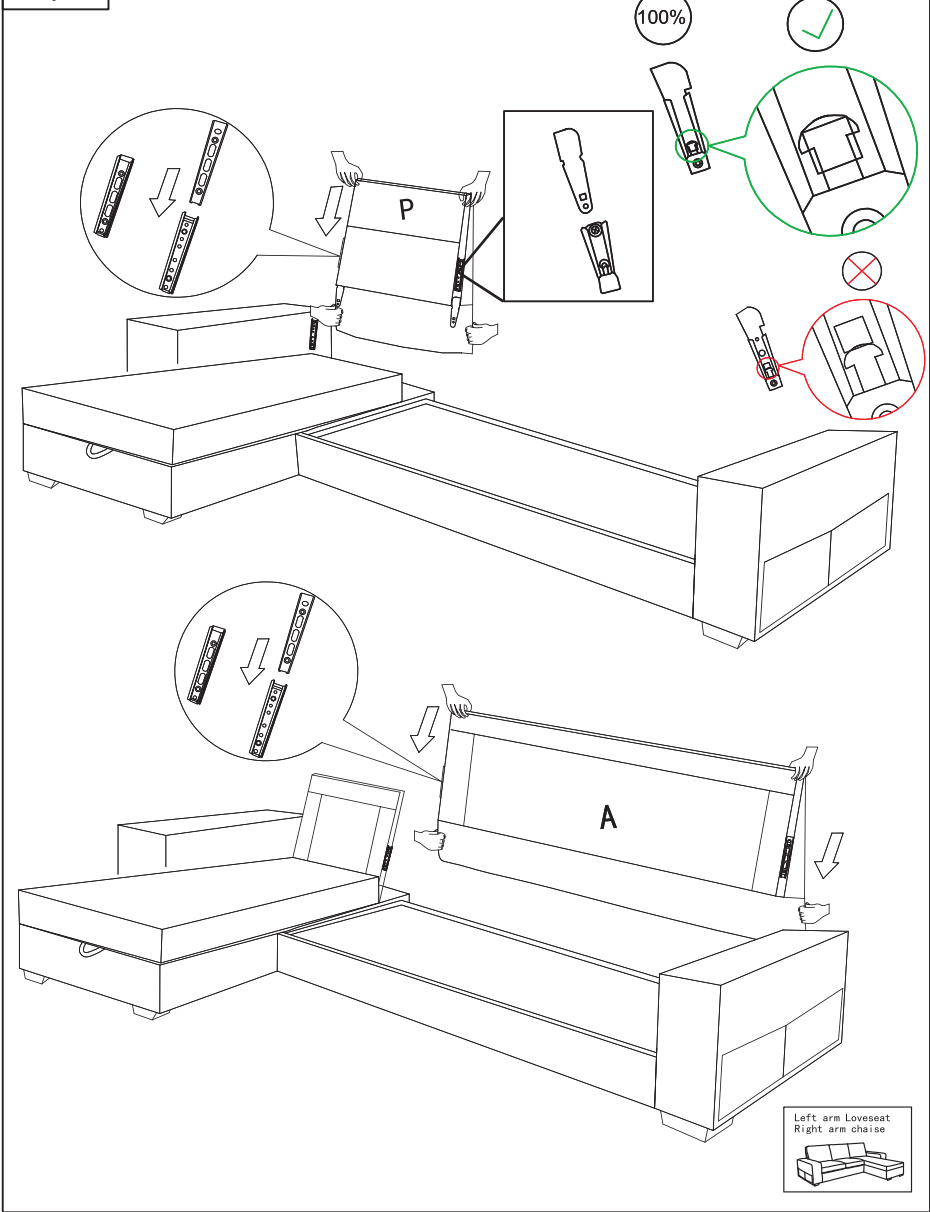


step15

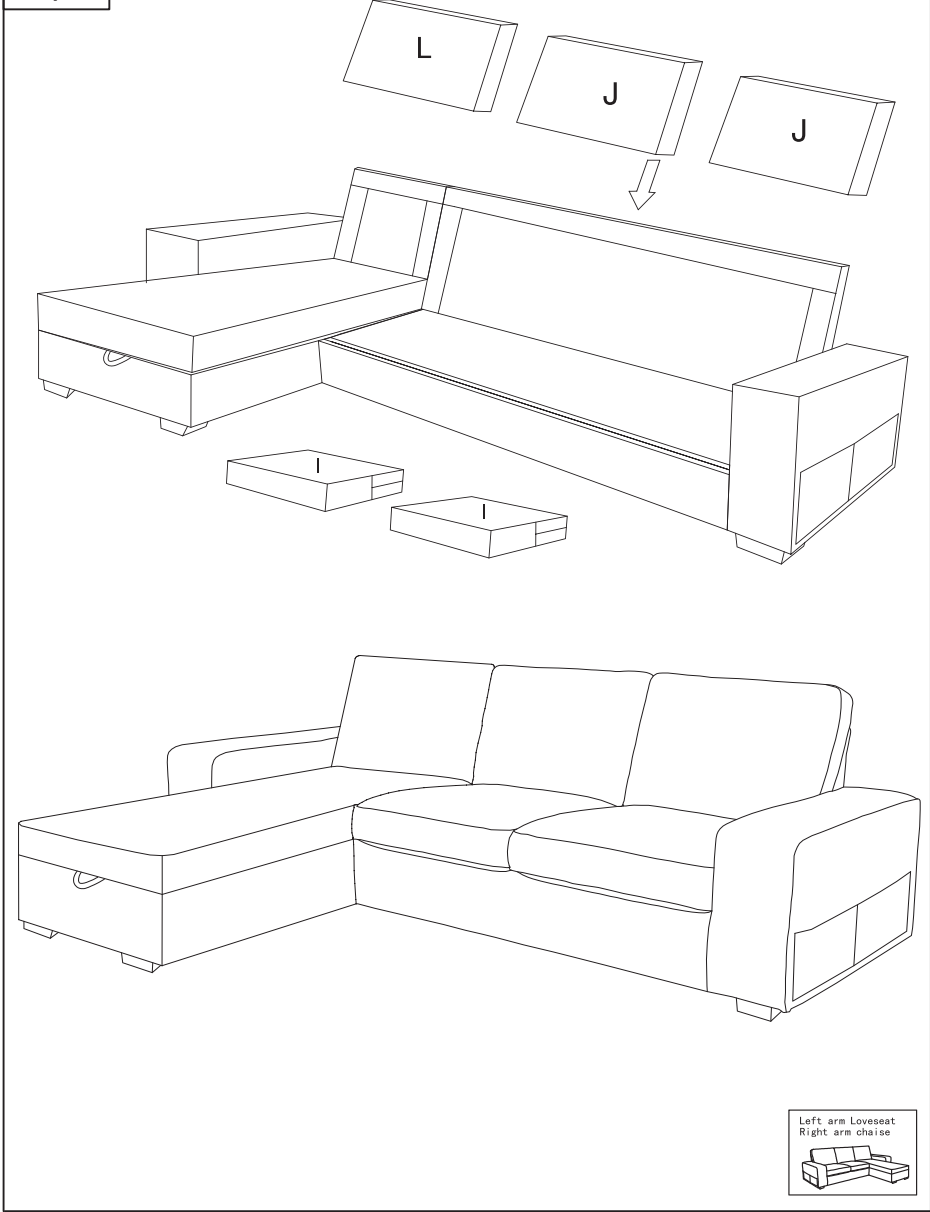


INSTALLATION INSTRUCTIONS

step13

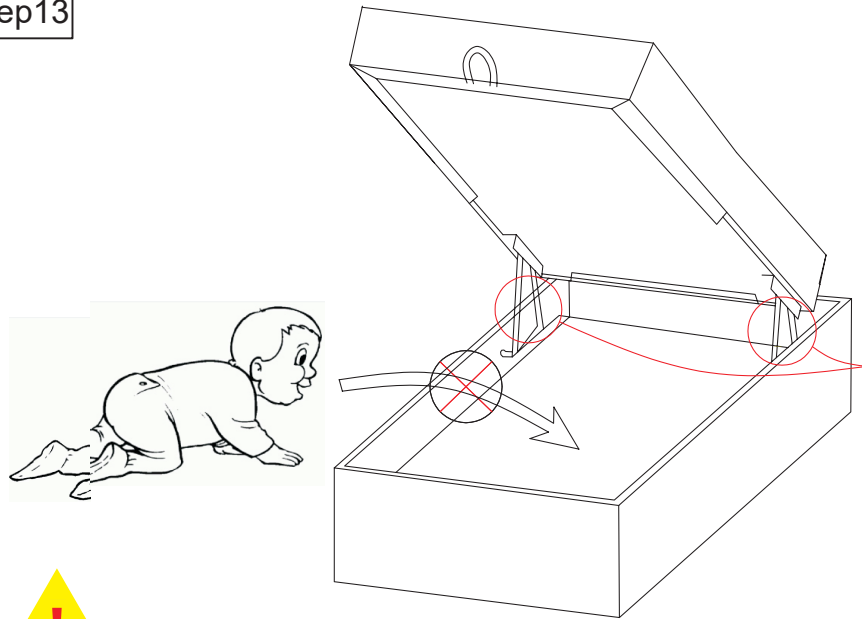


step15



INSTALLATION INSTRUCTIONS

step13



! WARNING !

TO AVOID DANGER OF SUFFOCATION, CHILDRE SHOULD NOT CRAWL INTO THE STORAGE BOX.

! WARNING !



Do not put your hand on the movable part of the product when opening and closing, it may cause injury. please be careful not to let children use it alone.



TRANSPORT AND INSTALLATION

1. The sofa should be especially protected against rain, moisture and crushing by heavy objects during transportation, in order to avoid quality problems during use.
2. Please make sure that the sofa has the safe access required for its entry before it enters your place of use.
3. Sofas are mainly fixed installation, a few are dismantling sofas. When purchasing a sofa, please give full consideration to the size of the door frame and the movable space of the entrance door. If necessary, ask a professional to disassemble the sofa and reassemble it after entering the house, so that it will not damage the sofa's internal structure, seating sensation and surface effect.

CAVEAT

- Please read all instructions before use.
If in any doubt about safety, contact a specialized technician for inspection. When using this product, basic safety precautions must be observed to avoid the risk of injury to persons, including the following.
1. Do not use this product in high humidity environments.
 2. Do not store or use this product outdoors or in direct sunlight.

METHODS OF CARE

3. Someone must be present to watch over children, disabled people or people with reduced mobility when they are near or using the sofa.
4. After using the sofa, please turn off the on/off function of the backrest/footrest completely before getting up to avoid accidents.
5. Do not sit on the footrest when using the massage sofa to avoid accidents.
6. Do not try to stand on the armrests or backrests to avoid the massage sofa toppling over, this may cause an accident.
7. Always keep the sofa clean and avoid inserting other objects into the gap of the sofa.
8. Please ensure that there are no other obstacles under the footstool or backrest when lowering it, especially for children.

It is not recommended that children use the appliance alone. The following aspects must be considered.

1. Do not allow children to play freely on the sofa alone without adult supervision to be! Limbs may get caught in the seams of the product and the sofa may tilt and cause the child to fall.
2. Do not leave children unattended near the sofa when it opens and closes to avoid unnecessary injuries.

1. Avoid placing the sofa in direct sunlight above 30°C. Every 10-15 days, use a vacuum cleaner to remove dust etc. and clean the entire sofa.
2. Remove stains as soon as they are stained and avoid scratching or other damaging treatments, thus permanently maintaining the quality of the fabric surface. The surface of the sofa can be covered with a tight-fitting protective cover. When stained with ink-like stains, wipe with a soft white cloth or absorbent paper.
3. If a solvent is to be used to remove a stain, avoid applying it directly to the stain, but pour it onto a clean cloth first and then try to clean the hidden areas on the back. The stain should be wiped in a circular motion from the outside in until it is completely removed. Immediately after wiping, a low-power hair dryer should be used to dry the clean area from the outside in.
4. Be gentle and careful when wiping stains and spots, do not use excessive force. The massage sofa can be covered with a removable, tight-fitting protective cover.
5. If you have covered the sofa with a tight-fitting protective cover, please follow the instructions listed on the cover and clean it with a cleaner that does not contain bleach or oxidizing agents. Other-

wise the texture and color of the fabric will change.

6. Vacuum regularly:

Vacuum once a week, paying special attention to removing dust between fabric folds. If there are stains, wipe with a dampened clean cloth to avoid leaving traces, preferably from the edge of the stain.

7. How to clean effectively:

Generally speaking, a soft cotton cloth can be moistened with a 1:10 soap flake solution or 1:20 advanced shampoo, wrung out and gently wiped the stained area. If the stain is too heavy, repeat the process a few times and the stain will be removed. Don't use too much force or the fabric will fade.

8, How to remove stubborn stains:

If the sofa is stuck with chewing and other gelatinous substances, use an ice pack or ice water to cool it down, and then gently wipe it off with a fine silk cloth.