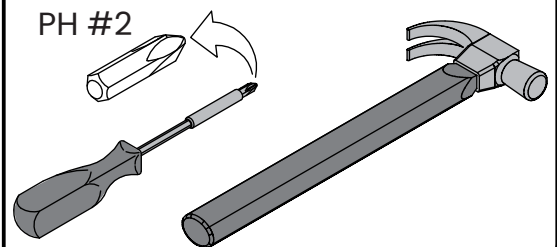
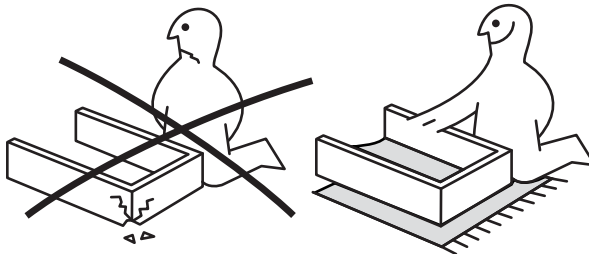
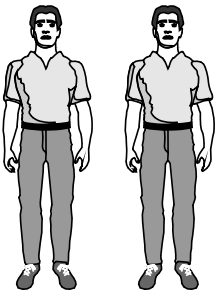
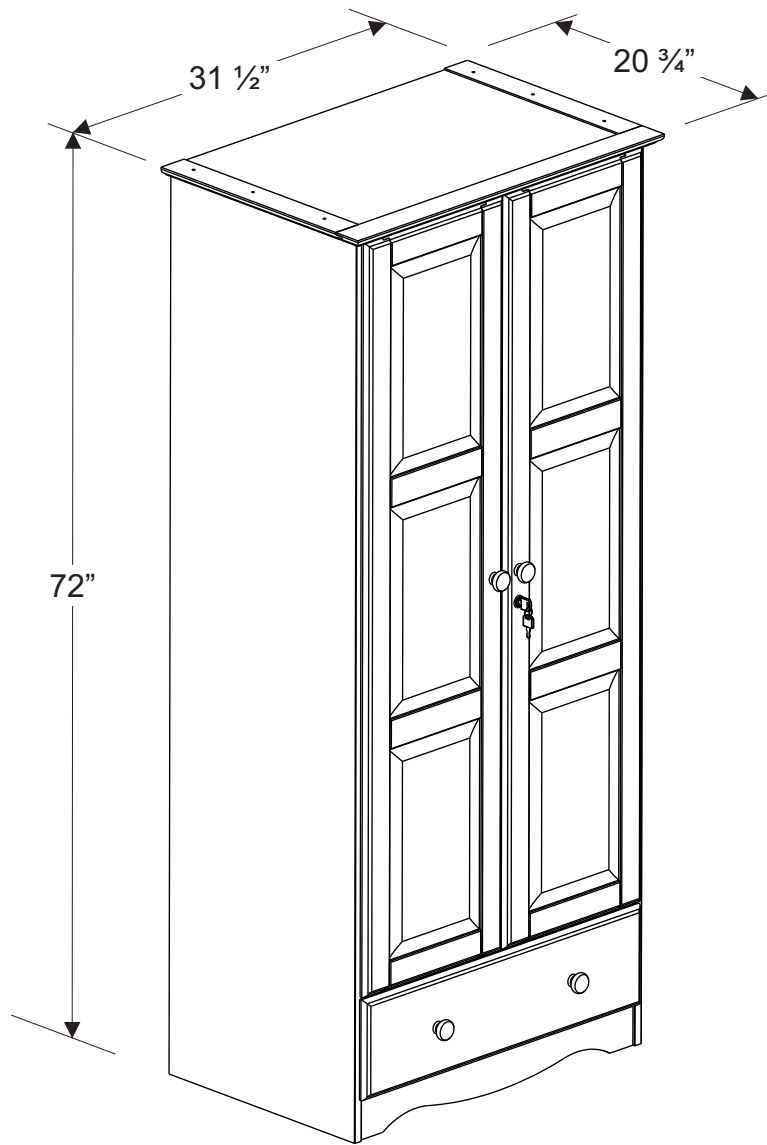


ASSEMBLY GUIDE

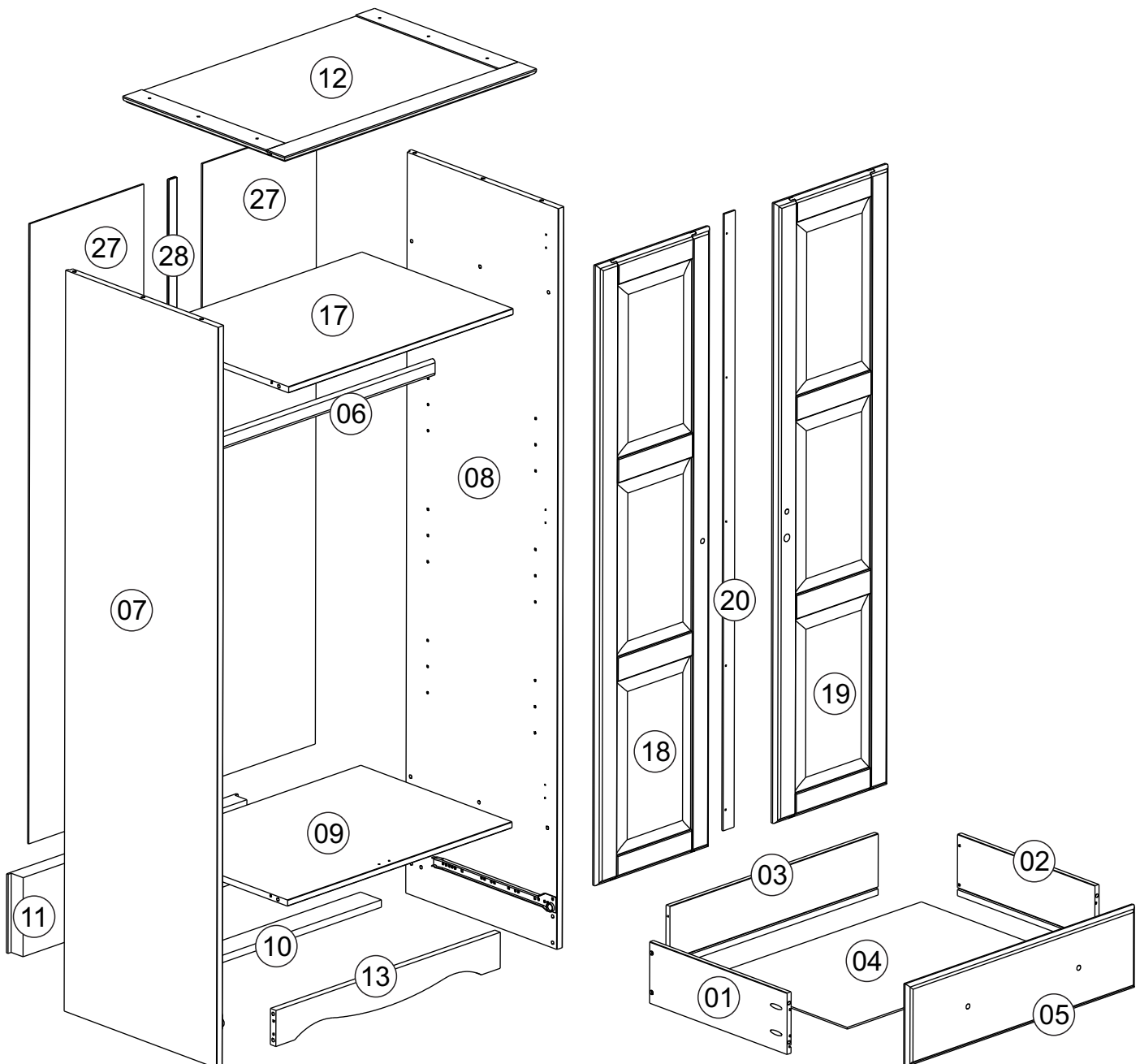
2-DOOR WARDROBE




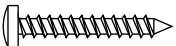
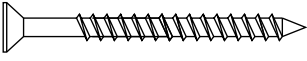


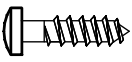
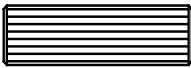
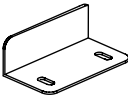
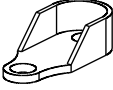
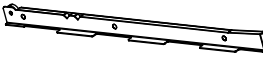
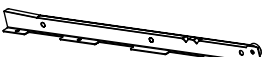
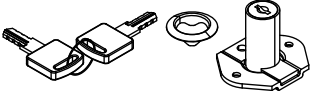
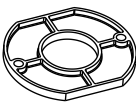
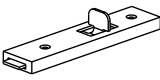
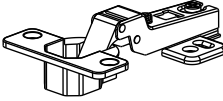
PRE-ASSEMBLY PREPARATION

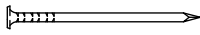
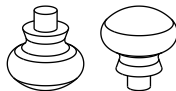
- Please check the contents before assembling. A full checklist of parts is provided below.
- If any parts are missing or damaged, please contact customer service
- Assemble on a flat, smooth surface on top of a blanket
- Use only low-speed power drill setting
- Assemble as near as possible to the point of use
- The hardware pack contains SMALL ITEMS which should be KEPT AWAY FROM YOUNG CHILDREN

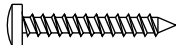
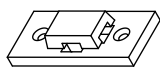

PARTS DIAGRAM



SCREWS ARE SHOWN IN ACTUAL SIZE

A1	 4,0x30	26+1
A8	 3,0x20	02+1
A16	 4,0x40	06+1
A41	 4,0x30	04+1
A42	 4,0x14	08+1
A44	 3,5x14	37+1
C2	 8,0x25	30+1
D3		02
D10		02
E17	 450mm - 17 3/4"	01
E18	 450mm - 17 3/4"	01
F1		01
F2		01
F3		02
F10		06

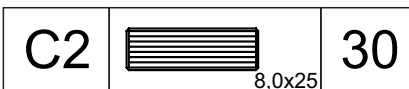
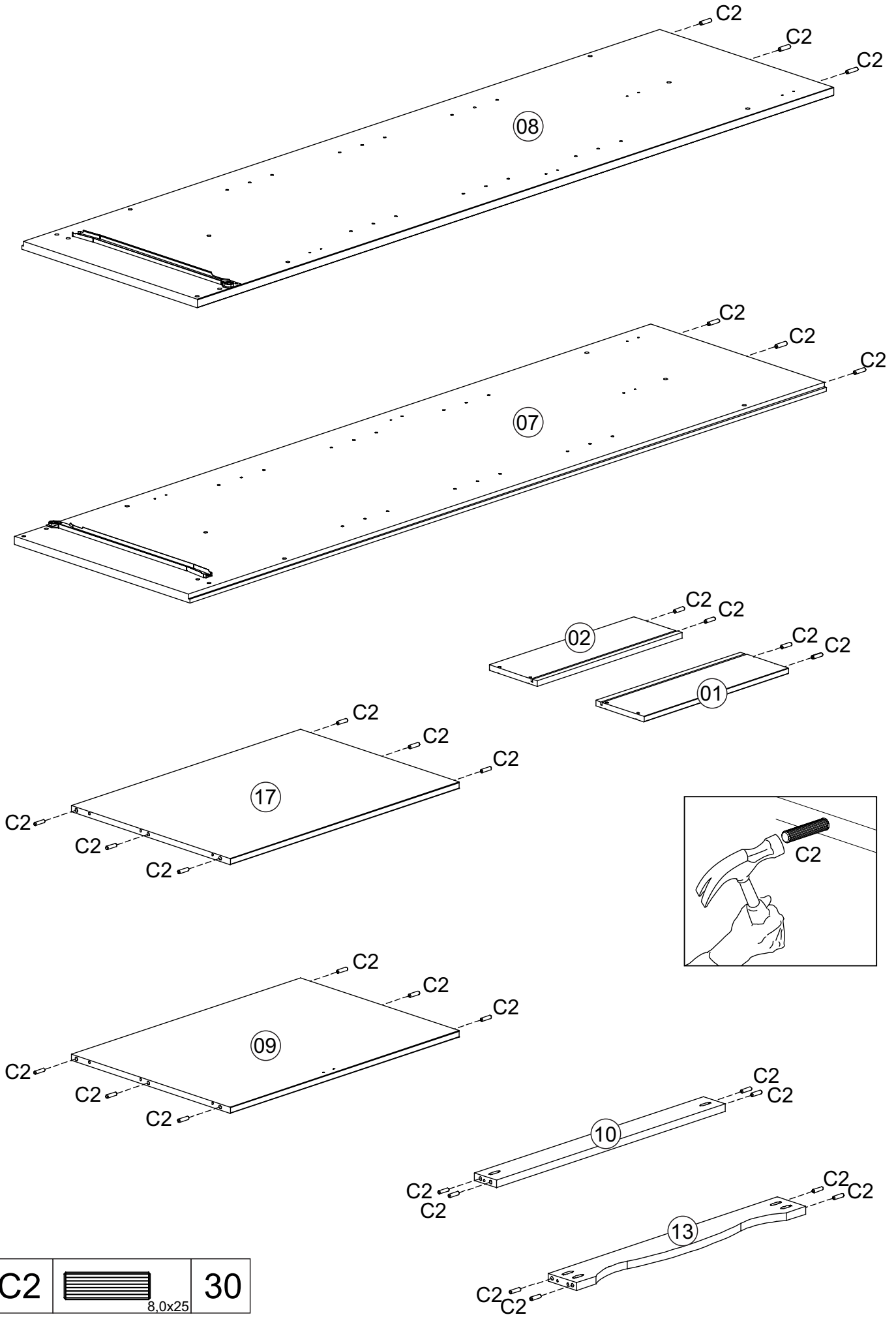
G1	 10x10	56
H1		04

FURNITURE TIPOVER RESTRAINT KIT		
A8	 3,0x20	02+1
F8		02
F9		01

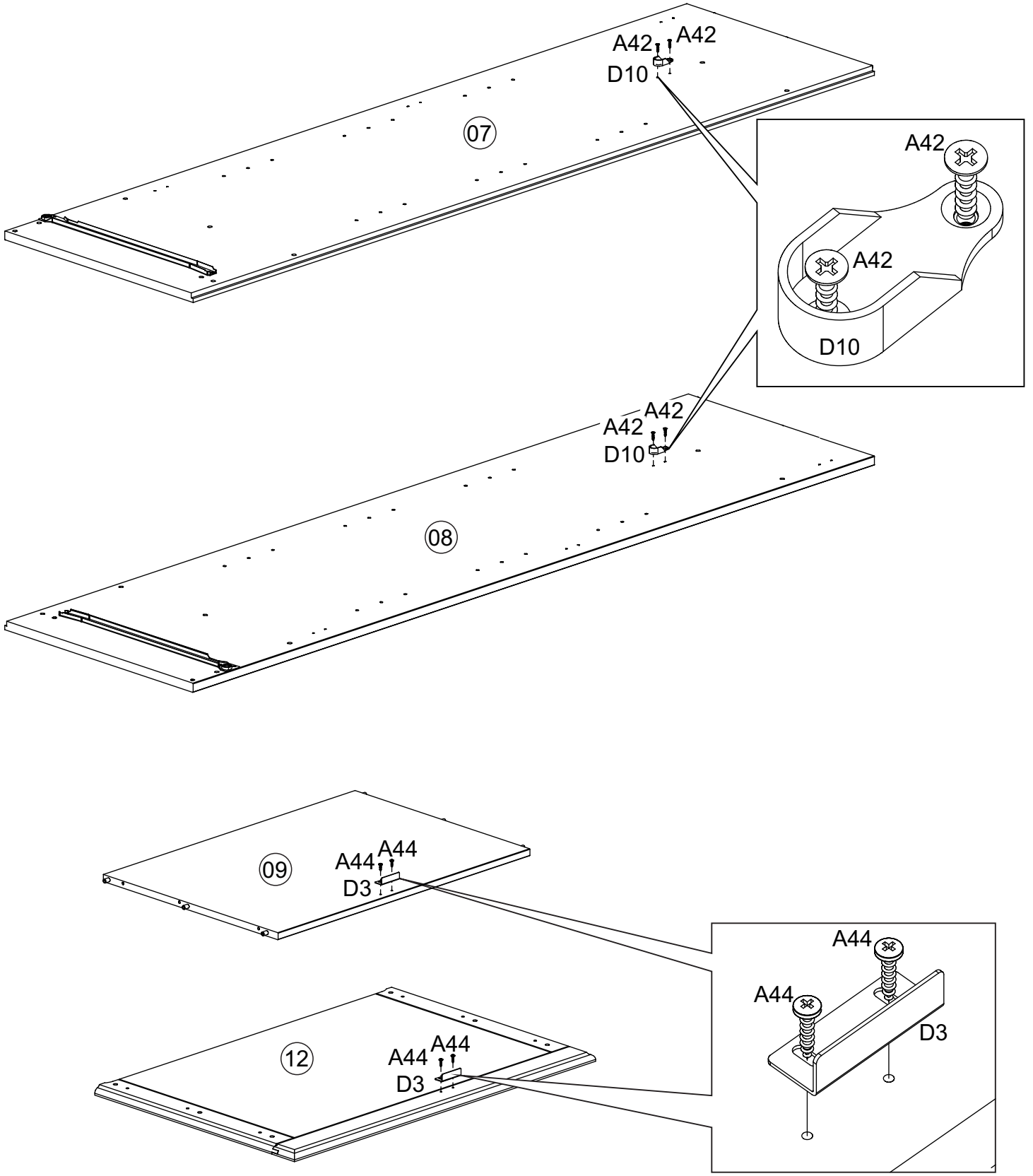
WARNING:
 **CHOKING HAZARD**
 Small Parts.
 Adult Supervision Required.
 Not for children under 3 years old.

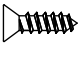

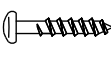
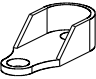
WARNING:
 **WARNING:**
**FURNITURE TIPOVER CAN RESULT
 IN SERIOUS INJURY OR DEATH**
 This wardrobe includes tipover-
 prevention hardware that
MUST BE ATTACHED TO THE WALL
 per the assembly instructions.

01)

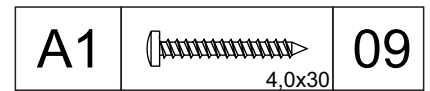
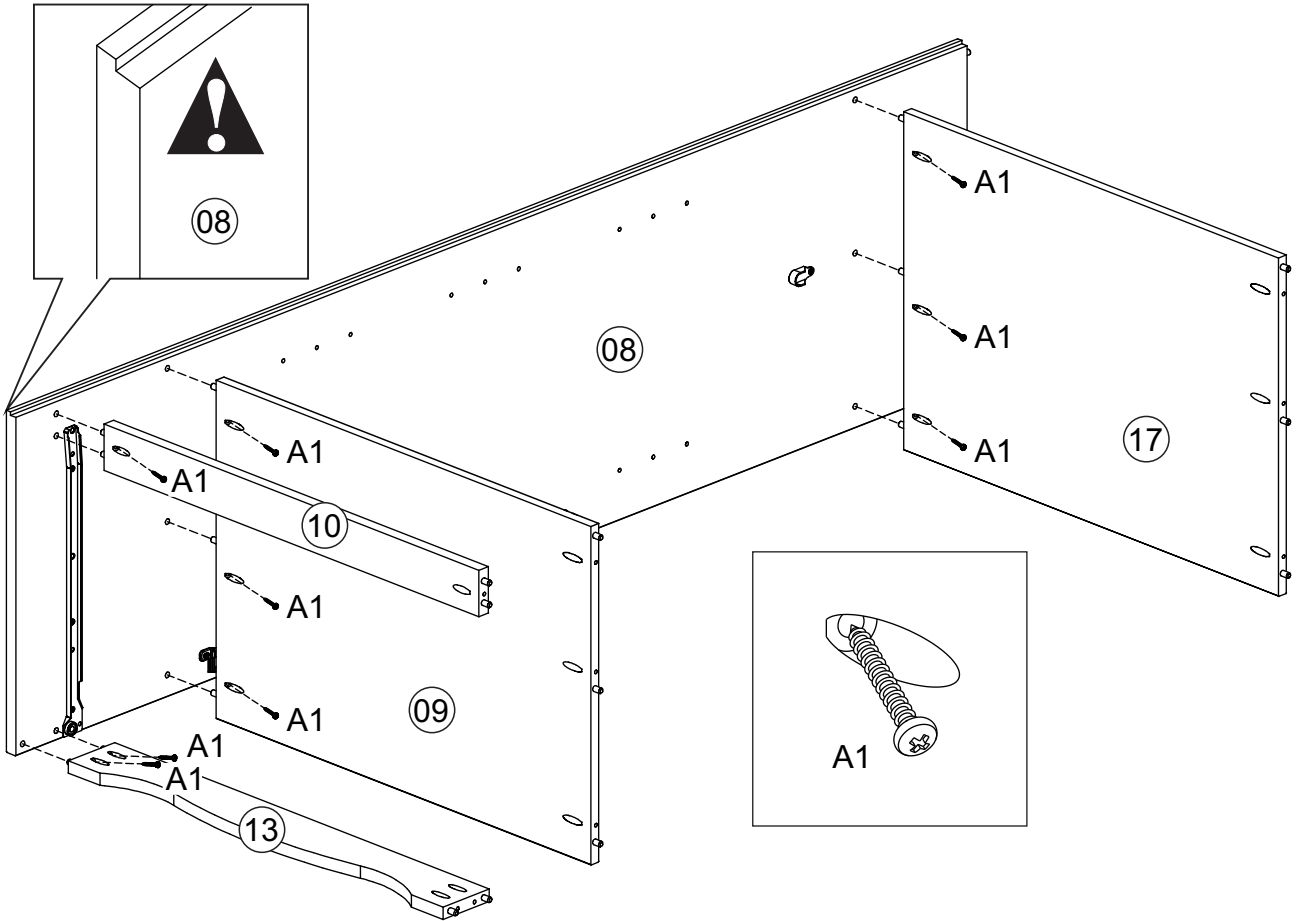


02)

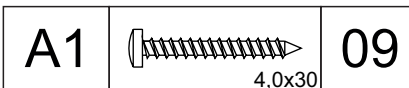
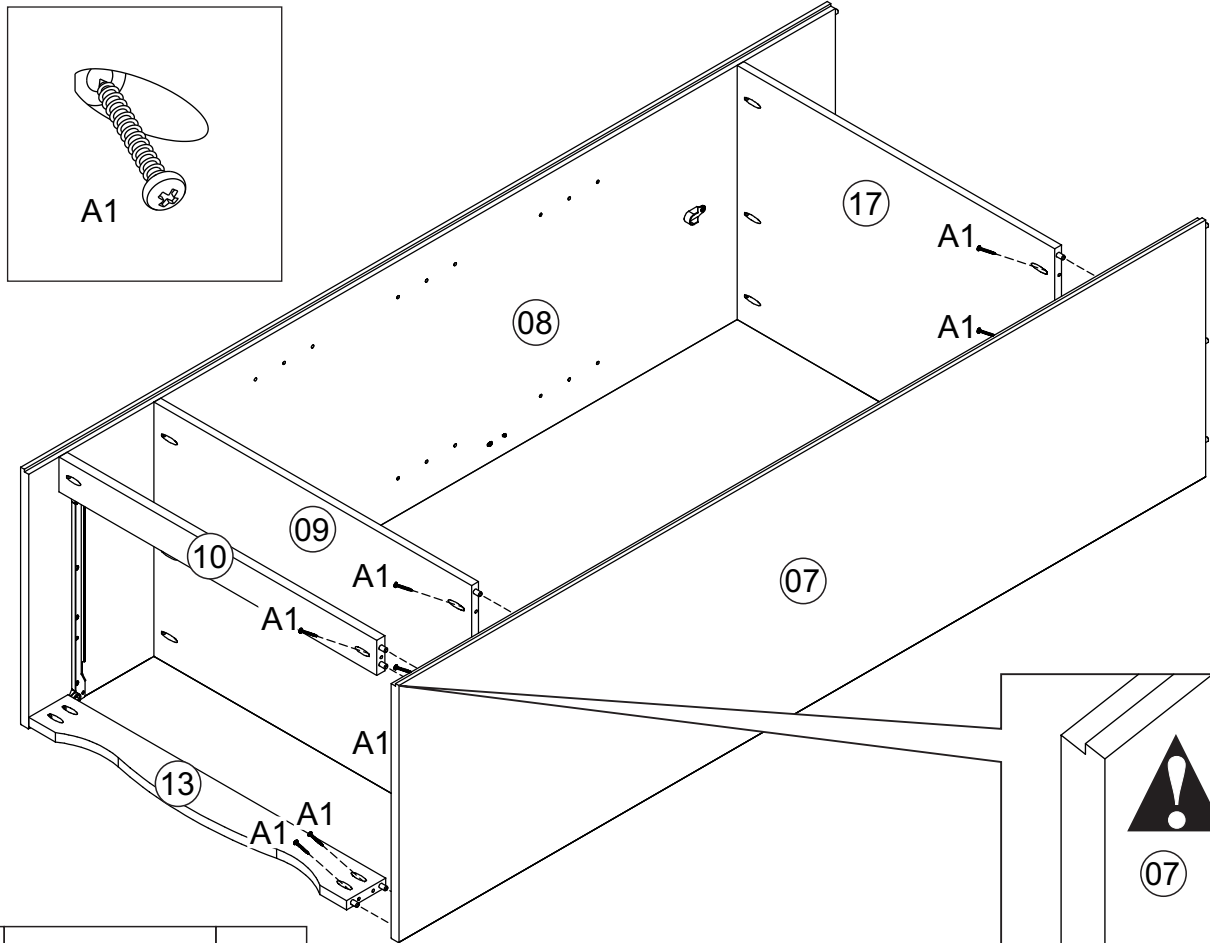


A42	 4.0x14	04	D3		02
A44	 3.5x14	04	D10		02

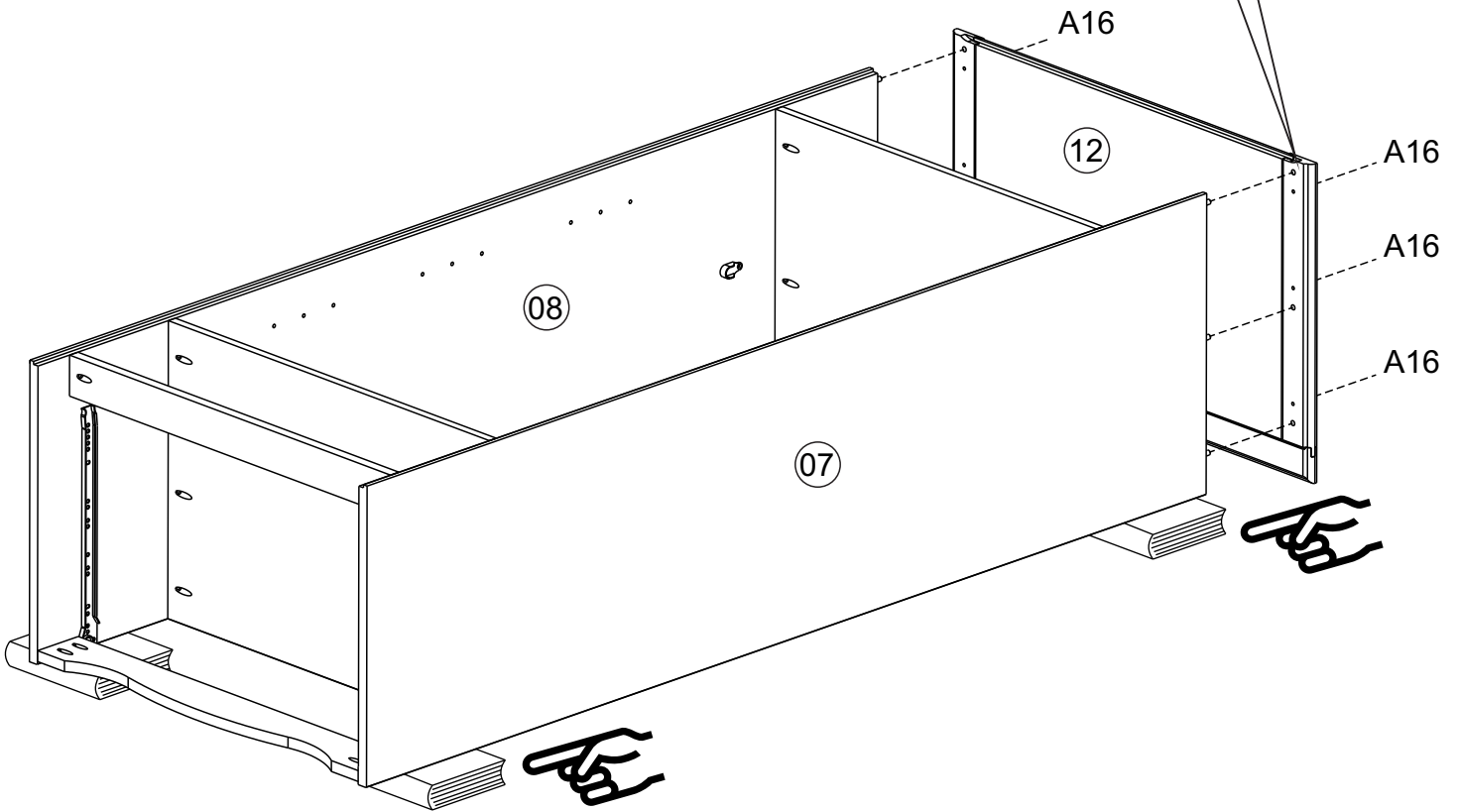
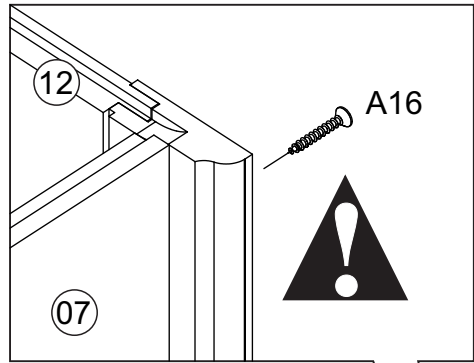
03)



04)



05)

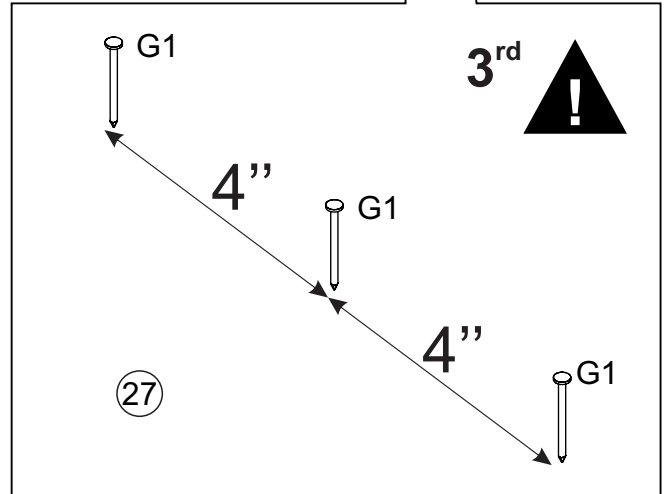
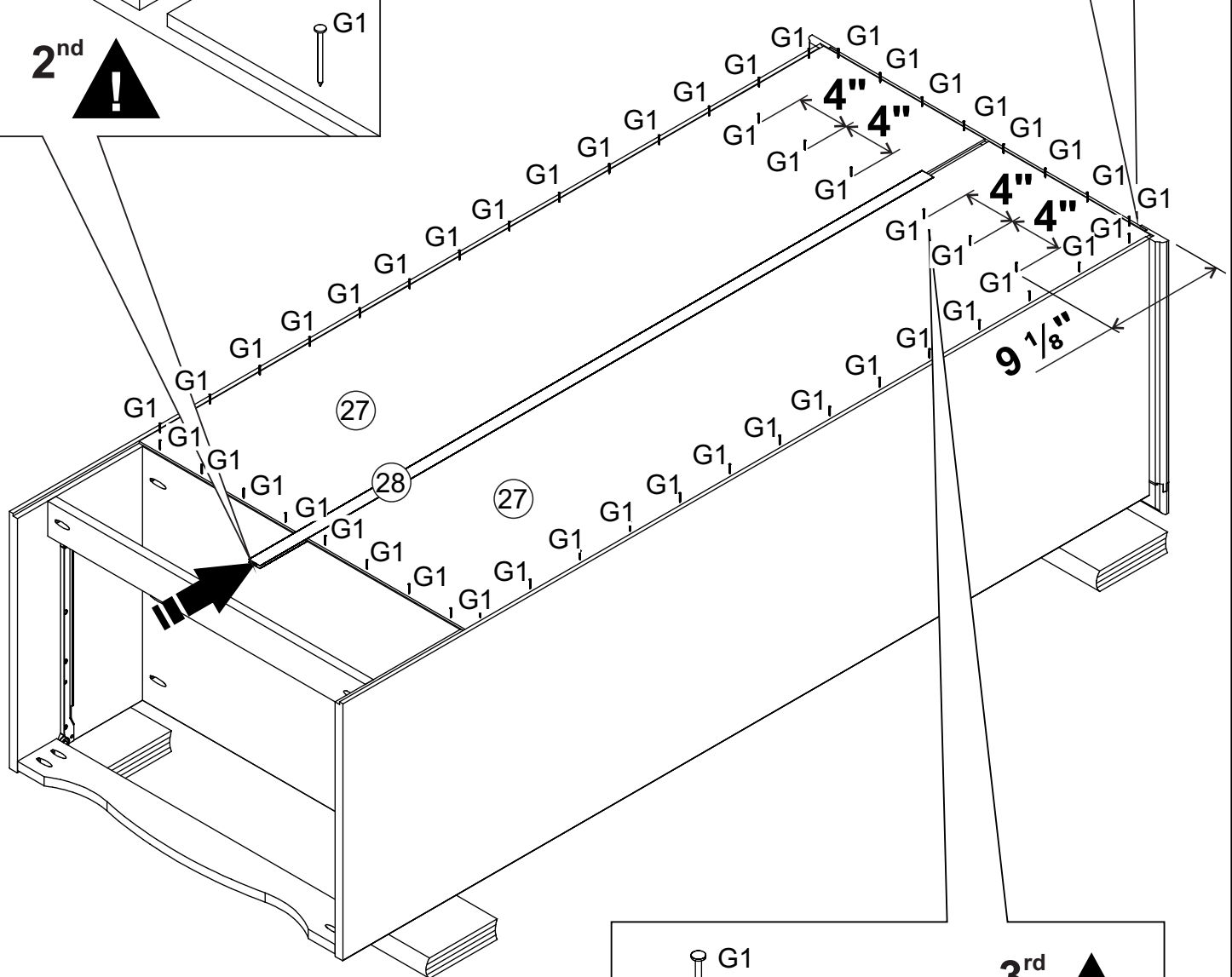
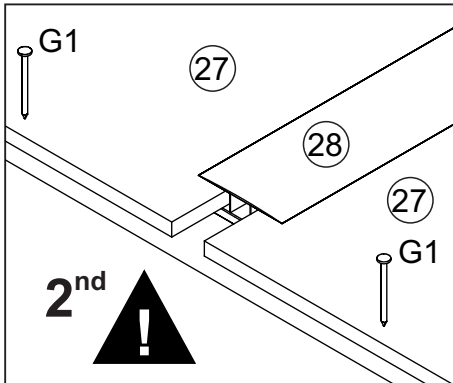
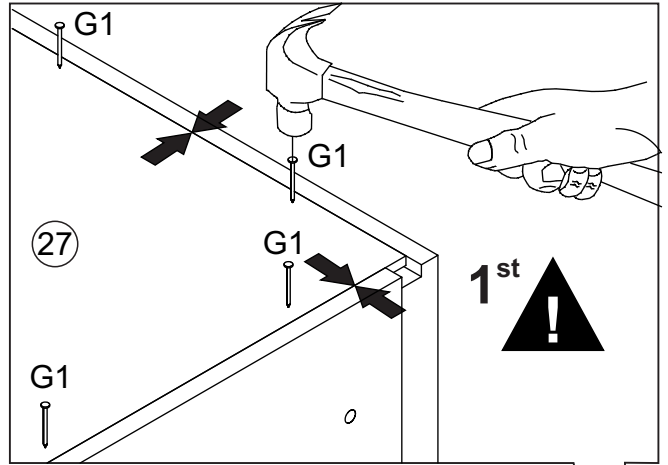


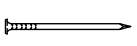
A16



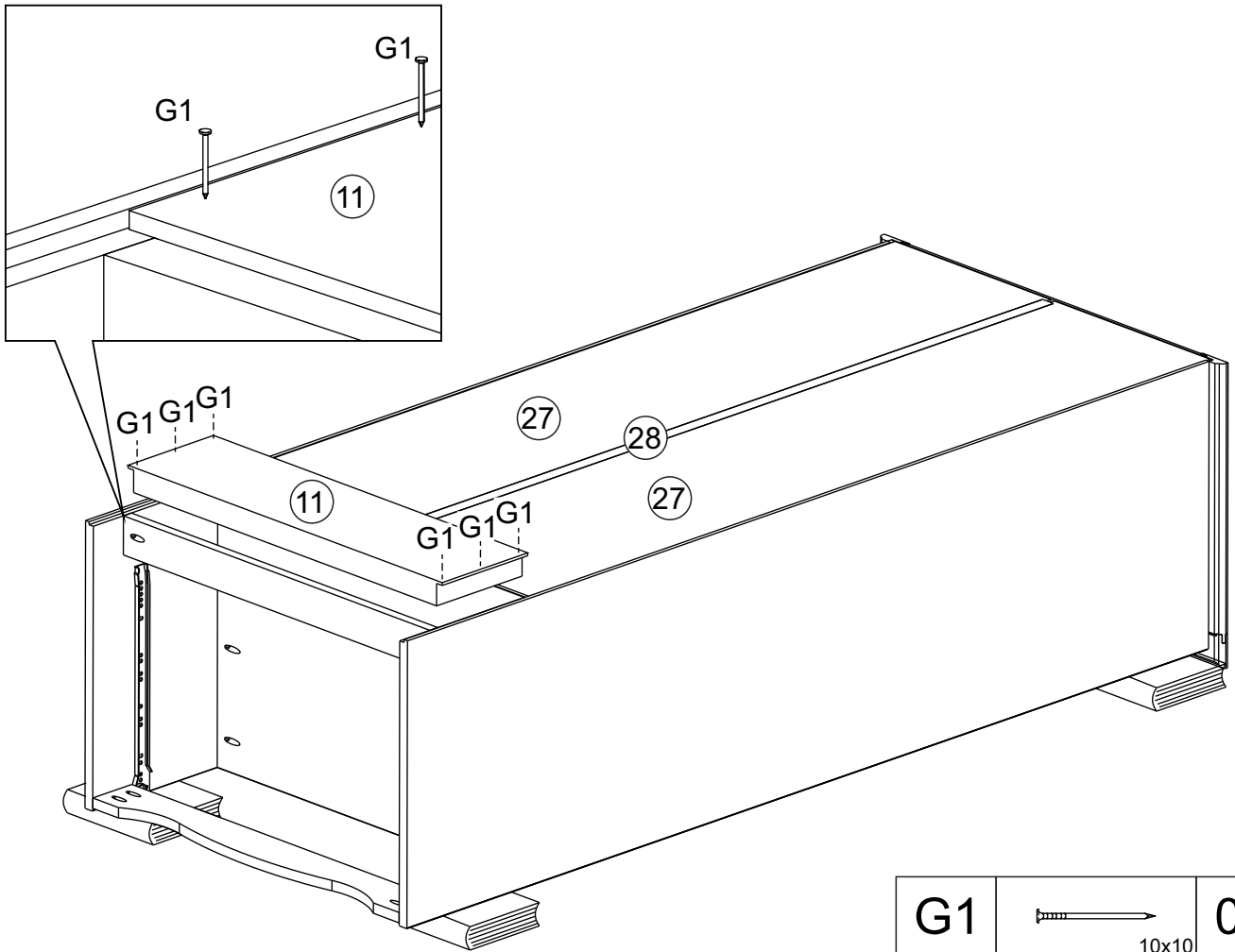
06

06)

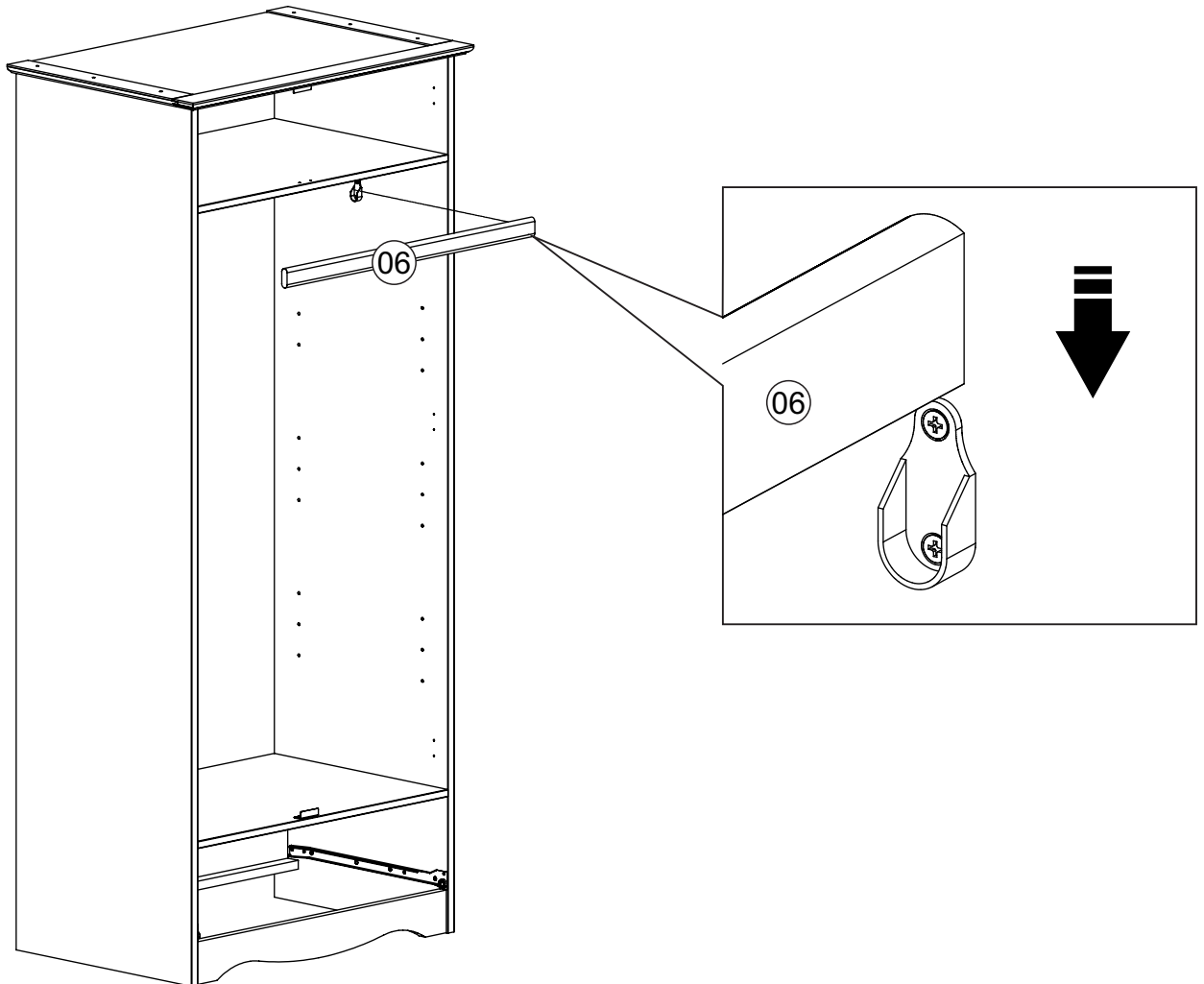


G1		50
10x10		

07)

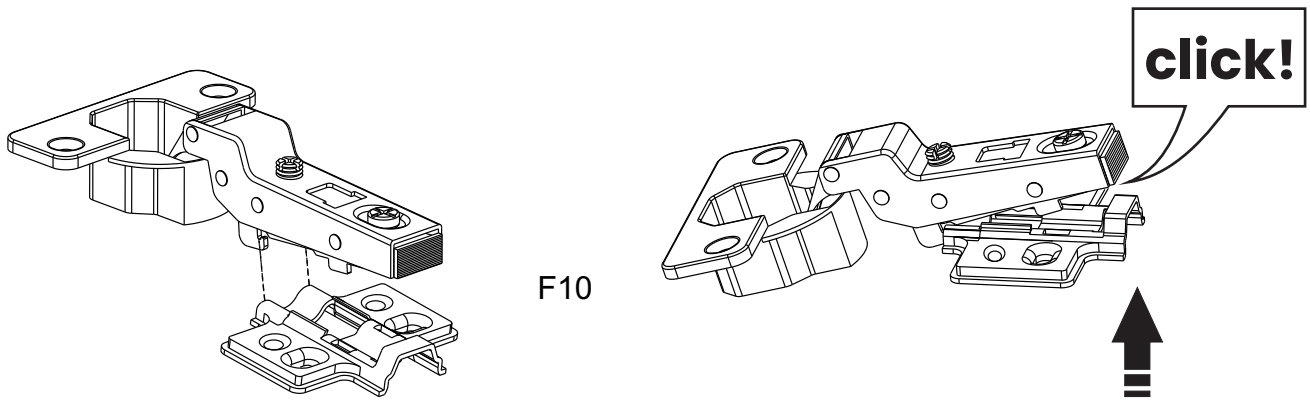


08)

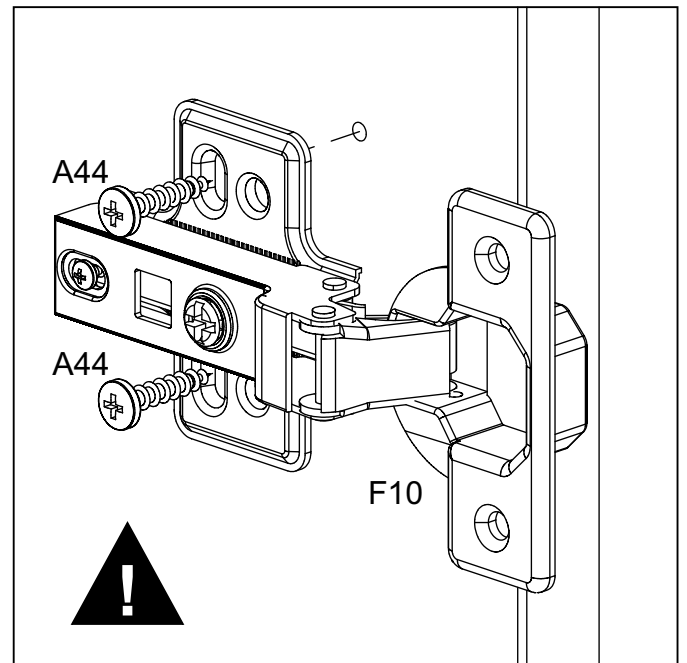
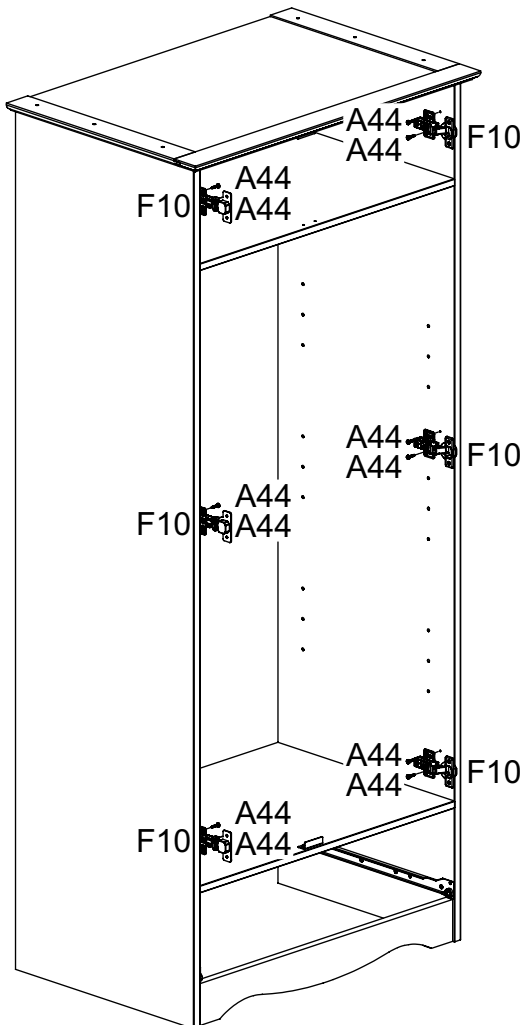


09)

Attach hinge (F10) to hinge plate if it comes separated.
Push hinge against plate until it clicks.



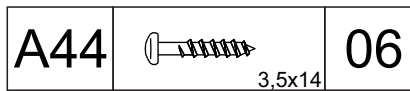
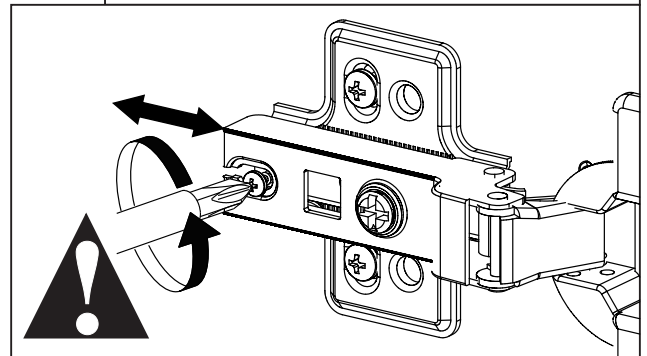
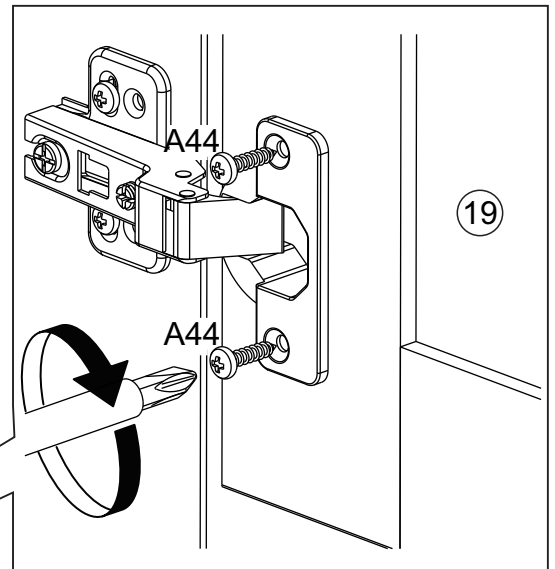
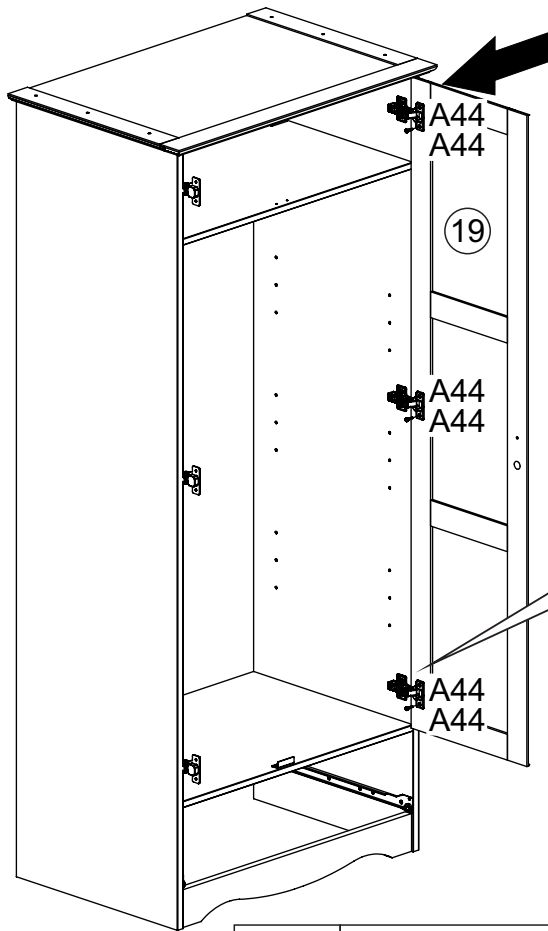
10)



A44		12	F10		06
-----	---	----	-----	---	----

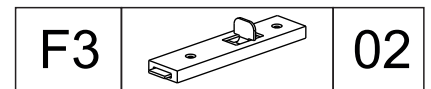
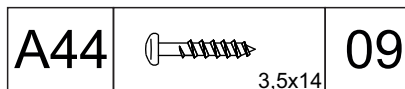
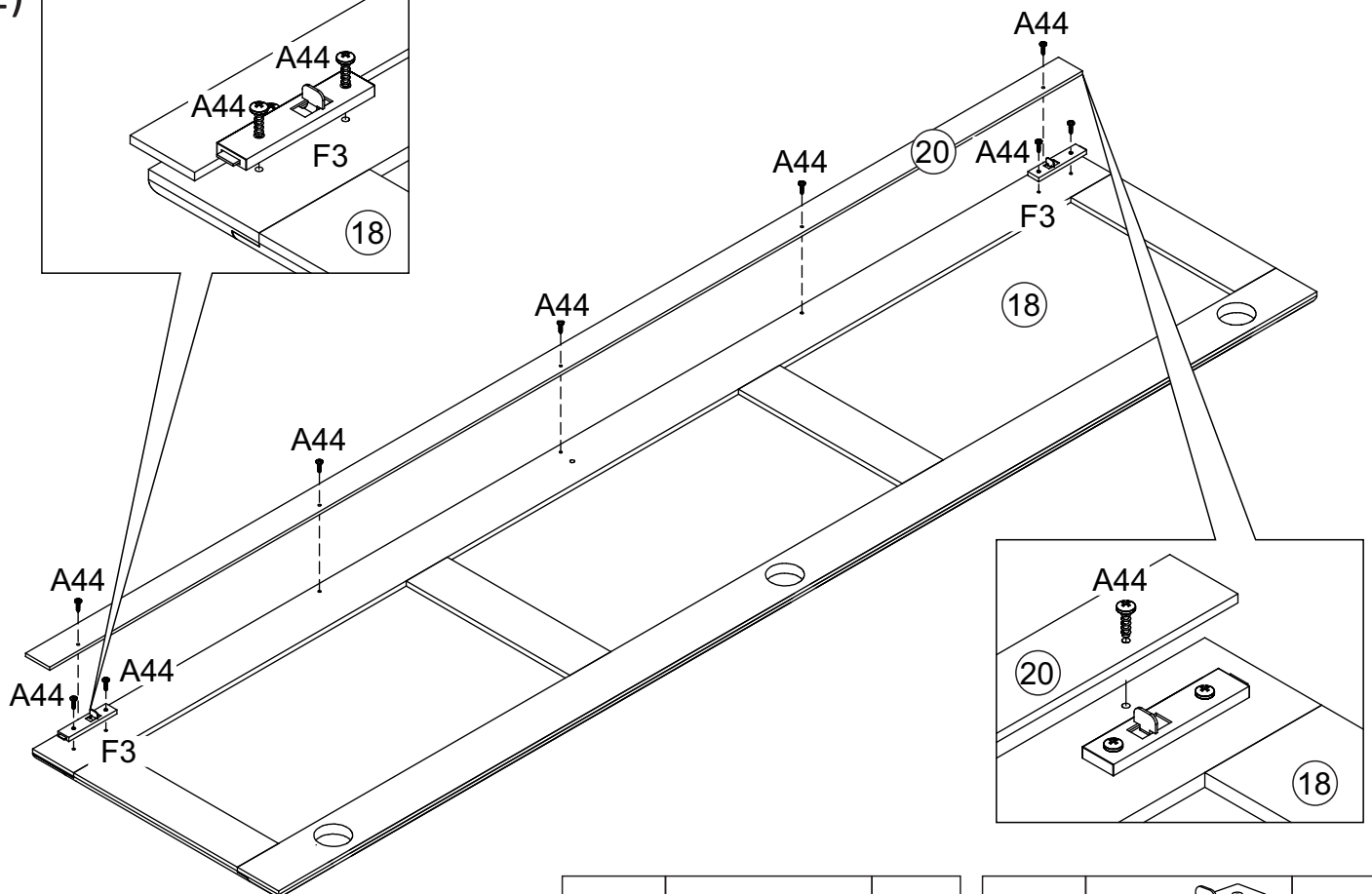
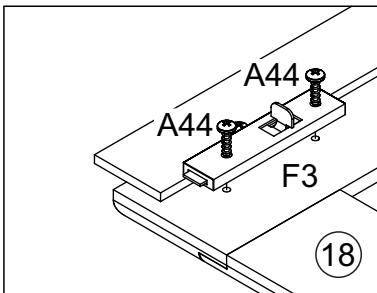
3,5x14

11)

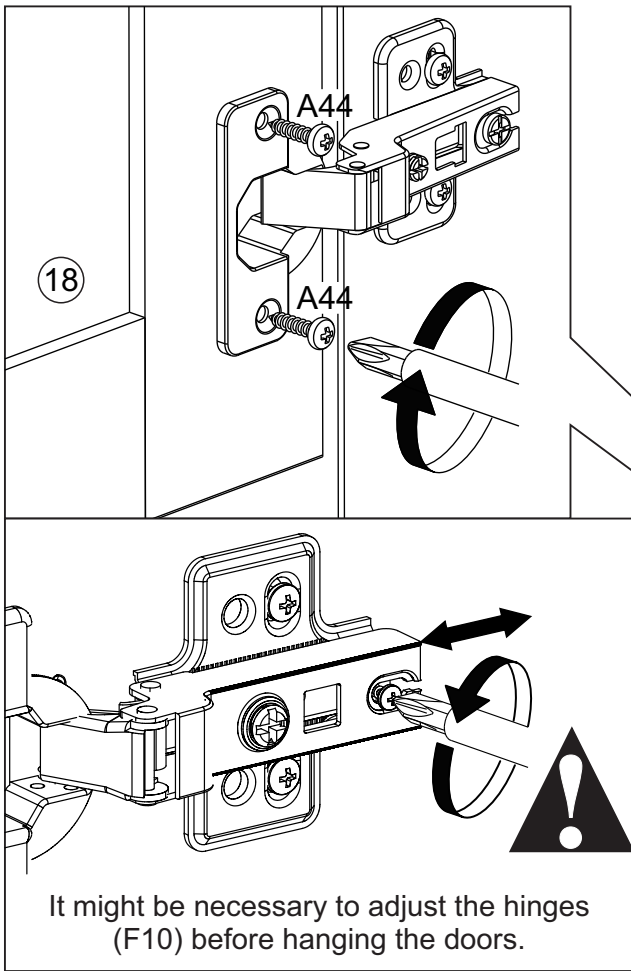


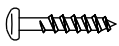
It might be necessary to adjust the hinges (F10) before hanging the doors.

12)

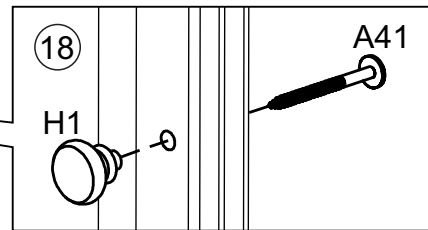
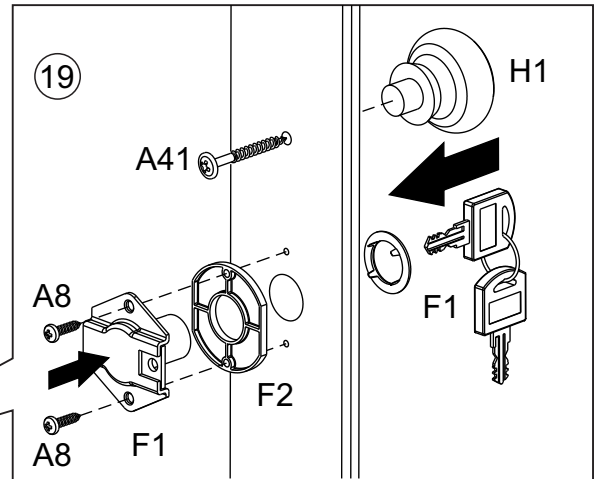
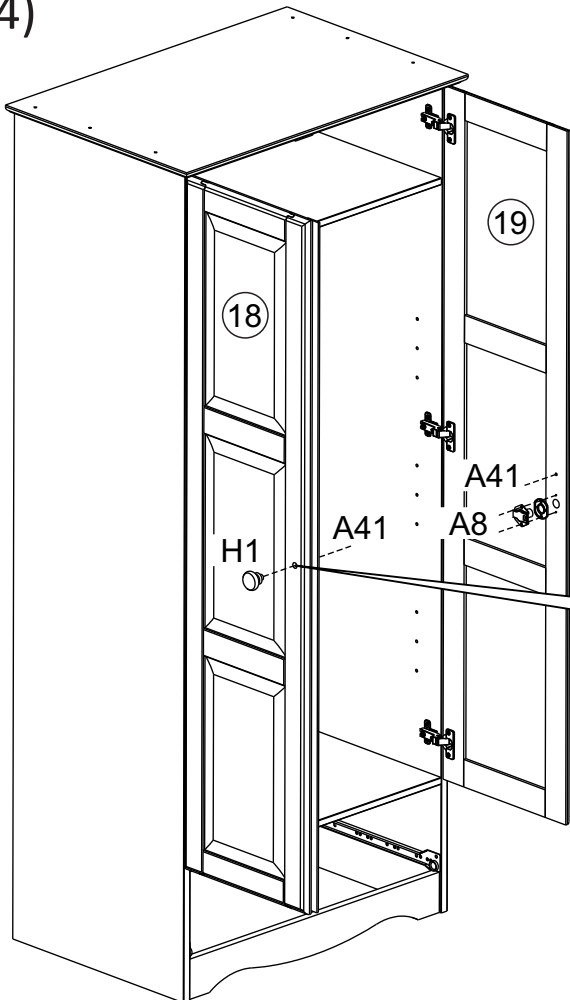


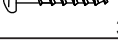
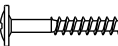
13)






A44		06
	3,5x14	

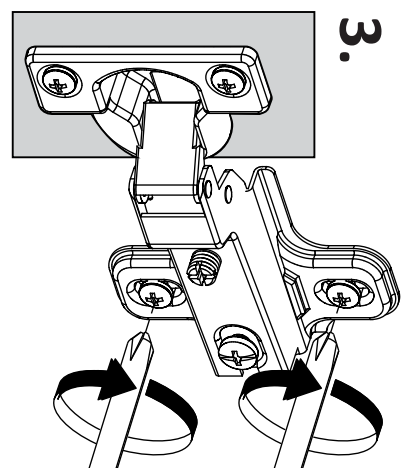
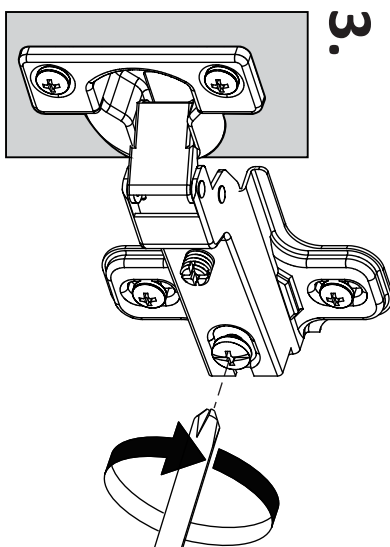
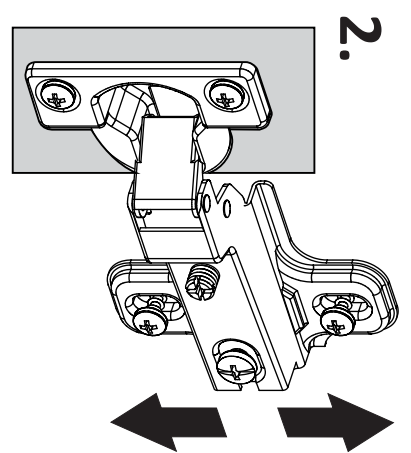
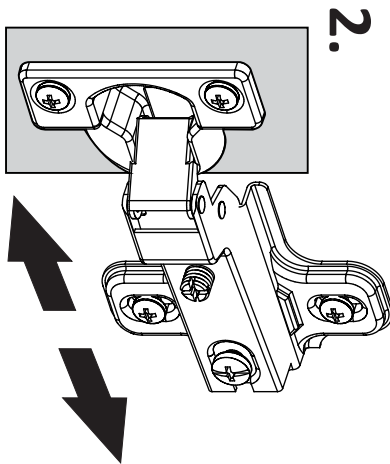
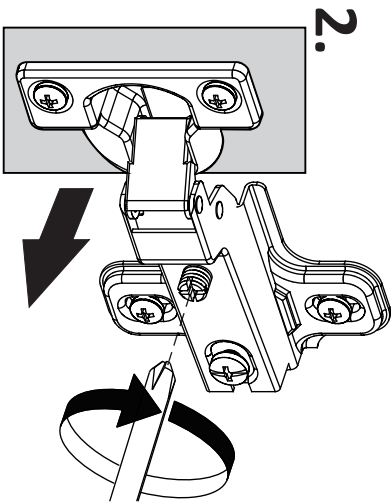
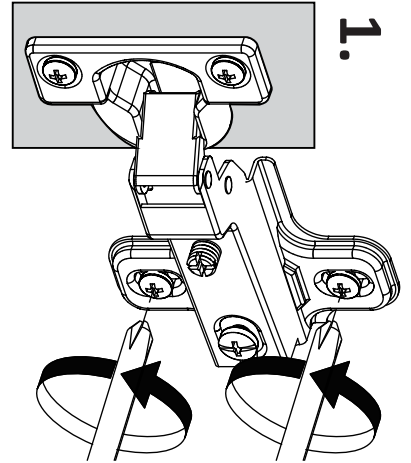
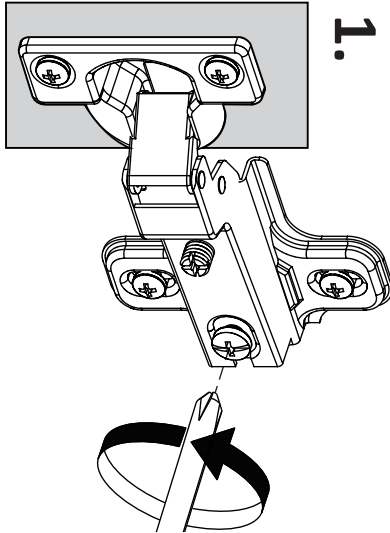
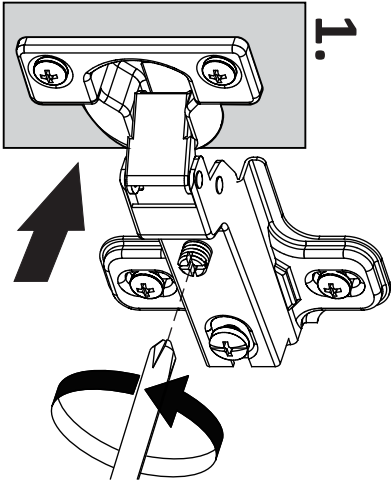
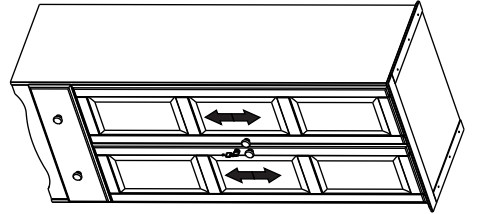
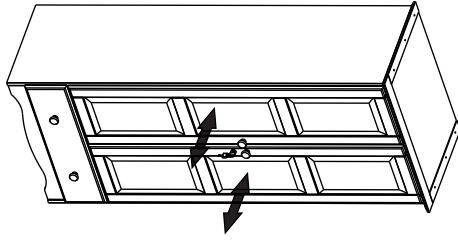
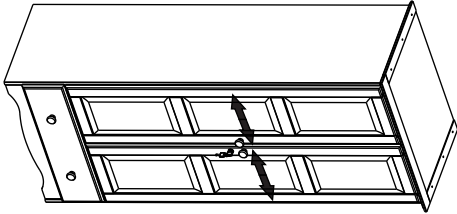
14)



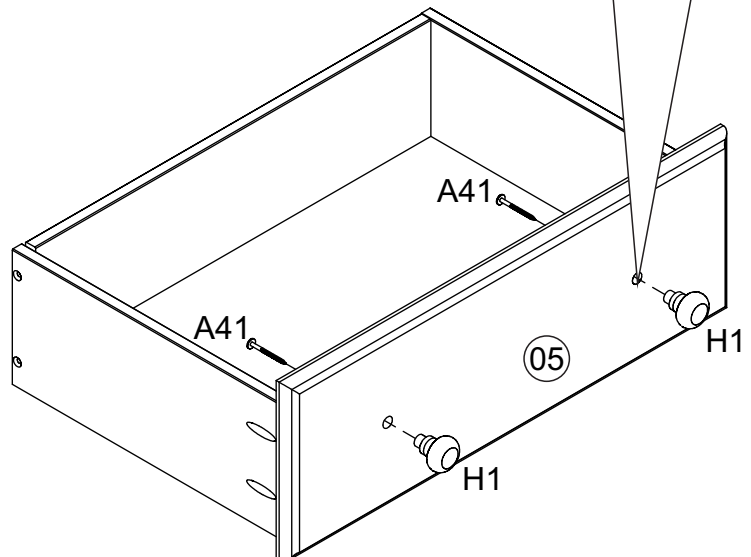
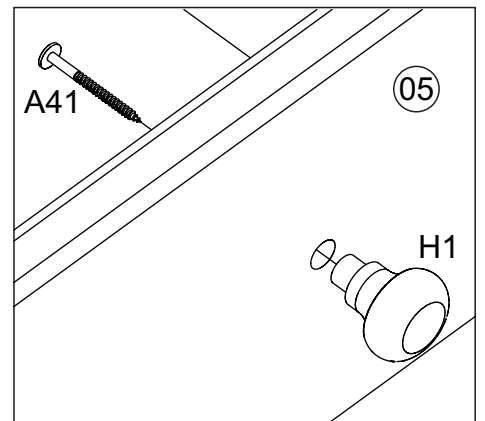
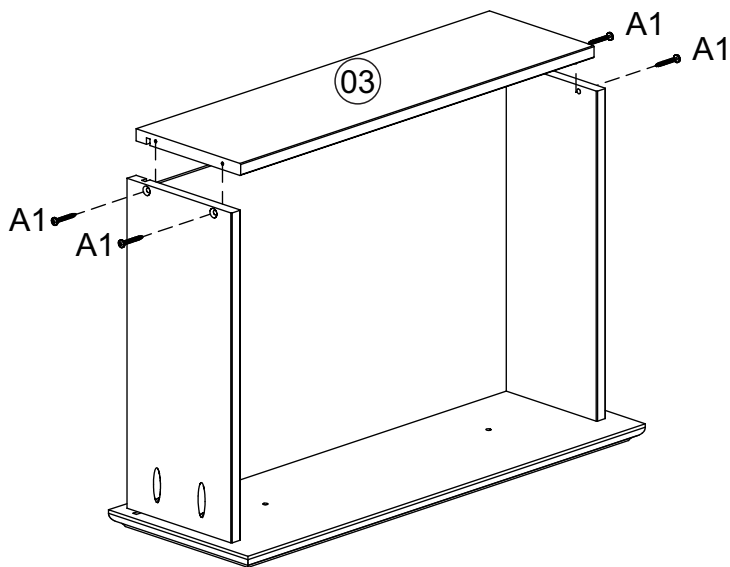
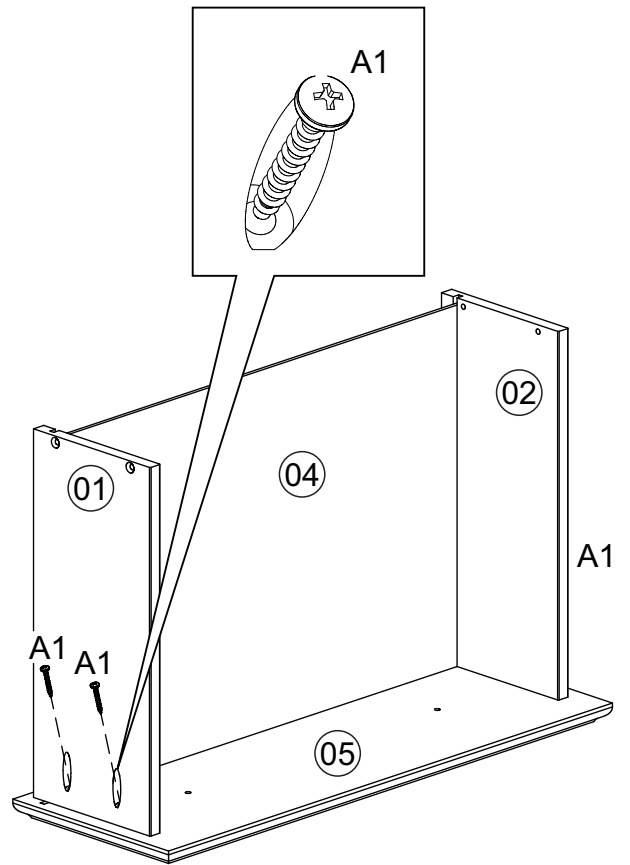
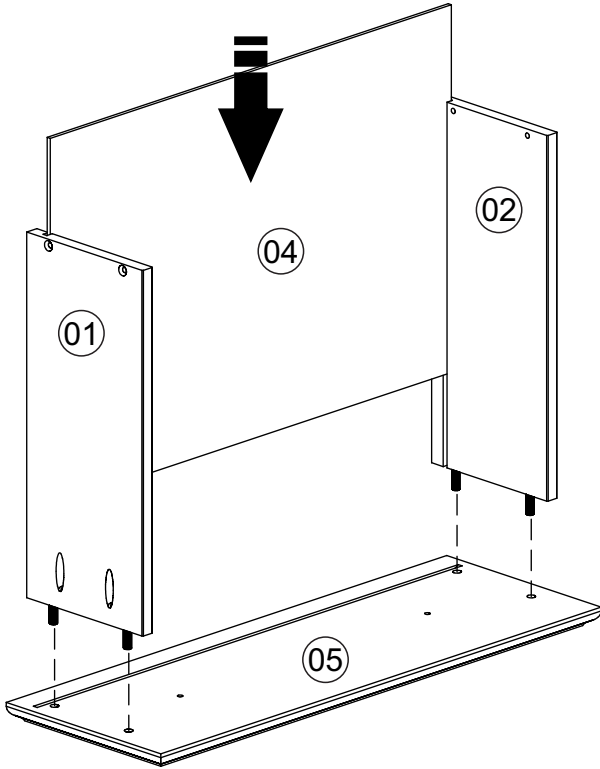
A8		02
	3,0x20	
A41		02
	4,0x30	




F1		01
F2		01
H1		02

15) HINGE ADJUSTMENT GUIDE

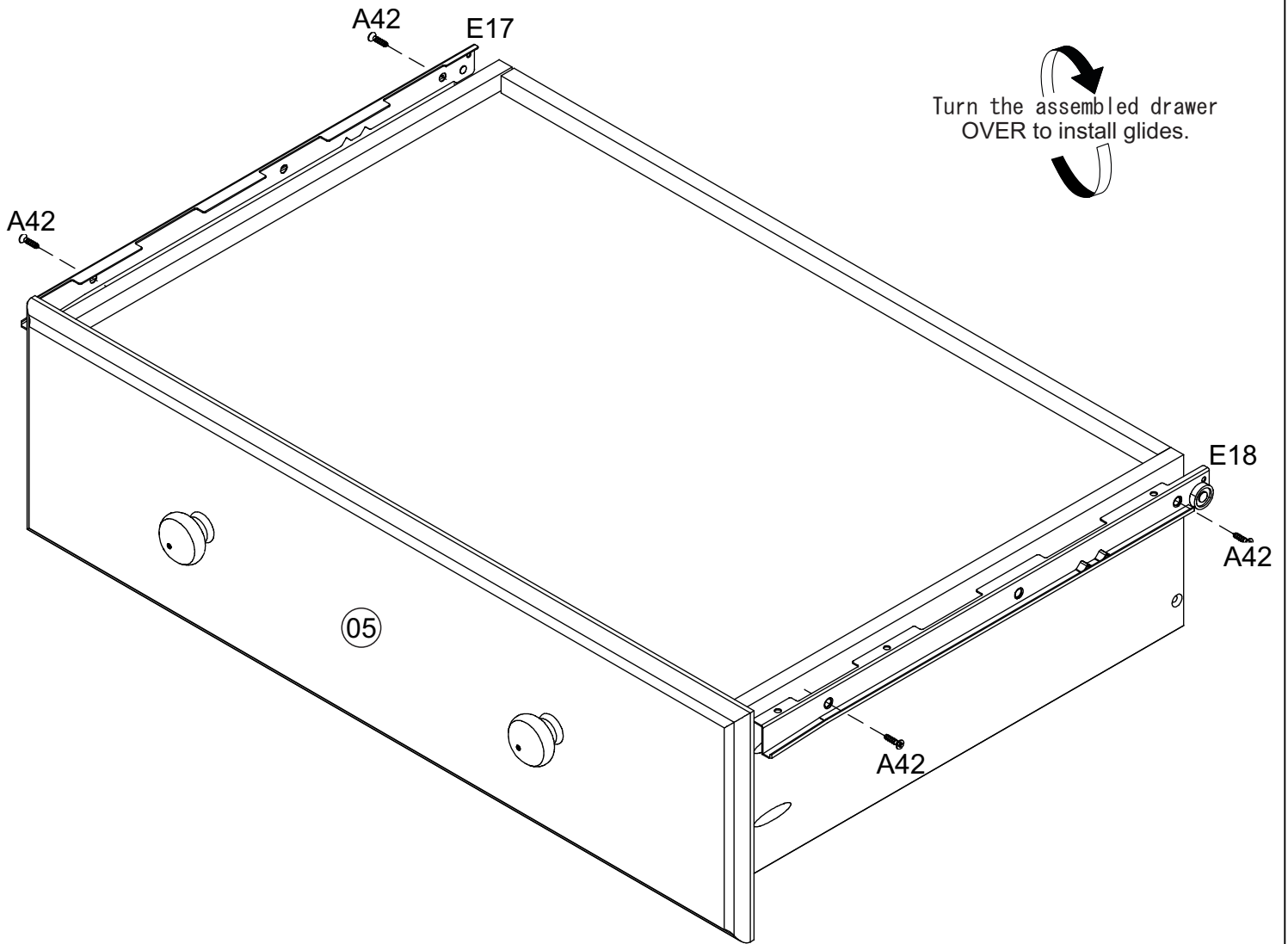
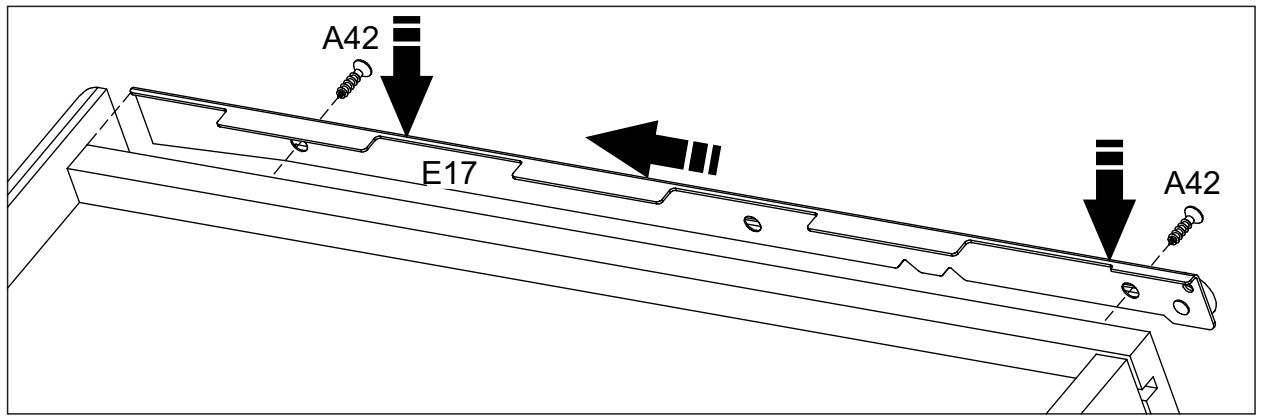


16)

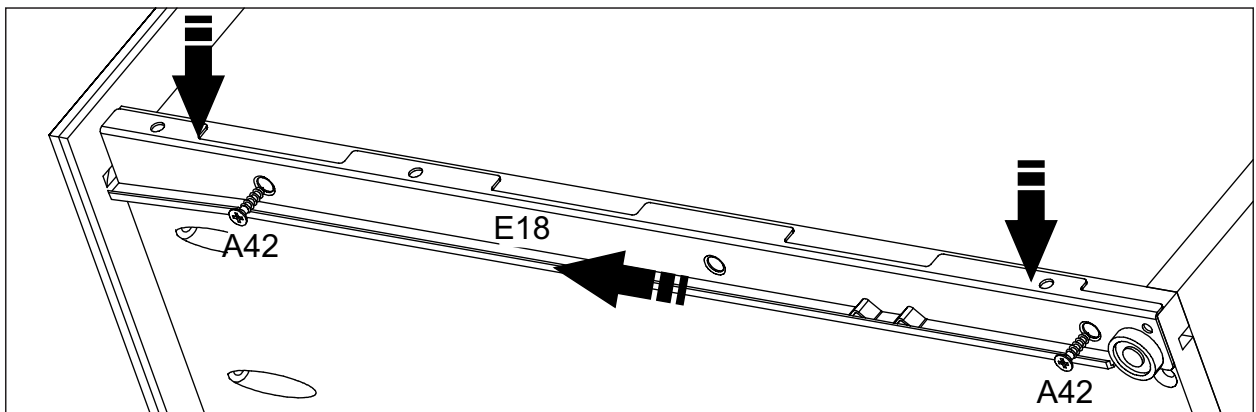



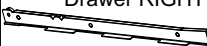
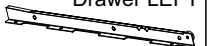
A1	 4.0x30	08
A41	 4.0x30	02
H1		02

17)

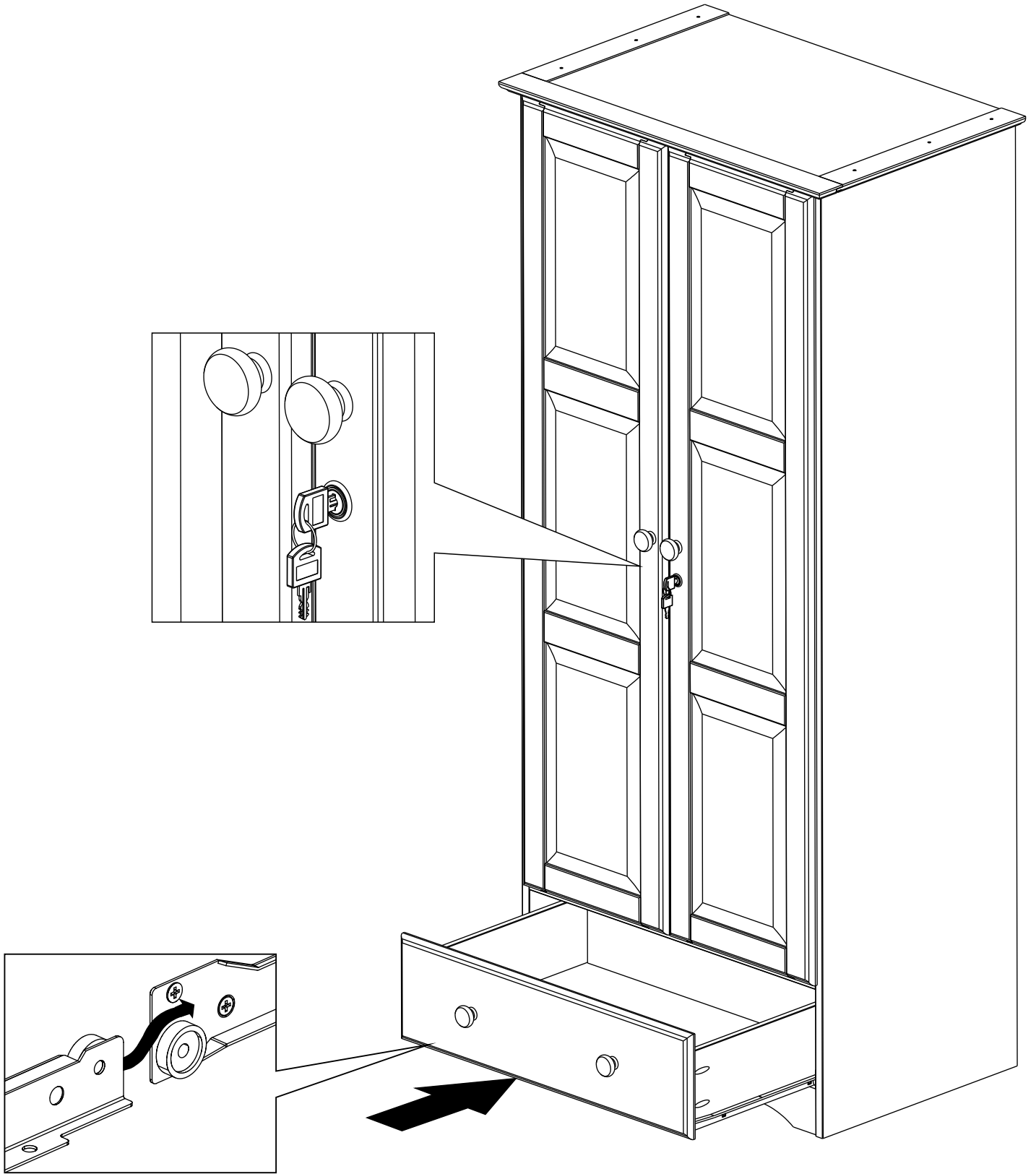


Turn the assembled drawer
OVER to install glides.

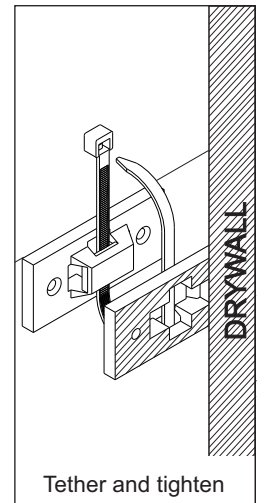
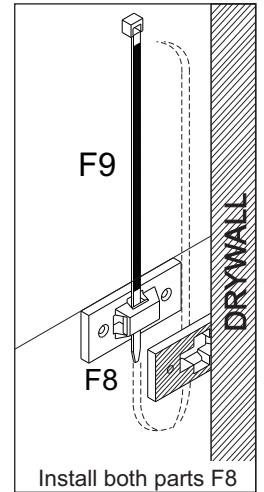
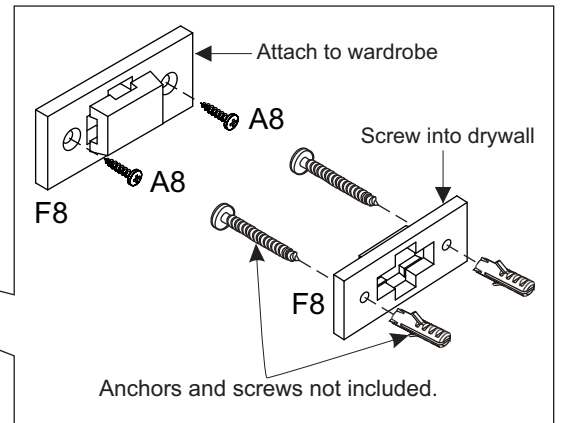
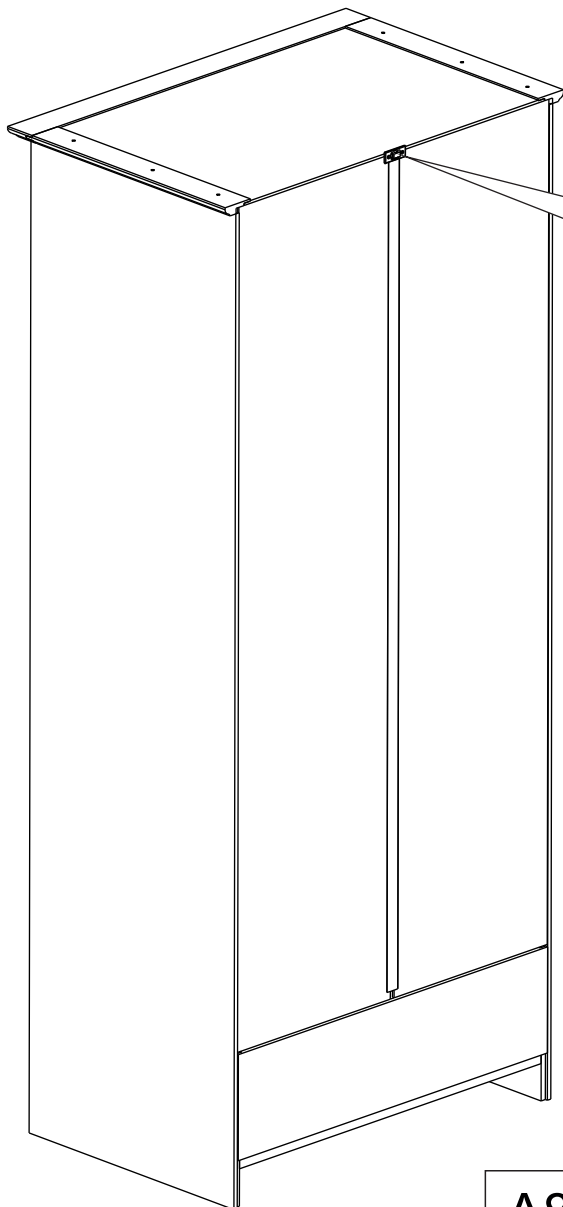
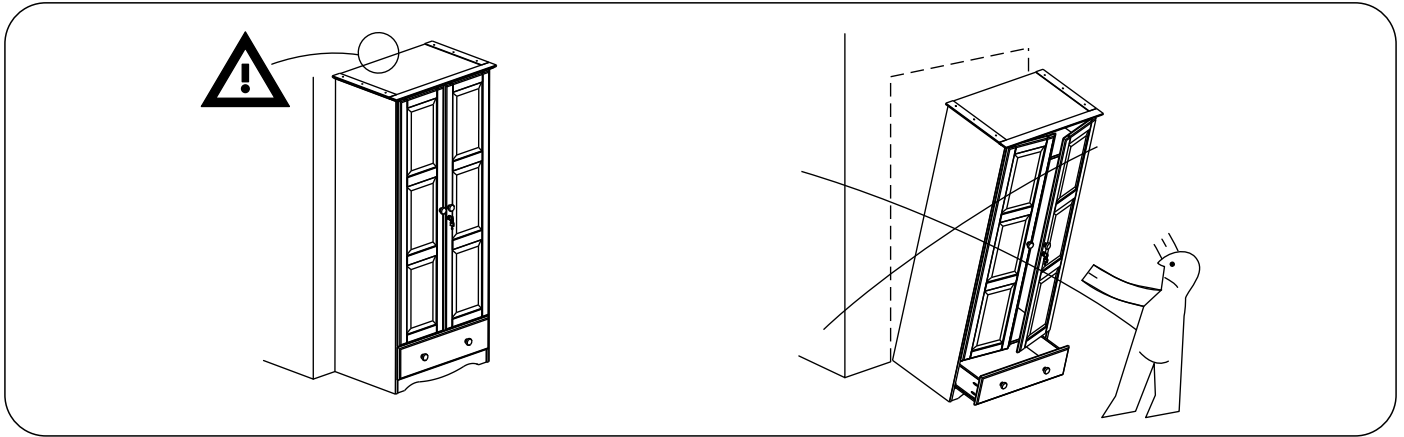



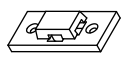

A42	 4,0x14	04	E17	 Drawer RIGHT 450mm - 17 3/4"	01	E18	 Drawer LEFT 450mm - 17 3/4"	01
-----	---	----	-----	--	----	-----	---	----

18)



19) FURNITURE TIPOVER PREVENTION KIT INSTALLATION



A8	 3.0x20	02
F8		02
F9		01