

PSOL2 - Patilo Sunny Solar PIR wall Light.



Installation notes

Mount luminaire in the desired location ensuring maximum sun exposure.

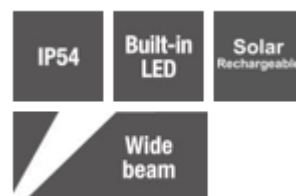
Mode 1 – Sensor mode + light on, dims to 10% light level after 15 seconds of inactivity.

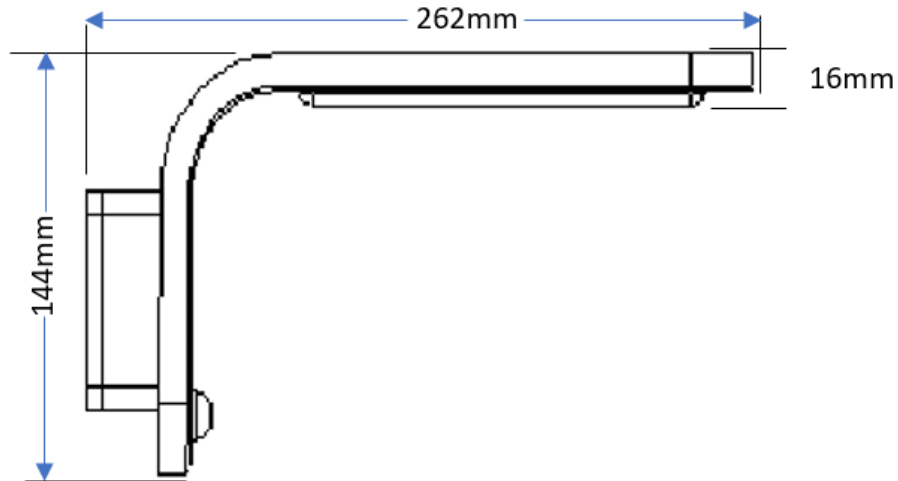
Mode 2 – Sensor mode + light off, light off after 15 seconds of inactivity.

Refer to the instruction manual for further guidance.

Note – Solar charge time: 6 hours.

Part code	PSOL2
Diffuser	Clear
Dimensions (mm)	262x144x16
Construction	Aluminium/Polycarbonate
Finish	Black powder coat
Class	Class III
IP rating	IP54
Wattage	3w
Lumen Output	320lm
CCT	3000K
Charge time	6 Hours
Battery life	Up to 8 Hours
Battery type	4400mAh Lithium battery
Lamp included	Yes, non-replaceable
Dimmable	See “ Modes ” in installation notes
Voltage	3.7V
Net weight (g)	855
Gross weight (g)	870
Warranty	2 Years
Manufactured in accordance with	BS EN 60598
Origin of manufacture	PRC





2 YEAR WARRANTY

Exclusions: Damage by machinery, animals or the use of incorrect cleaning materials. Corrosion due to exposure to salt or chlorine. Damage due to incorrect installation practices. Responsibility for 3rd party cost; indirect or consequential loss.