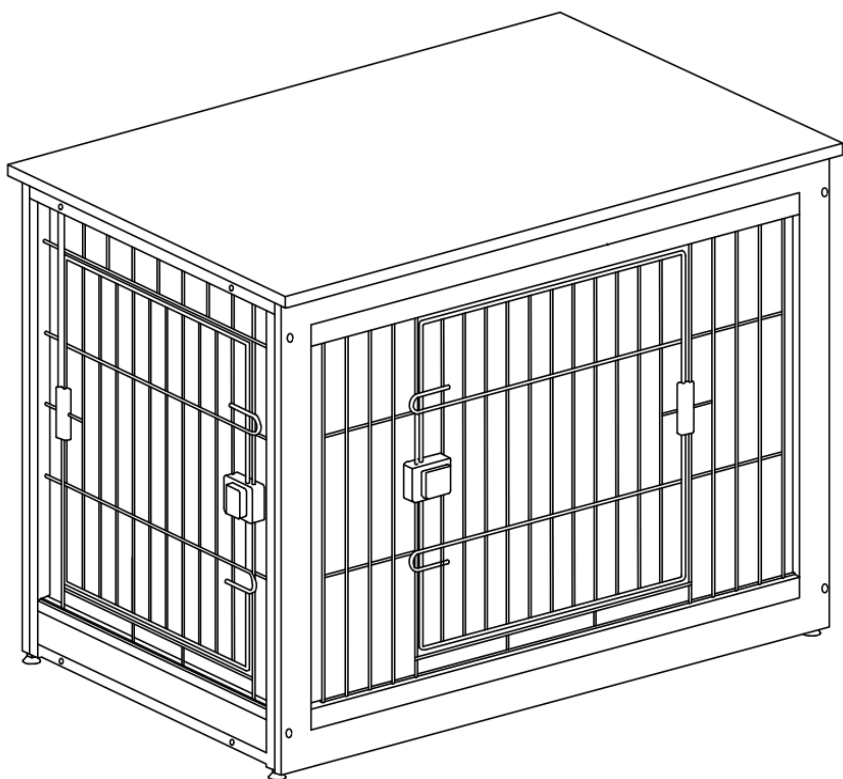


# Home Wooden Pet Crate instruction manual



# Thank you for shopping with us!

To enable you to install or use this product better, please read carefully the dos and don'ts and detailed functional instructions mentioned in this manual before you officially use this product.


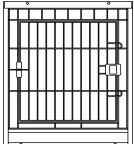
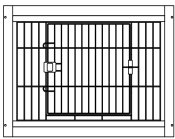
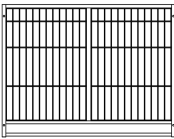

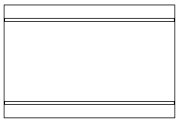
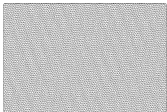

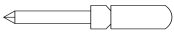

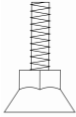
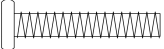
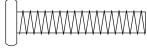
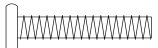
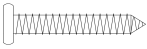
I hope you have a good experience!

## Assembly Guide

This assembly guide includes the Part List, Installation Steps and Warning Tips.

The item may be shipped into shipped in one box to facilitate transportation, and please Understand that sometimes packages may not arrive at the same time. Please check your Once you receive the package. If you have any questions or concerns, please email us at

## Parts list

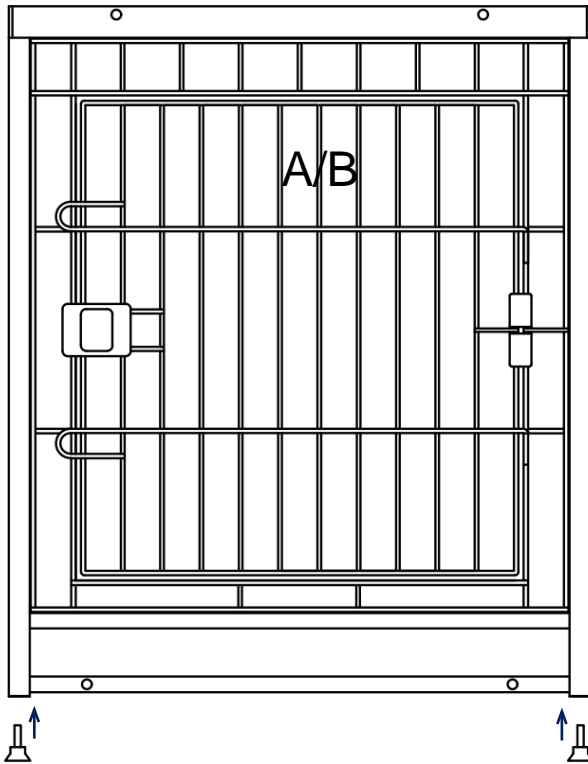
<b>A.Right side panel</b>  1PCS	<b>B.left side panel</b>  1PCS	<b>C.Back panel</b>  1PCS	<b>D.Front panel</b>  1PCS
<b>E.top plate</b>  1PCS	<b>F.bottom plate</b>  1PCS	<b>G.Cotton pads</b>  1PCS	<b>H.Top plate mounted square tube</b>  2PCS
<b>I.screwdriver</b>  1PCS <b>J.spanners</b>  1PCS	<b>K</b>  Adjustable foot pads 4PCS  M6*35mmScrews 8PCS  M6*25mmScrews 4PCS  M6*30mmScrews 8PCS  M4*25mmScrews 4PCS		

# Installing

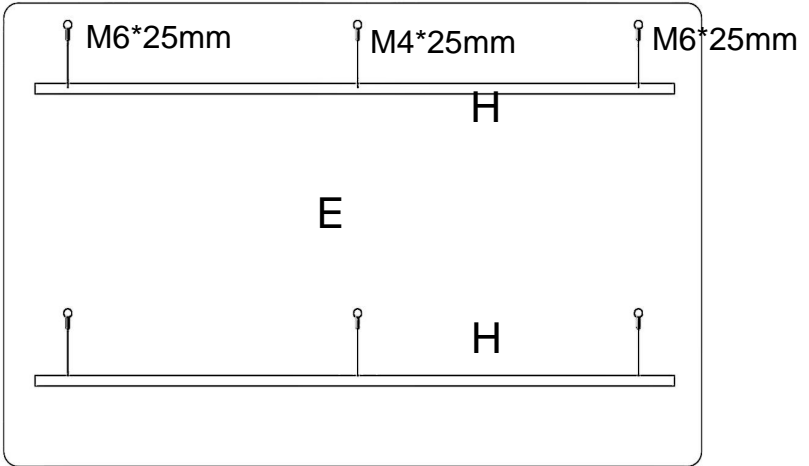
Check for missing or damaged parts.

Ensure that the parts and quantities in the package comply with the Spare Parts List. If any mistakes, Contact us on the Buy platform.

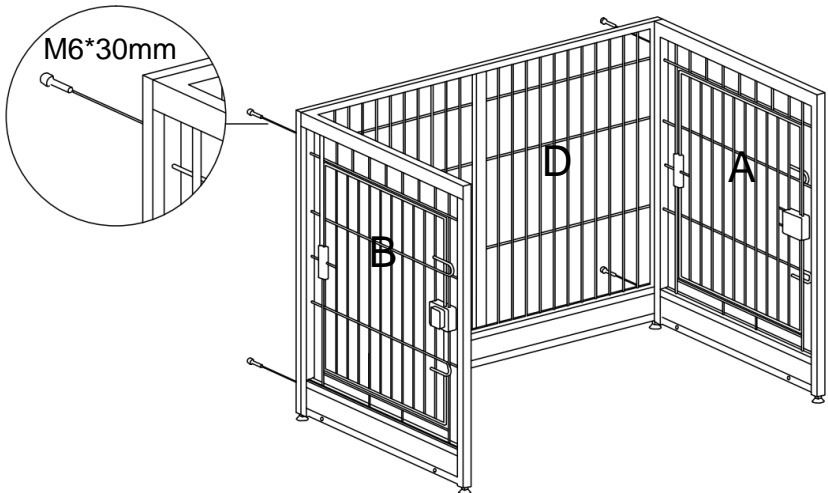
**Step 1.** First, install the adjusting foot pad into the embedded nut under the side panel.



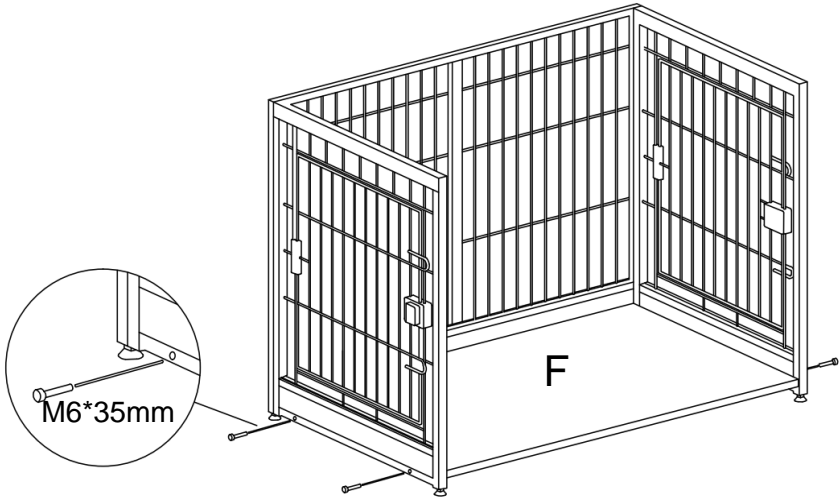
Step 2. First, install the top plate square pipe in the embedded nuts at both ends of the top plate with M6\*25 screws, and then reinforce the top plate square pipe with M4\*25 self-tapping.



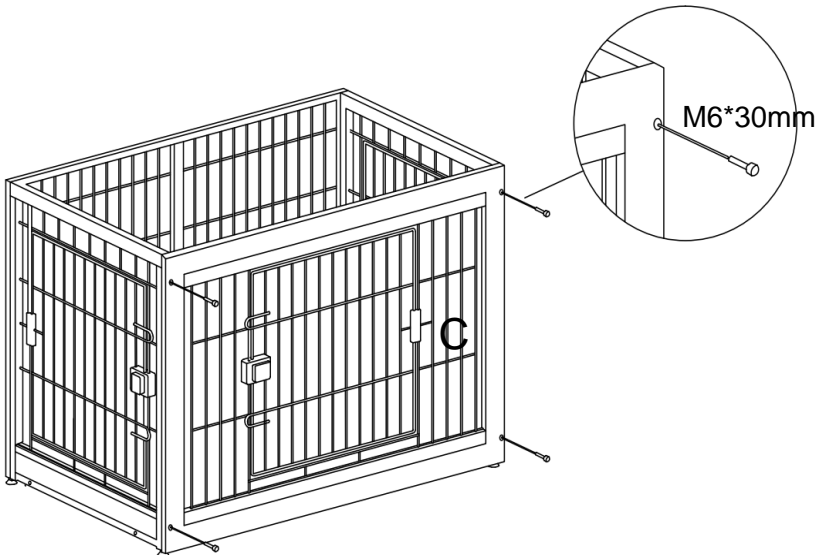
Step 3. Install the rear panel on the two side panels with M6\*30 screws.



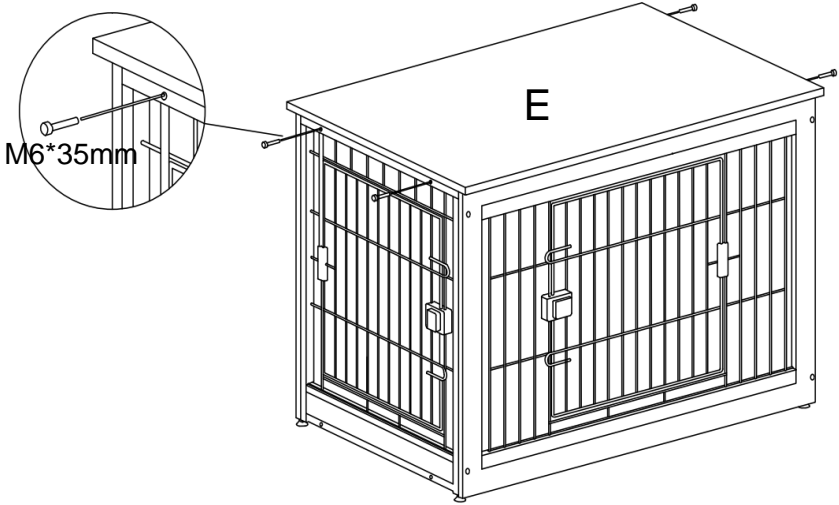
Step 4. Then use M6\*35 screws to fix the bottom plate below the side.



Step 5. Then install the front panel on the side panel with M6\*30 screws.



Step 6. Finally, put the top plate and fix it above the side sheet with M6\*35 screws, and then put the cotton pads.



## Security / Notice

- Fasten screws during initial assembly. Don't tighten the screws until The project has been fully assembled.
- Be aware that some parts are heavy and have sharp edges
- If any parts are lost, broken, damaged or worn out, stop using them before repair. made and/or factory replacement parts are installed.
- Confirm that all bolts, screws, and knobs are secured every 90 days
- Do not use the item in a manner inconsistent with the manufacturer's instructions. It could invalidate the product warranty.

## Warranty Guidelines

- Warranty period based on date of shipment from . For direct factory use Purchase or date of purchase from an an authorized reseller. Please save a copy of your purchase receipt.
- If the product or any associated parts are found to be defective or missing at the time of receipt, will repair or replace, at its option, the defective parts at no charge to the original purchaser. Replacement parts or repaired parts shall be covered for the remainder of the Original Limited Warranty Period. All shipping costs will be the responsibility of the seller.
- Continuous free technical support is provided, including online diagnosis and troubleshooting to users' problems, and come up with solutions in time. In order to process your claim, please upload a copy of your receipt along with AT LEAST 2 photos of the Troubled/damaged parts. Otherwise, supplier has the right to refuse to replace parts or Credit.
- If a warranty is required for missing or defective parts within 30 days of purchase, Consumers are responsible for parts and transportation costs.

reserves the right to the final interpretation of the warranty policy. For more information, please contact our customer service

What is not covered by this limited warranty?

- Item past the warranty.
- Products that has been subjected to abuse, overweight, accident, alteration, modification, tampering, vandalism, negligence, misuse, abrasive contact, faulty installation or lack of reasonable care.
- Does not include damage to the product contents, any person, or property. Normal and predictable service wear and tear.
- Parts damaged by improper installation or assembly.
- Damage caused by natural acts, i.e. hurricanes, tornadoes, winds, floods, snow, Wind driven debris, etc.
- No third-party labor or installation costs of any kind can be recovered under warranty.
- Other circumstances stipulated by law.