
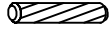


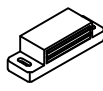
(A) 28PC



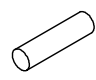
(B) 28PC



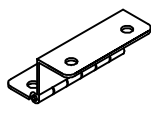
(C) 8PC



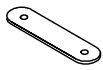
(D) 2PC




(E) 4PC



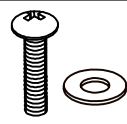
(F) 4PC



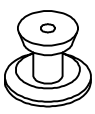
(G) 2PC




M3*12
(H) 28PC



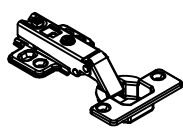
(I) 2PC



(J) 2PC

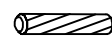
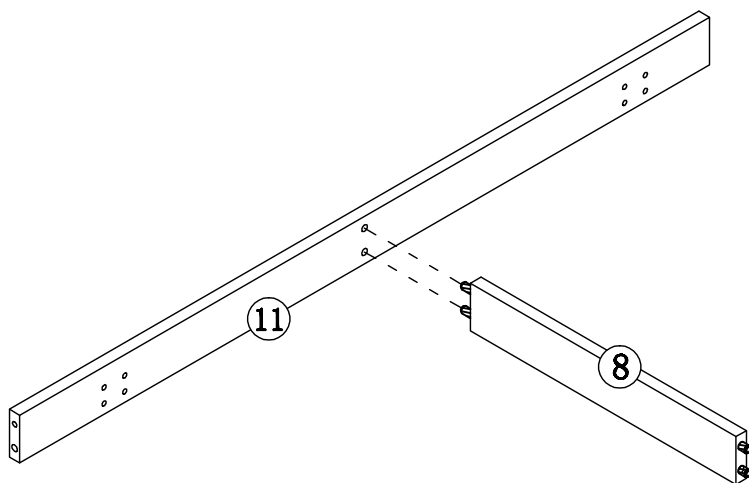
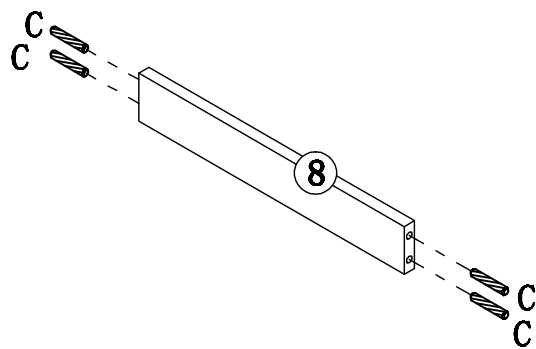


M4*14
(K) 12PC



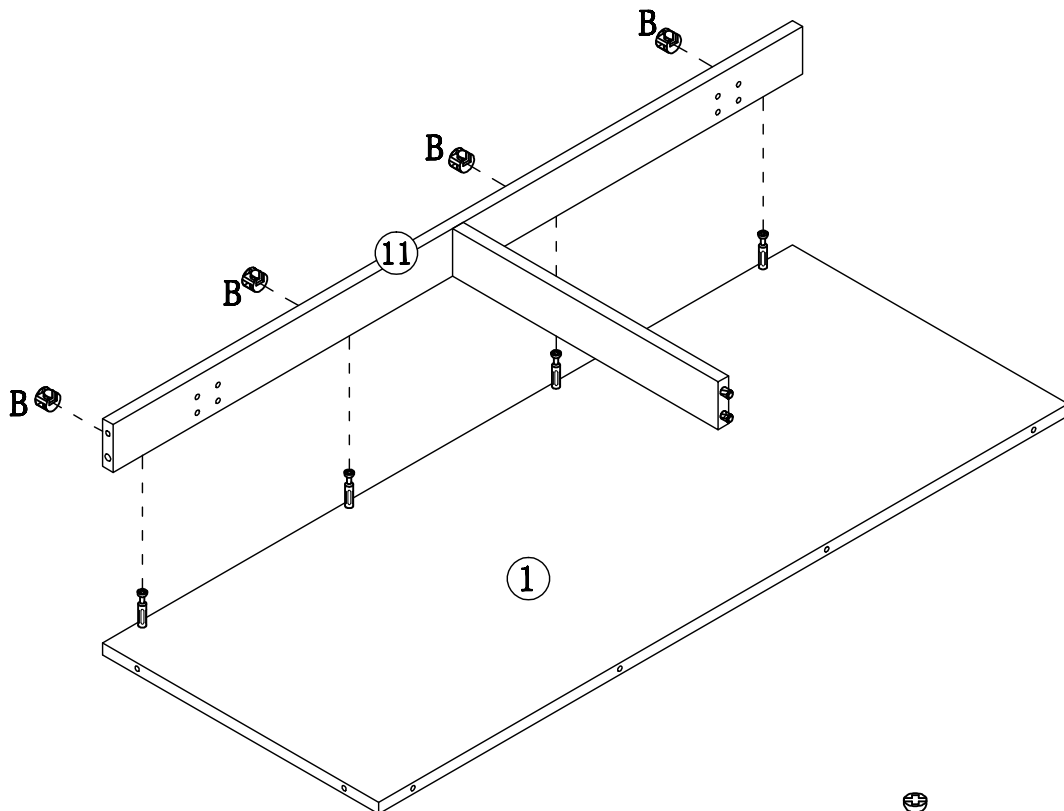
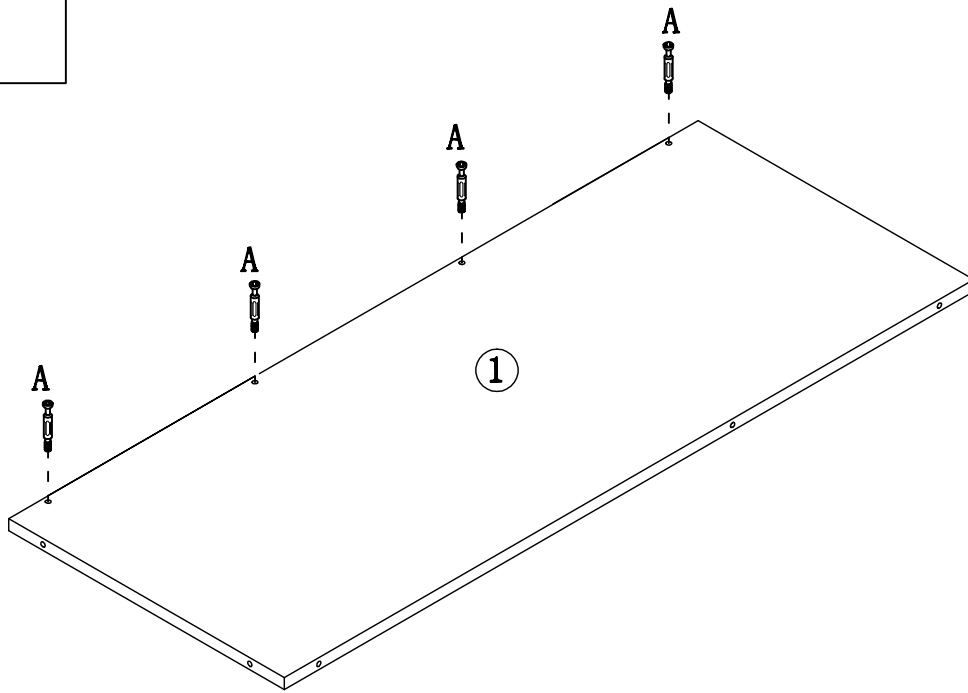
(L) 2PC

1



C*4

2

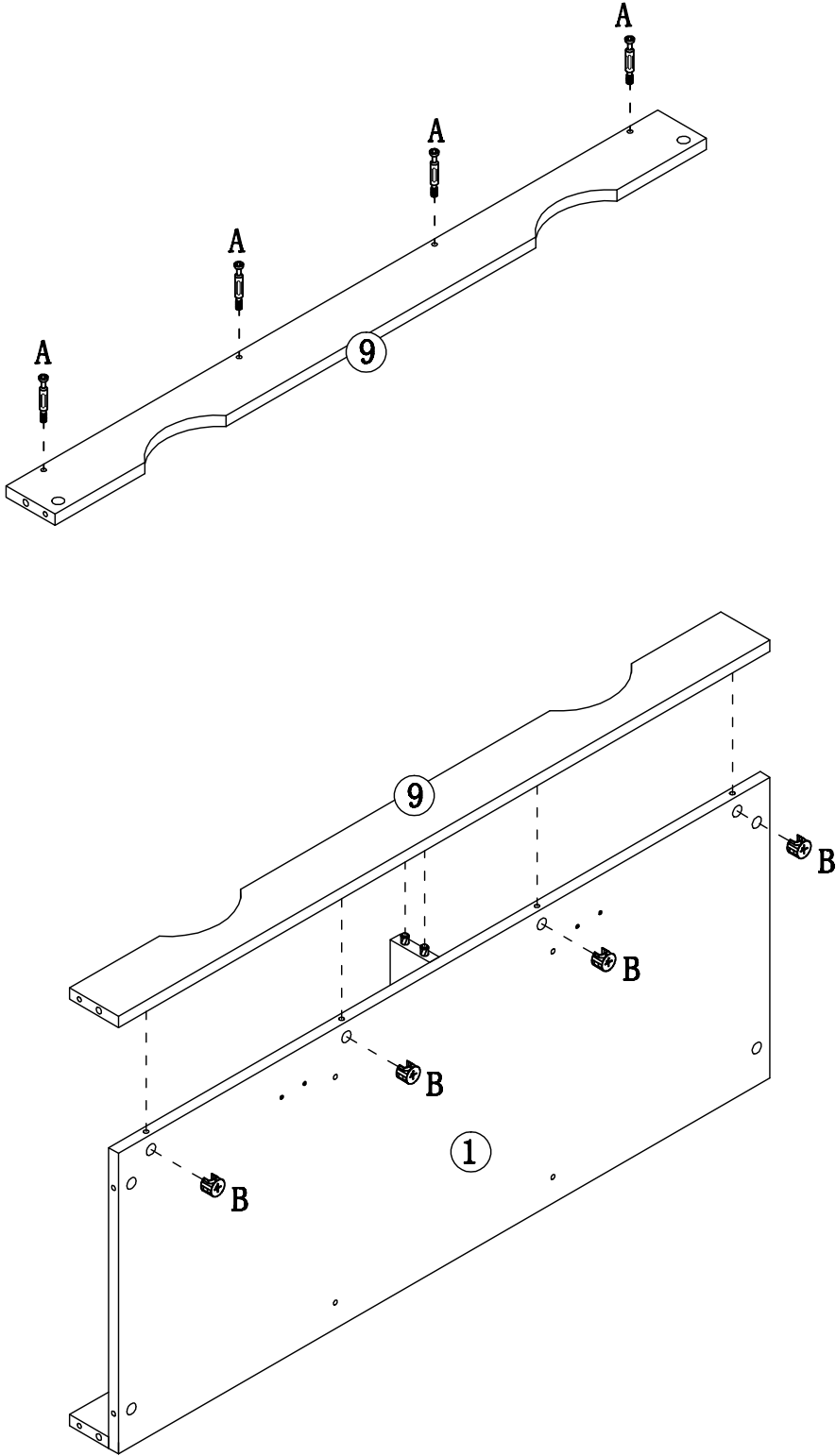


A*4



B*4

3

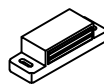
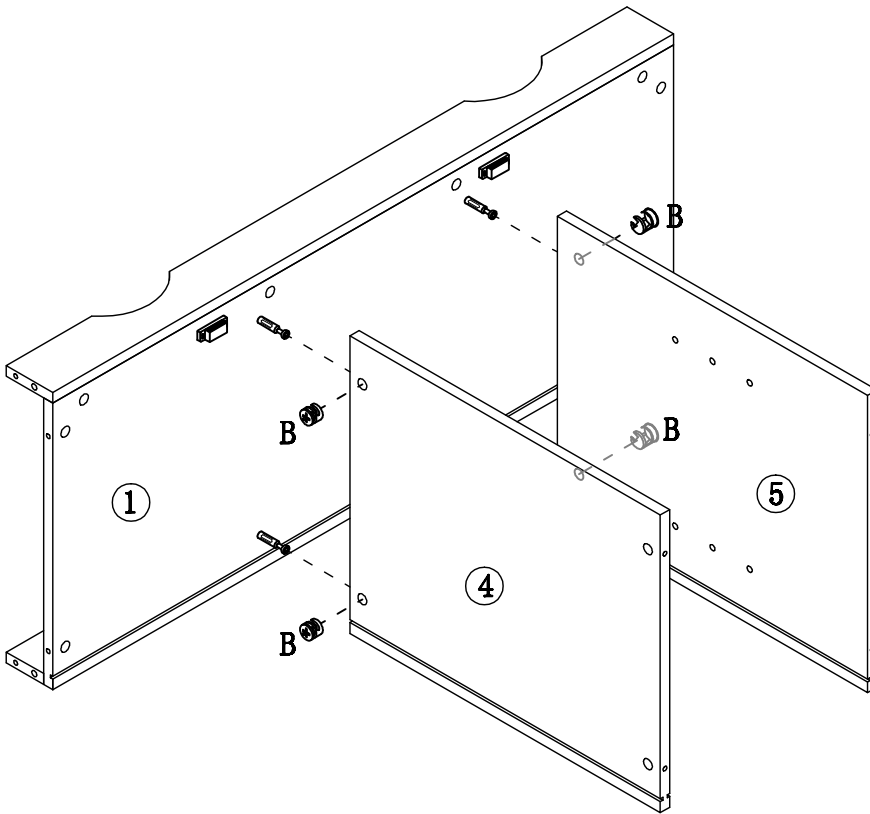
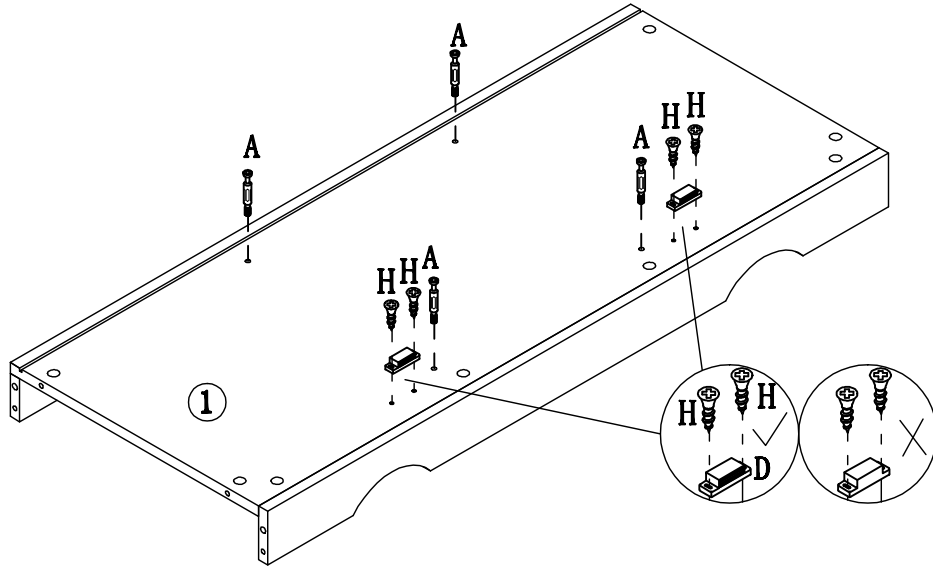


A*4



B*4

4



D*2



H*4

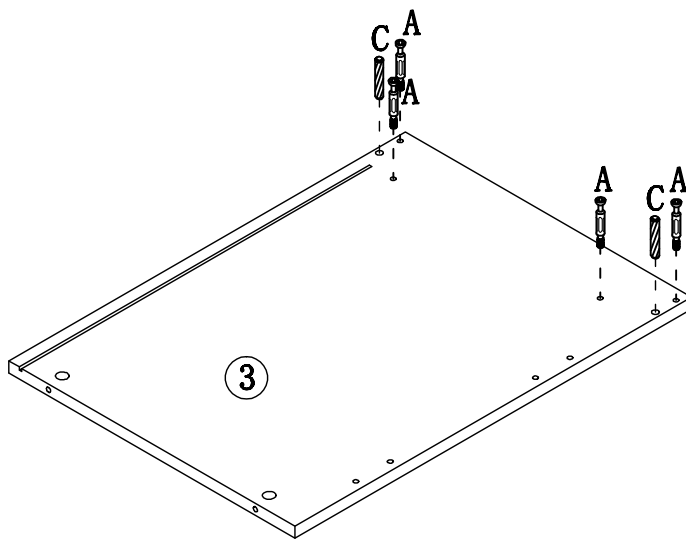
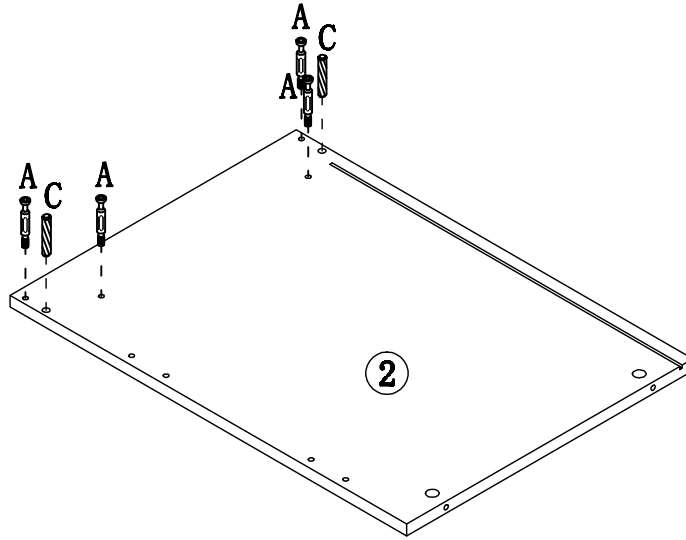


A*4

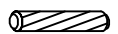


B*4

5

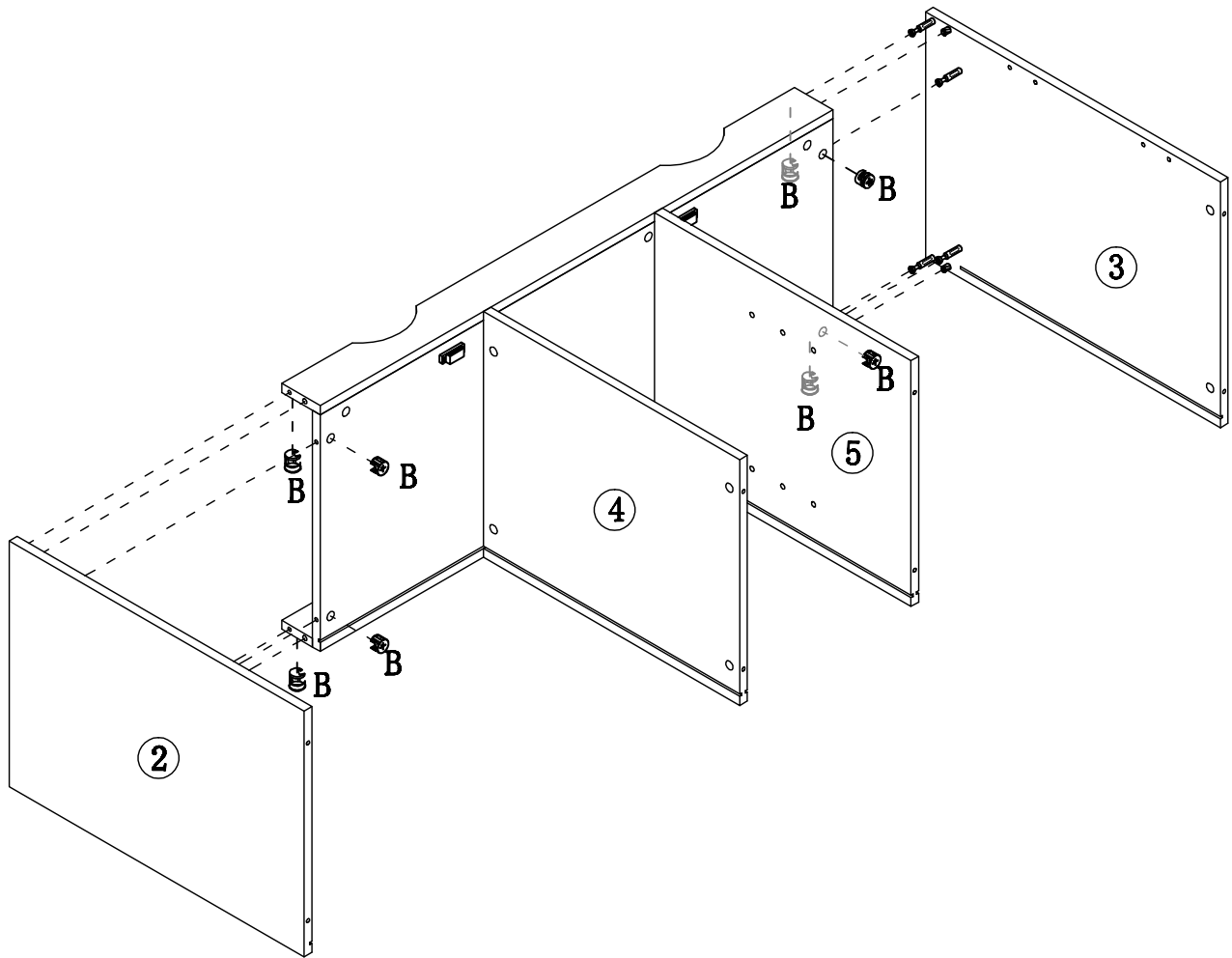


A*8



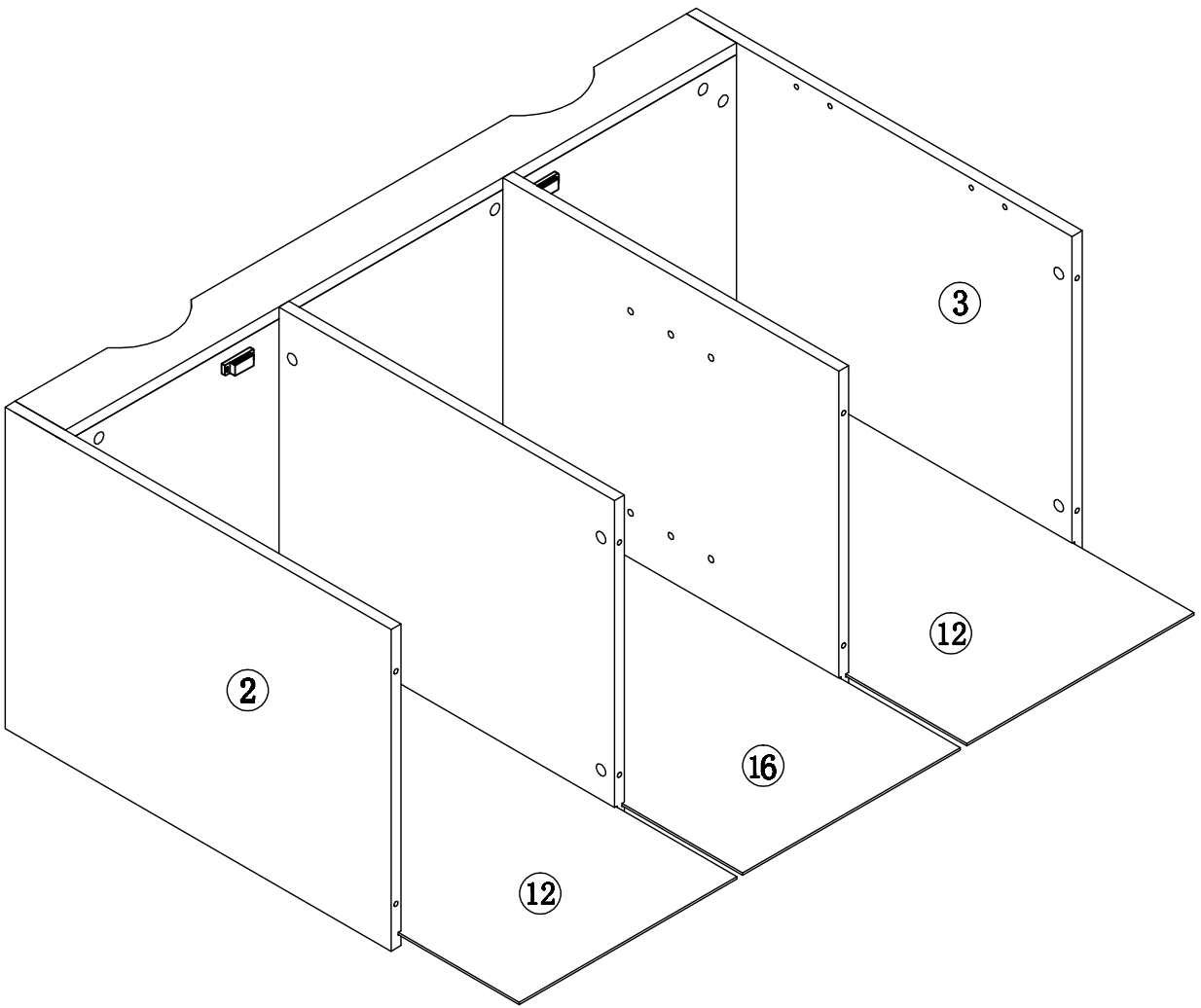
C*4

6

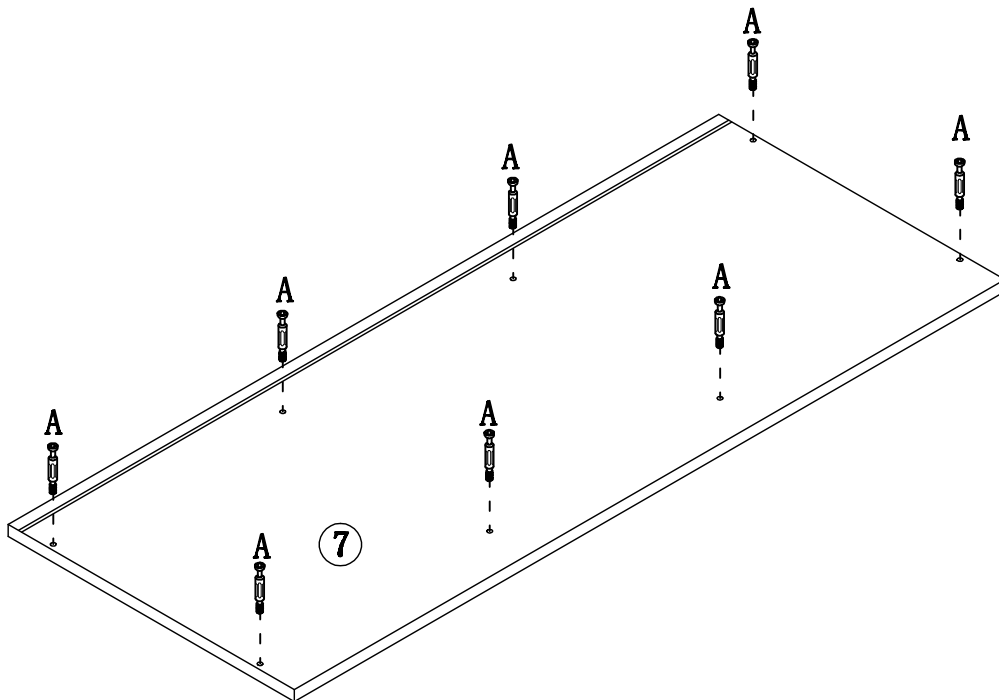
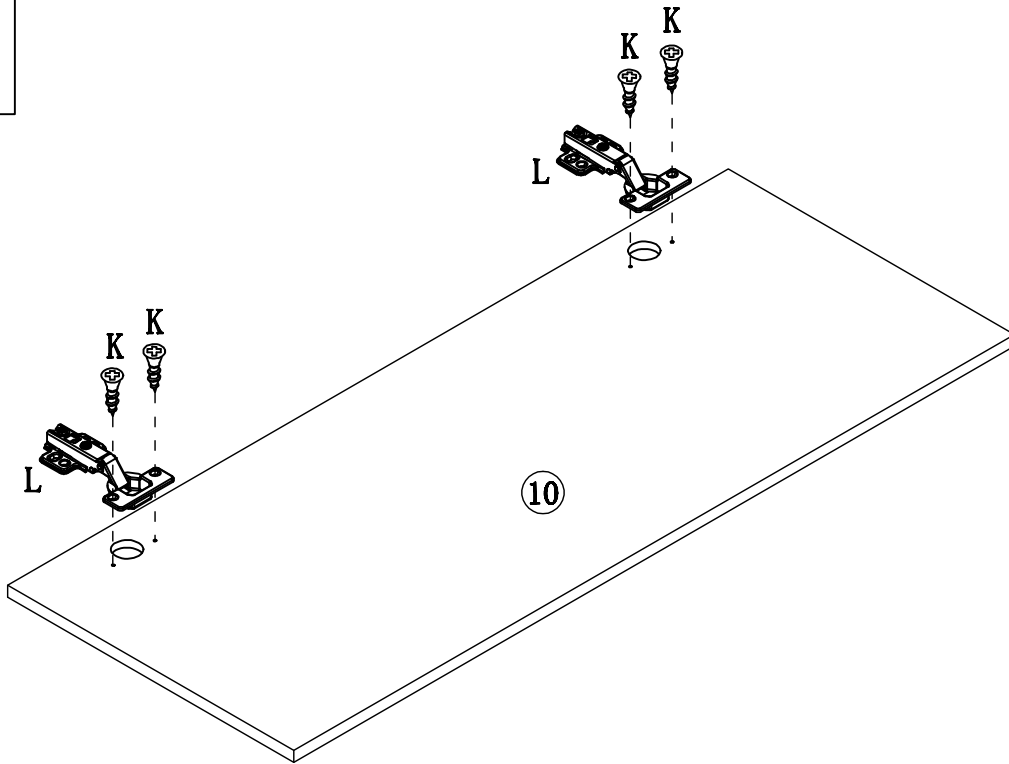


B*8

7



8



A*8

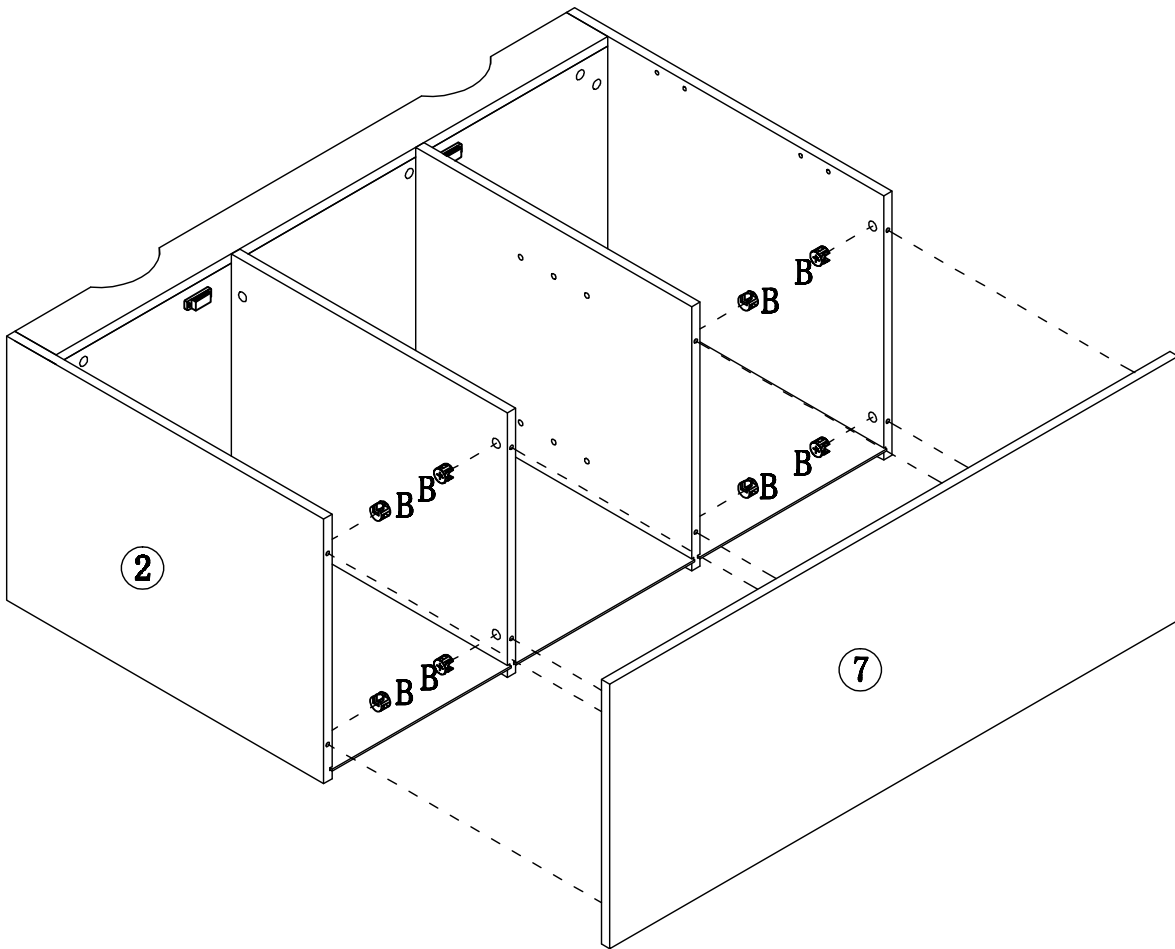


K*4



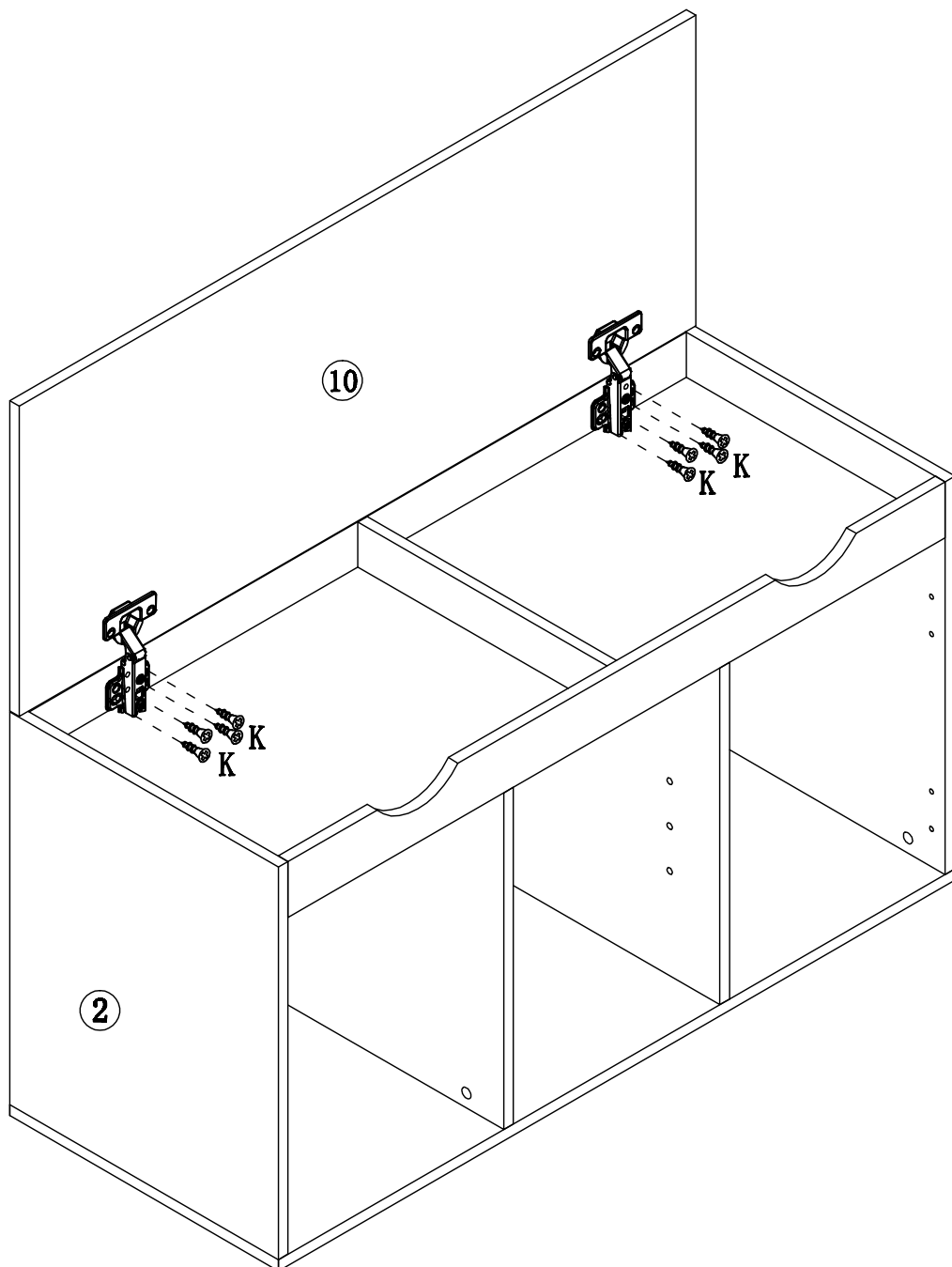
L*2

9

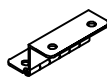
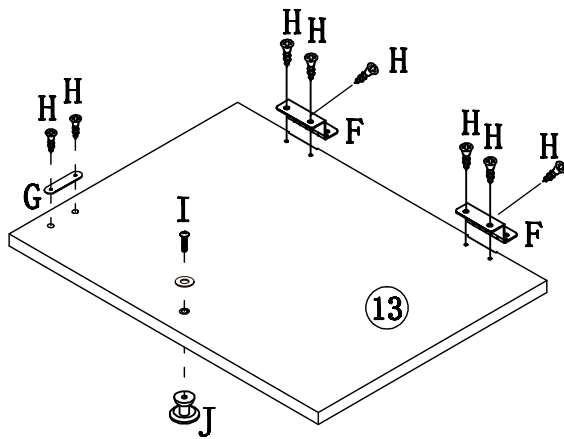
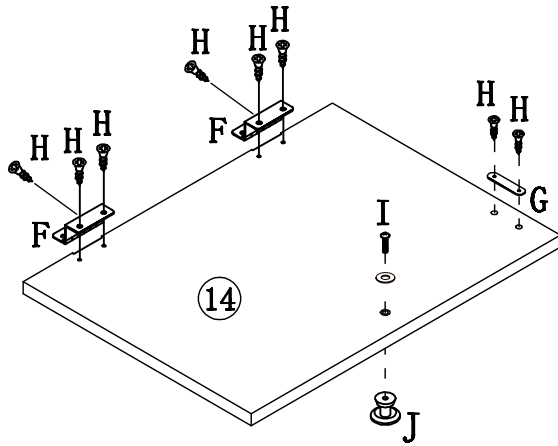


B*8

10



K*8



F*4



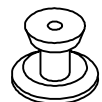
G*2



H*16

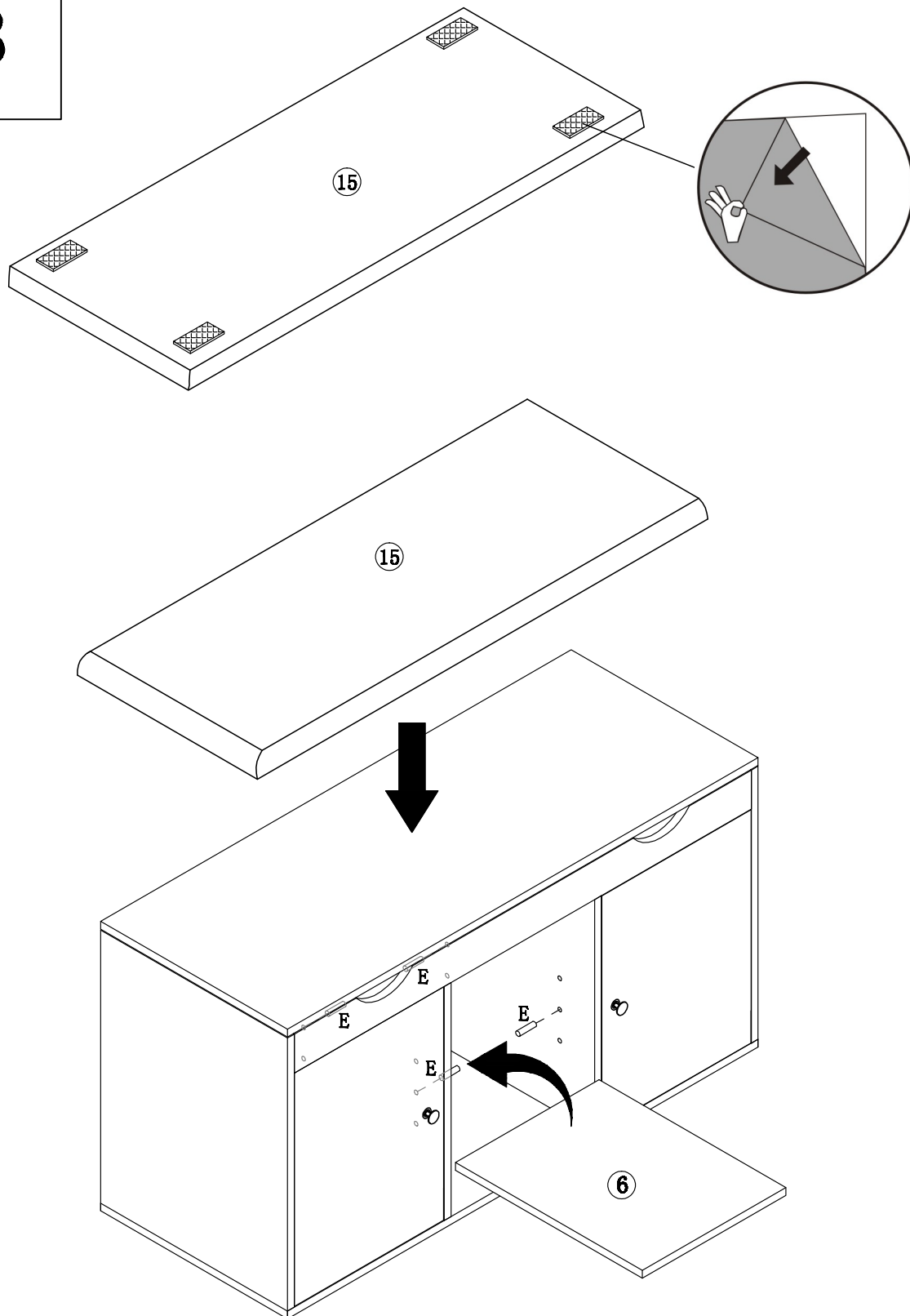


I*2



J*2

13



The buckles have three optional adjustment.



E*4