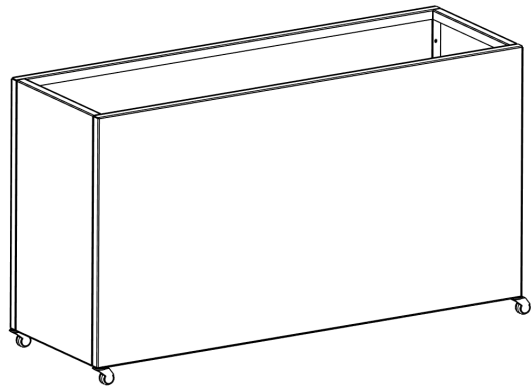


# ASSEMBLY INSTRUCTION



Ax2



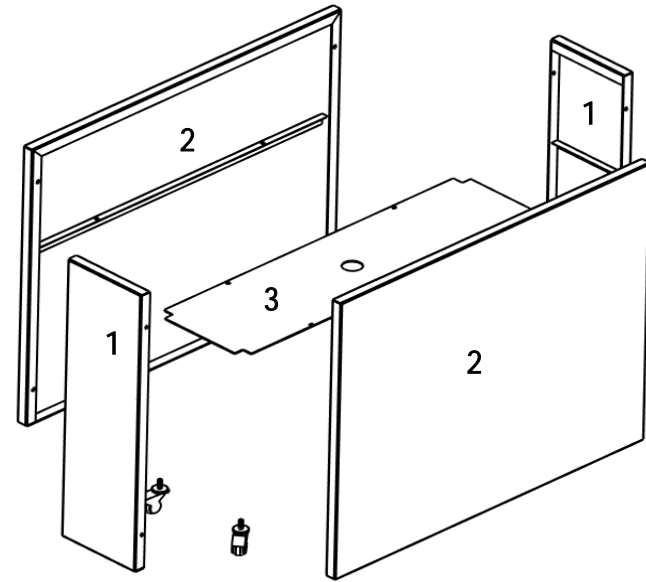
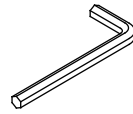
Bx2



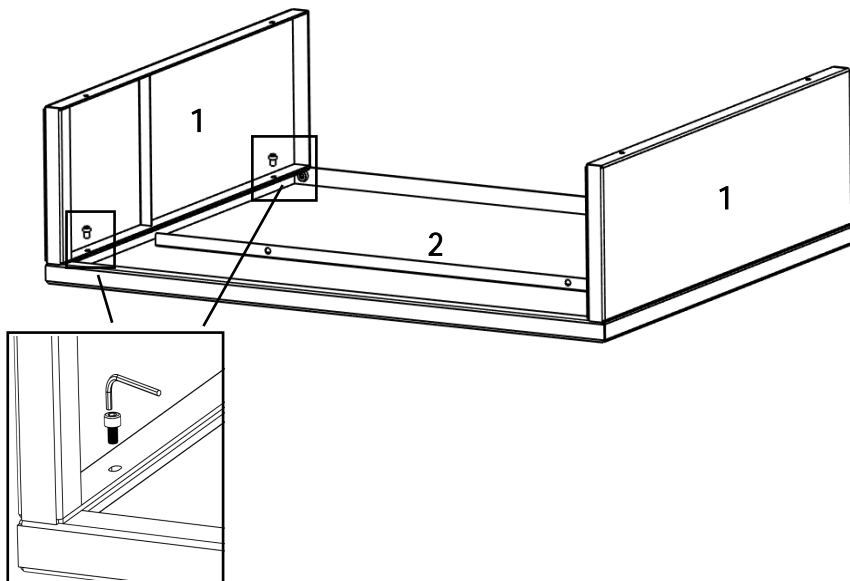
Cx12



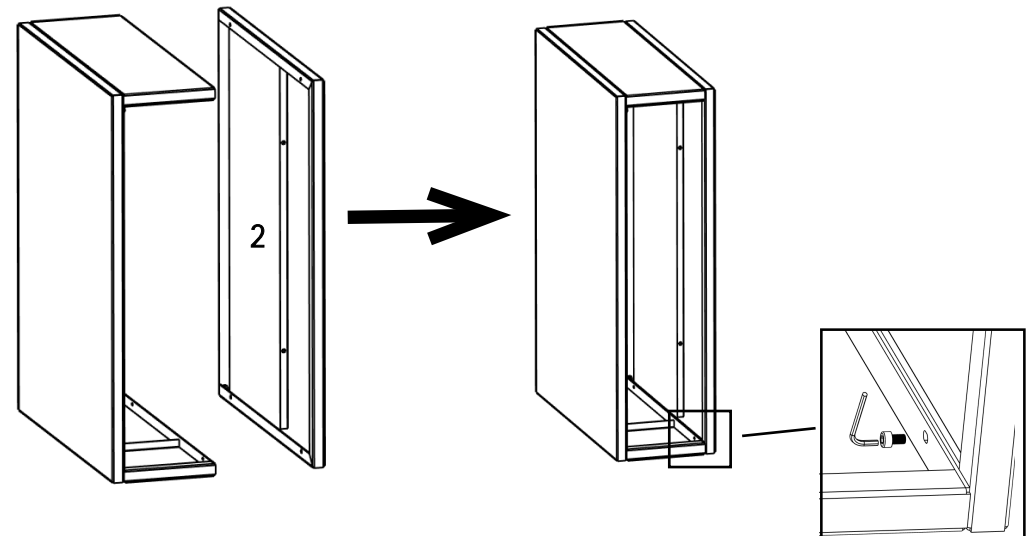
Dx1



STEP 1

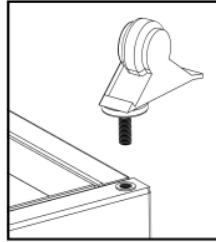
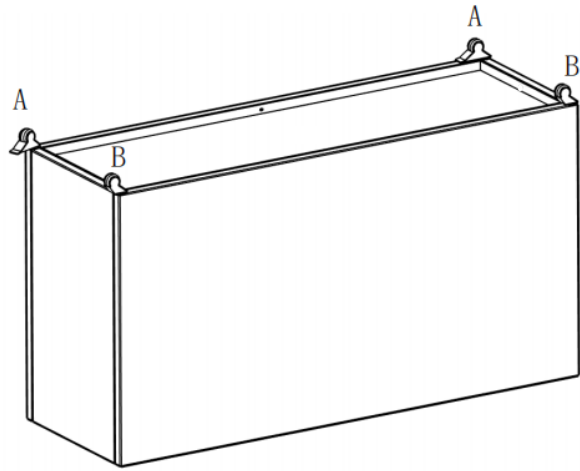


STEP 2

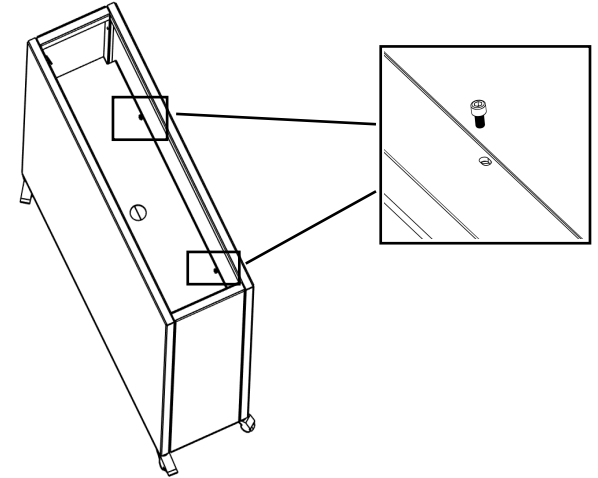
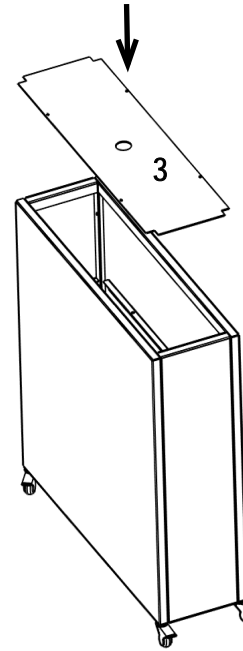


# ASSEMBLY INSTRUCTION

STEP 3



STEP 4



STEP 5

