

Screws & Tools

M8x15mm



(A) x24

M8x35mm



(B) x10

M8x45mm



(C) x10

∅ 4x25



(D) x4

5x5mm

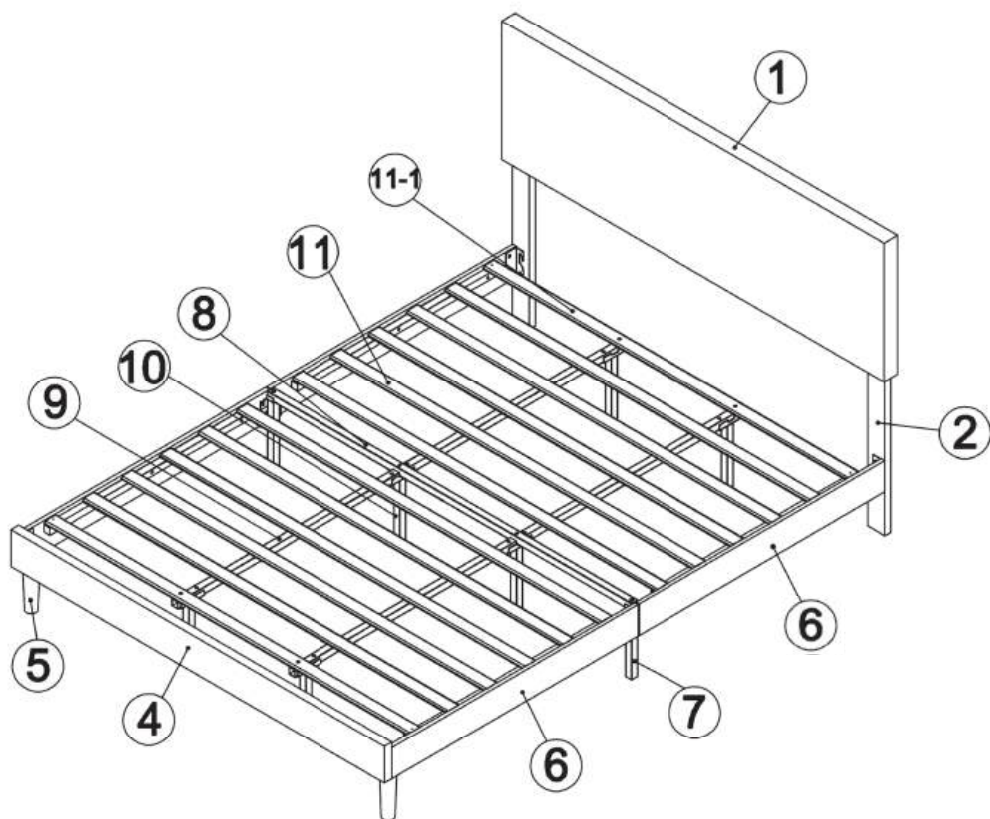


(E) x2

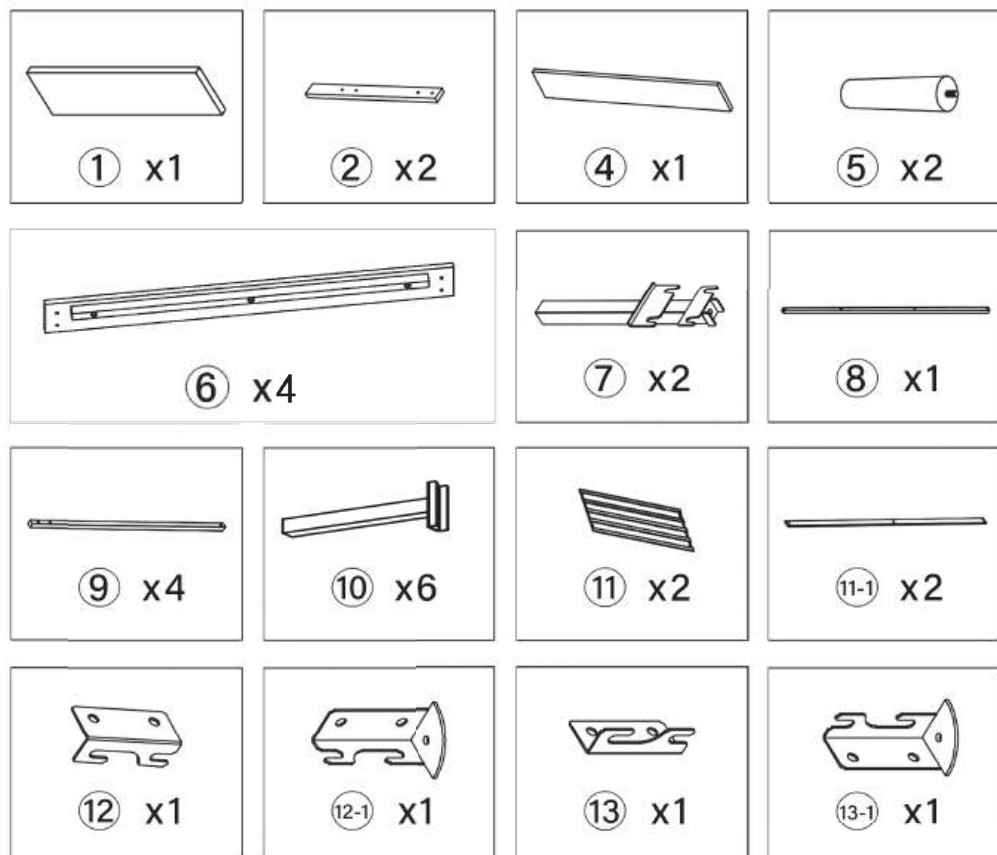
Check all the components & screws before assembly.
Do not install in case part is missing, contact us to get.

NOTE: THIS INSTRUCTION BOOKLET CONTAINS **IMPORTANT** SAFETY INFORMATION

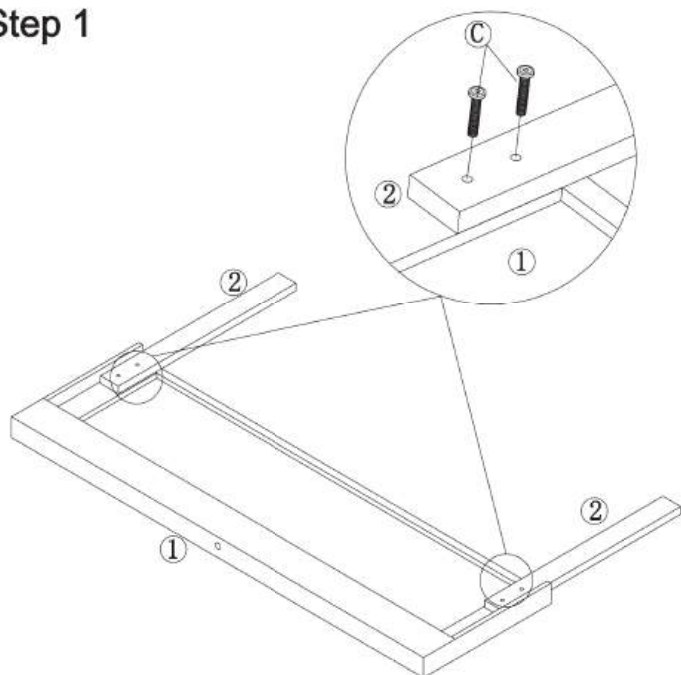
Note: Don't tighten all screws during installation.



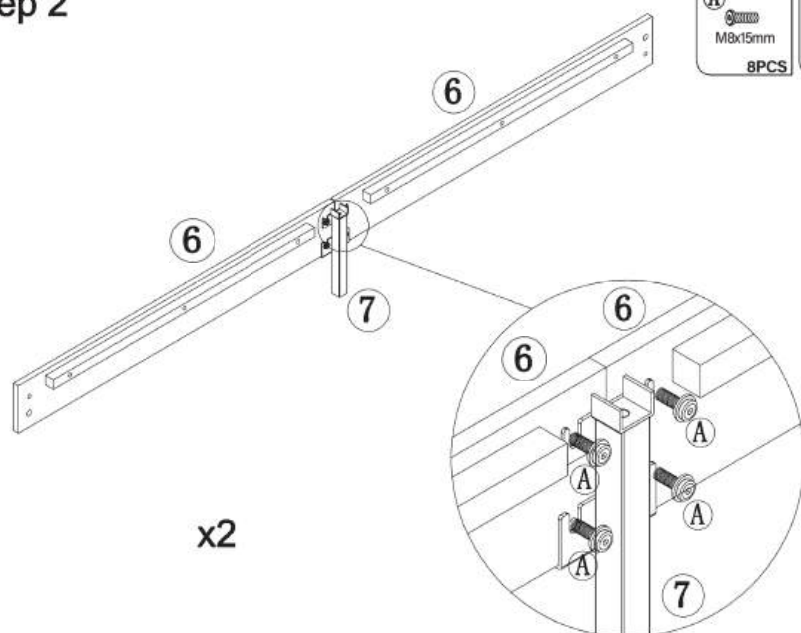
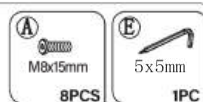
Components



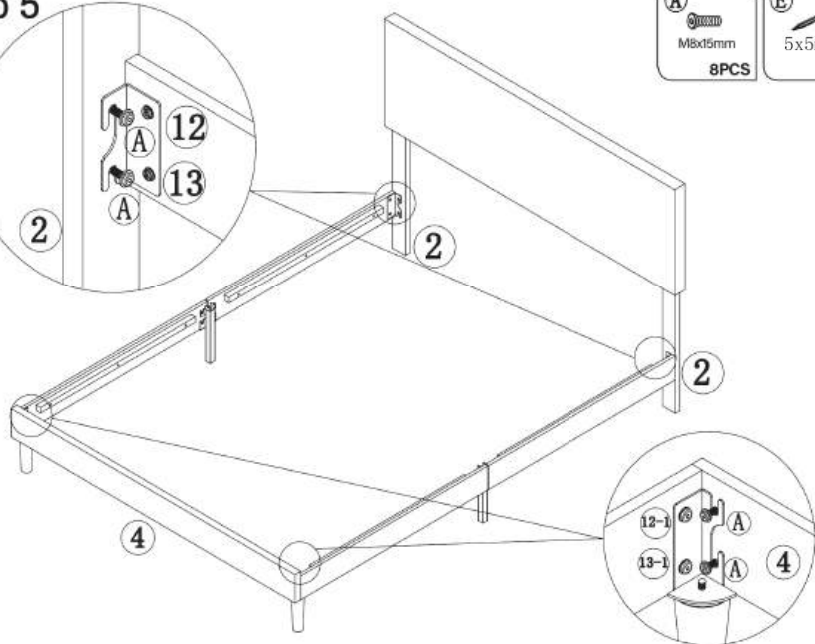
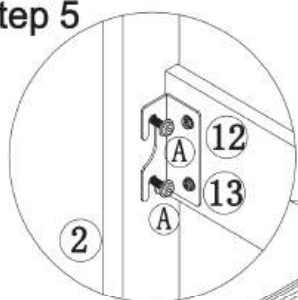
Step 1



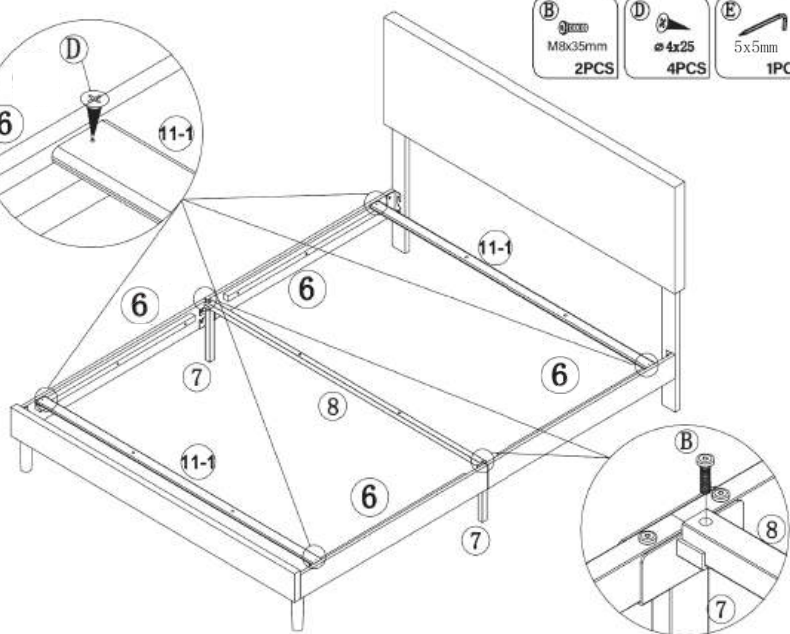
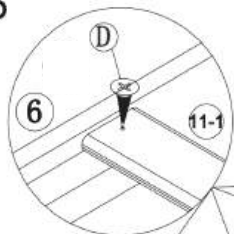
Step 2



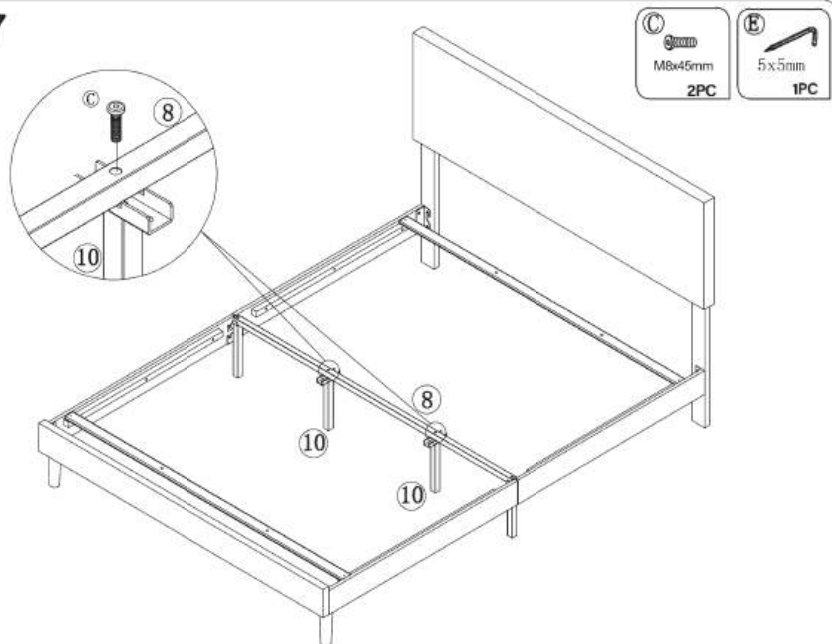
Step 5



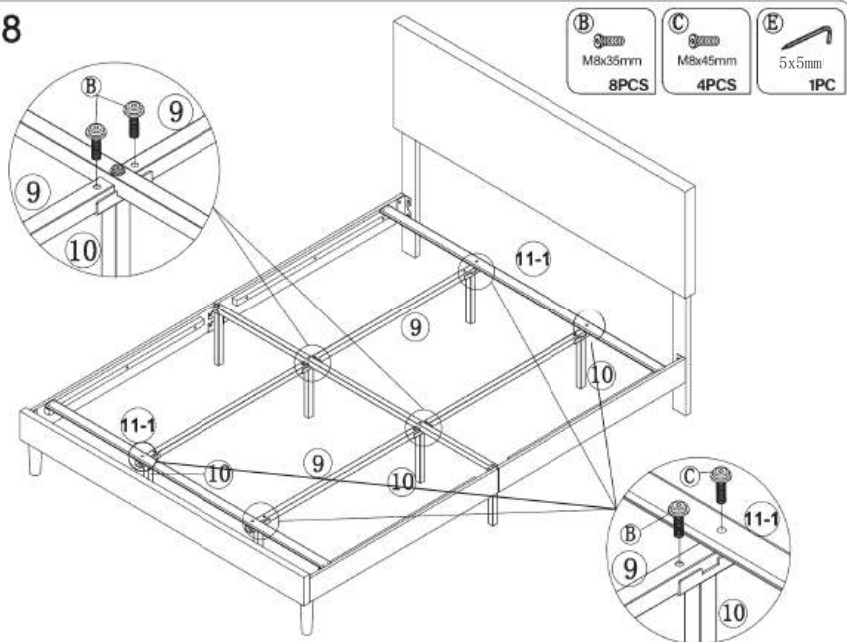
Step 6



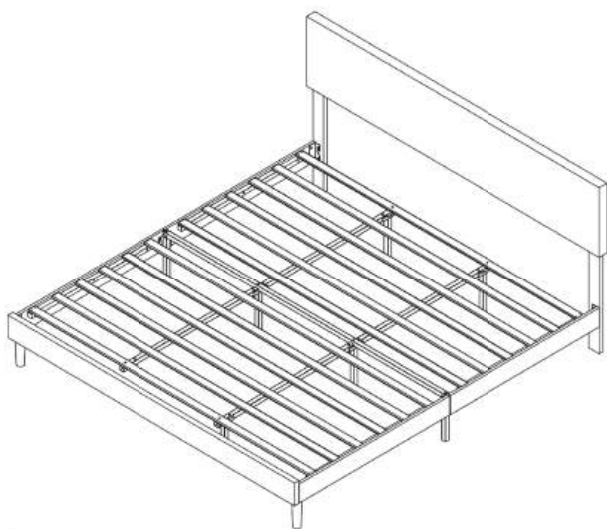
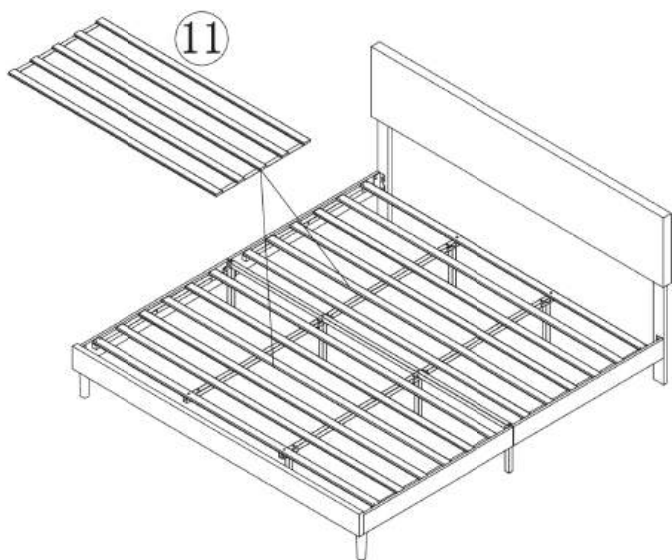
Step 7



Step 8



Step 9



Note:
Pls check and tighten all screws.