
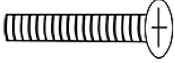
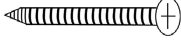
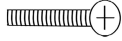

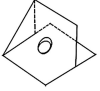
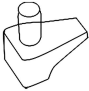

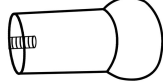



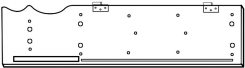
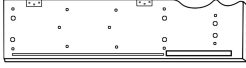
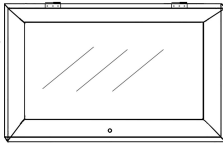
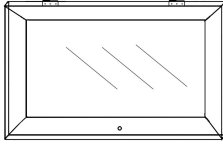
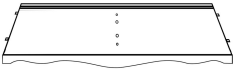

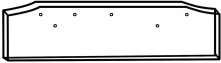
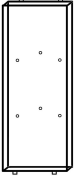


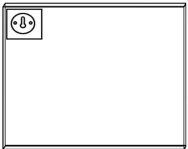
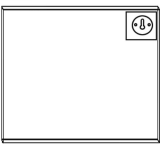

# ASSEMBLY INSTRUCTION

(DON'T FULLY TIGHTEN THE SCREWS BEFORE FINISHING ASSEMBLY)

## HARDWARE LIST

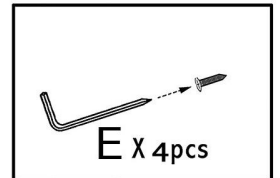
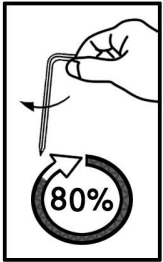
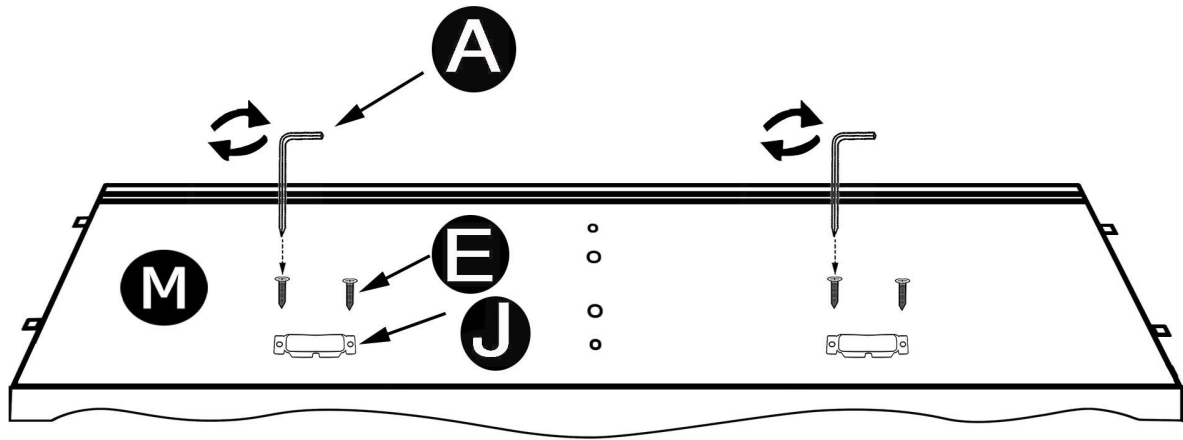
|   |   |   |   |   |
|---|---|---|---|---|
| <b>A</b><br> | <b>B</b><br><br>Ø:4x18mm | <b>C</b><br><br>Ø:4x40mm | <b>D</b><br><br>Ø:5X25mm | <b>E</b><br><br>Ø:3X16mm |
| 1pc   | 4pcs  | 18pcs   | 5pcs  | 16pcs   |
| <b>F</b><br> | <b>G</b><br>             | <b>H</b><br>             | <b>I</b><br>              | <b>J</b><br>             |
| 12pcs   | 24 pcs  | 4 pcs   | 5pcs  | 2pcs  |

## PART LIST

|  |  |  |   |   |
|--|--|--|---|---|
| <b>K1</b><br> | <b>K2</b><br> | <b>L1</b><br> | <b>L2</b><br> | <b>M</b><br> |
| 1pc  | 1pc  | 2pcs   | 2pcs  | 1pc   |
| <b>N</b><br>  | <b>O</b><br>  | <b>P</b><br>  | <b>Q</b><br>  | <b>R</b><br> |
| 1pc  | 1pc  | 1pc  | 1pc   | 4pcs  |
| <b>S1</b><br> | <b>S2</b><br> | <b>T</b><br>  |   |   |
| 1pc  | 1pc  | 1pc  |   |   |

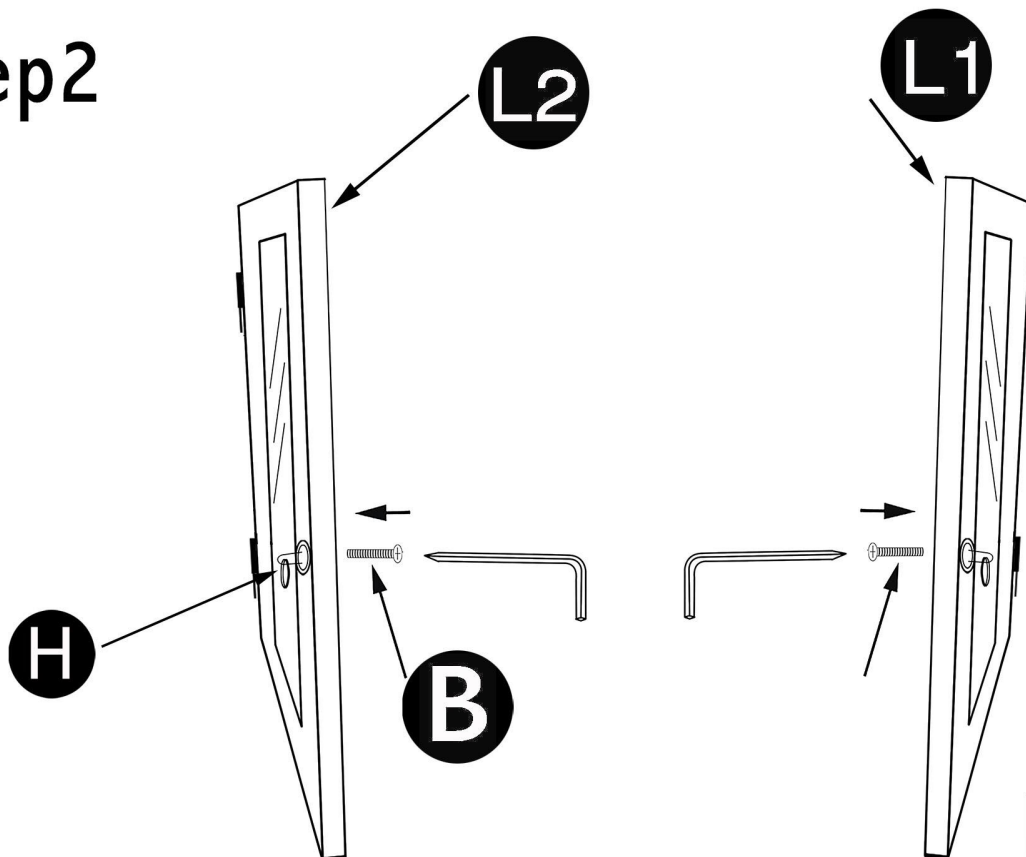
# INSTRUCTION STEPS

## Step 1



Reminder: Before the cabinet is fully assembled, tighten the assembly screws to about 80% to facilitate the adjustment of the alignment of the panels later.

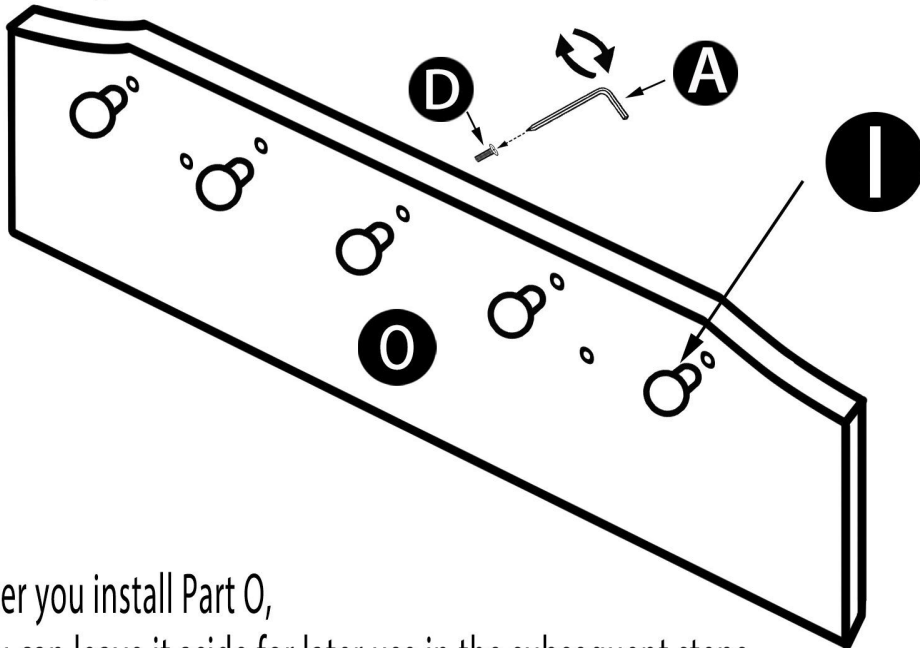
## Step 2



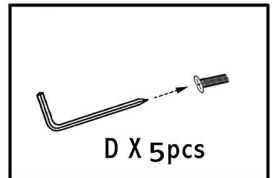
B X 4pcs

# INSTRUCTION STEPS

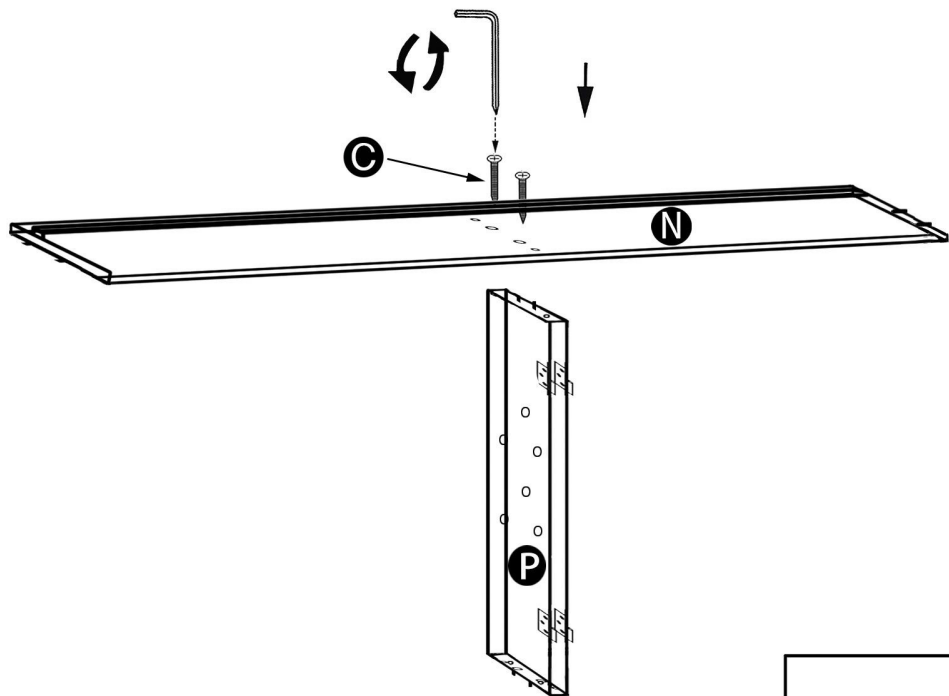
## Step 3



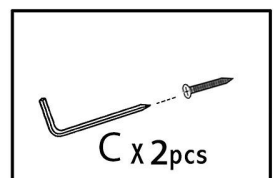
After you install Part O,  
you can leave it aside for later use in the subsequent steps.



## Step 4

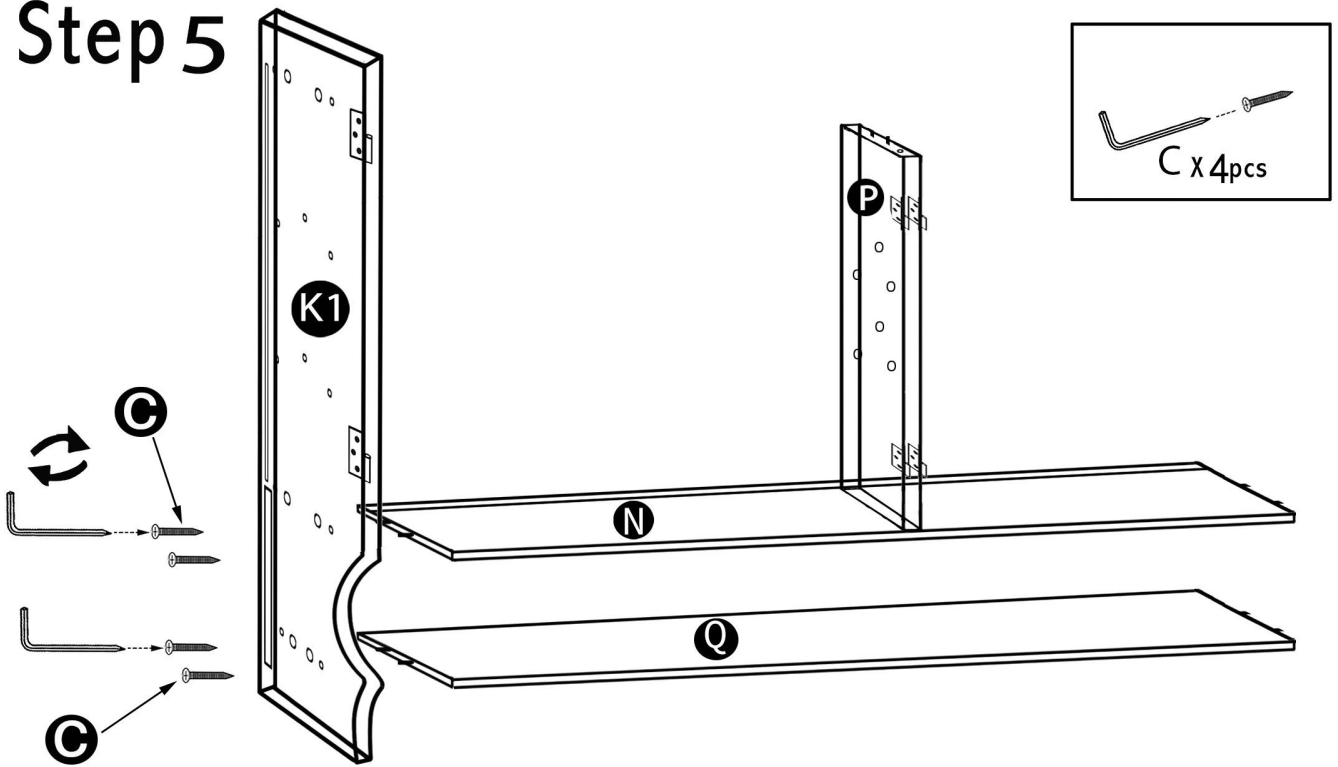


Reminder: The side of the board N with the small wooden strips nailed on it faces upwards,  
while the side of the board P with the metal hinge faces outwards.

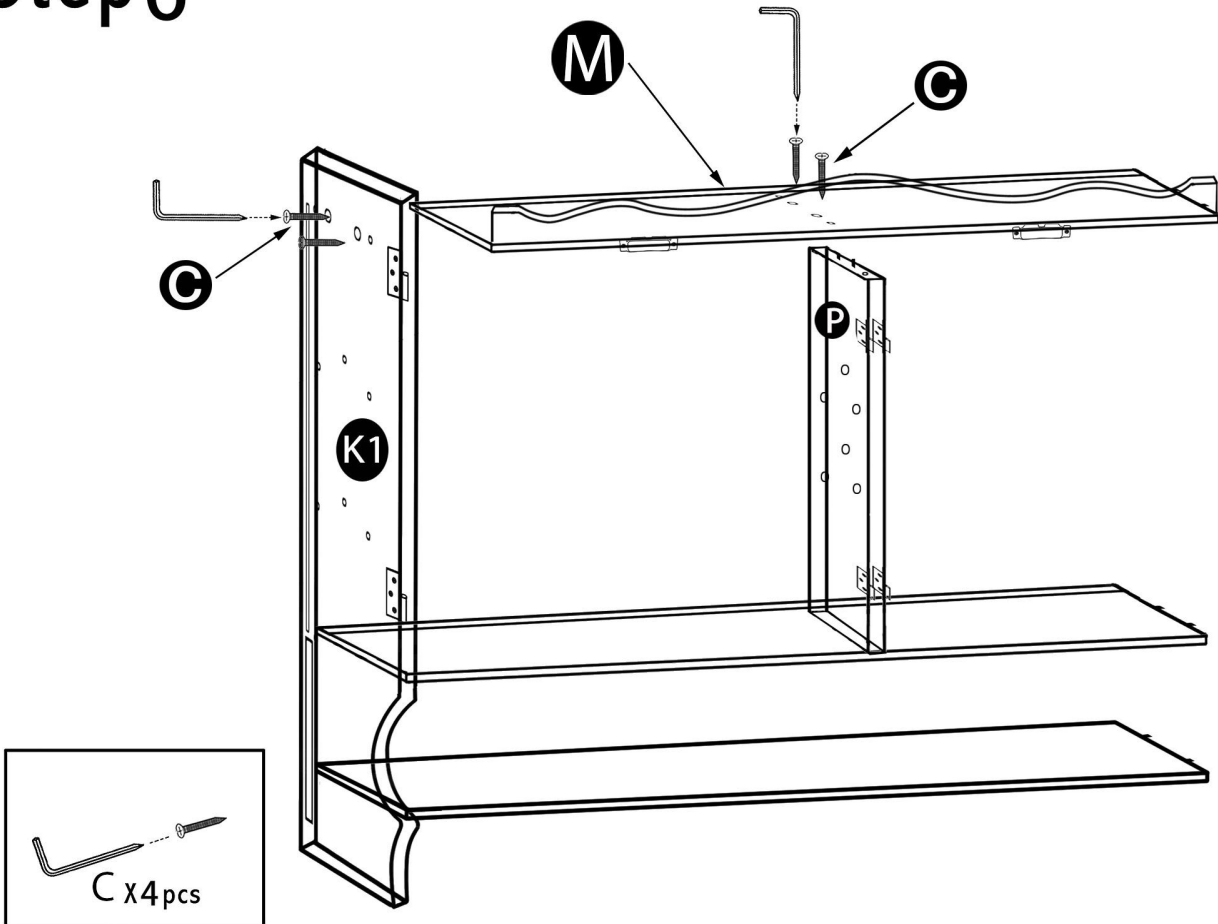


# INSTRUCTION STEPS

## Step 5

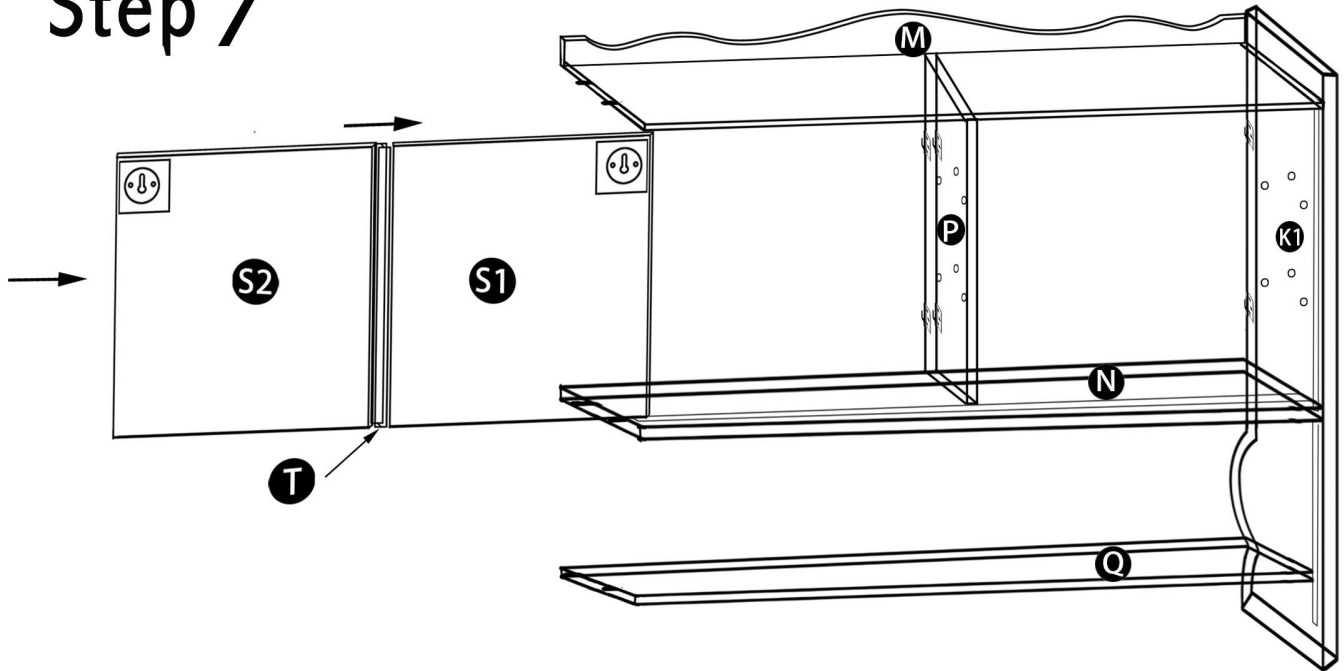


## Step 6



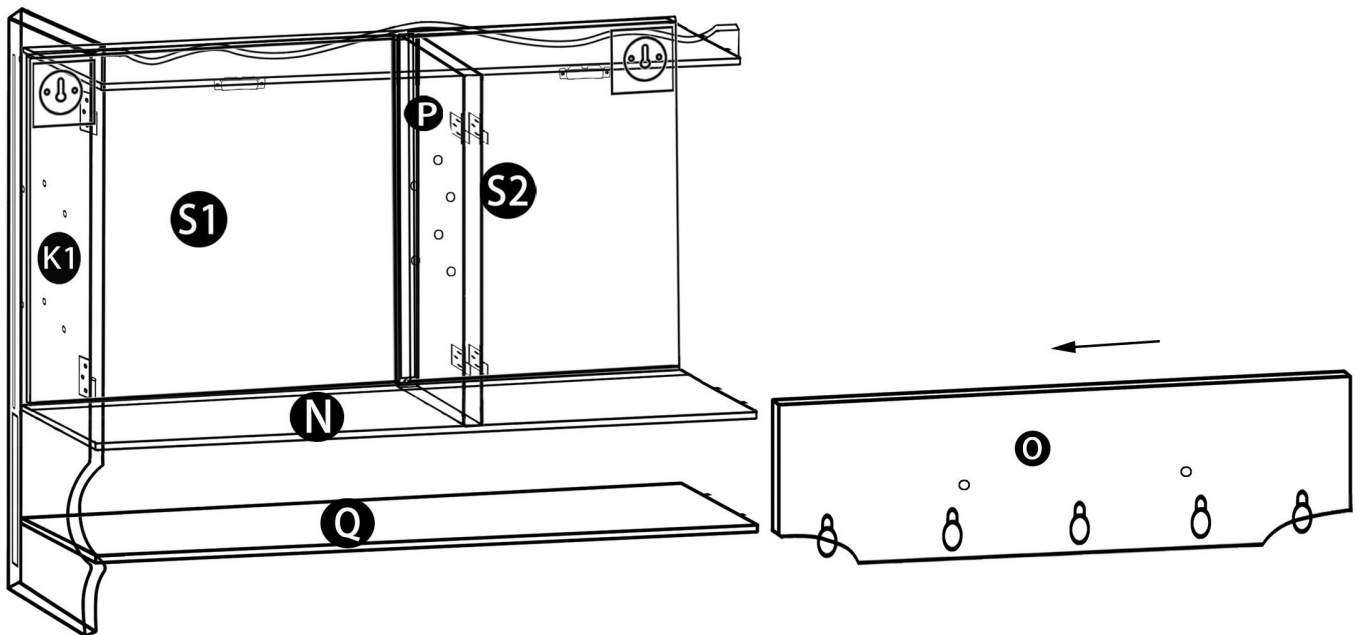
# INSTRUCTION STEPS

## Step 7



Warm reminder: Push the back plate s1, plastic strip T, and back plate S2 into the slot of K1 N M in sequence.  
Reminder: The hook holes of the back panel S1 and S2 should face the wall outside the cabinet.

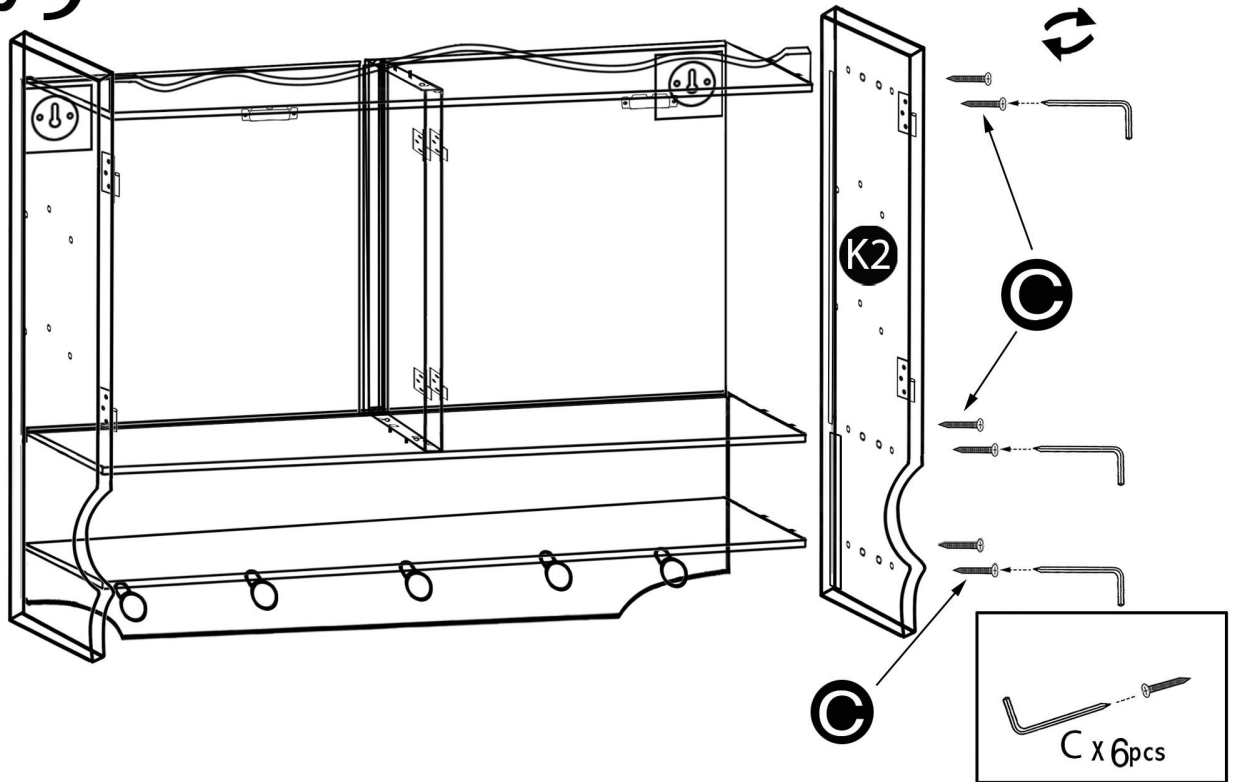
## Step 8



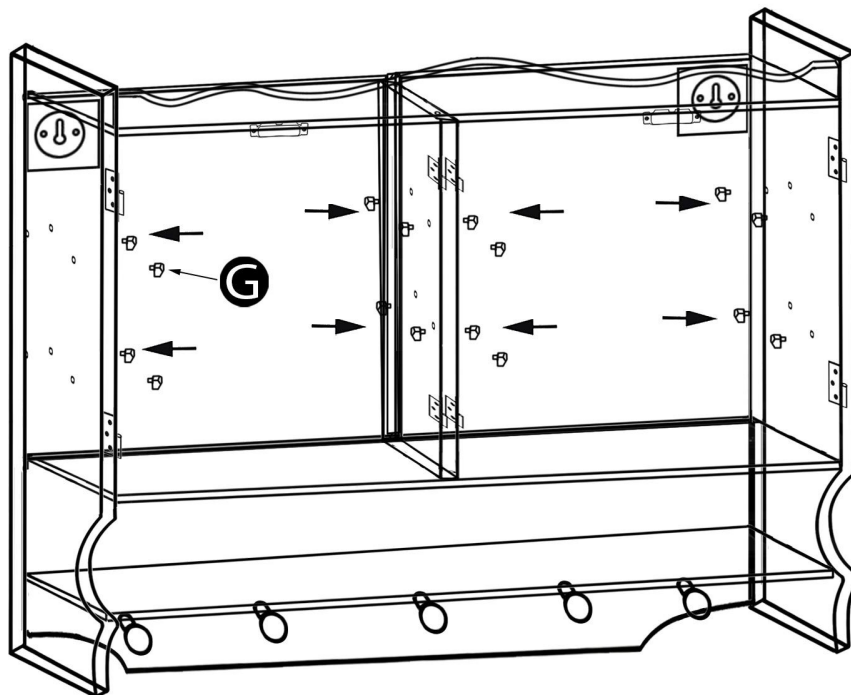
Warm reminder: Push the O-board into the slot of the K1N Q-board.

# INSTRUCTION STEPS

## Step 9

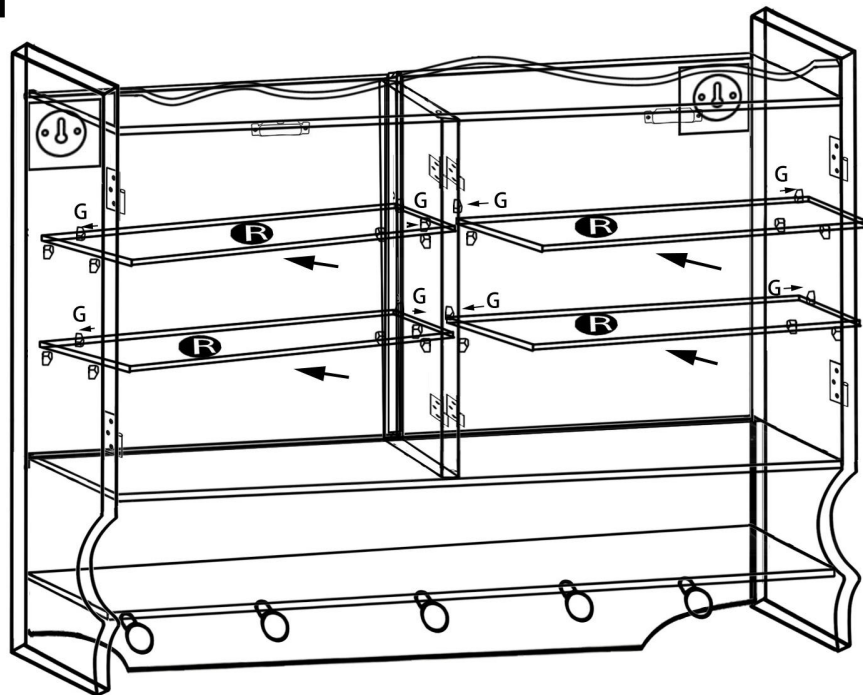


## Step 10



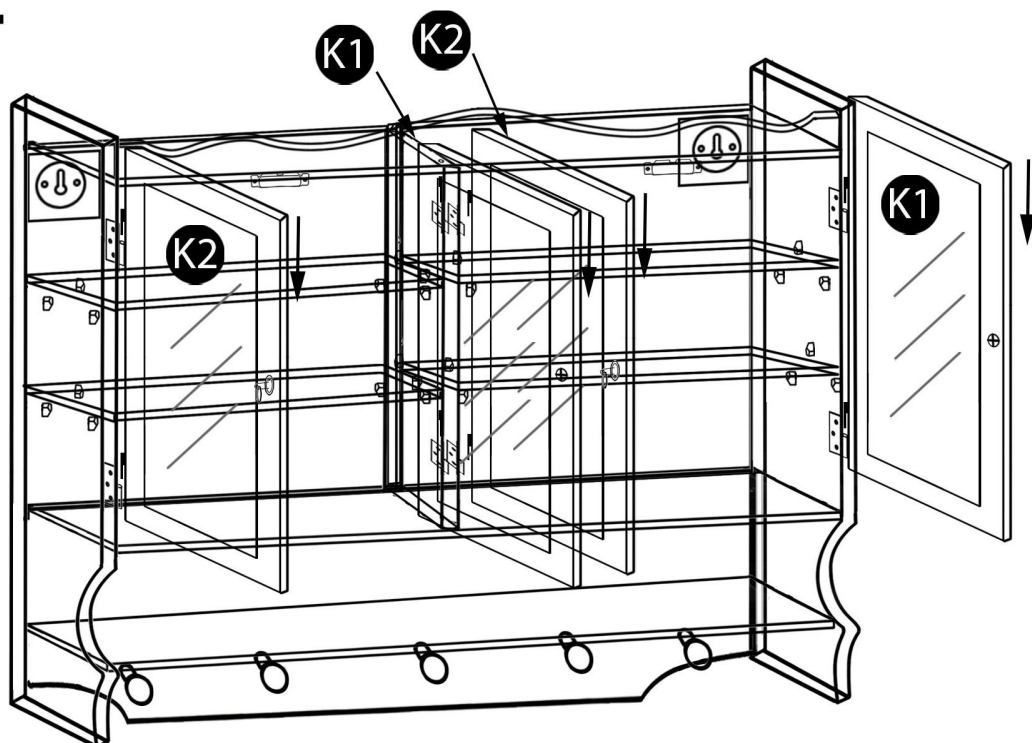
# INSTRUCTION STEPS

## Step 11



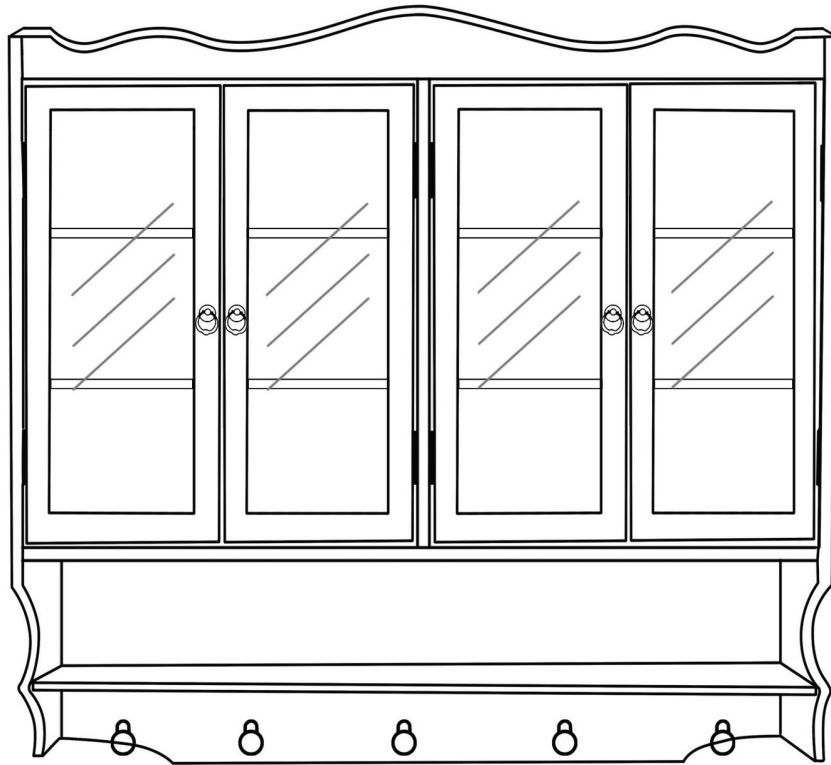
Warm reminder: After pushing the partition R flat onto the plug G, insert the hole on the upper layer of the partition into the plug G.

## Step 12

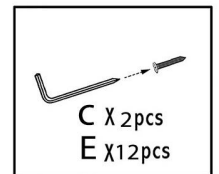
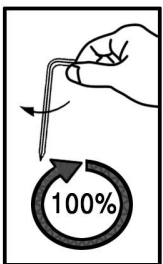
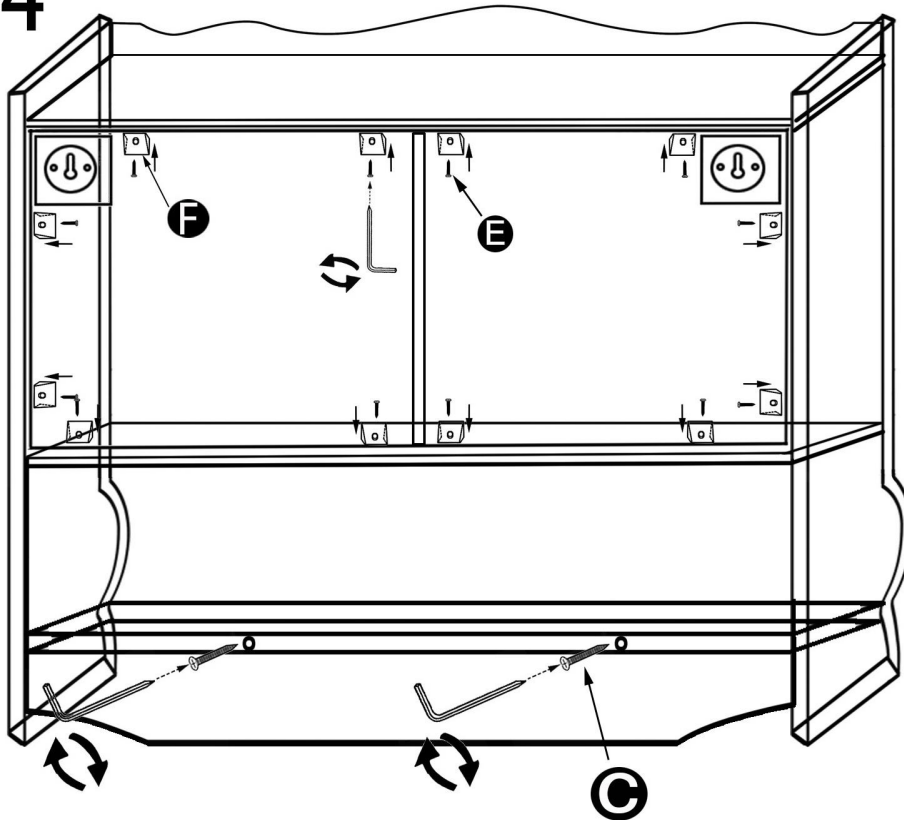


# INSTRUCTION STEPS

## Step 13



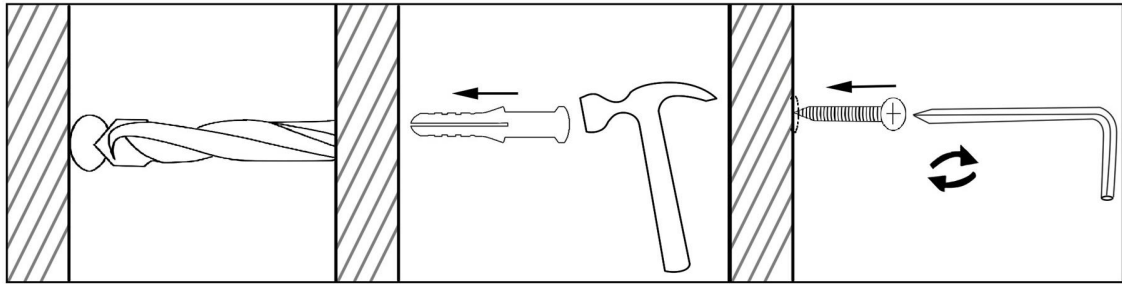
## Step 14



Reminder: After the cabinet is fully assembled, tighten all the assembly screws again to 100% tightness.

# INSTRUCTION STEPS

## Step 15



## Step 16

