

DARCY VELVET SWIVEL CHAIR GREY
DARCY SWIVEL CHAIR BLACK
DARCY SWIVEL CHAIR GREY

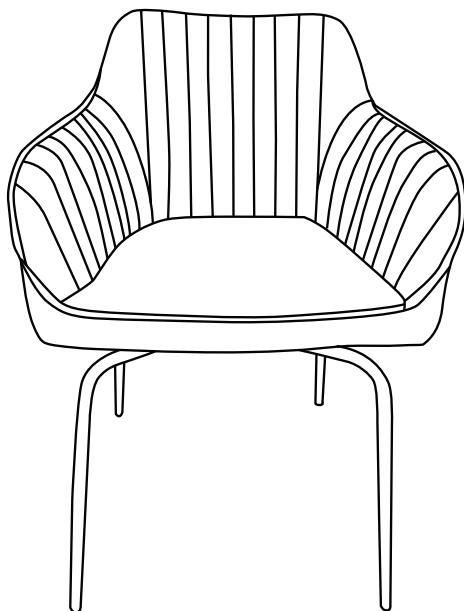
CHR-DARCY-GRY/BRSS-01

CHR-DARCY-GRY/BK-01

CHR-DARCY-GRY/BK-01

— Instruction manual

www.laura-james.co.uk



CONTENTS

Safety and care advice	1
Components	2
Assembly instructions	3
Copyright	5

⚠️ SAFETY AND CARE ADVICE ⚠️

PLEASE READ THESE INSTRUCTIONS CAREFULLY AND KEEP FOR FUTURE REFERENCE

- **Warning:** This unit weighs approximately 8kgs. Please lift with care.
- Check you have all the components and tools listed on pages 2 and 3.
- Remove all fittings from the plastic bags and separate them into their groups.
- Keep children and animals away from the work area, small parts could choke if swallowed.
- Make sure you have enough space to layout the parts before starting.
- Do not stand or put weight on the product, this could cause damage.
- Assemble the item as close to its final position (in the same room) as possible.
- Assemble on a soft level surface to avoid damaging the unit or your floor (use opened out unit carton).



- We do not recommend the use of power drill/drivers **for inserting screws**, as this could damage the unit. Only use hand screwdrivers.
- **Safety note:** If there is any chance of this unit being pulled over by children etc. it is recommended that the unit is secured to a wall using suitable fixings.
- Dispose of all packaging carefully and responsibly.

CARE AND MAINTENANCE

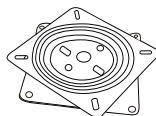
- Only clean using a damp cloth and mild detergent, do not use bleach or abrasive cleaners.
 - From time to time check that there are no loose screws on this unit.
 - This product should not be discarded with household waste. Take to your local authority waste disposal center.
- Note** *If required the next page can be cut out and used as reference throughout the assembly. Keep this page with these instructions for future reference.*

COMPONENTS

Ensure the following components are in the box before proceeding with assembly:



D x 1



J x 1



E x 2



M6*12mm

K x 12



A x 1



F x 4



M6*30mm

B x 1



G x 4



M6*18mm

C x 1



H x 4

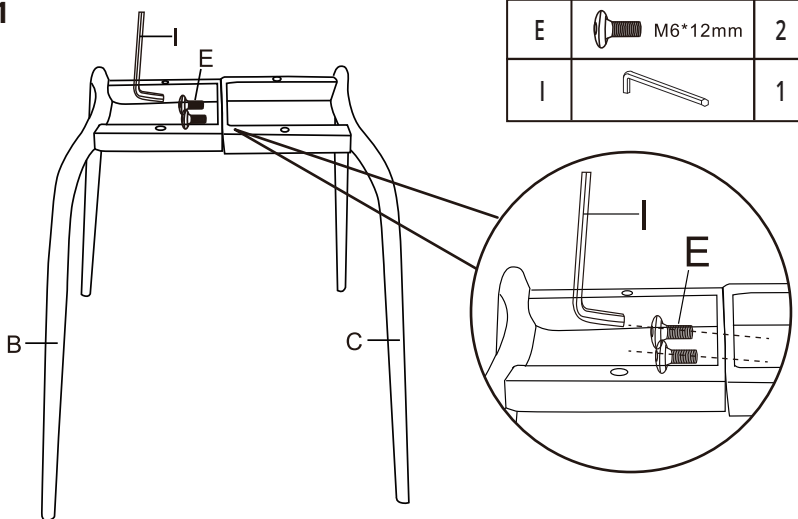


I x 1

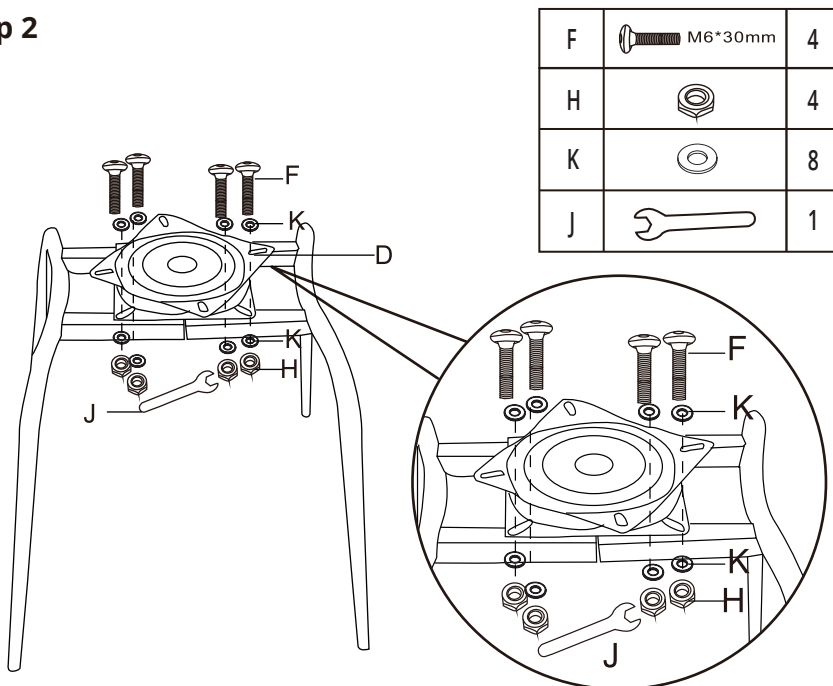


ASSEMBLY INSTRUCTIONS

Step 1






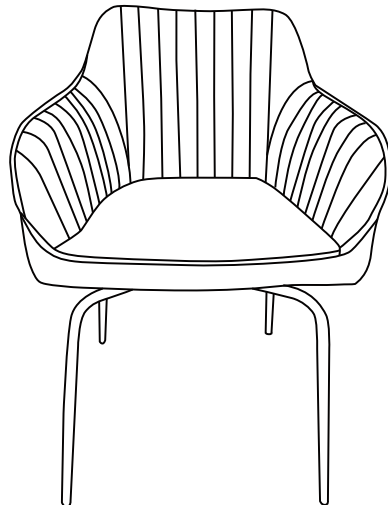
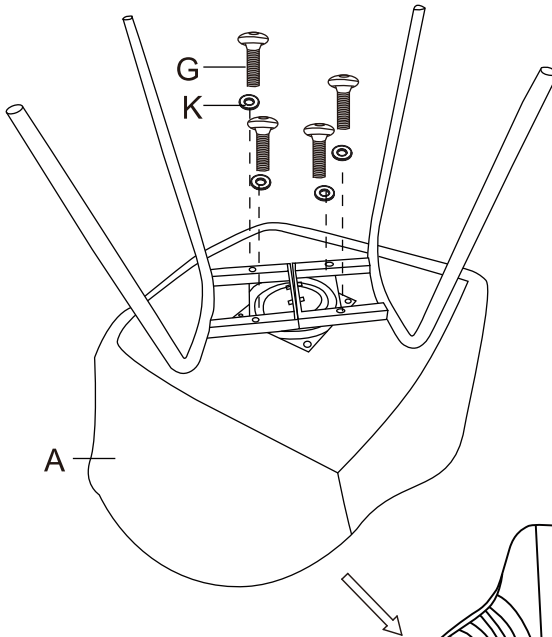
Step 2



ASSEMBLY INSTRUCTIONS

Step 3

G	 M6*18mm	4
K		4
I		1



Congratulations! Now you have finished assembling the product.

IF YOU FIND A DEFECTIVE PART

We fully stock all parts and components. Any defective part can be quickly replaced. Take note of the defective part number in manual and we will arrange a replacement.

You can email our team at customercare@laura-james.co.uk

COPYRIGHT

All material in this instruction manual is copyrighted by AGTC Ltd.

Any unauthorised use may violate worldwide copyright, trademark and other laws.

Thank you for purchasing!

Laura James® is a registered trademark of AGTC Ltd.
Made in China for AGTC LTD S35 2PH

Laura James

www.laura-james.co.uk