

Assembly Instructions

Thank you for
purchasing a
Birlea product.

For a chance to win a *Love 2 Shop* voucher simply post a picture of your new product on your preferred social channels tagging Birlea Furniture and using the hashtag

One winner will be selected at random each month.

Are you happy with your purchase?

Yes: That's great, we would love to hear more from you. Please leave us a review on our social media channels or Trustpilot. Your feedback will be greatly appreciated.

No: If for any reason there is something missing, indifferent or incorrect with your order, please contact the retailer you purchased the item from. We will work with the retailer to resolve your issue as quickly as possible.

ASSEMBLY INSTRUCTIONS **HOUSTON 4 DOOR WARDROBE**

IMPORTANT : READ THESE INSTRUCTIONS CAREFULLY BEFORE ATTEMPTING TO ASSEMBLE OR USE HOUSTON 4 DOOR WARDROBE.

PLEASE KEEP THESE INSTRUCTIONS FOR FUTURE REFERENCE.

ASSEMBLY:

Assembly should be carried out with this item laying flat, not standing upright.

Assemble on a soft, clean surface to prevent damages.

To erase the numbers printed on the pieces, use the rubber inside the accessories pack.

HEALTH & SAFETY:

DO NOT use this product if any parts are missing, damaged or worn.

DO NOT use this product unless all fixings are secured.

Always use on a level, even surface.

If anti tip straps are provided, please use them.

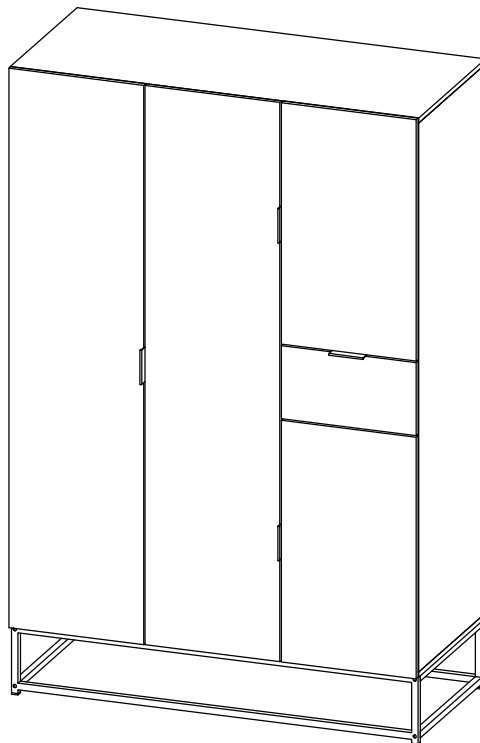
CARE & MAINTENANCE:

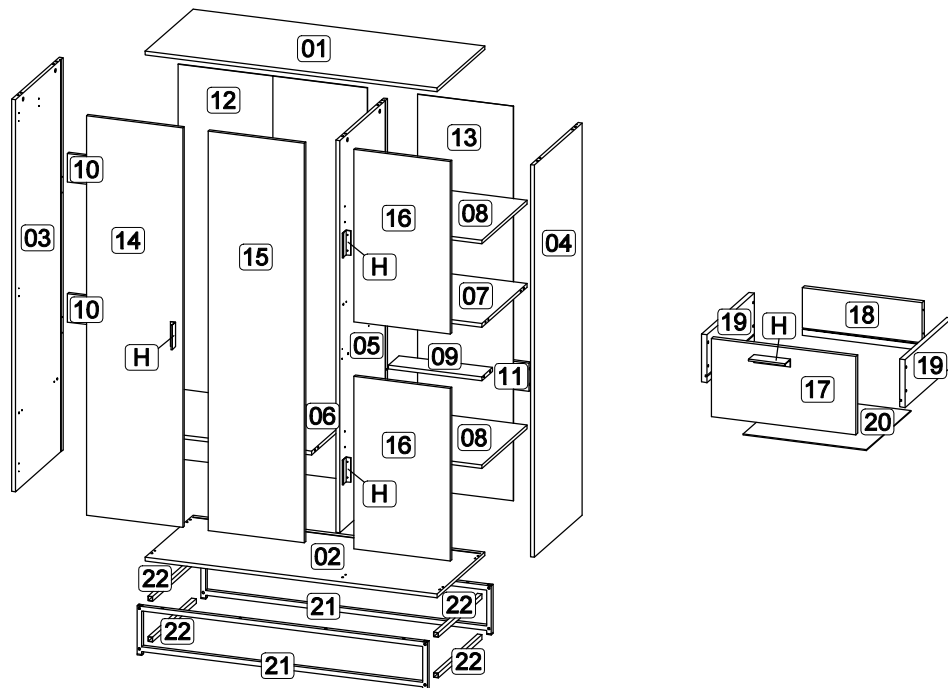
Periodically check all screws & fixings to ensure they are secure.





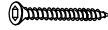




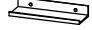









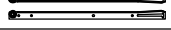
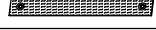
DO NOT push this product as this will cause damage.

Always lift this product with two people to repositions.

Keep any sharp objects away from this product.





Parts List				Hardware List (BOX 3)			
Part	Description	Box	Qty	Part	Description		Qty
01	Top panel	3	1	A1	Cam lock		28
02	Bottom panel	3	1	A2	Minifix screw		28
03	Side panel (Left)	1	1	A3	Plastic cap		28
04	Side panel (Right)	1	1	B	M8 x 30mm Wood Dowel		22
05	Center panel	1	1	C	M6 x 50mm CSK Cap Wood screw		6
06	Middle panel (Left)	3	1	D	Allen key M4		1
07	Middle panel (Right)	3	1	E	M3 x 12mm C.B Screw		8
08	Shelf panel	3	2	F	M3.5 x 16mm C.B Screw		58
09	Middle bone	2	1	G	M4 x 38mm C.B Screw		8
10	Back bone (Left)	2	2	H	4020 L Bar 100mm		4
11	Back bone (Right)	2	1	I	JCBC screw M6 x 30mm		8
12	Back panel (Left)	1	1	J	JCBC screw M6 x 40mm		8
13	Back panel (Right)	1	1	K1	Stud 192		10
14	Door panel (Left)	2	1	K2	Stud 192 screw		10
15	Door panel (Right)	2	1	L	Metal shelf support		8
16	Door panel (Small)	2	2	M	433 Oval tube bracket		2
17	Drawer front	2	1	N	433 Oval paip		1
18	Drawer back	3	1	O	5/8 Hinges		10
19	Drawer side	3	2	P1	14" Drawer slide (Left / Right)		2
20	Drawer bottom	3	1	P2	14" Drawer slide (Left / Right)		2
21	Metal frame	3	2	Q	8" x 1" PP tape		2
22	Metal bone	3	4				

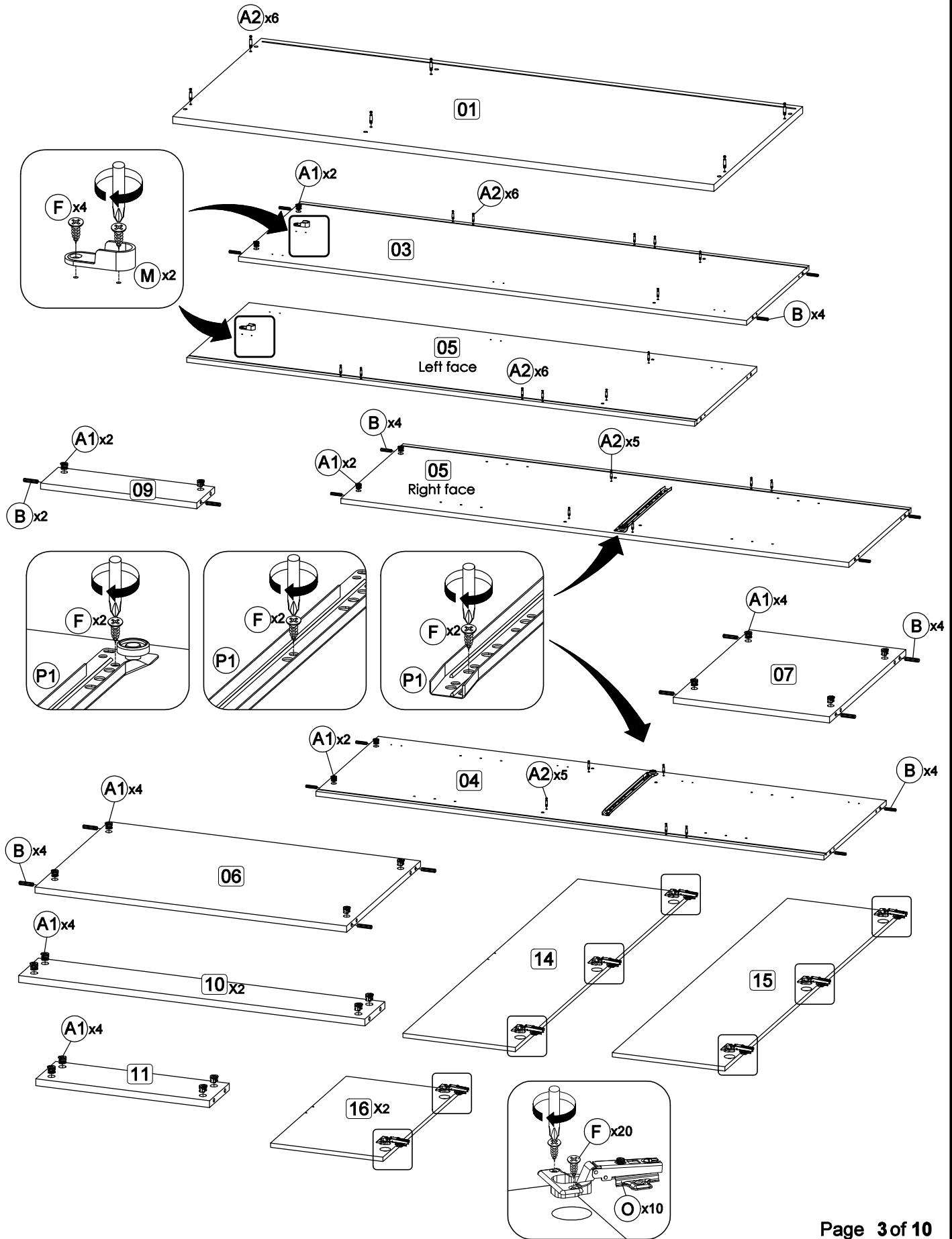
**** You will need a small mallet and a screwdriver for assembly.**

**** Some screws and wooden dowel may remain.**

**** Note : To secure the item to the wall we recommend you use wall plugs and screw.**

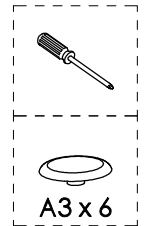
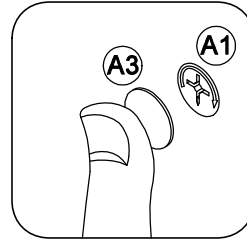
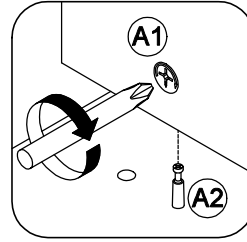
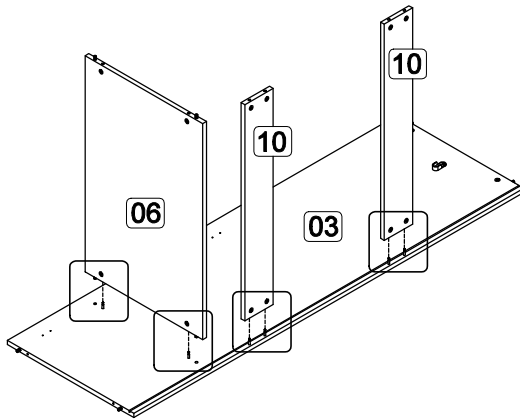
These are not provided in the fixing kit.

Step 1: Prepare these parts for assembly using hardware parts A1, A2, B, F, M, O and P1.
DO NOT use any power tools as this may damage the frame and will invalidate any claim.

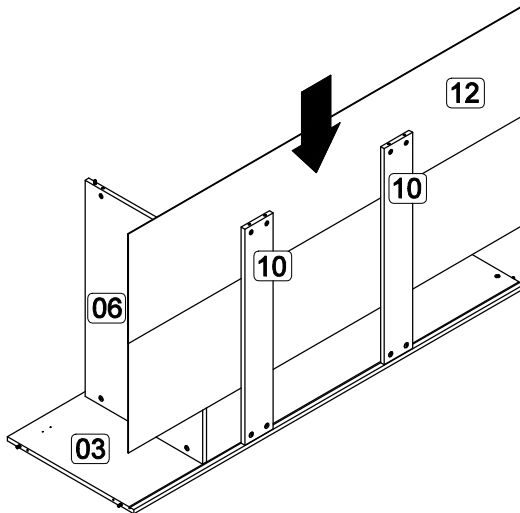


ASSEMBLE ON A SOFT, CLEAN SURFACE TO PREVENT DAMAGES.

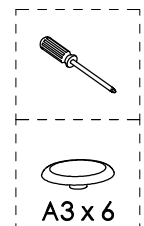
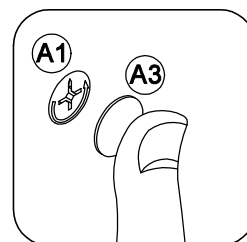
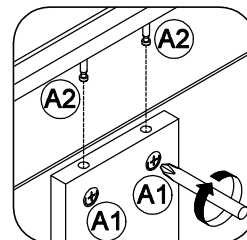
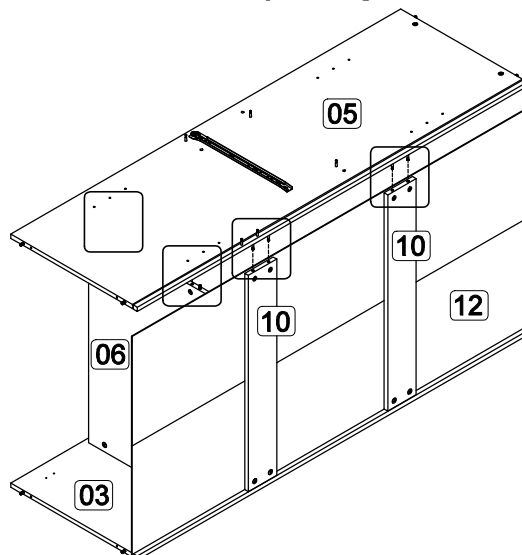
Step 2: Attach middle panel (6) and back bone (10) to side panel (3) using hardware A1 and A2 with a screwdriver (not provided).
DO NOT use any power tools as this may damage the frame and will invalidate any claim.



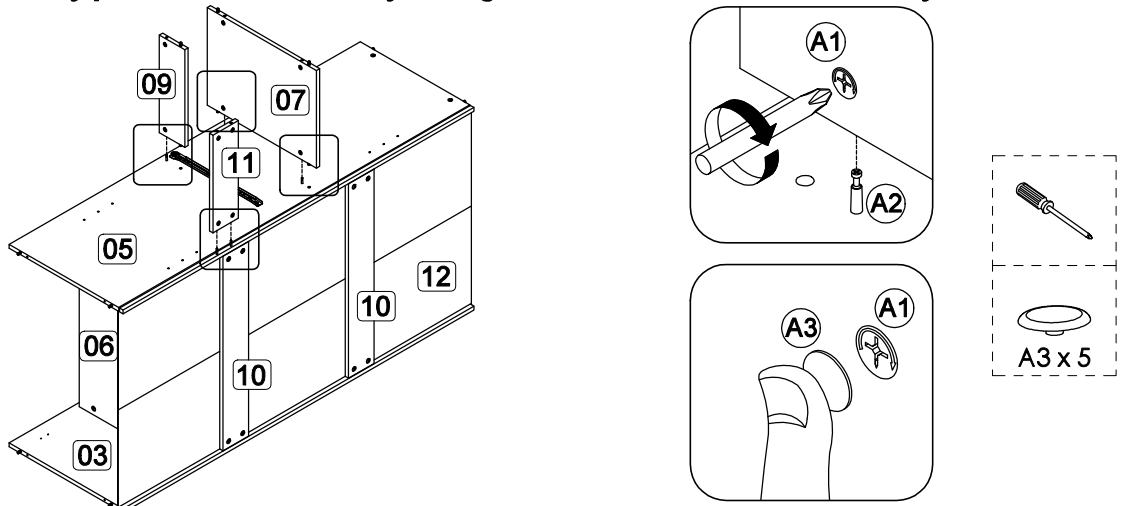
Step 3: Insert back panel (12) along the slot.
DO NOT use any power tools as this may damage the frame and will invalidate any claim.



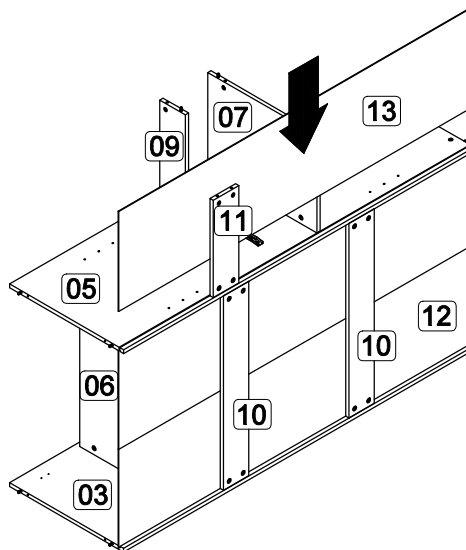
Step 4: Attach middle panel (6) and back bone (10) to center panel (5) using hardware A1 and A2 with a screwdriver (not provided).
DO NOT use any power tools as this may damage the frame and will invalidate any claim.



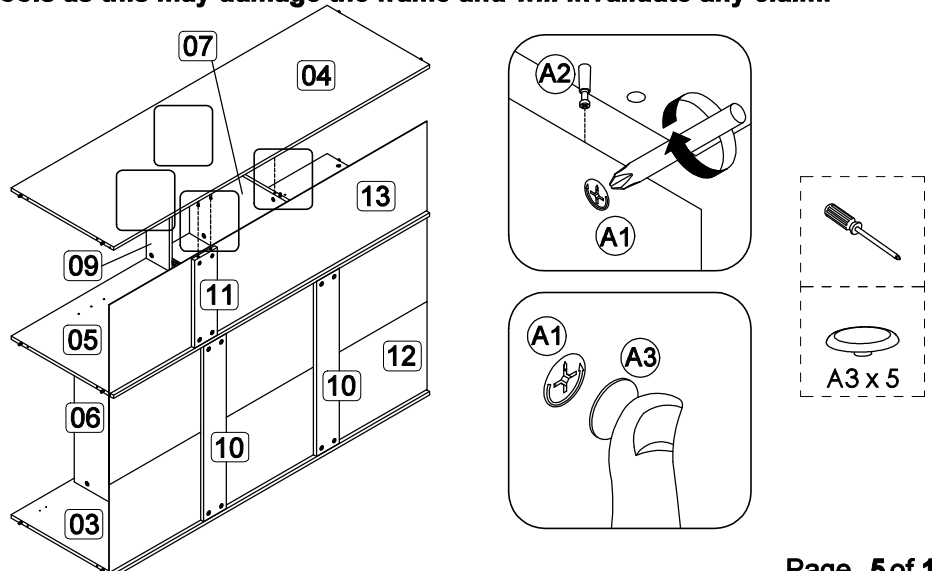
Step 5: Attach middle panel (7), middle bone (9) and back bone (11) to center panel (5) using hardware A1 and A2 with a screwdriver (not provided).
DO NOT use any power tools as this may damage the frame and will invalidate any claim.



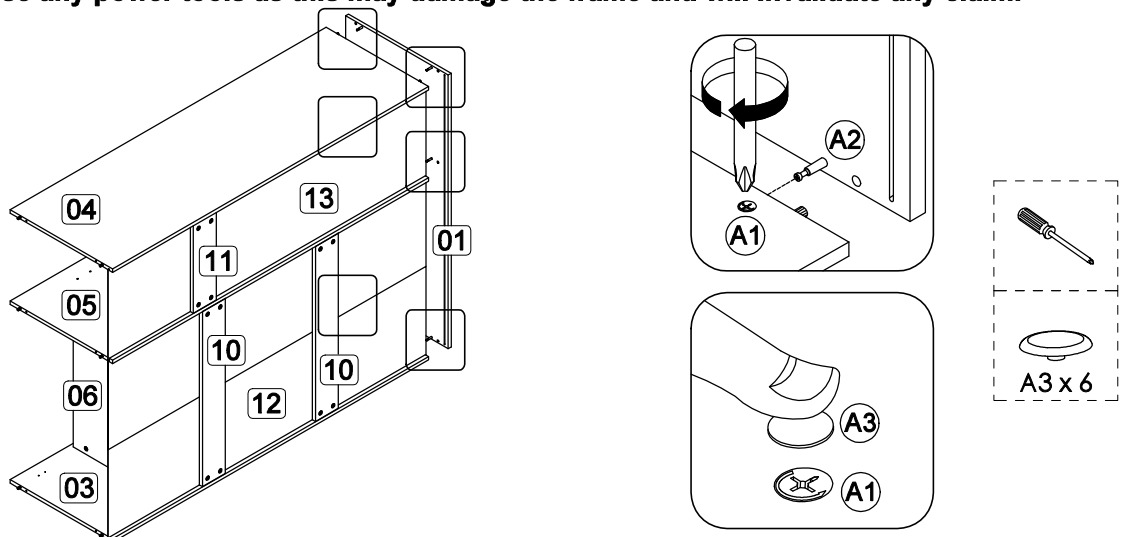
Step 6: Insert back panel (13) along the slot.
DO NOT use any power tools as this may damage the frame and will invalidate any claim.



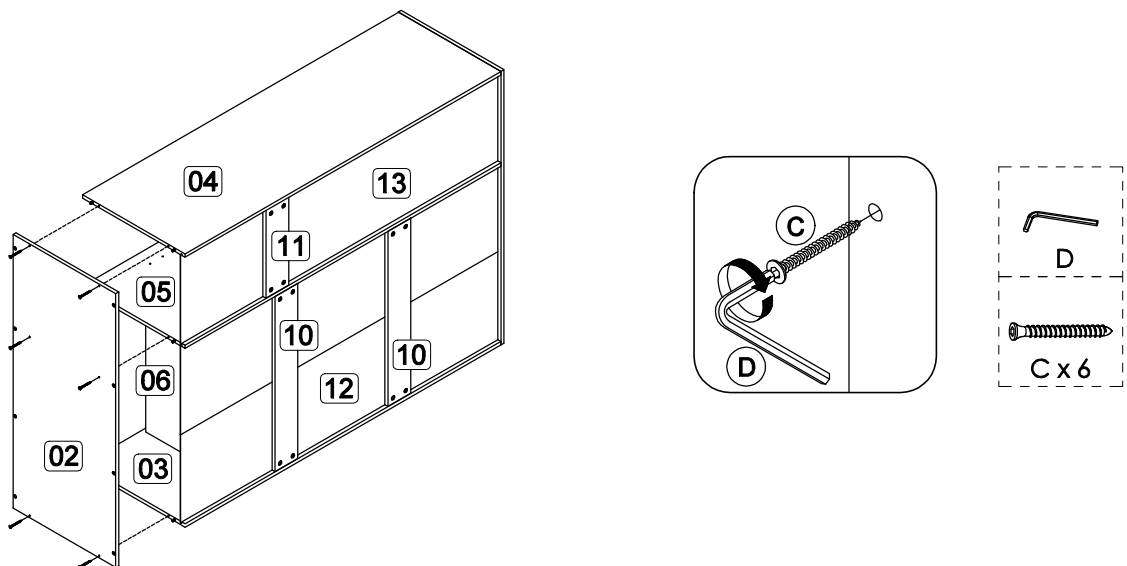
Step 7: Attach middle panel (7), middle bone (9) and back bone (11) to side panel (4) using hardware A1 and A2 with a screwdriver (not provided).
DO NOT use any power tools as this may damage the frame and will invalidate any claim.



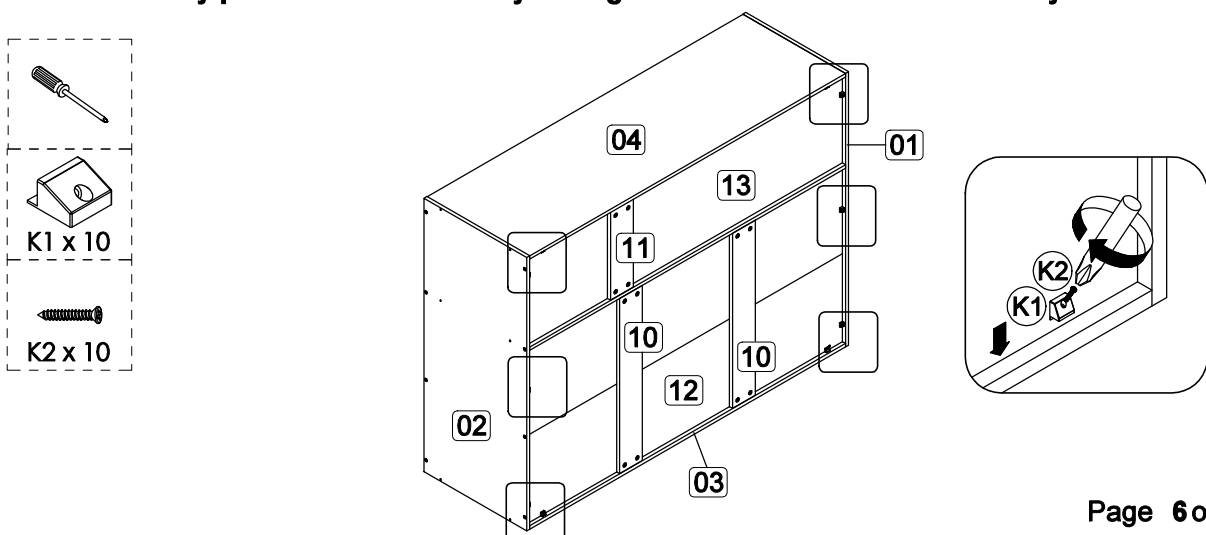
Step 8: Attach side panel (3), (4) and center panel (5) to top panel (1) using hardware A1 and A2 with a screwdriver (not provided).
DO NOT use any power tools as this may damage the frame and will invalidate any claim.



Step 9: Attach bottom panel (2) to side panel (3), (4) and center panel (5) using hardware C and D.
DO NOT use any power tools as this may damage the frame and will invalidate any claim.

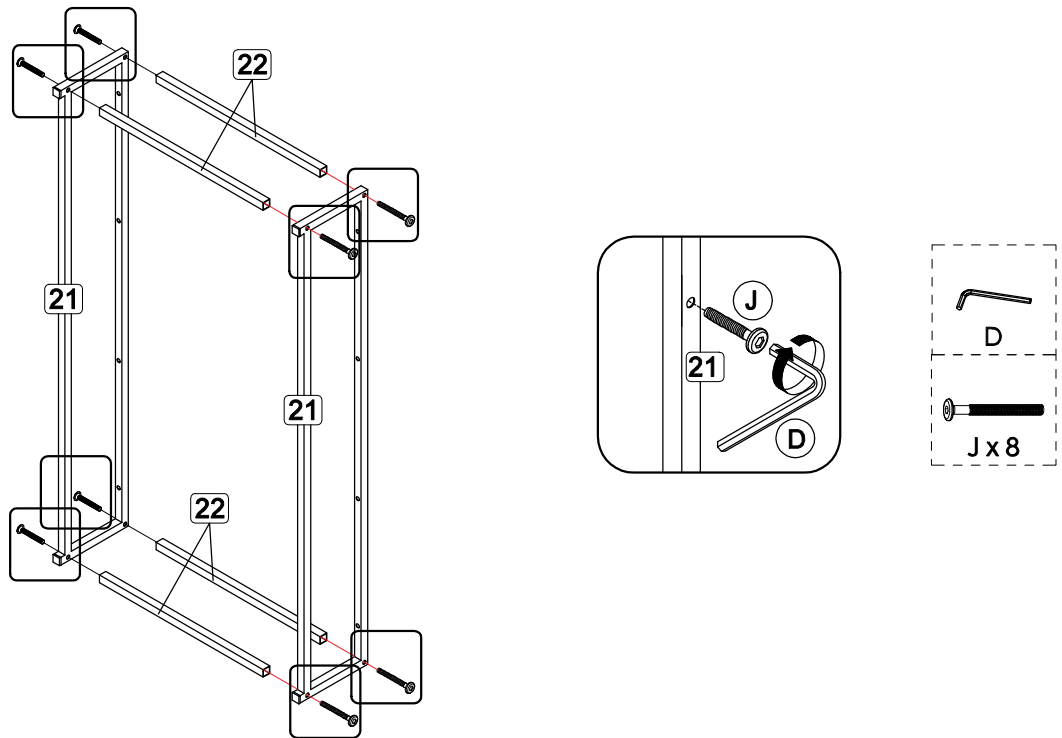


Step 10: Attach hardware K1 into top panel (1), bottom panel (2), side panel (3) and (4) using hardware K2 with a screwdriver (not provided).
DO NOT use any power tools as this may damage the frame and will invalidate any claim.



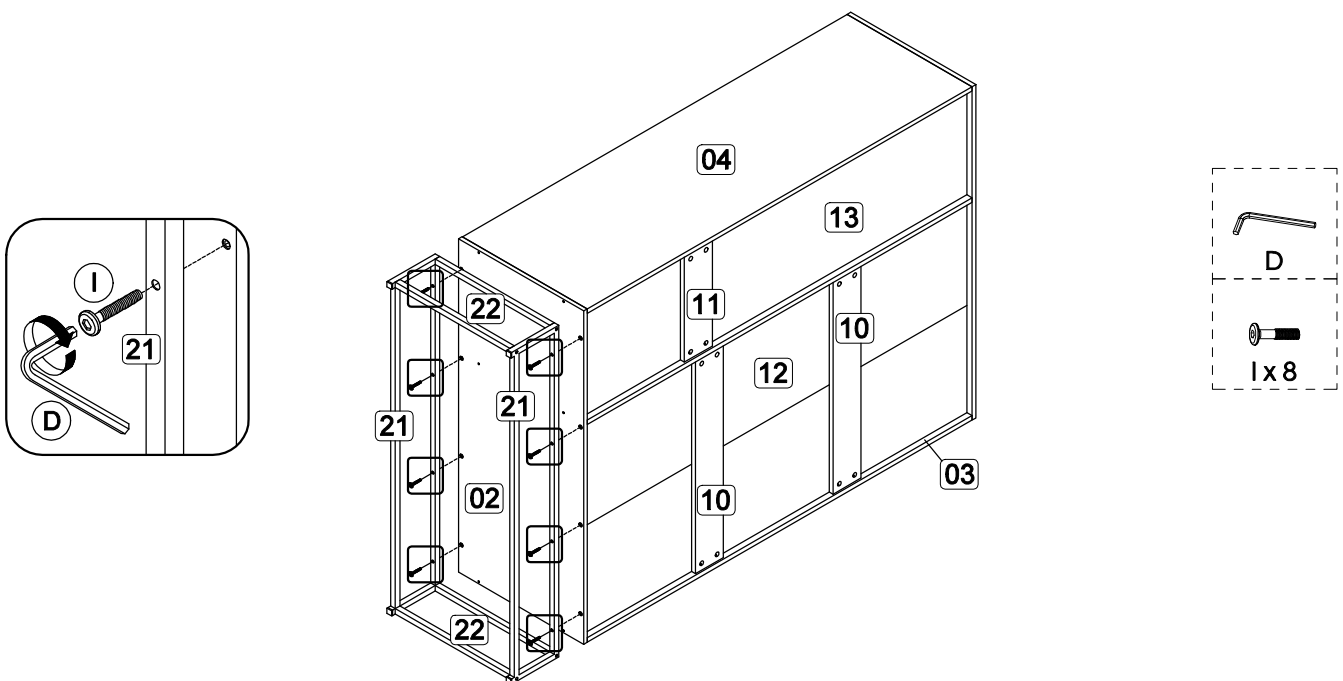
Step 11: Attach metal frame (21) to metal bone (22) using hardware D and J.

DO NOT use any power tools as this may damage the frame and will invalidate any claim.



Step 12: Attach metal frame (21) to bottom panel (2) using hardware D and I.

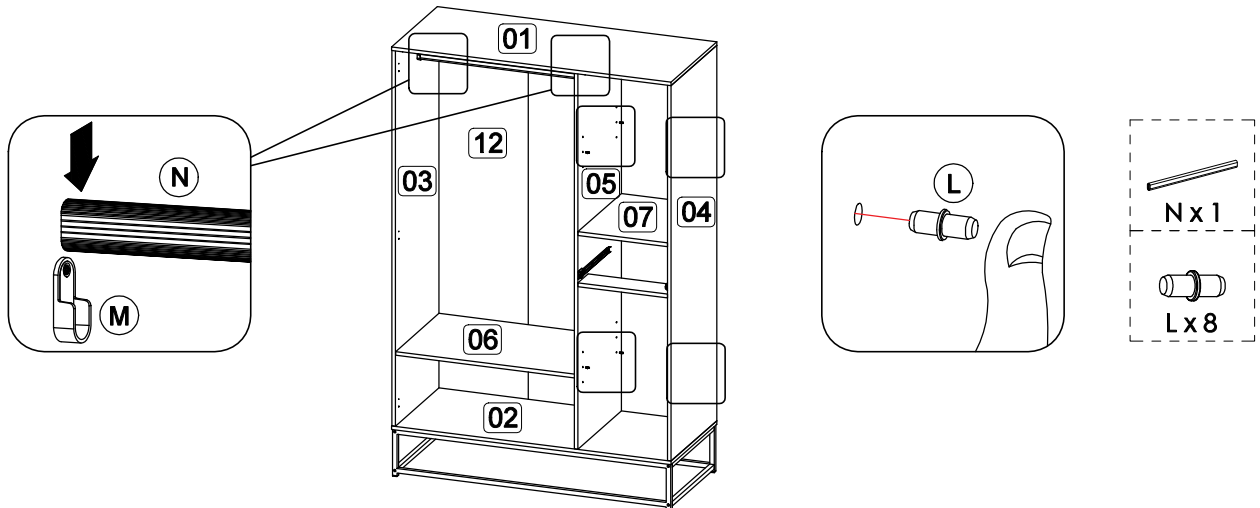
DO NOT use any power tools as this may damage the frame and will invalidate any claim.



Step 13: Attach hardware N into hardware M.

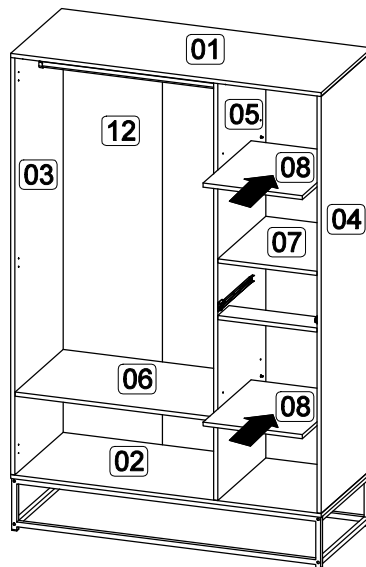
Insert hardware L into mounting positions on side panel (4) and center panel (5).

DO NOT use any power tools as this may damage the frame and will invalidate any claim.



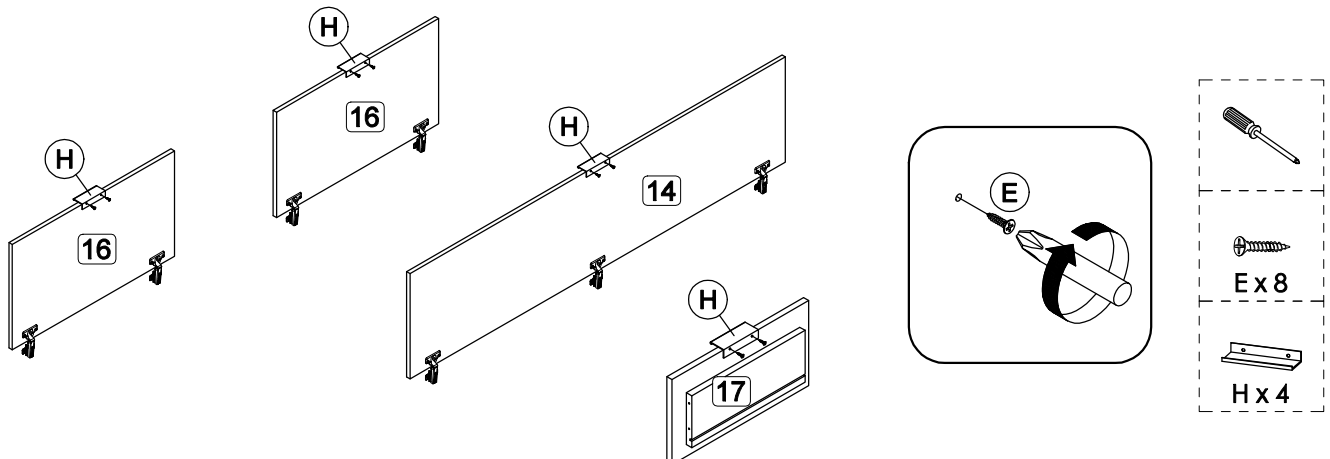
Step 14: Assemble shelf panel (8) between side panel (4) and center panel (5).

DO NOT use any power tools as this may damage the frame and will invalidate any claim.

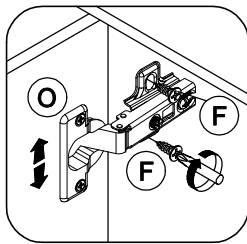


Step 15: Fix hardware H onto door panel (14), (16) and drawer front (17) using hardware E with a screwdriver (not provided).

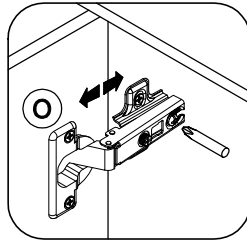
DO NOT use any power tools as this may damage the frame and will invalidate any claim.



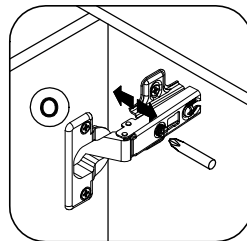
Step 16: Attach door panel (14), (15) and (16) to side panel (3), (4) and center panel (5) using hardware F with a screwdriver (not provided).
DO NOT use any power tools as this may damage the frame and will invalidate any claim.



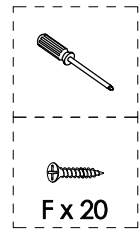
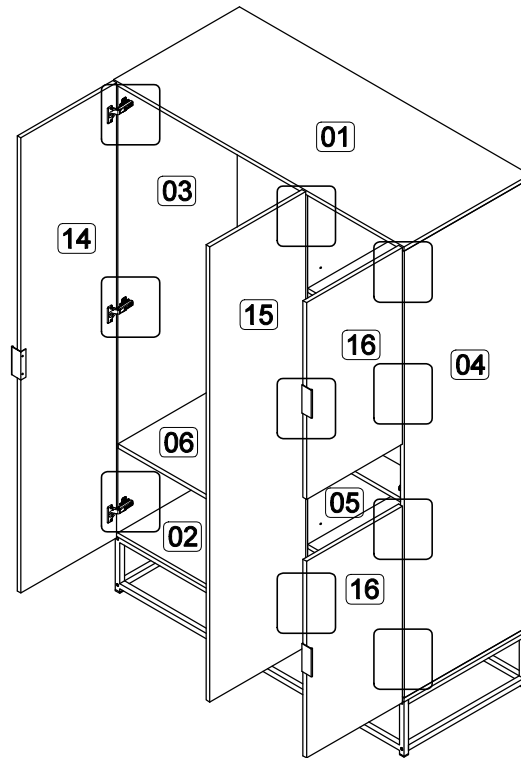
Vertical Adjustment



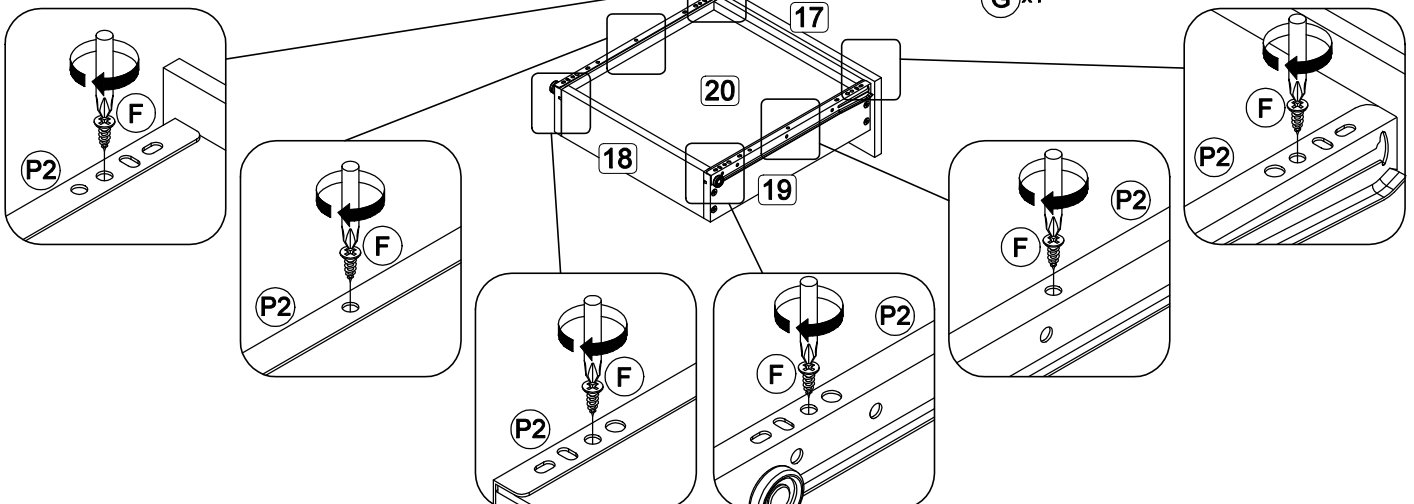
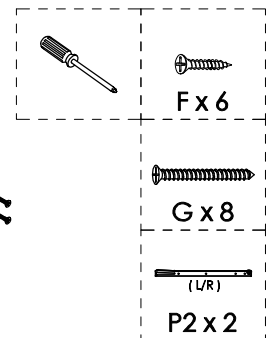
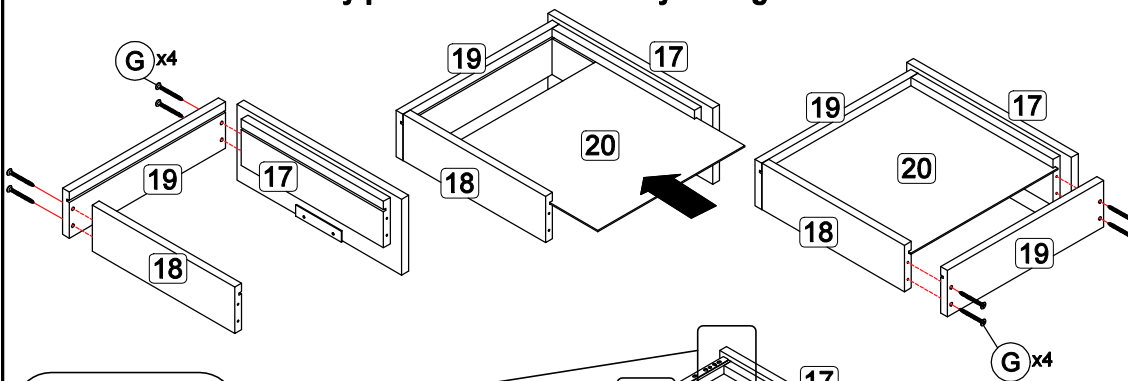
Horizontal Adjustment



Depth Adjustment

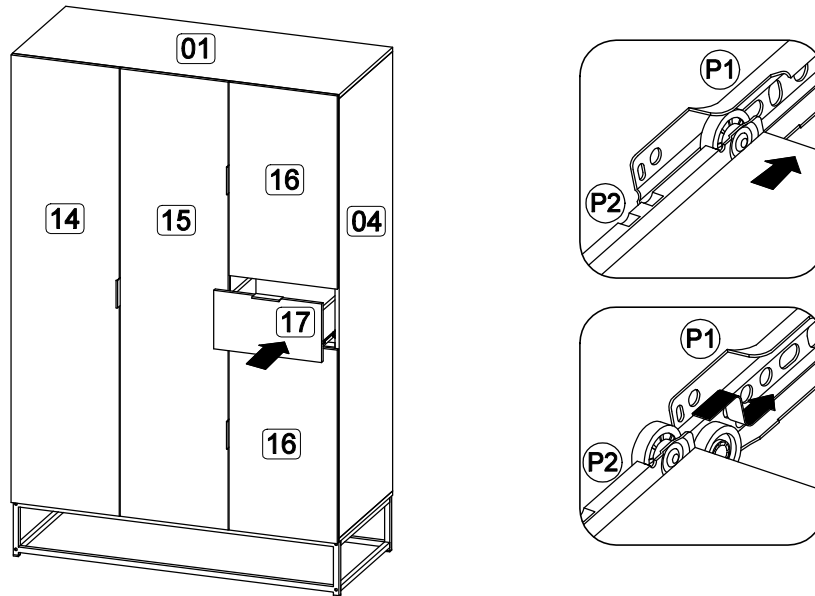


Step 17: Attach 1x drawer side (19) to the drawer front (17) and drawer back (18) using hardware G. Slide in the drawer bottom (20) and attach the other drawer side (19) using hardware G. Then attach the hardware part (P2) to the drawer sides (19) using hardware (F).
DO NOT use any power tools as this may damage the frame and will invalidate any claim.

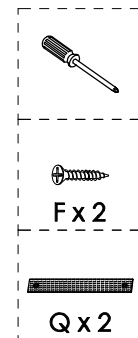
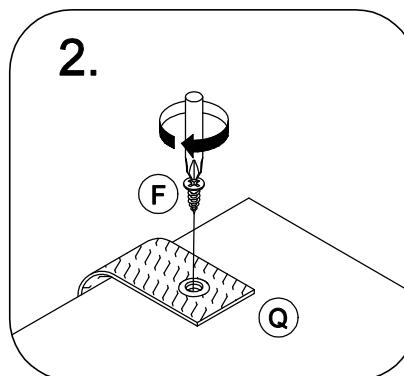
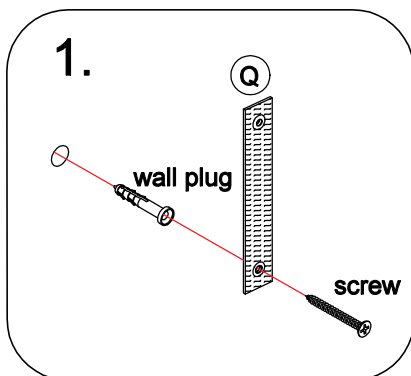


Step 18: Assemble the drawer in place along the drawer slides.

DO NOT use any power tools as this may damage the frame and will invalidate any claim.



Step 19: To secure the item to the wall use hardware Q, screw and wall plug using a screwdriver (not provided). Then attach hardware part Q to the panel (1) using hardware F with a screwdriver (not provided). **DO NOT use any power tools as this may damage the frame and will invalidate any claim.**



PLEASE NOTE that wall fixings are not supplied as different wall materials require different fixing devices. You must use fixings devices suitable for the type of wall you intend to mount product to. Ensure the head of any screw used has a diameter greater than the mounting hole and the fixing is safe and secure before use.

Birlea Furniture advise you use the hardware Q (2 pcs). These are provided to further enhance the safety of this product.

Additional Information:

- For complete product information, images and dimension diagrams please visit the website
- If you have any issues with your item please contact the retailer directly you purchased it from who will be able to resolve any issues with Birlea.
- Why don't you send us photos of your assembled furniture to be shared in our #birleahome feature on instagram.